



**XOU24WDZGS**

24" UNDERCOUNTER STAINLESS STEEL  
DUAL-ZONE WINE REFRIGERATOR

## 24" UNDERCOUNTER DUAL-ZONE WINE REFRIGERATOR



**XOU24WDZGS**

- Racks Fully Extend While Loaded
- Dual Zone
- Tri-Color LED Lighting
- Secure Lock For Each Door

## 24" UNDERCOUNTER DUAL-ZONE WINE REFRIGERATOR

Keep 16 bottles ready to serve in the upper zone at 41° to 50° while you store 30 bottles in the lower zone at 50° to 64°. This elegant, efficient wine storage and serving center is the perfect choice for convenient entertaining. Both red and white wines are close at hand with this quiet, undercounter unit. The XO Dual Zone Wine Refrigerator gives you the best of both worlds.

When it is all about the wine - it is all about XO.

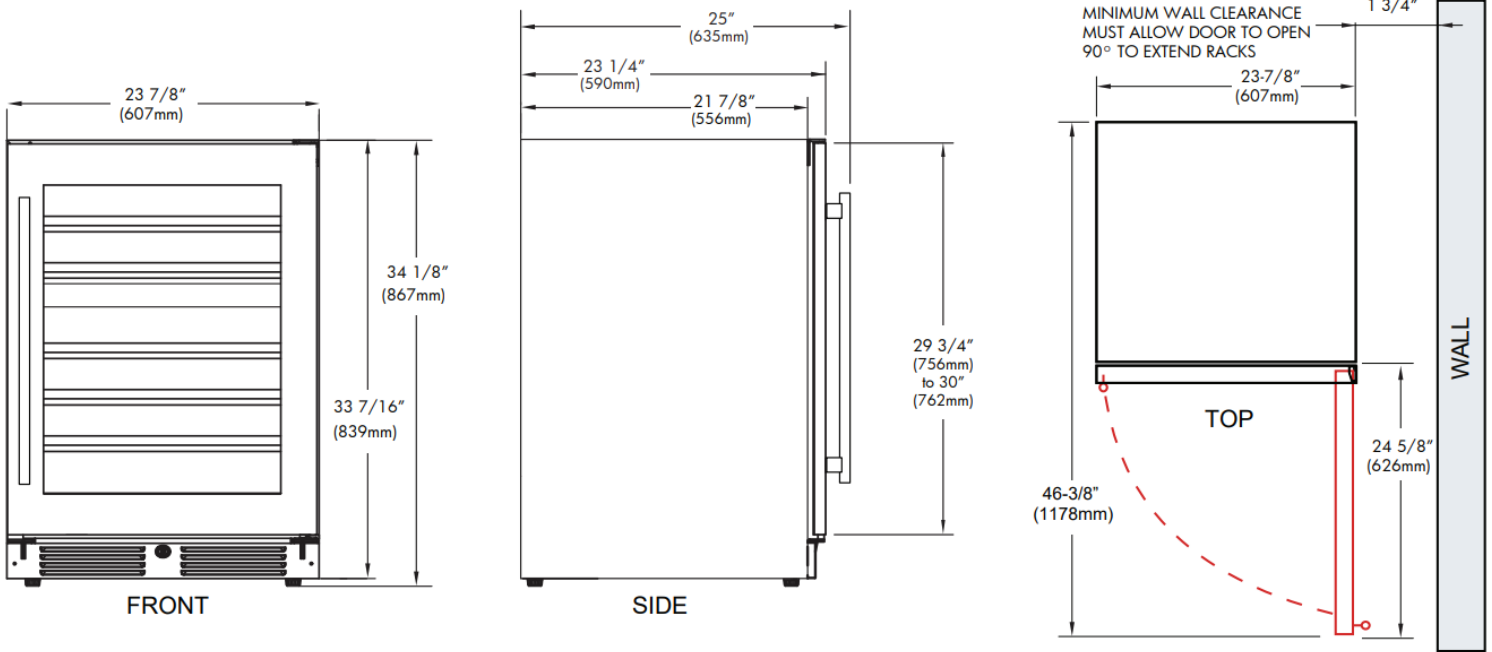
WORLD CLASS SERVICE | COMPREHENSIVE WARRANTIES

**OUR LASTING COMMITMENT TO YOU**

# XOU24WDZGS

## 24" STAINLESS STEEL DUAL-ZONE WINE REFRIGERATOR

\*Specify **R** for right hand hinge - or - **L** for left hand hinge



### FEATURES

### SPECIFICATIONS

#### CAPACITY

Full extension smooth glide racks hold:  
 (16) 750ml bottles upper section at 41° to 50° F  
 (30) 750ml bottles lower section at 50° to 64° F

#### FEATURES

- Zero clearance hinges for flush integration\*
- Secure door lock
- Non- reversible door - specify right or left hinge
- Library quiet 39 dBA operation
- Elegant tri-color interior illumination
- Intuitive digital touch controls
- 6-1/2' Power Cord with low profile 90 flat plug
- Low E Glass blocks harmful UV light
- Alarm Functions
- Energy Saver and Sabbath Mode

\* Note: zero clearance hinges are visible just above and below the door panel

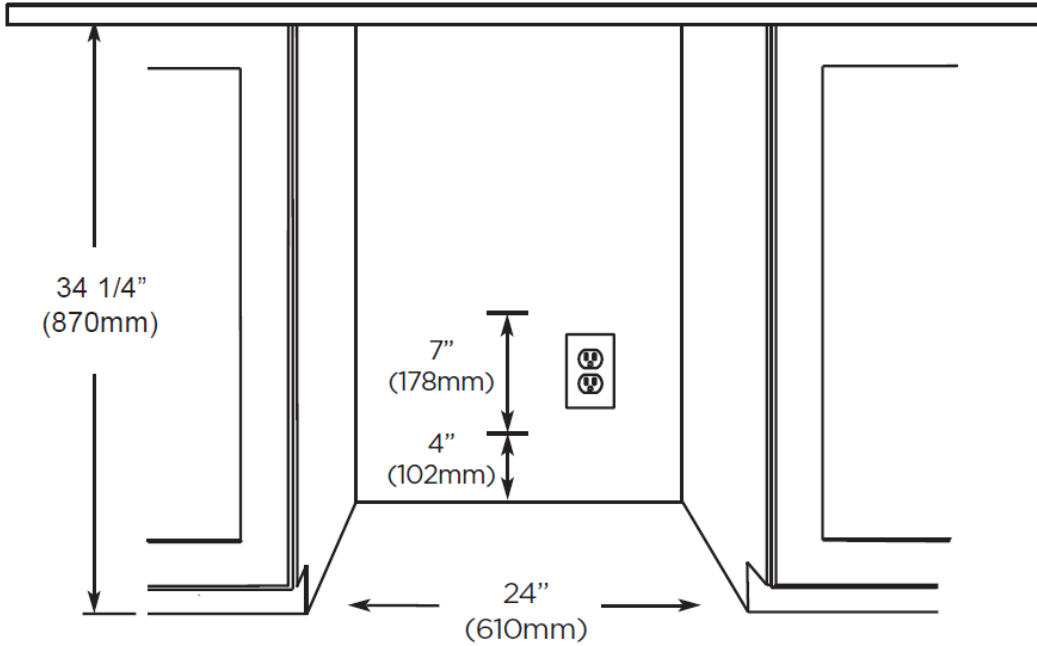
<b>ELECTRICAL</b>	120V 60HZ 4.35 AMP*
<b>DIMENSIONS</b>	H 34 1/8" W 23 7/8" D 23 1/4"
<b>ROUGH IN</b>	H 34 1/4" min W 24" D 24"
<b>REFRIGERANT</b>	R600A
<b>WEIGHT</b>	149 lbs



Two Different Style  
Handles Included



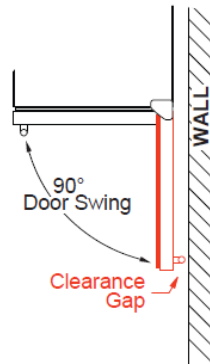
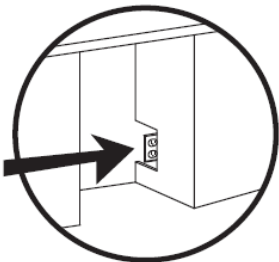
### ROUGH IN DIMENSIONS



ALL XO UNDERCOUNTER  
UNITS ARRIVE PRE-WIRED  
WITH LOW PROFILE PLUGS  
FOR EASY INSTALLATION



NEED MORE SPACE -  
CUT INTO AN ADJOINING  
CABINET TO REACH AN  
OUTLET THERE



WHEN INSTALLING WITH  
THE HINGE SIDE NEXT TO A WALL -  
LEAVE 1-3/4" CLEARANCE GAP FOR  
CABINET HANDLES

DOOR MUST BE ABLE TO OPEN  
A MINIMUM OF 90°.

CONSULT THE MANUAL FOR  
INSTRUCTIONS ON CHANGING  
THE DOOR STOP SETTING.