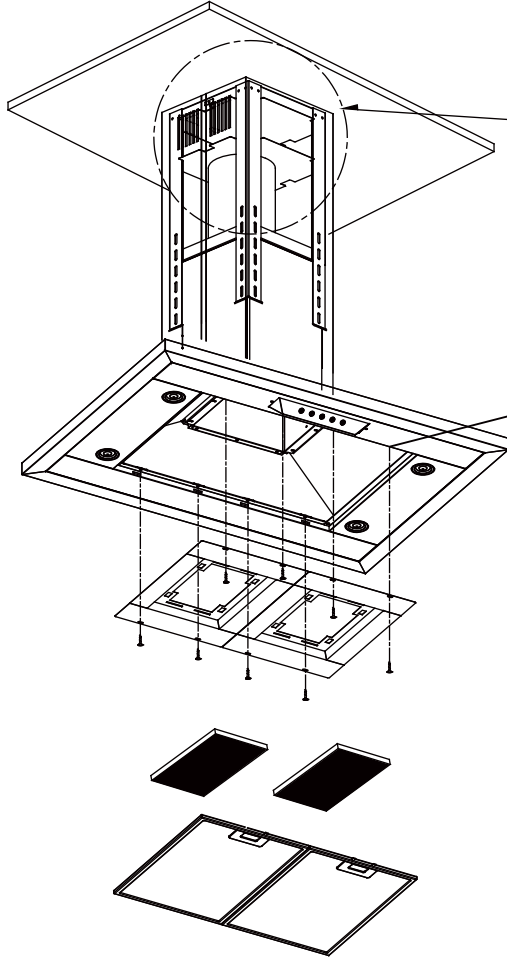


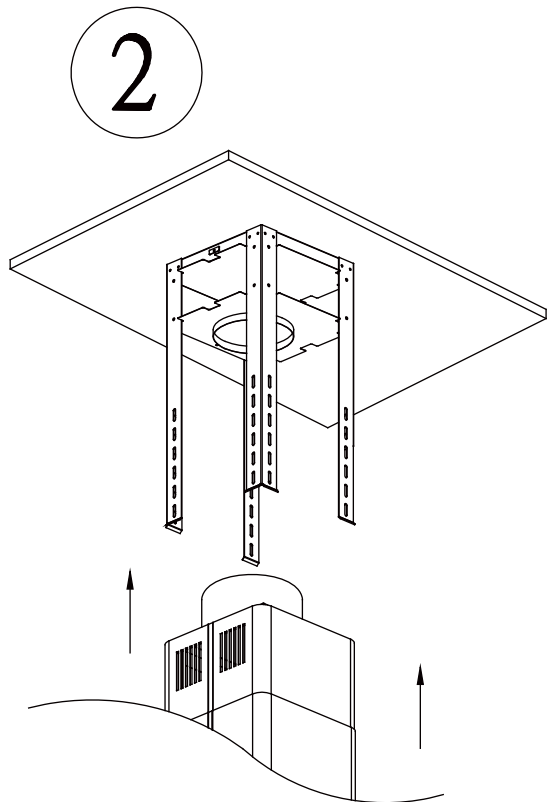
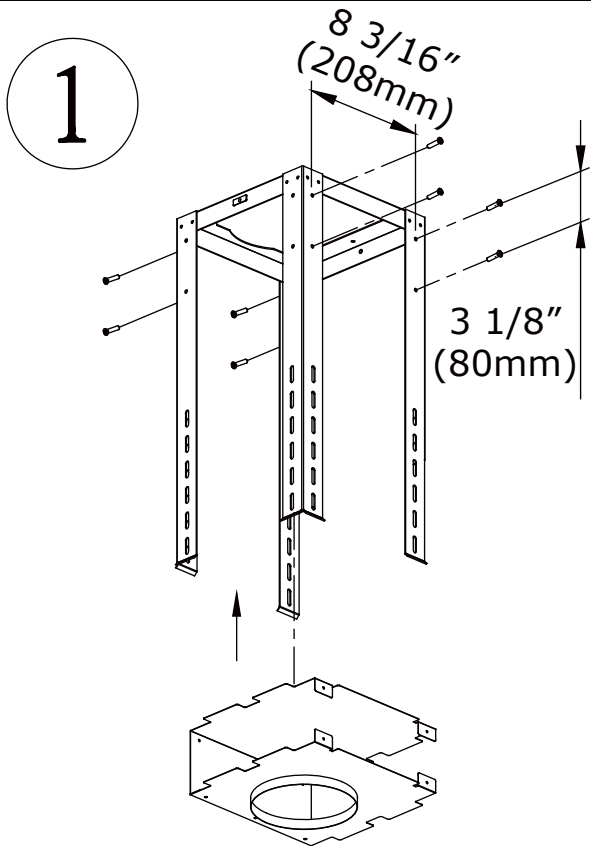
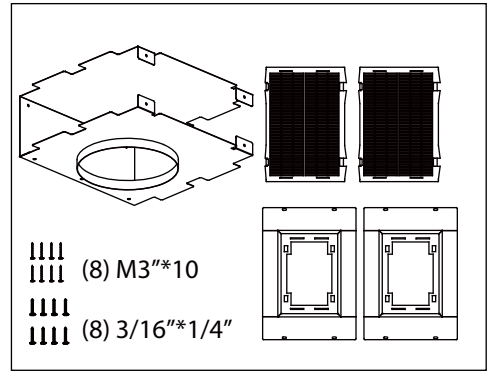
## ZRC-00AZ

For use with models : ZAZ-M90AS,ZAZ-M90BS



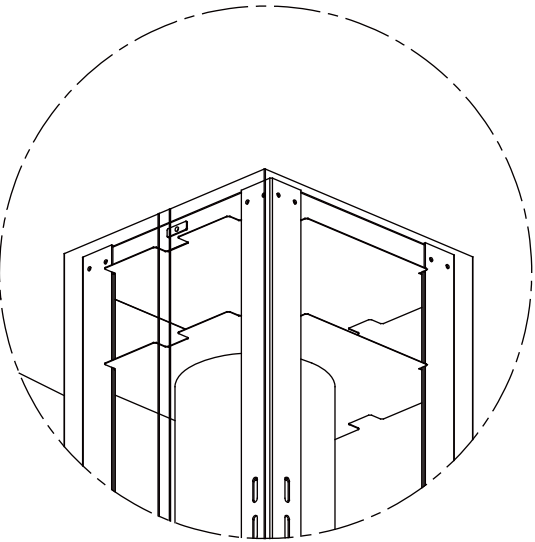
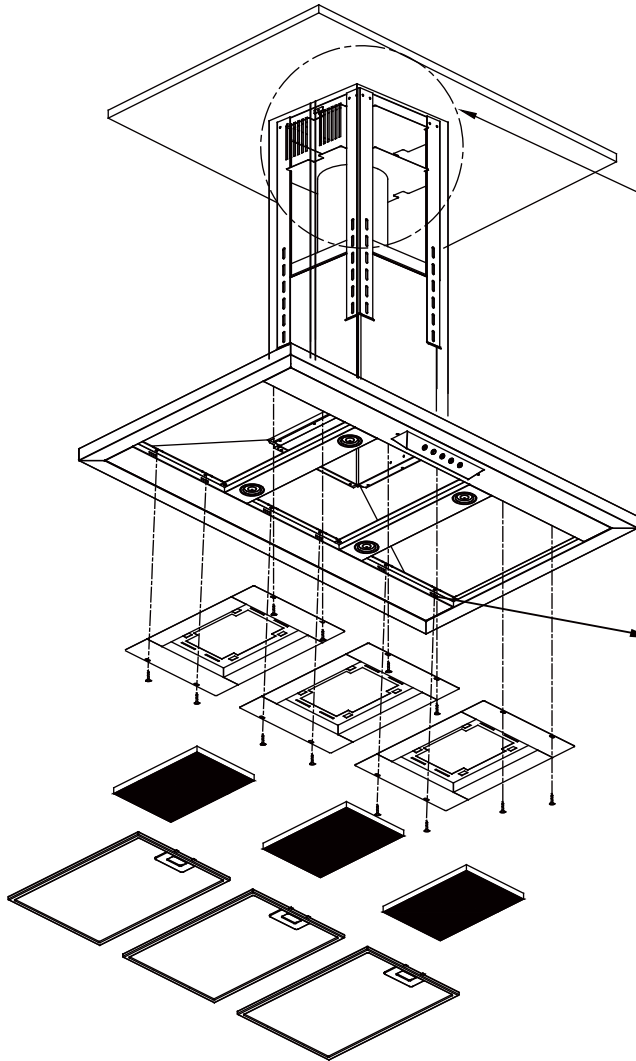
Remove all black foam from filter opening before installing the charcoal filter brackets.

### INCLUDED MATERIAL



## ZRC-01AZ

For use with models : ZAZ- E42AS,ZAZ-E42BS



Remove all black foam from filter opening before installing the charcoal filter brackets.

### LIST OF MATERIALS

