

ZEPHYR

WWW.ZEPHYRONLINE.COM

Savona

ZSA-E30FB, ZSA-E30FW,
ZSA-E30FS, ZSA-E30FBS,
ZSA-M90FB, ZSA-M90FW,
ZSA-M90FS, ZSA-M90FBS

Anzio

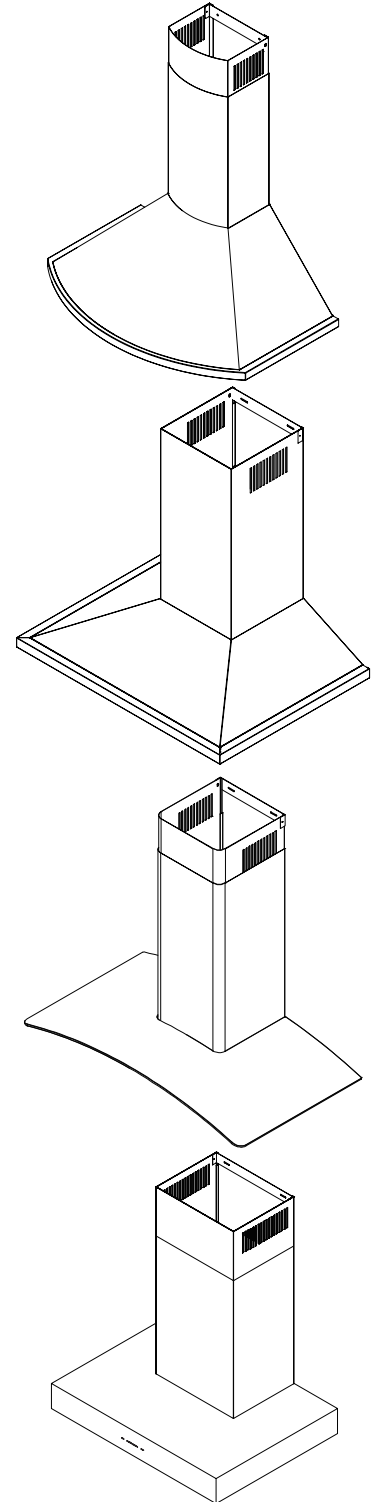
ZAN-E24DS, ZAN-E30DS,
ZAN-E30DBS, ZAN-M90DS
ZAN-M90DBS

Ravenna

ZRV-E30CGC, ZRV-E30CGG,
ZRV-E30CBSGG, ZRV-M90CGC,
ZRV-M90CGG, ZRV-M90CBSGG

Roma

ZRO-E30FS, ZRO-M90FS



EN Use, Care, and Installation Guide

FR Guide d'utilisation, d'entretien et d'installation

ACT™
Airflow Control Technology

c UL US LISTED

	Page
Safety Information	4-6
Types of Safety Warnings.....	4
General Safety	4-5
Operation	6
Electrical Requirements	6
Federal Communication Commission Interface Statement	6
List of Materials.....	7
Installation Instructions.....	8-19
Ducting Calculation Sheet.....	8
Mounting Height, Clearance, & Ducting	9
Ducting Options	10
ZSA Hood Specifications	11
ZAN Hood Specifications	12
ZRV Hood Specifications.....	13
ZRO Hood Specifications.....	14
Electrical Supply.....	15
Cable Lock	15
Mounting the Hood.....	16-17
Ductless Recirculation	17
Recirculating Kit Installation	17-18
Features & Controls.....	19-22
ICON Touch Controls.....	19-20
Optional Remote Control.....	21-22
Maintenance	23-24
Hood & Filter Cleaning.....	23-24
LumiLight LED	24
ACT™ Conversion.....	25-26
Airflow Control Technology (ACT™)	25
Enabling ACT™	26
Wiring Diagram	27
Troubleshooting.....	28-29
List of Parts & Accessories	30
Limited Warranty	31
Product Registration.....	32

Safety Information

READ AND SAVE THESE INSTRUCTIONS

Your safety and the safety of others are very important. We have provided many important safety messages in this manual for your appliance. Always read and obey all safety messages.



This is the Safety Alert Symbol. This symbol alerts you to potential hazards that can cause severe bodily injury or death. All safety messages will follow the Safety Alert Symbol and either the words **“DANGER”**, **“WARNING”** or **“CAUTION”**



General Safety



WARNING - TO REDUCE THE RISK OF FIRE, ELECTRIC SHOCK, OR INJURY TO PERSONS, OBSERVE THE FOLLOWING:

- Use this unit only in the manner intended by the manufacturer. If you have questions, contact the manufacturer.
- Before servicing or cleaning unit, switch power off at service panel and lock the service disconnecting means to prevent power from being switched on accidentally. When the service disconnecting means cannot be locked, securely fasten a prominent warning device, such as a tag, to the service panel.



WARNING - TO REDUCE THE RISK OF A RANGE TOP GREASE FIRE:

- Never leave surface units unattended at high settings. Boilovers cause smoking and greasy spillovers that may ignite. Heat oils slowly on low or medium settings.
- Always turn hood ON when cooking at high heat or when flambeing food. (i.e. Crepes Suzette, Cherries Jubilee, Peppercorn Beef Flambe’).
- Clean ventilating fans frequently. Grease should not be allowed to accumulate on fan or filter.
- Use proper pan size. Always use cookware appropriate for the size of the surface element.

READ AND SAVE THESE INSTRUCTIONS



WARNING - TO REDUCE THE RISK OF INJURY TO PERSONS IN THE EVENT OF A RANGE TOP GREASE FIRE, OBSERVE THE FOLLOWING^o:

- a) SMOTHER FLAMES with a close-fitting lid, cookie sheet, or metal tray, then turn off the burner. BE CAREFUL TO PREVENT BURNS. If the flames do not go out immediately, EVACUATE AND CALL THE FIRE DEPARTMENT.
- b) NEVER PICK UP A FLAMING PAN – You may be burned.
- c) DO NOT USE WATER, including wet dishcloths or towels – a violent steam explosion will result.
- d) Use an extinguisher ONLY if:
 - 1) You know you have a Class ABC extinguisher, and you already know how to operate it.
 - 2) The fire is small and contained in the area where it started.
 - 3) The fire department is being called.
 - 4) You can fight the fire with your back to an exit

^oBased on “Kitchen Firesafety Tips” published by NFPA.



WARNING - TO REDUCE THE RISK OF FIRE, ELECTRIC SHOCK, OR INJURY TO PERSONS, OBSERVE THE FOLLOWING:

- a) Installation work and electrical wiring must be done by qualified person(s) in accordance with all applicable codes and standards, including fire-rated construction.
- b) Sufficient air is needed for proper combustion and exhausting of gases through the flue (chimney) of fuel burning equipment to prevent back drafting. Follow the heating equipment manufacturer’s guideline and safety standards such as those published by the National Fire Protection Association (NFPA), and the American Society for Heating, Refrigeration and Air Conditioning Engineers (ASHRAE), and the local code authorities.
- c) When cutting or drilling into wall or ceiling, do not damage electrical wiring and other hidden utilities.
- d) Ducted fans must always be vented to the outdoors.
- e) If this unit is to be installed over a tub or shower, it must be marked as appropriate for the application and be connected to a GFCI (Ground Fault Circuit Interrupter) - protected branch circuit.



READ AND SAVE THESE INSTRUCTIONS

Operation

- ▶ Always leave safety grilles and filters in place. Without these components, operating blowers could catch onto hair, fingers and loose clothing.
- ▶ The manufacturer declines all responsibility in the event of failure to observe the instructions given here for installation, maintenance and suitable use of the product. The manufacturer further declines all responsibility for injury due to negligence and the warranty of the unit automatically expires due to improper maintenance.

NOTE: Please check www.zephyronline.com for revisions before doing any custom work.

Electrical Requirements

Important:

- ▶ Observe all governing codes and ordinances.
- ▶ It is the customer's responsibility to be aware of these below:
- ▶ To contact a qualified electrical installer.
- ▶ To assure that the electrical installation is adequate and in conformance with National Electrical Code, ANSI/NFPA 70 latest edition* or CSA standards C22.1-94, Canadian Electrical Code, Part 1 and C22.2 No.0-M91 - latest edition** and all local codes and ordinances.
- ▶ If codes permit and a separate ground wire is used, it is recommended that a qualified electrician determine that the ground path is adequate.
- ▶ Do not ground to a gas pipe.
- ▶ Check with a qualified electrician if you are not sure the range hood is properly grounded.
- ▶ Do not have a fuse in the neutral or ground circuit.
- ▶ This appliance requires a 120V 60Hz electrical supply and connected to an individual properly grounded branch circuit protected by a 15 or 20 ampere circuit breaker or time delay fuse. Wiring must be 2 wire with ground. Please also refer to Electrical Diagram on product.
- ▶ A cable locking connector (not supplied) might also be required by local codes. Check with local requirements, purchase and install appropriate connector if necessary.

* National Fire Protection Association Batterymarch Park, Quincy, Massachusetts 02269

** CSA International 8501 East Pleasant Valley Road, Cleveland, Ohio 44131-5575

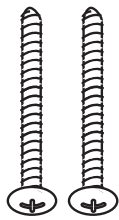
Federal Communication Commission Interface Statement

- ▶ This equipment has been tested and found to comply with the limits for a Class B digital device, pursuant to Part 15 of the FCC Rules. These limits are designed to provide reasonable protection against harmful interference in a residential installation.
- ▶ This equipment generates, uses and can radiate radio frequency energy and, if not installed and used in accordance with the instructions, may cause harmful interference to radio communications. However, there is no guarantee that interference will not occur in a particular installation. If this equipment does cause harmful interference to radio or television reception, which can be determined by turning the equipment off and on, the user is encouraged to try to correct the interference by one of the following measures:
- ▶ Reorient or relocate the receiving antenna.
- ▶ Increase the separation between the equipment and receiver.
- ▶ Connect the equipment into an outlet on a circuit different from that to which the receiver is connected.
- ▶ Consult the dealer or an experienced radio/TV technician for help.

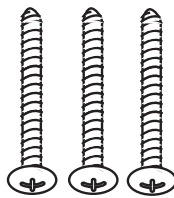
Parts Supplied

Quantity	Part
1	Hood with internal blower
1	Duct cover wall bracket
1	Duct cover assembly (top and bottom)
2	Aluminum mesh filters (ZRV x 1)
2	LumiLight LED (pre-installed) (ZAN-E24DS x 1)
1	6" round backdraft damper (pre-installed)
1	Hardware package

(2) M6 x 1-1/2"



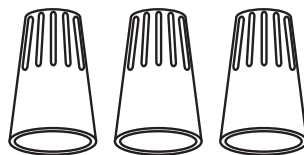
(3) M6 x 1"



(2) M4 x 8



(3) Wire Nuts



(4) 3/16 x 1/4 pan-head machine screws (ZRV ONLY)



Parts Not Supplied

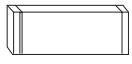

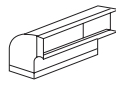
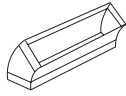
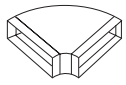

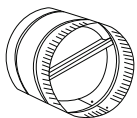


Ducting, conduit and all installation tools
Cable locking connector (if required by local codes)
Extension duct covers
Optional recirculating kit
Optional remote control

Installation Instructions

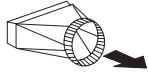
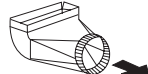
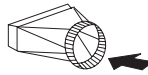
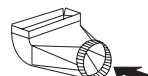
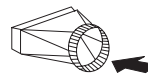
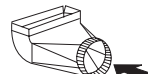
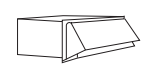
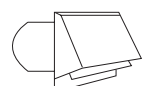

ZSA, ZAN, ZRV, ZRO

WALL

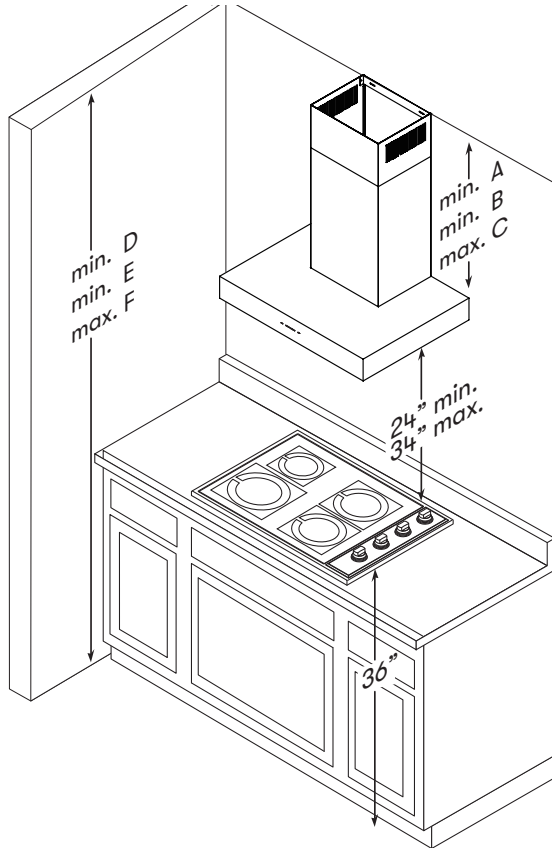
Ducting Calculation Sheet

Duct pieces		Equivalent number length x used =	Total
	3-1/4" x 10" Rect., straight	1 Ft. x () =	Ft.
	6", 7", 8", 10" Round, straight	1 Ft. x () =	Ft.
	3-1/4" x 10" Rect. 90° elbow	15 Ft. x () =	Ft.
	3-1/4" x 10" Rect. 45° elbow	9 Ft. x () =	Ft.
	3-1/4" x 10" Rect. 90° flatelbow	24 Ft. x () =	Ft.
	7" to 6" or 8" to 7" Round tapered reducer	25 Ft. x () =	Ft.
	6", 7", 8" Round in-line damper	15 Ft. x () =	Ft.
	6", 7", 8", 10" Round, 90° elbow	15 Ft. x () =	Ft.
	6", 7", 8", 10" Round, 45° elbow	9 Ft. x () =	Ft.
Subtotal column 1 =			Ft.

Maximum Duct Length: For satisfactory air movement, the total duct length should not exceed 150 equivalent feet.

Duct pieces		Equivalent number length x used =	Total
	3-1/4" x 10" Rect. to 6" round transition	5 Ft. x () =	Ft.
	3-1/4" x 10" Rect. to 6" round transition 90° elbow	20 Ft. x () =	Ft.
	6" round to 3-1/4" x 10" rect. transition	1 Ft. x () =	Ft.
	6" round to 3-1/4" x 10" rect. transition 90° elbow	16 Ft. x () =	Ft.
	7" round to 3 1/4" x 10" rect. transition	8 Ft. x () =	Ft.
	7" round to 3-1/4" x 10" rect. transition 90° elbow	23 Ft. x () =	Ft.
	3-1/4" x 10" Rect. wall cap with damper	30 Ft. x () =	Ft.
	6", 7", 8", 10" Round, wall cap with damper	30 Ft. x () =	Ft.
	6", 7", 8", 10" Round roof cap	30 Ft. x () =	Ft.
Subtotal column 2 =			Ft.
Subtotal column 1 =			Ft.
Total ductwork =			Ft.

Mounting Height, Clearance, & Ducting



A minimum of 6” round duct must be used to maintain maximum air flow efficiency.

Always use rigid type metal ducts only. Flexible ducts could restrict air flow by up to 50%.

Also use calculation (on page 8) to compute total available duct run when using elbows, transitions and caps.

ALWAYS, when possible, reduce the number of transitions and turns. If long duct run is required, increase duct size.

If turns or transitions are required; install as far away from hood duct output and as far apart, between the two as possible.

Minimum mount height between range top to hood bottom should be no less than 24”. Maximum mount height should be no higher than 34”.

It is important to install the hood at the proper mounting height. Hoods mounted too low could result in heat damage and fire hazard; while hoods mounted too high will be hard to reach and will lose its performance and efficiency.

If available, also refer range manufacturer’s height clearance requirements and recommended hood mounting height above range.

- A : Minimum Ducted Hood Height
- B : Minimum Recirculating Hood Height
- C : Maximum Hood Height
- D : Minimum Ducted Ceiling Height
- E : Minimum Recirculating Ceiling Height
- F : Maximum Ceiling Height

Standard Duct Cover

	ZAN	ZSA	ZRV	ZRO
A	27”	29”	23”	26-1/2”
B	31”	32”	27-1/2”	30-1/2”
C	48-1/2”	45”	42-1/2”	47-1/2”
D	87” (7’3”)	89” (7’5”)	83” (6’11”)	86-1/2” (7’2-1/2”)
E	91” (7’7”)	92” (7’8”)	87-1/2” (7’3-1/2”)	90-1/2” (7’6-1/2”)
F	118-1/2” (9’10-1/2”)	115” (9’7”)	112-1/2” (9’4-1/2”)	117-1/2” (9’9-1/2”)

Extension Duct Cover

	ZAN	ZSA	ZRV	ZRO
A	43”	45-1/2”	41”	41”
B	47”	50”	46”	45”
C	81”	80”	80”	77”
D	103” (8’7”)	107-1/2” (8’11-1/2”)	101” (8’5”)	101” (8’5”)
E	107” (8’11”)	110” (9’2”)	106” (8’10”)	105” (8’9”)
F	151” (12’7”)	150” (12’6”)	150” (12’6”)	147” (12’3”)

For shipment and installation damages:


- ▶ Please fully inspect unit for damage before installation.
- ▶ If the unit is damaged in shipment, return the unit to the store in which it was bought for repair or replacement.
- ▶ If the unit is damaged by the customer, repair or replacement is the responsibility of the customer.
- ▶ If the unit is damaged by the installer (if other than the customer), repair or replacement must be made by arrangement between customer and installer.

Installation Instructions


ZSA, ZAN, ZRV, ZRO

WALL

Ducting Options

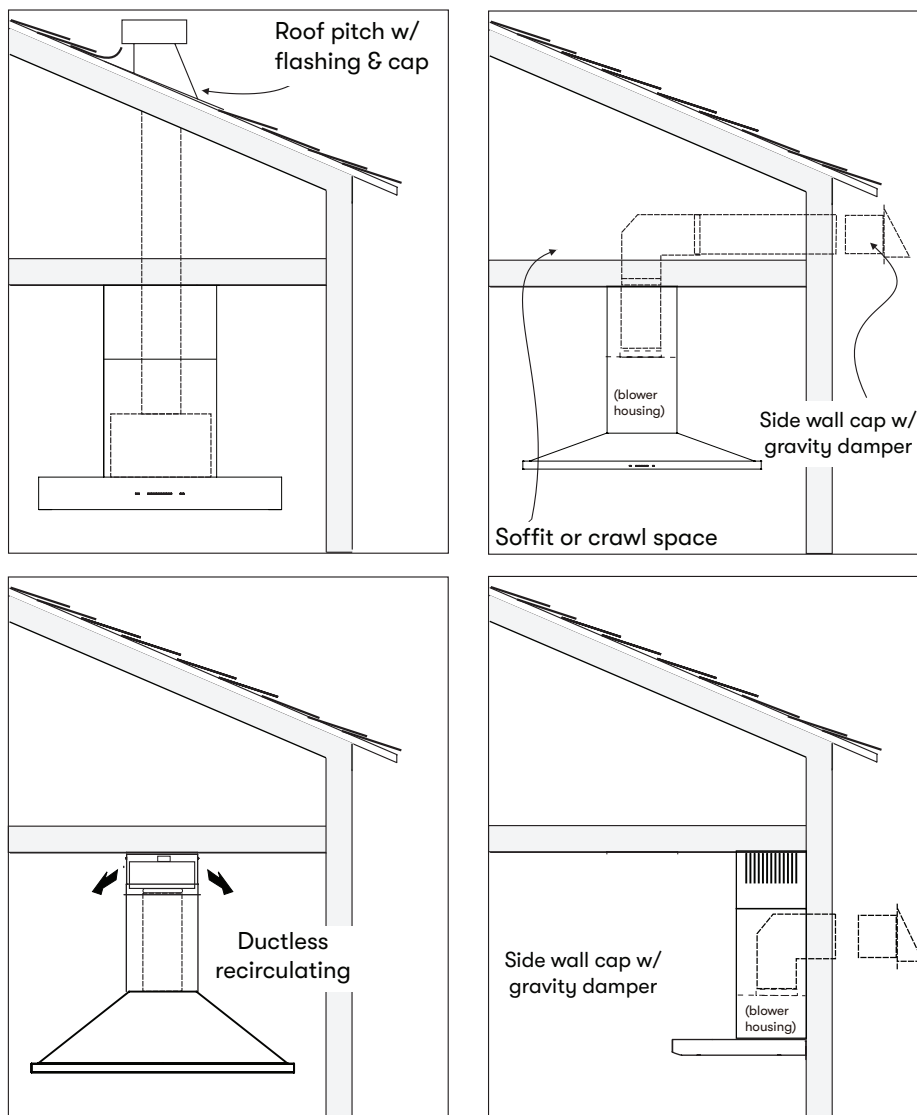


WARNING

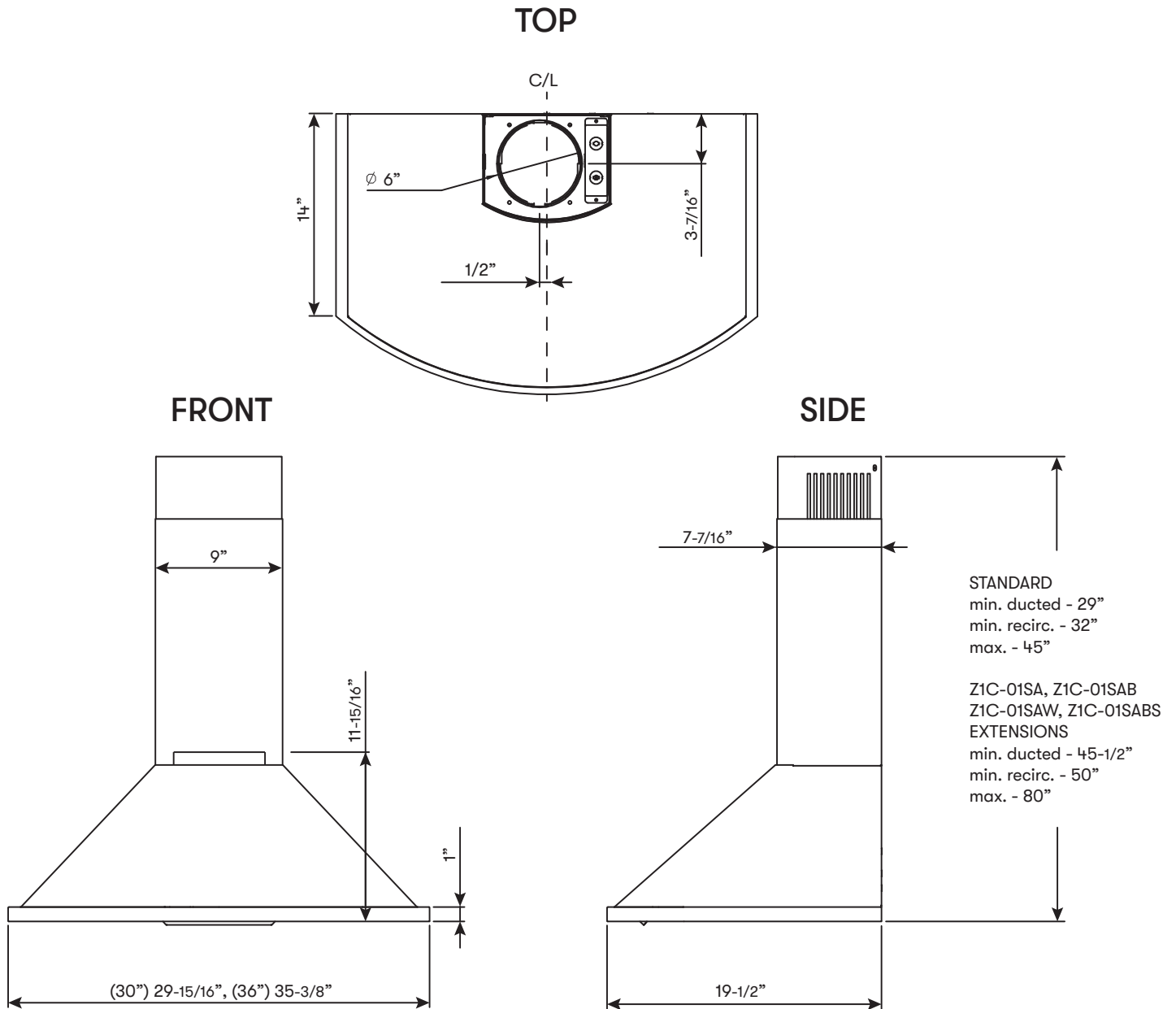


Fire Hazard: NEVER exhaust air or terminate ductwork into spaces between walls, crawl spaces, ceilings, attics, or garages. All exhaust must be ducted to the outside, unless using the recirculating option.

- ▶ Use single wall rigid metal ductwork only.
- ▶ Fasten all connections with sheet metal screws and tape all joints w/ certified Silver Tape or Duct Tape.



ZSA Hood Specifications



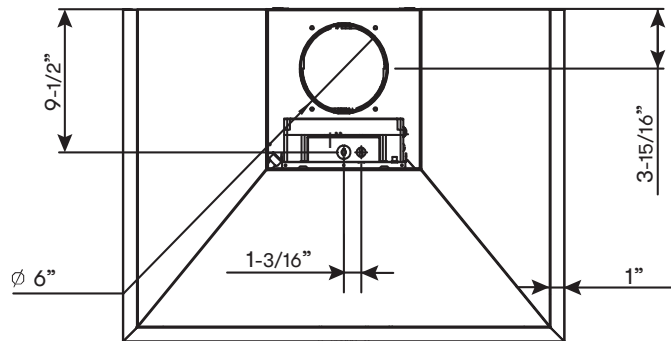
Installation Instructions

ZSA, ZAN, ZRV, ZRO

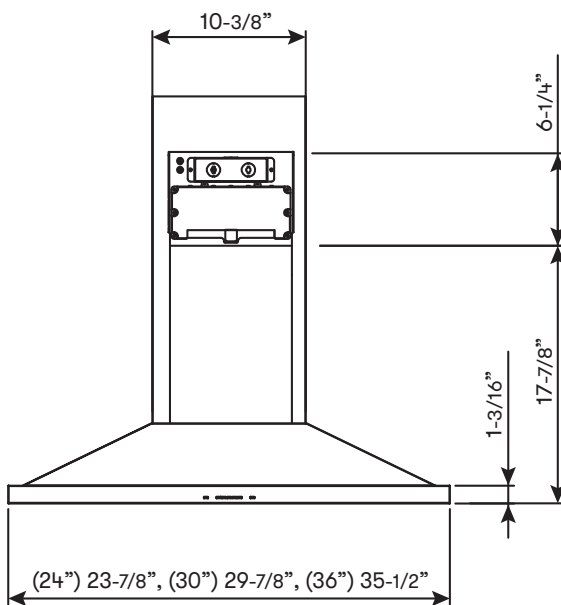
WALL

ZAN Hood Specifications

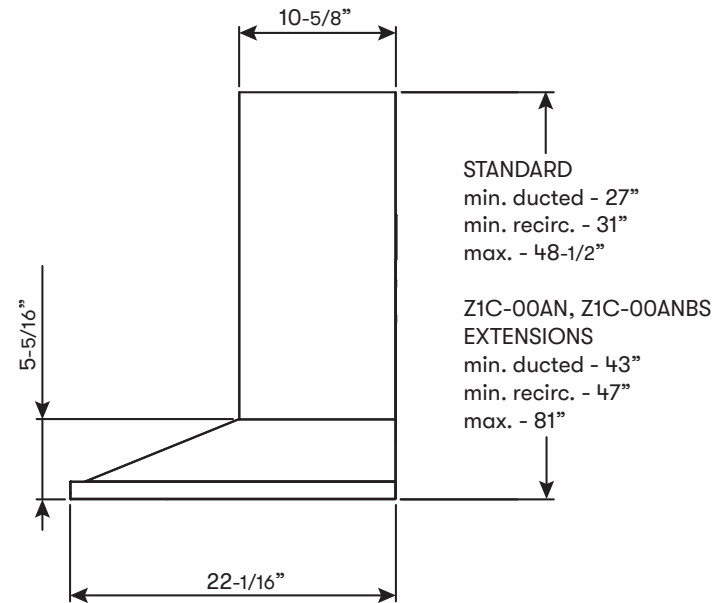
TOP



FRONT

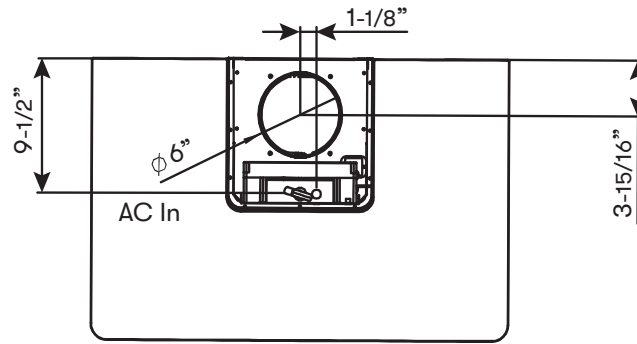


SIDE

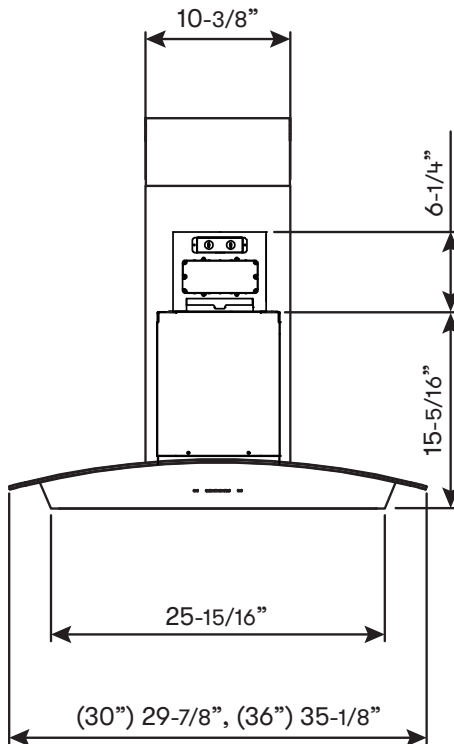


ZRV Hood Specifications

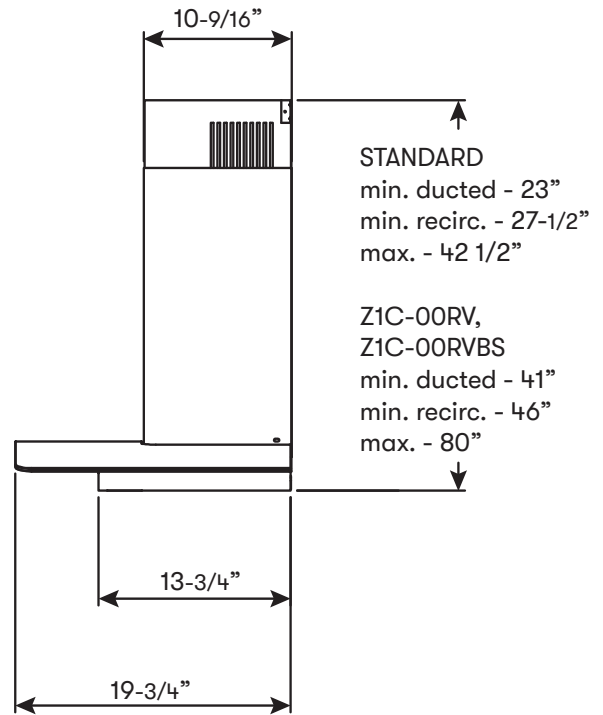
TOP



FRONT



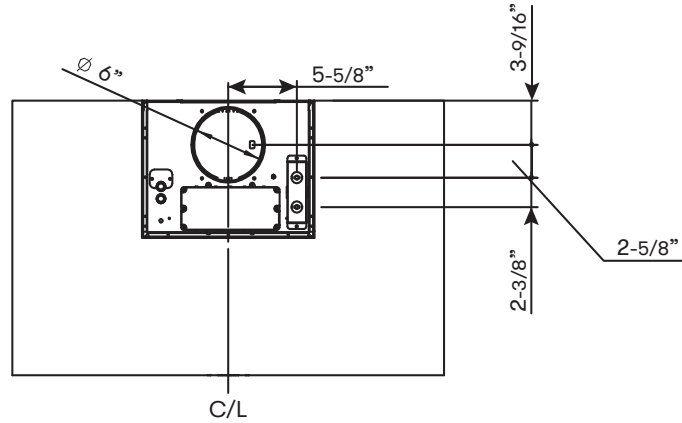
SIDE



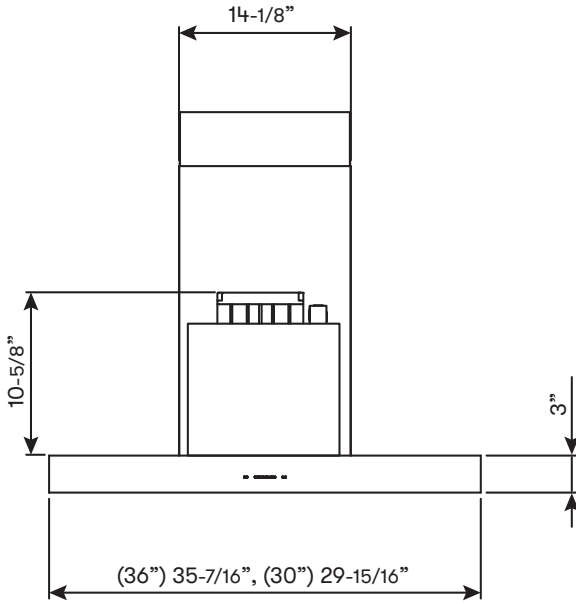
Installation Instructions

ZRO Hood Specifications

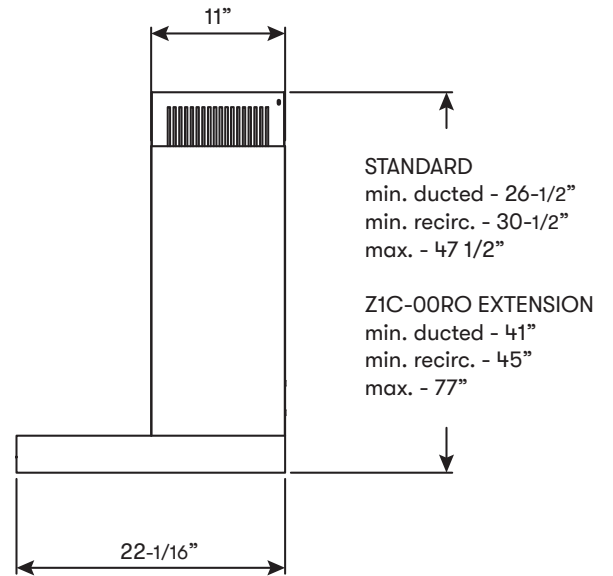
TOP



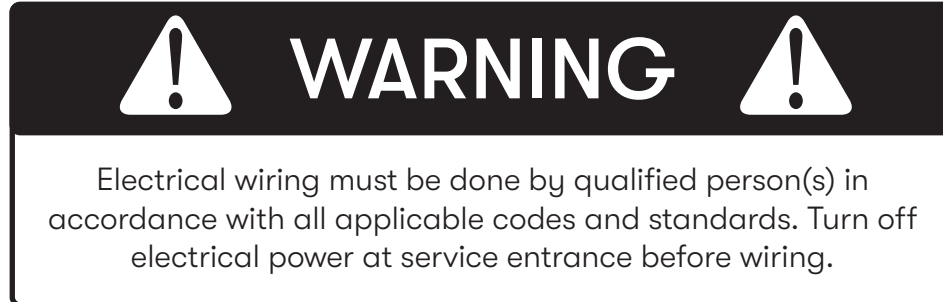
FRONT



SIDE



Electrical Supply



For personal safety, remove house fuse or open circuit breaker before beginning installation. Do not use extension cord or adapter plug with this appliance.

Follow national electrical codes or prevailing local codes and ordinances.

This appliance requires a 120V 60Hz electrical supply, and connected to an individual, properly grounded branch circuit, protected by a 15 or 20 ampere circuit breaker or time delay fuse. Wiring must be 2 wire w/ ground. Please also refer to the Electrical Diagram labeled on product.

Cable Lock

A cable locking connector (not supplied) might be required by local codes. Check with local requirements and codes, purchase and install appropriate connector if necessary. (FIG. A)

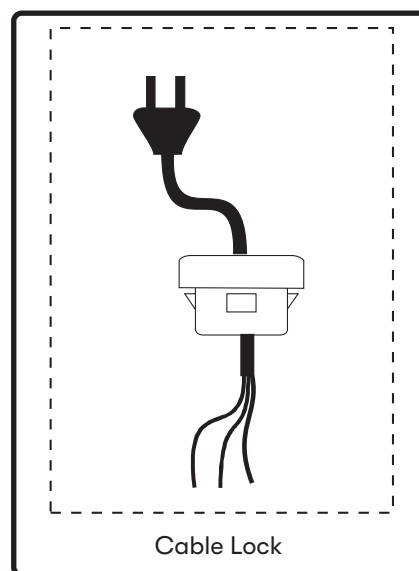


FIG. A

Installation Instructions

ZSA, ZAN, ZRV, ZRO

WALL

Mounting the Hood



CAUTION

At least two installers are required due to the weight and size of the hood.

1. Measure from range top to hood bottom and mark line A (24" minimum from range top).
2. Plum and mark center line.
3. Mark hood height line B.
ZAN : 18-7/16" from line A
ZSA : 9-1/2" from line A
ZRV : 15-7/8" from line A
ZRO : 11-3/8" from line A
4. Mark mounting spread from C/L.
ZAN : 8-7/8" on line B
ZSA : 9-7/8" on line B
ZRV : 8-15/16" on line B
ZRO : 12-5/8" on line B

5. Fasten (2) M6 x 1-1/2" screws into studs on line B but do not tighten all the way.

NOTE: Wood blocking may need to be added behind the drywall if no studs are present. Wall anchors may also be used but check local codes for compliance. Failure to use suitable wall anchors and screws to hold the weight of the hood could result in personal injury or damage to the cooking surface or counter.

6. Remove the aluminum mesh filters.
7. Hang hood onto the mounting screws and hand tighten each screw (FIG. B, A).
8. Center and attach duct cover mounting bracket to wall just below the ceiling or soffit using (2) M6 x 1" screws.
9. Install electrical and duct work. Seal duct work with aluminum duct tape.
10. Power up hood and check for leaks around duct tape.
11. Place telescopic duct covers onto hood and extend inner (top) duct cover upwards and secure to duct cover bracket using (2) M4 x 8 screws. Reinstall mesh filters.

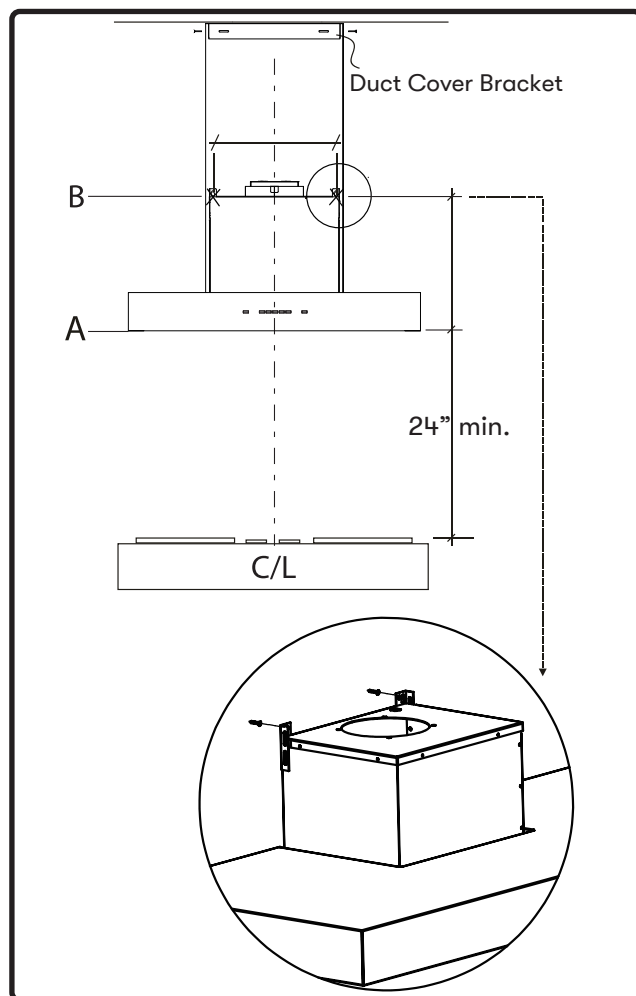


FIG. B

Mounting the Hood

12. ZRV : Lift glass canopy and place on top of hood body, secure glass canopy to hood body by (4) 3/16 x 1/4 screws. Hand tighten screws.
13. * If using hood in recirculating mode you must secure the air diverter plate onto wall before installing duct work and duct covers. You will also need to install charcoal filters and brackets. Turn to page 18 for more details.

Ductless Recirculation

Ductless recirculation is intended for applications where an exhaust duct work is not possible to be installed. When converted, the hood functions as a recirculating hood rather than an exhaust hood. Fumes and exhaust from cooking are drawn and filtered by a set of optional charcoal filters. The air is then purified and re-circulated back within the home.

We recommend to ALWAYS exhaust air outside of the home by employing existing or installing new duct work, if possible. The hood is most effective and efficient as an exhaust hood. Only when the exhaust option is not possible should you recourse to converting the hood into a recirculating hood.

When converted to be a recirculating hood, a set of charcoal filters are required on top of its standard Metal Filter set. Order according to its part number below. The standard mesh filters are intended to capture residue from cooking, and the optional charcoal filters help to purify fumes exhausted from cooking for recirculation.

Recirculating Kit Installation (required if no ducting is used)

For detailed installation instructions, please refer to the manual included with the recirculating kit. The kit includes the charcoal filters, charcoal filter brackets, and air diverter plate.

Hood Model	Recirculating Kit Part Number	Filters in Package	Charcoal Filter Replacement Part Number	Quantity to Order
ZAN	ZRC-01AN	2	ZOF-C091	2
ZSA	ZRC-00SV	2	ZOF-C002	2
ZRV	ZRC-00RV	2	ZOF-C002	2
ZRO	ZRC-01RO	2	ZOF-C002	2

Installation Instructions

Recirculating Kit Installation (required if no ducting is used)

1. Purchase recirculating kit per the part number on the table.
2. Secure air diverter plate to wall below duct cover bracket. Run 6" ducting from top of hood and secure to air diverter plate (FIG. C).
3. ZAN: Remove aluminum mesh filters from hood. Secure charcoal filters to back side of aluminum mesh filter by 3 brackets (FIG C2).
4. ZSA, ZRV, ZRO: Remove aluminum mesh filters from hood. Secure charcoal filter brackets to the hood body behind each mesh filters using the screws included in the recirculating kit. Clip charcoal filters onto each charcoal filter bracket (FIG. C1).
5. Re-install mesh filters.
6. Charcoal filters must be replaced every 120 hours of use (or approximately every 3 to 4 months based on an average of 1 - 2 hours of daily cooking time).

DO NOT WASH CHARCOAL FILTERS. Charcoal filters may need to be changed more often depending on cooking habits.

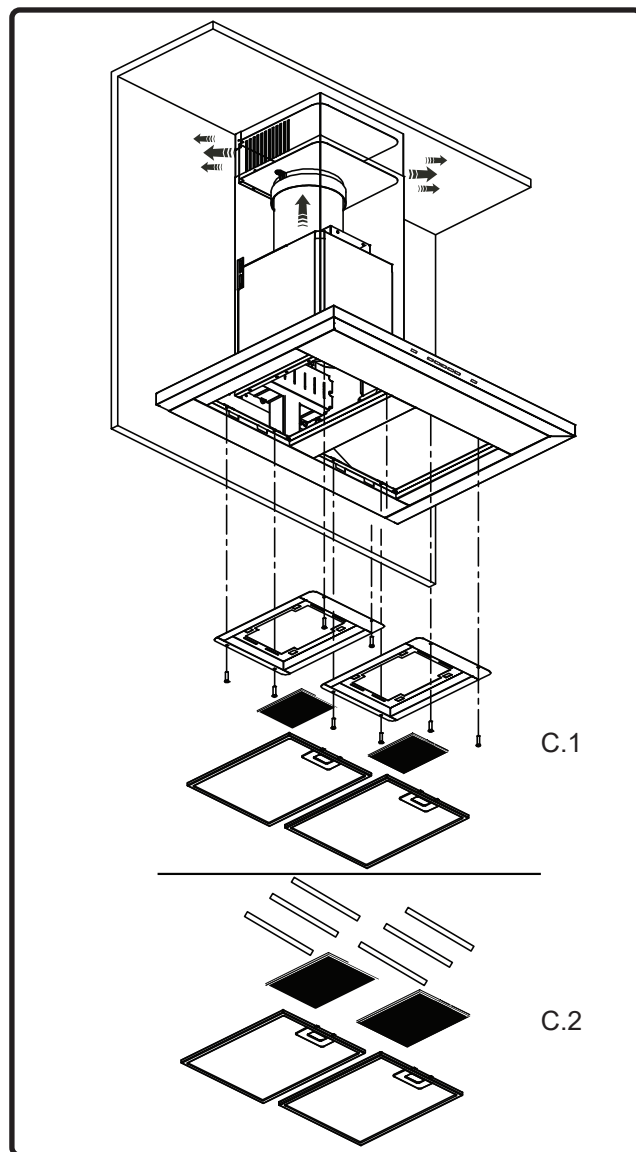
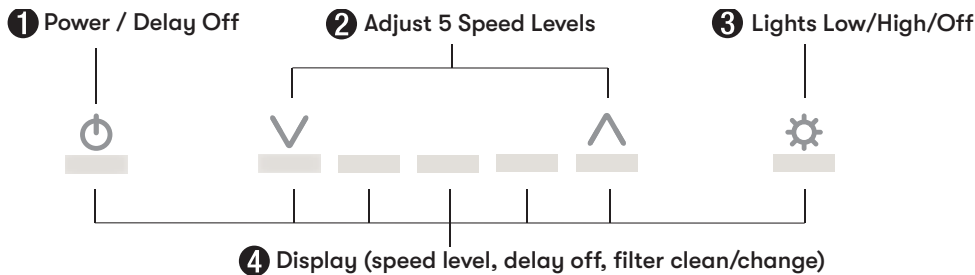





FIG. C

ICON Touch Controls








1 POWER / DELAY OFF BUTTON


Power Button Function

-  Button will turn power on and off for entire hood (fan and lights).
- Hood will remember the last speed and light level it was turned off at.
(Example: Press  Button to turn off hood when on fan speed 4 and high lights. Press  Button again and the hood will turn back on at speed 4 and high lights level.)

Delay Off Button Function

- With the fan on press and hold the  Button for two seconds. The fan will change to speed 1 and the 5 minute delay off timer will start.
 +  +  LEDs will illuminate and slowly blink in accordance with the time remaining until the fan and lights automatically turn off.
- Pressing  Button while Delay Off Function is enabled will turn the hood off and cancel the Delay Off Function.

ACT Verification

- Airflow Control Technology (ACT) allows the installer to set the maximum fan CFM to align with local codes and regulations.
 - To verify the maximum fan CFM:
 - With hood off, hold the  Button for two seconds. If all five fan speed indicators illuminate = default maximum CFM. If four fan speed indicators illuminate = 390 maximum CFM. If 3 fan speed indicators illuminate = 290 maximum CFM.

2 SPEED SELECTION BUTTON

Fan Speed Decrease Button

- Press this button to decrease fan speed. 5, 4, 3, 2, 1.
- If fan is On Speed 1 and this button is pressed, fan will power Off.

Fan Speed Increase Button

- Press this button to increase fan speed. Fan On, 1, 2, 3, 4, 5.
- If hood is Off and this button is pressed, fan will turn On Speed 1.

Act Enabled Speed Selections

- When ACT is enabled, the number of fan speeds will be reduced as follows:
 - 390 CFM = Maximum 4 speeds
 - 290 CFM = Maximum 3 speeds



ICON Touch Controls

3 LIGHTS BUTTON







- Lights have two levels, Low and High.
- From off, press one time for Low. Press again for High. Press again to power lights off.

4 DISPLAY INDICATORS

Mesh Filter Clean Reminder (always enabled)

- After 30 hours of fan usage, the  button indicator will begin to slowly blink indicating it is time to clean the mesh filters.
- **To reset:** With hood off: hold the  button for three seconds. All LED indicators will blink two times confirming the 30 hour timer has been reset.

Charcoal Filter Replace Indicator (disabled by default, must be enabled if recirculating hood)

- To enable Charcoal Filter Replacement Reminder:
 - With hood off, hold  button and  button simultaneously for two seconds. All LED indicators will illuminate for three seconds confirming the Charcoal Filter Replace Reminder is enabled.
- To disable Charcoal Filter Replacement Reminder:
 - With hood off, hold  button and  button simultaneously for two seconds. All LED indicators will blink two times confirming the Charcoal Filter Replace Reminder is disabled.
- After 120 hours of fan usage the  button will slowly blink indicating the charcoal filters need replacement.
- **To reset:** With hood off, hold the  button for two seconds. All LED indicators will blink two times confirming the 120 hour timer has been reset.

Optional RF Remote Control

To enable RF remote control capabilities, the remote control accessory kit is required. The part number for the kit is RC-0002.

FCC Caution

To assure continued compliance, any changes or modifications not expressly approved by the party responsible for compliance could void the user's authority to operate this equipment. (Example - use only shielded interface cables when connecting to computer or peripheral device. This device complies with Part 15 of the FCC Rules. Operation is subject to the following two conditions. (1) This device may not cause harmful interference, and (2) This device must accept any interference received, including interference that may cause undesired operation.

Installation

To install remote control accessory kit, please follow these steps below.

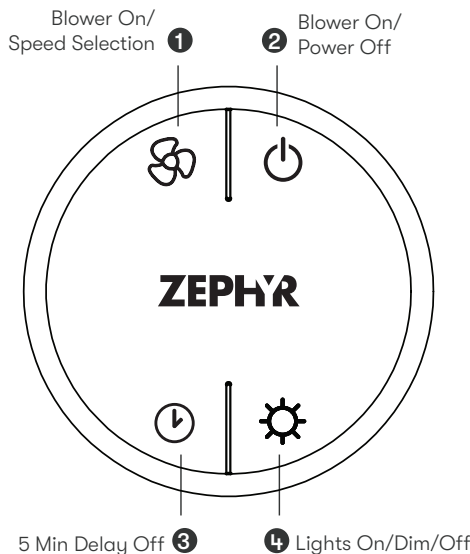
1. ZSA: Remove aluminum mesh filters.
2. ZAN, ZRO, ZRV: Locate PC board box on top of blower housing.
3. Remove 2-4 screws attaching PC board cover.
4. Connect the red wiring from the remote control control board to red connector in hood PC board.
5. Adhere remote control control board near PC board box.
6. The blue antenna wire needs to be extended for optimal signal. There is no need to secure it.

Synchronization

To create a unique link between your hood and remote control please follow these steps.

1. With hood off, press and hold the Lights button on the hood until the controls illuminate and flash.
2. Press a button on the remote, and the remote control will be synchronized with the hood.

RF Remote Control Functions



1 Blower On / Speed Selection

Press to power on blower and cycle through all blower speeds.

2 Blower On / Power Off

By pressing , the blowers will power on at the last speed setting. Press again and the entire hood will power off, including lights.

3 Delay Off

By pressing , the blower and lights will enter Delay Off mode. The blower will change to speed 1 and a 5 minute timer will begin counting down.

4 Lights On/Dim/Off

Switch between light levels by pressing . Turn off the lights by cycling through the different light levels.

Optional RF Remote Control

RF Remote Features

The RF remote control is equipped with a magnet on the back for easy storage. The remote may be placed on any magnetic surface such as a refrigerator or the Zephyr remote holder, FIG. D. The remote holder can be inserted into a standard electrical outlet for easy storage. Note: The remote holder does not charge the RF remote.

Maximum remote control communication distance is 15 feet from the liner.

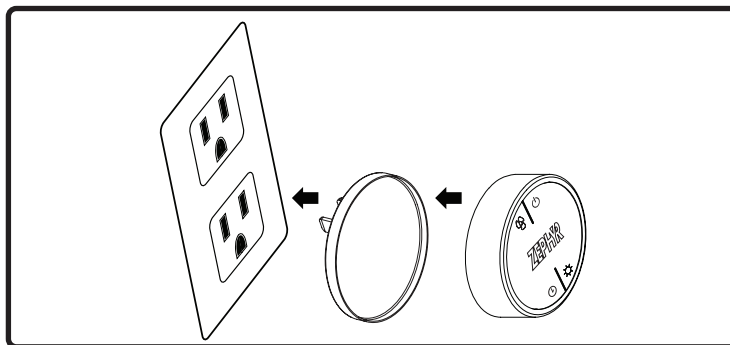


FIG. D

RF Remote Maintenance

Clean the remote control using non abrasive detergents.

Follow instructions below for replacing battery. Using a small flat head screwdriver, raise the cover of the battery door (A) in order to access the battery compartment. FIG. E.

Remove the battery and replace with battery type A23 12V. Negative end of battery should face the spring inside the remote.

Re-install battery door and recycle old battery.

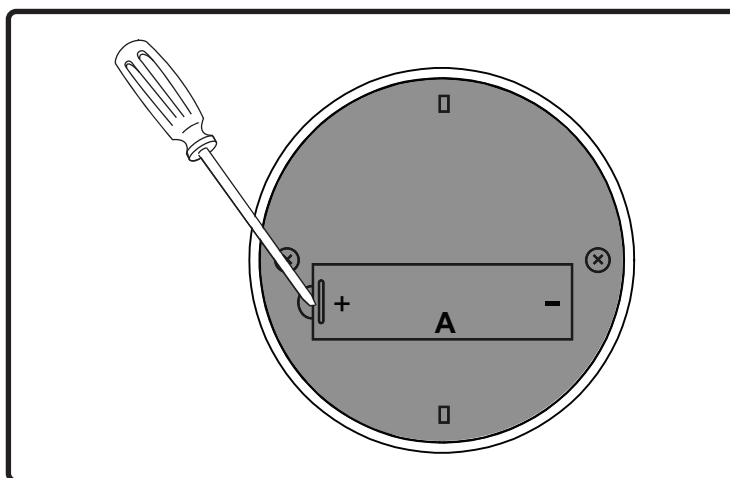


FIG. E

Hood & Filter Cleaning

Surface Maintenance

- ▶ Do not use corrosive detergents, abrasive detergents or oven cleaners.
- ▶ Do not use any product containing chlorine bleach or any product containing chloride.
- ▶ Do not use steel wool or abrasive scrubbing pads which will scratch and damage surface.

Cleaning Stainless Steel

Clean periodically with warm soapy water and clean cotton cloth or micro fiber cloth. Always rub in the direction of the stainless steel grain. To remove heavier grease build up use a liquid degreaser detergent.

After cleaning use a non-abrasive stainless steel polish/cleaners, to polish and buff out the stainless luster and grain. Always scrub lightly, with clean cotton cloth or micro fiber cloth and buff in the direction of the stainless steel grain.

Cleaning Grease Filters

The grease filters installed by the factory are intended to filter out residue and grease from cooking. They need not be replaced on a regular basis but are required to be kept clean.

Remove and clean by hand or in dishwasher using a non-phosphate detergent. Discoloration of the grease filter may occur if using phosphate detergents, or as a result of local water conditions - but this will not affect filter performance. This discoloration is not covered by the warranty. Spray degreasing detergent and leave to soak if heavily soiled.

Dry grease filters and re-install before using hood.

Maintenance

Installing the Grease Filters (FIG. F):

1. Pull down on filter latch to release the filter tabs.
2. Pull down on front of filter to remove the grease filters.

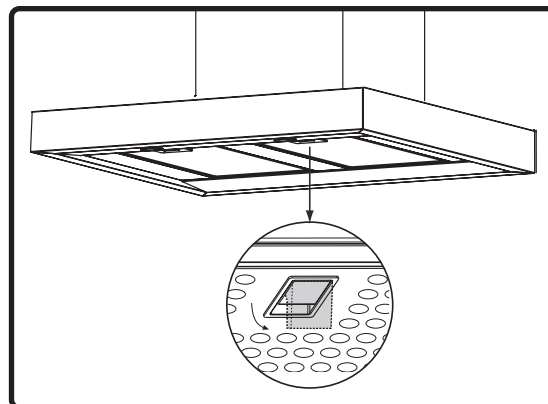


FIG. F

LumiLight LED

In the unlikely event that your LumiLight LED fails, please contact Zephyr to order replacement parts.

See the list of parts and accessories page for part numbers and contact information.

LED Removal (FIG. G):

1. Remove grease filters.
2. Remove the side panels (if applicable) and remove the light panel.
3. Disconnect LED light quick connector.
4. Push in the two side clips on the ends of the LED light.
5. Push LED light through the light panel opening.

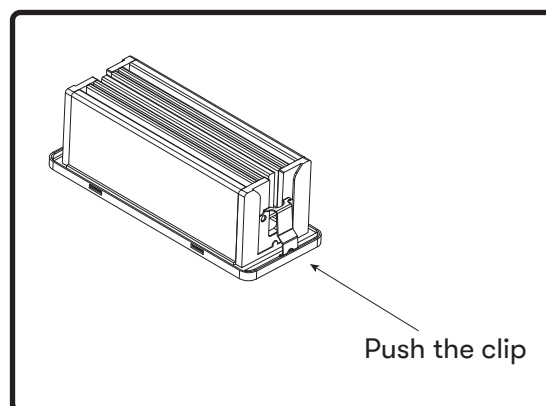


FIG. G

Airflow Control Technology (ACT™)

Some local codes limit the maximum amount of CFM a range hood can move. ACT™ allows you to control the maximum blower CFM of select Zephyr Ventilation range hoods without the need for expensive make up air kits. ACT™ enables the installer to easily set the maximum blower speed to one of two most commonly specified CFM levels; 390 or 290 CFM. The usage of ACT™ may not be necessary for your installation. Please check your local codes for CFM restrictions.



CAUTION



Hood must be disconnected from the main power prior to performing the conversion instructions listed below. Failure to do so could result in personal injury or damage to the product.



CAUTION



After re-positioning the jumper and powering on the hood, the CFM cannot be changed again.

ACT™ Conversion

ZSA, ZAN, ZRV, ZRO

WALL

Enabling ACT™

To enable ACT™:

1. Before hood installation, gain access to PC board by following the steps shown on FIG. H.
2. Change plastic jumper positioning as shown in FIG. I to set the desired maximum blower CFM.
3. Re-install PC board and continue with hood installation.
4. Remove the appropriate foil CFM sticker included with the hood literature and place inside the hood body below the wiring diagram or in another clearly visible location.

To verify if your installer enabled ACT™:

1. With hood off, hold the power button for three seconds. If 5 LEDs illuminate = default max. If 4 LEDs illuminate = max. 390 CFM, and if 3 LEDs illuminate = max. 290 CFM.
2. When ACT™ is enabled, the number of blower speeds will be reduced. 390 CFM = max. 4 speeds and 290 CFM = max. 3 speeds.
3. There should also be a foil label located inside the hood body near the wiring diagram that indicates the blower CFM.

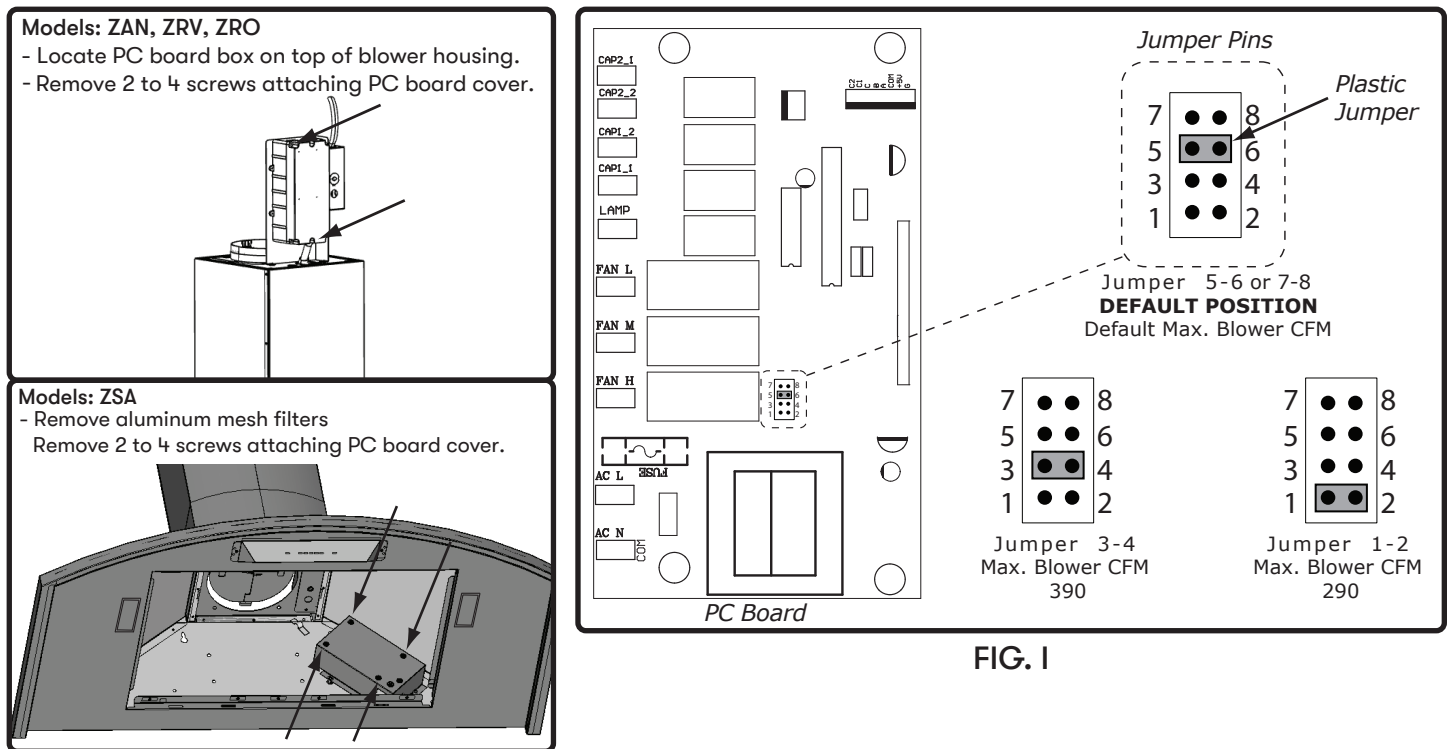
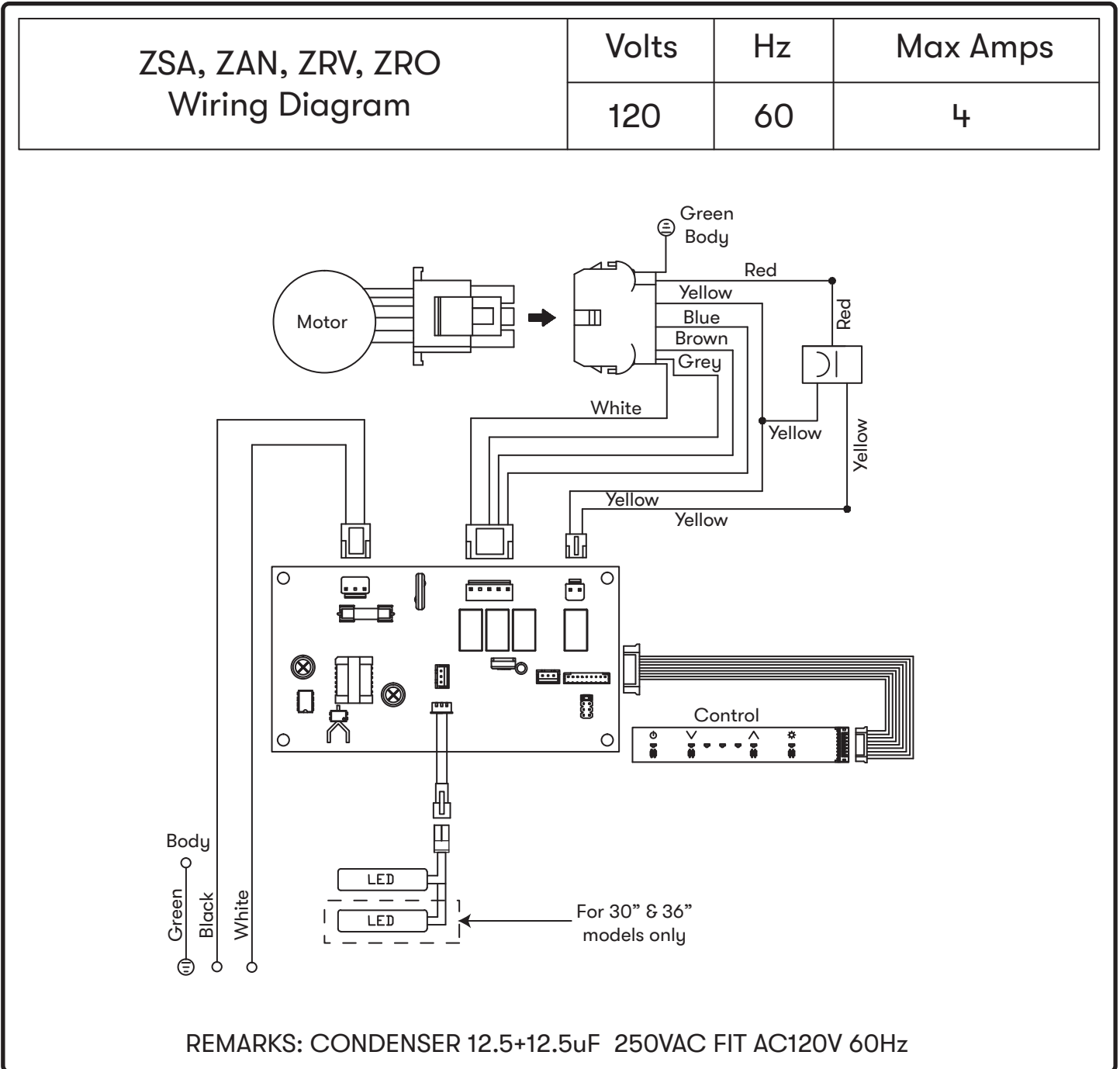


FIG. I

FIG. H



Power consumption shown for default CFM blower configuration

ACT 390 CFM - Fan Max. @2.3A

ACT 290 CFM - Fan Max. @1.9A

Troubleshooting

ZSA, ZAN, ZRV, ZRO

WALL

Possible Problem	Possible Cause	Solutions
After installation, the unit doesn't work.	The power source is not turned ON.	Make sure the circuit breaker and the unit's power is ON.
	The power line and the cable locking connector is not connecting properly.	Check the power connection with the unit is connected properly.
	The switch board or control board is defective.	Change the switch board or control board.
	The switch board or control board wirings are disconnected.	Make sure the wirings at the switch board and control board are connected properly.
Light works, but blower is not turning.	The blower is defective, possibly seized.	Change the blower.
	The thermally protected system detects if the blower is too hot to operate and shuts the blower down.	The blower will function properly after the thermally protected system cool down.
	Damaged capacitor.	Change the capacitor.
	The switch board or control board is defective.	Change defective part.
The unit is vibrating.	The blower is not secured in place.	Tighten the blower in place.
	Damaged blower wheel.	Replace the blower.
	The hood is not secured in place.	Check the installation of the hood.
The unit is whistling.	A filter is not in the correct position.	Adjust the filters until the whistling stops.
	The duct pipe connections are not sealed or connected properly.	Check the duct pipe connections to be sure all connections are sealed properly.
The blower is working, but the lights are not.	The LED light connector is disconnected.	Connect the LED light connector.
	Defective LED light.	Change the LED light.
LumiLight LEDs flicker when changing speed levels.	N/A	This is a normal operation and the hood is working correctly.

Possible Problem	Possible Cause	Solutions
The hood is not venting out properly.	Using the wrong size of ducting.	Change the ducting to the correct size
	The hood might be hanging too high from the cook top.	Adjust the distance between the cooktop and the bottom of the hood within 24" to 34" range.
	The wind from the opened windows or opened doors in the surrounding area are affecting the ventilation of the hood.	Close all the windows and doors to eliminate the outside wind flow.
	Blockage in the duct opening or ductwork.	Remove all the blocking from the duct work or duct opening.
Filter is vibrating.	Filter is loose.	Adjust or change the filter.
RF Remote control does not work.	Battery is dead.	Replace battery with type A23 12v.
	Poor communication with the hood.	Remote control must be within 15 ft of hood.
	RF Remote lost communication with the hood.	Reset hood and remote by switching power off at the circuit breaker for 5 minutes. Place remote on counter top near the hood and switch the circuit breaker back on.
	Blue antenna wire is not extended.	Extend the blue antenna wire behind the light panel.

List of Parts & Accessories

ZSA, ZAN, ZRV, ZRO

WALL

Description	Part Number
Replacement Parts	
LumiLight LED, 6W	Z0B0050
ZSA ZRV ZRO Charcoal Filter (each)	Z0F-C002
ZAN Charcoal Filter (each)	Z0F-C091
ZSA Aluminum Mesh Filter (each)	50200011
ZAN Aluminum Mesh Filter (each)	50200059
ZRV Aluminum Mesh Filter (each)	50200044
ZRO Aluminum Mesh Filter (each)	50200053
ZSA Optional Accessories	
SS Extension Duct Cover	Z1C-01SA
BLK Extension Duct Cover	Z1C-01SAB
WHT Extension Duct Cover	Z1C-01SAW
BLK SS Extension Duct Cover	Z1C-01SABS
Recirculating Kit	ZRC-00SV
ZAN Optional Accessories	
SS Extension Duct Cover	Z1C-00AN
BLK SS Extension Duct Cover	Z1C-00ANBS
Recirculating Kit	ZRC-01AN
ZRV Optional Accessories	
SS Extension Duct Cover	Z1C-00RV
BLK SS Extension Duct Cover	Z1C-00RVBS
Recirculating Kit	ZRC-00RV
ZRO Optional Accessories	
SS Extension Duct Cover	Z1C-00RO
Recirculating Kit	ZRC-01RO
Optional Accessories	
Remote Control Kit	RC-0002
RF Remote Control (remote w/ battery only)	14000005

To order parts, visit us online at <http://store.zephyronline.com>.

TO OBTAIN SERVICE UNDER WARRANTY OR FOR ANY SERVICE RELATED QUESTIONS**United States Customers please call: 1-888-880-8368 or contact us at: zephyronline.com/contact****Canada Customers please call: 1-800-361-0799 or Email: service@distinctive-online.com**

Zephyr Ventilation, LLC (referred to herein as “we” or “us”) warrants to the original consumer purchaser (referred to herein as “you” or “your”) of Zephyr products (the “Products”) that such Products will be free from defects in materials or workmanship as follows:

Three Year Limited Warranty for Parts: For three years from the date of your original purchase of the Products, we will provide, free of charge, Products or parts (including LED light bulbs, if applicable) to replace those that failed due to manufacturing defects subject to the exclusions and limitations below. We may choose, in our sole discretion, to repair or replace parts before we elect to replace the Products.

One Year Limited Warranty for Labor: For one year from the date of your original purchase of the Products, we will provide, free of charge, the labor cost associated with repairing the Products or parts to replace those that failed due to manufacturing defects subject to the exclusions and limitations below. After the first year from the date of your original purchase, you are responsible for all labor costs associated with this warranty.

Warranty Exclusions: This warranty covers only repair or replacement, at our option, of defective Products or parts and does not cover any other costs related to the Products including but not limited to: (a) normal maintenance and service required for the Products and consumable parts such as fluorescent, incandescent or halogen light bulbs, mesh and charcoal filters and fuses; (b) any Products or parts which have been subject to freight damage, misuse, negligence, accident, faulty installation or installation contrary to recommended installation instructions, improper maintenance or repair (other than by us); (c) commercial or government use of the Products or use otherwise inconsistent with its intended purpose; (d) natural wear of the finish of the Products or wear caused by improper maintenance, use of corrosive and abrasive cleaning products, pads, and oven cleaner products; (e) chips, dents or cracks caused by abuse or misuse of the Products; (f) service trips to your home to teach you how to use the Products; (g) damage to the Products caused by accident, fire, floods, acts of God; or (h) Custom installations or alterations that impact serviceability of the Products. If you are outside our service area, additional charges may apply for shipping costs for warranty repair at our designated service locations and for the travel cost to have a service technician come to your home to repair, remove or reinstall the Products. After the first year from the date of your original purchase, you are also responsible for all labor costs associated with this warranty. All Products must be installed by a qualified professional installer to be eligible for warranty repairs or service.

Limitations of Warranty. OUR OBLIGATION TO REPAIR OR REPLACE, AT OUR OPTION, SHALL BE YOUR SOLE AND EXCLUSIVE REMEDY UNDER THIS WARRANTY. WE SHALL NOT BE LIABLE FOR INCIDENTAL, CONSEQUENTIAL OR SPECIAL DAMAGES ARISING OUT OF OR IN CONNECTION WITH THE USE OR PERFORMANCE OF THE PRODUCTS. THE EXPRESS WARRANTIES IN THE PRECEDING SECTION ARE EXCLUSIVE AND IN LIEU OF ALL OTHER EXPRESS WARRANTIES. WE HEREBY DISCLAIM AND EXCLUDE ALL OTHER EXPRESS WARRANTIES FOR THE PRODUCTS, AND DISCLAIM AND EXCLUDE ALL WARRANTIES IMPLIED BY LAW, INCLUDING THOSE OF MERCHANTABILITY AND FITNESS FOR A PARTICULAR PURPOSE.

Some states or provinces do not allow limitations on the duration of an implied warranty or the exclusion or limitation of incidental or consequential damages, so the above limitations or exclusions may not apply to you. To the extent that applicable law prohibits the exclusion of implied warranties, the duration of any applicable implied warranty is limited to the same three-year and one-year periods described above if permitted by applicable law. Any oral or written description of the Products is for the sole purpose of identifying the Products and shall not be construed as an express warranty. Prior to using, implementing or permitting use of the Products, you shall determine the suitability of the Products for the intended use, and you shall assume all risk and liability whatsoever in connection with such determination. We reserve the right to use functionally equivalent refurbished or reconditioned parts or Products as warranty replacements or as part of warranty service. This warranty is not transferable from the original purchaser and only applies to the consumer residence where the Product was originally installed located in the United States and Canada. This warranty is not extended to resellers.

To Obtain Service Under Limited Warranty: To qualify for warranty service, you must: (a) notify us at the address or telephone number stated below within 60 days of the discovery of the defect; (b) give the model number and serial number; and (c) describe the nature of any defect in the Product or part. At the time of the request for warranty service, you must present evidence of your proof of purchase and proof of the original purchase date. If we determine that the warranty exclusions listed above apply or if you fail to provide the necessary documentation to obtain service, you will be responsible for all shipping, travel, labor and other costs related to the services. This warranty is not extended or restarted upon warranty repair or replacements.

Please check our website for any additional Product information, www.zephyronline.com

Zephyr, 2277 Harbor Bay Parkway, Alameda, CA 94502

Product Registration

Congratulations on the purchase of your Zephyr product! Please take a moment to register your new Zephyr product at www.zephyronline.com/registration

IT'S IMPORTANT

Prompt registration helps in more ways than one.

- Ensures warranty coverage should you need service.
- Ownership verification for insurance purposes.
- Notification of product changes or recalls.



Zephyr Ventilation | 2277 Harbor Bay Pkwy. | Alameda, CA 94502 | 1.888.880.8368