

# **USE + INSTALLATION MANUAL**

---

**Recirculating Flue Kit**

**FORZA™**

# Non-Duct Flue Kit – Recirculating Flue

**Read and conserve these instructions. Leave this instruction sheet with the homeowner.**

**CAUTION:** Remove the protective plastic film covering the non-duct flue kit before installing it. Using additional installers is advisable because of the large size and weight of the hood.

**This kit contains:**

- 1 Non-Duct Kit (Recirculating Flue)
- 2 (or 4\*) Charcoal Filters
- 2 Mounting Brackets
- Service bag of parts including:
  - No. 8 Pcs M4 x 10 mm screws
  - No. 8 Pcs 4.5 x 18 mm screws (for wood)

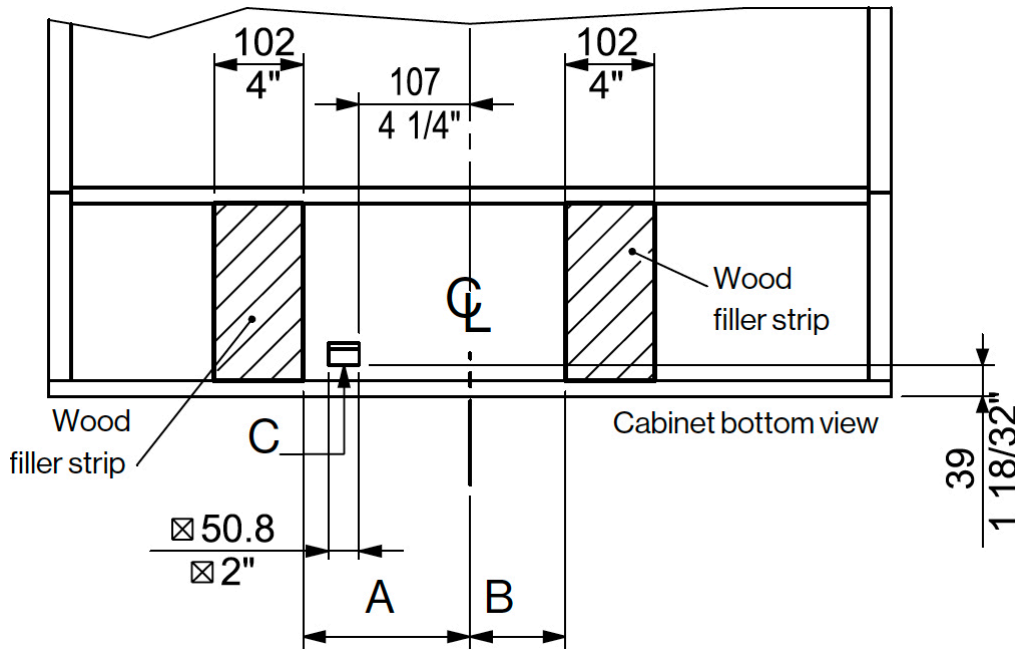
*\*For double-blower models*

When planning an installation, the overall height of the non-duct flue kit (recirculating flue) and the hood should be considered.

The hood must be no less than 24" above the cooktop.

A maximum of 30" above the cooktop is recommended in order to best capture cooking impurities. Distances over 30" are at the discretion of the installer and user.

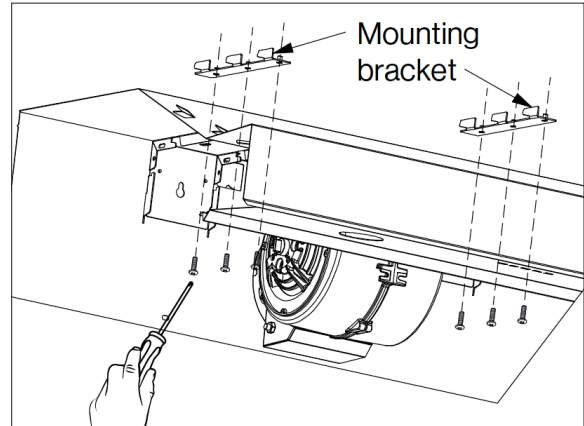
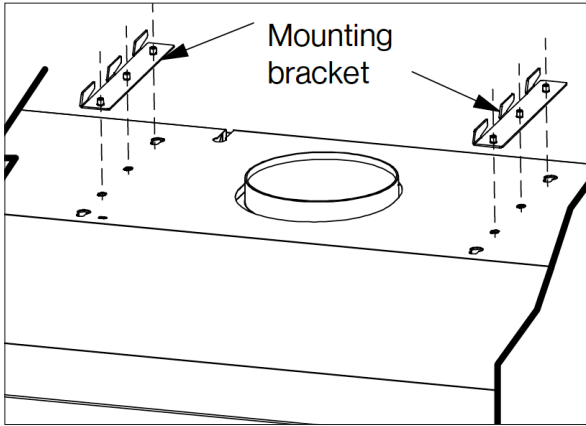
**NOTE:** For wall cabinets with recessed bottoms, attach 2 wood filler strips cut to length (not included), as shown alongside. See table below for the location of wood filler strips.



**C** = Cut for power cable

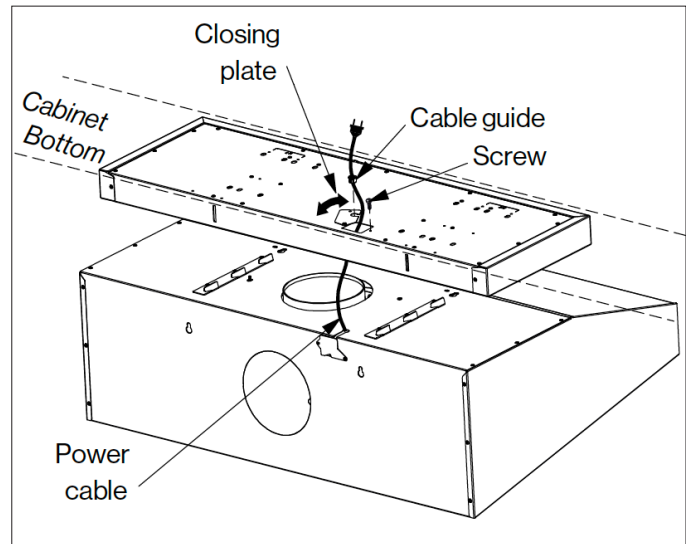
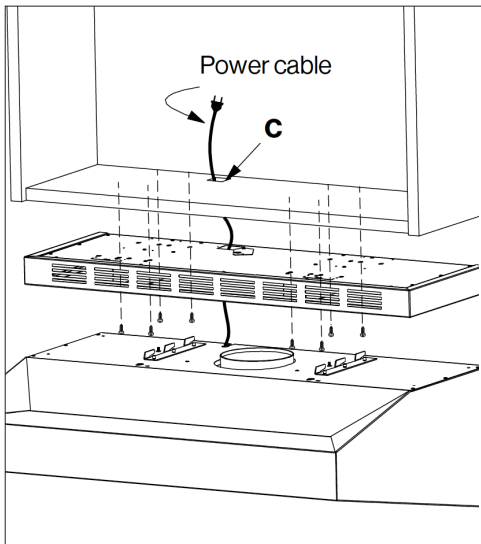
Recirculation Kit Width	Wood strip location (A)	Wood strip location (B)
30" - 36"	191 mm. - 7 17/32"	109.5 mm. - 4 5/16"
48" and double-blower models	291 mm. - 11 7/16"	211 mm. - 8 9/32"

- 1) Make a hole on the bottom of the wall cabinet to run the power cable through.
- 2) Fix two mounting brackets on top of the hood with (6) M4 x 10 mm screws as shown in the figure.

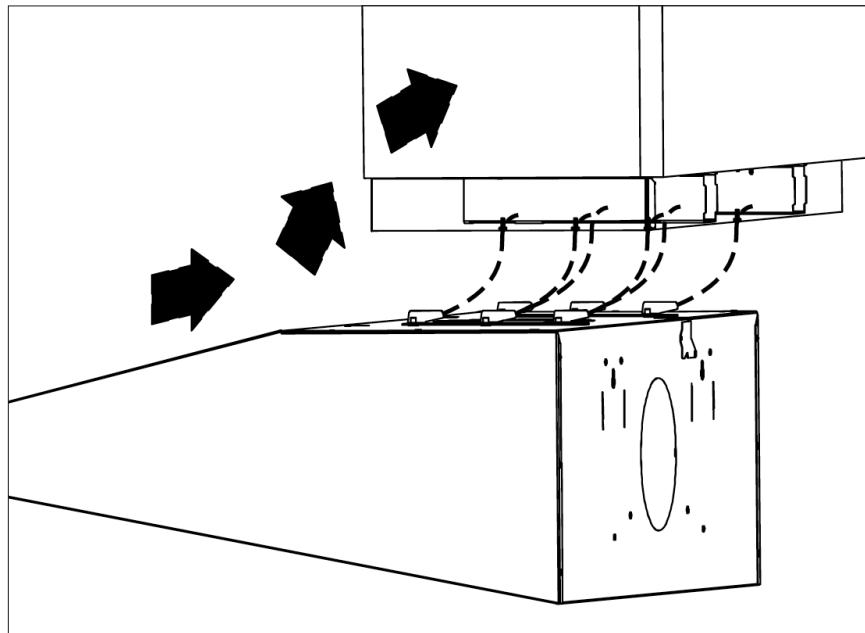


**\* Screws M4 x 10 mm**

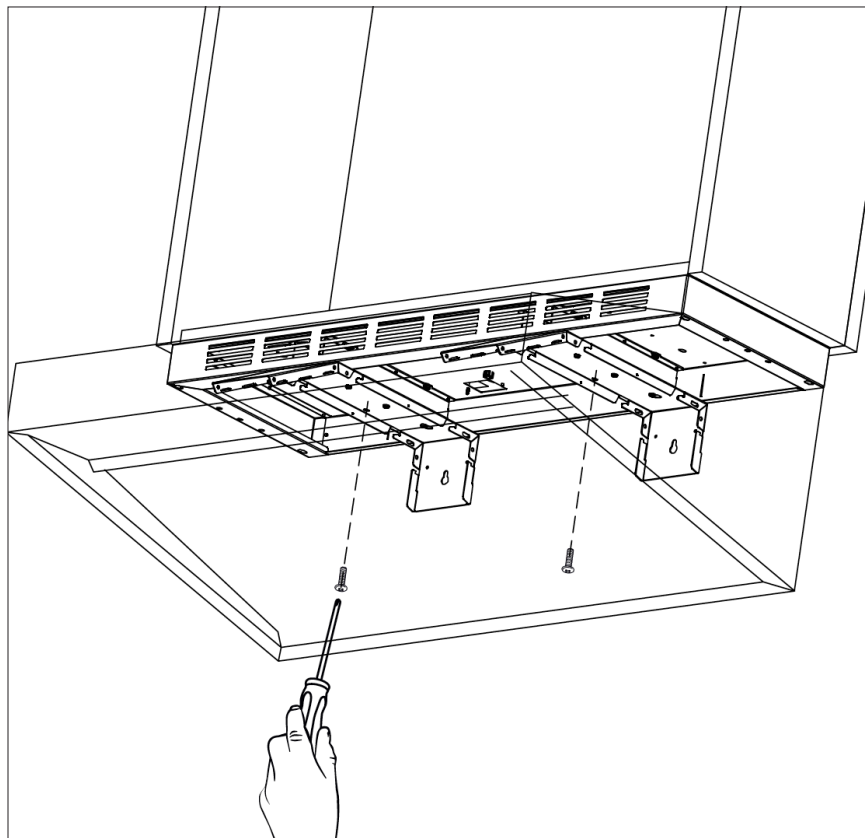
- 3) Place the non-duct flue kit in its location under the wall cabinet and install with (8) 4.5 x 18 mm screws. Pass the power cable through the non-duct kit, as shown in the figure.



- 4) Place the hood under the non-duct flue kit and slide the hood into position so the wing of the bracket mounted on the top of the hood is aligned with the mounting brackets supplied.



- 5) Lock the hood with (2) M4 x 10 mm Safety Screws.



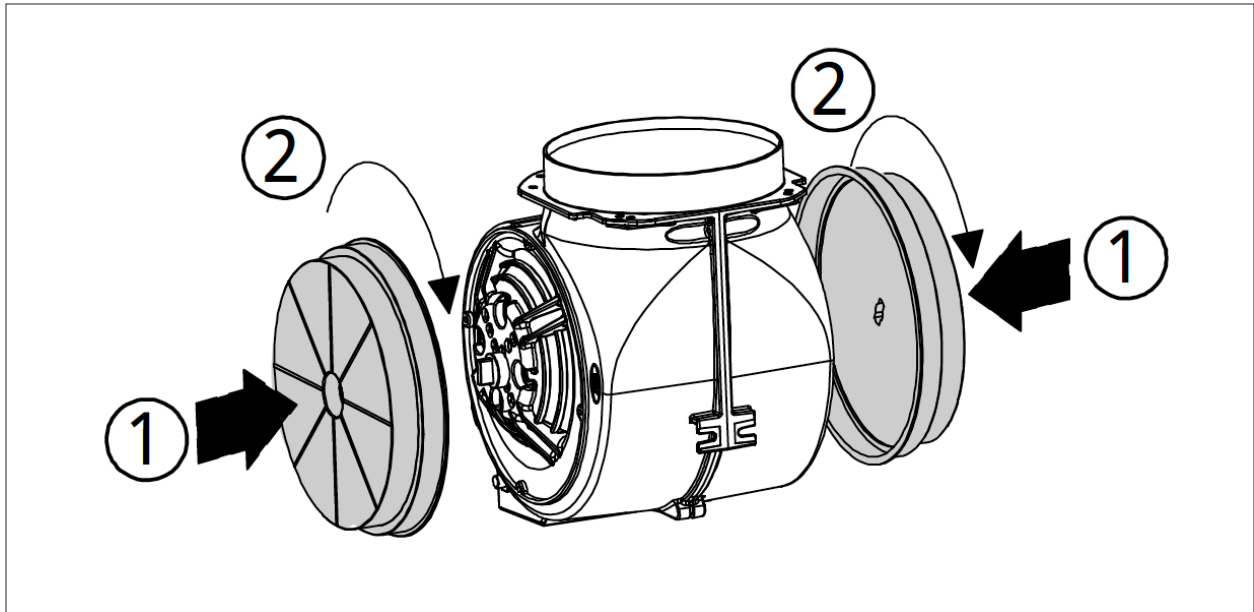
\* Screws M4 x 10 mm

# How to Install Charcoal Filters

---

Position the filter over its support on each side of the motor (1) and rotate to lock it in place (2).

We recommend replacing filters after 30 hours of cooking or six months of use. Replace more often if you produce lots of grease when cooking.



This Forza appliance is proudly made in Modena, Italy  
by GlemGas S.p.A, a family owned company.  
**[www.forzacucina.com](http://www.forzacucina.com)**