

USE + INSTALLATION MANUAL

Baffle-Pro Kit

FORZA™

Baffle-Pro Kit

Read and conserve these instructions. Leave this instruction sheet with the homeowner.

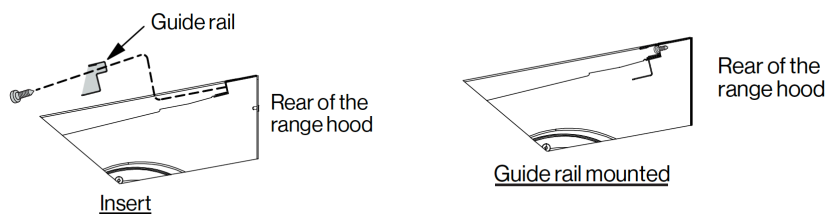
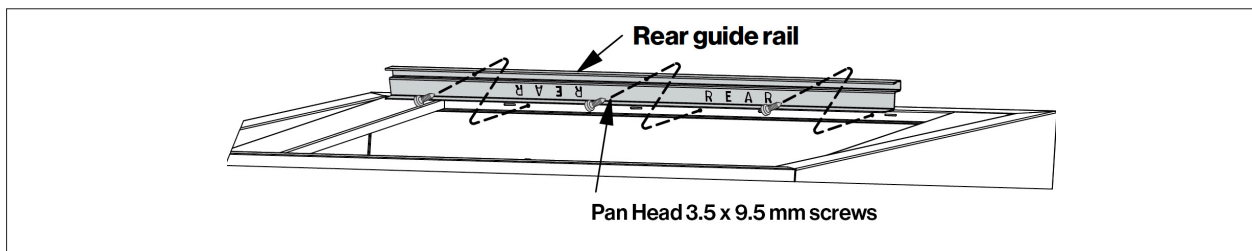
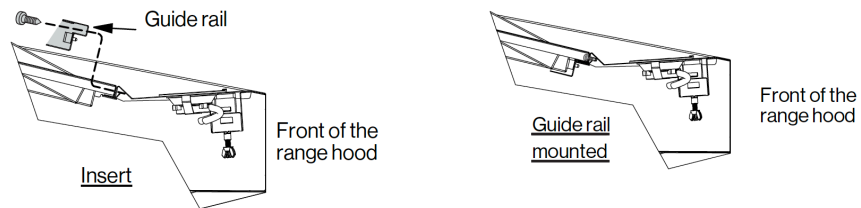
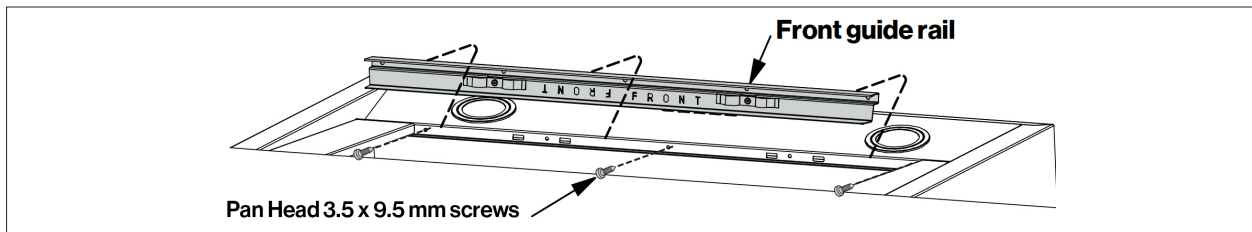
CAUTION: Remove the protective plastic film covering the non-duct flue kit before installing it. Using additional installers is advisable because of the large size and weight of the hood.

This Kit contains:

- Baffle-PRO Filter (2 pcs for 30" width, 3 pcs for 36" width, 4 pcs for 48" width)
- 1 Front Guide Rail
- 1 Rear Guide Rail
- 6 pcs (10 pcs for 36" width version or above) 3.5 x 9.5 mm Pan Head Screws

Install Guide Rails

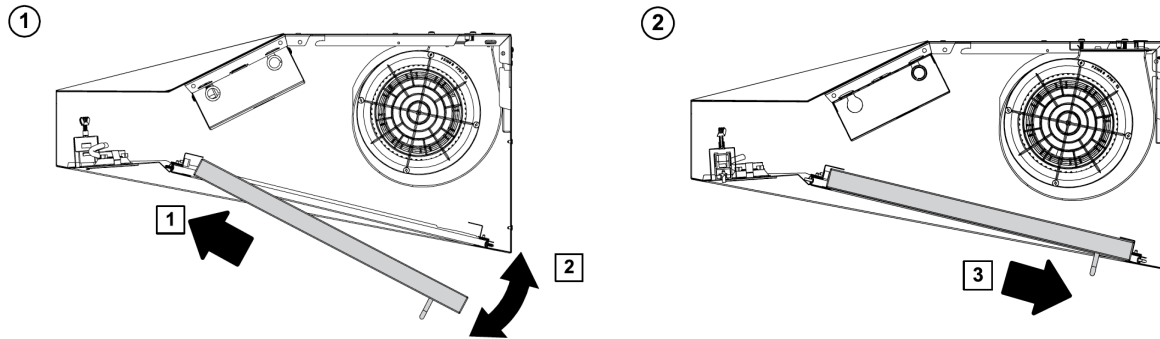
Remove the supplied filters from your range hood. The illustration below shows how to insert (at the front and rear) the guide rails into the range hood.



Install the Baffle-Pro filters

We recommend installing the side filters first and finishing with the center one(s).

- 1) Insert one end of the filter into the front guide rail.
- 2) Raise the other end toward the inside of the hood and insert it in the rear guide rail.



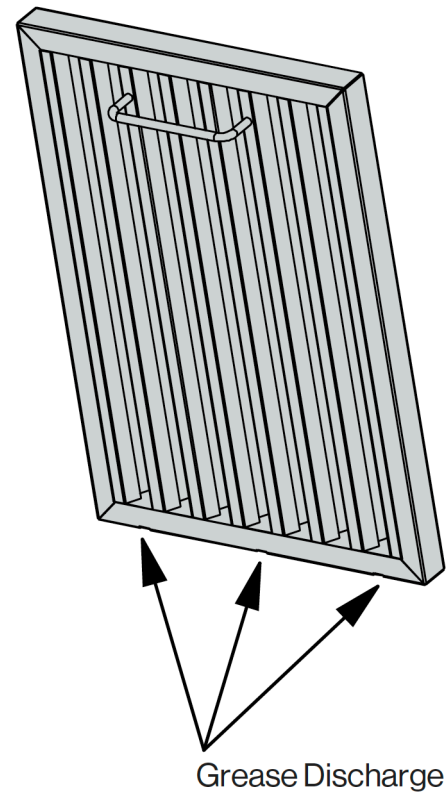
Use + Care

To empty the grease from the baffle filter, remove it and empty from the side opposite the handle. The baffle filters should be cleaned frequently. Use a warm detergent solution. Wash more often if your cooking generates more grease – when frying foods or using a wok, for example.

Remove the baffle filters by pushing them towards the front of the hood and rotating the filters downward. Baffle filters are dishwasher safe. Allow filters to dry completely before reinstalling them in the hood. Clean all-metal filters in the dishwasher using a non-phosphate detergent.

The filter may discolor if you use a phosphate detergent or as a result of local water conditions, but this will not affect filter performance.

This discoloring is not covered by the warranty.



This FORZA appliance is proudly made in Modena, Italy
by GlemGas S.p.A, a family owned company.
www.forzacucina.com