

USE + INSTALLATION MANUAL

Range Hoods

FH3011
FH3611
FH3018
FH3618
FH4818
FH3624
FH4824

FORZA™

Welcome to the Forza family!

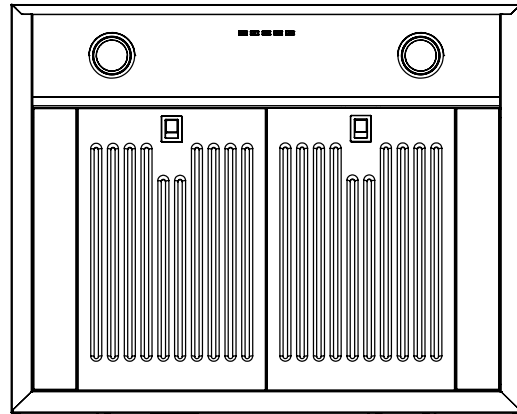
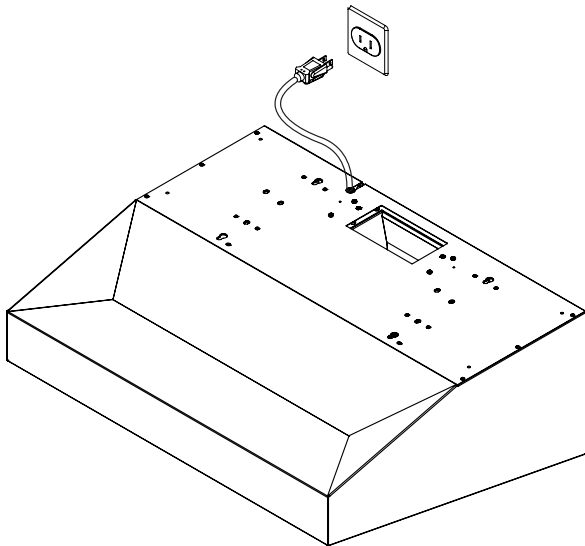
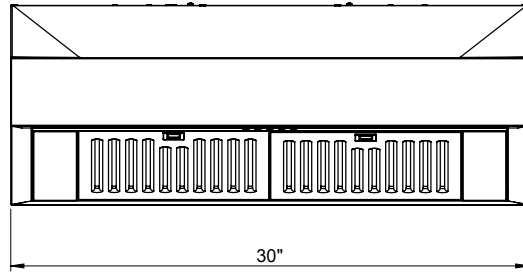
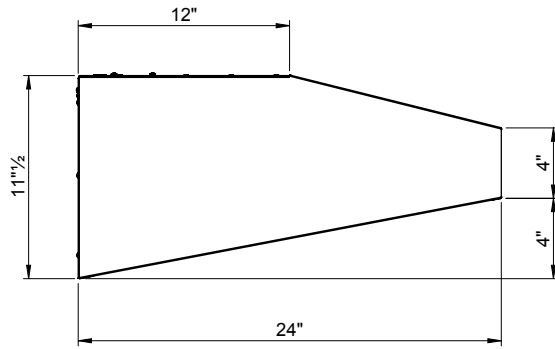
Congratulations on your recent Forza purchase! Before you begin using your new Forza product, please take a moment to review the Use + Installation Manual. You will find the answers to all of your questions as well as some very important safety information. Your Forza product is ready and waiting to be used for your next gourmet creation!

Table of Contents

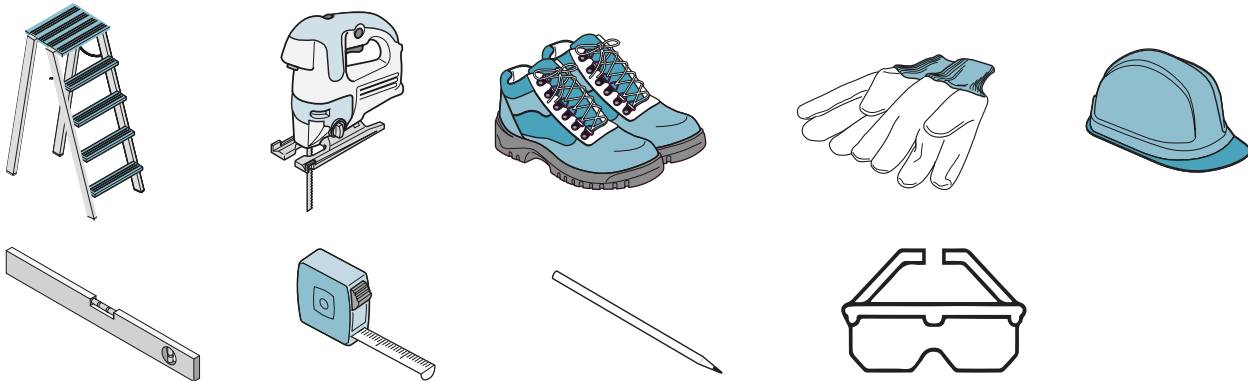
- 04** Dimensions and Specifications
- 10** Preparation for Installation
- 12** Installation
 - 15** Installation Under Wall Cabinet with Cabling
 - 16** Wall-Mounted Horizontal Vent
- 20** Cleaning and Maintenance
- 22** Technical Specifications
- 24** Warranty

Dimensions and Specifications

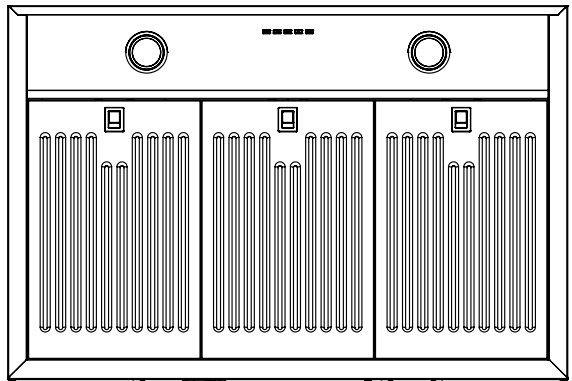
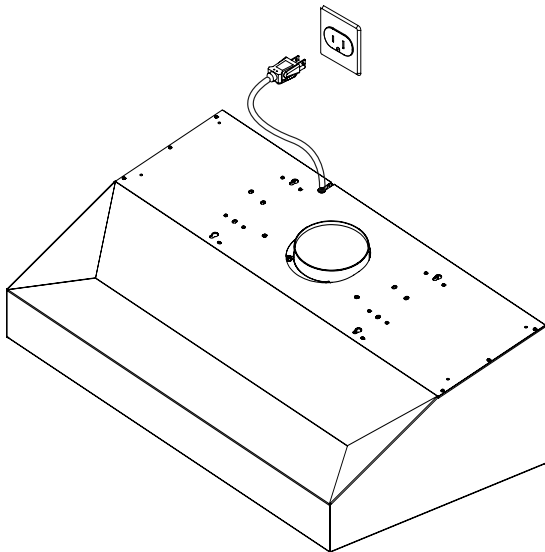
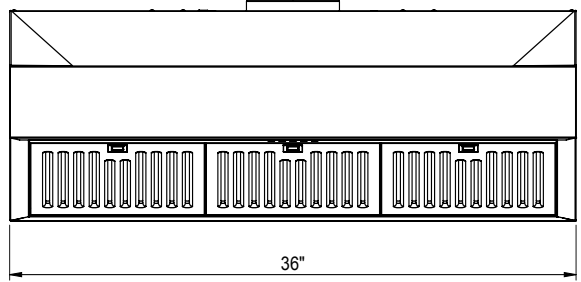
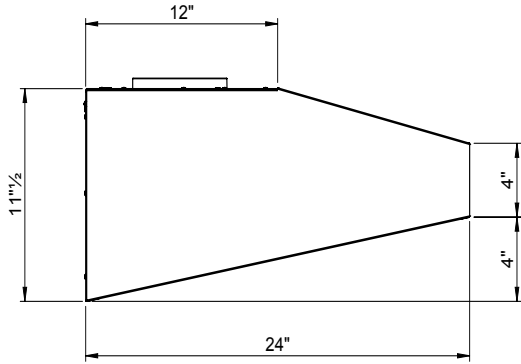
Model Number	Voltage	Frequency	Power	Weight
FH3011	120 V	60 Hz	233 W	35 lb / 15.90 kg



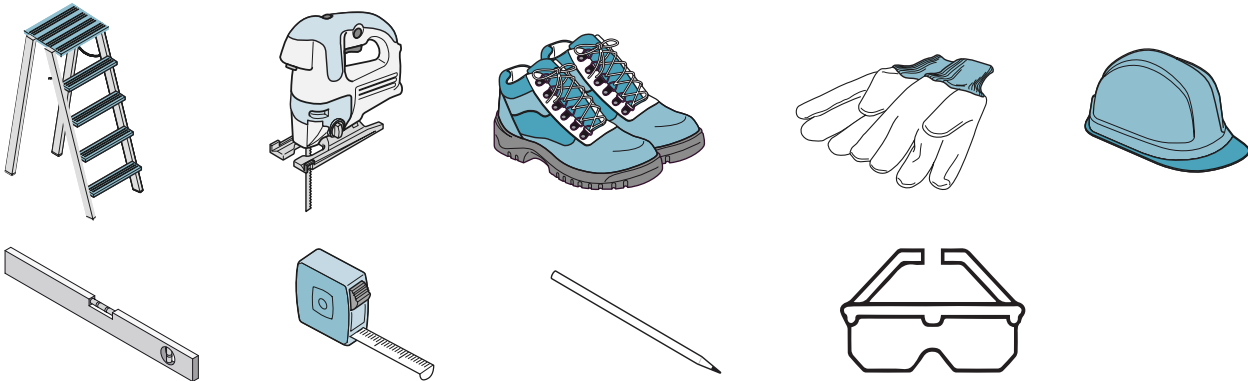
Tools Required



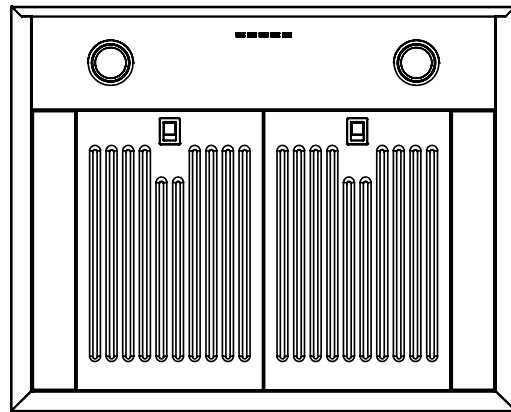
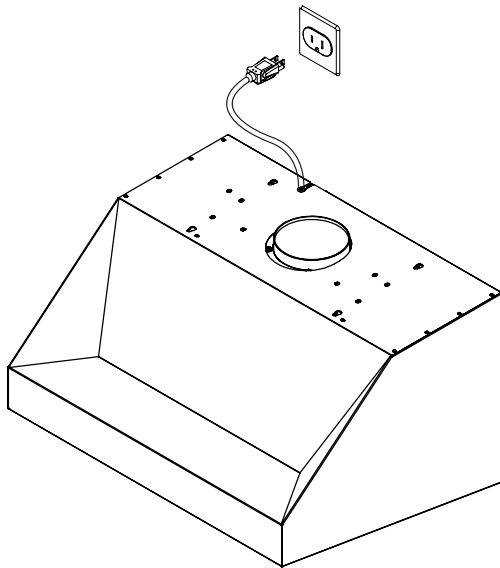
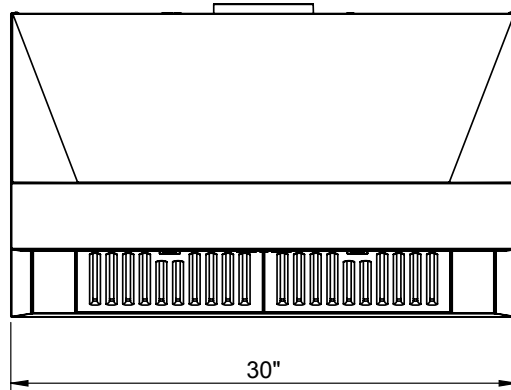
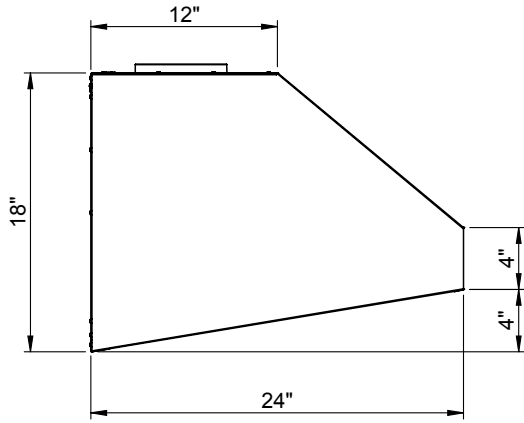
Model Number	Voltage	Frequency	Power	Weight
FH3611	120 V	60 Hz	353 W	41.8 lb / 19 kg



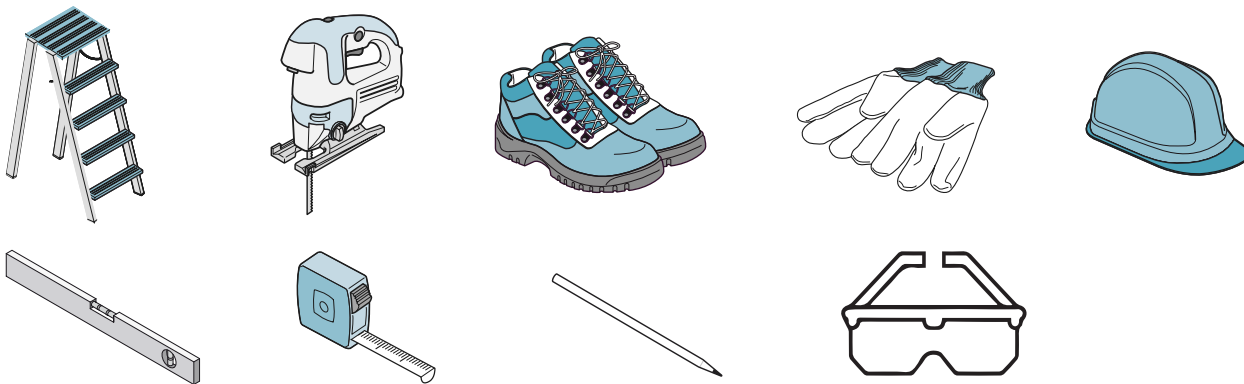
Tools Required



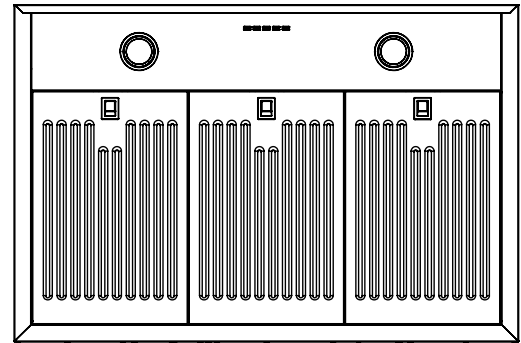
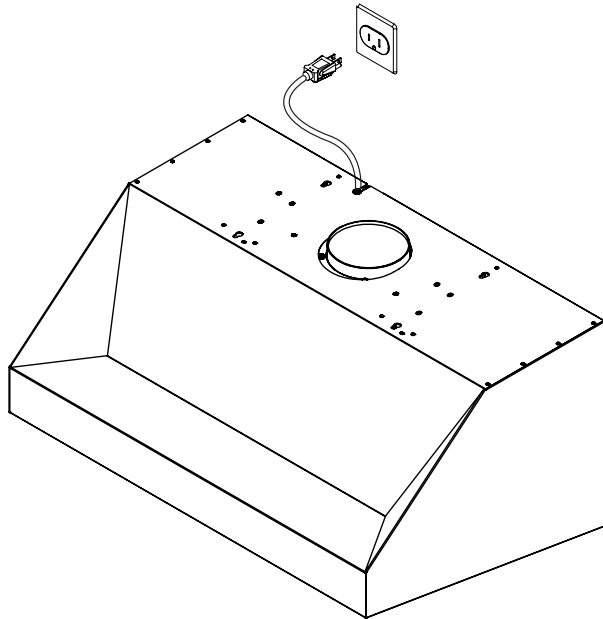
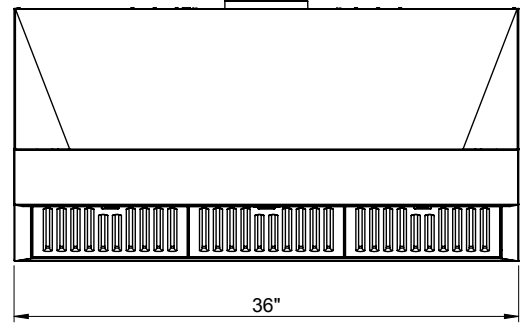
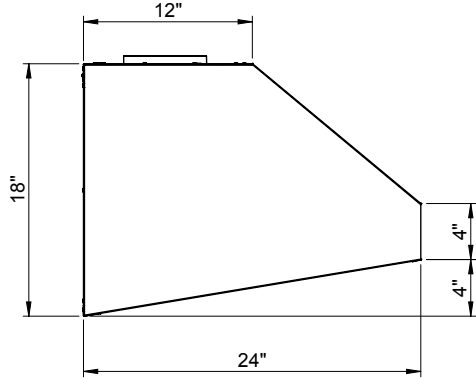
Model Number	Voltage	Frequency	Power	Weight
FH3018	120 V	60 Hz	353 W	43.6 lb / 19.80 kg



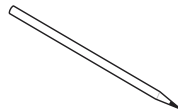
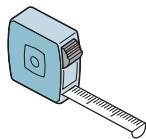
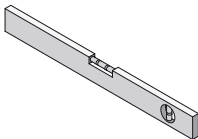
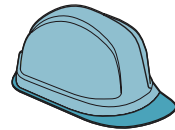
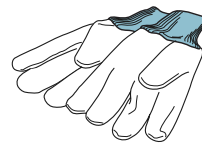
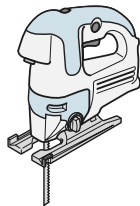
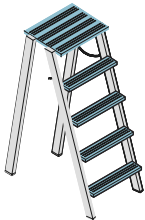
Tools Required



Model Number	Voltage	Frequency	Power	Weight
FH3618	120 V	60 Hz	353 W	52.8 lb / 24 kg

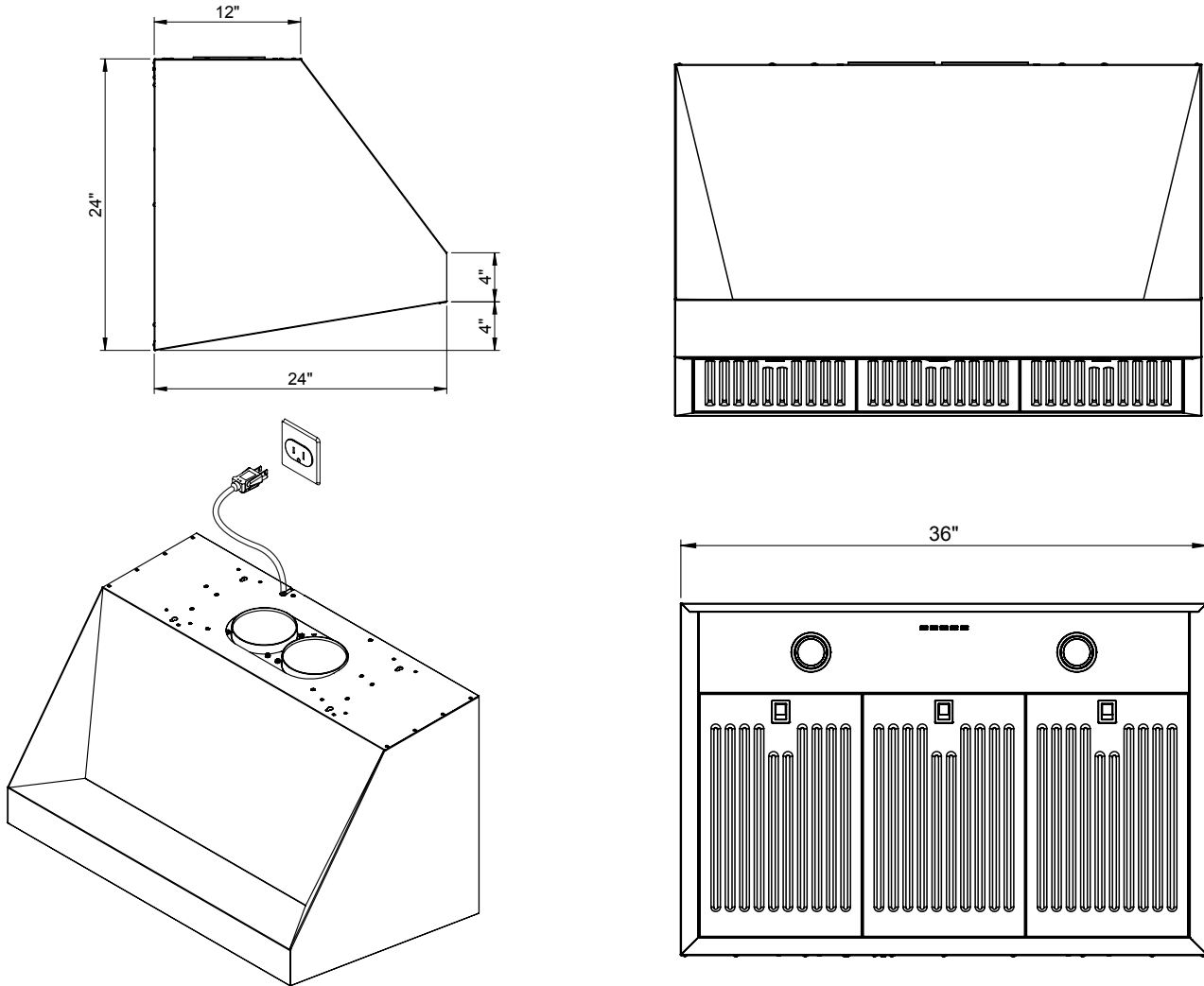


Tools Required

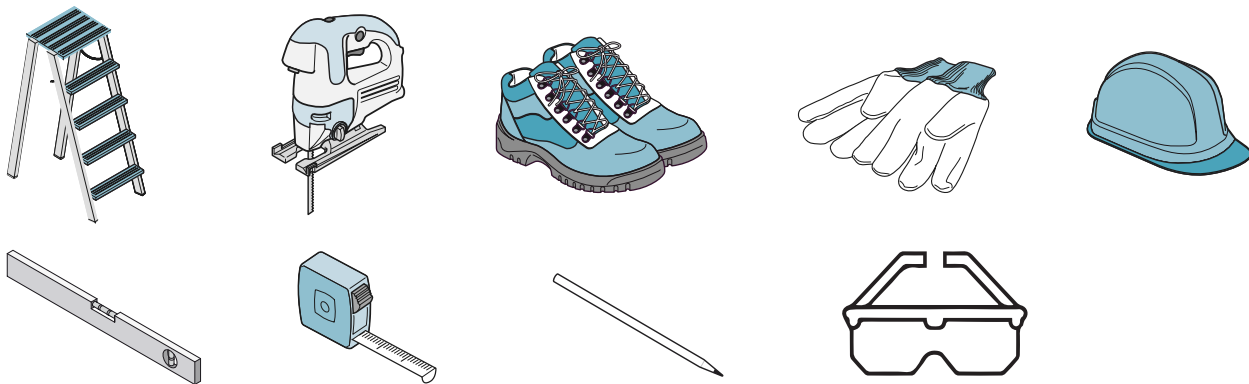


Model Number	Voltage	Frequency	Power	Weight
FH3624	120 V	60 Hz	706 W	68 lb / 30.95 kg

*(Dual blower)

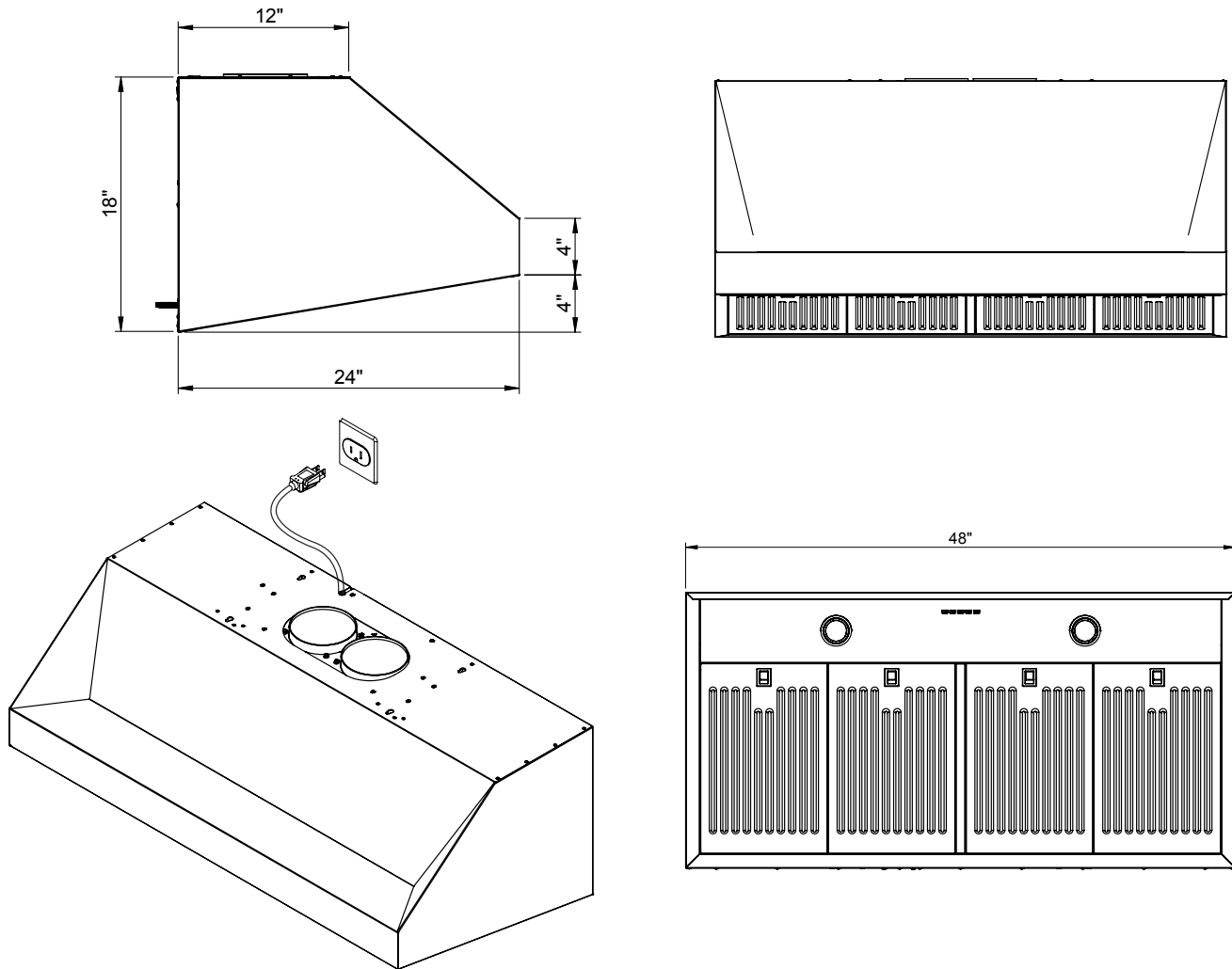


Tools Required

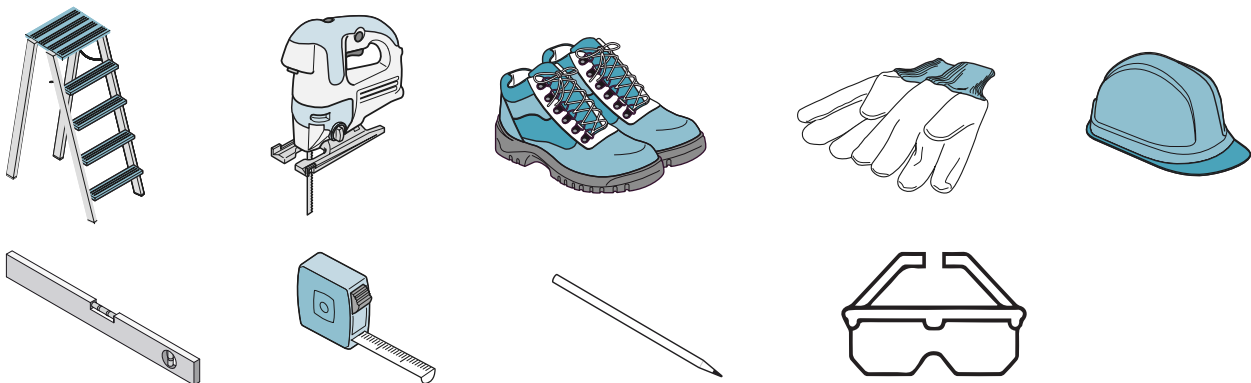


Model Number	Voltage	Frequency	Power	Weight
FH4818	120 V	60 Hz	706 W	

*(Dual blower)

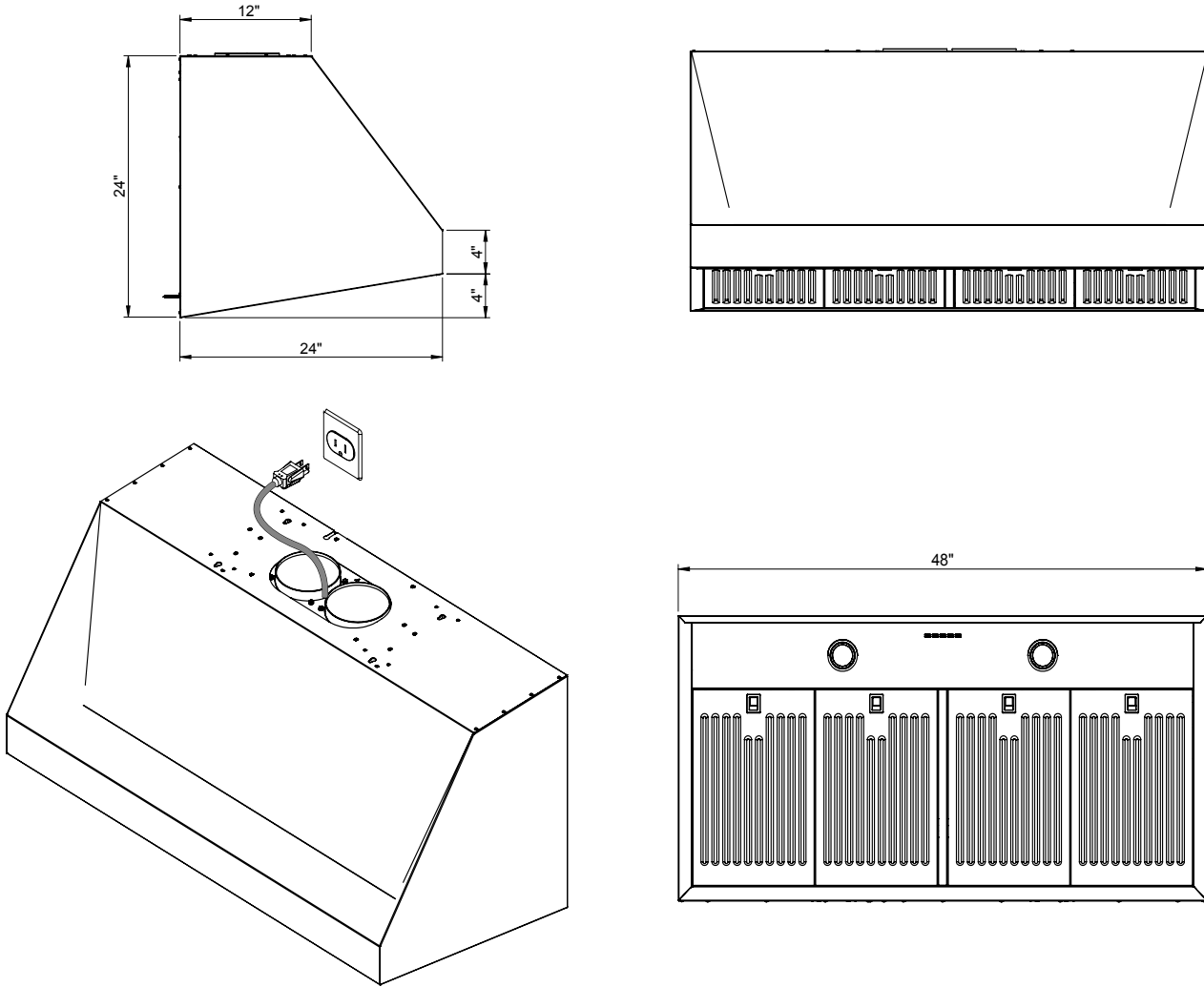


Tools Required

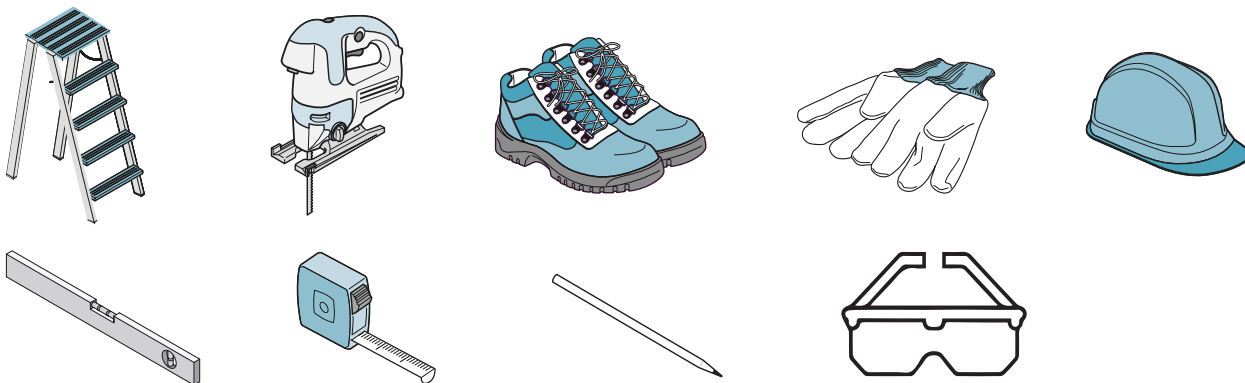


Model Number	Voltage	Frequency	Power	Weight
FH4824	120 V	60 Hz	706 W	

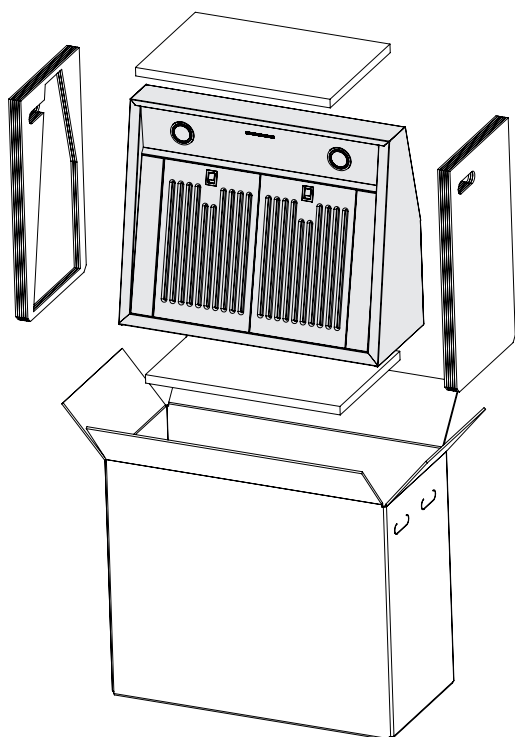
*(Dual blower)



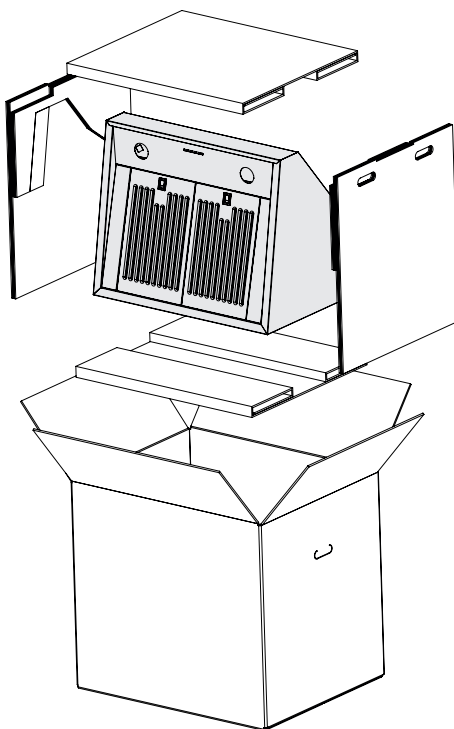
Tools Required



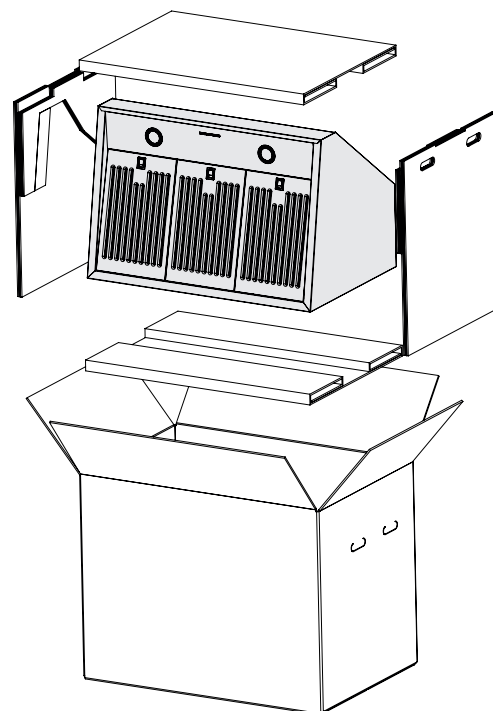
FH3011 - FH3611



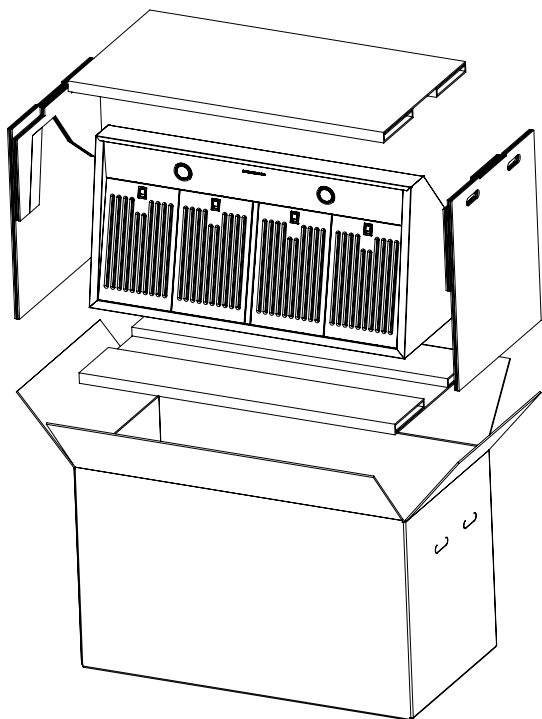
FH3018 - FH3618



FH3624



FH4818 - FH4824



Check the contents of the box before installing the product.
If any items are missing or damaged contact the manufacturer.

Remove the bag of component accessories from inside the
body of the hood.

Contents of bag according to model:

No. 2 – 3.5 x 9.5 mm

No. 4 – 4.5 x 40 mm

No. 4 – Dowel Ø8

No. 6 – 4.5 x 15 mm

No. 4 – M4 x 10 mm

Preparation for Installation



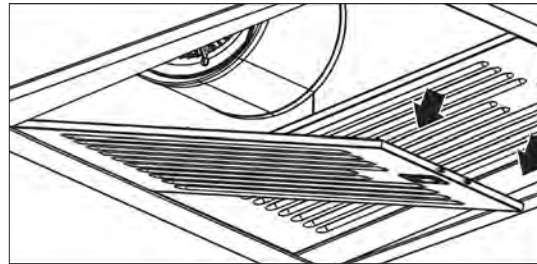
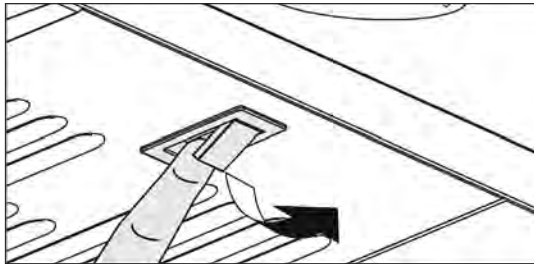
Remove the protective plastic film from the product before installing.

It is advisable to wear personal protective equipment during installation.



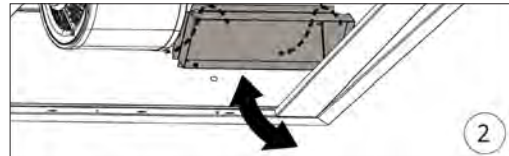
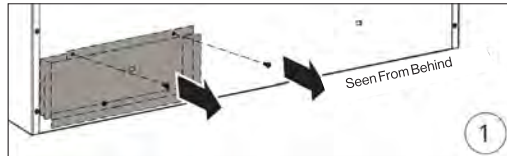
Before installing the product remove the indicated accessories from the body of the hood, as shown in the figures. These parts must be removed even if they are not used during installation. The screws provided are required during the installation of the component.

1. Remove the filters.

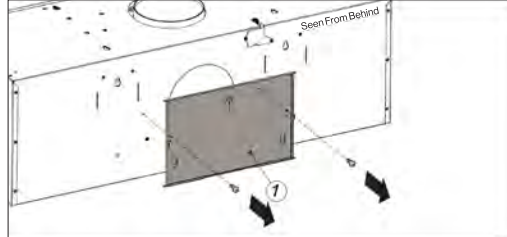


2. Remove the accessories.

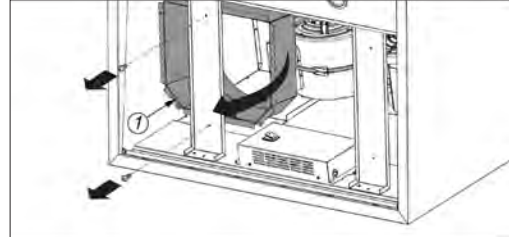
FH3011



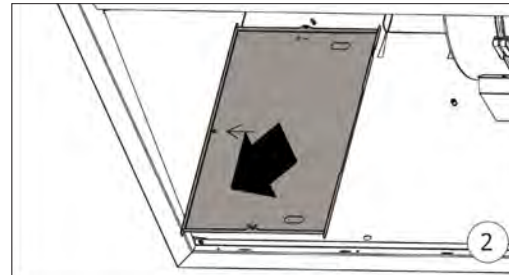
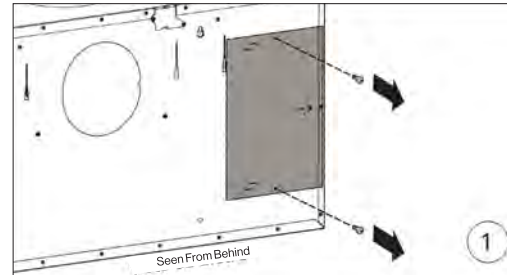
FH3611



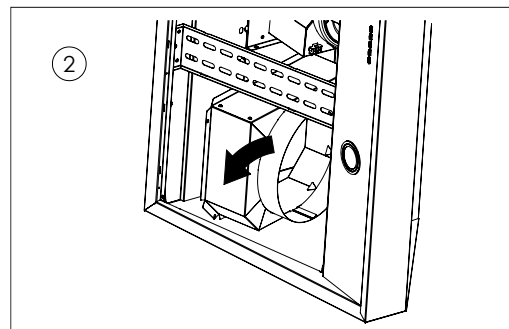
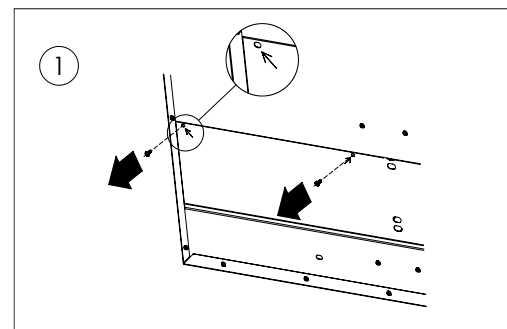
FH3624



FH3018 - FH3618

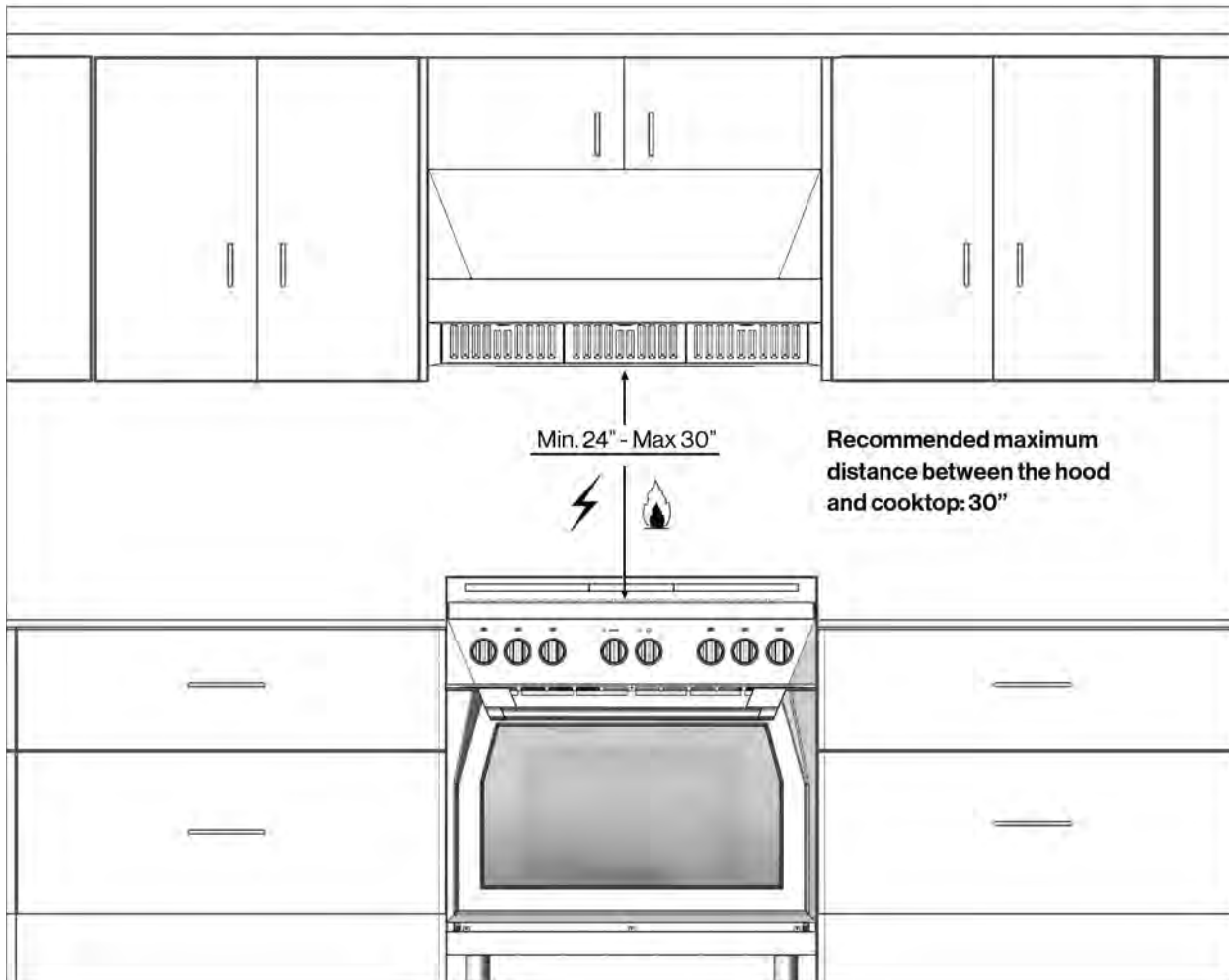


FH4818 - FH4824



IMPORTANT: The minimum hood installation height requirements indicated in the cooktop / range instructions take precedence over the requirements outlined in this manual. If missing from the cooktop manual, refer to the measures shown in figure (1).

Figure 1

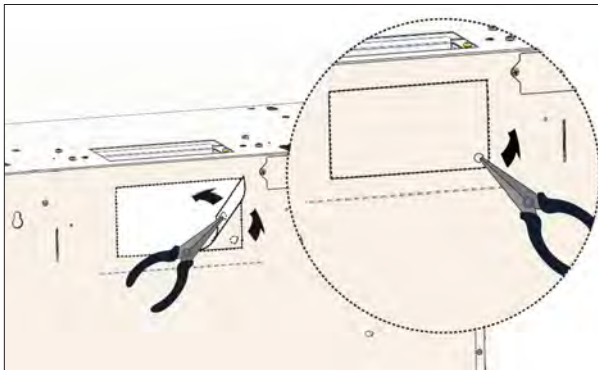


Installation

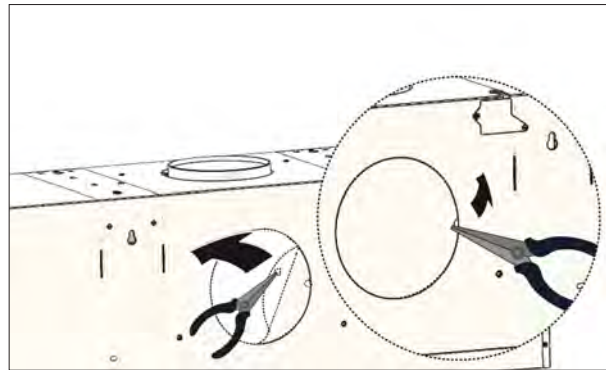
Horizontal Vent Option

(PRE-CUT)

FH3011

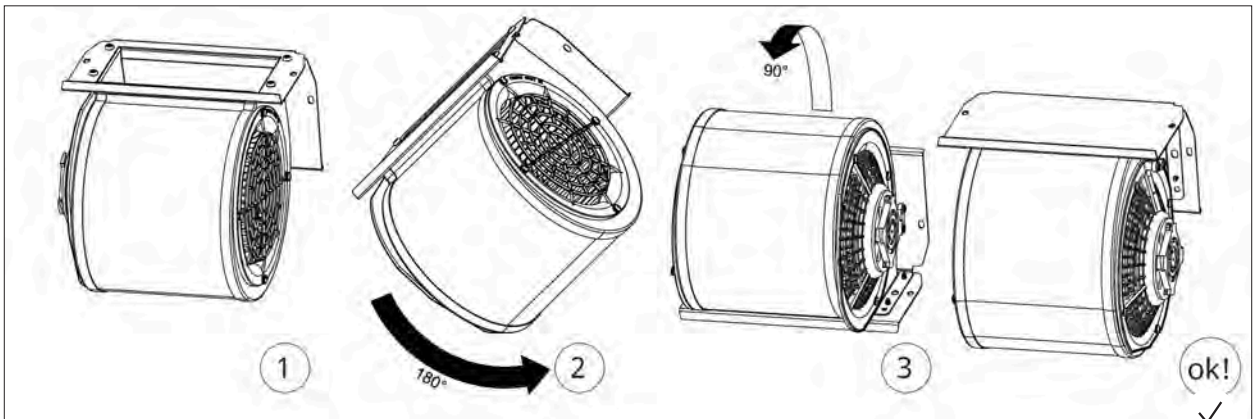
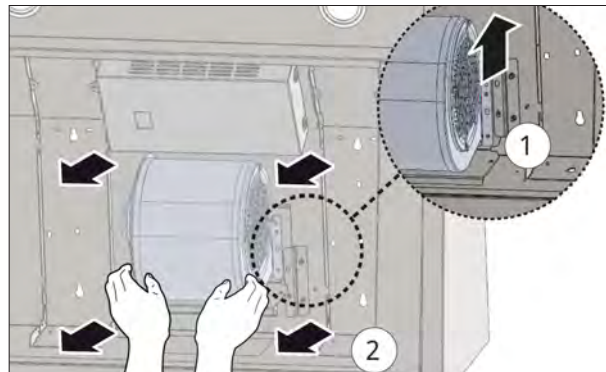
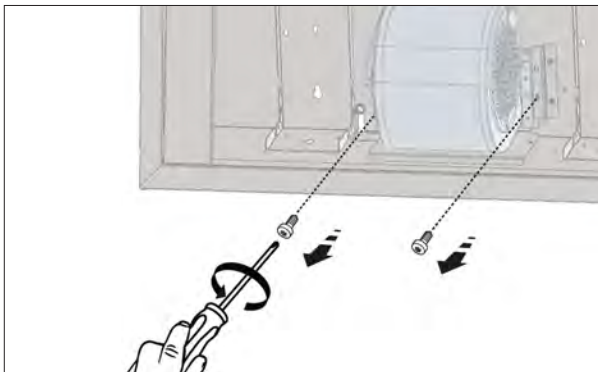


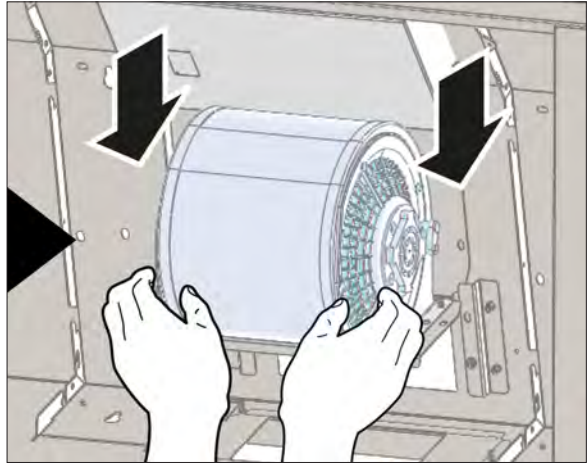
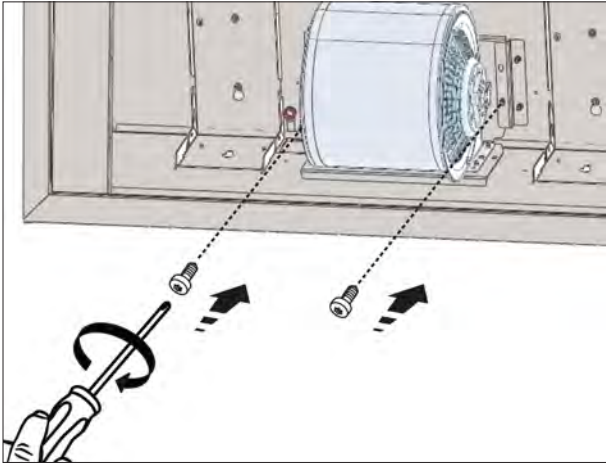
FH3611 - FH3018 - FH3618



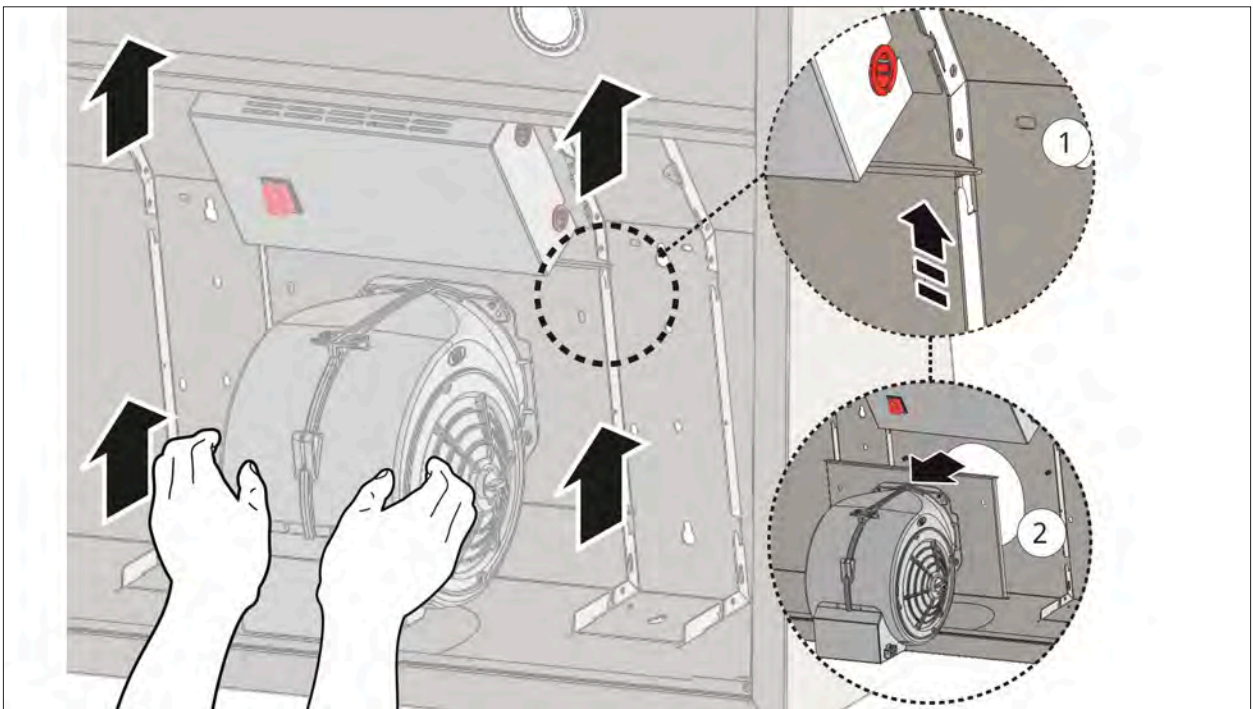
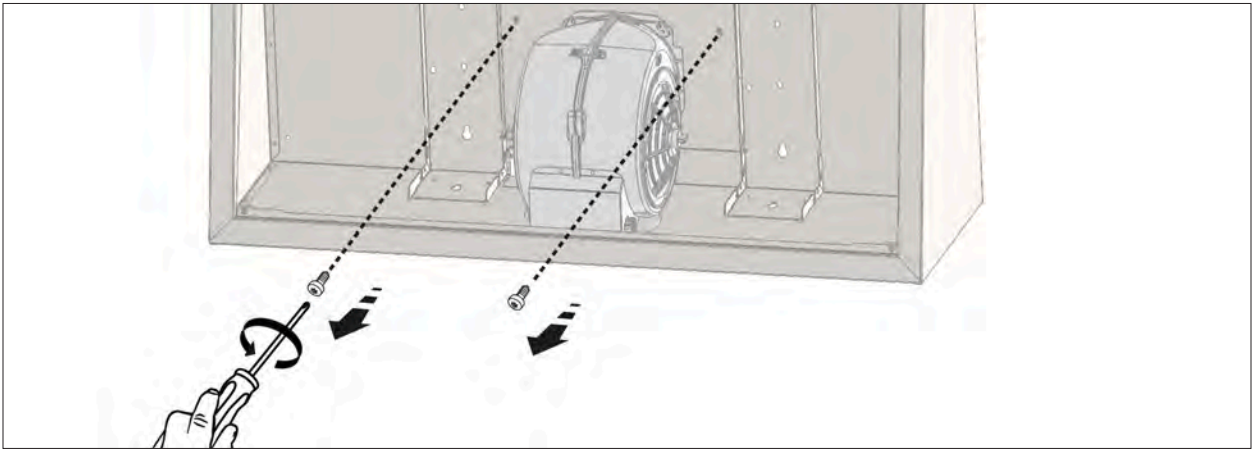
(Positioning of motor for horizontal vent)

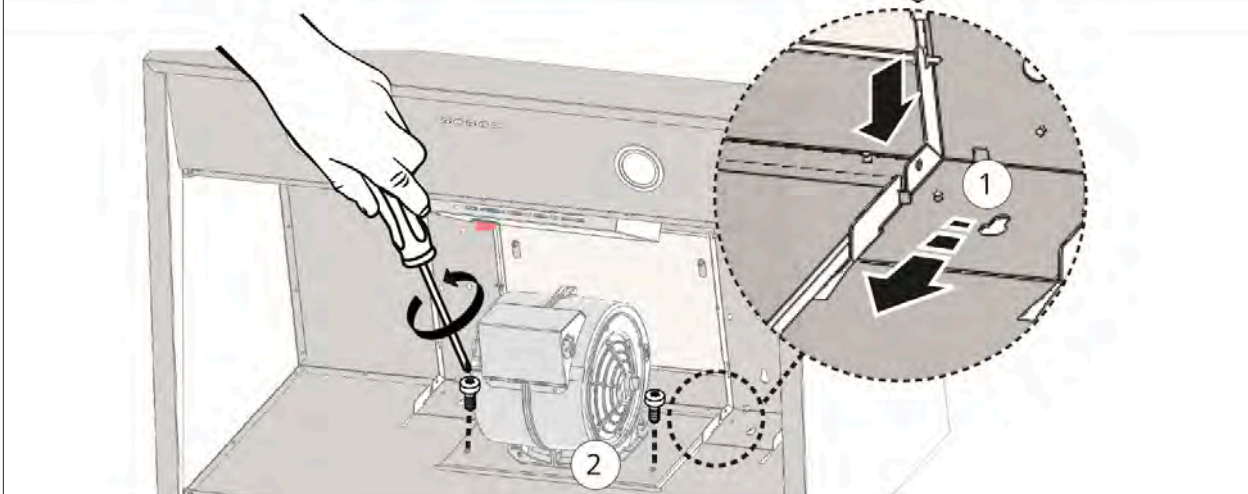
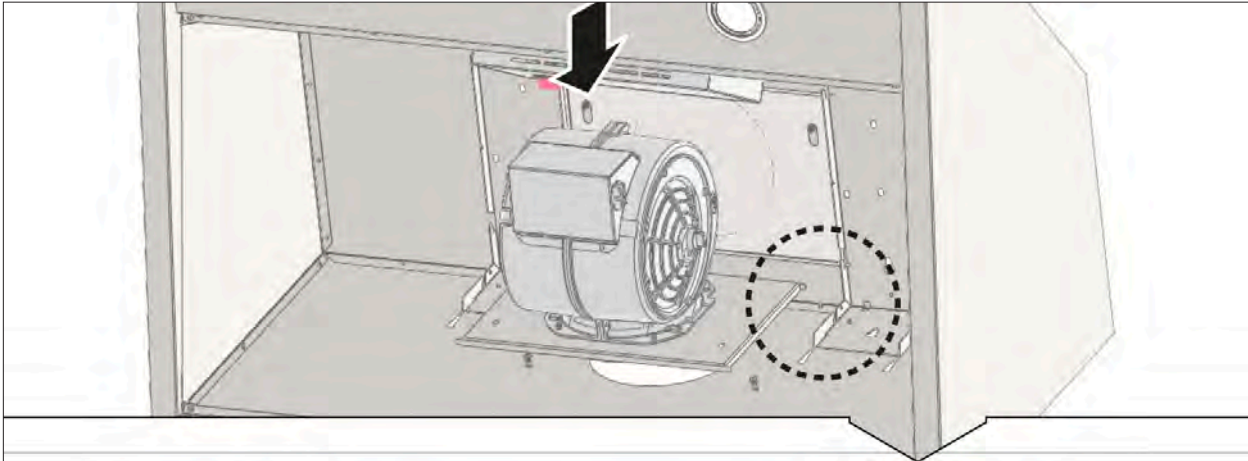
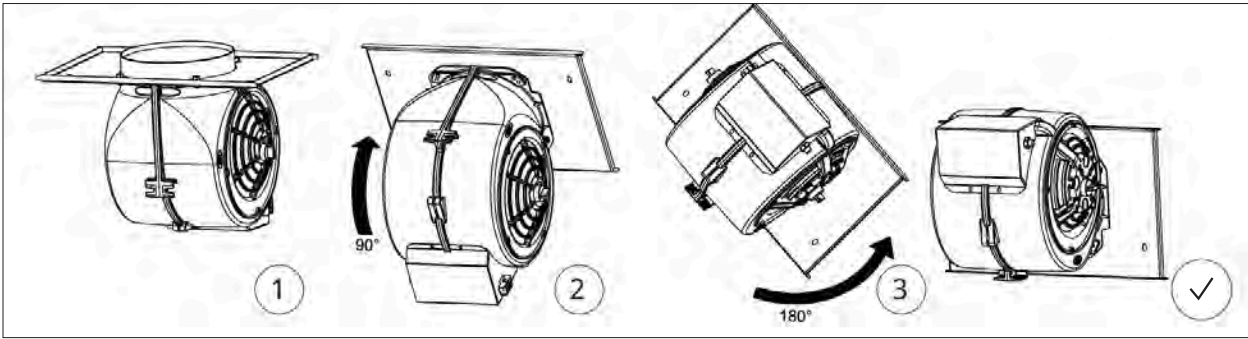
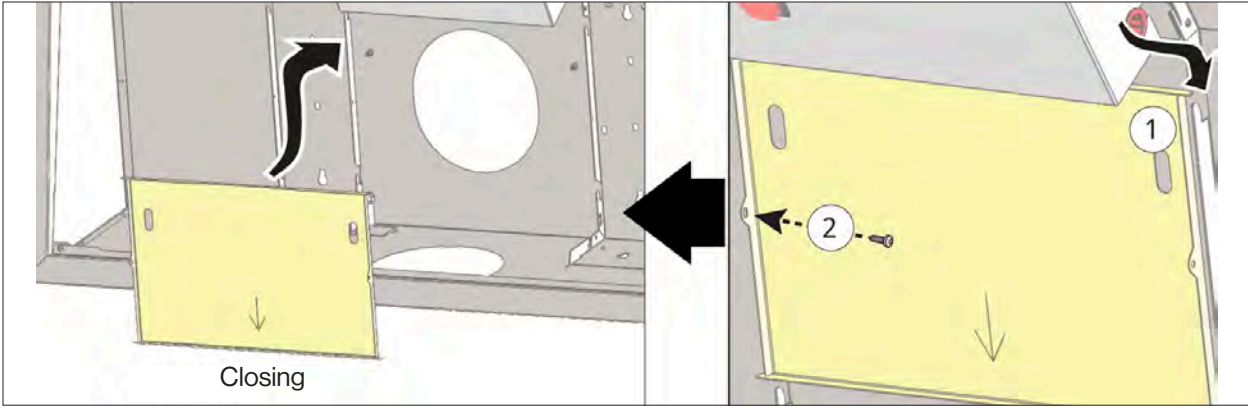
FH3011





FH3611 - FH3018 - FH3618



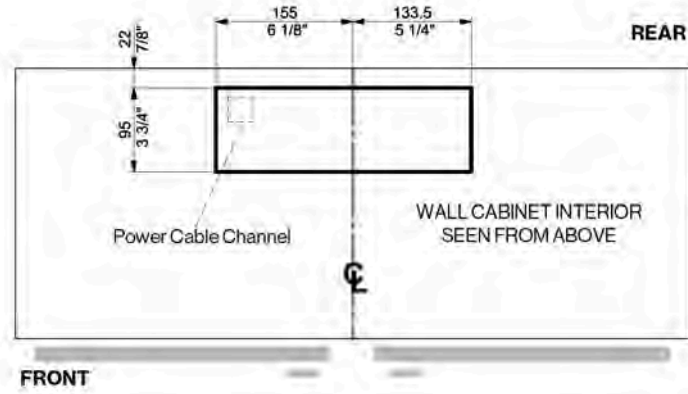


Installation Under Wall Cabinet with Cabling

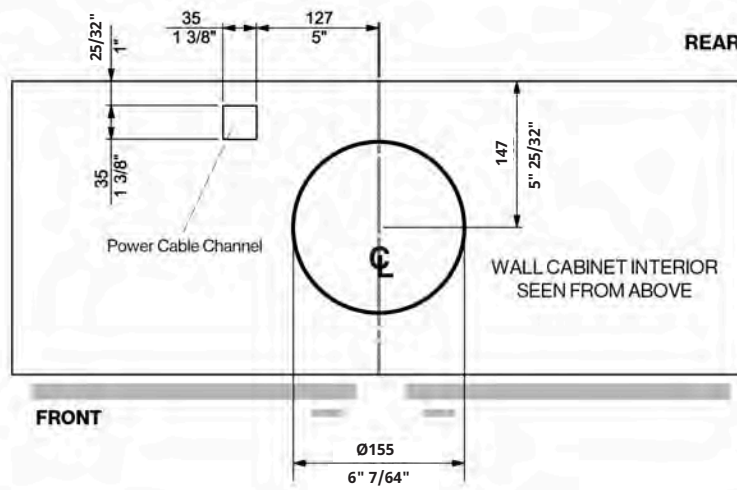
Vent Option

(PRE-CUT)

FH3011

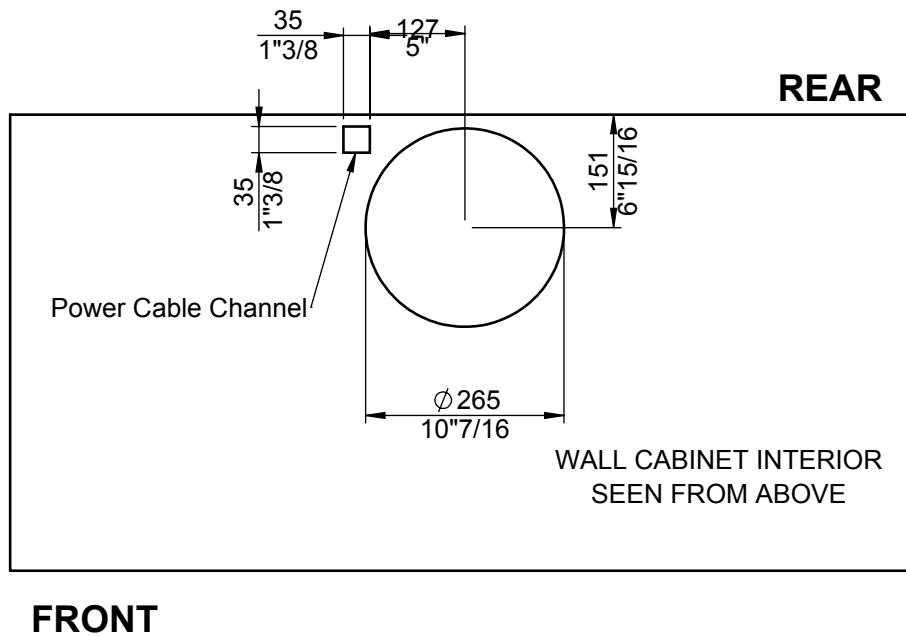


FH3611 - FH3018 - FH3618



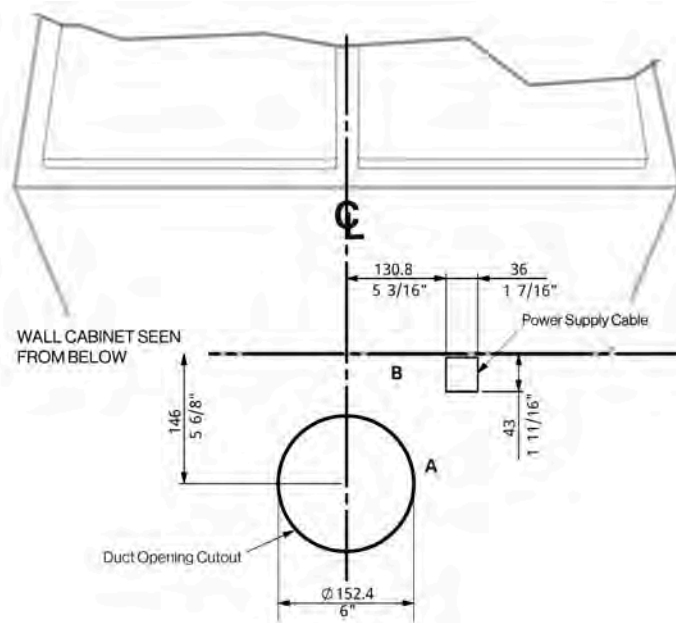
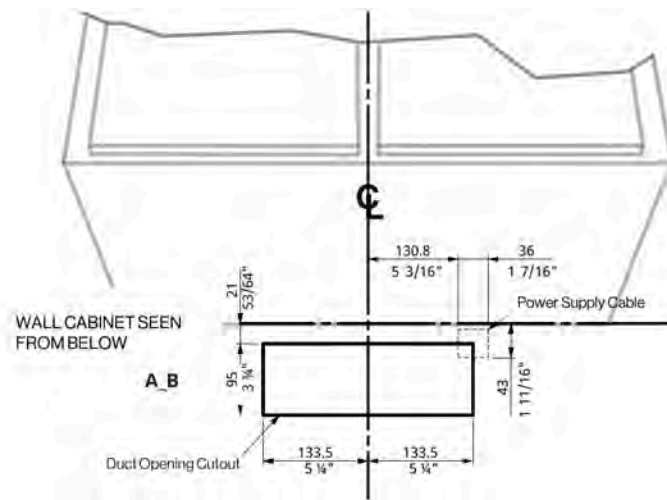
FH3624 - FH4818 - FH4824

*(Only with reinforcing Wooden blocks)

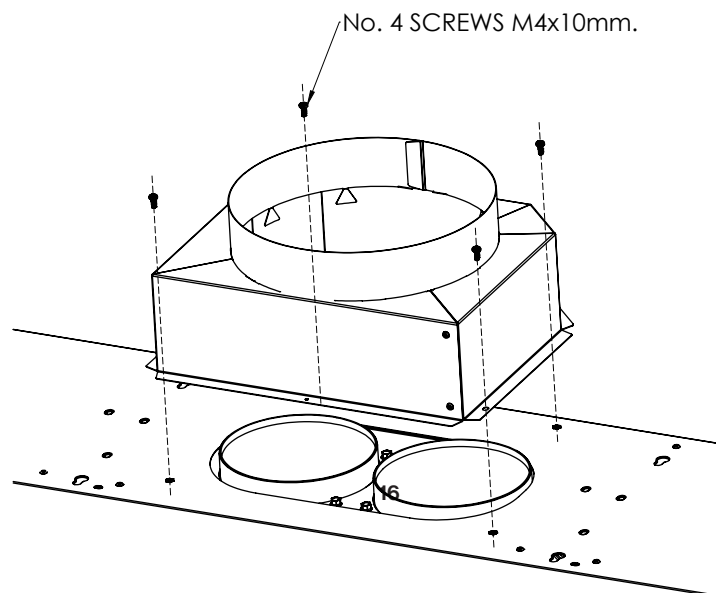


Wall-Mounted Horizontal Vent

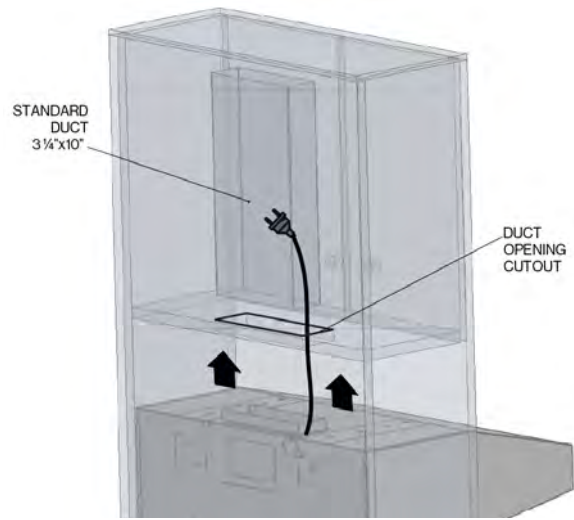
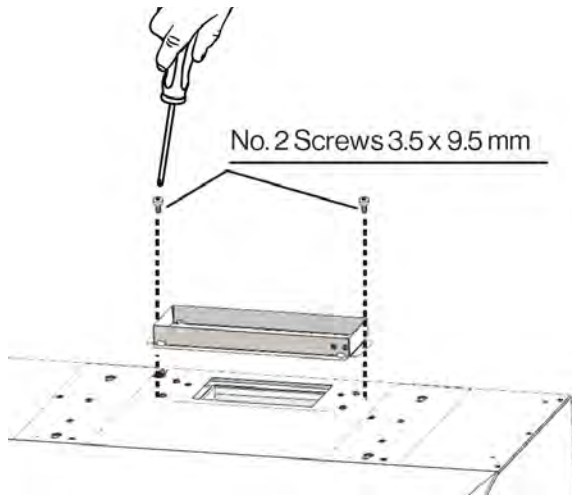
FH3011



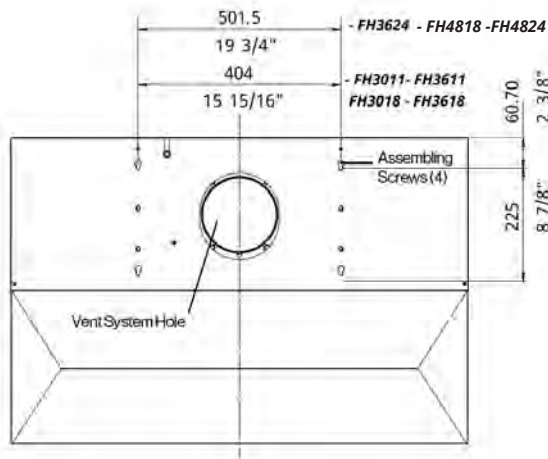
FH3624 - FH4818 - FH4824



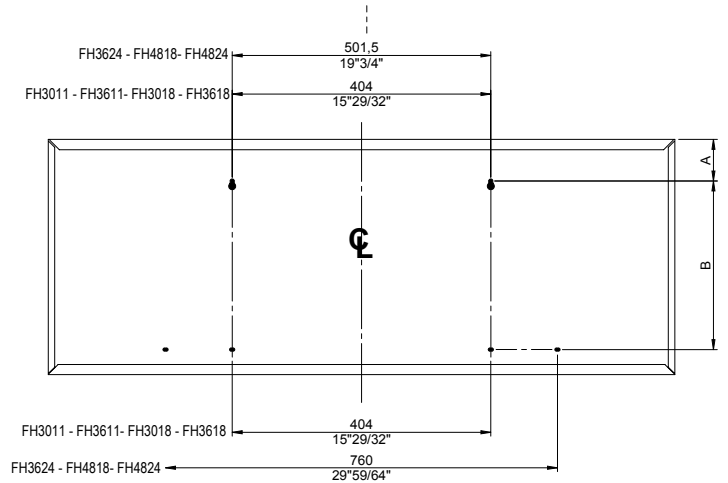
FH3011



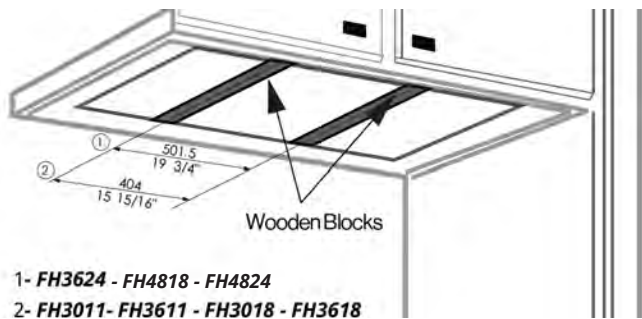
Installation Measurements



Wall Installation Measurements

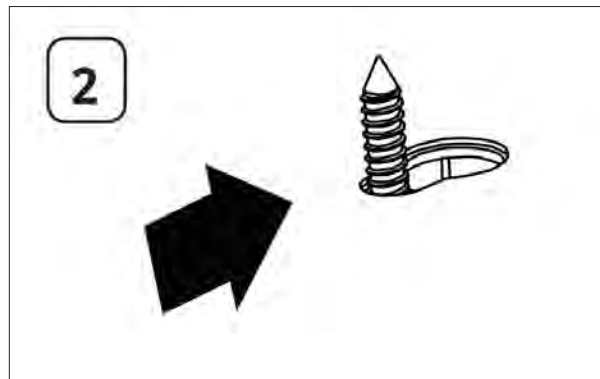
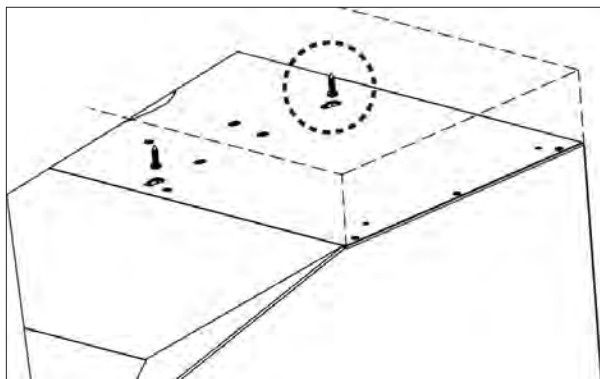
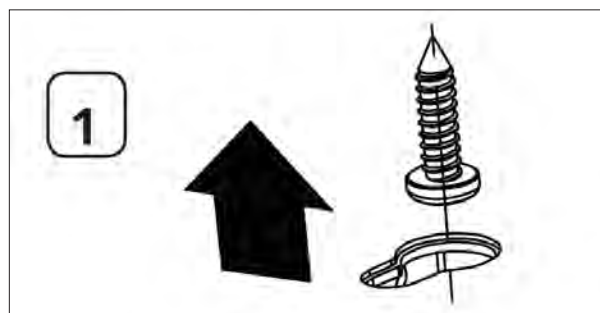
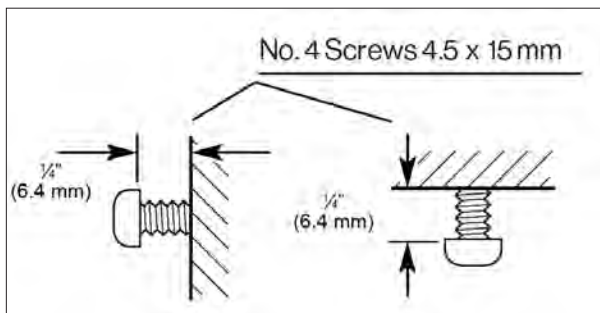
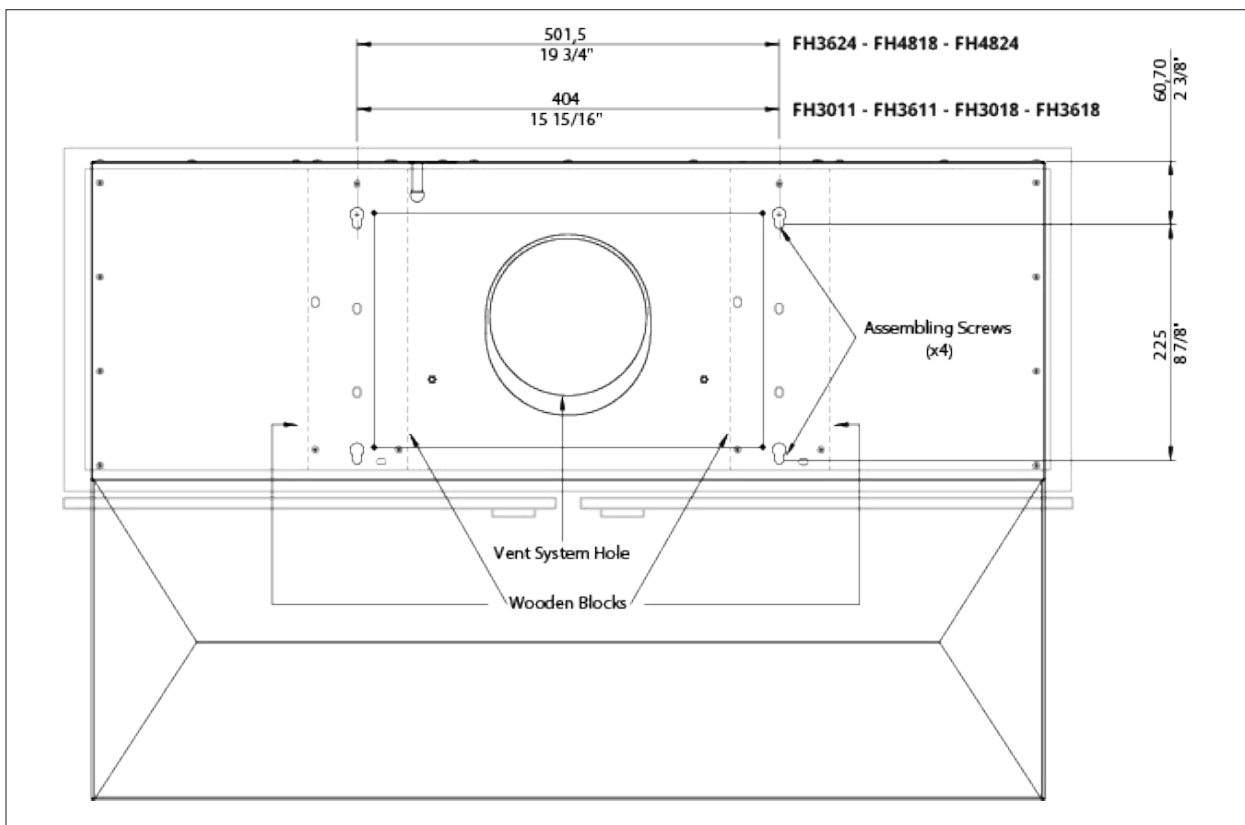


Reinforcement for Bottom of Wall Cabinet (not included)

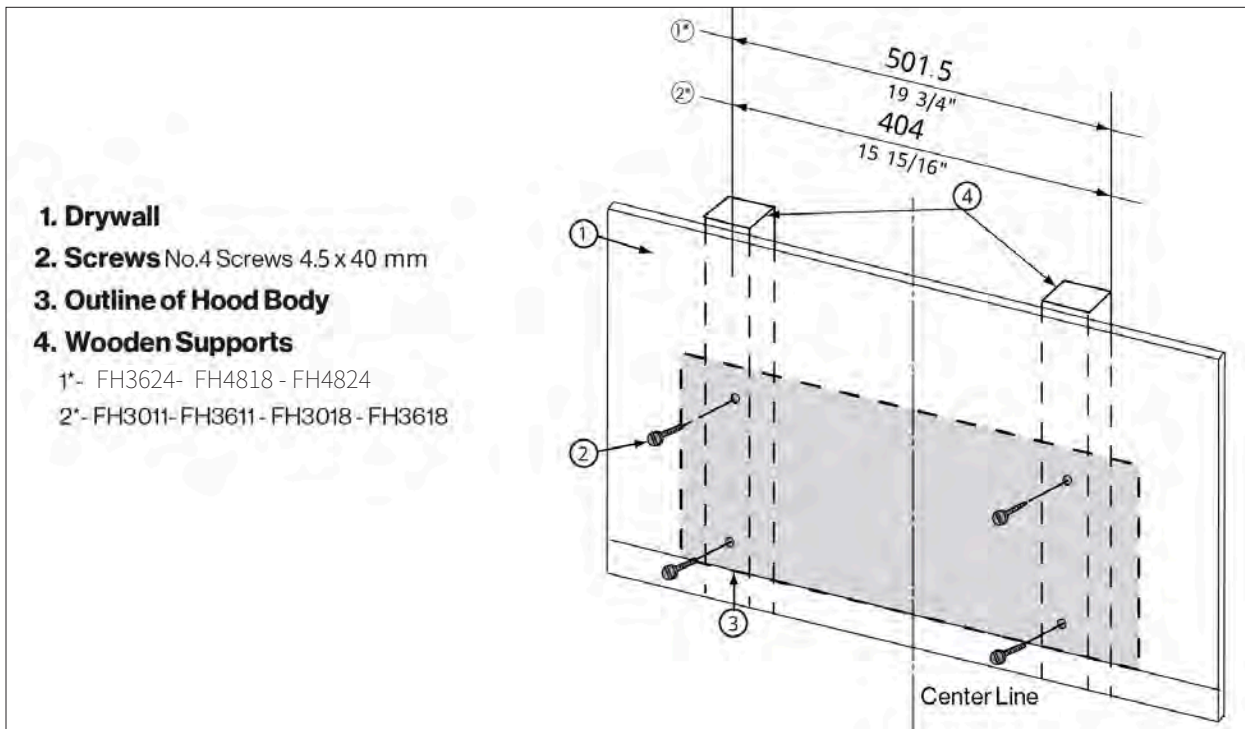


Model Number	A - Dimension Value	B - Dimension Value
FH3011	51mm. 2"	176mm. 6"59/64"
FH3611	51mm. 2"	176mm. 6"59/64"
FH3018	51mm. 2"	357mm. 14"1/16"
FH3618	51mm. 2"	357mm. 14"1/16"
FH4818	81mm. 3"3/16"	327mm. 12"7/8"
FH3624	81mm. 3"3/16"	420mm. 18"7/64"
FH4824	81mm. 3"3/16"	420mm. 18"7/64"

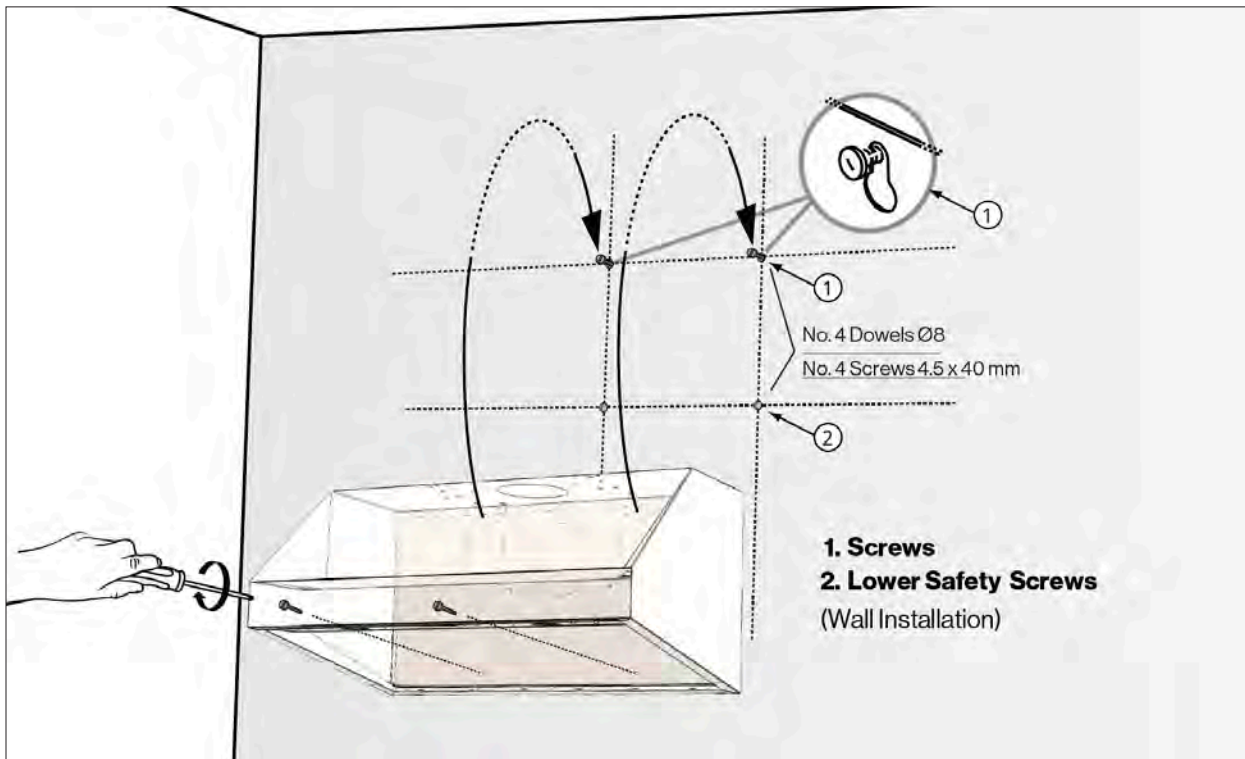
Installation Under Wall Cabinet



Drywall Reinforcement



Wall Installation



Cleaning and Maintenance

WARNING

Read and follow these instructions.

This instruction booklet must be kept together with the appliance for future reference. If the appliance is sold or consigned to other parties, check that the booklet is supplied with it to ensure that the new user has the correct information on the operation of the range hood and is aware of the warnings. These warnings have been provided for your safety and the safety of others. As a result, please read them carefully before installing and operating the appliance. This appliance is not intended for use by persons (including children) with reduced physical, sensory or mental capabilities, or persons who lack the necessary experience and knowledge, unless they are supervised or given instructions on the use of the appliance by a person responsible for their safety. Children should be supervised to ensure that they do not play with the appliance. The appliance must be installed by qualified personnel in accordance with the standards in force. If the power cable is damaged it must be replaced by the manufacturer, its authorized service technician or similarly qualified persons in order to avoid hazards. Any modifications that may be required to the electrical system for the installation of the range hood must only be made by qualified electricians. It is dangerous to modify or attempt to modify the characteristics of this system. In the event of malfunctions or if repairs are required to the appliance, do not attempt to solve the problems yourself. Repairs performed by unqualified persons may cause damage. For all repairs and other work on the appliance, contact an authorized service/spare parts center. Always check that all electrical parts (lights, exhaust device) are off when the appliance is not being used. Read the entire instruction booklet before performing any operations on the range hood.

The range hood must only be used for the ventilation of cooking fumes in home kitchens. The manufacturer shall not be held liable for any other use of the appliance. The maximum weight of any object placed above the hood, or hung to it (if possible), must not exceed 2.67 lb. After installing the stainless steel hood, clean it to remove any residues of the protective glue and grease or oil stains. The manufacturer recommends using the dedicated cleaning cloth, available for purchase separately. The manufacturer shall not be held liable in the event of damage caused by different types of detergent. Do not operate any fan with a damaged cable or plug. Dispose of the fan or return it to an authorized service center for examination and/or repair. Do not run cables under carpeting. Do not cover cables with throw rugs, runners, or similar coverings. Do not run cables under furniture or appliances. Arrange cables away from busy areas where people will not trip over them.

CAUTION:

- This product must be disposed of at end of its life according to the rules in force.
- The electrical system features an earth connection in compliance with international safety standards; furthermore, it is compliant with the USA and Canada standards for electromagnetic compatibility.
- Do not connect the appliance to flues (from boilers, fireplaces, etc.). Make sure the main voltage corresponds to the values on the rating plate located inside the range hood.
- Never cook on “open” flames under the range hood.
- Check deep-fryers during use: overheated oil may be flammable.
- Ensure there is adequate ventilation in the room when the range hood is used at the same time as appliances, burning gas or other fuels.
- Do not flambé under the range hood.

- Exhaust air must not be discharged into a flue which is used for exhausting fumes from appliances, burning gas or other fuels.
- Ensure that all regulations concerning the discharge of exhaust air have been met before you use the appliance.

Before performing any cleaning or maintenance operations, disconnect the appliance by unplugging it or using the main switch. The manufacturer shall not be held liable for any damage that may directly or indirectly cause harm to people, things and animals due to the failure to follow the instructions provided in this booklet—including the warnings relating to the installation, operation and maintenance of the appliance.

- There is a fire risk if cleaning is not carried out in accordance with the instructions.

CAUTION: Accessible parts may become hot when used with cooking appliances.

- Max. screw length for fixing the chimney is 25/64 mm (provided by the manufacturer).



WARNING: Failure to install the screws or fixing device in accordance with these instructions may result in electrical hazards.



WARNING: To reduce the risk of fire, use only metal ductwork.



WARNING – To reduce the risk of a range top grease fire:

- Never leave surface units unattended at high settings. Boilovers cause smoking and greasy spillovers that may ignite. Heat oils slowly on low or medium settings.
- Always turn the hood ON when cooking over a high heat or when flambéing food (i.e. Crepes Suzette, Cherries Jubilee, Peppercorn Beef Flambé).
- Clean ventilator fans frequently. Grease should not be allowed to accumulate on the fan or filter.
- Use pans of a suitable size. Always use cookware appropriate for the size of the surface element.



WARNING: To reduce the risk of injury to persons in the event of a range top grease fire, observe the following:

- SMOTHER FLAMES with a close-fitting lid, cookie sheet or metal tray, then turn off the burner. TAKE CARE TO PREVENT BURNS. If the flames do not go out immediately, EVACUATE AND CALL THE FIRE DEPARTMENT.
- NEVER PICK UP A FLAMING PAN – You may be burned.
- DO NOT USE WATER, including wet dishcloths or towels – a violent steam explosion will result.
- Use an extinguisher ONLY if:
 - You know you have a Class ABC extinguisher and you already know how to operate it.
 - The fire is small and contained in the area where it started.
 - The fire department has been called.
 - You can fight the fire with your back to an exit.

Technical Specifications

The technical specifications of the appliance are shown on the rating plates located inside the range hood.

Electrical Connection

Before carrying out any work inside the hood, disconnect the appliance from the mains. Check that the wires inside the hood are not disconnected or cut; if they are, contact your service center. The electrical connections must be made by qualified personnel. The connections must be made in accordance with the legal regulations in force. Check that the safety valve and the electrical wiring are able to support the appliance's electrical load (see the label inside the product). Some types of appliances are supplied with a cable without a plug; in this case "standard" plugs must be used, making sure that:

- The green-yellow wire is used for earthing;
- The blue wire is used as the neutral conductor;
- The brown wire is used as the single-phase conductor; the wire must not come into contact with hot parts (over 70°C).
- An appropriate plug for the power cable load is used and connected to a suitable electric socket.

For appliances supplied with cable and plug, make sure they are connected to a suitable electric circuit. Please consult an expert. The manufacturer shall not be held responsible for any failure to respect safety standards.

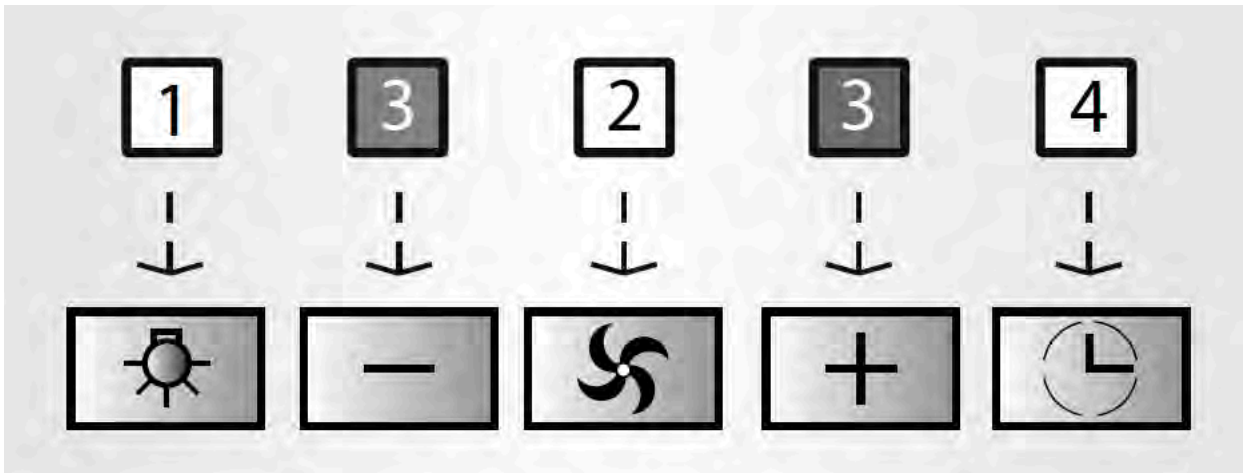
Earthing Instructions

This appliance must be earthed. In the event of an electrical short circuit, earthing reduces the risk of electric shocks, providing an outlet for the electrical current. This appliance comes with a cable with an earthed wire and an earthed plug. The plug must be inserted in a correctly installed and earthed socket.



WARNING: Incorrect earthing could carry the risk of electric shocks. Consult a qualified electrician if you have not fully understood the earthing instructions or if you think that the appliance may not be correctly earthed. Do not use an extension cable. If the power cable is too short, ask a qualified electrician to install a socket near the appliance.

Electronic Control Of Buttons



- 1) Hood light on/off (the button light is on when the hood light is on).
- 2) Hood extractor on/off (the button light is on when the extractor is on).
- 3) (- Symbol) Reduces extractor speed (the button light is on when the function is activated).
- 3) (+ Symbol) Increases extractor speed (the button light is on when the function is activated).
- 4) Timer function, the extraction time at levels 1, 2 and 3 is 15 minutes and the hood turns off automatically. At speed 4 the timer function turns on, the button lights up and the extractor fan works for 7 minutes, before switching to speed 3.

For maximum efficiency, speed 3 should be used when there are strong smells and lots of steam, speed 2 in normal conditions and speed 1 to keep the air clean with minimal energy consumption. The hood must be turned on when you start cooking and left on until all odors have disappeared.

Baffle And Mesh Filters

Use the handle to remove the metallic grease filter.

Baffle Filters

These capture the grease particles in the air. They can be washed and must be cleaned every month with hot water and detergent. The filters can be washed in the dishwasher. Wait until they are completely dry before putting them back in the hood. This operation should be carried out at regular intervals.

Lights

The hood has high-efficiency and low power consumption LED lights that work for many hours in regular conditions.

Maintenance And Cleaning

Do not spray detergents directly on the controls when cleaning the hood.

The hood must be cleaned regularly (at least as frequently as the maintenance of the grease filters) internally and externally. Clean using a cloth moistened with neutral liquid detergent. Do not use abrasive products.

DO NOT USE ALCOHOL!



WARNING: Ignoring the basic advice for cleaning the hood and replacing the filters could lead to a fire risk. As such, it is advisable to follow these instructions. The manufacturer shall not be held liable for damage to the motor or other forms of damage caused by inadequate maintenance or the failure to comply with the above safety recommendations.

FORZA WARRANTY U.S.A.

FREESTANDING GAS RANGES – DISHWASHERS – RANGE HOODS

The warranties provided by Forza in this statement apply exclusively to Forza appliances and accessories sold as new products to the original owner by a Forza authorized distributor, retailer, dealer or service center and installed in the United States.

The warranties provided in this statement are not transferable and have validity from the date of original purchase.

Duration of warranty:

For twenty-four (24) months from the original date of purchase, the Forza warranty covers all parts and labor to repair or replace, under normal residential use, any part of the product proving to be defective in material or workmanship as a result of the original manufacturing process. Repair service must be performed by a Forza Authorized Service Center during normal working hours.

Responsibilities of the buyer:

When writing or calling about a service problem, please include the following information:

- Your name, address and telephone number;
- Appliance model and serial number;
- Name of your dealer;
- A clear description of the problem you are having;
- Proof of purchase (sales receipt).

Cosmetic warranty:

Forza will cover parts showing cosmetic defects (doors, handles, glass, product frames, racking and interior, exterior surfaces) in material and workmanship for a period of seven (7) days after the delivery of the unit. This coverage will include scratches, stains, surface imperfections on stainless steel, paint and porcelain, with the exclusion of slight differences in color due to materials and painting/enameling technologies. However, slight color variation may be noticed because of the inherent differences in painted parts and porcelain parts as well as differences in kitchen lighting, product locations, and other factors. Therefore, this warranty does not apply to color variation attributable to such factors.

WHAT IS NOT COVERED:

- 1) The product used in any commercial application.
- 2) Service trips to your home, during which no fault is found.
- 3) Repair service provided by any service agency that is not Forza authorized.
- 4) Damage or repair service to correct any service provided by an unauthorized agency.
- 5) Damage or repair service to correct the use, addition or substitution of any original part with an unauthorized part.
- 6) Installation not in accordance with local electrical codes or plumbing codes.
- 7) Defects or damage due to improper storage of the product.
- 8) Damages due to failure in following the manufacturer's recommended care, cleaning and maintenance instructions; in particular, damages to the oven and/or the cooktop if they have not been cared and cleaned according to these instructions.
- 9) Defects, damages or missing parts on products sold out of the original factory packaging or from displays.
- 10) Service calls or repairs to correct the installation of the product and/or related accessories, calibrations and normal adjustments after installation and setup, including burner adjustments.

- 11) Service calls to connect, convert or otherwise repair the electrical wiring and/or gas line to properly use the product.
- 12) Service calls to provide instructions on the use of a Forza product.
- 13) Repair or failure of the product if it is abused, misused, used improperly, used for other than the intended purpose or if used commercially/industrially.
- 14) Damage or repairs caused by the use of harsh chemicals or cleaning products improperly applied.
- 15) Replacement of wear and tear parts.
- 16) Replacement of house fuses or resetting of circuit breakers.
- 17) Damages to anything situated next to the product, including, but not limited to, ceiling, floor or cabinetry.
- 18) Defects and damages arising from accidents, alterations, misuse, abuse, improper installation, or installation that does not conform to instructions given by Forza.
- 19) Damages occurred during transit, handling and/or installation of the product.
- 20) Defects and damage arising from external forces beyond the control of Forza such as fire, flood, earthquakes and other acts of God.
- 21) Forza cannot guarantee the availability of service in areas more than 30 miles from an authorized retailer. In such cases where travel charges are levied, those will be borne by the consumer.
- 22) This warranty only covers service performed at the location of product installation and will not cover costs associated with repairing off-site unless expressly authorized by Forza nor does it cover the travel costs associated with providing service to remote locations.
- 23) Replacement filters for ventilation hood recirculating kits are not covered by the product warranty.
- 24) Products with original serial numbers that have been removed.
- 25) Replacement light bulbs are not covered by the product warranty.
- 26) Damages to people or property caused by the product or through its usage.

In the case that the product is will be installed in a remote area, where certified trained technicians are not reasonably available, the customer will be responsible for the transportation costs for the delivery of the product to the nearest authorized service center or for the travel costs of a certified trained technician.

Remote locations/area: are defined as being outside of a 30 miles from any service provider.

Forza reserves the right to revise this warranty at any time.

Forza does not assume any responsibility for incidental or consequential damages. Some states do not allow the exclusion or limitation of incidental or consequential damages, so the above limitation or exclusion may not apply to you. This warranty gives you specific legal rights and you may also have other rights which may vary from state to state.

FORZA WARRANTY U.S.A.

B-STOCK/ DISPLAY MODEL

FREESTANDING GAS RANGES – DISHWASHERS – RANGE HOODS

The warranties provided by Forza in this statement apply exclusively to Forza appliances and accessories sold to the original owner by a Forza authorized distributor, retailer, dealer or service center and installed in the United States.

The warranties provided in this statement are not transferable and have validity from the date of original purchase.

B-Stock (refurbished product, product returns, 'scratch and dent' products, old stock (defined as more than one year's difference between production date and date of sale to end user, discounted product etc.) and display models (trade shows, dealer, project or distributor showroom display models, etc.) are not considered 'new', in-the-box product and are thus not covered by FORZA standard warranty.

For any functional or cosmetic issue not disclosed by the seller realized at initial inspection / commission of the product: please contact the seller.

Duration of warranty:

FULL NINETY DAY TOTAL PRODUCT WARRANTY

For ninety days from the original date of purchase, the FORZA product warranty covers all parts and labor to repair or replace, under normal residential use, any part of the product proving to be defective in material or workmanship as a result of the original manufacturing process. There is no service or cosmetic warranty of any kind of B-Stock model.

Responsibilities of the buyer: When writing or calling about a service problem, please include the following information:

- Your name, address and telephone number;
- Appliance model and serial number;
- Name of your dealer;
- A clear description of the problem you are having;
- Proof of purchase (sales receipt).

WHAT IS NOT COVERED:

- 1) The product used in any commercial application.
- 2) Service trips to your home, during which no fault is found.
- 3) Repair service provided by any service agency that is not Forza authorized.
- 4) Damage or repair service to correct any service provided by an unauthorized agency.
- 5) Damage or repair service to correct the use, addition or substitution of any original part with an unauthorized part.
- 6) Installation not in accordance with local electrical codes or plumbing codes.
- 7) Defects or damage due to improper storage of the product.
- 8) Damages due to failure in following the manufacturer's recommended care, cleaning and maintenance instructions; in particular, damages to the oven and/or the cooktop if they have not been cared and cleaned according to these instructions.
- 9) Defects, damages or missing parts on products sold out of the original factory packaging or from displays.
- 10) Service calls or repairs to correct the installation of the product and/or related accessories, calibrations and normal adjustments after installation and setup, including burner adjustments.
- 11) Service calls to connect, convert or otherwise repair the electrical wiring and/or gas line to properly use the product.
- 12) Service calls to provide instructions on the use of a Forza product.

- 13) Repair or failure of the product if it is abused, misused, used improperly, used for other than the intended purpose or if used commercially/industrially.
- 14) Damage or repairs caused by the use of harsh chemicals or cleaning products improperly applied.
- 15) Replacement of wear and tear parts.
- 16) Replacement of house fuses or resetting of circuit breakers.
- 17) Damages to anything situated next to the product, including, but not limited to, ceiling, floor or cabinetry.
- 18) Defects and damages arising from accidents, alterations, misuse, abuse, improper installation, or installation that does not conform to instructions given by Forza.
- 19) Damages occurred during transit, handling and/or installation of the product.
- 20) Defects and damage arising from external forces beyond the control of Forza such as fire, flood, earthquakes and other acts of God.
- 21) Forza cannot guarantee the availability of service in areas more than 30 miles from an authorized retailer. In such cases where travel charges are levied, those will be borne by the consumer.
- 22) This warranty only covers service performed at the location of product installation and will not cover costs associated with repairing off-site unless expressly authorized by Forza nor does it cover the travel costs associated with providing service to remote locations.
- 23) Replacement filters for ventilation hood recirculating kits are not covered by the product warranty.
- 24) Products with original serial numbers that have been removed.
- 25) Replacement light bulbs are not covered by the product warranty.
- 26) Damages to people or property caused by the product or through its usage.

In the case that the product is will be installed in a remote area, where certified trained technicians are not reasonably available, the customer will be responsible for the transportation costs for the delivery of the product to the nearest authorized service center or for the travel costs of a certified trained technician.

Remote locations/area: are defined as being outside of a 30 miles from any service provider.

Forza reserves the right to revise this warranty at any time.

Forza does not assume any responsibility for incidental or consequential damages. Some states do not allow the exclusion or limitation of incidental or consequential damages, so the above limitation or exclusion may not apply to you. This warranty gives you specific legal rights and you may also have other rights which may vary from state to state.

Forza is a brand of Glem Gas S.P.A - Via Modenese 4266, 41018 San Cesario S.P. (Modena), Italy
Web: www.forzacucina.com – Email: service@forzacucina.com

05/10/2020

3LIOU13GG.3