

Table of Contents

1 Installation	6
1.1 General installation instructions	6
1.2 Electrical requirements	7
1.3 Electrical connection	8
1.4 Positioning	11

Important Safety Instructions

WARNING: If the instructions contained in this manual are not followed precisely, fire or explosion may result causing property damage, personal injury or death.



NOTE: This appliance must be installed solely and exclusively by a qualified technician. Any technical procedures must be carried out by an authorized technician.



READ AND SAVE THESE INSTRUCTIONS - Your safety and the safety of others are very important. We have provided many important safety messages throughout this manual and on the appliance. Read all the instructions before using the appliance and always obey all safety messages.



RECOGNIZE SAFETY INFORMATION

This is a safety alert symbol. This symbol alerts you to potential hazards that can result in severe personal injury or death.

UNDERSTAND SIGNAL WORDS

A signal word - DANGER, WARNING or CAUTION - is used with the safety alert symbol. DANGER denotes the most serious hazards. It means you could be killed or seriously injured if you do not immediately follow the instructions. WARNING means you could be killed or seriously injured if the instructions are not followed. CAUTION indicates a potentially hazardous situation which, if not avoided, could result in minor to moderate injury.



Important Safety Instructions

WARNING



- This appliance is intended for home use only.
- Use this appliance only for its intended purpose. The manufacturer cannot be held liable for damage caused by improper use of this appliance.
- This appliance complies with current safety regulations. Improper use of this appliance can result in personal injury and material damage.
- Read all the instructions before installing or using the appliance for the first time.
- Keep these operating instructions in a safe place and pass them on to any future user.

The safety messages will inform you of potential hazards, how to avoid the risk of injury and what can occur if the instructions are not followed.

IMPORTANT: Installation and grounding must conform to applicable codes. Observe all codes and ordinances in force.

WARNING: For your safety, the instructions contained in this manual must be followed to minimize the risk of fire or explosion and to prevent property damage, personal injury or death.

Do not store or use gasoline or other flammable vapors, liquids or materials near this or any other appliance.



NOTE: This appliance is NOT designed for installation in manufactured (mobile) homes or in recreational vehicles (RVs).

DO NOT install this appliance outdoors.

WARNING



To reduce the risk of fire, electrical shock, personal injury or damage when using the appliance, follow basic safety precautions, including the following:

- Read all instructions
- Proper installation is your responsibility. Have a qualified technician install and ground this appliance in accordance with these installation instructions.

Important Safety Instructions



EN

- It is the responsibility of the installer to comply with installation information specified on the model/serial ID plate. The ID Plates are visibly located on the back of the appliance and on the oven door frame. These ID plates must never be removed.
- **ELECTRICAL GROUNDING REQUIRED:** See the “Electrical Requirements” section. It is the customer’s responsibility to:
 - Contact a qualified electrician to install the appliance
 - Ensure that the electrical system is adequate and conforms with the national ANSI / NFPA 70 ELECTRICAL CODE – latest edition – or the CANADIAN ELECTRICAL CODE, C22.11 – 1 and C22.2 No. 01982 – or latest edition – and all local codes and ordinances. **IMPORTANT:** Observe all governing codes and ordinances.
- Make sure that all the appliance controls are in the OFF position before plugging the electrical cord into an outlet.
- Never modify or alter the construction of the appliance. For example, do not remove adjustable legs, panels, wiring or anti-tip brackets/screws.
- Test the appliance immediately after installation, following the instructions in this booklet. If the appliance does not work properly, disconnect it from the electrical power supply and call the service center. **DO NOT** attempt to repair the appliance.
- All adjustments and servicing must be performed by qualified installers or service technicians.
- Do not leave the packing material around the home. Sort the various items of waste and take them to the nearest specialized waste collection facility.

How to read the user manual

This user manual uses the following reading conventions:

Installation



Information for the qualified technician: installation, operation and inspection.




Safety instructions



Information



Advice

 **CAUTION:** This unit is designed as a cooking appliance. For safety purposes, never use it for warming the room or as a space heater.

- Do not obstruct oven vents or openings for heat exhaust.
- 1. Order of use instructions.
- Stand-alone instruction.

SAVE THESE INSTRUCTIONS



1 Installation

1.1 General installation instructions

- **Proper installation is your responsibility.** Have a qualified technician install this oven. Make sure you have everything necessary for correct installation. It is the responsibility of the installer to comply with installation guidelines specified on the model/serial ID plate. The model/serial ID can be found on the internal frame of the oven when the door is opened.
- **Have your oven installed and properly grounded by a qualified installer, in accordance with these installation instructions.** Grounding is mandatory according to the provisions of the electrical system safety regulations. If this appliance is connected to an outside electrical power source, it must be grounded in compliance with local laws, or, if no local laws exist, in compliance with the national ANSI/NFPA 70 code of electrical regulations.
- Make sure that the voltage and dimensions of the supply line correspond to the information indicated on the model/serial rating plate. A multi-pole circuit breaker must be available on the supply line with contact gap equal to or greater than 3 mm, located in an easily accessible position near the appliance.

- Do not attempt to repair or replace any part of your oven unless specifically recommended in this manual. All other service procedures should be performed by a qualified technician.
- This oven is not suitable for installation and use in mobile homes or campers.
- **Electrical grounding is required.** See the "Electrical requirements" section. It is the customer's responsibility to:
 1. Contact a qualified electrical installer.
 2. Ensure that the electrical system is adequate and in compliance with the national ANSI/NFPA 70 ELECTRICAL CODE - latest edition - or the CANADIAN ELECTRICAL CODE, C22.11 - 1982 and C22.2 No. 01982 - or latest edition - and all local codes and ordinances.

IMPORTANT: Observe all codes and ordinances in force.



1.2 Electrical requirements



Warning

Electrical shock hazard

- Have the electrical connection performed by authorized technical personnel.
- Frame grounded by connection of grounding lead to neutral lead. If local codes do not permit grounding through neutral, open connection and use grounding lead to ground the unit in accordance with local codes. Connect neutral lead to branch-circuit neutral lead in usual manner.
- Do not use an adaptor.
- Do not use an extension cord.
- Check with a qualified electrician if you are not sure whether the appliance is grounded.
- Turn power supply off before connecting the wires.
- Electrically ground the appliance.
- Failure to follow these instructions can result in death, fire, or electrical shock.
- Improperly connecting the appliance's grounding lead can result in electrical shock. Check with a qualified electrician or service technician if you are in doubt as to whether the appliance is properly grounded. Do not modify the power supply cord. If it does not fit in the outlet, have a proper outlet installed by a qualified electrician.
- Disconnect the main power supply.

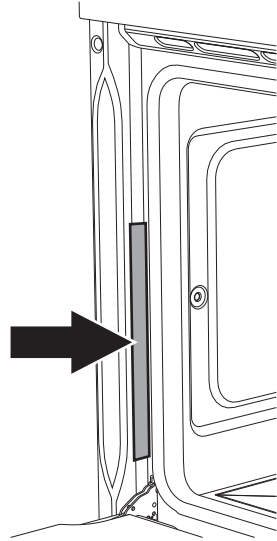


FAILURE TO FOLLOW THESE INSTRUCTIONS COULD RESULT IN DEATH, FIRE OR ELECTRICAL SHOCK.

EN

Make sure that the power line rating matches the specifications indicated on the ID plate. The ID Plates are visibly located on the appliance.

These ID plates must never be removed.



- If codes permit and a separate ground wire is used, it is recommended that the suitability of the ground path be checked by a qualified electrician.
- When a four-wire or three-wire, single-phase, 120/208-volt, 60 Hz or 120/240-volt, 60 Hz, AC-only, electrical supply is used, a 20-ampere maximum circuit protection is required. A time-delay fuse or circuit breaker is recommended.



Installation

- Wire size and connections must conform to the requirements of the National Electrical Code, ANSI/NFPA 70 ELECTRICAL CODE (*) – latest edition or CSA Standard C22.1-94, Canadian Electrical code, Part 1 (***) and CSA C22.2 No. 0-91 or latest edition and all local codes and ordinances for the kilowatt rating of the appliance. **IMPORTANT:** Observe all governing codes and ordinances.
- Copies of the standards listed above may be obtained from:
 - (*) National Fire Protection Association, One Batterymarch Park, Quincy, Massachusetts 02169-7471
 - (***) CSA International 8501 East Pleasant Valley Road Cleveland, Ohio 44131-5575.

1.3 Electrical connection



Warning

Electrical shock hazard

- Disconnect power to the junction box before connecting.
- Electrically ground the appliance with green or green-yellow wire.



FAILURE TO FOLLOW THESE INSTRUCTIONS COULD RESULT IN DEATH, FIRE OR ELECTRICAL SHOCK.

To prepare the connection between the oven and the junction box:

- Disconnect the power supply to the junction box.
- Feed the flexible cable conduit from the oven through the opening of the cabinet.
- Remove the junction box cover, if present.
- Install a UL-listed or CSA-approved conduit connector to the junction box.
- Route the flexible cable conduit from the oven to the junction box through a UL-listed or CSA-approved conduit connector.
- Tighten the screws on the conduit connector.

IMPORTANT: Any local codes or ordinances should be give priority over these instructions.

Frame grounded by connection of grounding wire to neutral wire. If used in the new branch circuit installation (1996 NEC) or if local codes do not permit grounding through neutral wire, open the connection and use the grounding wire to the ground unit in compliance with local codes.

Connect the neutral wire to the branch circuit's neutral conductor in the usual manner:

- Disconnect the ground from the neutral at the free end of the conduit.
- Use the grounding terminal or lead to ground the unit.
- Connect the neutral terminal or wire to the branch circuit neutral in the usual manner.

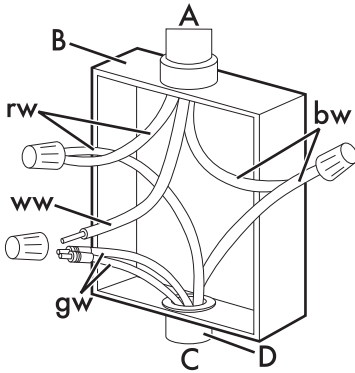
This appliance is manufactured with a green or green-yellow ground wire connected to the oven chassis.



U.S. Installation only / 3-wire branch circuit

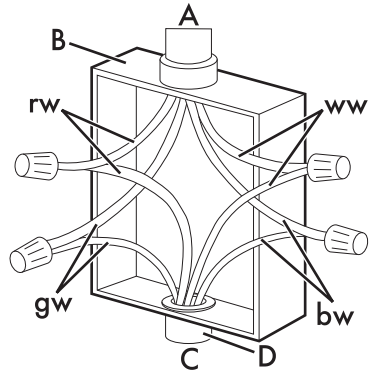
See diagram. Where local codes allow the connection of the ground wire from the oven to the power supply cable neutral wire (white wire):

- The ground wire must be connected first;
- If local codes permit, connect the green or yellow-green ground wire from the appliance and the white wire from the appliance to the power supply neutral wire (white wire).
- Connect the red and black leads from the appliance to the matching color wires in the junction box using UL/CSA listed wire connectors.



U.S. and Canada installation / 4-wire branch circuit

- Separate the green or yellow-green wires from the white wires that extend out of the end of the appliance cable.
- The ground wire must be connected first;
- Connect the green or yellow-green ground wire from the appliance to the ground wire in the junction box (green colored wire) using UL/CSA listed wire connectors. Do not connect the grounding wire to the neutral wire in the junction box.
- Connect the red and black leads from the appliance to the matching color wires in the junction box using UL/CSA listed wire connectors.
- Connect the white wire from the appliance to the neutral white wire in the junction box using a UL/CSA listed wire connector.



A	cable from power supply
B	junction box
C	cable from appliance
D	UL/CSA listed conduit connector

bw	black wires
gw	white-green or yellow-green wires
rw	red wires
ww	white wires



Installation

- Connect to a 20 A fuse or circuit breaker. Connect to copper wire, or, if connection is made to aluminum house wiring, use UL-listed or CSA-approved connectors approved for joining aluminum and copper wiring.



NOTE: Both leads coming out of the appliance must be connected according to the diagrams shown in figures.

Fixed connection

Fit the power line with a multi-pole circuit breaker in compliance with installation regulations.

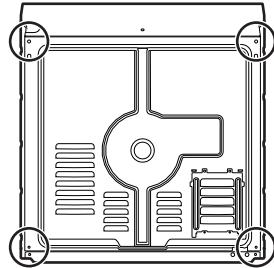
The circuit breaker should be located near the appliance and in an easily reachable position.

Cable replacement



**Power voltage
Danger of electrocution**

- Disconnect the main power supply.
1. Unscrew the rear casing screws and remove the casing to access the terminal board.



2. Replace the cable.
3. Make sure that the cables (for the oven and/or cooktop) follow the best route in order to avoid any contact with the appliance.



1.4 Positioning



Heavy appliance Danger of crushing injuries

- Position the appliance into the cabinet cutout with the help of a second person.
- Failure to do so can result in back or other injury.



Pressure on the open door Risk of damages to the appliance

- When positioning the appliance during installation, do not use the door handle to lift or move this appliance.
- Never use the oven door to lever the appliance into place when fitting.
- Avoid exerting too much pressure on the oven door when the door is open.



Heat production during appliance operation Risk of fire

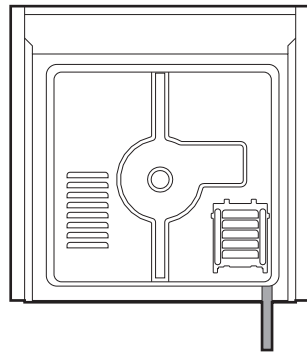
- Check that the cabinet material is heat resistant.
- Check that the cabinet has the required slots.

Important instructions

For the best results, follow these instructions before and during the oven installation:

- Decide on the final location of the oven. Locate the existing wiring to avoid drilling into or severing wiring during installation.
- To avoid damage to the floor, place the oven on cardboard prior to installation. Do not lift by the door handle or any part of the frame or trim.
- Remove the shipping materials and tape from the oven.
- Remove the literature contained in the package.
- Remove and set aside racks and other parts from inside the oven.
- Move the oven on the cardboard close to the oven's final location.

Power cord position



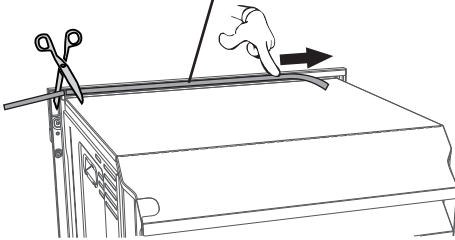
(back view)



Installation

Front panel seal

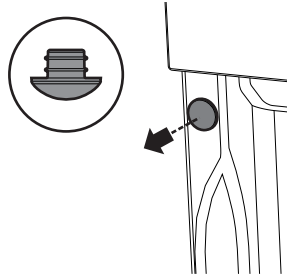
Glue the seal provided to the rear of the front panel to prevent water or other liquids from leaking in.



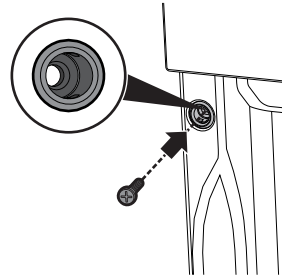
NOTE: On some models, the seal is already pre-assembled.

Fastening bushings

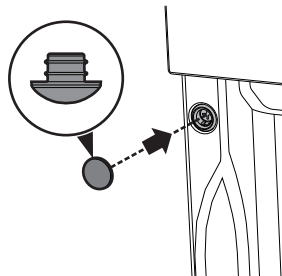
1. Remove the covers inserted on the oven front.



2. Mount the appliance into the recess.
3. Secure the appliance to the cabinet using screws.

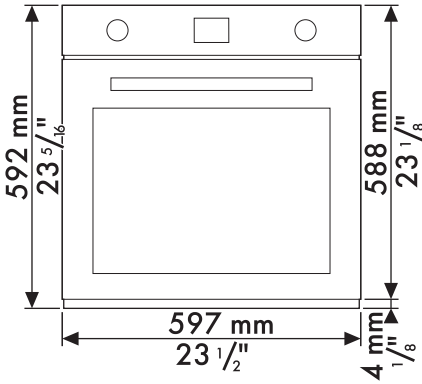


4. Cover the bushings with the covers removed previously.

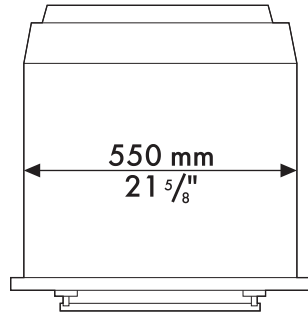




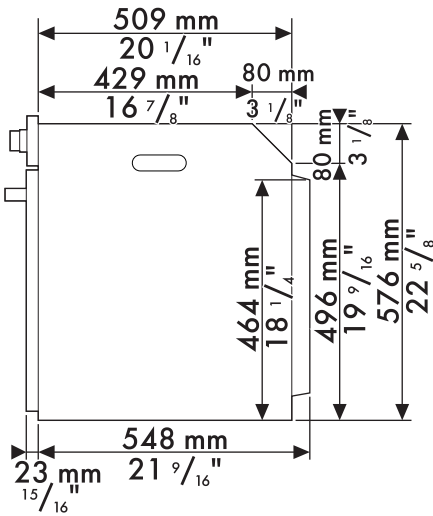
Appliance overall dimensions



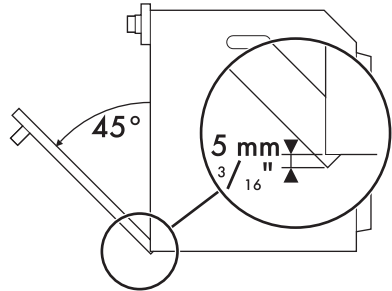
(front view)



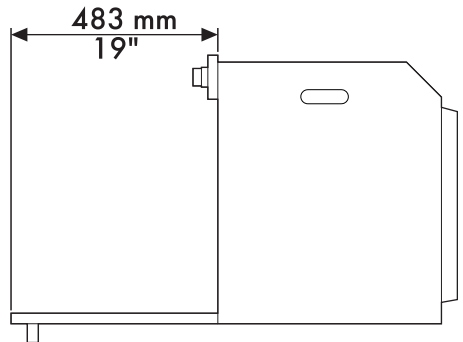
(top view)



(side view)



(side view)

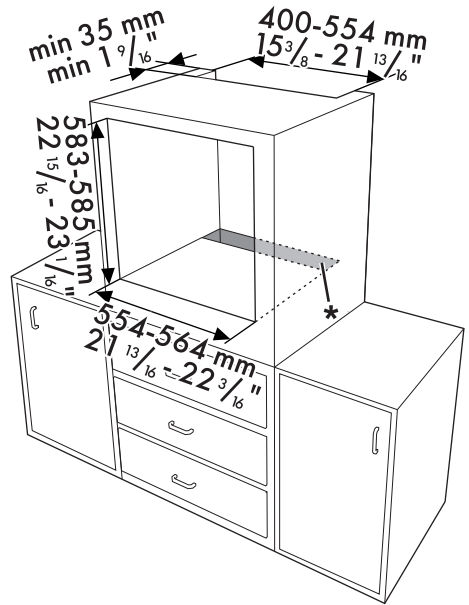
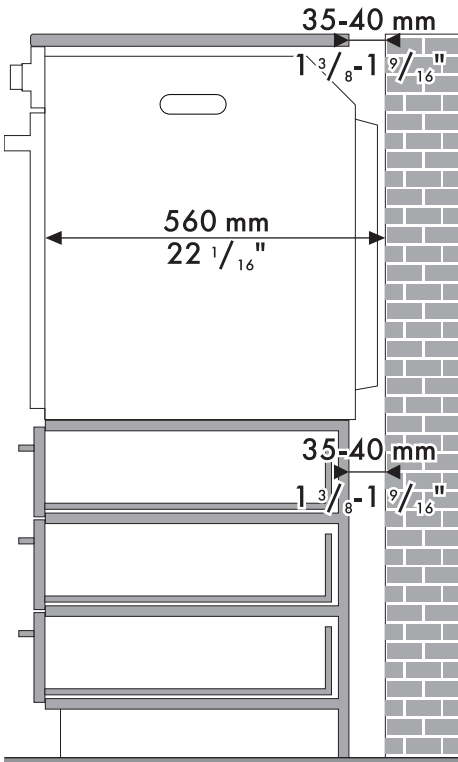


(side view)

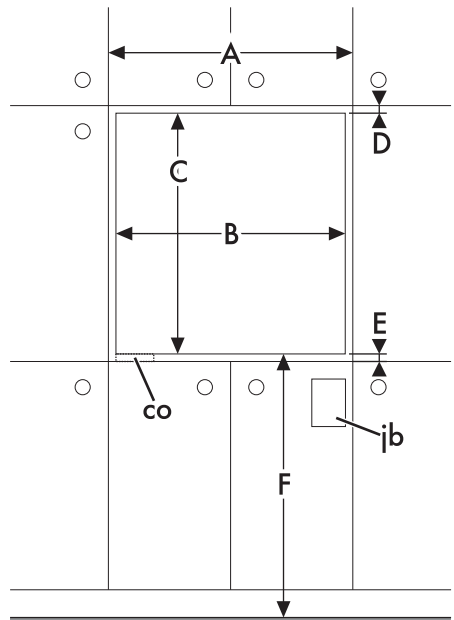


Installation

Mounting into a column



* Make sure that the carcass rear/bottom section has an opening approx. **35-40 mm** ($1\frac{3}{8}$ - $1\frac{9}{16}$ ") deep.

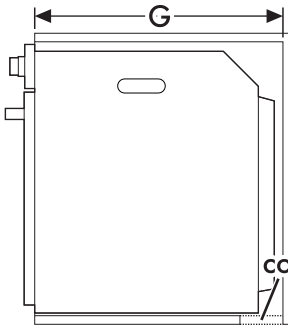


(front view)

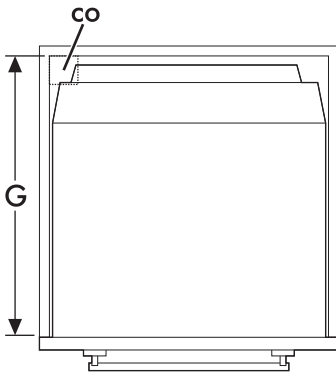
Installation



EN



(side view)



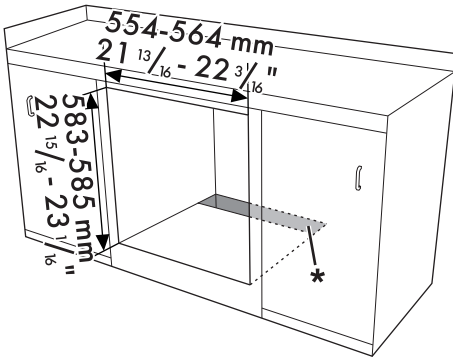
(top view)


	mm	in
A	Width of cabinet min. 603 min. 23 ³ / ₄	
B	Width of cutout 554 - 564 21 ¹³ / ₁₆ - 22 ³ / ₁₆	
C	Height of cutout 583 - 585 22 ¹⁵ / ₁₆ - 23 ¹ / ₁₆	
D	Top of cutout to bottom of upper cabinet door 9 - 11 ³ / ₈ - ⁷ / ₁₆	
E	Top of cutout to top of lower cabinet door min. 5 min. ³ / ₁₆	
F	Bottom of cutout to floor (recommended) 121 - 1105 4 ⁵ / ₈ - 32	
G	Depth of cutout min. 560 min. 22 ¹ / ₁₆	
H	Bottom of countertop to bottom of cutout min. 594 min. 23 ³ / ₈	
co	Recommended cut-out for power cord (min. 6 cm ² - 1"²)	
jb	Recommended junction box location	

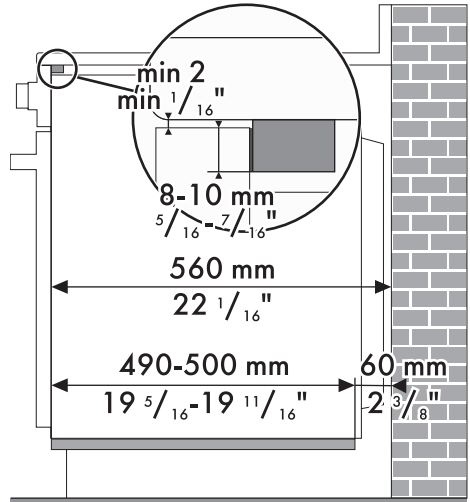



Installation

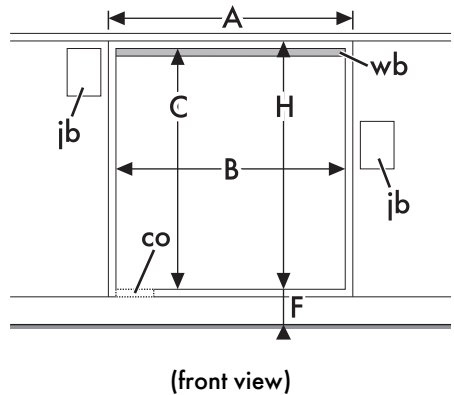
Mounting under countertop



 * Make sure that the carcass rear/bottom section has an opening approx. **60 mm - 2 3/8"** deep.



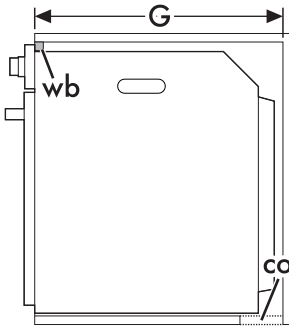
 If the appliance is to be built-in under a worktop, a wooden bar has to be installed order to use the seal that is glued to the back of the front panel to prevent water or other liquids leaking in.



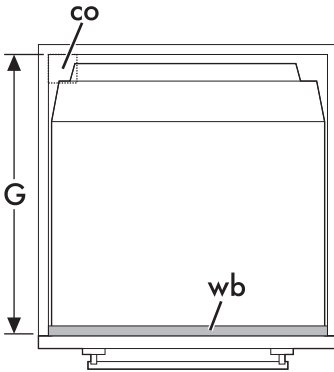
Installation



EN



(side view)



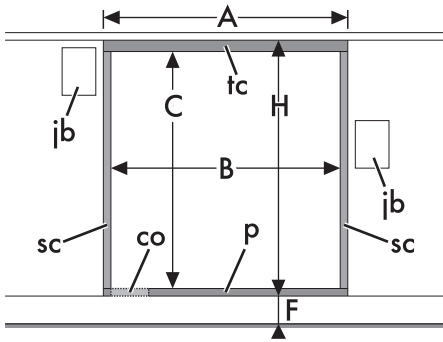
(top view)

	mm	in
A	Width of cabinet min. 603 min. 23 ³ / ₄	
B	Width of cutout 554 - 564 21 ¹³ / ₁₆ - 22 ³ / ₁₆	
C	Height of cutout 583 - 585 22 ¹⁵ / ₁₆ - 23 ¹ / ₁₆	
D	Top of cutout to bottom of upper cabinet door 9 - 11 ³ / ₈ - ⁷ / ₁₆	
E	Top of cutout to top of lower cabinet door min. 5 min. ³ / ₁₆	
F	Bottom of cutout to floor (recommended) 121 - 1105 4 ⁵ / ₈ - 32	
G	Depth of cutout min. 560 min. 22 ¹ / ₁₆	
H	Bottom of countertop to bottom of cutout min. 594 min. 23 ³ / ₈	
co	Recommended cut-out for power cord (min. 6 cm ² - 1"²)	
jb	Recommended junction box location	
wb	Wooden bar (recommended)	

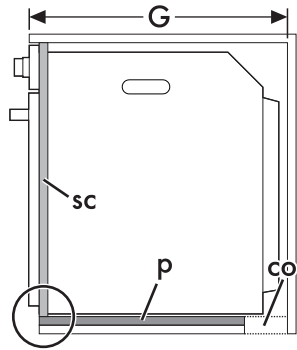


Installation

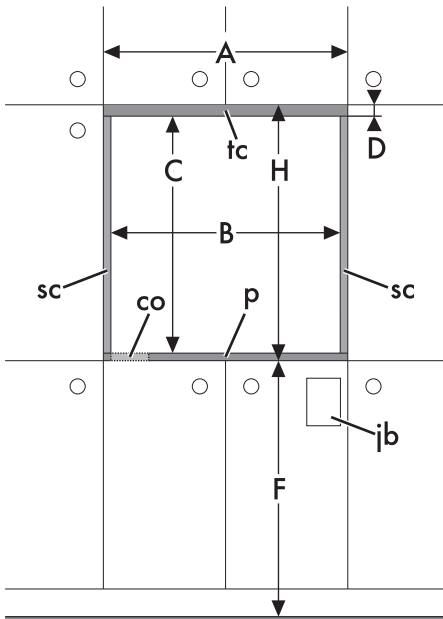
Flush installation



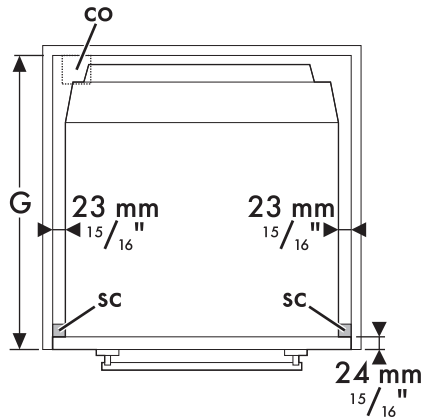
Mounting under countertop (front view)



(side view)



Mounting into a column (front view)



(top view)



Cleats and platform must be recessed **24 mm - 15/16"** from the front of the cabinet.



Flush installation requires a platform (**p**) underneath the unit body.

Installation



EN

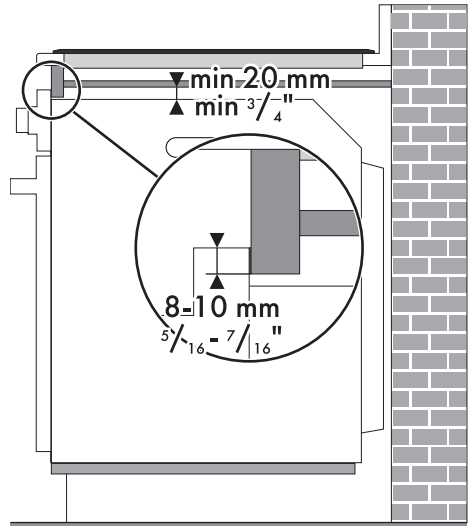
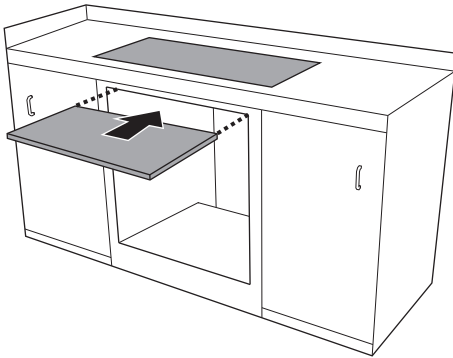
	mm	in
A	Width of flush inset cutout	
	603	min. 23 ³ / ₄
B	Width of opening	
	557	21 ¹⁵ / ₁₆
C	Height of opening	
	583 - 585	22 ¹⁵ / ₁₆ - 23 ¹ / ₁₆
D	Height of top cleat (tc)	
	15	⁹ / ₁₆
F	Bottom of cutout to floor (recommended)	
	121 - 1105	4 ⁵ / ₈ - 32
G	Depth of cutout	
	min. 584	min. 22 ¹⁵ / ₁₆
H	Height of flush inset cutout	
	599	23 ³ / ₈
co	Recommended cutout for power cord (min. 6 cm ² - 1"²)	
jb	Recommended junction box location	
P	Platform	
	557 x 560 x 5	21 ¹⁵ / ₁₆ x 22 ¹ / ₁₆ x 3 ³ / ₁₆
sc	Side Cleat 23 mm - ¹⁵ / ₁₆ "	
tc	Top Cleat	



Installation

Built-in under hobs

Whenever a hob is installed above the oven, a wooden separator has to be installed at a minimum distance of **20 mm - $3/4$ "** from the top of the oven to prevent overheating when the two appliances are used at the same time. It must only be possible to remove the separator by using suitable tools.



When using a wooden separator, a wooden bar has to be installed under the worktop in order to use the seal that is glued to the back of the front panel to prevent water or other liquids leaking in.