

Contents

1 Instructions	4
2 Description	10
2.1 General description	10
2.2 Other parts	11
2.3 Available accessories	12
3 Use	13
3.1 Instructions	13
3.2 Preliminary operations	13
3.3 First use	13
3.4 Accessing the cooler compartment	13
3.5 Using the accessories	15
3.6 Using the cooler compartment	16
3.7 Storage advice	16
3.8 Noises during operation	17
3.9 What to do if...	17
4 Cleaning and maintenance	18
4.1 Instructions	18
4.2 Cleaning the appliance	18
4.3 Defrosting	18
5 Installation	19
5.1 Electrical connection	19
5.2 Positioning	19

We advise you to read this manual carefully, which contains all the instructions for maintaining the appliance's aesthetic and functional qualities.

For further information about the product visit: www.smeg.com



Instructions

1 Instructions

Important Safety Instructions

WARNING: If the instructions contained in this manual are not followed precisely, fire or explosion may result causing property damage, personal injury or loss of life.



READ AND SAVE THESE INSTRUCTIONS - Your safety and the safety of others are very important.

We have provided many important safety messages throughout this manual and on the appliance.

Read all the instructions before using the appliance and always obey all safety messages.



RECOGNIZE SAFETY INFORMATION

This is a safety alert symbol. This symbol alerts you to potential hazards that can result in severe personal injury or loss of life.

UNDERSTAND SIGNAL WORDS

A signal word - DANGER, WARNING or CAUTION - is used with the safety alert symbol. DANGER denotes the most serious hazards. It means you could lose your life or be seriously injured if you do not immediately follow the instructions. WARNING means you could lose your life or be seriously injured if the instructions are not followed. CAUTION indicates a potentially hazardous situation which, if not avoided, could result in minor to moderate injury.

WARNING



- This appliance is intended for use in the home only.
- Use this appliance only for its intended purpose. The manufacturer cannot be held liable for damage caused by improper use of this appliance.
- This appliance complies with current safety regulations. Improper use of this appliance can result in personal injury and material damage.
- Read all the instructions before installing or using the appliance for the first time.
- Keep these operating instructions in a safe place and pass them on to any future user.

Instructions



The safety messages will inform you of potential hazards, on how to avoid the risk of injury and what can occur if the instructions are not followed.

IMPORTANT: Observe all codes and ordinances in force.

WARNING: For your safety, the instructions contained in this manual must be followed to minimize the risk of fire or explosion and to prevent property damage, personal injury or loss of life.

Do not store or use gasoline or other flammable vapors, liquids or materials near this or any other appliance.



NOTE: This appliance is NOT designed for installation in manufactured (mobile) homes or in recreational vehicles (RVs).

DO NOT install this appliance outdoors.

WARNING



To reduce the risk of fire, electrical shock, personal injury, or damage when using the appliance, follow basic safety precautions, including the following:

- Read all instructions.
- Proper installation is your responsibility. Have a qualified technician install and ground this appliance in accordance with these installation instructions.
- It is the responsibility of the installer to comply with installation information specified on the model/serial ID plate. The ID plates are visibly located on the back of the appliance and on the appliance door frame. These ID plates must never be removed.
- Proper installation is your responsibility. Make sure your appliance is properly installed and grounded by a qualified installer.
- Use two or more people to move and install appliance.
- Do not climb, stand or hang on the shelves in the appliance. This could cause serious injury or result in damage to the appliance.
- **DO NOT LEAVE CHILDREN UNATTENDED:** Children should not be left alone or unattended in the area where the appliance is being used. Never allow children to sit or stand on any part of the appliance.
- Never allow children to play with the appliance and use the drawers, shelves and others parts of the appliance only as described in this handbook.



Instructions

- **CAUTION:** Do not store items of interest to children in cabinets above a range or on the backguard of a range - children climbing on the range to reach items could be seriously injured.
 - **WEAR PROPER APPAREL:** Loose-fitting or hanging garments should never be worn while using the appliance.
 - For safety reasons and to avoid damage to your appliance, never sit, stand or lean on the appliance door.
 - Never store explosive or flammable substances, such as gasoline in or in the vicinity of this appliance or use gasoline or other flammable vapors or liquids in the vicinity of this or any other appliance. Read product labels for warnings regarding flammability and other hazards. **FAILURE TO DO SO CAN RESULT IN DEATH, EXPLOSION OR FIRE.**
 - Use nonflammable cleaner.
 - High alcohol drinks must only be stored sealed and vertical.
 - Never touch frozen product straight from the freezer or put it in your mouth. This can cause burn injury due to very low temperatures.
 - Unplug your appliance before cleaning and making repairs.
 - Do not leave the packing materials around the home. Sort the various items of waste and take them to the nearest specialized waste collection facility.
 - **ELECTRICAL GROUNDING IS REQUIRED.** It is the customer's responsibility:
 1. To contact a qualified electrician.
 2. To ensure that the electrical system is adequate and in compliance with the National Electrical Code ANSI / NFPA 70 Electrical Code – latest edition – or the CANADIAN ELECTRICAL CODE, C22.11 – 1982 and C22.2 No. 01982 – or latest edition – and all local codes and ordinances.
 - Do not attempt to repair or replace any part of this appliance unless specifically recommended in this manual. All other servicing should be done by a qualified technician.
- To reduce the risk of fire, electric shock, or injury to persons when using this appliance, follow basic precautions, including the following:
- The power cord to this appliance is equipped with a three-prong grounding plug for your protection against electrical shock hazards. It must be plugged directly into a properly grounded three-prong receptacle.
 - Do not, under any circumstances, cut or remove the third (ground) prong from the power cord. For personal safety, this appliance must be properly grounded.
 - Have the wall outlet and circuit checked by a qualified electrician to make sure the outlet is properly grounded.
 - Do not use an adapter plug.
 - Do not use an extension cord.



- Never unplug an appliance by pulling on the power cord. Always grip the plug firmly and pull straight out from the outlet to prevent damaging the power cord.
- Unplug the appliance before servicing.
- **ONLY QUALIFIED SERVICE PERSONNEL SHOULD PERFORM REPAIRS.** Service personnel must disconnect the power supply before servicing this unit.

State of California Proposition 65 Warning



WARNING

This product can expose you to chemicals including vinyl chloride, which is known to the State of California to cause cancer and birth defects or other reproductive harm. For more information go to www.P65Warnings.ca.gov.

- This appliance contains flammable gases within the refrigeration circuit and insulation foam.
 - Contact the municipality or disposal company in your area for information on approved recycling or disposal.
 - The refrigerant R600a contained within the appliance is environmentally friendly, but flammable. Leaking refrigerant can ignite.
- To prevent possible ignition, follow the warnings below:
- **RISK OF FIRE OR EXPLOSION DUE TO PUNCTURE OF REFRIGERANT TUBING. FLAMMABLE REFRIGERANT USED. FOLLOW HANDLING INSTRUCTIONS CAREFULLY IN COMPLIANCE WITH U.S. AND CANADIAN GOVERNMENT REGULATIONS**
 - Keep ventilation openings in the appliance enclosure or in the built-in structure, clear of obstruction.
 - Do not use mechanical devices or other means to accelerate the defrosting process, other than those recommended by the manufacturer.
 - Do not damage the refrigerant circuit.
 - Any repairs and work on the appliance should be performed by the customer service department only.
 - Do not use electrical appliances inside the wine appliance compartment, unless they are of the type recommended by the manufacturer.
 - To prevent personal injury or damage to the unit, the appliance should be unpacked and set up by two people.



Instructions

- If the appliance is damaged on delivery, immediately contact the supplier before connecting it to the power source.
- To guarantee safe operation, ensure that the appliance is set up and connected as described in this manual.
- Disconnect the appliance from the power source if a fault occurs. Pull out the plug, turn off or disable the power source.
- When disconnecting the appliance, always pull it out by the plug; never pull on the cord.
- Any repairs and work on the appliance should be performed by the customer service department only. Unauthorized work may be dangerous to the user. The power source cord should only be changed or replaced by the customer service department.
- Do not store explosives or sprays using combustible propellants such as butane, propane, pentane, etc. in the appliance. Electrical components might cause leaking gas to ignite. You can identify such sprays by the printed contents or a flame symbol.
- To prevent possible injury due to an electrical shock, be sure to disconnect the power cord or turn off the circuit breaker before cleaning the appliance.
- To avoid injury or damage to the appliance, do not use steam-cleaning equipment to clean the appliance.
- Do not operate the appliance in the presence of explosive fumes.
- Do Not Use Water on Grease Fires - Smother fire or flame or use dry chemical or foam-type extinguisher.
- Record the Model and Serial number on Page 2 of this booklet. The Model and Serial numbers are on the appliance ID plate. The ID plates are visibly located on the appliance door frame. THE ID PLATE MUST NOT BE REMOVED.
- CHILD ENTRAPMENT HAZARD: Child entrapment and suffocation are not problems of the past. Junked or abandoned refrigeration products are still dangerous – even if they will sit for “just a few days.” If you are getting rid of your old appliance, please follow these instructions to help prevent accidents.



Before you throw away your old appliance:

- Remove doors;
- Leave shelves in place so children may not easily climb inside;
- Have refrigerant removed by a qualified service technician.
- Destroy or recycle the carton, plastic bags, and any exterior wrapping material immediately after the appliance is unpacked. Children should NEVER use these items to play. They can cause suffocation and death.
- Do not allow children to climb, stand or hang on the shelves in the appliance.
- Never allow children to play with the appliance.

How to read the user manual

This user manual uses the following reading conventions:

Instructions



General information on this user manual, on safety and final disposal.

Description



Description of the appliance and its accessories.

Use



Information on the use of the appliance and its accessories, cooking advice.

Cleaning and maintenance



Information for proper cleaning and maintenance of the appliance.



Safety instructions



Information



Advice

1. Use instruction sequence.

- Single use instruction.

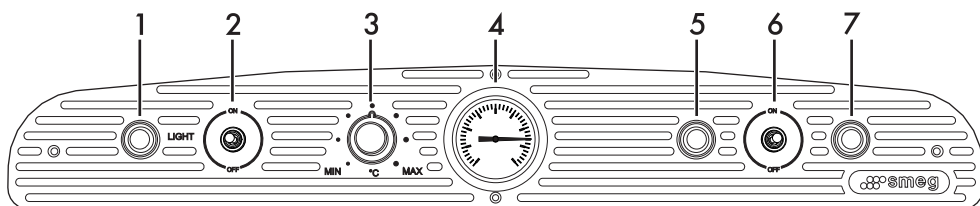
SAVE THESE INSTRUCTIONS



Description

2 Description

2.1 General description



1 Yellow indicator light

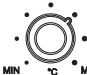
When **ON**, this indicates that the **light switch** is **ON** and all the perimeter lights are on.

2 Light switch (ON/OFF)

Use this switch to switch on the appliance perimeter lights. When the switch is **ON**, the **yellow indicator light** comes on.

3 Thermostat knob

Adjust the thermostat knob from **MIN** to **MAX** to lower the temperature inside the appliance compartment. Use this knob to set the temperature inside the appliance, as follows:

- **°C**: In this position, the knob indicates the appliance is turned **OFF**.
- **MIN**: In this position, the knob indicates the appliance is on **MINIMUM**.
-  In this position, the knob indicates the general **optimum temperature** at which to adjust the appliance preferably.
- **MAX**: In this position, the knob indicates the appliance is on **MAXIMUM**.



To avoid wasting electricity and prevent food from freezing, do not set the thermostat knob to **MAX** for prolonged periods of time.

4 Thermometer

Indicates the temperature currently inside the appliance.

5 Green indicator light

When **ON**, this indicates that the **ON/OFF switch** is **ON** and that the appliance is powered and ready to be switched on.

6 ON/OFF switch

Use this switch to power the appliance.

- When the switch is **ON**, the **green indicator light** comes on.
- When the switch is **OFF**, the **red indicator light** comes on.

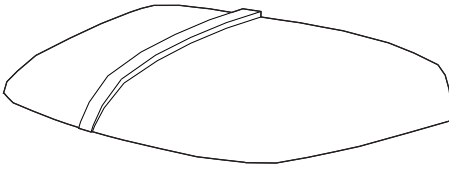
7 Red indicator light

When **ON**, this indicates that the **ON/OFF switch** is **OFF** and that the appliance is not powered and cannot be switched on.



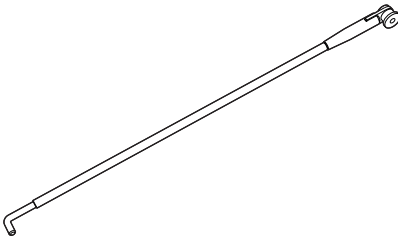
2.2 Other parts

Lid



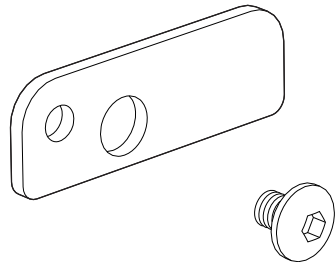
It only serves as a aesthetic cover. It is lifted for moving drinks inside the drink cellar.

Lid rod



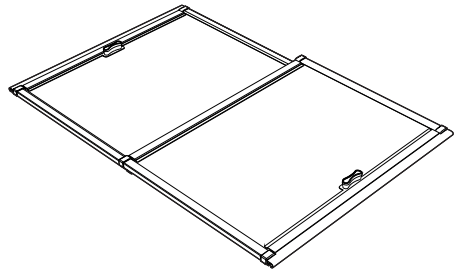
Useful to keep the appliance lid open.

Locking plate + screw



Useful to keep the cover continuously lifted.

Sliding doors



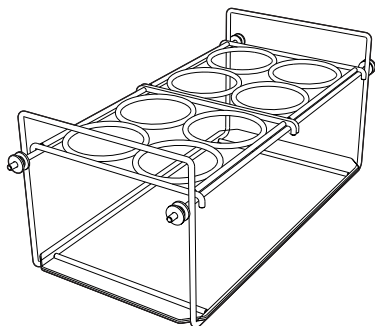
Useful to keep beverages as cool as possible.



Description

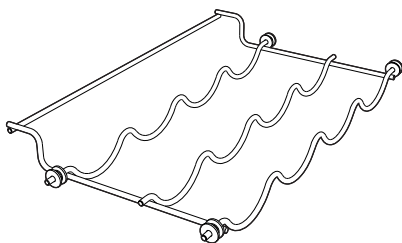
2.3 Available accessories

Beer rack



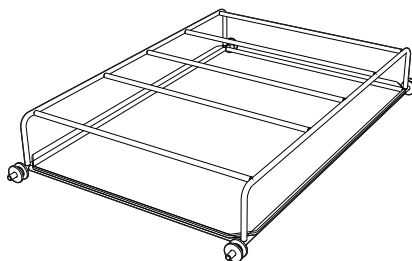
Useful to position beer bottles and small plastic bottles.

Bottle rack



Useful to store glass bottles.

Pack rack



Useful to store fruit juices, milk cartons and cans.



3 Use

3.1 Instructions



**Improper use
Risk of damage
to the appliance**

- Do not use sharp objects when removing ice and frost to avoid damaging the appliance's walls.
- Do not sit or lean on the door or any open drawers.
- Do not touch the heating elements on the outside of the appliance.
- Do not store inflammable, explosive or volatile substances.
- Organic compounds, acids and essential oils can corrode the seals and plastic surfaces if left in contact with them for extended periods.
- Bottles containing strong alcoholic drinks must be tightly closed and stored vertically.

3.2 Preliminary operations

1. Remove any protective film from the outside or inside of the appliance, including accessories.
2. Remove any labels (apart from the technical data plate) from the accessories and shelves.
3. Remove and wash all the appliance accessories.

3.3 First use

1. Plug the appliance into a wall socket.
2. Set the **ON/OFF switch** to **ON**.
3. Adjust the **thermostat knob** from **MIN** to **MAX** to set the desired temperature.

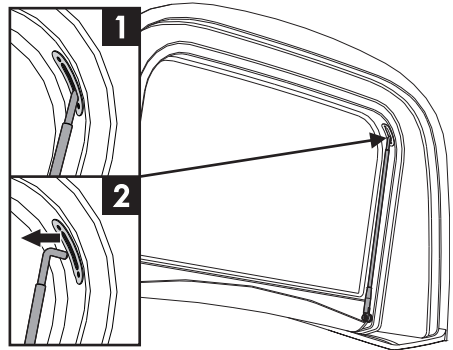


The higher the number set, the lower the appliance temperature will be.

3.4 Accessing the appliance compartment

Raise the appliance lid to access the appliance compartment. Inside, you will find a rod on the right-hand side to keep it raised while you move beverages around inside the appliance compartment.

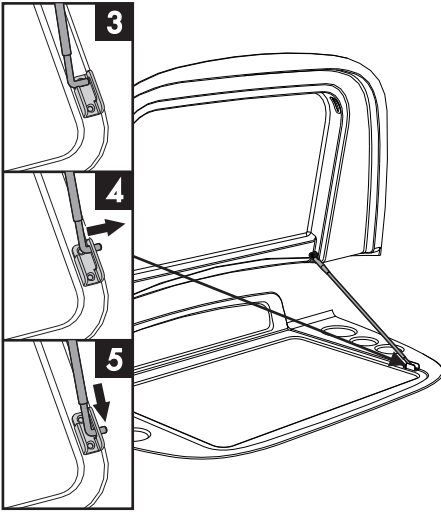
1. Raise the lid and grab the top of the rod seated in the slot.
2. Move the rod a few centimetres to the left to release the tip of the slot.





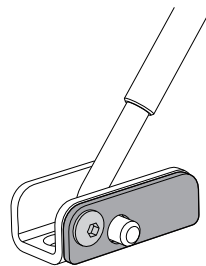
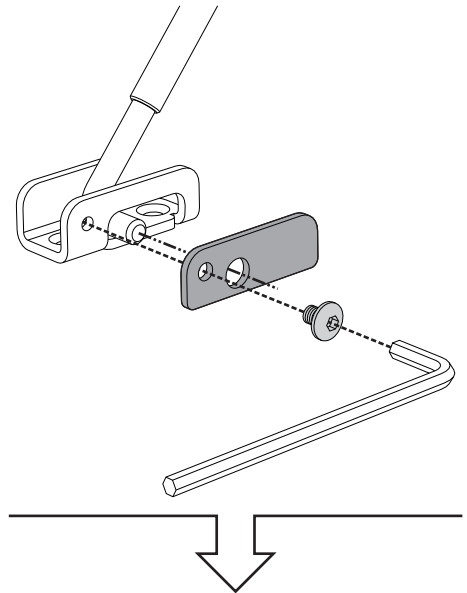
Use

3. With the lid raised, turn the rod downwards and place the tip onto the metal plate situated to the right of the sliding doors.
4. Move the tip of the rod towards the right into the slot in the plate.
5. Slide the tip of the rod all the way to the end of the slot in the plate.



Lock the cover rod

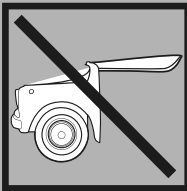
6. Approach the locking plate to the small square.
7. Secure the locking plate with the supplied screw using a tool (such as a socket wrench).



Now the cover is permanently locked in open position.



NOTE: To avoid damage to the surface of the appliance, do not overturn the bonnet and do not place other objects on it.



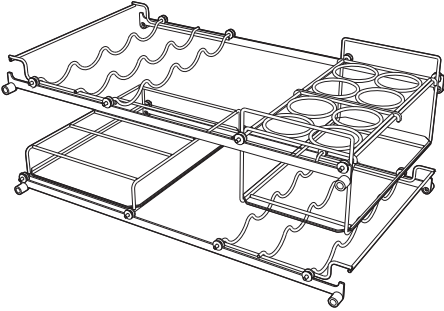
Improper use may cause damage to the appliance.



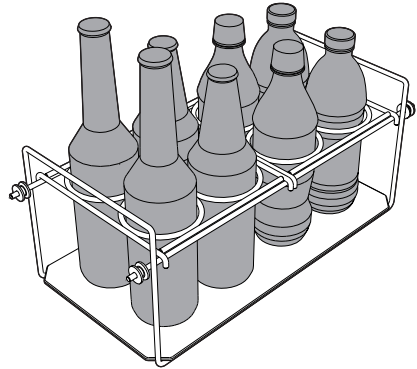
3.5 Using the accessories

Layout of accessories

The accessories can be arranged along the purpose-designed guides inside the appliance compartment.



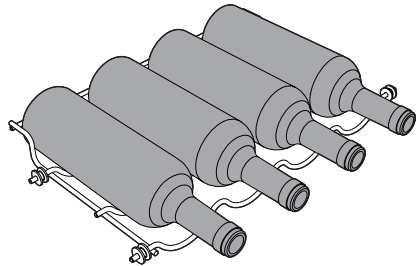
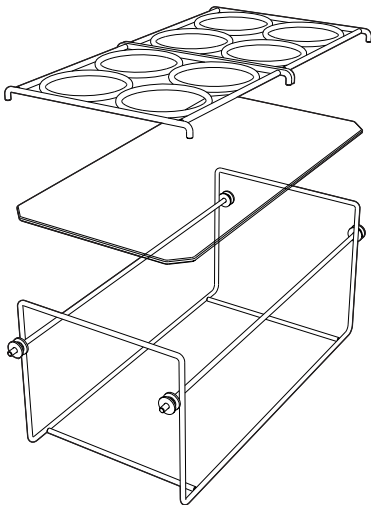
Sample uses



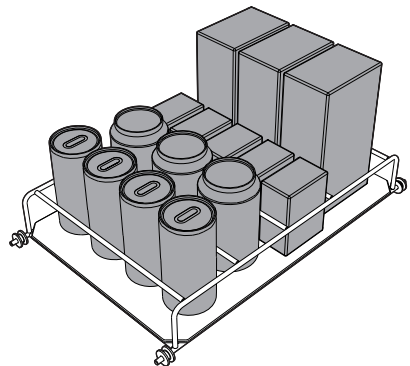
Beer rack

Beer rack assembly

1. Place the glass shelf on the base of the beer rack.
2. Place the 2 partitions at the rear of the beer rack.



Bottle rack



Pack rack



3.6 Using the appliance compartment

Arranging beverages

Arrange the beverages, making sure they are sealed tight. This precaution is necessary:

- to preserve the aroma and freshness of the beverages;
- to avoid any contamination of beverages with odours or tastes from other beverages;
- to prevent the humidity level inside the appliance from becoming too high, which in some operating conditions (rise in ambient temperature and humidity, more frequent opening of the door) might cause condensation to form on the shelves.



Always allow hot drinks to cool to room temperature before putting them in the appliance compartment.

3.7 Storage advice

- Always check the expiry date on the food packaging.
- Remove perishable products from the appliance if you are going away for a long period.
- Changes in the environmental conditions (temperature and humidity) and the frequency with which the door is opened can affect the operating temperature of the appliance.
- Reduce the number of times that the doors are opened and the length of time they remain open to prevent the compartments from heating up excessively.



3.8 Noises during operation

The appliance compartment is cooled by means of a compression system. In order to maintain the preset temperature inside the appliance compartment, the compressor comes into operation in response to the level of cooling required, and may operate continuously if necessary. When the compressor starts to function, it creates a buzzing noise which generally diminishes in intensity after a few minutes.

Another normal operating noise of the appliance is a gurgling due to the coolant flowing through the pipes in the circuit. This noise is normal and does not indicate an appliance malfunction. If it becomes too loud, this may mean that there are other causes. Checks must then be made to ensure that:

- the appliance is properly levelled on the floor and does not vibrate when the compressor is in operation: if this is not the case, adjust the feet supplied with the appliance;
- Bottles and boxes are stable and not touching each other: otherwise, the vibration resulting from the compressor's operation could cause a certain amount of noise;
- Do not place the appliance in such a way that it is in contact with furniture or other household appliances.

3.9 What to do if...

The appliance does not work:

- Make sure that the appliance is plugged in and that the main switch is turned on.

The compressor starts to function too often or functions continuously:

- The room temperature is too high.
- The sliding doors are being opened too often or for too long.
- The sliding doors do not seal shut when closed.
- Check that the back of the appliance is properly ventilated and that the condenser is not too dirty.

Excessive ice or condensation has built up inside the appliance compartment:

- The sliding doors are being opened too often or for too long.
- Hot beverages have been placed inside the appliance compartment.
- The thermostat is set at a too low temperature.

The appliance compartment is not sufficiently cold:

- The thermostat is set at a too high temperature.
- The sliding doors are being opened too often or for too long.
- The sliding doors do not seal shut when closed.
- The room temperature is too high.



4 Cleaning and maintenance

4.1 Instructions



Improper use Risk of damage to surfaces

- Do not use steam jets to clean the appliance.
- Do not use cleaning products containing chlorine, ammonia or bleach on steel parts or parts with metallic finishes on the surface (e.g. anodising, nickel- or chromium-plating).
- Do not use abrasive or corrosive detergents on glass parts (e.g. powder products, stain removers and metallic sponges).
- Do not use rough or abrasive materials or sharp metal scrapers.



Power voltage Danger of electrocution

- Turn off the appliance and unplug it from the mains before cleaning.
- Do not pull the cable to unplug the appliance.

4.2 Cleaning the appliance

A special antibacterial protection on the appliance's interior walls prevents bacterial growth and keeps them clean. They must nevertheless be cleaned regularly in order to keep them in good condition.

Cleaning the outside of the appliance

- The appliance may be cleaned with water or alcohol-based liquid detergents (e.g. window cleaning products).
- Avoid aggressive detergents and rough sponges to avoid damaging the surfaces.

Cleaning the inside of the appliance

- Clean the interior with diluted liquid detergent or with warm water with a little vinegar added.
- Remove any ice thicker than 3-5 mm. Do not use sharp objects or spray products.

4.3 Defrosting

Defrosting the appliance compartment

The appliance compartment does not require defrosting, as any ice which forms on the refrigeration plate will melt when the compressor is idle.

If ice thicker than 3-5 mm should form on the inside walls of the appliance compartment, turn off the appliance and defrost it manually.



5 Installation

5.1 Electrical connection



Power voltage
Danger of electrocution

- The appliance must be earthed in compliance with electrical system safety standards.
- Do not pull the cable unplug the appliance.

General information

- Check the mains characteristics against the data indicated on the plate. The identification plate bearing the technical data, serial number and brand name is visibly positioned inside the appliance. Do not remove this plate for any reason.
- Make sure that the plug and socket are of the same type.
- Avoid using adapters and shunts as these could cause overheating and a risk of burns.
- The plug must always be accessible when the appliance is installed.
- If it is necessary to replace the power supply cable, **this must be performed by an authorised technician from Technical Support Service.**

5.2 Positioning



Heavy appliance
Danger of crush injuries

- Position the appliance with the aid of a second person.
- Always handle the appliance with the lid down.

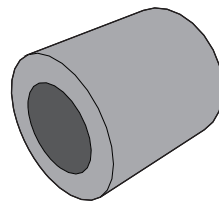


Improper use
Risk of damage to the appliance

- The appliance must not be exposed to direct sunlight.
- Do not use the appliance outdoors.

Spacers

To ensure that the condenser cools properly, the appliance must not be located too close to the wall. To prevent this, the appliance comes complete with two plastic spacers which are fitted on the metal casing behind the appliance.





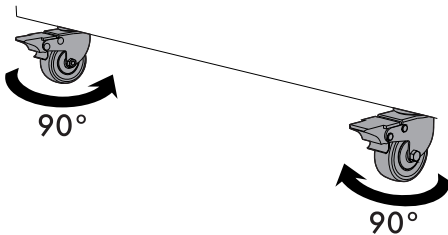
Installation

How to handle the appliance

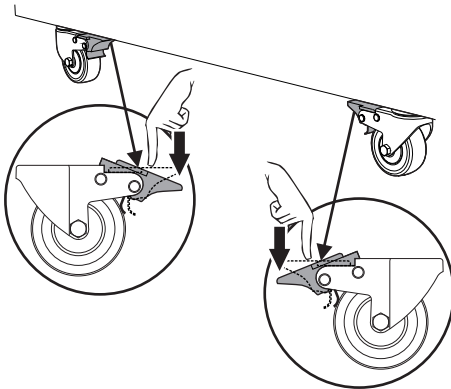
The appliance is supplied with four castors for easy handling and positioning. In any case, we recommend moving the appliance very carefully in order to avoid damaging the floor (especially in the case of wooden floors).

The front castors are fitted with a brake to lock the appliance in place:

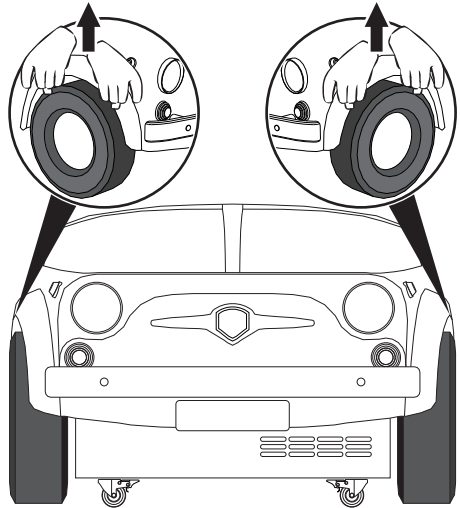
1. Turn the front castors by 90° with the brake levers turned to face the centre of the appliance.



2. Press the brakes on the front castors down until they click in place.



3. Should you need to lift the appliance, with the aid of a second person, grip the wheel arches using both hands.



Positioning

Place the appliance on a stable and level floor. We recommend moving the appliance very carefully in order to avoid damaging the floor (especially in the case of wooden floors).

Choice of location

Always install the appliance in a dry place with satisfactory ventilation.

- Install the appliance at least 3 cm away from electrical or gas cookers and at least 30 cm away from combustion heaters or radiators.
- The appliance must not be installed near heat sources. If this is not possible, suitable insulation must be used.