



SDHG1533



33.75" x 14.75" x 18" (H x W x D)

15" wide shallow depth built-in undercounter beverage center with glass door, stainless steel interior, black cabinet, lock, and digital controls

Highlights:

Just under 15" wide for an easy fit, with a flush back design to save space

Unique 18" shallow depth for an easy fit in kitchen islands

Elegant design with a seamless stainless steel glass door trim

Product Features:

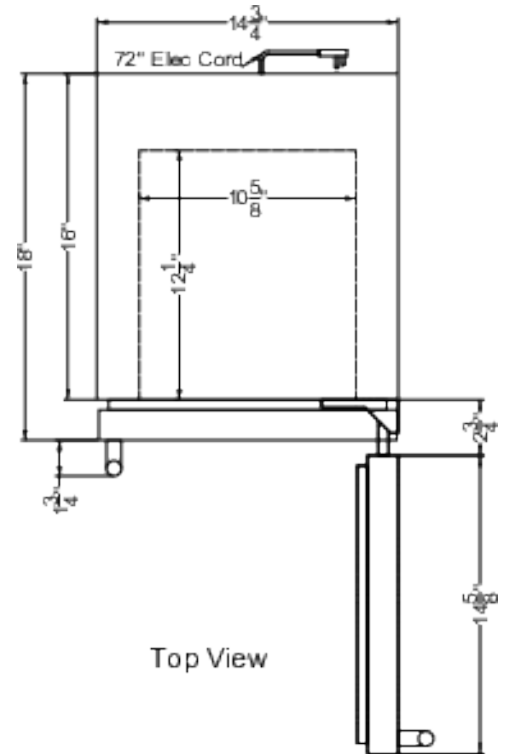
15" Wide Beverage Center	Undercounter glass door beverage refrigerator for residential or commercial use
18" depth	Unique 18" depth is ideal for wet bars, island kitchens, and other undercounter areas with limited footprint space
Built-In capable	Front-breathing design lets you make the best use of space by installing your appliance under the counter
Commercially approved	ETL-S listed to NSF-7 Standards for use in commercial establishments
Double pane tempered glass door	Elegant design offers a clear but protected view of your interior
Stainless steel interior	Walls and floor are constructed from stainless steel for added strength and easy cleanup
Seamless stainless steel door trim	Glass is framed by with a flush one-piece stainless steel trim for an elevated look
Fully articulating European style hinge	Smoother opening and a better fit with an integrated European hinge
Professional handle	Stainless steel handle completes the look



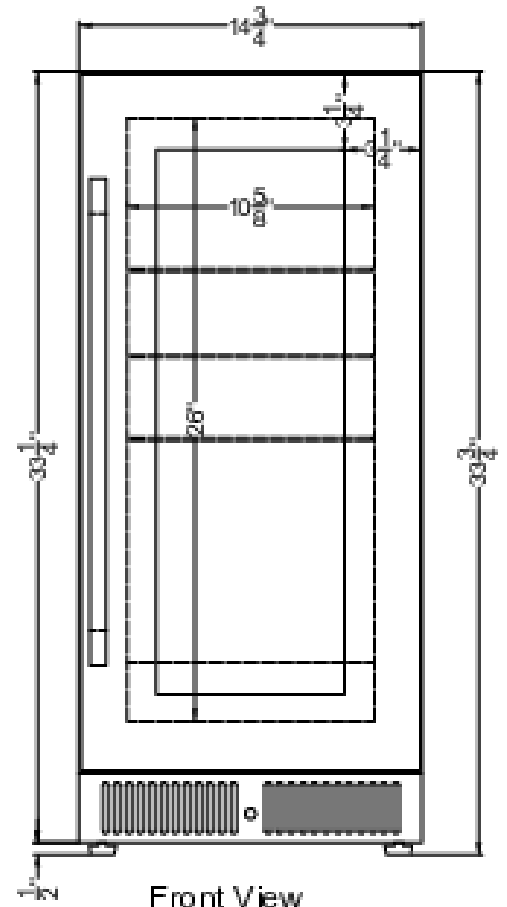
SDHG1533 Specifications:

Overview	
Nominal Width	15.0" (38 cm)
Nominal Depth	18.0" (46 cm)
Nominal Height	34.0" (86 cm)
Height of Cabinet	33.75" (86 cm)
Width	14.75" (37 cm)
Depth	18.0" (46 cm)
Depth with Handle	19.75" (50 cm)
Depth with door at 90°	32.63" (83 cm)
Capacity	1.9 cu.ft. (54 L)
Defrost Type	Frost-Free
Door	Glass
Cabinet	Black
US Electrical Safety	ETL
Canadian Electrical Safety	ETL-C
Sanitation	ETL-S
Energy Usage/Year	270.0kWh/year
Amps	1.0
Voltage/Frequency	115 V AC/60 Hz
Weight	86.0 lbs. (39 kg)
Parts & Labor Warranty	1 Year
Compressor Warranty	5 Years
UPC	761101106342
Refrigerator Features	
Sabbath Mode	Yes
Door Swing	RHD
Reversible	Yes
Shelf Type	Glass
Shelf Qty	3
Adjustable Shelves	Yes
Thermostat Type	Digital
Fan Type	Interior and Exterior
Refrigerant Type	R600a
Refrigerant Amount	0.85oz.
High Side PSI	270.0
Low Side PSI	105.0
Level Legs Qty	4
Interior Light	Yes

Temperature Range	36° F to 43°F
Sound Level	33.5 dB
Dimensions	
Interior Height	26.0" (66 cm)
Interior Width	10.63" (27 cm)
Interior Depth	12.25" (31 cm)
Compressor Step Height	3.75" (10 cm)
Compressor Step Width	10.63" (27 cm)
Compressor Step Depth	5.0" (13 cm)



Top View



Front View