

P.3

INSTALLATION MANUAL

P.39

INSTALLATION MANUEL

P.75

MANUAL DE INSTALACIÓN



RANGE TOP

FORZATM

INSTALLATION MANUAL

RANGE TOP MODELS

FRT304GN

FRT366GN

FORZA™

Congratulations on your recent Forza purchase! Before you begin using your new Forza product, please take a moment to review the Installation Manual. You will find the answers to all of your questions as well as some very important safety information. Pay special attention to the Important Safety Instructions located at the beginning of the manual. Your Forza product is ready and waiting to be used for your next gourmet creation!

Table of Contents

05	Safety Instructions
08	Ventilation Requirements
08	Cabinet Preparation
15	Unpacking, Assembly and Moving of the Rangetop
16	Unpacking the Rangetop
18	Gas Requirements
22	Electrical Requirements
24	Test Rangetop Burners
25	Converting Appliance for Use with LP Gas
27	Converting Appliance for Use with Natural Gas
30	Low Flame Adjustment
33	High-Altitude Adjustment Instructions
35	Technical Data
37	Installer Checklist

This Forza appliance is proudly made in Modena, Italy
by GlemGas S.p.A, a family owned company.
www.forzacucina.com

Safety Instructions

Pay attention to these symbols present in this manual:



This is the safety alert symbol.

This symbol alerts you to potential hazards that can kill or hurt you and others.

All safety messages will follow the safety alert symbol and either the word "DANGER" or "WARNING."

▲ DANGER

You can be killed or seriously injured if you don't immediately follow instructions.

▲ WARNING

You can be killed or seriously injured if you don't follow instructions.

All safety messages will tell you what the potential hazard is, tell you how to reduce the chance of injury, and tell you what can happen if the instructions are not followed.

IMPORTANT: Save these instructions for local electrical inspector use.

INSTALLER: Please leave this manual with owner for future reference. Leave these instructions with the appliance.

OWNER: Please keep this manual for future reference.



IMPORTANT: Special Warning – Please read all instructions before using this appliance as proper installation is the owner's responsibility. Have a qualified technician install this range.



IMPORTANT:

- **Observe all governing codes and ordinances.**
- **Write down the model and serial numbers before installing the range. Both numbers are on the serial rating plate, located under or behind the product.**

WARNING

If the information in this manual is not followed exactly, a fire or explosion may result in property damage, personal injury or death.

Do not store or use gasoline or other flammable vapors and liquids in the vicinity of this or any other appliance.

What to do if you smell gas.

- **Do not try to light any appliance.**
- **Do not touch any electrical switch.**
- **Do not use any phone in your building.**
- **Immediately call your gas supplier from a neighbor's phone. Follow the gas supplier's instructions.**
- **If you cannot reach your gas supplier, call the fire department.**

Installation and service must be performed by a qualified installer, service agency or the gas supplier.

Before Starting Installation:

- Check location where range will be installed. The location should be away from strong drafty areas, such as windows, doors and strong heating vents or fans.
- Ensure electrical grounding is readily available as it is required for proper installation.
- Assure that electrical installation is adequate and in conformance with National Electrical Code, ANSI/NFPA 70 - latest edition**, or Canadian Electrical Code, part 1C22.1 (latest edition)*** and all local codes and ordinances.
- Assure that gas connection conforms with local codes and ordinances. In the absence of local codes, installations must conform with American National Standard, National Fuel Gas Code ANSI Z223/NFPA 54 - latest edition** Canadian CAN/CGA_B 149.1 or CAN/CGA-149.2 latest edition.**

Copies of the standards listed may be obtained from:

** National Fire Protection Association One Batterymarch Park Quincy, Massachusetts 02269

*** CSA International 8501 East Pleasant Valley Rd. Cleveland, OH 44131-5575

Examine the appliance after unpacking it. In the event of transport damage, do not plug it in.

Remove all tape and packaging before using the appliance. Destroy the packaging after install. Never allow children to play with packaging material.

FOR MASSACHUSETTS INSTALLATIONS:

- 1. Installation must be performed by a qualified or licensed contractor, plumber or gas fitter qualified or licensed by the state, province or region where this appliance is being installed.**
- 2. Shut-off valve must be a “T” handle gas cock.**
- 3. Flexible gas connector must not be longer than 36” (914mm).**

NOTE: This range is NOT designed for installation in manufactured (mobile) homes or Recreational Park Trailers.

Mobile Home Installation

The installation of this appliances must conform to the Manufactured Home Construction and Safety Standards, Title 24 CFR, Part 3280 (formerly the Federal Standard for Mobile Home Construction and Safety; Title 24 HUD part 280); or when such standard is not applicable, the Standard for Manufactured Home Installations (Manufactured Home Sites, Communities and Setups), ANSI A225.1 - latest edition, or with local codes.



IMPORTANT: GAS TYPE VERIFICATION

Before connecting the appliance to the gas supply line, ensure that its gas setting is appropriate. The type of gas adjusted and shipped from the factory is indicated on the rating plate.

⚠ WARNING

When connecting the unit to propane gas, make certain the propane gas tank is equipped with its own high pressure regulator in addition to the pressure regulator supplied with the range. The maximum gas pressure to this appliance must not exceed 14.0” water column (34.9 mb) from the propane gas tank to the pressure regulator.



CAUTION: These ranges weigh up to 400 pounds. Some disassembly will reduce the weight considerably. Due to the weight and size of the range and to reduce the risk of personal injury or damage to the product:

TWO PEOPLE ARE REQUIRED FOR PROPER INSTALLATION.

Ventilation Requirements

Vent Hood Combinations:

It is recommended that these ranges be installed in conjunction with a suitable overhead vent hood.

Due to the high heat capacity of this unit, particular attention should be paid to the hood and ductwork installation to assure it meets local building codes.



WARNING: Air curtain or other overhead hoods, which operate by blowing a downward air flow on to a range-top, shall not be used in conjunction with ranges with gas cooktop other than when the hood and range-top have been designed, tested and certified by an independent test laboratory for use in combination with each other. Clearances to horizontal surfaces above the range, measured to the cooking surface are below. Failure to comply may result in fire hazard.

- Installations without a hood require 30" minimum to combustibles;
- A custom hood installation with exposed horizontal combustible surfaces must have an Auto-On feature;
- For other installations with a hood, refer to the hood installation instructions for specific hood clearances.

Cabinet Preparation



IMPORTANT NOTE: When installing against a combustible surface, a minimum riser is required for a the range-top, follow all minimum clearances to combustible surfaces shown in the illustration on the previous pages. The range-top is a free standing unit. If the unit is to be placed adjacent to cabinets, the clearances shown in Figure 1, are required. The same clearances apply to island installations, except for the overhead cabinets, which must have a space wide enough to accept the flared island hood.

- Any openings in the wall behind the range and in the floor under the range must be sealed.
- When using the island hood a minimum 12" (305 mm) rear clearance to a combustible surface is recommended (see Figure 2 on page 10, Cabinet Clearances). Clearances from non-combustible materials are not part of the ANSI Z21.1 scope. Clearances of less than 12" (305 mm) must be approved by the local codes and/or by the local authority having jurisdiction.
- When the range is installed against a combustible side wall a minimum clearance of 8" (203mm) is needed from the side of the range to the wall.
- Always keep appliance area clear from combustible materials, gasoline and other flammable vapors and liquids. The maximum depth of overhead cabinets installed on either side of the hood is 13" (330mm).
- Do not obstruct the flow of combustion and ventilation air to the unit.

There is a 48" (1220 mm) minimum clearance required between the top of the cooking surface and the bottom of an unprotected cabinet.

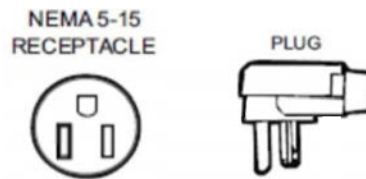
A 48-inch minimum clearance is required between the top of the cooking surface and the bottom of an unprotected cabinet. A 30-inch clearance can be used when the bottom of the wood or metal cabinet is protected by not less than No. 28MSG sheet steel, 0.015 inch (0.4 mm) thick stainless steel, 0.024 inch (0.6 mm) aluminium, or 0.020 inch (0.55 mm) thick copper. Flame retardant materials bear the mark:

UNDERWRITERS LABORATORIES INC. CLASSIFIED MINERAL AND FIBER BOARDS SURFACE CHARACTERISTICS

Followed by the flame spread and smoke ratings. These designations are shown as "FHC (Flame Spread/Smoke Developed)". Materials with "O" flame spread ratings are flame retardant. Local codes may allow other flame spread ratings.

Electrical Supply

The cord supplied with the gas ranges having an electric griddle requires a NEMA 5-15 receptacle.

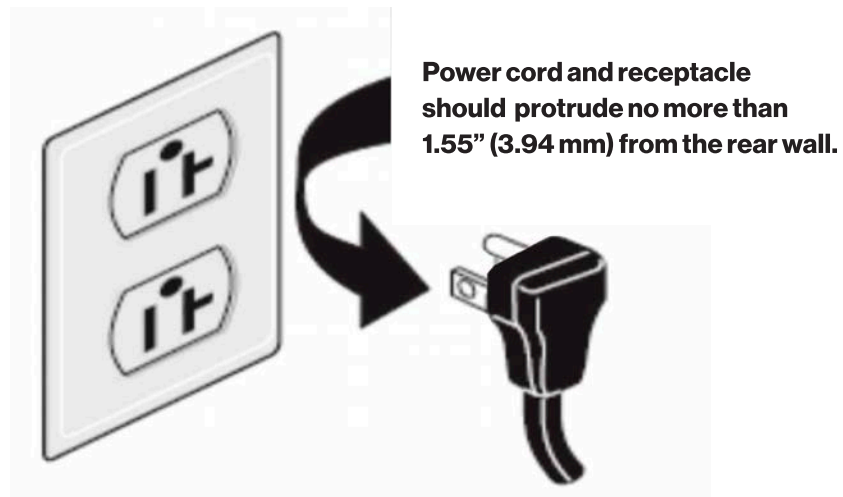


When the power supply cord is connected to the mating receptacle, the combined plug/receptacle connection should protrude no more than 1,55" (39,4 mm) from the rear wall.

⚠ WARNING

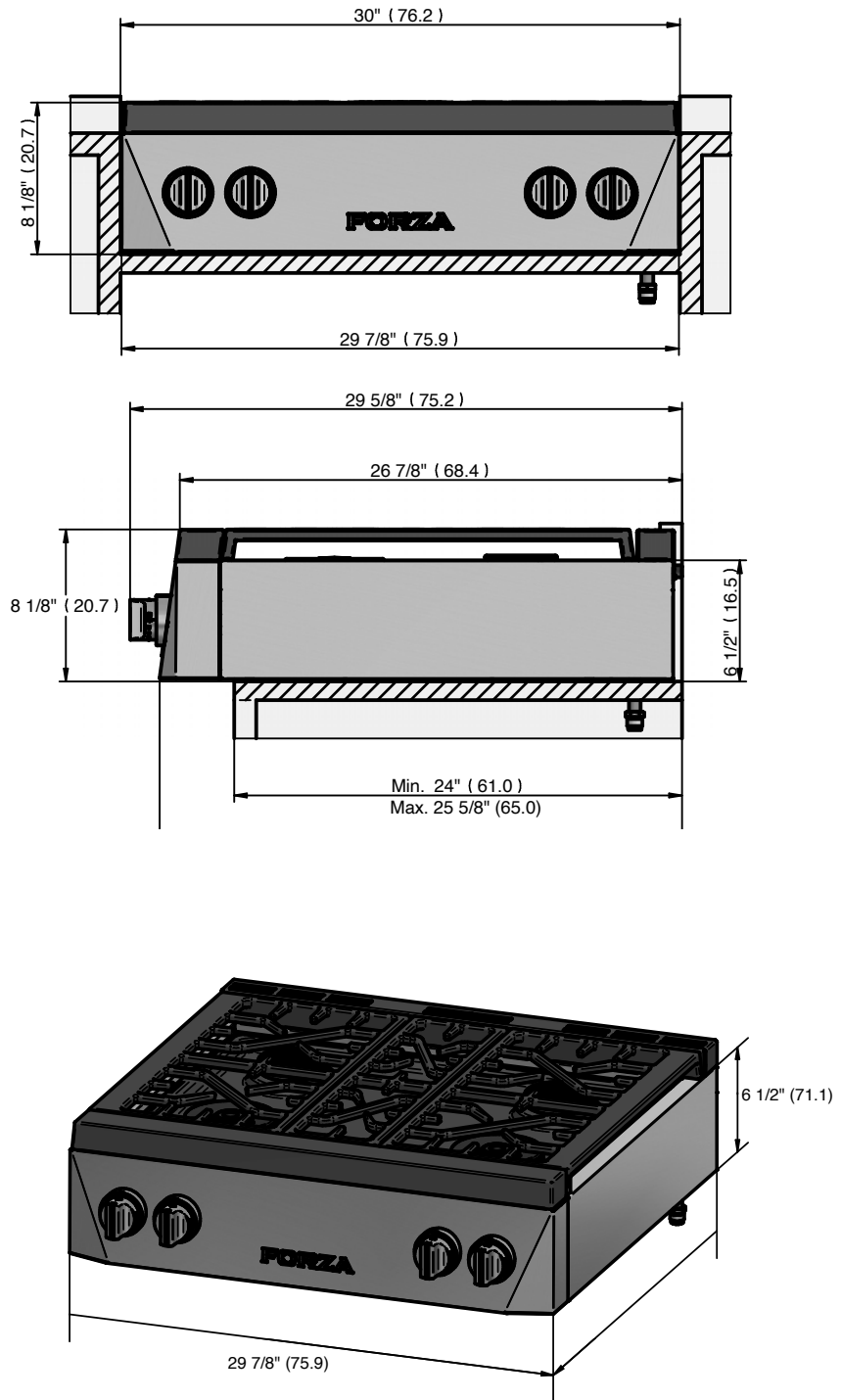
This product must be properly grounded.

NOTE: Plug styles may vary.



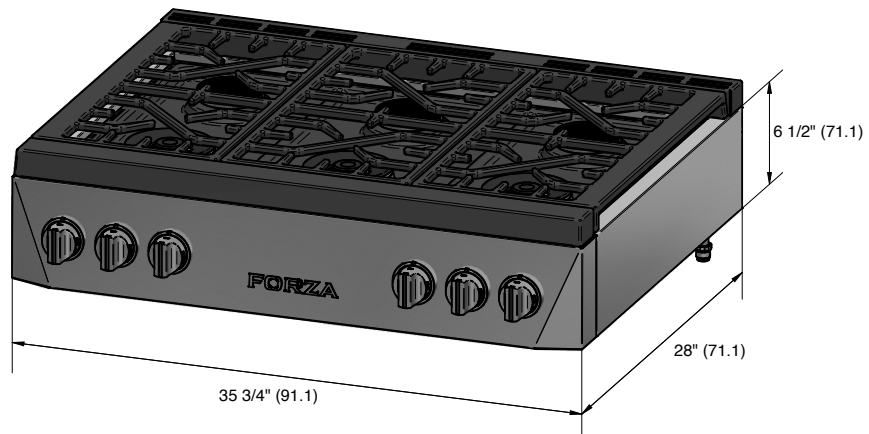
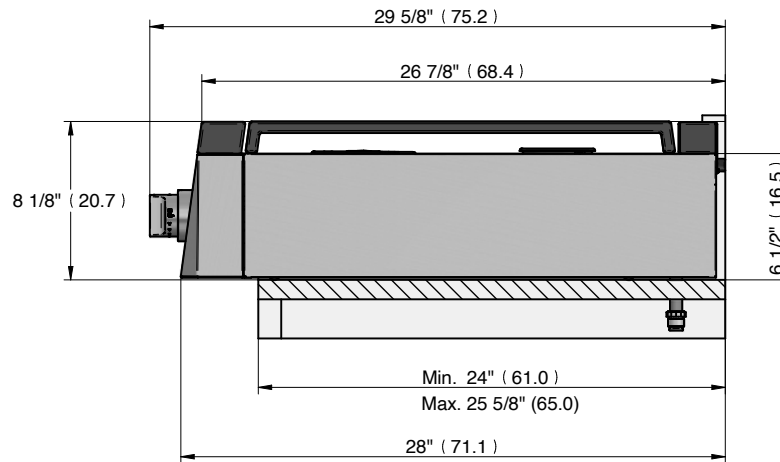
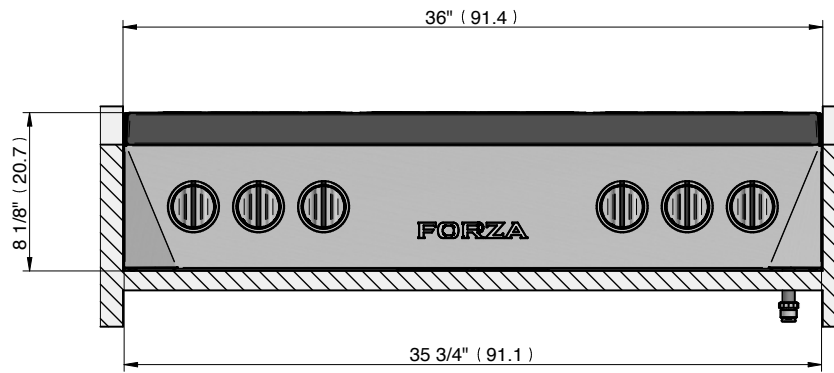
Product Dimensions

30" Wide Rangetop Models



Product Dimensions

36" Wide Rangetop Models



Cutout Requirements

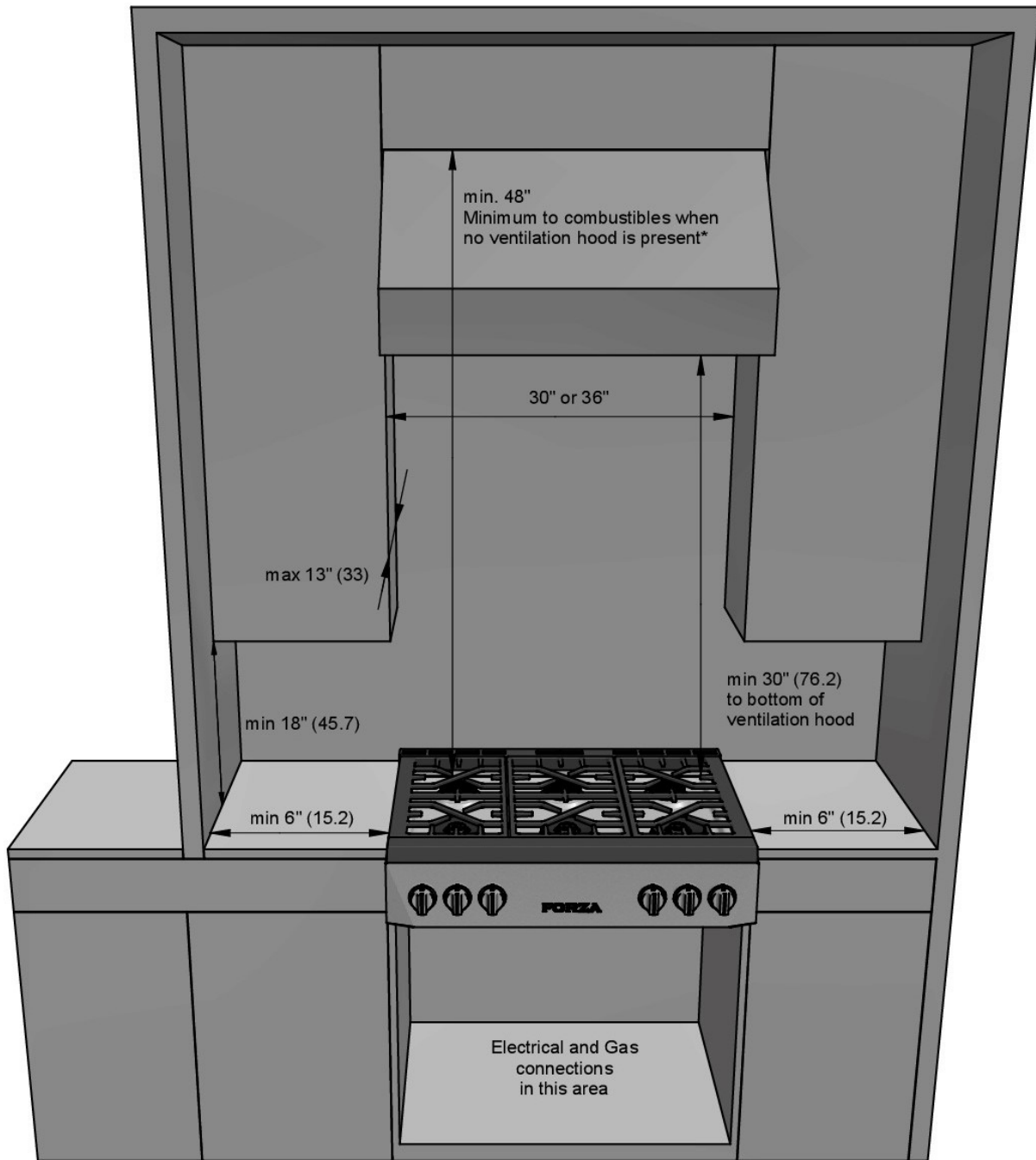


Figure 1

To eliminate the risk of burns or fire by reaching over heated surface units, cabinet storage space located above the surface units should be avoided. If cabinet storage is to be provided, the risk can be reduced by installing a range hood that projects horizontally a minimum of inches beyond the bottom of the cabinets. All openings in the wall or floor where the range is to be installed must be sealed.

Installation with separator sheet, type 1 (perspective view)

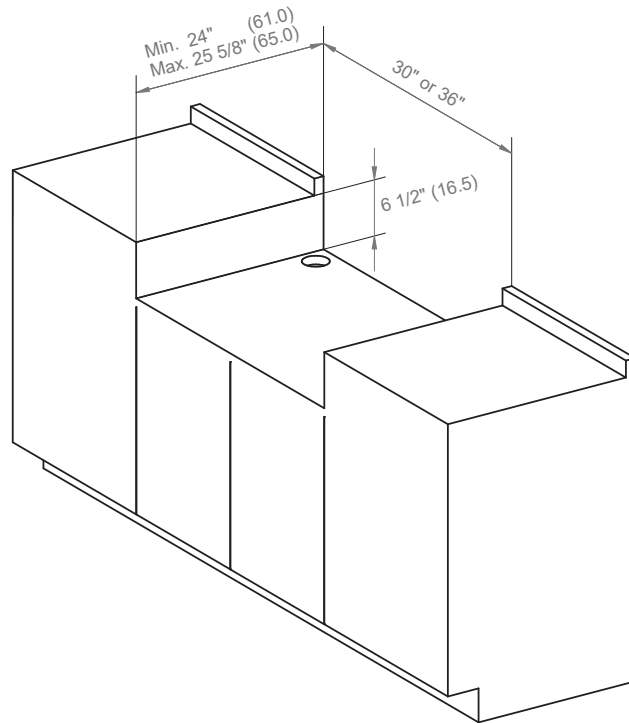


Figure 2

Installation with separator sheet, type 1 (plan view)

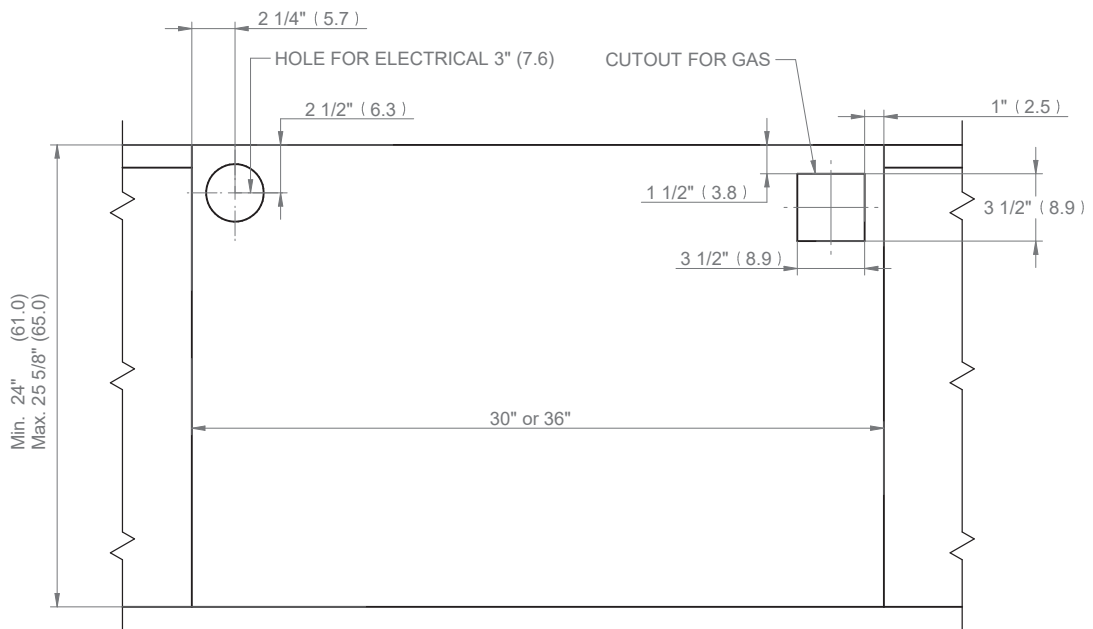


Figure 3

Installation with separator sheet, type 2 (perspective view)

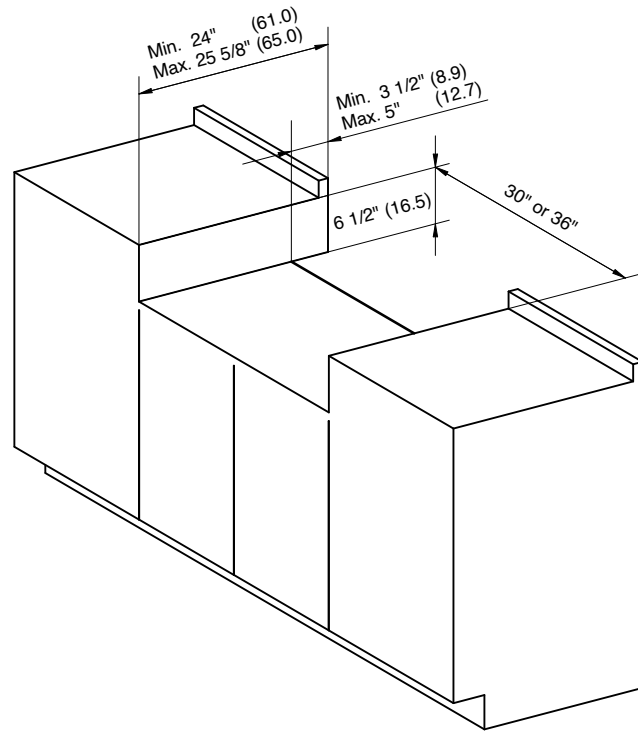


Figure 4

Installation with separator sheet, type 2 (plan view)

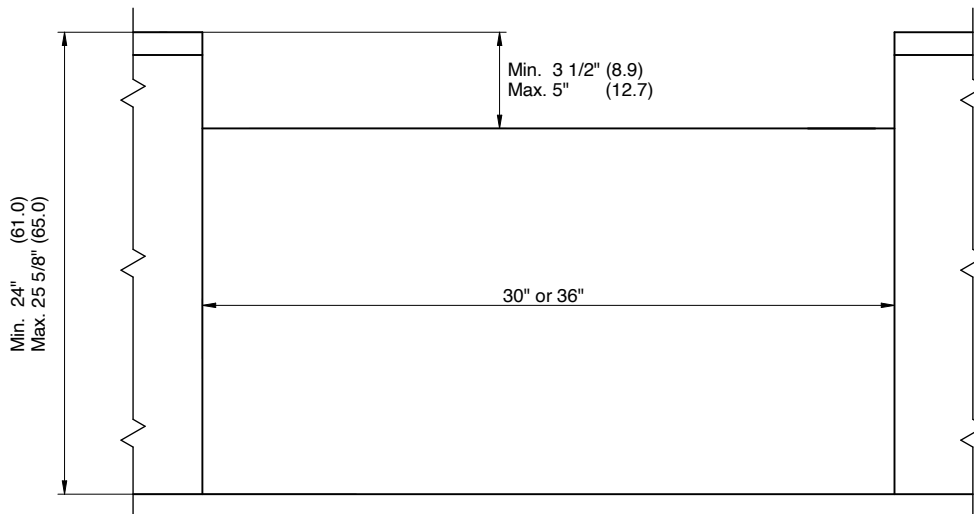


Figure 5

Choosing Range Location

Carefully select the location where the range will be placed. The range should be located for convenient use in the kitchen, but away from strong drafts.

Strong drafts may be caused by open doors or windows, or by heating and/or air conditioning vents or fans.

Unpacking, Assembly and Moving of the Rangetop

WARNING

DO NOT lift the appliance by the range's control panel.

The unit is heavy and should be handled accordingly. Proper safety equipment such as gloves and adequate manpower of at least two people must be used in moving the range to avoid injury and to avoid damage to the unit or the floor.

Rings, watches, and any other loose items that may damage the unit or otherwise might become entangled with the unit should be removed.

Hidden surfaces may have sharp edges. Use caution when reaching behind or under appliance.

DO NOT use a hand truck or appliance dolly on the back or front of the unit. Handle from the side only.

WARNING

KEEP AWAY FROM SMALL CHILDREN. THE THIN FILM MAY CLING TO NOSE AND MOUTH AND PREVENT BREATHING.

To avoid danger of suffocation, keep the plastic bag away from babies and children. Do not use this bag in cribs, beds, carriages or play pens. This bag is not a toy.

Cut Hazard

Beware of sharp edges. Use the polystyrene ends when carrying the product. Failure to use caution could result in minor injury or cuts.

Remove packaging materials and literature package from the oven before beginning installation.

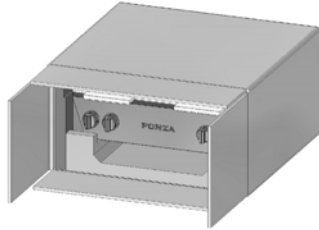
Remove Installation Instructions from the literature pack and read them carefully before you begin.

Unpacking the Rangetop

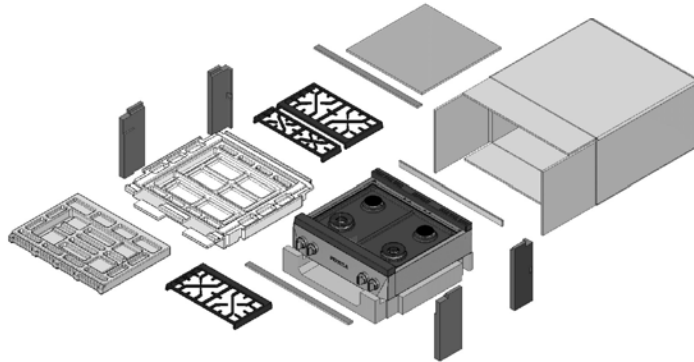
- 1) Remove the outer carton and packing materials, but leave the adhesive-backed foam layer over brushed-metal surfaces, to protect finish from scratches, until the range is installed in its final position.



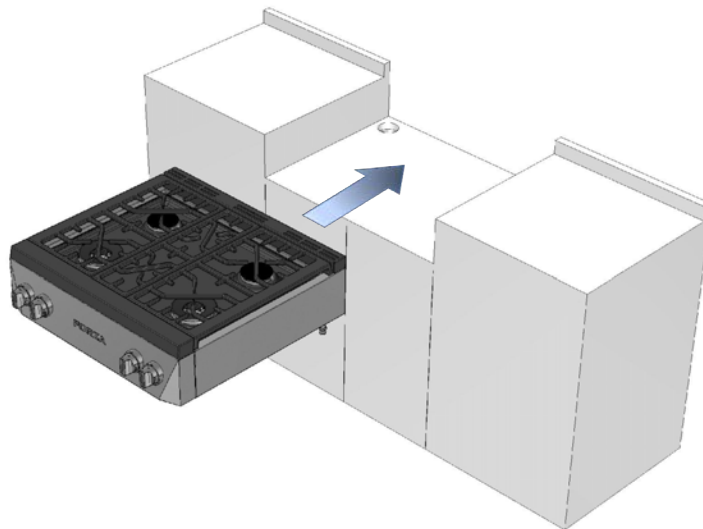
CAUTION: Stand clear. The ends of the cut banding may snap toward you.



- 2) It is recommended that the grates, griddle plate, burner caps and oven racks be removed to facilitate handling.



- 3) Slide the range top into place.



CAUTION: Doors and passageways leading to the installation location require at least 31" opening. If the opening is less than 31", the oven door(s) and control knobs must be removed. (See Use & Care manual for oven door removal instructions).

Moving the Range

Due to the weight, a furniture dolly with soft wheels or an air lift should be used to move this unit. The weight must be supported uniformly across the bottom.

	30" RANGE-TOP	36" RANGE-TOP
Shipping Weight	88 lvr (40Kg)	108 lvr (49Kg)
Weight without packaging materials	84 lvr (38Kg)	104 lvr (47Kg)

Gas Requirements

QUALIFIED SERVICE MAN OR GAS APPLIANCE INSTALLER MUST MAKE THE GAS SUPPLY CONNECTION.

High Altitude

For altitudes above 2,000 feet (610 m) above sea level, adjustments can be made with the instructions in the manual. If flame performance is satisfactory, will not be required regulation. It is required that a Certified Professional make the high altitude adjustments during installation.

⚠ WARNING

Gas line must not come in contact with any components inside back cover of the range.

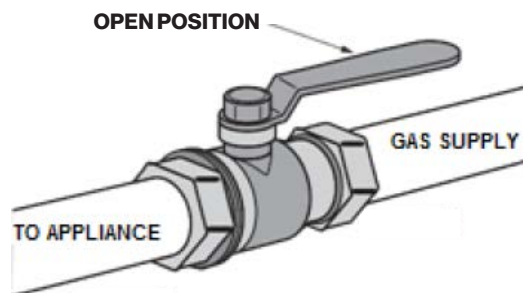
⚠ WARNING

If the line pressure supplying the appliance pressure regulator exceeds 14 inches W.C. (any gas), an external regulator must be installed in the gas line ahead of the appliance regulator to reduce the pressure to no more than 14 inches W.C. Failure to do this can result in malfunction and damage to the appliance.

⚠ WARNING

The appliance must be isolated from the gas supply piping system by closing its individual manual shut-off valve during any pressure testing of the gas supply piping system at test pressures exceeds, equal to or less than ½ psig (3.5kPa.) and damage to the appliance.

Gas Connection



A manual gas shut-off valve must be installed external to the appliance, in a location accessible from the front, for the purpose of shutting off the gas supply. The supply line must not interfere with the back of the unit. Make sure the gas supply is turned off at the manual shut-off valve before connecting the appliance. Use a 3/4" (19 mm) flex line (48 Ft max - 1219 mm) to connect between the gas supply and the appliance gas inlet.

The gas pressure regulator is supplied and already installed with this appliance. The supply piping, except as noted, should use common National Pipe Thread (N.P.T.).

The appliance gas inlet connection is 1/2" (12.7 mm) NPT.

For all pipe connections use an approved pipe joint compound resistant to the action of LP gas.

Take care not to apply excessive pressure when tightening the fittings.

! **IMPORTANT: Never reuse old connectors when installing this range.**

To reduce the likelihood of gas leaks, apply teflon tape or a thread compound approved for use with LP or Natural gases to all threaded connections.

Apply a non-corrosive leak detection fluid to all joints and fittings in the gas connection between the supply line shut-off valve and the cooktop inlet.

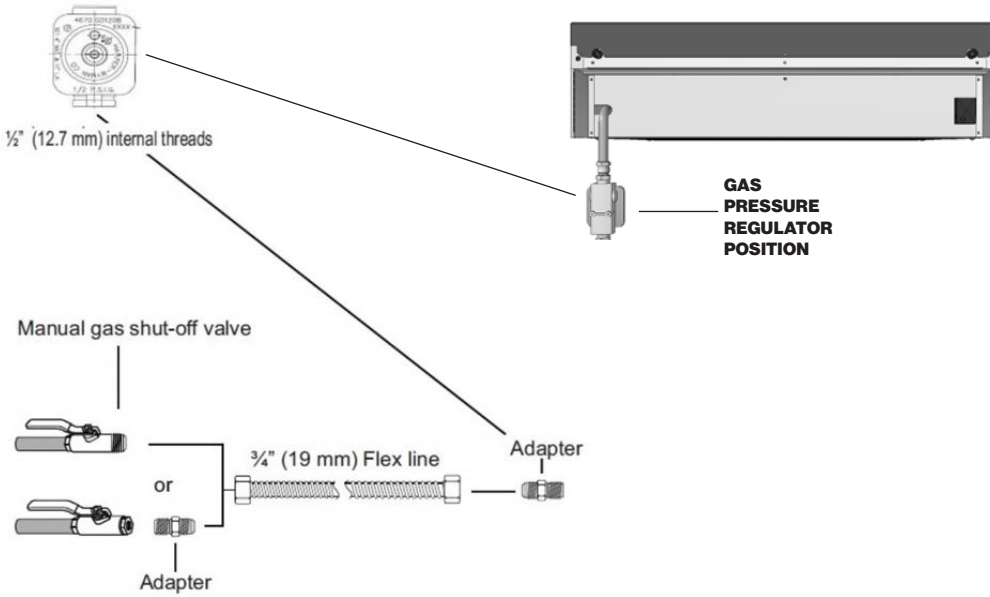
Check for leaks!

Bubbles appearing around fittings and connections will indicate a leak. If a leak appears, turn off supply line gas shut-off valve, tighten connections, turn on the supply line gas shutoff valve, and retest for leaks. Never test for gas leaks with an open flame.

NEVER TIGHTEN TO MORE THAN 35 ft lbs OF TORQUE.



CAUTION: Do not attempt to attach the flexible connector directly to an external pipe thread. Connection requires flare union adapters.



FOR ALTERNATIVE PIPING METHODS TO CONNECT THE APPLIANCE TO THE GAS SUPPLY, A TRAINED SERVICE TECHNICIAN OR GAS APPLIANCE INSTALLER MUST MAKE THE GAS SUPPLY CONNECTION.

Leak testing of the appliance shall be conducted by the installer according to the instructions given.

For Massachusetts Installations:

- 1) Shut-off valve must be a "T" handle gas valve.
- 2) Flexible gas connector must not be longer than 36 inch.
- 3) Not approved for installation in a bedroom or a bathroom unless unit is direct vent.

This appliance is designed for use with NG gas or LP gas. The gas pressure regulator is supplied with this appliance. It must be installed in the gas ahead of the manifold entrance. It could be pre-set for use with natural gas. Check the data plate.

To use it with different gas it must be converted, as described in the Gas Conversion paragraph.

If at any time the appliance is to be used with a different type of gas, all the conversion adjustments must be made by a qualified technician before attempting to operate the range with that gas.

GAS REQUIREMENTS	
Natural Gas	WC
Supply Pressure	4" (10 mbar)
Min. Line Pressure	5" (12.5 mbar)
Max. Line Pressure	14" (34.9 mbar), .5 psi (3.5 kPa)

GAS REQUIREMENTS	
LP Gas	WC
Supply Pressure	11" (27 mbar)
Min. Line Pressure	12" (27.4 mbar)
Max. Line Pressure	14" (34.9 mbar), .5 psi (3.5 kPa)

Pressure Testing

The appliance must be isolated from the gas supply piping system by closing its individual manual shut-off valve during any pressure testing of the gas supply piping system at test pressures equal to or less than 1/2 PSIG (3.5 kPa).

This appliance, as well as its individual shut-off valve, must be disconnected from the gas supply piping system during any pressure testing of the system at test pressures in excess of 1/2 PSIG (3.5 kPa).

When checking appliance regulator function, make certain pressure of natural gas supply is between 6 and 14 inches of water column or, if converted for LP gas, between 11 and 14 inches.

Electrical Requirements

This appliance must be supplied with the proper voltage and frequency and connected to an individual, properly grounded branch circuit, protected by a circuit breaker or fuse having amperage as noted on the rating plate. We recommend having the electrical wiring and hookup of your appliance connected by a qualified electrician.

After installation, have the electrician show you where your main appliance disconnect is located. Check with your local utilities for electrical codes which apply in your area. Failure to wire your cooktop according to governing codes could result in a hazardous condition.

If there are no codes, your appliance must be wired and fused to meet the requirements of the National Electrical Code, ANSI/NFPA No. 70 - Latest edition. You can get a copy by writing:

National Fire Protection Association
Battery march Park
Quincy, MA 02269

MODEL TYPE	VOLTAGE	CIRCUIT RATING	FREQUENCY	PHASE
30" Rangetop	120 VAC	0,005 Amps	60 Hz	Single
36" Rangetop	120 VAC	0,005 Amps	60 Hz	Single

WARNING

An improper 120 VAC power supply will cause malfunction, damage to this appliance, and possibly create a condition of shock hazard.

Before you plug in an electrical cord, be sure all controls are in the OFF position.

An adequate electrical supply and outlet must be used to operate the electrical parts of your appliance.



WARNING: Electrical Grounding Instruction Plug into a grounded 3 prong outlet. Do not remove ground prong. Do not use an adapter. Do not use an extension cord. Failure to follow these instructions can result in death, fire, or electrical shock.

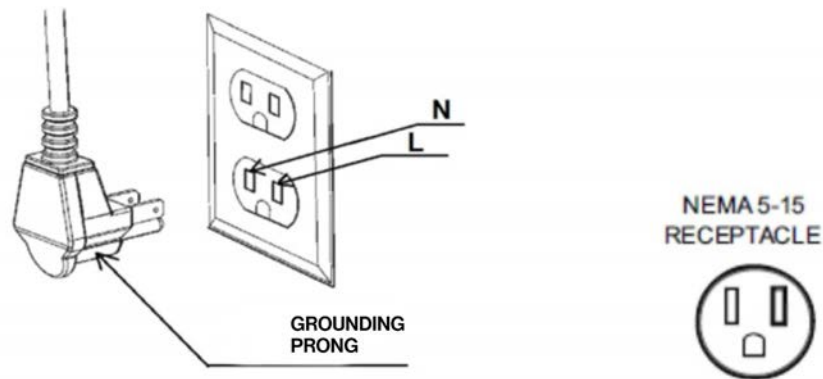


IMPORTANT: For personal safety, this appliance must be properly grounded.

The power cord of this appliance is equipped with a 3-prong (grounding) plug which must be used with a properly grounded 3-hole outlet with a standard 120 Volt, 60 cycle AC household current. If you do not have a 3-hole grounded outlet, have a qualified electrician change your old one. A grounding adaptor will be needed to convert the old one until the outlet can be replaced. This method is only temporary, and a qualified electrician should test it to be sure it meets requirements.

Do not under any circumstances cut or remove grounding prong from the appliance cord.

Plug Power Supply Cord



⚠ WARNING

- If cold water pipe is interrupted by plastic, non metallic gaskets, union connections or other insulating materials, **DO NOT** use for grounding.
- **DO NOT** ground to a gas pipe.
- **DO NOT** have a fuse in the **NEUTRAL** or **GROUNDING** circuit. A fuse in the **NEUTRAL** or **GROUNDING** circuit could result in an electrical shock.
- Check with a qualified electrician if you are in doubt as to whether the appliance is properly grounded.
- Failure to follow these instructions could result in serious injury or death.



CAUTION: Do not repair or replace any part of the appliance unless specifically recommended in the manual. All other servicing should be done by a qualified technician. This may reduce the risk of personal injury and damage to the appliance. Never modify or alter the construction of the appliance by removing panels, wire covers, screws, or any other part of the product.

Test Rangetop Burners

Install any loose components, such as burner caps and grates that may have been removed earlier. Be certain that burner caps seat properly into the burner bases. Before testing operation of the appliance, verify that the unit and the gas supply have been carefully checked for leaks and that the unit has been connected to the electrical power supply. Turn the manual gas shut open position.

Test Burner Ignition

Select a range top burner knob. Push in and turn counterclockwise to HI. The ignitor/spark module will produce a clicking sound. Once the air has been purged from the supply lines, the burner should light within four (4) seconds.

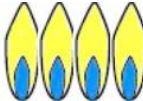
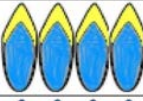

Test Flame: High Setting

Turn burner on to high. See Figure for appropriate flame characteristics. If any of the rangetop burners continue to burn mostly or completely yellow, verify that the burner cap is positioned properly on the burner base, then re-test. If flame characteristics do not improve, call Forza.

Test Flame: Low Setting

Turn burner on to Low. Verify that the flame completely surrounds the burner. There should be a flame at each burner port and there should be no air gap between the flame and the burner. Fan each of the flames out and allow to reignite to verify burner reignition. If any burners do not carry over, call Forza.

Repeat the Ignition and Flame Test procedures, described for each range top burner.

Yellow Flames Further adjustment is required	
Yellow Tips on Outer Cones Normal for LP Gas	
Soft Blue Flames Normal for Natural Gas	

If the flame is completely or mostly yellow, verify that the regulator is set for the correct fuel. After adjustment, retest.

Some orange-colored streaking is normal during the initial start-up.

Allow unit to operate 4-5 minutes and re-evaluate before making adjustments.

When Flame is Properly Adjusted: There should be a flame at each burner port. There should be no air gap between the flame and burner port.

Call Forza if:

- 1) Any of the burners do not light.
- 2) Any of the burners continue to burn yellow.

Converting Appliance for Use with LP Gas

⚠ WARNING

Conversion is to be performed by an AUTHORIZED SERVICER (or other qualified agency) in accordance with the manufacturer's instructions and all codes and requirements of the authority having jurisdiction. Failure to follow instructions could result in serious injury or property damage. The qualified agency performing this work assumes responsibility for this conversion.

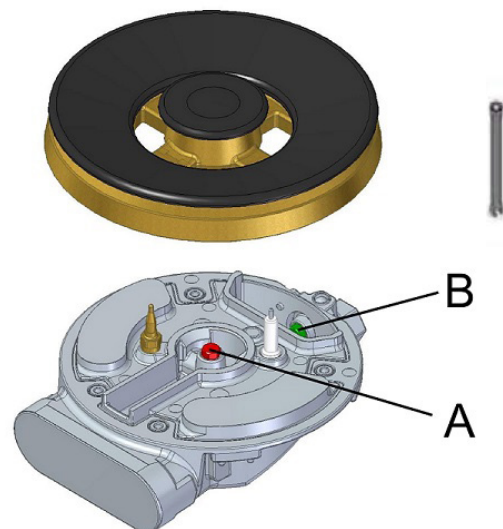


WARNING: Electrical power and gas must be turned off prior to conversion.

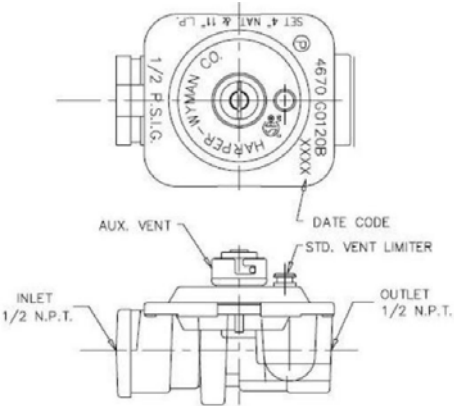
If this appliance is to be converted for use with gas LP (propane or butane), each of the following modifications must be performed:

Replace Injectors (two ring flame burner)

- 1) Remove the grates and burner caps.
- 2) Remove brass gas spreader.
- 3) Remove injector (A) by using a 9-32" nut driver counter clockwise.
- 4) Remove injector (B) by using a 9-32" box wrench counter clockwise.
- 5) Install the injectors supplied with this appliance in the appropriate burner. The injectors have small numbers stamped on the side, this number corresponds with the orifice diameter and its correct burner location (refer to illustrations in the section: "Injectors Position").
- 6) Turn clockwise to tighten (tighten to a torque of 15 to 20 inch-lbs).
- 7) Replace all parts following the reverse order.
- 8) Save the injectors removed from the appliances for future use.



Pressure Regulator



Converting Appliances for Use with LP Gas

If this appliance should be converted for use with LP gas, each of the following modifications must be performed.

- 1) Convert the pressure regulator to LP position as per the section “Pressure Regulator Conversion”.
- 2) Replace all injectors following the step described on the previous pages, observe the number stamped on the side, this number corresponds to the orifice diameter and its correct burner location (refer to the illustrations in section: “Injectors Position”).
- 3) Adjust the burner flame (see Low Flame Adjustment section). Check the appearance of each burner’s flame at HI - LO settings, if the flame appears too large or too small make sure that all steps were completed correctly.

Pressure Regulator Conversion

The appliance is designed for use with NG gas or LP gas. The gas pressure regulator is supplied. It must be installed in the gas supply line ahead of the manifold entrance.

It is pre-set for use with the gas as indicated on the appliance label supplied with the appliance. For use with different gas the appliance must be converted.

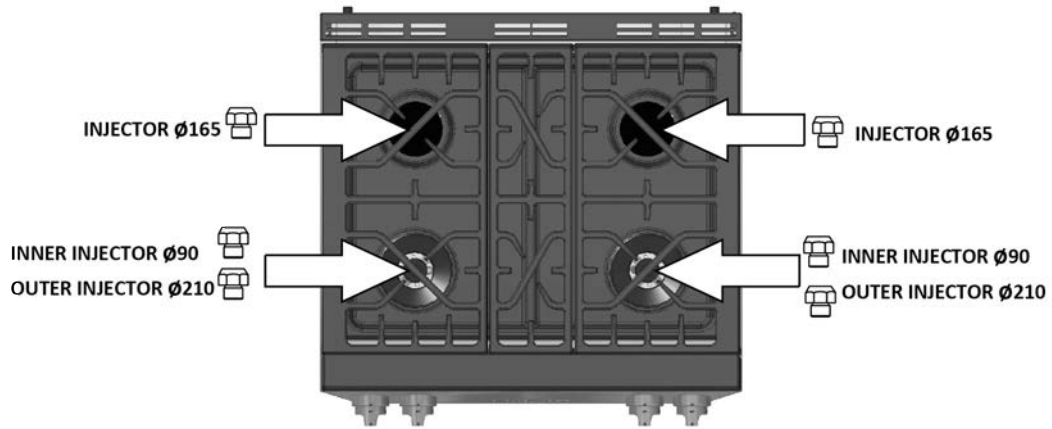
For the pressure regulator conversion follow the instructions below:

- Disconnect all electrical power, at the main circuit breaker or fuse box.
 - Shut off the gas supply to the cooktop by closing the manual shut-off valve.
 - Adjust the pressure regulator, by following the instruction. (see figure for conversion from NG gas to LP gas)
- 1) Unscrew the regulator cap. (figure2)
 - 2) Overturn and screw the cap back on (from NG gas to LPG gas, see figures 4,5).
 - 3) Replace the regulator cap ensuring gasket is in place (figures 6,7).



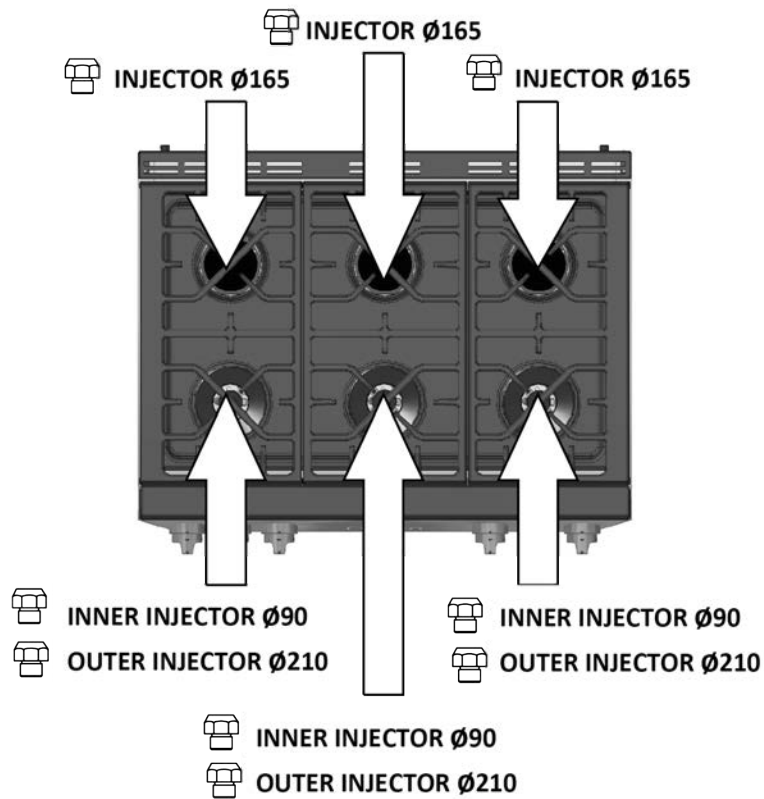
INJECTORS POSITION NATURAL GAS (NG)

30" Rangetop



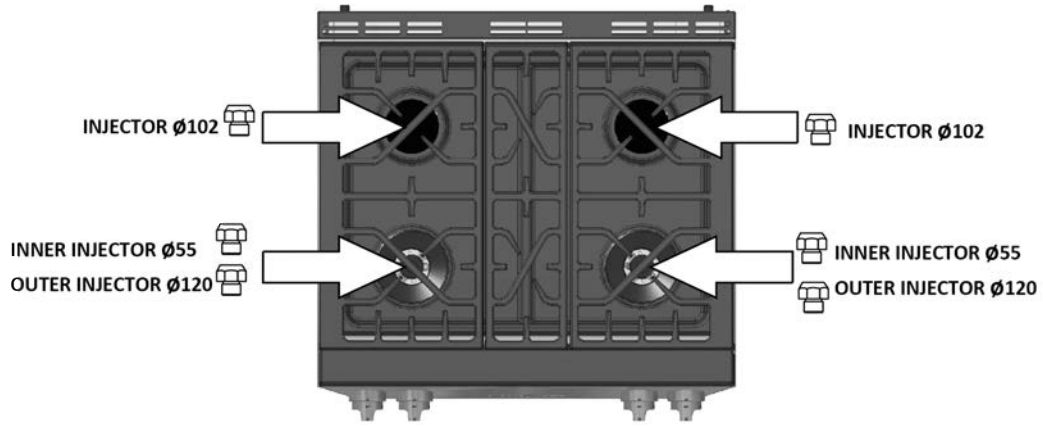
Please note that the dual burner is equipped with two outer injectors with the same diameter;

36" Rangetop



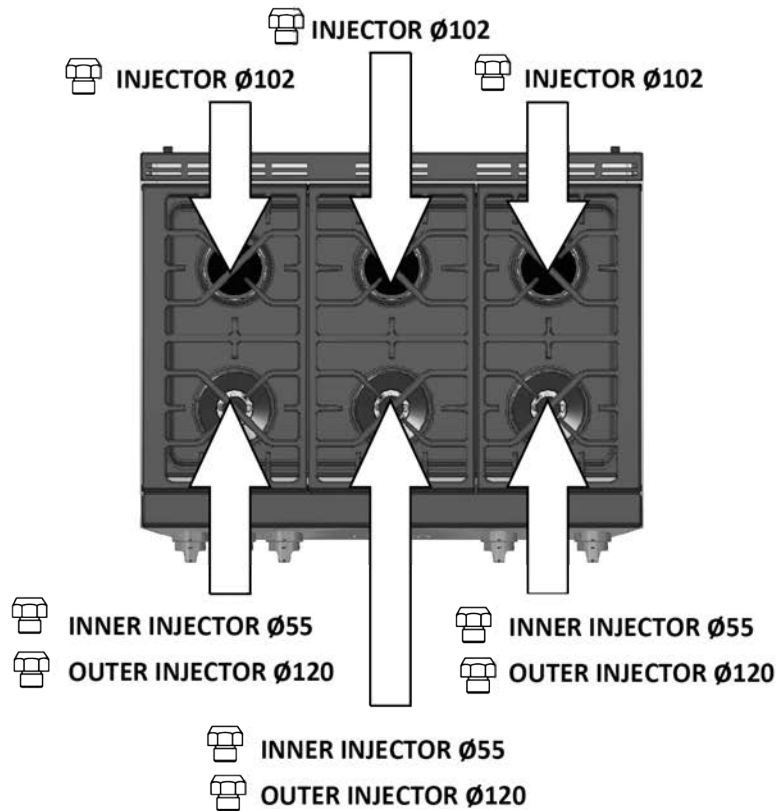
INJECTORS POSITION NATURAL GAS (NG)

30" Rangetop



Please note that the dual burner is equipped with two outer injectors with the same diameter;

36" Rangetop



Low Flame Adjustment

DANGER

Lighting gas burners with a match is dangerous.

You should match light the burners only in an emergency. Light a match and hold the flame near the burner you want to light. Wooden matches work best.

Push in and turn the control knob slowly.

Be sure you are turning the correct knob for the burner you are lighting.

NOTE: If the burner does not light within five seconds, turn the knob off and wait one minute before trying again.

CAUTION

If you attempt to measure the inner cone of the flame, please use caution.

Burns could result.

This appliance is shipped from the factory with low and medium flame settings adjusted.

If further adjustment is necessary, proceed as follows:

Adjustment for Burners with one or two flame rings:

- 1) Light burner and set control knob for low flame.
- 2) Remove control knob from valve stem.
- 3) Insert a slender, thin-blade screwdriver into the recess behind the control knob (Figure 2 for single flame and Figure 3 double flame) and engage blade with slot in adjusting screw. (A single flame; B double flame)
- 4) Turn adjusting screw to set flame size:
 - Clockwise to reduce
 - Counterclockwise to increase
- 5) Replace control knob when adjustment is completed.

CONVERSION FROM NATURAL GAS TO LIQUID GAS

Insert the screwdriver in the hole in the front wall of the instrument panel and turn regulation screw A clockwise.

Proper adjustment will produce a stable, steady blue flame of minimum size.

The final adjustment should be checked by turning the knob from high to low several times without extinguishing the flame. This adjustment, at low setting, will automatically provide the proper flame size at medium setting.

After conversion steps have been completed, check the appearance of each burner's flame at the HI and LO settings, if the flames appear too large or too small review each step to make sure it was completed correctly.

NOTE: To obtain the correct minimum setting with LP gas, turn clockwise tightening the valve(s) fully with the thin-blade screwdriver into the recess behind control knob (A and / or B).

- 1) Remove control knob from valve stem.
- 2) Insert a slender, thin-blade screwdriver into the recess behind the control knob and engage blade with slot in adjusting screw A single flame.

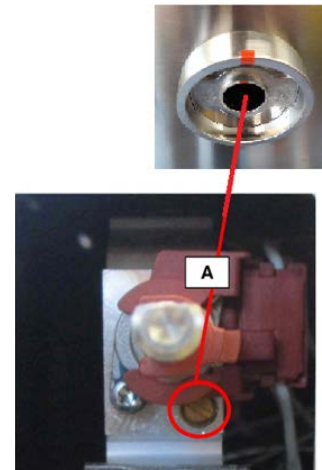


Figure 2: The burner tap with single flame

ADJUSTMENT FOR BURNERS WITH ONE OR TWO FLAME RINGS:

- 1) Remove control knob from valve stem.
- 2) Insert a slender, thin-blade screwdriver into the recess behind the control knob and engage blade with slot in adjusting screw B double flame;

To adjust the screw C the procedure is different:

- 1) Rotate the knob to 90° (Max position);
- 2) Remove control knob in this position.
- 3) Insert a slender, thin-blade screwdriver into the recess behind the control knob and engage blade with slot in adjusting screw C double flame;

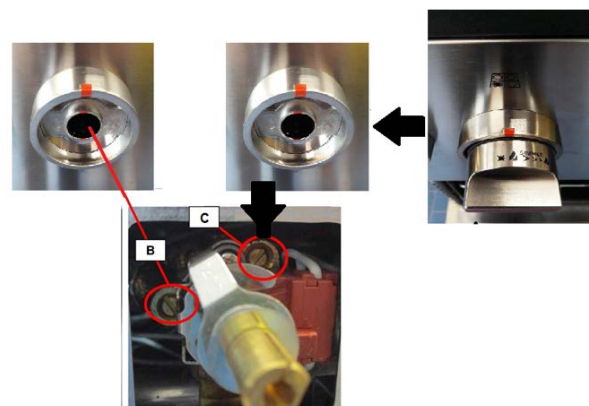


Figure 3: The burner tap with double flame

ELECTRIC GAS IGNITION

The gas burners use an electric ignition device located near each burner ensures burners ignite automatically.

⚠ DANGER

Lighting gas burners with a match is dangerous.

You should match light the burners only in an emergency. Light a match and hold the flame near the burner you want to light. Wooden matches work best.

Push in and turn the control knob slowly.

Be sure you are turning the correct knob for the burner you are lighting.

The Burner Flames

Turn each burner on. Flames should be blue in color with no trace of yellow. The burner flames should not flutter or blow away from the burner. The inner cone of the flame should be between 1/2" and 3/4" long.

⚠ CAUTION

Do not repair or replace any part of the appliance unless specifically recommended in the manual. All other servicing should be done by a qualified technician. This may reduce the risk of personal injury and damage to the appliance. Never modify or alter the construction of the appliance by removing panels, wire covers, screws, or any other part of the product.

High-Altitude Adjustment Instructions

⚠ WARNING

Valve adjustments must be completed by a qualified technician. Damage to the unit could occur.

STEP 1

These instructions are used to adjust ranges and range tops for operation at high altitudes, if necessary.

Important Information for the Installer:

It is important that the following be completed BEFORE making adjustments to the appliance.

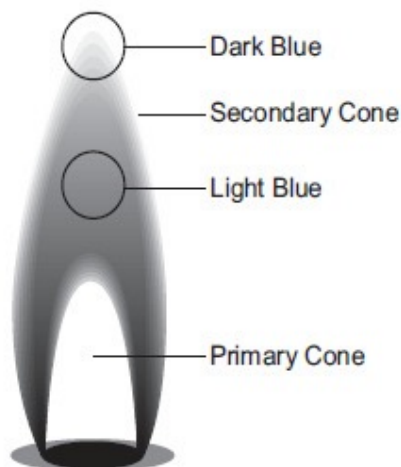
- Leave these instructions with the appliance after installation is complete.
- Read and follow all safety requirements written in the Installation Manual before proceeding with the installation.
- Ensure the appliance is installed and all steps completed as required by the Installation Manual.
- Dual Fuel ranges converted for Propane (LP) Gas

The appliance must first be converted for use with Propane (LP) Gas before it can be converted for use at high altitude. It is required that a Certified Professional install the Propane(LP) Conversion Kit.

STEP 2

- 1) Turn the burner control knob to HI.
 - Once the air has been purged from the supply lines, the burner should light within four seconds.
- 2) Verify that the flames are stable, with no excessive noise.
 - The inner cones of the individual flames should be defined and separate from each other. The flame, along the burner, should not exhibit excessive or continuous indications of “lifting” or “lazy flame”.

NOTE: It is normal for slight yellow tipping of the flames to appear after a few minutes of operation using Propane (LP) Gas. Orange-colored streaks in the flame are produced from burning airborne debris; this is normal during initial start up and should dissipate within a few minutes of operation.



- 3) Adjust the burner's control valve to MIN to see that the flame continues to wrap around the burner. Blow out the flame, or use a quick fan motion from a writing tablet or piece of cardboard to extinguish the flame. Observe the burner's ability to reignite and wrap around (also called "carry-over") the burner within several seconds. This flame "carry-over" is essential for proper burner ignition and reignition.
- 4) If the flame performance is not acceptable it may be necessary to readjust the valve screw (fig. 2 and 3 on page 34) for a burner that does not have sufficient carry-over of the flame.

STEP 3

WARNING

Before proceeding with the adjustment, SHUT OFF THE GAS SUPPLY TO THE APPLIANCE PRIOR TO DISCONNECTING THE ELECTRICAL POWER.

If the information in this manual is not followed exactly, fire or shock may result causing property damage or personal injury.

Screwdriver for valve screw setting:

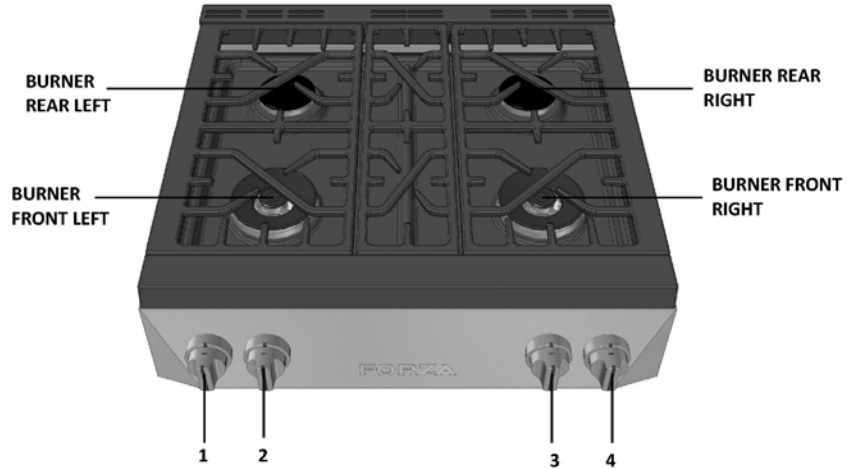
A flat-head screwdriver is used to reposition the valve screws for minimum flow settings on the knobs.

Setting valve screws on ranges:

- 1) SHUT OFF THE GAS SUPPLY TO THE APPLIANCE AND DISCONNECT THE ELECTRICAL POWER.
- 2) Remove knob from the valve stem by slowly pulling knob straight out, away from the control panel.
- 3) For Natural Gas ranges, note the original position of the slot in the valve screw. This can be done by engaging the screwdriver's blade in the screw slot and marking the screwdriver's handle to indicate the starting position of the valve screw. With the screwdriver still engaged, carefully rotate the valve screw counter-clockwise (CCW) 1/4 turn (or 90 degrees) from its original position. Repeat this procedure to adjust the setting for each valve screw. For LP Gas ranges or an appliance that has been converted to LP Gas, adjustment is rarely necessary.
- 4) Turn on the gas and electrical power to the appliance. Reevaluate the flames. Repeat Steps 1 through 3 if further adjustment is necessary.

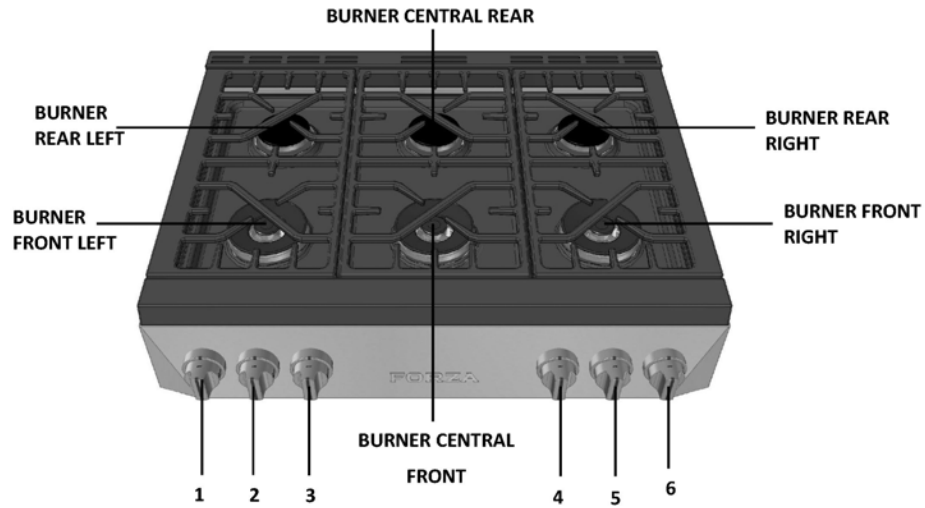
Technical Data

30" Cooktop Features



KNOB	COOKTOP BURNER 30" MODEL	BURNER OUTPUT RATINGS: BTU/HR NG (Natural Gas), 5" W.C.P.	BURNER OUTPUT RATINGS: BTU/HR LP (Propane) Gas, 10" W.C.P.
1	Burner Rear Left	12,000 btu/h	12,000 btu/h
2	Burner Front Left	20,000 btu/h	20,000 btu/h
3	Burner Front Right	20,000 btu/h	20,000 btu/h
4	Burner Rear Right	12,000 btu/h	12,000 btu/h

36" Cooktop Features



KNOB	COOKTOP BURNER 36" MODEL	BURNER OUTPUT RATINGS: BTU/HR NG (Natural Gas), 5" W.C.P.	BURNER OUTPUT RATINGS: BTU/HR LP (Propane) Gas, 10" W.C.P.
1	Burner Rear Left	12,000 btu/h	12,000 btu/h
2	Burner Front Left	20,000 btu/h	20,000 btu/h
3	Burner Central Front	20,000 btu/h	20,000 btu/h
4	Burner Central Rear	12,000 btu/h	12,000 btu/h
5	Burner Front Right	20,000 btu/h	20,000 btu/h
6	Burner Rear Right	12,000 btu/h	12,000 btu/h

Installer Checklist

- Specified clearances maintained to cabinet surfaces.
- Unit Level – front to back – side to side.
- Burner caps positioned properly on burner bases.
- All packaging material removed.
- A Flush Island Trim attached according to instructions.
- Verify flame at each burner. Flame may need to burn for several minutes to remove impurities from the gas lines.
- Verify that the Min feature works and relights around the entire burner.

Gas Supply

- Connection: ½" N.P.T. with a minimum ¾" diameter flex line - suggested length four (4) ft., depending upon local codes.
- The appliance is connected only to the type of gas for which it is certified for use.
- Manual gas shut off valve installed in an accessible location (without requiring removal of range).
- Unit tested and free of gas leaks.
- If used on propane gas, verify that the propane gas supply is equipped with its own high pressure regulator in addition to the pressure regulator supplied with the appliance.
- Gas supply pressure does not exceed 14" W.C. (34.9 mb).

Operation

- Bezels centered on burner knobs, and knobs turn freely.
- Each burner lights satisfactorily, both individually and with other burners operating.
- Burner grates correctly positioned, level and do not rock.

Electrical

- Receptacle with correct over-current protection is provided for service cord connection.
- Proper ground connection.
- Proper polarity at receptacle.

INSTALLATION MANUEL

MODÈLES DE TABLE DE CUISSON

FRT304GN

FRT366GN

FORZA™

Félicitations pour votre achat récent chez Forza! Avant de commencer à utiliser votre nouveau produit Forza, veuillez prendre quelques instants pour examiner le Manuel d'Installation. Vous trouverez les réponses à toutes vos questions ainsi que des informations très importantes sur la sécurité. Prêter une attention particulière aux Instructions de Sécurité Importantes figurant au début du manuel. Votre produit Forza est prêt et attend d'être utilisé pour votre prochaine création gastronomique!

Sommaire

- 41** Instructions de Sécurité
- 44** Critères Requis de Ventilation
- 44** Préparation Armoire
- 51** Déballage, Assemblage et Déplacement de la Table de Cuisson
- 52** Déballage de la Table de Cuisson
- 54** Critères Gaz Requis
- 58** Critères Electriques Requis
- 60** Essayer les Brûleurs de la Table de Cuisson
- 61** Conversion de l'Appareil pour Utilisation avec Gaz LP
- 63** Conversion de l'Appareil pour Utilisation avec Gaz Naturel
- 66** Réglage Flamme Basse
- 69** Instruction Réglage Haute Altitude
- 71** Données Techniques
- 73** Liste de Contrôle Installateur

Cet appareil Forza est fièrement fabriquée en Modena, Italie
par GlemGas S.p.A, une entreprise familiale.

www.forzacucina.com

Instructions de Sécurité

Prêter attention à ces symboles présents dans ce manuel:



C'est le symbole d'alerte de sécurité.

Ce symbole vous avertit des dangers potentiels pouvant vous tuer ou vous blesser, ainsi que d'autres personnes.

Tous les messages de sécurité suivront le symbole d'alerte de sécurité et le mot «DANGER» ou «AVERTISSEMENT».

▲ DANGER

Vous pouvez être tué ou sérieusement blessé si vous ne suivez pas immédiatement les instructions.

▲ AVERTISSEMENT

Vous pouvez être tués ou blessés gravement si vous ne suivez pas les instructions.

Tous les messages de sécurité vous indiqueront le danger potentiel, vous indiqueront comment réduire les risques de blessure et vous indiqueront ce qui peut se produire si les instructions ne sont pas suivies.

IMPORTANT: Mémorisez ces instructions pour la consultation par l'inspecteur électrique local.

INSTALLATEUR: S'il vous plaît laissez ce manuel avec le propriétaire pour référence future. Laissez ces instructions avec l'appareil.

PROPRIÉTAIRE: S'il vous plaît gardez ce manuel pour référence future.



IMPORTANT: Avertissement spécial - Veuillez lire toutes les instructions avant d'utiliser cet appareil, car l'installation appropriée est de la responsabilité du propriétaire. Faites appel à un technicien qualifié pour installer cette cuisinière.



IMPORTANT:

- **Respectez tous les codes et ordonnances en vigueur.**
- **Notez les numéros de modèle et de série avant d'installer la cuisinière. Les deux numéros figurent sur la plaque signalétique, située sous ou derrière le produit.**

⚠ AVERTISSEMENT

Si les informations contenues dans ce manuel ne sont pas suivies exactement, un incendie ou une explosion pourraient entraîner des dommages matériels, des blessures ou la mort.

Ne pas stocker ni utiliser d'essence ou d'autres vapeurs et liquides inflammables à proximité de cet appareil ou tout autre appareil.

Que faire si vous sentez une odeur de gaz.

- **N'essayez d'allumer aucun appareil.**
- **Ne touchez aucun interrupteur électrique.**
- **N'utilisez aucun téléphone dans votre immeuble.**
- **Appelez immédiatement votre fournisseur de gaz en utilisant le téléphone d'un voisin. Suivez les instructions du fournisseur de gaz.**
- **Si vous ne pouvez pas joindre votre fournisseur de gaz, appelez les pompiers.**

L'installation et l'entretien doivent être effectués par un installateur qualifié, une agence de service ou le fournisseur de gaz.

Avant de commencer l'installation:

- Vérifiez l'emplacement où la cuisinière sera installée. L'emplacement doit être éloigné des courants d'air, tels que les fenêtres, les portes et les bouches d'aération ou ventilation puissantes.
- Assurez-vous que la mise à la terre électrique est facilement disponible car elle est requise pour une installation correcte.
- Assurez-vous que l'installation électrique est adéquate et conforme au National Electrical Code, ANSI / NFPA 70 - dernière édition **, ou au Canadian Electrical Code, partie 1 C22.1 (dernière édition) *** et à tous les codes et ordonnances locaux.
- Assurez-vous que le raccordement au gaz est conforme aux codes et aux ordonnances locaux. En l'absence de codes locaux, les installations doivent être conformes aux normes American National Standard, National Fuel Gas Code ANSI Z223 / NFPA 54 - dernière édition ** Canadian CAN / CGA_B 149.1 ou la dernière édition CAN / CGA-149.2. **

Copies des normes énumérées peuvent être obtenus auprès de:

** National Fire Protection Association One Batterymarch Park Quincy, Massachusetts 02269

*** CSA International 8501 East Pleasant Valley Rd. Cleveland, OH 44131-5575

Examinez l'appareil après l'avoir déballé. En cas de dommage dû au transport, ne le branchez pas.

Retirez tout le ruban adhésif et l'emballage avant d'utiliser l'appareil. Détruisez l'emballage après l'installation. Ne laissez jamais les enfants jouer avec les matériaux d'emballage.

POUR LES INSTALLATIONS AU MASSACHUSETTS:

- 1. L'installation doit être effectuée par un entrepreneur qualifié ou autorisé, un plombier ou un installateur de gaz qualifié ou agréé par l'État, la province ou la région où cet appareil est installé.**
- 2. La vanne d'arrêt doit être un robinet à gaz avec poignée en «T».**
- 3. Le connecteur de gaz flexible ne doit pas être plus long que 36 "(914mm).**

REMARQUE: Cette cuisinière n'est PAS conçue pour être installée dans des maisons préfabriquées (mobiles) ou des remorques de parcs de loisirs.

Installation dans Maison Mobile

L'installation de ces appareils doit être conforme aux Normes fédérales de construction et de sécurité en matière de maisons préfabriquées, titre 24 CFR, partie 3280 (titre 24 HUD, titre 24, partie 280); ou, lorsqu'une telle norme n'est pas applicable, la norme pour les installations domestiques préfabriquées (sites de maisons préfabriquées, communautés et configurations), ANSI A225.1 - dernière édition, ou avec les codes locaux.



IMPORTANT: VÉRIFICATION TYPE GAZ

Avant de connecter l'appareil à la conduite d'alimentation du gaz, assurez-vous que le réglage du gaz est approprié. Le type de gaz ajusté et expédié de l'usine est indiqué sur la plaque signalétique.

⚠ AVERTISSEMENT

Lors du raccordement de l'appareil au gaz propane, assurez-vous que le réservoir de propane est équipé de son propre régulateur de haute pression en plus du régulateur de pression fourni avec la cuisinière. La pression de gaz maximale dans cet appareil ne doit pas dépasser 14,0 po de colonne d'eau (34,9 mb) entre le réservoir de gaz propane et le régulateur de pression.



ATTENTION: Ces cuisinières pèsent jusqu'à 400 livres. Certains démontages réduiront considérablement le poids. En raison du poids et de la taille de la cuisinière et afin de réduire les risques de blessure personnelle ou de détérioration du produit:

DEUX PERSONNES SONT NÉCESSAIRES POUR UNE INSTALLATION APPROPRIÉE.

Critères de Ventilation Requis

Combinaisons de Hotte Aspirante:

Il est recommandé d'installer ces cuisinières avec une hotte de ventilation à propos développée en hauteur.

En raison de la capacité calorifique élevée de cet appareil, une attention particulière doit être accordée à l'installation de la hotte et des conduits pour garantir sa conformité aux codes du bâtiment locaux..



AVERTISSEMENT: Les rideaux d'air ou autres hottes suspendues fonctionnant en soufflant un flux d'air descendant dans une table de cuisson ne doivent pas être utilisés avec des cuisinières à table de cuisson à gaz autres que lorsque la hotte et la table de cuisson ont été conçues, testées et certifiées par un laboratoire d'essais indépendant pour une utilisation en combinaison les uns avec les autres.

Les dégagements par rapport aux surfaces horizontales au-dessus de la cuisinière, mesurés par rapport à la surface de cuisson, sont inférieurs. Le non-respect de cette consigne peut entraîner un risque d'incendie.

- Les installations sans hotte nécessitent 30" minimum pour les matériaux combustibles;
- Une installation de hotte personnalisée avec des surfaces combustibles horizontales exposées doit comporter une fonction d'activation automatique;
- Pour d'autres installations avec une hotte, reportez-vous aux instructions d'installation de la hotte pour les dégagements spécifiques de la hotte.

Préparation Armoire



REMARQUE IMPORTANTE: Lors de l'installation contre une surface combustible, une colonne montante minimale est requise pour la table de cuisson. Respectez tous les dégagements minimaux par rapport aux surfaces combustibles indiquées dans l'illustration des pages précédentes. La table de cuisson est une unité autonome. Si l'unité doit être placée à côté des armoires, les dégagements illustrés à la figure 1 sont nécessaires. Les mêmes dégagements s'appliquent aux installations en îlot, à l'exception des armoires suspendues, qui doivent disposer d'un espace suffisamment large pour accueillir la hotte à îlot brûleur.

- Toute ouverture dans le mur derrière la cuisinière et dans le sol sous la cuisinière doit être scellée.
- Lors de l'utilisation de la hotte à îlot, il est recommandé de prévoir un dégagement arrière minimal de 305 mm (12 po) par rapport à une surface combustible (voir la figure 2 à la page 10, Dégagements de l'armoire). Les dégagements des matériaux non combustibles ne font pas partie du but de la norme ANSI Z21.1. Les dégagements inférieurs à 305 mm (12 po) doivent être approuvés par les codes locaux et / ou par les autorités locales compétentes.
- Lorsque la cuisinière est installée contre un mur latéral combustible, un dégagement minimum de 203 mm (8 po) est nécessaire du côté de la cuisinière au mur.
- Maintenez toujours la zone de l'appareil à l'écart des matériaux combustibles, de l'essence et des autres vapeurs et liquides inflammables. La profondeur maximale des armoires suspendues installés de chaque côté de la hotte est de 13 po (330 mm).
- Ne pas obstruer le flux d'air de combustion et de ventilation dans l'appareil.

Un dégagement minimum de 48 po (1220 mm) est requis entre le haut de la surface de cuisson et le bas d'un meuble non protégé.

Un dégagement minimum de 48 pouces est requis entre le haut de la surface de cuisson et le bas d'un d'un meuble non protégé. Il est possible de prévoir un dégagement de 30 pouces lorsque le bas d'un meuble en bois ou en métal est protégé par une plaque en acier de minimum 28MSG, en acier inoxydable d'une épaisseur de 0,015 pouce (0,4 mm), en aluminium d'une épaisseur de 0,024 pouce (0,6 mm), ou en cuivre d'une épaisseur de 0,020 pouce (0,55 mm).

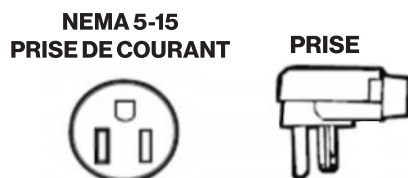
Les matériaux ignifuges portent le marquage :

UNDERWRITERS LABORATORIES INC. CARACTÉRISTIQUES DE SURFACE DES PANNEAUX EN FIBRES MINÉRALES CLASSIFIÉES

Suivi des indices de propagation de flamme et de fumée. Ces désignations sont indiquées comme ceci : "FHC (Propagation de la flamme/Dégagement des fumées)". Les matériaux portant un indice de propagation de flamme "O" sont ignifuges. Les réglementations locales peuvent autoriser d'autres indices de propagation de la flamme.

Alimentation Electrique

Le câble fourni avec les cuisinières à gaz comportant une plaque chauffante électrique nécessite une prise NEMA 5-15.

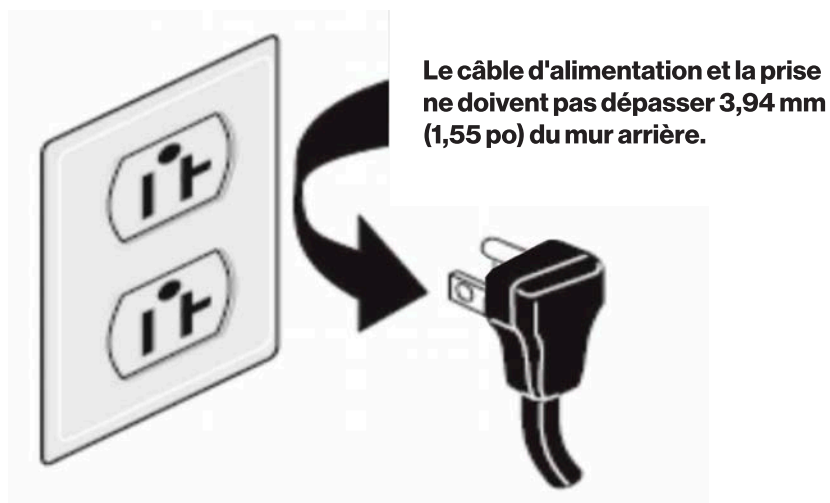


Lorsque le câble d'alimentation est connecté à la prise correspondante, la connexion combinée prise / prise de courant ne doit pas dépasser 39,4 mm (1,55 po) de la paroi arrière.

⚠ AVERTISSEMENT

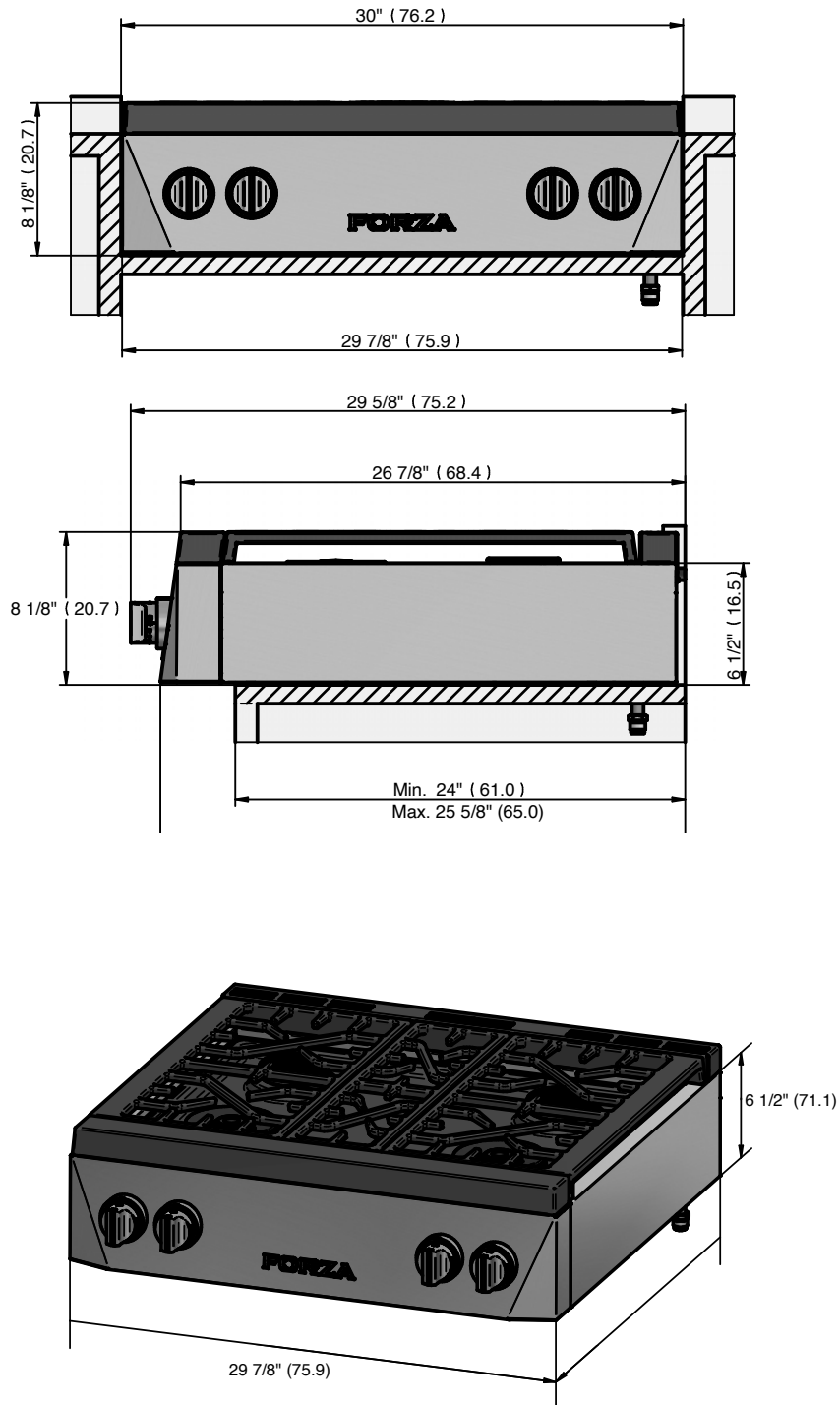
Ce produit doit être correctement mis à la terre.

REMARQUE: Le type de prises peut varier.



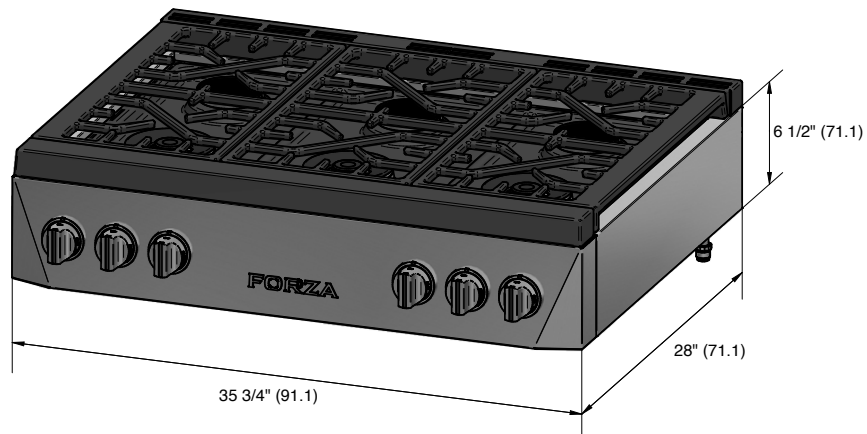
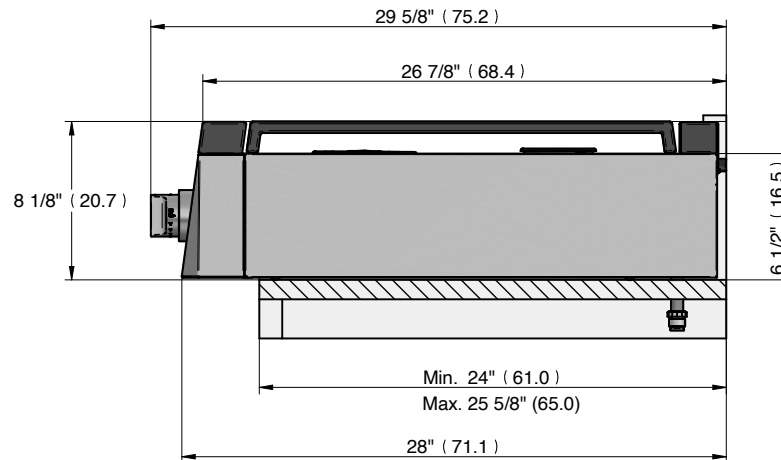
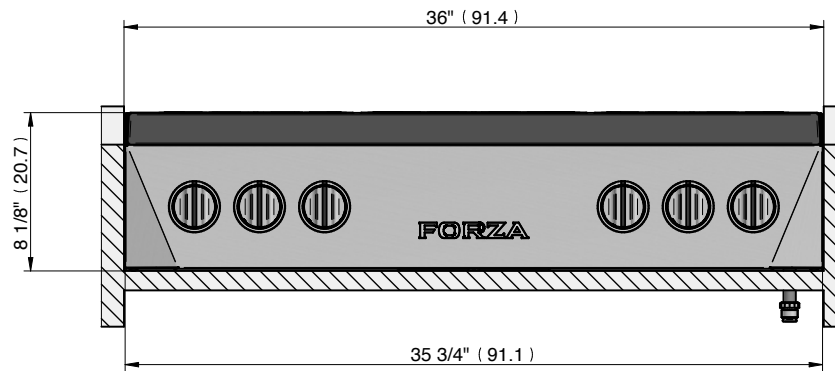
Product Dimensions

Modèle 30" table de cuisson



Product Dimensions

Modèle 36" table de cuisson



Cutout Requirements

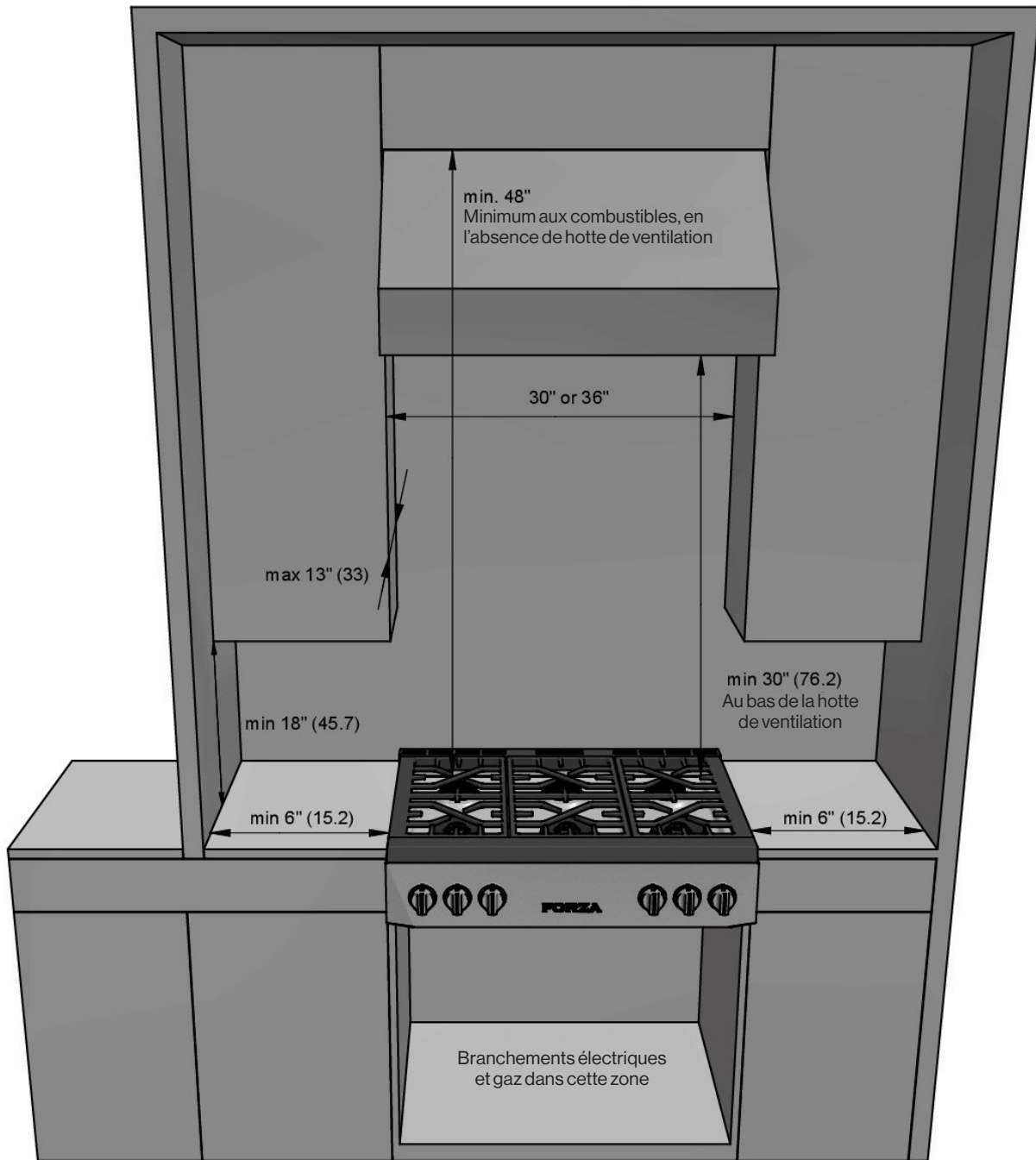


Figure 1

Pour éviter tout risque de brûlure ou d'incendie en atteignant les unités de surface chauffées, évitez les espaces de rangement situés au-dessus des unités de surface. Si le stockage des armoires doit être fourni, le risque peut être réduit en installant une hotte de cuisinière qui fait saillie horizontalement à au moins 2,5 cm du fond des armoires. Toutes les ouvertures dans le mur ou le sol où la cuisinière doit être installée doivent être scellées.

Installation avec cloison, type 1 (vue en perspective)

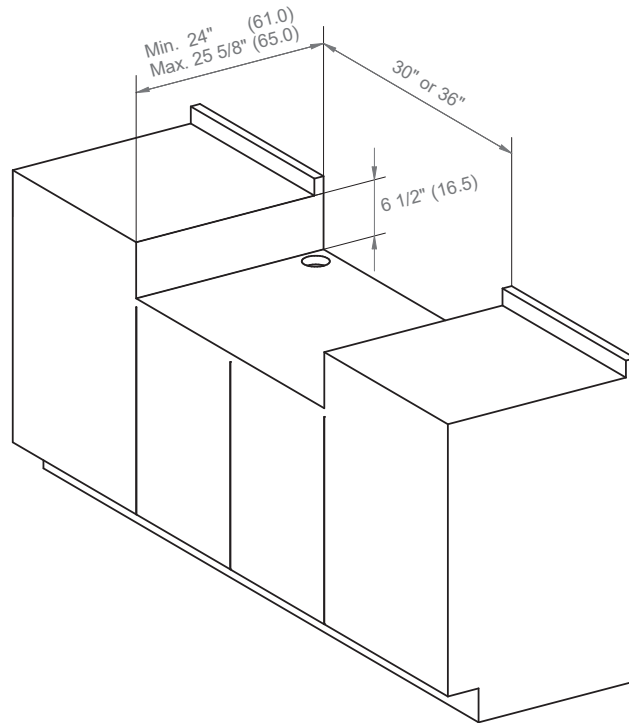


Figure 2

Installation avec cloison, type 1 (vue en plan)

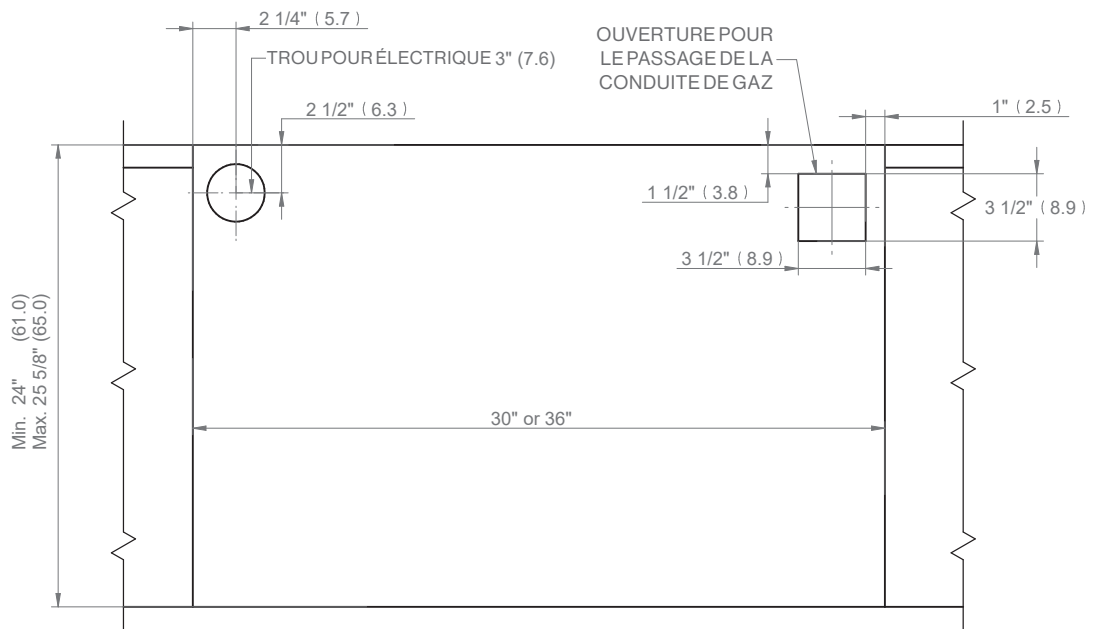


Figure 3

Installation avec cloison, type 2 (vue en perspective)

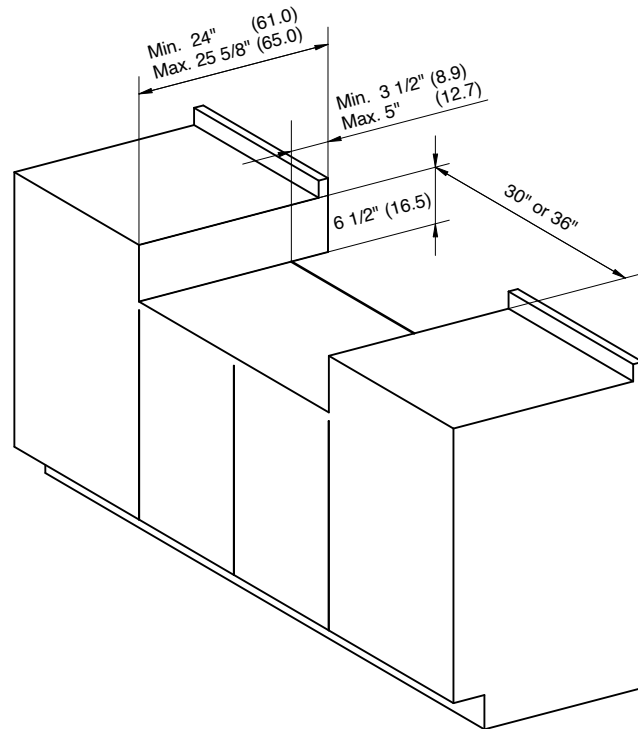


Figure 4

Installation avec cloison, type 2 (vue en plan)

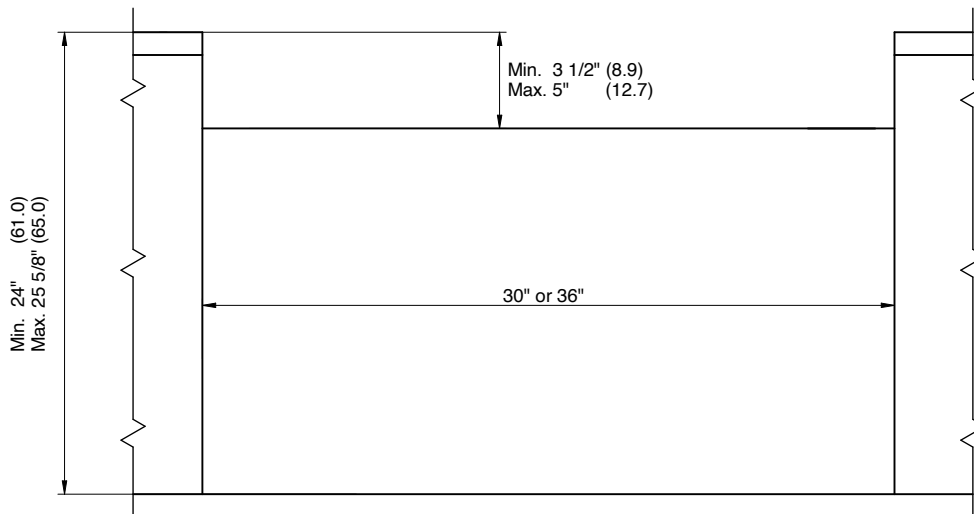


Figure 5

Choisir l'Emplacement de la Cuisinière

Sélectionner soigneusement l'emplacement où la cuisinière sera installée. La cuisinière doit être située pour une utilisation pratique dans la cuisine, mais à l'abri des courants d'air forts.

Les courants d'air forts peuvent être causés par des portes ou des fenêtres ouvertes, ou par des bouches de chauffage et / ou de climatisation ou des ventilateurs.

Déballage, Assemblage et Déplacement de la Table de Cuisson

AVERTISSEMENT

NE PAS soulever l'appareil par le panneau de contrôle de la cuisinière. L'unité est lourde et doit être manipulée en conséquence. Pour déplacer la cuisinière, vous devez utiliser un équipement de sécurité approprié, tel que des gants et un personnel suffisant d'au moins deux personnes, afin d'éviter toute blessure et d'endommager l'appareil ou le sol.

Les bagues, les montres et tout autre article détaché susceptible d'endommager l'appareil ou de devenir autrement enchevêtré avec l'appareil doivent être enlevé. Les surfaces cachées peuvent avoir des arêtes vives. Soyez prudent lorsque vous touchez derrière ou sous l'appareil.

NE PAS utiliser un chariot de manutention ou un chariot à l'arrière ou à l'avant de l'appareil. Le manipuler du côté seulement.

AVERTISSEMENT

TENIR HORS DE PORTÉE DES ENFANTS. LE FILM FIN POURRAIT ADHÉRER AU NEZ ET AUX LÈVRES ET COUPER LA RESPIRATION.

Pour éviter tout danger de suffocation, tenir les sachets de plastique hors de portée des bébés et des enfants. Ne pas utiliser ce sachet dans les berceaux, les lits d'enfants, les véhicules de transport ou les parcs pour bébé. Ce sachet n'est pas un jeu.

Danger de Coupe

Attention aux arêtes vives. Utiliser les extrémités en polystyrène lorsque vous transportez le produit. Ne pas faire preuve de prudence peut entraîner des blessures légères ou des coupures.

Avant de déplacer la cuisinière, protégez le sol fini et fermez la ou les portes du four pour éviter tout endommagement.

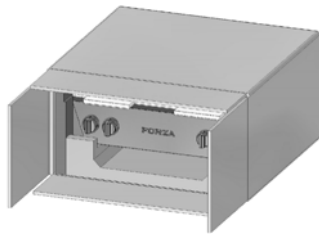
Enlever les matériaux d'emballage et de documentation du four avant de commencer l'installation.

Enlever les Instructions d'Installation de la documentation et les lire attentivement avant de commencer.

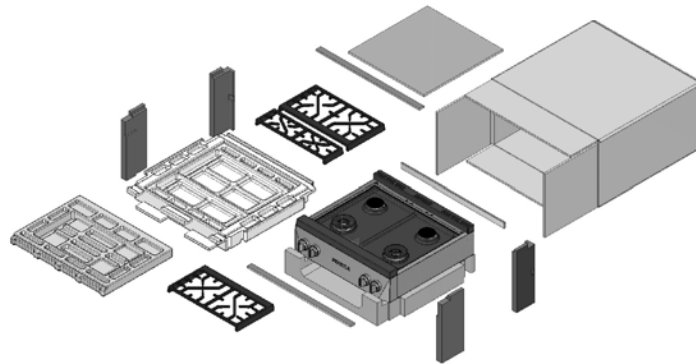
Déballage de la Table de Cuisson

- 1) Enlever l'emballage externe et les matériaux d'emballage, mais laisser la couche de mousse à endos adhésif sur les sur faces en métal brossé, afin de protéger la finition des égratignures jusqu'à ce que la cuisinière soit installée dans sa position finale.

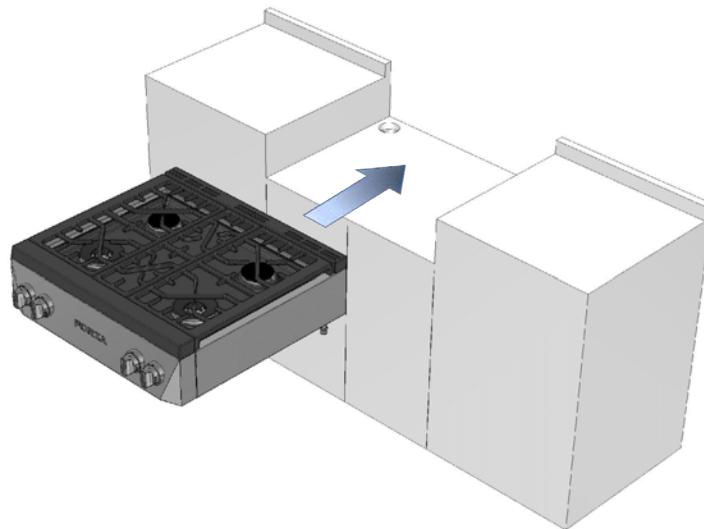
 **ATTENTION: Tenir à l'écart. Les extrémités des bande de découpage peuvent se coincer vers vous.**




- 2) Il est recommandé d'enlever les grilles, la plaque de cuisson, les chapeaux des brûleurs et les grilles du four pour faciliter la manipulation.



- 3) Faites glisser le table de cuisson en place.



 **ATTENTION: Les portes et les passages menant au lieu d'installation nécessitent une ouverture d'au moins 31". Si l'ouverture est inférieure à 31", la / les porte (s) du four et les pommeaux de commande doivent être retirés. (Voir le manuel d'utilisation et d'entretien pour les instructions d'enlèvement de la porte du four).**

Déplacer la cuisinière

En raison de son poids, un chariot avec des roues souples ou un ascenseur pneumatique devrait être utilisé pour déplacer cette unité. Le poids doit être supporté uniformément par le bas.

	TABLE DE CUISSON 30"	TABLE DE CUISSON 36"
Poids d'Expédition	88 lvr (40Kg)	108 lvr (49Kg)
Poids sans matériaux d'emballage	84 lvr (38Kg)	104 lvr (47Kg)

Critères Requis Gaz

L'OPÉRATEUR DU SERVICE QUALIFIÉ OU L'INSTALLATEUR DE L'APPAREIL À GAZ DOIVENT RÉALISER LA CONNEXION À L'ALIMENTATION DU GAZ.

Haute Altitude

Pour des altitudes supérieures à 2.000 pieds (610 m) au-dessus du niveau de la mer, des ajustements peuvent être effectués à l'aide des instructions du manuel. Si la performance de la flamme est satisfaisante, la réglementation ne sera pas requise. Il est nécessaire qu'un professionnel certifié effectue les réglages en haute altitude lors de l'installation.

AVERTISSEMENT

La conduite du gaz ne doit entrer en contact avec aucun composant à l'intérieur de la couverture arrière de la cuisinière.

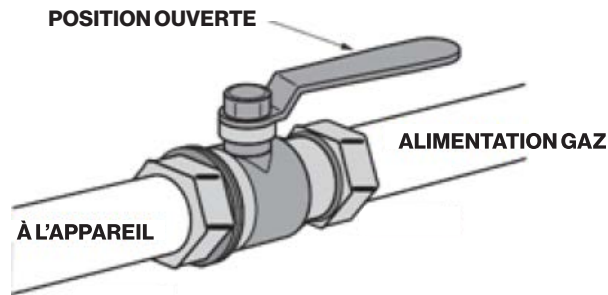
AVERTISSEMENT

Si la pression qui alimente le régulateur de pression de l'appareil dépasse 14 pouces de colonne d'eau (tout gaz), un régulateur externe doit être installé dans la conduite de gaz devant le régulateur de l'appareil pour réduire la pression à 14 pouces de la colonne d'eau. Sinon, cela pourrait entraîner un dysfonctionnement et endommager l'appareil.

AVERTISSEMENT

L'appareil doit être isolé de la tuyauterie d'alimentation en gaz en fermant sa valve d'arrêt manuel individuelle lors de tout test de pression du système de tuyauterie d'alimentation en gaz à des pressions d'essai supérieures, égales ou inférieures à 3,5 psa (½ psig) et les dommages causés à l'appareil.

Connexion du Gaz



Une vanne d'arrêt manuel du gaz doit être installée à l'extérieur de l'appareil, dans un endroit accessible de l'avant, afin de couper l'alimentation en gaz. La ligne d'alimentation ne doit pas interférer avec l'arrière de l'appareil. Assurez-vous que l'alimentation en gaz est coupée à la vanne d'arrêt manuel avant de brancher l'appareil. Utilisez une conduite flexible (48 pi max - 1219 mm) de 19 mm ($\frac{3}{4}$ ") pour raccorder l'alimentation en gaz à l'entrée de gaz de l'appareil.

Le régulateur de pression de gaz est fourni et déjà installé avec cet appareil. La tuyauterie d'alimentation, sauf indication contraire, devrait utiliser un filetage National Pipe Thread (N.P.T.) commun.

Le raccord d'alimentation en gaz de l'appareil est NPT 12,7 mm (1/2").

Pour tous les raccords de tuyauterie, utiliser un composé pour joint de tuyauterie approuvé, résistant à l'action du gaz LP.

Veillez à ne pas appliquer une pression excessive lors du serrage des raccords.



IMPORTANT: Ne réutilisez jamais les vieux connecteurs lors de l'installation de cette cuisinière.

Pour réduire les risques de fuites de gaz, appliquez sur tous les raccords filetés du ruban de téflon ou un composé de filetage approuvé pour une utilisation avec les gaz LP ou les gaz naturels.

Appliquez un fluide de détection de fuite non corrosif sur tous les joints et raccords de la connexion de gaz entre la vanne d'arrêt de la conduite d'alimentation et l'entrée de la table de cuisson.

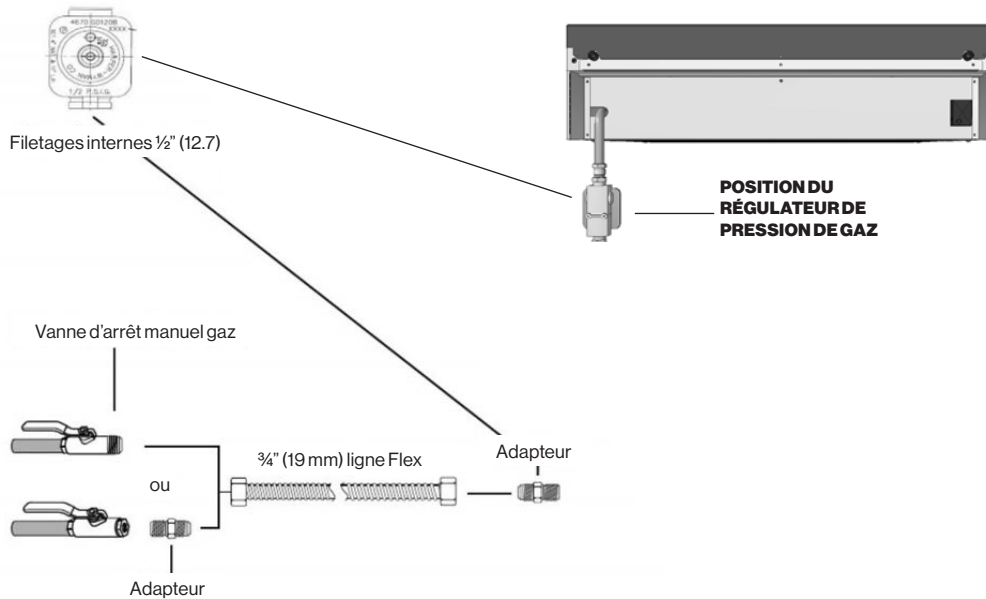
Vérifiez les fuites!

Des bulles apparaissant autour des raccords et des connexions indiqueront une fuite. En cas de fuite, fermez la vanne d'arrêt du gaz de la conduite d'alimentation, resserrez les connexions, ouvrez la vanne d'arrêt du gaz de la conduite d'alimentation et effectuez un nouvel essai de fuite. Ne recherchez jamais les fuites de gaz avec une flamme nue.

NE SERREZ JAMAIS À PLUS DE 35 lvr-pi de couple.



ATTENTION: N'essayez pas de connecter le connecteur flexible directement à un filetage de tuyau externe. La connexion nécessite des adaptateurs de connexion brûleur.



POUR LES MÉTHODES DE TUYAUTERIE ALTERNATIVE PERMETTANT DE RACCORDER L'APPAREIL À L'ALIMENTATION À GAZ, UN TECHNICIEN DE SERVICE FORMÉ OU UN INSTALLATEUR D'UN APPAREIL À GAZ DOIT ÉTABLIR LA CONNEXION DE L'ALIMENTATION À GAZ.

L'essai d'étanchéité de l'appareil doit être effectué par l'installateur conformément aux instructions données.

Pour les Installations au Massachusetts:

1. La vanne d'arrêt doit être une soupape à gaz avec poignée en «T».
2. Le connecteur de gaz flexible ne doit pas être plus long que 36" pouces.
3. Non approuvé pour l'installation dans une chambre ou une salle de bain sauf si l'unité est à ventilation directe.

Cet appareil est conçu pour être utilisé avec du gaz naturel ou du gaz de pétrole liquéfié. Le régulateur de pression de gaz est fourni avec cet appareil. Il doit être installé dans la ligne du gaz devant l'entrée du collecteur. Il pourrait être pré-réglé pour une utilisation avec le gaz naturel. Vérifiez la plaque signalétique.

Pour l'utiliser avec différents gaz, il faut le convertir, comme décrit dans le paragraphe Conversion de Gaz.

Si, à un moment quelconque, l'appareil doit être utilisé avec un type de gaz différent, tous les réglages de conversion doivent être effectués par un technicien qualifié avant toute tentative d'utilisation de la cuisinière avec ce gaz.

CRITÈRES REQUIS GAZ	
Gaz Naturel	WC
Pression Alimentation	4" (10 mbar)
Min. Pression Ligne	5" (12.5 mbar)
Max. Pression Ligne	14" (34.9 mbar), .5 psi (3.5 kPa)

CRITÈRES REQUIS GAZ	
Gaz PL	C.E.
Pression Alimentation	11" (27 mbar)
Min. Pression Ligne	12" (27.4 mbar)
Max. Pression Ligne	14" (34.9 mbar), .5 psi (3.5 kPa)

Essai Pression

L'appareil doit être isolé du système de tuyauterie d'alimentation en gaz en fermant sa vanne d'arrêt manuel individuel lors de tout essai de pression du système de tuyauterie d'alimentation en gaz à des pressions d'essai égales ou inférieures à 1/2 PSIG (3,5 kPa)..

Cet appareil, ainsi que sa vanne d'arrêt individuel, doit être débranché du système de tuyauterie d'alimentation en gaz lors de tout essai de pression du système à des pressions d'essai supérieures à 1/2 PSIG (3,5 kPa),).

Lors du contrôle du fonctionnement du régulateur de l'appareil, assurez-vous que la pression d'alimentation en gaz naturel est comprise entre 6 et 14 pouces de colonne d'eau ou, si converti pour le gaz LP, entre 11 et 14 pouces.

Critères Requis Electriques

Cet appareil doit être alimenté avec la tension et fréquence appropriées et raccordé à un circuit de dérivation individuel correctement mis à la terre, protégé par un disjoncteur ou un fusible de type A, tel qu'indiqué sur la plaque signalétique. Nous vous recommandons de faire raccorder le câblage électrique et le branchement de votre appareil à un électricien qualifié.

Après l'installation, demandez à l'électricien de vous indiquer où se trouve le débranchement de votre appareil principal. Vérifiez auprès de vos services publics locaux les codes électriques en vigueur dans votre région. Si vous ne câblez pas votre table de cuisson conformément aux codes en vigueur, cela pourrait entraîner des conditions dangereuses.

S'il n'y a pas de codes, votre appareil doit être câblé et fusionné pour répondre aux exigences du National Electrical Code, ANSI / NFPA N ° 70 - Dernière édition. Vous pouvez en obtenir une copie en écrivant à:

**National Fire Protection
Association Battery march Park
Quincy, MA 02269**

TYPE MODÈLE	VOLTAGE	ÉTALONNAGE CIRCUIT	FRÉQUENCE	PHASE
Table de Cuisson 30'	120 VAC	0,005 Amps	60 Hz	Singulier
Table de Cuisson 36'	120 VAC	0,005 Amps	60 Hz	Singulier

⚠ AVERTISSEMENT

Une alimentation électrique de 120 VCA inadéquate peut provoquer un dysfonctionnement, endommager cet appareil et éventuellement créer un risque d'électrocution.

Avant de brancher un câble électrique, assurez-vous que toutes les commandes sont en position OFF.

Une alimentation et une prise électriques adéquates doivent être utilisées pour faire fonctionner les parties électriques de votre appareil.



AVERTISSEMENT: Instructions de mise à la terre électrique Branchez-le sur une prise à 3 trous reliée à la terre. Ne pas enlever la broche de mise à la terre. Ne pas utiliser un adaptateur. Ne pas utiliser une rallonge. Si ces précautions ne sont pas respectées, cela peut entraîner la mort, un incendie ou un choc électrique.

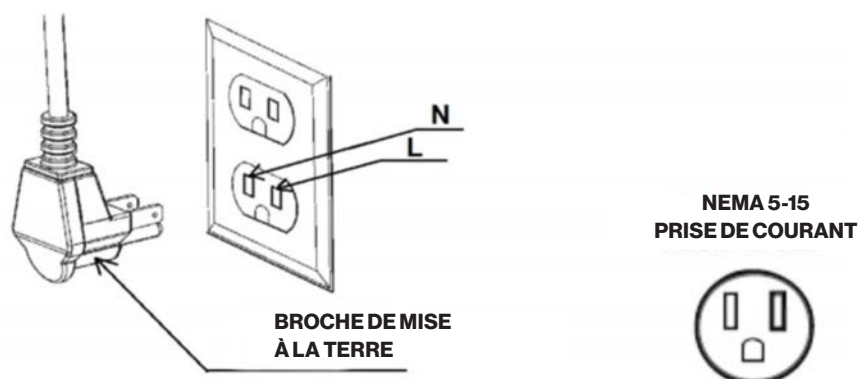


IMPORTANT: Pour votre sécurité personnelle, cet appareil doit être correctement mis à la terre.

Le câble d'alimentation de cet appareil est équipé d'une fiche à 3 broches (mise à la terre) qui doit être utilisée avec une prise à 3 trous correctement mise à la terre avec un courant domestique alternatif standard de 120 volts à 60 cycles. Si vous ne possédez pas de prise à 3 trous avec mise à la terre, faites changer la vieille par un électricien qualifié. Un adaptateur de mise à la terre sera nécessaire pour convertir la vieille jusqu'à ce que la prise puisse être remplacée. Cette méthode n'est que temporaire et un électricien qualifié doit la tester pour s'assurer qu'elle répond aux exigences.

En aucun cas, ne coupez ou ne retirez la broche de mise à la terre du câble de l'appareil.

Branchez le câble d'alimentation



⚠ AVERTISSEMENT

- Si le tuyau d'eau froide est interrompu par des joints en plastique non métalliques, connexions d'union ou autres matériaux isolants, **NE PAS** utiliser pour la mise à la terre.
- **NE PAS** mettre à la terre un tuyau de gaz.
- **NE PAS** utiliser les fusibles dans le circuit **NEUTRE** ou de **MISE À LA TERRE**. Un fusible dans le circuit **NEUTRE** ou de **MISE À LA TERRE** pourrait provoquer un choc électrique.
- Si vous avez des doutes sur la mise à la terre de l'appareil, adressez-vous à un électricien qualifié.
- Le non-respect de ces instructions peut entraîner des blessures graves, voire mortelles.



ATTENTION: Ne pas réparer ou remplacer toute pièce de l'appareil à moins qu'il ne soit spécifiquement recommandé dans ce manuel. Toutes les autres réparations doivent être réalisées par un technicien qualifié. Cela peut réduire les risques de blessures et de dommages matériels. Ne jamais modifier ou altérer la construction de l'appareil en enlevant des panneaux, des couvre-fils, des vis ou toute autre pièce du produit.

Essayer les Brûleurs de la Cuisinière

Installez tous les composants desserrés, tels que les chapeaux des brûleurs et les grilles qui ont peut-être été enlevés plus tôt. Assurez-vous que les chapeaux de brûleur sont correctement insérés dans les bases du brûleur. Avant de tester le fonctionnement de l'appareil, vérifiez que l'unité et l'alimentation en gaz ont été minutieusement vérifiées et que l'unité a été connectée à l'alimentation électrique. Tourner la vanne manuelle du gaz dans la position ouverte.

Essayer l'ignition du Brûleur

Choisir un pommeau du brûleur de la cuisinière. L'appuyer et le tourner dans le sens contraire aux aiguilles d'une montre dans la position HI. Le module allumeur / étincelle produira un clic. Une fois que l'air a été purgé des conduites d'alimentation, le brûleur devrait s'allumer dans les quatre (4) secondes.

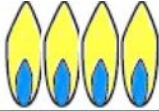


Flamme d'Essai: Réglage Haut

Tourner le brûleur dans la position haut. Voir la figure pour les caractéristiques de flamme appropriées. Si l'un des brûleurs de la table de cuisson continue à brûler en grande partie ou tout à fait en jaune, vérifiez que le capuchon du brûleur est correctement positionné sur la base du brûleur, puis testez à nouveau. Si les caractéristiques de la flamme ne s'améliorent pas, appelez Forza.

Flamme d'Essai: Réglage Bas

Tourner le brûleur dans la position bas. Vérifiez que la flamme entoure complètement le brûleur. Il devrait y avoir une flamme à chaque orifice du brûleur et il ne devrait y avoir aucun intervalle d'air entre la flamme et le brûleur. Éventer chacune des flammes et laisser se rallumer pour vérifier le rallumage du brûleur. Si des brûleurs ne se rallument pas, appeler Forza.

Répétez les procédures d'essai d'allumage et de flamme décrites pour chaque brûleur supérieur.

Flammes Jaunes Un ajustement supplémentaire est nécessaire	
Bouts jaunes sur les cônes externes Normal pour Gaz PL	
Flammes bleues douces Normal pour Gaz Naturel	

Si la flamme est complètement ou presque jaune, vérifiez que le régulateur est réglé pour le combustible correct. Après le réglage, re-essayer.

Quelques stries orange sont normales lors de la première mise en service.

Laisser l'appareil fonctionner pendant 4-5 minutes et procéder à une nouvelle évaluation avant de procéder aux réglages.

Lorsque la flamme est correctement ajustée: Il devrait y avoir une flamme à chaque port du brûleur. Il ne doit y avoir aucun espace d'air entre la flamme et l'orifice du brûleur.

Appeler Forza si:

- 1) Aucun des brûleurs ne s'allume.
- 2) L'un des brûleurs continue à brûler en jaune.

Conversion de l'Appareil pour Utilisation avec Gaz LP

⚠ AVERTISSEMENT

La conversion doit être effectuée par un **SERVICE AUTORISÉ** (ou une autre agence qualifiée) conformément aux instructions du fabricant et à tous les codes et exigences de l'autorité compétente. Le non-respect des instructions peut entraîner des blessures graves ou un dommage matériel. L'agence qualifiée effectuant ce travail assume la responsabilité de cette conversion.

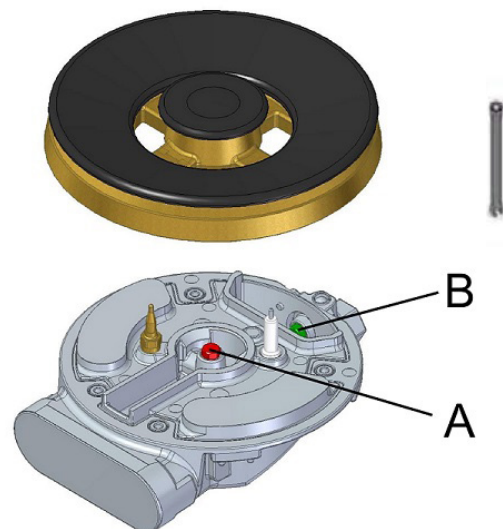


AVERTISSEMENT: L'électricité et le gaz doivent être éteints avant la conversion.

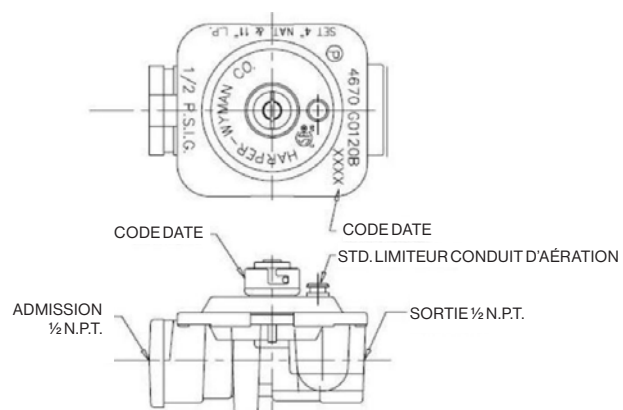
Si cet appareil doit être converti pour être utilisé avec du gaz LP (propane ou butane), chacune des modifications suivantes doit être effectuée:

Remplacer les injecteurs (brûleur à flamme à deux anneaux)

1. Enlever les grilles et les chapeaux de brûleur.
2. Enlever le diffuseur de gaz en laiton.
3. Enlever l'injecteur (A) à l'aide d'un tourne-écrou de 9-32" dans le sens contraire aux aiguilles d'une montre.
4. Enlever l'injecteur (B) à l'aide d'une clé à douille de 9-32" dans le sens contraire aux aiguilles d'une montre.
5. Installez les injecteurs fournis avec cet appareil dans le brûleur approprié. Les injecteurs portent de petits numéros gravés sur le côté. Ce numéro correspond au diamètre de l'orifice et à l'emplacement correct du brûleur (reportez-vous aux illustrations dans la section: «Position Injecteurs»).
6. Tourner dans le sens des aiguilles d'une montre pour serrer (serrer à un couple de 15 à 20 pouces-livres).
7. Remplacez toutes les pièces dans l'ordre inverse.
8. Conservez les injecteurs enlevés des appareils pour une utilisation ultérieure



Régleur Pression



Conversion de l'Appareil pour Utilisation avec Gaz Naturel

Si cet appareil devrait être converti pour être utilisé avec du gaz NG (gaz naturel), chacune des modifications suivantes doit être effectuées.

1. Convertissez le régulateur de pression en position NG conformément à la section «Conversion du régulateur de pression».
2. Remplacer tous les injecteurs en suivant les étapes décrites dans les pages précédentes, observer le numéro gravé sur le côté, ce numéro correspond au diamètre de l'orifice et à l'emplacement correct du brûleur (voir les illustrations dans la section: «Position Injecteurs»).
3. Réglez la flamme du brûleur (voir la section Réglage de la flamme basse). Vérifiez l'apparence de la flamme de chaque brûleur avec les réglages HI - LO. Si la flamme semble trop grande ou trop petite, assurez-vous que toutes les étapes ont été bien effectuées.

Conversion Régleur Pression

L'appareil est conçu pour être utilisé avec du gaz naturel ou du gaz de pétrole liquéfié. Le régulateur de pression de gaz est fourni. Il doit être installé dans la ligne d'alimentation du gaz devant l'entrée du collecteur.

Il est préréglé pour être utilisé avec le gaz comme indiqué sur l'étiquette de l'appareil fourni avec l'appareil. Pour une utilisation avec différents gaz, l'appareil doit être converti.

Pour la conversion du régulateur de pression, suivez les instructions ci-dessous:

- Débranchez toute alimentation électrique, au niveau du disjoncteur principal ou de la boîte à fusibles.
 - Fermez l'alimentation à gaz de la table de cuisson en fermant la vanne d'arrêt manuel.
 - Réglez le régulateur de pression en suivant les instructions. (voir figure pour la conversion du gaz naturel au gaz de pétrole liquéfié)
1. Dévissez le capuchon du régulateur. (figure2)
 2. Renverser et revisser le bouchon (du gaz naturel au gaz GPL, voir les figures 4, 5).
 3. Remplacez le capuchon du régulateur en vous assurant que le joint est en place (figures 6,7).



Fig.1

Fig.2

Fig.3



Fig.4

Fig.5

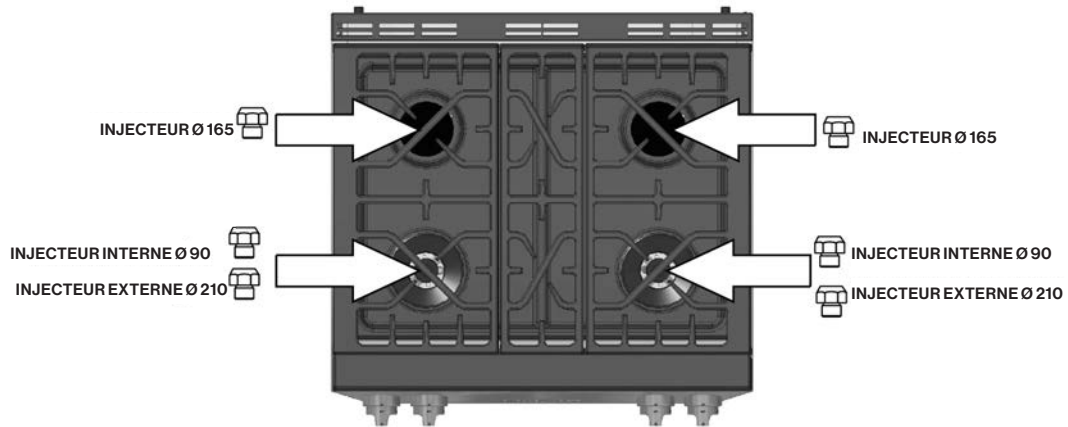


Fig. 6

Fig. 7

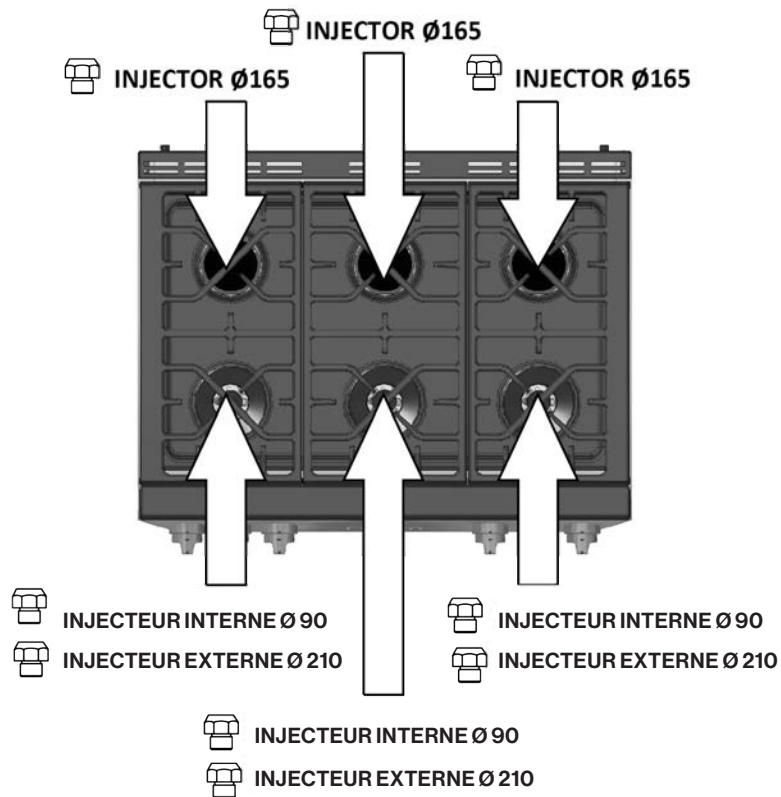
INJECTEURS POSITION GAZ NATUREL (NG)

Table de Cuisson 30"



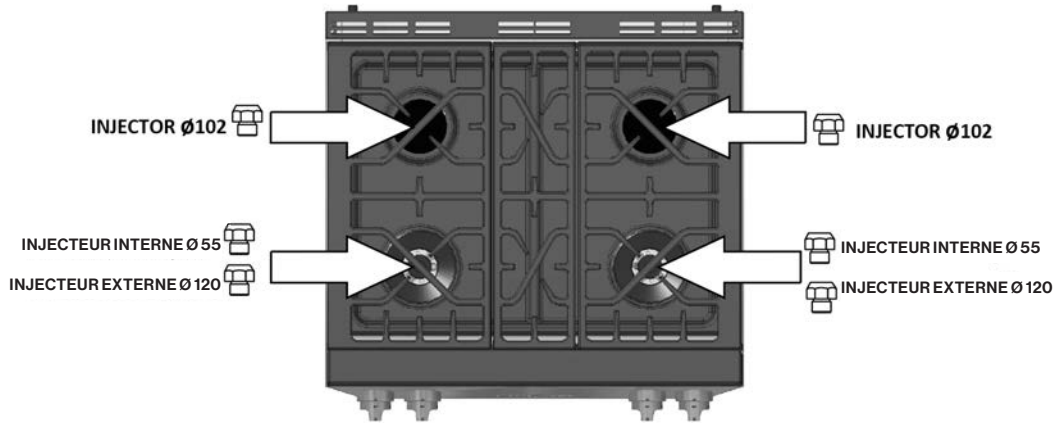
Veuillez noter que le double brûleur est équipé de deux injecteurs externes du même diamètre.

Table de Cuisson 36"



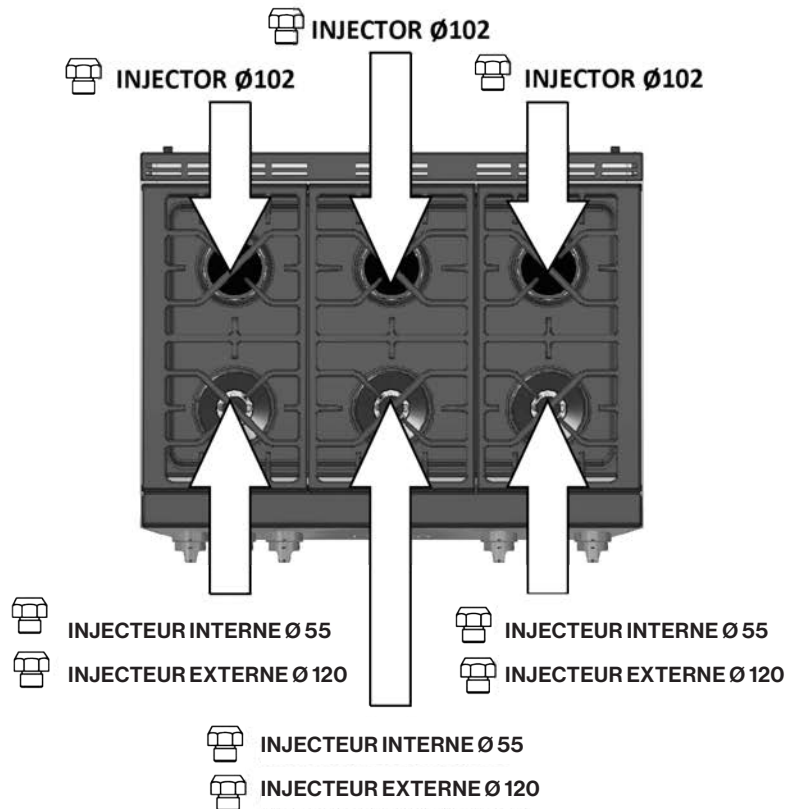
POSITION INJECTEURS GAZ PL

Table de Cuisson 30"



Veuillez noter que le double brûleur est équipé de deux injecteurs externes du même diamètre.

Table de Cuisson 36"



Réglage Flamme Basse

⚠ DANGER

Allumer des brûleurs à gaz avec une allumette est dangereux.

Vous ne devez allumer les brûleurs avec les allumettes qu'en cas d'urgence. Allumez une allumette et maintenez la flamme près du brûleur que vous souhaitez allumer. Les allumettes en bois fonctionnent le mieux.

Appuyez sur la pomme de commande et tournez-la lentement.

Assurez-vous de tourner le bouton correspondant au brûleur que vous êtes en train d'allumer.

REMARQUE: Si le brûleur ne s'allume pas dans les cinq secondes, éteignez le bouton et attendez une minute avant de réessayer.

⚠ ATTENTION

Si vous essayez de mesurer le cône intérieur de la flamme, soyez prudents. Des brûlures pourraient en résulter.

Cet appareil est expédié de l'usine avec les réglages de flamme faible et moyenne ajustés. Si des ajustements supplémentaires sont nécessaires, procédez comme suit:

Réglage pour les brûleurs avec un ou deux anneaux de flamme:

1. Allumez le brûleur et réglez le bouton de commande pour flamme basse.
2. Retirez le pommeau de commande de la tige de soupape.
3. Insérez un fin tournevis à lame fine dans le renforcement situé derrière le bouton de commande (Figure 2 pour une flamme simple et Figure 3 à double flamme) et engagez la lame avec la fente dans la vis de réglage. (A flamme singulière; B double flamme).
4. Tourner la vis de réglage pour régler la taille de la flamme:
 - Dans le sens des aiguilles d'une montre pour réduire
 - Dans le sens contraire aux aiguilles d'une montre pour augmenter
5. Remplacez la pomme de commande lorsque le réglage est terminé.

CONVERSION DU GAZ NATUREL AU GAZ LIQUIDE

Insérez le tournevis dans le trou situé dans la paroi avant du tableau de bord et tournez la vis de réglage A dans le sens des aiguilles d'une montre. Un réglage correct produira une flamme bleue stable et constante de taille minimale.

Le réglage final doit être vérifié en tournant le pommeau du haut au bas plusieurs fois sans éteindre la flamme. Ce réglage, au réglage bas, fournira automatiquement la taille de flamme appropriée au réglage moyen.

Une fois que les étapes de conversion sont terminées, vérifiez l'apparence de la flamme de chaque brûleur dans les réglages HI et LO, si les flammes apparaissent trop grandes ou trop petites, vérifiez chaque étape pour vous assurer qu'elle a été correctement complétée.

REMARQUE: Pour obtenir le réglage minimum correct avec le gaz LP, tournez à fond le ou les robinets avec le tournevis à lame mince dans le logement situé derrière le bouton de commande (A et / ou B) en serrant dans le sens des aiguilles d'une montre.

1. Retirer le pommeau de commande de la tige de soupape.
2. Insérez un fin tournevis à lame fine dans le renforcement situé derrière le bouton de commande et engagez la lame avec la fente dans la vis de réglage A une seule flamme.

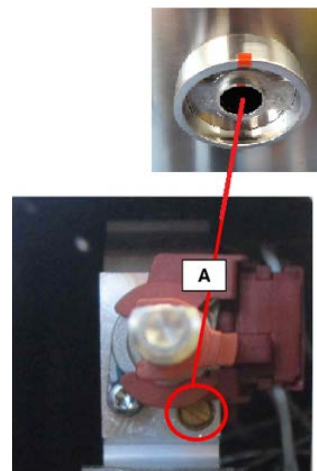


Figure 2: Le robinet du brûleur à une seule flamme

RÉGLAGE POUR LES BRÛLEURS AVEC UN OU DEUX ANNEAUX DE FLAMME:

1. Retirer le pommeau de commande de la tige de soupape.
2. Insérez un fin tournevis à lame fine dans le renforcement situé derrière le bouton de commande et engagez la lame avec la fente dans la vis de réglage A double flamme;

Pour régler la vis C, la procédure est différente:

1. Tournez le pommeau à 90 ° (position maximale);
2. Enlevez le pommeau de commande dans cette position.
3. Insérez un fin tournevis à lame fine dans le renforcement situé derrière le bouton de commande et engagez la lame avec la fente dans la vis de réglage C double flamme.

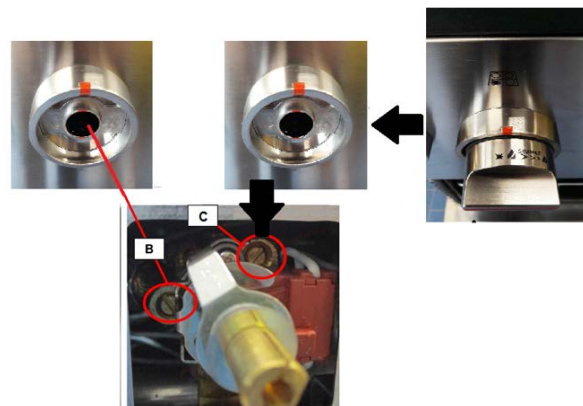


Figure 3: Le robinet du brûleur à double flamme

ALLUMAGE GAZ ÉLECTRIQUE

Les brûleurs à gaz utilisent un dispositif d'allumage électrique situé près de chaque brûleur pour s'assurer que les brûleurs s'allument automatiquement.

DANGER

Allumer des brûleurs à gaz avec une allumette est dangereux.

Vous ne devez allumer les brûleurs avec les allumettes qu'en cas d'urgence.

Allumez une allumette et maintenez la flamme près du brûleur que vous souhaitez allumer. Les allumettes en bois fonctionnent le mieux.

Appuyez sur la pomme de commande et tournez-la lentement.

Assurez-vous de tourner le bouton correspondant au brûleur que vous êtes en train d'allumer.

Les Flammes du Brûleur

Allumez chaque brûleur. Les flammes doivent être de couleur bleue, sans trace de jaune. Les flammes du brûleur ne doivent pas flotter ni s'échapper du brûleur. Le cône intérieur de la flamme doit avoir une longueur comprise entre 1/2" et 3/4".

ATTENTION

Ne pas réparer ou remplacer toute pièce de l'appareil à moins qu'il ne soit spécifiquement recommandé dans ce manuel. Toutes les autres réparations doivent être réalisées par un technicien qualifié. Cela peut réduire les risques de blessures et de dommages matériels. Ne jamais modifier ou altérer la construction de l'appareil en enlevant des panneaux, des couvre-fils, des vis ou toute autre pièce du produit.

Instruction Réglage Haute Altitude

⚠ AVERTISSEMENT

**Les réglages de la vanne doivent être effectués par un technicien qualifié.
Des dommages à l'appareil pourraient se produire.**

PHASE 1

Ces instructions permettent d'ajuster les portées et les sommets des portées pour un fonctionnement à haute altitude, si nécessaire.

Informations importantes pour l'installateur:

Il est important de compléter les éléments suivants AVANT de régler l'appareil.

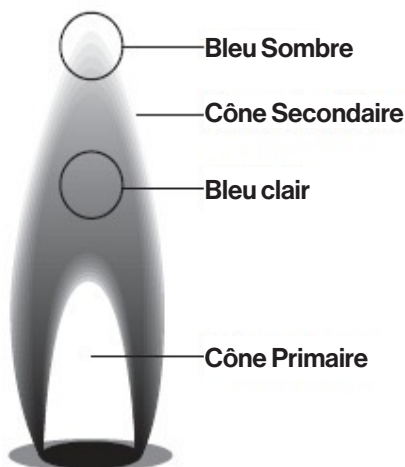
- Laissez ces instructions à côté de l'appareil une fois que l'installation est terminée.
- Lisez et suivez toutes les exigences de sécurité écrites dans le manuel d'installation avant de procéder à l'installation.
- Assurez-vous que l'appareil est installé et que toutes les étapes ont été effectuées conformément aux instructions du manuel d'installation.
- Cuisinières à double combustible converties au gaz propane (LP)

L'appareil doit d'abord être converti pour pouvoir être utilisé avec du gaz propane (LP) avant de pouvoir être converti pour une utilisation à haute altitude. Un professionnel certifié doit installer le kit de conversion au propane (LP)..

PHASE 2

1. Tournez le bouton de commande du brûleur sur HI.
 - Une fois que l'air a été purgé des conduites d'alimentation, le brûleur devrait s'allumer dans les quatre secondes.
2. Vérifiez que les flammes sont stables, sans bruit excessif.
 - Les cônes internes des flammes individuelles doivent être définis et séparés les uns des autres. La flamme, le long du brûleur, ne doit pas présenter d'indices excessifs ou continus de «soulèvement» ou de «flamme paresseuse».

REMARQUE: Il est normal qu'un léger renversement jaune des flammes apparaisse après quelques minutes de fonctionnement avec du gaz propane (LP). Des traînées orange dans la flamme sont produites par la combustion de débris en suspension dans l'air; ceci est normal lors de la première mise en service et devrait se dissiper dans quelques minutes de fonctionnement.



3. Réglez la soupape de commande du brûleur sur MIN pour vérifier que la flamme continue de s'enrouler autour du brûleur. Éteignez la flamme ou utilisez un mouvement rapide du ventilateur à partir d'une tablette écriteoire ou d'un morceau de carton pour éteindre la flamme. Observez la capacité du brûleur à allumer et à enrôler autour du brûleur (également appelé «chevauchement de l'effet») en quelques secondes. Cet «chevauchement de l'effet» de la flamme est essentielle pour l'allumage et le rallumage du brûleur.
4. Si les performances de la flamme ne sont pas acceptables, il peut être nécessaire de réajuster la vis de la vanne (fig. 2 et 3 à la page 34) pour un brûleur dont la flamme n'est pas suffisamment entraînée.

PHASE 3

AVERTISSEMENT

Avant de procéder au réglage, COUPEZ L'ALIMENTATION EN GAZ DE L'APPAREIL AVANT DE DÉBRANCHER L'ALIMENTATION ÉLECTRIQUE.

Si les informations contenues dans ce manuel ne sont pas suivies à la lettre, un incendie ou un choc électrique peut en résulter, entraînant des dommages matériels ou des blessures.

Tournevis pour le réglage des vis à soupape:

Un tournevis à tête plate est utilisé pour repositionner les vis de la vanne afin de régler le débit minimal sur les boutons.

Réglage des vis de soupape sur les cuisinières:

1. COUPEZ L'ALIMENTATION DU GAZ DE L'APPAREIL ET DÉBRANCHEZ L'ALIMENTATION ÉLECTRIQUE.
2. Enlevez le pommeau de la tige de la valve en tirant lentement sur le bouton, hors du panneau de commande.
3. Pour les cuisinières à gaz naturel, notez la position initiale de la fente dans la vis de la vanne. Cela peut être fait en engageant la lame du tournevis dans la fente pour vis et en marquant la poignée du tournevis pour indiquer la position de départ de la vis de la vanne. Avec le tournevis toujours engagé, tournez délicatement la vis de la vanne dans le sens anti-horaire (CCW) d'1/4 de tour (ou de 90 degrés) par rapport à sa position d'origine. Répétez cette procédure pour ajuster le réglage de chaque vis de la vanne. Pour les cuisinières à gaz propane ou un appareil converti au propane gaz, un réglage est rarement nécessaire.
4. Allumez le gaz et le courant électrique à l'appareil. Réévaluez les flammes. Répétez les étapes de 1 à 3 si des ajustements supplémentaires sont nécessaires.

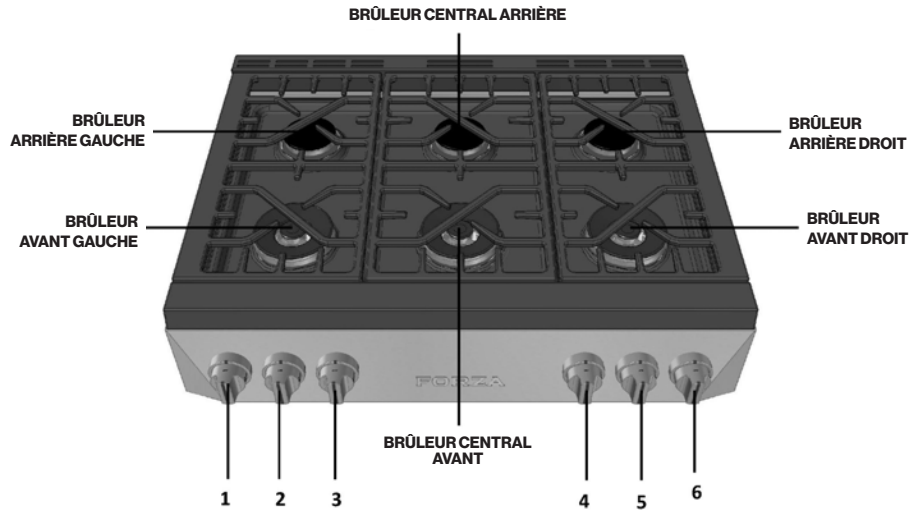
Données Techniques

Caractéristiques de la Table de Cuisson 30"



POMMEAU	BRÛLEUR TABLE DE CUISSON MODÈLE 30"	RÉGLAGES SORTIE BRÛLEUR: BTU/HR NG (Gaz Naturel), 5" P.C.E.	RÉGLAGES SORTIE BRÛLEUR: BTU/HR Gaz LP (Propane), 10" P.C.E.
1	Brûleur Arrière Gauche	12,000 BTU/h	12,000 BTU/h
2	Brûleur Avant Gauche	20,000 BTU/h	20,000 BTU/h
3	Brûleur Avant Droit	20,000 BTU/h	20,000 BTU/h
4	Brûleur Arrière Droit	12,000 BTU/h	12,000 BTU/h

Caractéristiques de la Table de Cuisson 36"



POMMEAU	BRÛLEUR TABLE DE CUISSON MODÈLE 36"	RÉGLAGES SORTIE BRÛLEUR: BTU/HR NG (Gaz Naturel), 5" P.C.E.	RÉGLAGES SORTIE BRÛLEUR: BTU/HR Gaz LP (Propane), 10" P.C.E.
1	Brûleur Arrière Gauche	12,000 BTU/h	12,000 BTU/h
2	Brûleur avant gauche	20,000 BTU/h	20,000 BTU/h
3	Brûleur Central Avant	20,000 BTU/h	20,000 BTU/h
4	Brûleur Central Arrière	12,000 BTU/h	12,000 BTU/h
5	Brûleur avant droit	20,000 BTU/h	20,000 BTU/h
6	Brûleur arrière droit	12,000 BTU/h	12,000 BTU/h

Liste de Contrôle Installateur

- Les dégagements spécifiés sont maintenus sur les surfaces de l'armoire.
- Niveau de l'unité - de l'arrière au côté.
- Les capuchons du brûleur sont correctement positionnés sur leur base.
- Tout le matériel d'emballage enlevé.
- Une garniture à ilot à niveau fixée selon les instructions.
- Vérifier la flamme de chaque brûleur. La flamme peut avoir besoin de brûler pendant plusieurs minutes pour éliminer les impuretés des conduites de gaz.
- Vérifiez que la fonction Min fonctionne et s'allume de nouveau autour du graveur.

Alimentation Gaz

- Connection: ½" N.P.T. avec une conduite flexible de ¾" de diamètre minimum - longueur suggérée de quatre (4) pieds, selon les codes locaux.
- L'appareil est connecté uniquement au type de gaz pour lequel il est certifié.
- Vanne d'arrêt manuel de gaz installée dans un endroit accessible (sans retirer la cuisinière).
- Appareil essayé et exempt de fuites de gaz.
- Lors du raccordement de l'appareil au gaz propane, assurez-vous que le réservoir de propane est équipé de son propre régulateur de haute pression en plus du régulateur de pression fourni avec la cuisinière.
- La pression d'alimentation à gaz ne dépasse pas 14 "W.C. (34.9 mb).

Fonctionnement

- Les lunettes centrées sur les pommeaux du brûleur et les boutons tournent librement.
- Chaque brûleur s'allume de manière satisfaisante, individuellement et avec d'autres brûleurs en fonctionnement.
- Les grilles du brûleur sont correctement positionnées, au niveau et ne basculent pas.

Electrique

- Une prise avec une protection correcte contre les surintensités est fournie pour la connexion du câble de service.
- Bonne connexion à la terre.
- Polarité correcte à la prise.

MANUAL DE INSTALACIÓN

MODELOS DE RANGETOP

FRT304GN

FRT366GN

FORZATM

¡Enhorabuena por su reciente compra Forza! Antes de usar su nuevo producto Forza, se ruega dedicar un momento a examinar el Manual de Instalación. Encontrará las respuestas a todas sus preguntas, así como información de seguridad muy importante. Preste especial atención a las Instrucciones de seguridad importantes ubicadas al principio del manual. ¡Su producto Forza está listo y esperando para ser utilizado en su próxima creación gourmet!

Table of Contents

77	Instrucciones de seguridad
80	Requisitos de ventilación
80	Preparación del armario
87	Desembalaje, montaje y desplazamiento de el rangetop
88	Desembalaje de el rangetop
90	Requisitos del gas
94	Requisitos eléctricos
96	Prueba de los quemadores de el rangetop
97	Adaptación del dispositivo para uso con gas LP
99	Adaptación del dispositivo para uso con gas Natural
102	Ajuste de la llama a fuego bajo
105	Instrucciones para el ajuste de la altitud
107	Datos técnicos
109	Lista de control del instalador

Este dispositivo Forza se ha fabricado en Módena, Italia por GlemGas S.p.A., una empresa familiar.
www.forzacucina.com

Instrucciones de seguridad

Preste atención a los símbolos presentes en este manual:



Este es el símbolo de alerta de seguridad.

Este símbolo le alerta de un riesgo potencial que puede matar o herirle a usted y a los demás.

Todos los mensajes de seguridad irán seguidos del símbolo de alerta de seguridad y de la palabra "PELIGRO" o "ADVERTENCIA".

▲ PELIGRO

podría morir o herirse de gravedad si no sigue las instrucciones al pie de la letra.

▲ ADVERTENCIA

Usted podría morir o herirse de gravedad si no sigue las instrucciones.

Todos los mensajes de seguridad le dirán cuál es el peligro potencial, cómo reducir la posibilidad de lesión y qué puede suceder si no se siguen las instrucciones.

IMPORTANTE: Guarde estas instrucciones para el uso del inspector eléctrico local.

INSTALADOR: Se ruega dejar este manual con el propietario para futuras consultas. Conserve las instrucciones junto con el dispositivo.

PROPIETARIO: Se ruega guardar este manual para futuras consultas.



IMPORTANTE: Advertencia especial - Por favor, lea todas las instrucciones antes de usar este dispositivo ya que la instalación es responsabilidad del propietario. Es necesario que un técnico cualificado instale esta cocina.



IMPORTANTE:

- **Cumplir todas las normativas gubernamentales y ordenanzas.**
- **Anote el modelo y los números de serie antes de instalar la cocina. Ambos números se encuentran en la placa de identificación de fábrica, ubicado debajo o detrás del producto.**

ADVERTENCIA

Si no se sigue al pie de la letra la información de este manual, podría producirse un incendio o explosión provocando daños a objetos, lesiones personales o la muerte.

No almacene o use gasolina u otros vapores y líquidos inflamables cerca de este o cualquier otro dispositivo.

Qué hacer si huele a gas.

- **No trate de encender ningún dispositivo.**
- **No toque ningún interruptor eléctrico.**
- **No use ningún teléfono en su casa.**
- **Llame de inmediato a su proveedor de gas desde el teléfono de un vecino. Siga las instrucciones del proveedor de gas.**
- **Si no puede contactar con su proveedor de gas, llame a los bomberos.**

La instalación y el mantenimiento debe realizarla el instalador cualificado, la agencia de servicio o el proveedor del gas.

Antes de comenzar la instalación:

- Compruebe la ubicación en la que se instalará la cocina. La ubicación debería estar alejada de las fuertes corrientes de aire, como ventanas, puertas y fuertes ventiladores o calefactores.
- Asegúrese de que la toma eléctrica a tierra está disponible, ya que es indispensable para una instalación adecuada.
- Asegúrese de que la instalación eléctrica es adecuada y conforme a la Normativa Eléctrica Nacional, ANSI/ NFPA 70 - última edición**, o la Normativa Eléctrica Canadiense, parte 1 C22.1 (última edición)*** y todas las normativas y ordenanzas locales.
- Asegúrese que la conexión del gas es conforme a las normativas y ordenanzas locales. En ausencia de normativas locales, las instalaciones deben ser conforme a la Normativa Nacional Estadounidense, la Normativa Nacional sobre el Combustible ANSI Z223/NFPA 54 - última edición** Canadiense CAN/ CGA_B 149.1 o la CAN/CGA-149.2 última edición.**

Pueden obtenerse copias enumeradas de las normativas de:

** National Fire Protection Association One Batterymarch Park Quincy, Massachusetts 02269

*** CSA International 8501 East Pleasant Valley Rd. Cleveland, OH 44131-5575

Examine el dispositivo después de desembalarlo. En caso de daño durante el transporte, no lo conecte.

Retire todas las cintas y embalajes antes de usar el dispositivo. Destruya el embalaje tras instalarlo. No permita nunca que los niños jueguen con el material de embalaje.

PARA LAS INSTALACIONES EN MASSACHUSETTS:

1. La instalación debe realizarla el contratista cualificado o certificado, o el fontanero o instalador del gas cualificado o certificado por el estado, provincia o región en la que este dispositivo será instalado.
2. La válvula de cierre debe ser una llave del grifo del gas en forma de "T".
3. El conector de gas flexible no debe ser más largo de 36" (914 mm).

NOTA: Esta cocina NO ha sido diseñada para la instalación en casas prefabricadas (móviles) o remolques de parques de atracciones.

Instalación en Casa Móvil

La instalación de este dispositivo debe ser conforme a las Normativas de Seguridad y Fabricación de la Casa Prefabricada estadounidenses, Título 24 CFR, Parte 3280 (antigua Normativa Federal para la Seguridad y Fabricación de Casa Prefabricada; Título 24 HUD parte 280); o en caso de que dicha normativa no sea aplicable, la Normativa para las Instalaciones de Casas Prefabricadas (Lugares, Comunidades y Configuraciones para Casas Prefabricadas), ANSI A225.1 - última edición, o mediante normativas locales.



IMPORTANTE: COMPROBACIÓN DEL TIPO DE GAS

Antes de conectar el dispositivo a la línea de suministro de gas, asegúrese de que su configuración del gas es la adecuada. El tipo de gas establecido y asignado desde la fábrica se indica en la placa de características.

ADVERTENCIA

Al conectar la unidad al gas propano, asegúrese de que el depósito del mismo disponga de su propio regulador de alta presión, además del regulador de presión suministrado con la cocina. La presión de gas máxima para este dispositivo no debe exceder la wc de 14.0" (34.9 milibares) desde el depósito del gas propano hasta el regulador de presión.



PRECAUCIÓN: Estas cocinas pesan hasta 400 libras (180 kg aprox.). Desmontar algunas piezas reducirá considerablemente el peso. Debido al peso y al tamaño de la cocina y para reducir los riesgos de lesión del personal o daño al producto:

SE REQUERIRÁN DOS PERSONAS PARA UNA INSTALACIÓN ADECUADA.

Requisitos de ventilación

Combinaciones de la campana extractora:

Se recomienda que dichas cocinas se instalen junto con una campana extractora suspendida.

Debido a la alta capacidad térmica de este aparato, preste especial atención a la instalación de los conductos y de la campana para asegurar que cumpla con las normativas de fabricación locales.



ADVERTENCIA: Una cortina de aire u otras campanas suspendidas, que funcionan soplando un chorro de aire sobre el rangetop, no deben usarse junto con fogones con placas de cocción a gas a pesar de que la campana y el rangetop hayan sido diseñadas, probadas y certificadas por un laboratorio de pruebas independiente para su uso combinado. Las distancias para las superficies horizontales de la cocina, medidas para la superficie de cocción son inferiores. El incumplimiento podría provocar riesgo de incendio.

- Las instalaciones sin una campana requieren un mínimo de 30" para los combustibles;
- La instalación de una campana personalizada con superficies combustibles horizontales expuestas debe disponer de una función de encendido automático;
- Para otras instalaciones con campana, véase las instrucciones de instalación de la campana para las distancias concretas de la misma.

Preparación del armario



NOTA IMPORTANTE: Al instalarla contra una superficie combustible, se requiere una elevación mínima para el rangetop, además de todas las distancias mínimas para las superficies combustibles mostradas en la ilustración en las páginas anteriores. El rangetop es una unidad independiente. Si la unidad se va a colocar adyacente a los armarios, se requiere las distancias mostradas en la Figura 1. Las mismas distancias se aplican a las instalaciones de la isla, excepto los armarios superiores, que deben tener un espacio amplio y suficiente para aceptar la campana de la isla con forma acampanada.

- Debe sellarse cualquier apertura en la pared detrás de la cocina y en el suelo debajo de la misma.
- Al usar la campana de la isla se recomienda una distancia trasera mínima de 12" (305 mm) con respecto a la superficie de combustible (véase la Figura 2 en la página 10, Distancias de los armarios). Las distancias de los materiales no combustibles no forman parte de la competencia de ANSI Z21.1. Las distancias inferiores a 12" (305 mm) deben ser aprobadas por las normativas locales y/o por la autoridad local competente.
- Cuando se instala la cocina contra una pared lateral del combustible, se necesita una distancia mínima de 8" (203 mm) desde el lado de la cocina hasta la pared.
- Mantenga siempre el área del electrodoméstico libre de materiales combustibles, gasolina y otros vapores y líquidos inflamables. La profundidad máxima de los armarios superiores instalados a cada lado de la campana es de 13" (330 mm).
- No obstruya el flujo de aire de combustión y ventilación de la unidad.

Hay una distancia mínima requerida de 48" (1220 mm) entre la parte superior de la superficie de cocción y la parte inferior de un armario desprotegido.

Se requiere un espacio mínimo de 48 pulgadas entre la parte superior de la superficie de cocción y la parte inferior de un armario desprotegido. Se puede utilizar un espacio libre de 30 pulgadas cuando la parte inferior del armario de madera o metal está protegida por no menos de No. 28MSG hoja de acero, 0.015 pulgadas (0.4 mm) de espesor de acero inoxidable, 0.024 pulgadas (0.6 mm) de aluminio, o 0.020 pulgadas (0.55 mm) de espesor de cobre.

Los materiales ignífugos llevan la marca:

UNDERWRITERS LABORATORIES INC. CLASSIFIED MINERAL AND FIBER BOARDS SURFACE CHARACTERISTICS

Seguida de la propagación de llama y clasificación de humo. Estas designaciones se muestran como “FHC (Flame Spread/Smoke Developed)”. Los materiales con grados de propagación de llama “O” son ignífugos. Los códigos locales pueden permitir otras clasificaciones de propagación de llama.

Suministro eléctrico

El cable suministrado con las cocinas de gas que tienen una plancha eléctrica requiere un receptáculo con clavija NEMA 5-15.

CON CLAVIJA
NEMA 5-15



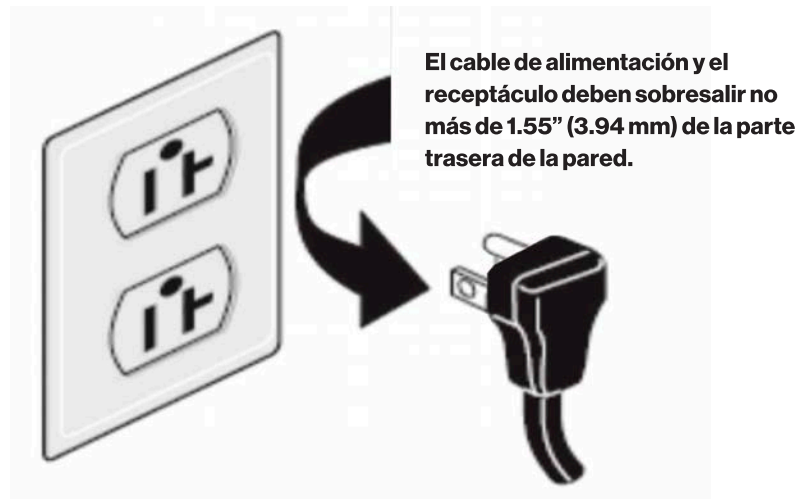
RECEPTÁCULO



Al conectar el cable de la fuente de alimentación al receptáculo, la conexión combinada de clavija/receptáculo debe sobresalir no más de 1,55” (39,4 mm) de la parte trasera de la pared.

⚠ ADVERTENCIA

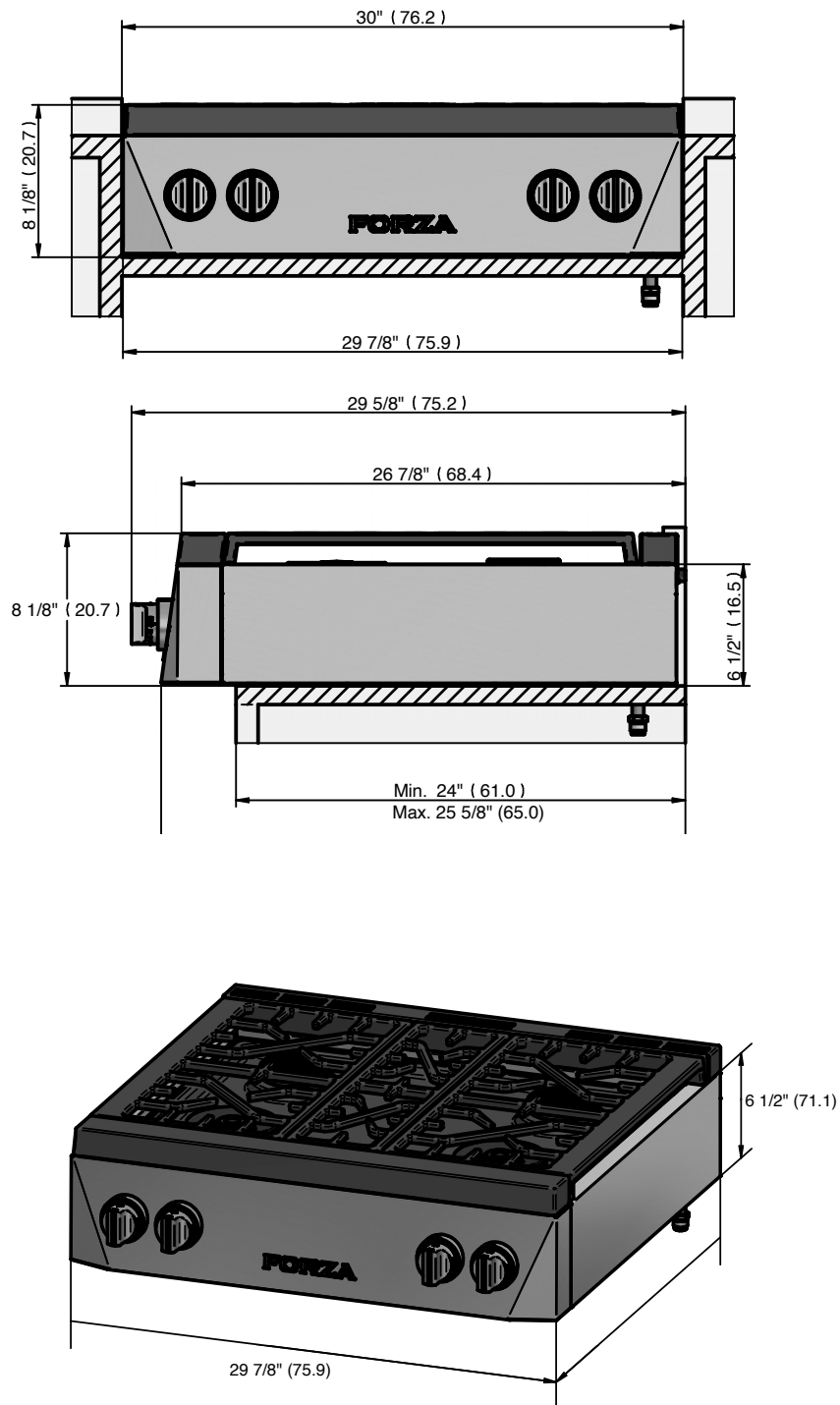
Este producto debe estar conectado correctamente a la toma de tierra.



NOTA: Las formas de los enchufes pueden variar.

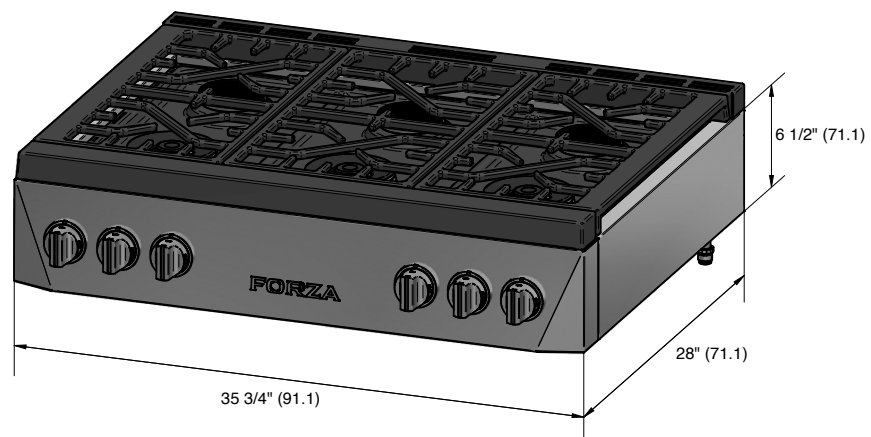
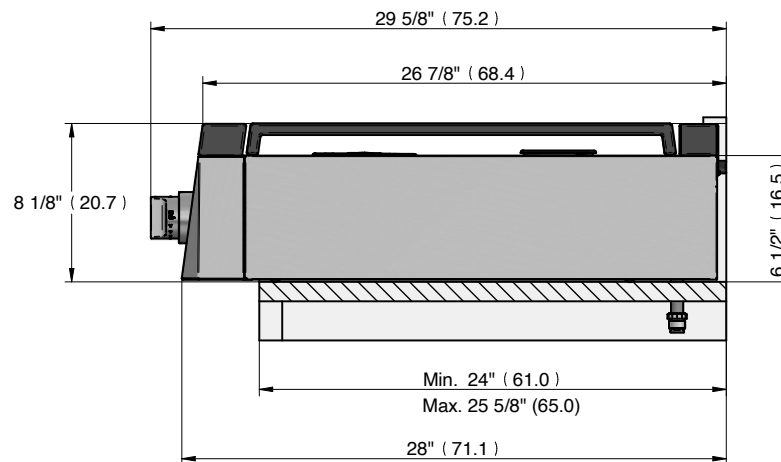
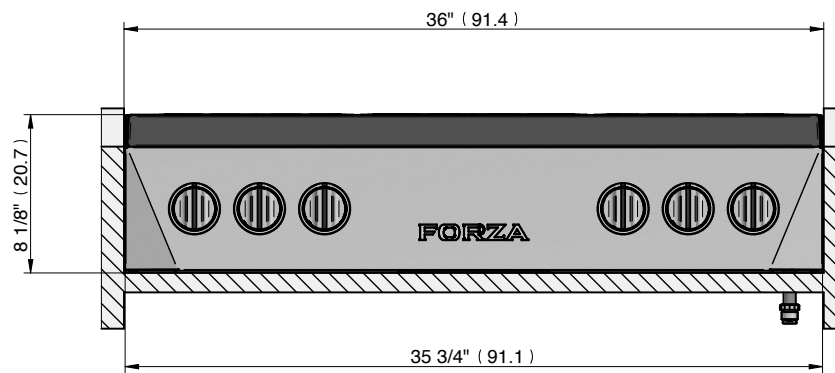
Dimensiones del producto

Modelo de rangetop 30"



Dimensiones del producto

Modelo de rangetop 36"



Requisitos de encastre

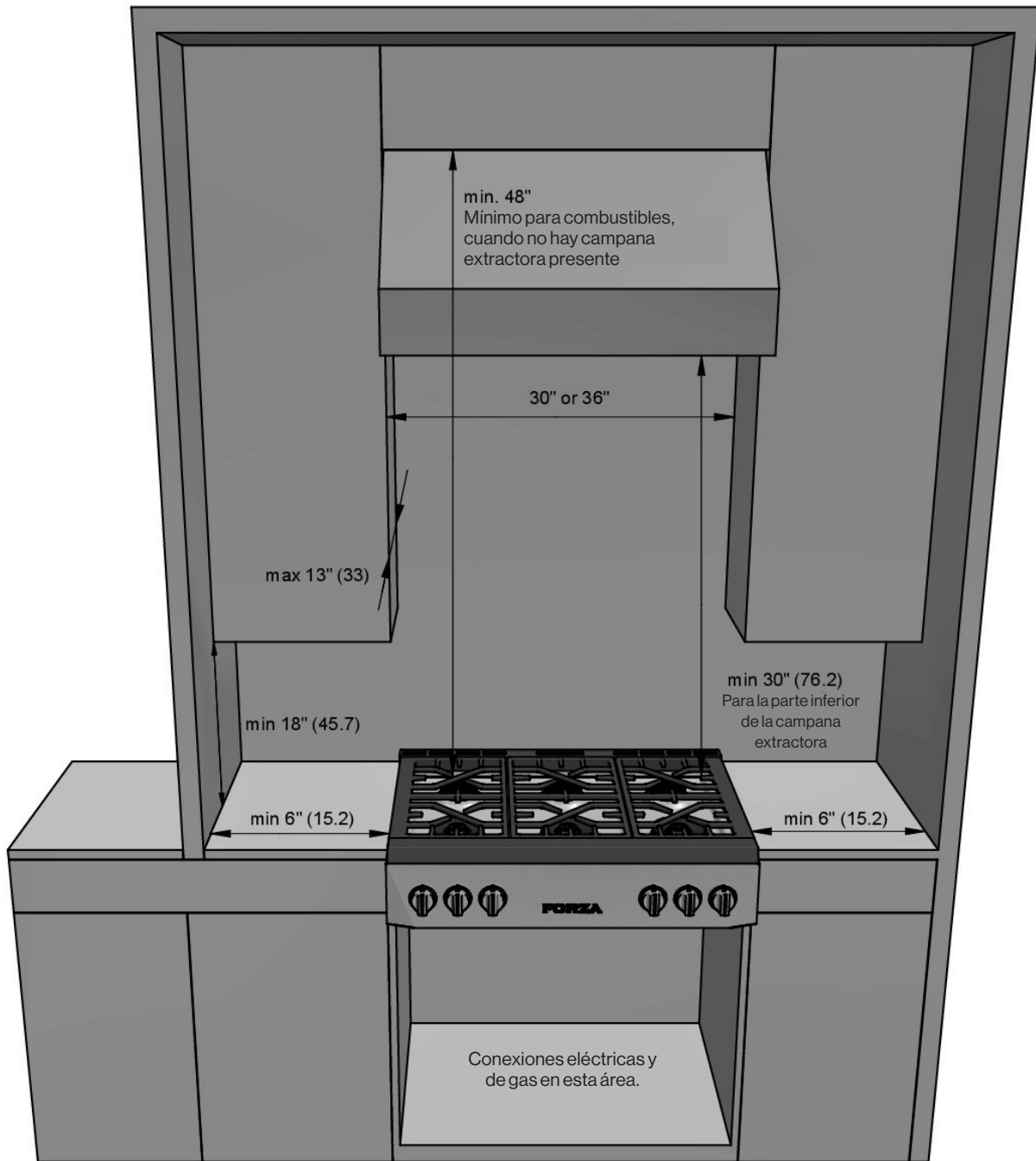


Figura 1

Para eliminar el riesgo de quemaduras o incendio al tocar aparatos con superficies calientes, se debe evitar ubicar el espacio de almacenamiento del armario sobre las superficies de los aparatos. Si se suministra el lugar de almacenamiento del armario, el riesgo puede reducirse instalando una campana extractora que sobresalga horizontalmente un mínimo de pulgadas más allá de la parte inferior de los armarios. Deben sellarse todas las aperturas en la pared o el suelo en el que se ha de instalar la cocina.

Instalación con partición, tipo 2 (vista en perspectiva)

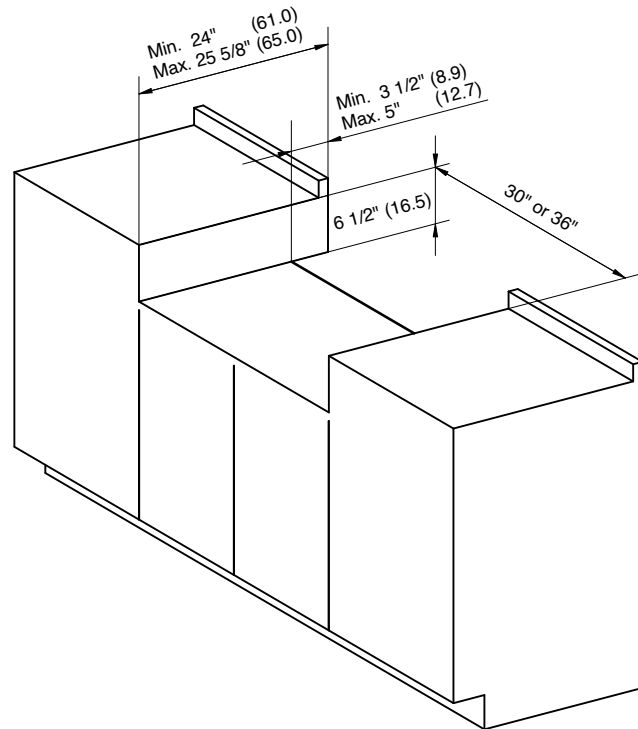


Figure 4

Instalación con partición, tipo 2 (vista en planta)

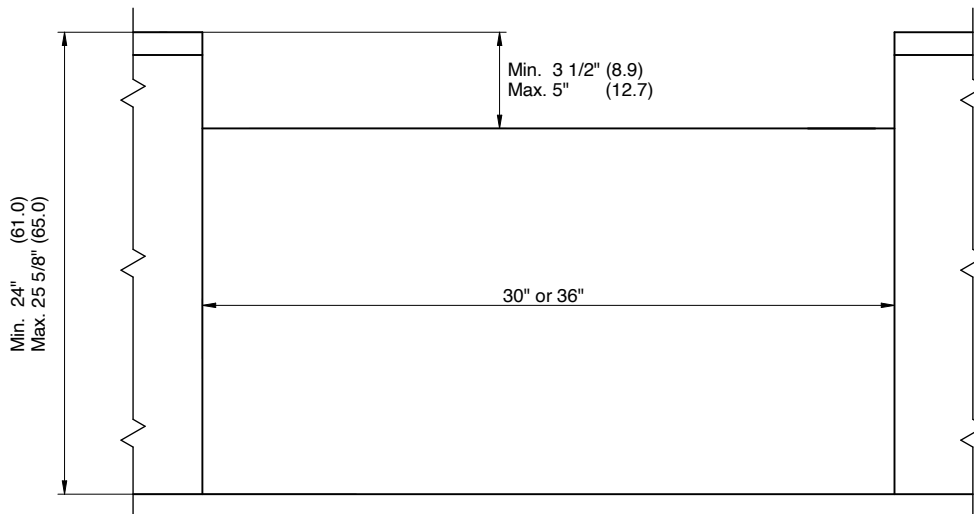


Figure 5

Elegir la ubicación de la cocina

Cuidadosamente, seleccione la ubicación en la que se colocará la cocina. La cocina debe ubicarse de forma práctica en la cocina, pero alejada de fuertes corrientes de aire.

Las fuertes corrientes de aire podrían producirse al abrir las puertas o ventanas, o mediante sistemas de calefacción y/o ventiladores o conductos de aire acondicionado.

Desembalaje, Montaje y Desplazamiento de el rangetop

ADVERTENCIA

NO eleve el dispositivo mediante el panel de control de la cocina.

El aparato es pesado y debe manejarse en consecuencia. Debe usarse el equipo de seguridad adecuado como guantes y la mano de obra de al menos, dos personas para desplazar la cocina evitando las lesiones y los daños al aparato o al suelo.

Deben quitarse los anillos, relojes y cualquier otro elemento colgante que pudiera dañar el aparato o en cualquier caso, enredarse en él.

Las superficies ocultas pueden tener bordes afilados. Tenga cuidado al tocar por detrás y por debajo del dispositivo.

NO use una carretilla de mano o una plataforma móvil en la parte trasera o delantera del aparato. Sujételo únicamente por el lateral.

ADVERTENCIA

MANTENER LEJOS DE LOS NIÑOS PEQUEÑOS. LA FINA PELÍCULA PODRÍA ADHERIRSE A LA NARIZ Y A LA BOCA E IMPEDIR LA RESPIRACIÓN.

Para evitar el riesgo de asfixia, mantenga esta bolsa de plástico lejos de bebés y niños. No utilice esta bolsa en cunas, camas, carritos ni corralitos. Esta bolsa no es un juguete.

Peligro de corte

Tenga cuidado con los bordes afilados. Use acabados de poliestireno para transportar el producto. Su incumplimiento podría acarrear lesiones leves o cortes.

Antes de desplazar la cocina, proteja cualquier superficie acabada y fije la(s) puerta(s) del horno para evitar daños.

Retire los materiales de embalaje y el paquete con la documentación del horno antes de comenzar la instalación.

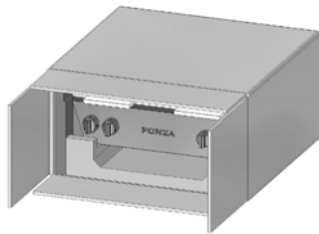
Saque las Instrucciones de instalación del paquete de documentación y léalas con cuidado antes de empezar.

Desembalaje de el rangetop

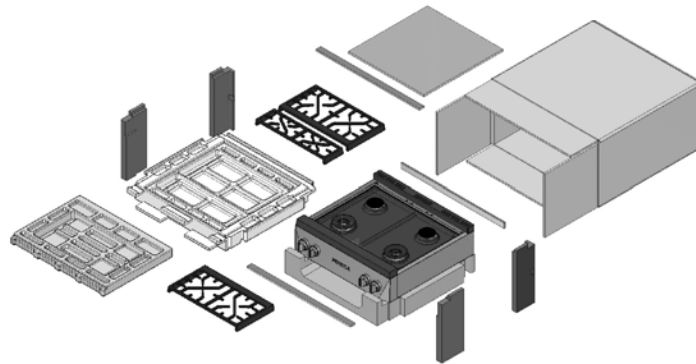
- 1) Retire el cartón exterior y los materiales de embalaje pero deje la capa de soporte de espuma adhesiva sobre las superficies de metal pulido, para proteger los acabados de arañazos, hasta que se instale la cocina en su posición final.



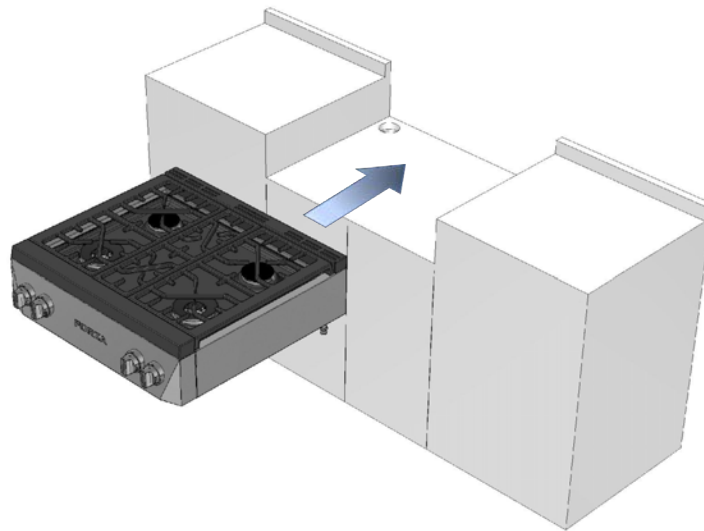
PRECAUCIÓN: Puesto limpio. Los extremos de la banda de corte podrían romperse hacia usted.



- 2) Se recomienda que las parillas, las planchas, las tapas de los quemadores y las rejillas del horno se retiren para facilitar su manejo.



- 3) Deslice el rangetop en su lugar..



PRECAUCIÓN: Las puertas y los pasillos que conducen al lugar de instalación requieren al menos 31" de apertura. Si la apertura es menor a 31", la(s) puerta(s) del horno y el botón regulador deben retirarse. (Véase el Manual de Uso y Mantenimiento para las instrucciones de retirada de la puerta del horno).

Desplazamiento de la cocina

Debido al peso, se deben usar un armario con plataforma móvil y ruedas ligeras o un elevador de aire para desplazar esta unidad. El peso debe ser soportado por la parte inferior de forma uniforme.

	RANGETOP de 30"	RANGETOP de 36"
Peso del paquete	88 lvr (40Kg)	108 lvr (49Kg)
Peso sin materiales de embalaje	84 lvr (38Kg)	104 lvr (47Kg)

Requisitos del gas

LA CONEXIÓN DEL SUMINISTRO DE GAS DEBE REALIZARLA EL PERSONAL CUALIFICADO O UN INSTALADOR DE DISPOSITIVOS DE GAS.

A gran altitud

Para altitudes superiores a los 2 000 (610 m) por encima del nivel del mar, se pueden realizar ajustes siguiendo las instrucciones del manual. Si el rendimiento de la llama es satisfactorio, no se requerirá ninguna regulación. Se requiere que un profesional certificado realice los ajustes de altitud durante la instalación.

⚠ ADVERTENCIA

La línea de gas no debe entrar en contacto con ningún componente dentro de la contracubierta de la cocina.

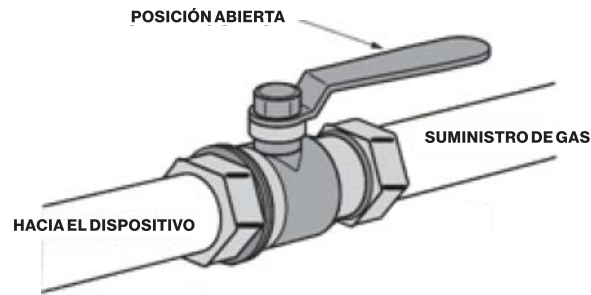
⚠ ADVERTENCIA

Si la presión de la línea que suministra al regulador de presión del dispositivo excede de 14 pulgadas de wc. (cualquier gas), se debe instalar un regulador externo en la entrada de la línea de gas del regulador del dispositivo para reducir la presión a no más de 14 pulgadas de wc. El incumplimiento puede provocar un funcionamiento erróneo y dañar el dispositivo.

⚠ ADVERTENCIA

El dispositivo debe aislarse del sistema de tuberías de suministro de gas cuando al cerrar su válvula de cierre específica durante cualquier prueba de presión del sistema de tuberías de suministro de gas a las presiones de prueba, excede, iguala o es menor a ½ psig (3.5kPa.) y daña el dispositivo.

Conexión del gas



Debe instalarse una válvula de cierre externa al dispositivo, en un lugar accesible desde la parte delantera, con el fin de cerrar el suministro de gas. La línea de suministro no debe interferir con la parte trasera del aparato. Asegúrese de que el suministro de gas esté desactivado mediante la válvula de cierre manual antes de conectar el dispositivo. Use $\frac{3}{4}$ " (19 mm) de línea flexible (48 ft máx. - 1219 mm) a conectar entre el suministro de gas y la entrada de gas en el dispositivo.

El regulador de presión de gas se suministra y ya viene instalado con este dispositivo. Para la tubería de suministro, excepto que se indique lo contrario, debería usarse una Tubería de Rosca Nacional Común (N.P.T.).

La conexión de entrada del gas en el dispositivo es de $\frac{1}{2}$ " (12.7 mm) NPT.

Para todas las conexiones de tuberías, use un compuesto apto para juntas de tuberías resistente a la acción del gas LP.

Tenga cuidado de no aplicar presión excesiva al apretar las conexiones.



IMPORTANTE: No reutilice nunca viejos conectores al instalar esta cocina.

Para reducir las probabilidades de fugas de gas, aplique cinta de teflón o un compuesto de hilo apto para el uso con LP o gas Natural para todas las conexiones roscadas.

Aplique un fluido de detección de fugas no corrosiva a todas las juntas y accesorios en la conexión del gas, entre la válvula de cierre de la línea de suministro y la entrada de la placa de cocción.

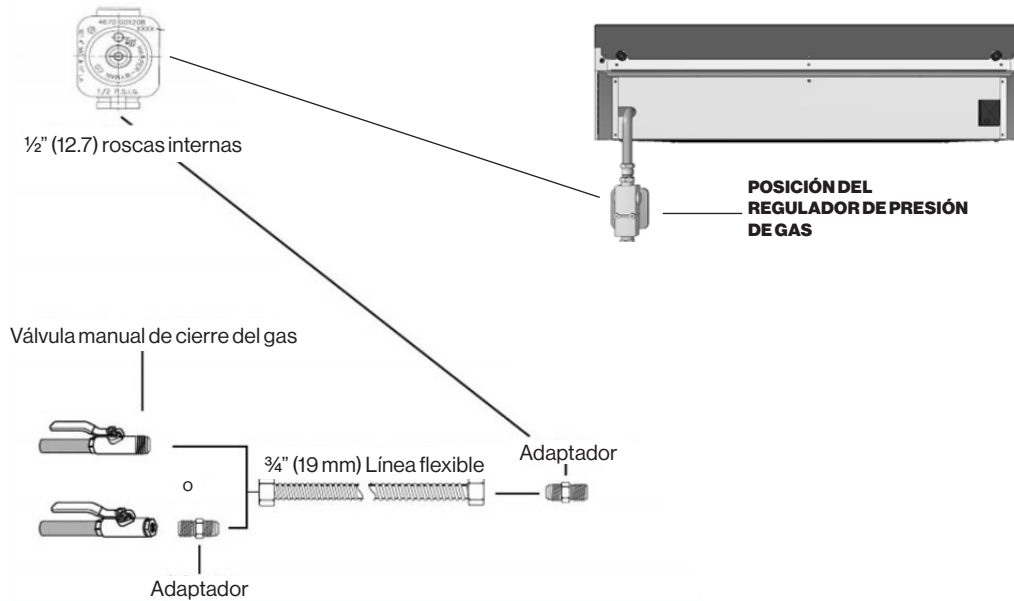
¡Comprobación de fugas!

Las burbujas que aparezcan alrededor de los accesorios y las conexiones indicarán una fuga. Si aparece una fuga, cierre la válvula de cierre del gas de la línea de suministro, apriete las conexiones, abra la válvula de cierre del gas de la línea de suministro, y vuelva a comprobar las fugas. Nunca compruebe las fugas de gas con una llama abierta.

NUNCA APLIQUE MÁS DE 35 ft lbs DE PAR DE TORSIÓN.



PRECAUCIÓN: No trate de conectar el conector flexible directamente a la rosca de la tubería externa. La conexión requiere adaptadores de unión abocinados.



PARA TODOS LOS TIPOS DE TUBERÍA ALTERNATIVA PARA CONECTAR EL DISPOSITIVO AL SUMINISTRO DE GAS, LA CONEXIÓN AL SUMINISTRO DEL GAS DEBE REALIZARLA UN TÉCNICO CUALIFICADO O UN INSTALADOR DEL DISPOSITIVO DEL GAS.

Las pruebas de fuga del dispositivo debería supervisarlas el instalador de acuerdo con las instrucciones dadas.

Para las instalaciones en Massachusetts:

- 1) La válvula de cierre debe ser una llave del grifo del gas en forma de "T".
- 2) El conector de gas flexible no debe ser más largo de 36 pulgadas.
- 3) No es apto para instalación en dormitorio o baño a menos que la unidad disponga de ventilación directa.

Este dispositivo ha sido diseñado para usarse con gas NG o gas LP. El regulador de presión del gas se suministra con este dispositivo. Debe instalarse en la toma del gas de la entrada múltiple. Podría estar preestablecida para el uso con gas natural. Compruebe la placa de identificación.

Para usarla con otros gases se debe adaptar, tal y como se describe en el punto de Adaptación del Gas.

Si en cualquier momento, el dispositivo se usa con otro tipo de gas, todos los ajustes adaptativos debe realizarlos un técnico cualificado antes de tratar de poner en funcionamiento la cocina con dicho gas.

REQUISITOS DEL GAS	
Gas Natural	WC
Presión de alimentación	4" (10 milibares)
Presión Mín. de línea	5" (12.5 milibares)
Presión Máx. de línea	14" (34.9 milibares), .5 psi (3.5 kPa)

GAS REQUIREMENTS	
Gas LP	WC
Presión de alimentación	11" (27 milibares)
Presión Mín. de línea	12" (27.4 milibares)
Presión Máx. de línea	14" (34.9 milibares), .5 psi (3.5 kPa)

Prueba de presión

El dispositivo debe aislarse del sistema de tuberías de suministro de gas cuando al cerrar su válvula de cierre específica durante cualquier prueba de presión del sistema de tuberías de suministro de gas a las presiones de prueba, iguala o es menor a 1/2 PSIG (3.5kPa).

Este dispositivo, así como su válvula de cierre simple, debe desconectarse del sistema de tuberías de suministro del gas durante cualquier prueba de presión del sistema a las presiones de prueba, excede de 1/2 PSIG (3.5 kPa).

Al comprobar el funcionamiento del regulador del dispositivo, asegúrese de que la presión del suministro de gas natural está entre 6 y 14 pulgadas de wc o, si está adaptado para el gas LP, entre 11 y 14 pulgadas.

Requisitos eléctricos

Este dispositivo debe suministrarse con el voltaje y la frecuencia correcta y debe conectarse a un circuito derivado individual, debidamente conectado a la toma de tierra, protegido por un disyuntor o fusible que posea el amperaje indicado en la placa de identificación. Recomendamos que un electricista cualificado realice el cableado eléctrico y el acople del dispositivo.

Tras la instalación, procure que el electricista le muestre donde se ubica la desconexión del dispositivo principal. Compruebe mediante los servicios públicos locales las normativas eléctricas que se aplican en su zona. Un cableado erróneo de su placa de conexión según las normativas gubernamentales podría generar una condición de peligro.

Si no hubiera normativas, su dispositivo debe cablearse y fusionarse para cumplir los requisitos de la Normativa eléctrica nacional, ANSI/NFPA N°70 - Última edición. Puede obtener una copia por escrito de:

National Fire Protection Association (Asociación de Protección Nacional contra incendios)
Battery march Park
Quincy, MA 02269

MODELO TIPO	VOLTAJE	POTENCIA NOMINAL DEL CIRCUITO	FRECUENCIA	FASE
Rangetop de 30"	120 VAC	0,005 Amperios	60 Hz	Simple
Rangetop de 36"	120 VAC	0,005 Amperios	60 Hz	Simple

ADVERTENCIA

Una fuente de alimentación inadecuada de 120 VCA provocará un mal funcionamiento, dañará el dispositivo y posiblemente, creará una condición de riesgo de descarga.

Antes de conectar el cable eléctrico, asegúrese de que todos los controles estén en la posición OFF.

Un suministro eléctrico y toma de corriente adecuados deben usarse para hacer funcionar las piezas eléctricas de su dispositivo.



ADVERTENCIA: Instrucciones de conexión de la toma a tierra eléctrica para toma de 3 clavijas con conexión a tierra. No quite la clavija de la toma de tierra. No use un adaptador. No use una alargadera. El incumplimiento de estas instrucciones puede acarrear la muerte, incendio o descarga eléctrica.

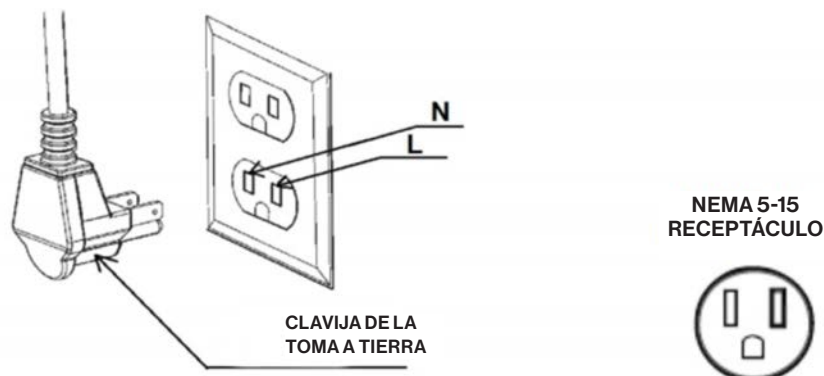


IMPORTANTE: Por seguridad personal, este dispositivo debe estar correctamente conectado a la toma de tierra.

El cable de suministro de este dispositivo está equipado con un enchufe de 3 clavijas (tomas de tierra) que deben usarse con la adecuada toma a tierra de 3 agujeros con una corriente de 120 voltios, 60 ciclos AC de corriente en el hogar. Si no dispone de una toma a tierra con 3 agujeros, procure que un electricista cualificado lo cambie. Se necesitará un adaptador de la toma a tierra para modificar a la toma antigua hasta que pueda sustituirse. Este método es solo temporal, y un electricista cualificado debe probarlo para asegurarse de que cumple con los requisitos.

Bajo ninguna circunstancia, corte o quite la clavija de la toma a tierra del cable del dispositivo.

Enchufe del cable de alimentación



⚠ ADVERTENCIA

- **Si la tubería de agua fría es interrumpida por plásticos, juntas no metálicas, conexiones de empalme u otros materiales aislados, NO la use para la toma a tierra.**
- **NO usar toma a tierra para una tubería de gas.**
- **NO use un fusible en el circuito NEUTRO o en la TOMA A TIERRA. Un fusible en el circuito NEUTRO o en la TOMA A TIERRA podría provocar una descarga eléctrica.**
- **Compruebe a través de un electricista cualificado, si duda de si el dispositivo está correctamente conectado a la toma de tierra.**
- **El incumplimiento de estas instrucciones puede provocar lesiones graves o la muerte.**



PRECAUCIÓN: No repare o sustituya ninguna pieza del dispositivo a menos que se especifique como recomendado en el manual. El resto de servicios debería realizarlo un técnico cualificado. Esto podría reducir el riesgo de lesión personal y de daño al dispositivo. Nunca modifique o altere la construcción del dispositivo retirando los paneles, las cubiertas de cables, los tornillos, o cualquier otra parte del producto.

Prueba de los quemadores de el rangetop

Instale cualquier componente suelto, como las tapas y parrillas del quemador que hayan sido retiradas antes. Asegúrese de que las tapas del quemador se asienten correctamente en las bases del mismo. Antes de probar el funcionamiento del dispositivo, compruebe que la unidad y el suministro de gas se han revisado con cuidado en busca de fugas y que la unidad ha sido conectada a la fuente de alimentación eléctrica. Gire a la posición de abierto el cierre manual del gas.

Pruebe la ignición del quemador

Seleccione un botón del quemador en la parte superior de la cocina. Presiónelo y girelo en sentido antihorario a HI. El cebador/módulo de chispa producirá un sonido de clic. Una vez que el aire ha sido purgado de las líneas de suministro, el quemador debería encenderse durante cuatro (4) segundos.

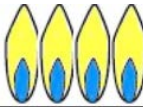
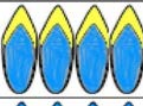

Pruebe la ignición del quemador

Gire el quemador hacia el nivel alto. Véase la Figura para las características de llama adecuada. Si cualquiera de los quemadores de la parte superior de la cocina continúa quemándose o está totalmente amarillo, compruebe que la tapa del quemador está colocada correctamente en la base del mismo, y luego vuelva a probar. Si las características de la llama no mejoran, contacte con Forza.

Prueba de llama: Ajuste a fuego bajo

Gire el quemador hacia el nivel bajo. Compruebe que la llama rodea totalmente al quemador. Debería haber una llama por cada puerto de quemador y no debería haber ningún espacio de aire entre la llama y el quemador. Encienda cada una de las llamas y permita que se reaviven para comprobar la combustión del quemador. Si algún quemador no funciona, contacte con Forza.

Repita los procedimientos de Prueba de Llama y de Combustión, descritos para cada quemador de la parte superior de la cocina.

Yellow Flames Further adjustment is required	
Yellow Tips on Outer Cones Normal for LP Gas	
Soft Blue Flames Normal for Natural Gas	

Si la llama está totalmente o en su mayor parte amarilla, compruebe que el regulador está configurado para el combustible correcto. Reinicie tras el ajuste.

Durante el arranque inicial, algunas líneas de color naranja son normales.

Deje funcionar la unidad durante 4-5 minutos y vuelva a probarla antes de llevar a cabo los ajustes.

Cuando la llama se ajusta correctamente: Debería haber una llama por cada puerto del quemador. No debería haber espacios de aire entre la llama y el puerto del quemador.

Contacte con Forza si:

- 1) Ninguno de los quemadores se enciende.
- 2) Ninguno de los quemadores continúa quemándose en amarillo.

Adaptación del dispositivo para uso con gas LP

⚠ ADVERTENCIA

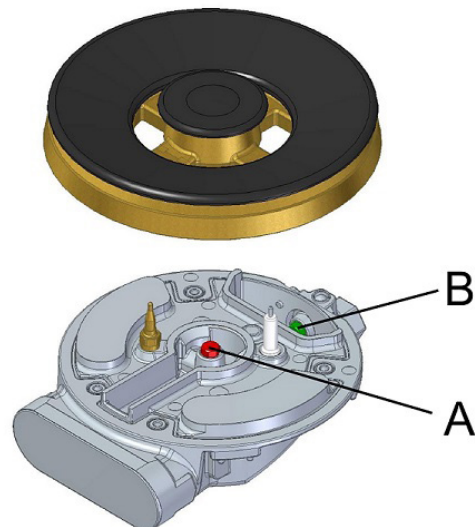
La adaptación debe realizarla un **PERSONAL AUTORIZADO** (u otra agencia cualificada) de acuerdo con las instrucciones del fabricante y todas las normativas y requisitos de la autoridad competente. El incumplimiento de estas instrucciones puede provocar lesiones graves o daños materiales. La agencia cualificada que realiza este trabajo asume la responsabilidad de dicha adaptación.

⚠ **ADVERTENCIA:** El suministro eléctrico y del gas deben apagarse antes de realizar la adaptación.

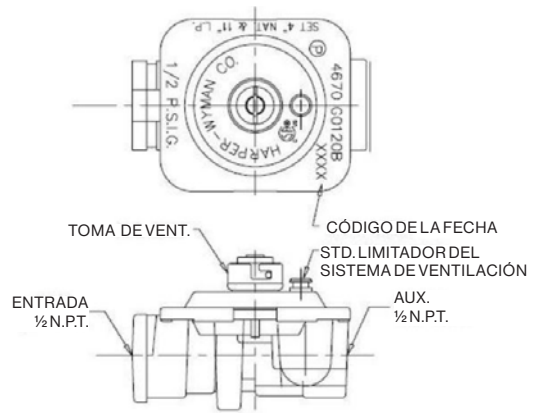
Si este dispositivo debe adaptarse para el uso con gas LP (propano o butano), cada una de las siguientes modificaciones deben ser realizadas:

Sustituya los inyectores (quemador de llama con dos anillos)

- 1) Retire las parrillas y las tapas del quemador.
- 2) Retire el difusor de gas de latón.
- 3) Retire el inyector (A) usando una llave de tuerca de 9-32" en sentido antihorario.
- 4) Retire el inyector (C) usando una llave poligonal de 9-32" en sentido antihorario.
- 5) Instale los inyectores suministrados con este dispositivo en el quemador adecuado. Los inyectores tienen números pequeños impresos en el lateral, este número corresponde al diámetro del orificio y a la ubicación correcta del quemador (véase las ilustraciones en la sección: "Posición de los inyectores").
- 6) Gire en sentido horario para apretar (par de apriete de 15 a 20 pulgadas-lbs).
- 7) Vuelva a colocar todas las piezas en orden inverso.
- 8) Guarde los inyectores retirados de los dispositivos para usarlos en el futuro.



Regulador de presión



Adaptación de los dispositivos para uso con gas Natural

Si este dispositivo debe adaptarse para el uso con gas NG (gas natural), cada una de las siguientes modificaciones deben ser realizadas:

- 1) Adapte el regulador de presión a la posición NG según el punto "Adaptación del Regulador de Presión".
- 2) Sustituya todos los quemadores siguiendo los pasos descritos en las páginas anteriores, anote el número impreso en el lateral, este número corresponde al diámetro del orificio y la ubicación correcta del quemador (véase las ilustraciones de la sección: "Posición de los inyectores").
- 3) Ajuste la llama del quemador (véase sección "Ajuste de la llama a fuego bajo"). Compruebe la apariencia de cada llama del quemador en la configuración de HILO; si la llama aparece demasiado grande o pequeña, asegúrese de que todos los pasos se han completado correctamente.

Adaptación del regulador de presión

El dispositivo ha sido diseñado para usarse con gas NG o gas LP. Se suministra con regulador de presión. Debe instalarse en la toma de suministro del gas de la entrada múltiple.

Está preestablecido para uso con gas tal y como se indica en la etiqueta del dispositivo suministrado con el mismo. Para su uso con otros gases, debe adaptarse el dispositivo.

Para la adaptación del regulador de presión, siga las instrucciones de abajo:

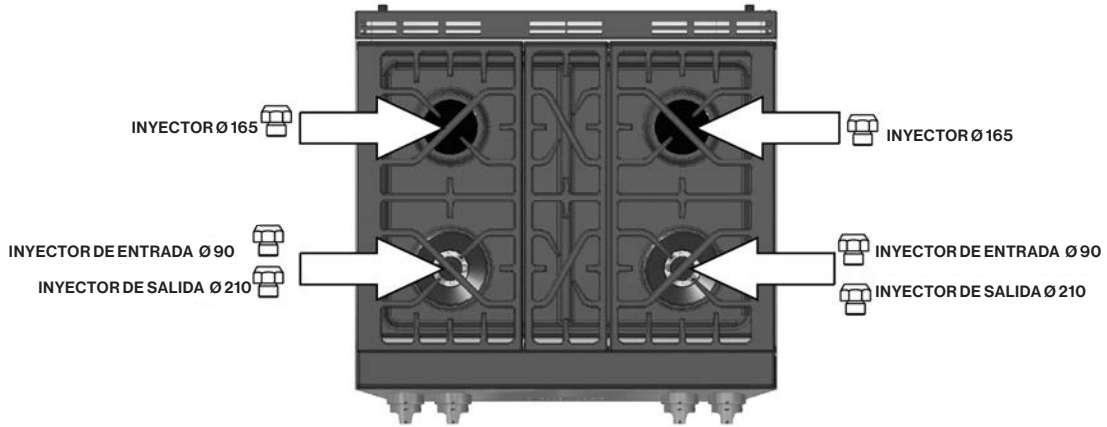
- Desconecte toda la corriente eléctrica, desde el disyuntor principal o caja de fusibles.
- Cierre el suministro de gas a la placa de cocción cerrando la válvula manual de cierre.
- Ajuste el regulador de presión siguiendo las instrucciones (véase la figura para la adaptación del gas NG al gas LP)

- 1) Desatornille la tapa del regulador (figura 2)
- 2) Voltee y vuelva a atornillar la tapa (de gas NG a gas LP, véase las figuras 4 y 5).
- 3) Sustituya la tapa del regulador asegurándose de que la junta esté en su ranura (figuras 6 y 7).



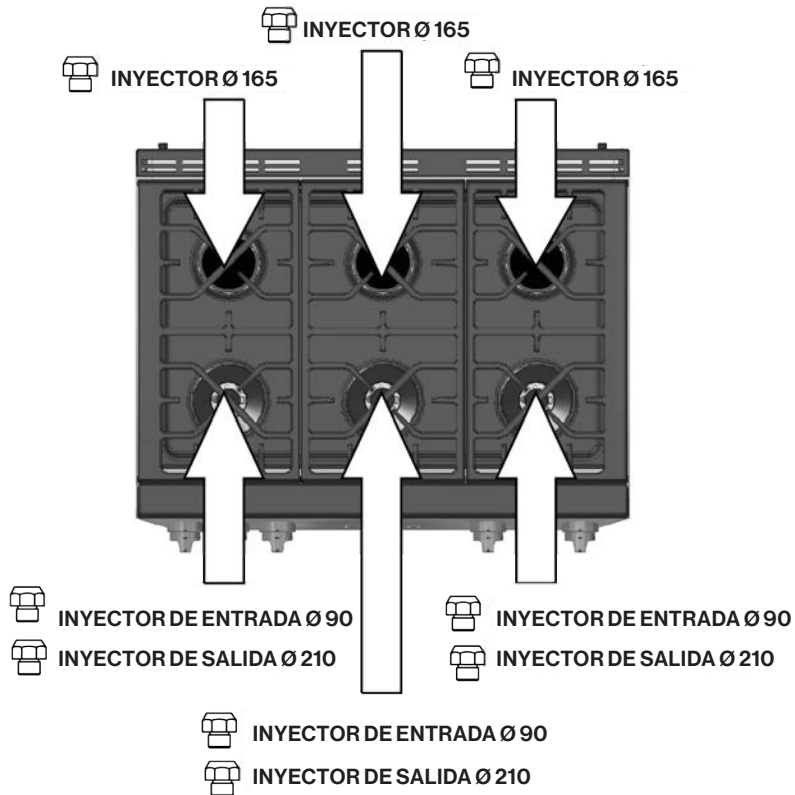
POSICIÓN DE LOS INYECTORES DE GAS NATURAL (GN)

Rangetop de 30"



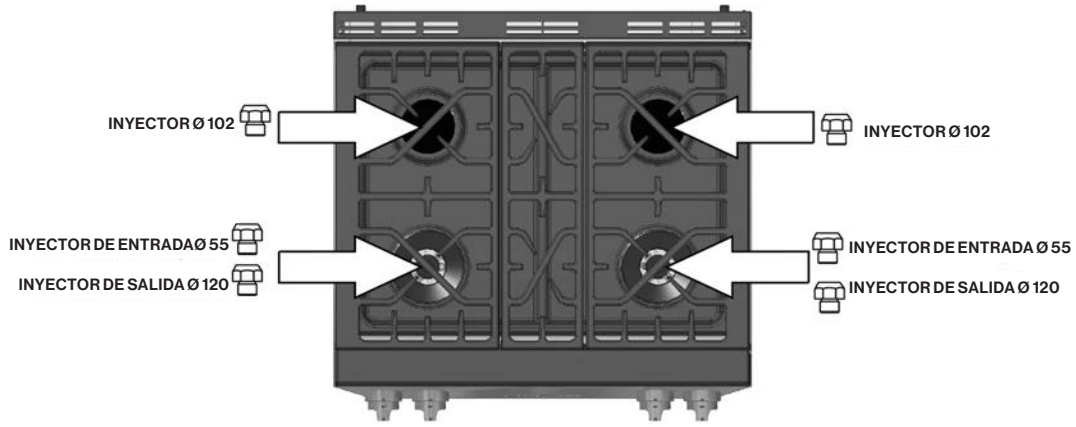
Por favor, tenga en cuenta que el quemador doble está equipado con dos inyectores de salida con el mismo diámetro;

Rangetop de 36"



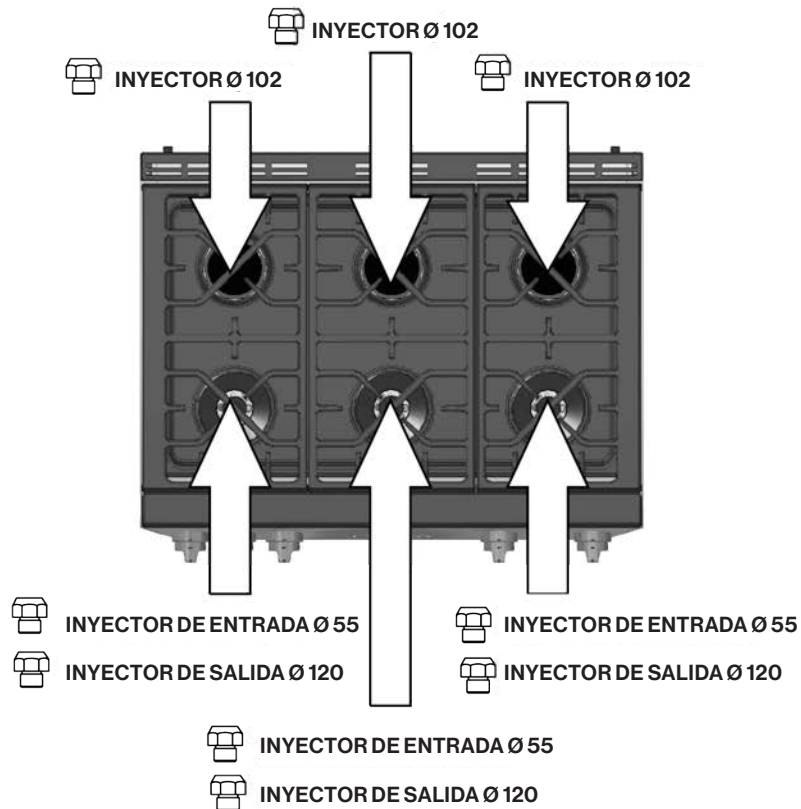
POSICIÓN DE LOS INYECTORES DE GAS LP

Rangetop de 30"



Por favor, tenga en cuenta que el quemador doble está equipado con dos inyectores de salida con el mismo diámetro;

Rangetop de 36"



Ajuste a fuego bajo

ADVERTENCIA

Encender los quemadores de gas con fósforos es peligroso.

Solo encienda los quemadores con fósforos en caso de emergencia. Encienda un fósforo y mantenga la llama cerca del quemador que desea encender. Los fósforos de madera funcionan mejor.

Pulse y gire el botón de control lentamente.

Asegúrese de girar el botón correcto para el quemador que desea encender.

NOTA: Si el quemador no se enciende durante cinco segundos, apague el botón y espere un minuto antes de intentarlo de nuevo.

PELIGRO

Si intenta medir el cono interior de la llama, se ruega prestar atención.

Se pueden producir quemaduras.

Este dispositivo se envía de fábrica con la configuración de fuego medio o bajo ajustada. Si es necesario un ajuste posterior, proceda de la siguiente manera:

Ajuste para Quemadores con uno o dos anillos de llama:

- 1) Encienda el quemador y configure el botón de control para la llama baja.
- 2) Retire el botón de control del vástago de la válvula.
- 3) Introduzca un destornillador fino en el hueco detrás del botón de control (Figura 2 para llama simple y Figura 3 para llama doble) y enganche la cuchilla con la ranura en el tornillo de ajuste. (A llama simple; B llama doble).
- 4) Gire el tornillo de ajuste para configurar el tamaño de la llama:
 - En sentido horario para reducir
 - En sentido antihorario para aumentar
- 5) Sustituya el botón de control al completar el ajuste.

ADAPTACIÓN DE GAS NATURAL A GAS LÍQUIDO

Introduzca un destornillador en el agujero en la pared frontal del panel del instrumento y gire el tornillo de regulación A en sentido horario. El ajuste adecuado producirá una llama azul estable y constante de tamaño mínimo.

El ajuste final debe comprobarse girando el botón de arriba a abajo varias veces sin apagar la llama. Este ajuste, configuración baja, proporcionará automáticamente el tamaño de llama adecuado para la configuración media.

Tras completar los pasos de adaptación, compruebe la apariencia de cada llama del quemador para las configuraciones de HI y LO, si la llama aparece demasiado larga o demasiado pequeña, revise cada paso para asegurarse de que se completan correctamente.

NOTA: Para obtener la configuración correcta mínima con gas LP, gire en sentido horario apretando la(s) válvula(s) totalmente con el destornillador fino en el hueco detrás del botón de control (A y/o B).

- 1) Retire el botón de control del vástago de la válvula.
- 2) Introduzca un destornillador fino en el hueco detrás del botón de control y enganche la cuchilla con la ranura en el tornillo de ajuste A de la llama simple.

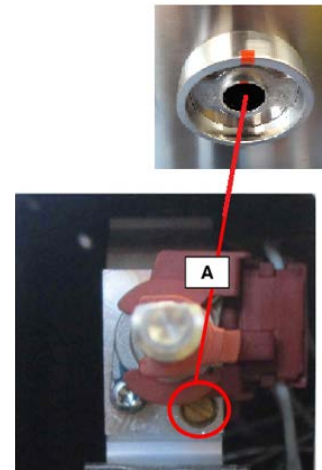


Figure 2: Tapa del quemador con llama simple

AJUSTE PARA QUEMADORES CON UNO O DOS ANILLOS DE LLAMA:

- 1) Retire el botón de control del vástago de la válvula.
- 2) Introduzca un destornillador fino en el hueco detrás del botón de control y enganche la cuchilla con la ranura en el tornillo de ajuste B de la llama doble.

Para ajustar el tornillo C, el procedimiento es diferente:

- 1) Gire el botón 90° (posición máx.);
- 2) Quite el botón de control de dicha posición.
- 3) Introduzca un destornillador fino en el hueco detrás del botón de control y enganche la cuchilla con la ranura en el tornillo de ajuste C de la llama doble.

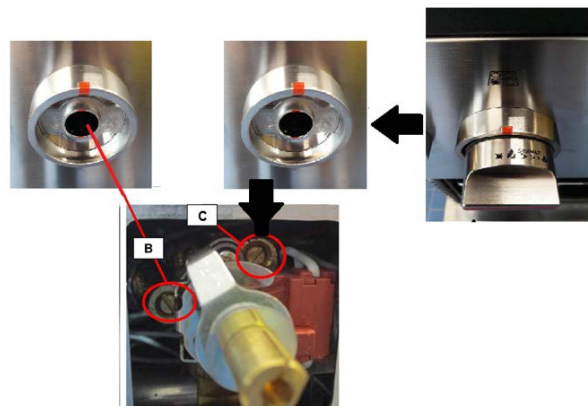


Figure 3: Tapa del quemador con llama doble

ENCENDIDO ELÉCTRICO DEL GAS

Los quemadores de gas usan un dispositivo de encendido eléctrico situado cerca de cada quemador que garantiza que los quemadores se enciendan automáticamente.

PELIGRO

Encender los quemadores de gas con fósforos es peligroso.

Solo encienda los quemadores con fósforos en caso de emergencia. Encienda un fósforo y mantenga la llama cerca del quemador que desea encender. Los fósforos de madera funcionan mejor.

Pulse y gire el botón de control lentamente.

Asegúrese de girar el botón correcto para el quemador que desea encender.

Las llamas del quemador

Encienda cada quemador. Las llamas deben ser de color azul sin rastro de amarillo. Las llamas del quemador no deberían ondear o soplar lejos del quemador. El cono interno de la llama debe ser entre 1/2" y 3/4" de largo.

ADVERTENCIA

No repare o sustituya ninguna pieza del dispositivo a menos que se especifique como recomendado en el manual. El resto de servicios debería realizarlo un técnico cualificado. Esto podría reducir el riesgo de lesión personal y de daño al dispositivo. Nunca modifique o altere la construcción del dispositivo retirando los paneles, las cubiertas de cables, los tornillos, o cualquier otra parte del producto.

Instrucciones para el ajuste de la altitud

⚠ ADVERTENCIA

Los ajustes de la válvula debe realizarlos un técnico cualificado. Podrían producirse daños en la unidad.

PASO 1

Estas instrucciones se usan para ajustar las cocinas y las partes superiores de las mismas para su funcionamiento en altitudes elevadas, si fuera necesario.

Información importante para el instalador:

Es importante que lo descrito a continuación se realice ANTES de llevar a cabo los ajustes en el dispositivo.

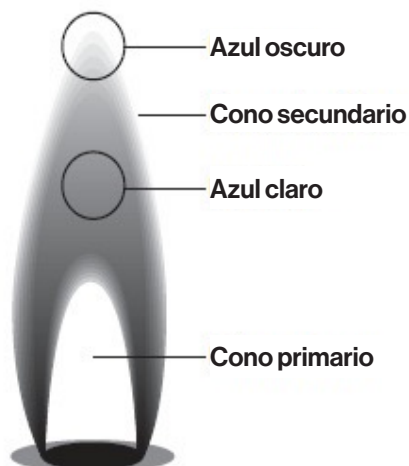
- Guarde estas instrucciones con el dispositivo después de finalizar la instalación.
- Lea y siga todos los requisitos de seguridad escritos en el Manual de instalación antes de proceder con la misma.
- Asegúrese de que el dispositivo está instalado y que se han completado todos los pasos requeridos por el Manual de Instalación.
- Cocinas de Dual Fuel adaptadas para Gas Propano (LP)

En primer lugar, el dispositivo debe adaptarse para el uso con Gas propano (LP) antes de poder adaptarlo para el uso a gran altitud. Se requiere que un Profesional Certificado instale el equipo de Adaptación al propano (LP).

PASO 2

- 1) Gire el botón de control del quemador a HI.
 - Una vez que el aire ha sido purgado de las líneas de suministro, el quemador debería encenderse durante cuatro segundos.
- 2) Compruebe que las llamas son estables, sin ruido excesivo.
 - Los conos internos de las llamas simples deben definirse y separarse de una de otra. La llama, a lo largo del quemador, no debe mostrar indicaciones excesivas o continuas de “dispersión” o “llama tenue”.

NOTA: Es normal que las llamas se vuelvan ligeramente amarillas al aparecer tras unos minutos de funcionamiento utilizando Gas Propano (LP). Las trazas anaranjadas en la llama se producen por la quema de desechos en suspensión en el aire; esto es normal durante el arranque inicial y debe disiparse tras unos minutos de funcionamiento.



- 3) Ajuste de la válvula de control del quemador en MIN para observar que la llama continúa envolviendo el quemador. Sóplele a la llama, o realice un movimiento rápido con el ventilador, un cuaderno o un trozo de cartón para extinguir la llama. Observe la capacidad del quemador para reavivar y envolverlo (también llamado “carry over”) en unos segundos. Esta llama “carry-over” es esencial para encender y reavivar el quemador pertinente.
- 4) Si el rendimiento de la llama no es aceptable sería necesario reajustar el tornillo de la válvula (fig. 2 y 3 en la página 34) para un quemador que no tiene suficiente “carry-over” de la llama.

PASO 3

ADVERTENCIA

Antes de proceder con el ajuste, APAGUE EL SUMINISTRO DE GAS EN EL DISPOSITIVO ANTES DE DESCONECTAR LA FUENTE ELÉCTRICA.

Si no se sigue al pie de la letra la información de este manual, podría producirse un incendio o descarga provocando daños a objetos o lesiones personales.

Destornillador para el ajuste del tornillo de la válvula:

Se usa un destornillador de cabeza plana para recolocar los tornillos de la válvula para un ajuste de flujo mínimo en los tiradores.

Ajuste de los tornillos de la válvula en las cocinas:

- 1) CIERRE EL SUMINISTRO DEL GAS EN EL DISPOSITIVO Y DESCONECTE LA FUENTE DE ALIMENTACIÓN ELÉCTRICA.
- 2) Retire el tirador del vástago de la válvula tirando lentamente del tirador hacia afuera, lejos del panel de control.
- 3) Para las cocinas de Gas Natural, tenga en cuenta que la posición original de la ranura en el tornillo de la válvula. Esto puede realizarse colocando el filo del destornillador en la ranura del tornillo y marcando el mango del destornillador para indicar la posición inicial del tornillo de la válvula. Con el destornillador aún enganchado, gire con cuidado el tornillo de la válvula en sentido antihorario (CCW) 1/4 de giro (o 90 grados) de su posición original. Repita este procedimiento para ajustar la configuración de cada tornillo de cada válvula. Para las cocinas de gas LP o un dispositivo que ha sido adaptado para gas LP, rara vez se necesita un ajuste.
- 4) Active la alimentación eléctrica y de gas en el dispositivo. Vuelva a examinar las llamas. Si es necesario un ajuste posterior, repita los pasos 1 a 3.

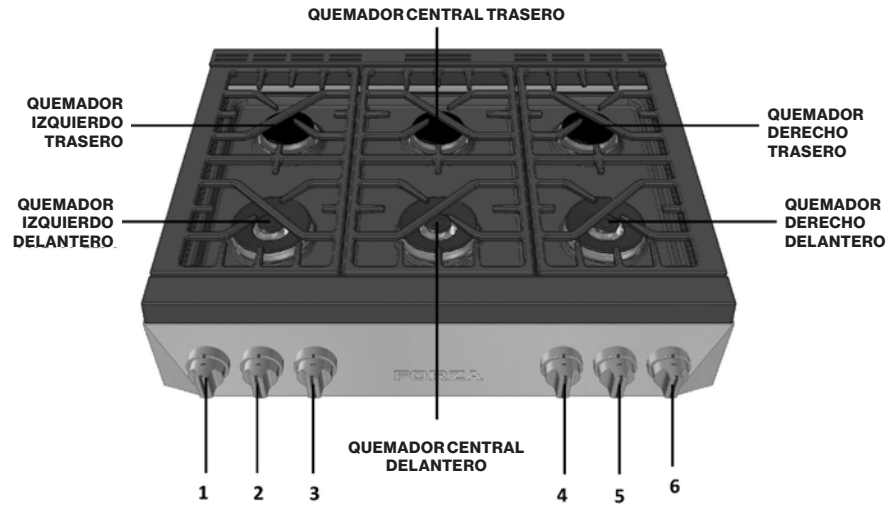
Datos técnicos

Características de la placa de cocción de 30"



BOTÓN	QUEMADOR DE LA PLACA DE COCCIÓN MODELO DE 30"	CALIFICACIONES DEL QUEMADOR DE SALIDA: BTU/HR NG (Gas Natural), 5" W.C.P.	CALIFICACIONES DEL QUEMADOR DE SALIDA: BTU/HR LP (Propano) Gas, 10" W.C.P.
1	Quegador izquierdo trasero	12,000 btu/h	12,000 btu/h
2	Quegador izquierdo delantero	20,000 btu/h	20,000 btu/h
3	Quegador derecho delantero	20,000 btu/h	20,000 btu/h
4	Quegador derecho trasero	12,000 btu/h	12,000 btu/h

Características de la placa de cocción de 30"



BOTÓN	QUEMADOR DE LA PLACA DE COCCIÓN MODELO DE 36"	CALIFICACIONES DEL QUEMADOR DE SALIDA: BTU/HR NG (Gas Natural), 5" W.C.P.	CALIFICACIONES DEL QUEMADOR DE SALIDA: BTU/HR LP (Propano) Gas, 10" W.C.P.
1	Quemador izquierdo trasero	12,000 btu/h	12,000 btu/h
2	Quemador izquierdo delantero	20,000 btu/h	20,000 btu/h
3	Quemador central delantero	20,000 btu/h	20,000 btu/h
4	Quemador central trasero	12,000 btu/h	12,000 btu/h
5	Quemador derecho delantero	20,000 btu/h	20,000 btu/h
6	Quemador derecho trasero	12,000 btu/h	12,000 btu/h

Lista de control del instalador

- Las distancias específicas se mantienen en las superficies del armario.
- Nivel de la unidad - de delante a atrás y de lado a lado.
- Las tapas del quemador están colocadas correctamente en las bases del quemador.
- Eliminado todo el material de embalaje.
- Acople un embellecedor de Isla según las instrucciones.
- Compruebe la llama de cada quemador. La llama podría necesitar quemar durante varios minutos para retirar impurezas de las líneas de gas.
- Compruebe que las características mínimas funcionan y la llama envuelve todo el quemador.

Suministro de gas

- Conexión: 1/2" N.P.T. con un mínimo de 3/4" de la línea flexible del diámetro - longitud sugerida cuatro (4) ft., dependiendo de las normativas locales.
- El dispositivo se conecta solo al tipo de gas para el que ha sido certificado su uso.
- Válvula manual de cierre del gas instaladas en una ubicación accesible (sin necesidad de quitar la cocina).
- Unidad probada y sin fugas de gas.
- Si se usa gas propano, asegúrese de que el suministro del mismo disponga de su propio regulador de alta presión, además del regulador de presión suministrado con el dispositivo.
- La presión del suministro de gas no excede de 14" de WC. (34.9 milibares).

Funcionamiento

- Los biseles están centrados en los botones del quemador, y los botones giran libremente.
- Cada quemador se enciende correctamente, tanto de uno en uno como con otros funcionando al mismo tiempo.
- Las parrillas del quemador están colocadas correctamente, niveladas y equilibradas.

Sistema eléctrico

- Se suministra el receptáculo con la protección correcta para la sobretensión mediante conexión del cable de alimentación.
- Conexión a tierra adecuada.
- Polaridad adecuada en el receptáculo.

