

## IMPORTANT SAFETY INSTRUCTIONS



**READ AND SAVE THESE INSTRUCTIONS** – Your Safety And the Safety of Others Are Very Important. We have provided many important safety messages throughout this manual and on your appliance. Read all instructions before using your appliance and always obey all safety messages.



### RECOGNIZE SAFETY INFORMATION

This is a safety alert symbol. This symbol alerts you to potential hazards that can kill or hurt you and others.

### UNDERSTAND SIGNAL WORDS

A signal word – DANGER, WARNING, or CAUTION – is used with the safety-alert symbol. DANGER identifies the most serious hazards. It means you can be killed or seriously injured if you do not immediately follow instructions. WARNING means you can be killed or seriously injured if you do not follow instructions. CAUTION indicates a potentially hazardous situation which, if not avoided, may result in minor or moderate injury.

All safety messages will inform you as to potential hazards, inform you on how to reduce the risk of injury and as to what can occur if the instructions are not followed.

**IMPORTANT: Observe all government codes and ordinances.**

**WARNING: For your safety, the information in this manual must be followed to minimize the risk of fire or explosion, or to prevent property damage, personal injury or death.**

- This conversion kit must be installed by a qualified service agency in accordance with the manufacturer's instructions and all applicable codes and requirements of the authority having jurisdiction.
- The qualified service agency is responsible for the proper installation of this kit.
- The installation shall not be considered to be correct and completed until the operation of the converted appliance is checked as specified in the manufacturer's instructions supplied with this kit.



### WARNING



### FIRE HAZARD

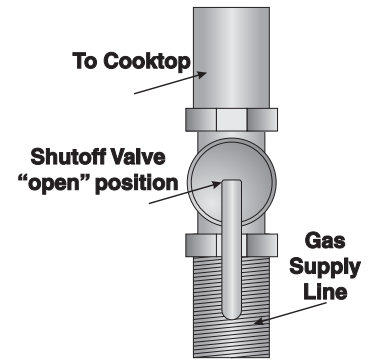
Securely tighten all gas connections. If connected to LP, have a qualified person ensure that the gas pressure does not exceed 14" water column. Examples of a qualified person include licensed heating personnel, authorized gas company personnel, and authorized service personnel.

**FAILURE TO DO SO CAN RESULT IN DEATH, EXPLOSION, OR FIRE.**



1)

Check that the main gas supply line to the range is shut off and that the power supply cord is disconnected.



2)

Remove access cap "A" by using a screwdriver or a quarter, turning the access cap anti-clockwise. The gas pressure regulator has two settings which are indicated on two sides of the cap. Turn the cap and reinstall it in the regulator with "LP" visible from the outside of the regulator.

The regulator must be checked at a minimum water column of 1 inch (2.5 cm) above the set pressure. The inlet pressure to the regulator should be as follows for operation and checking the regulator setting: - NATURAL GAS: Set pressure at 6" (15.2 cm). Supply pressure of 7-14" (17.8 cm to 35.5 cm) maximum; - LP GAS: Minimum pressure of 10" (25.4 cm). Supply pressure of 14" (35.5 cm).



The cooktop must be isolated from the gas supply piping system by closing the respective manual shut-off valve during any pressure testing of the gas supply piping system at test pressures equal to or greater than 1/2 psig (3.5 kPa).



## Conversion Kit

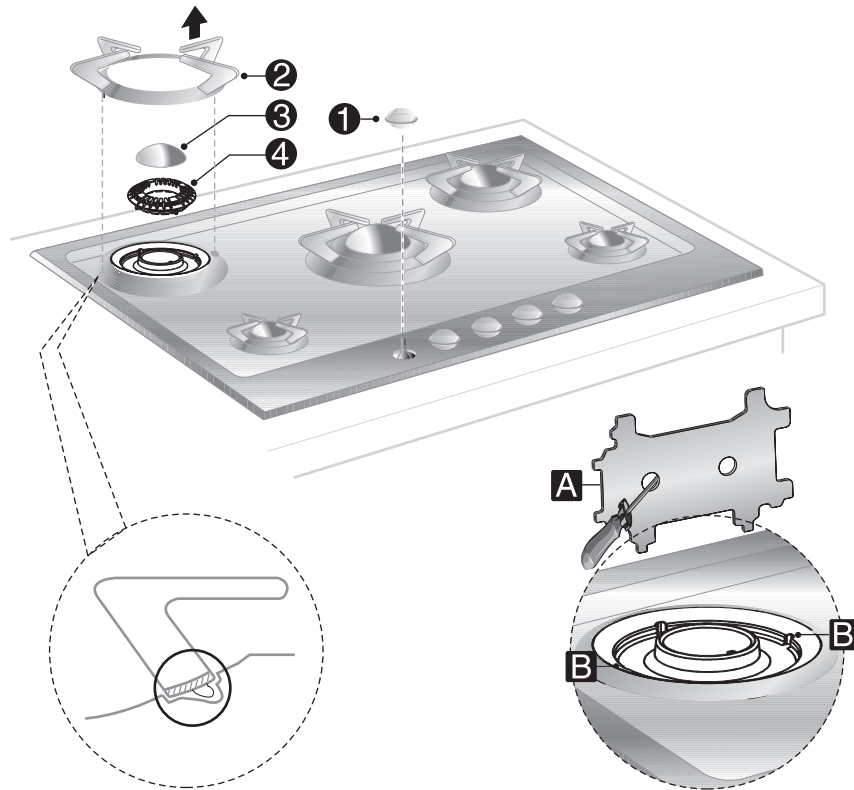
EN

3)

Remove all the burner components following the numerical sequence shown in the figure:

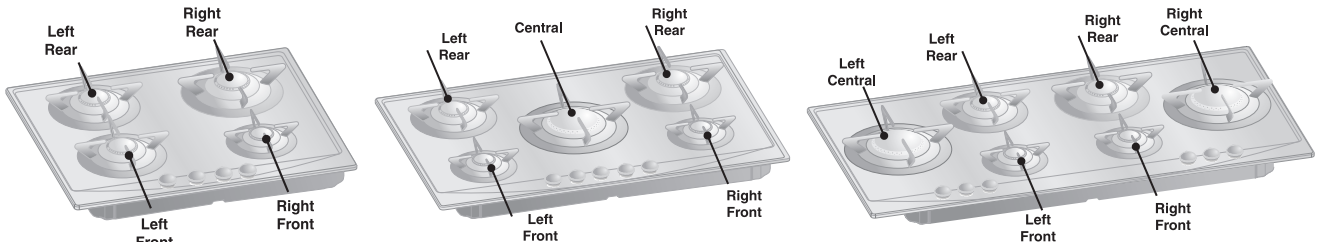
- remove all the knobs (1) by pulling them upward
- remove the grids (2), lifting up **one of the two horizontal spokes**
- remove the burner caps (3) and flame caps (4)
- with wrench **A** (available from authorized service centers), open the bayonet clamps on the burner rings by levering on guides **B**

After having removed all of the above-described components, lift the surface to gain access to the burners and gas taps.





**4)** To adjust the cooktop for LP gas or to return to Natural Gas use, refer to the tables here below.



PU 64 - Natural gas			
	Qt	Injector	Qr
	BTU	Ø mm	BTU
Front Right	3800	0.82	1500
Front Left	5200	0.95	1800
Rear Right	10000	1.30	4000
Rear Left	7200	1.13	3000

PU 64 - LP				
	Qt	Injector	Qr	Qr
	BTU	Ø mm	BTU	BTU
Front Right	4000	0.60	1500	0.40
Front Left	5400	0.67	1800	0.40
Rear Right	10300	0.95	4000	0.58
Rear Left	7300	0.78	3000	0.50

PU 75 - Natural gas			
	Qt	Injector	Qr
	BTU	Ø mm	BTU
Front Right	3800	0.82	1500
Front Left	3800	0.82	1500
Central	12000	1.30	4000
		0.71	
Rear right	5200	0.95	1800
Rear left	7200	1.13	3000

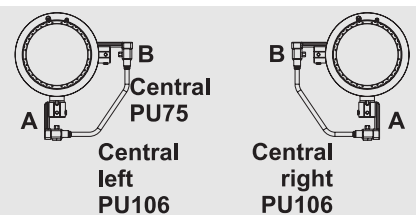
PU 75 - LP				
	Qt	Injector	Qr	Qr
	BTU	Ø mm	BTU	BTU
Front Right	4000	0.60	1500	0.40
Front Left	4000	0.60	1500	0.40
Central	11500	0.87	4000	0.58
		0.48		
Rear right	5400	0.67	1800	0.40
Front Left	7300	0.78	3000	0.50

PU 75 - Natural gas			
	Qt	Injector	Qr
	BTU	Ø mm	BTU
Central right	12000	1.30	4000
		0.71	
Central left	12000	1.30	4000
		0.71	
Front Right	3800	0.82	1500
Front Left	3800	0.82	1500
Rear Right	7200	1.13	3000
Rear Left	5200	0.95	1800

PU 75 - LP				
	Qt	Injector	Qr	Qr
	BTU	Ø mm	BTU	BTU
Central right	11500	0.87	4000	0.58
		0.48		
Central left	11500	0.87	4000	0.58
		0.48		
Front Right	4000	0.60	1500	0.40
Front Left	4000	0.60	1500	0.40
Rear Right	7300	0.78	3000	0.50
Rear Left	5400	0.67	1800	0.40



**NOTE:** For reference parameters **A** and **B** on the central left and the central right burners, see drawings on the right.



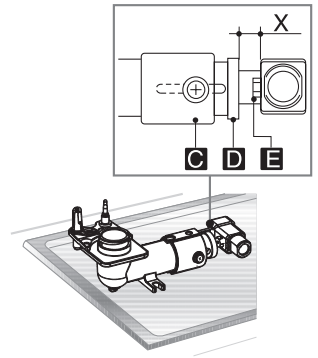


## Conversion Kit

EN

5)

Loosen screw **C** and push air regulator **D** to the bottom.  
 With a 7-mm wrench, remove nozzle **E** and replace it with the proper one (follow the instructions on the reference tables for the type of gas to be used).  
 The torque wrench setting for the nozzle must not exceed **3 Nm**.  
 Regulate the air by sliding regulator **D** until reaching distance "X" as described in paragraph 6.  
 Lock regulator **D** by tightening screw **C**.



6)

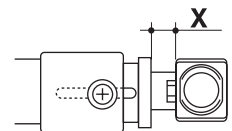
Referred to distance "X" in mm.

PU 64 – Natural gas		Air Shutter
Front right		$\frac{2}{10}$ " - 5 mm
Front left		$\frac{3}{16}$ " - 4.5 mm
Rear right		$\frac{1}{8}$ " - 3 mm
Rear left		$\frac{5}{32}$ " - 3.5 mm

PU 64 – LP		Air Shutter
Front right		$\frac{3}{8}$ " - 10 mm
Front left		$\frac{1}{10}$ " - 2.5 mm
Rear right		$\frac{1}{10}$ " - 2.5 mm
Rear left		$\frac{1}{8}$ " - 3 mm

PU 75 – Natural gas			Air Shutter
Front right			$\frac{2}{10}$ " - 5 mm
Front left			$\frac{2}{10}$ " - 5 mm
Central	A		$\frac{1}{2}$ " - 13 mm
	B		$\frac{1}{2}$ " - 13 mm
Rear right			$\frac{3}{16}$ " - 4.5 mm
Rear left			$\frac{5}{32}$ " - 3.5 mm

PU 75 – LP			Air Shutter
Front right			$\frac{3}{8}$ " - 10 mm
Front left			$\frac{3}{8}$ " - 10 mm
Central	A		$\frac{9}{16}$ " - 14 mm
	B		$\frac{9}{16}$ " - 14 mm
Rear right			$\frac{1}{10}$ " - 2.5 mm
Rear left			$\frac{1}{8}$ " - 3 mm



PU 106 – Natural gas			Air Shutter
Front right			$\frac{2}{10}$ " - 5 mm
Front left			$\frac{2}{10}$ " - 5 mm
Central left-right	A		$\frac{1}{2}$ " - 13 mm
	B		$\frac{5}{8}$ " - 15 mm
Rear right			$\frac{5}{32}$ " - 3.5 mm
Rear left			$\frac{3}{16}$ " - 4.5 mm

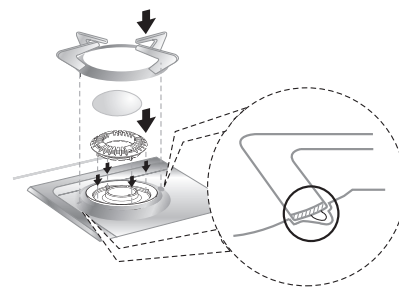
PU 106 – LP			Air Shutter
Front right			$\frac{3}{8}$ " - 10 mm
Front left			$\frac{3}{8}$ " - 10 mm
Central left-right	A		$\frac{9}{16}$ " - 14 mm
	B		$\frac{9}{16}$ " - 14 mm
Rear right			$\frac{1}{8}$ " - 3 mm
Rear left			$\frac{1}{10}$ " - 2.5 mm



Refit the crowns, flame caps and grids on the cooktop in the following order:

7)

- 1 Fit the crowns, ensuring that they are perfectly locked into their housing on the cooktop.
- 2 Fit the flame caps on the crowns, ensuring that the edges match perfectly.
- 3 Fit the grids, making sure to fasten the side spokes in the special "A" seats found on the cooktop.



These procedures must be repeated for each burner on the cooktop.

Caution: refit all flame caps in the same points from which they were removed. In fact, it is not possible to change the flame cap positions. After refitting them, ensure that they are perfectly in place and that there is no clearance between the cooktop and the flame caps.

8)

Complete steps 3, 5 and 6 for each burner on the cooktop.

#### FIRE HAZARD



#### WARNING



- Use a soapy solution to check for proper tightness.
- Never test for gas leaks with a match or other flames.
- Failure to follow this instruction can result in death or fire



9)

Leak testing of the appliance must be conducted according to the following instructions: Use a brush and liquid detergent to test all gas connections for leaks. Bubbles around connections indicate a leak. If a leak appears, shut off gas valve controls and adjust connections. Then check the connections again.

#### NEVER TEST FOR GAS LEAKS WITH A MATCH OR OTHER FLAMES.

Remove all of the detergent solution from the cooktop.

#### Electronic Ignition System - initial lighting

Cooktop burners use electronic igniters rather than standing pilots. When the cooktop control knob is pushed in and turned to the "🔹" position, the system lights a spark to ignite the burner. This sparking continues until the control knob is turned to the desired setting.



10)

Check the operation of the cooktop burners. Push in and turn each control knob to the maximum flame position (🔹). The flame should light within 4 seconds.


If the burners do not light properly, turn the control knob to the 🔹 position. Ensure that the burner cap is in the proper position. Ensure that the power supply cord is plugged in and that the circuit breaker or house fuse has not blown. Ensure that the shut-off valve is on the "ON" position. Check operation again. If a burner does not light at this point, contact your SMEG dealer for assistance.



## Conversion Kit

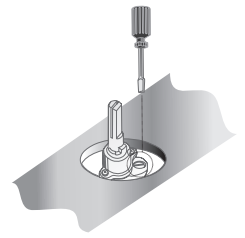
EN

Replace the components on the burner and turn the knobs on the gas tap pins.

Light the burner and set it at minimum .

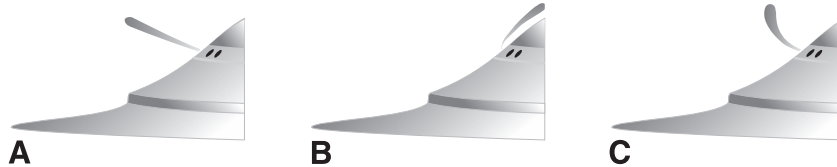
Remove the knob and turn the regulation screw inside or next to the gas tap pin (depending on the model) until you obtain a suitable minimum flame.

Replace the knob and check flame stability by rapidly turning the knob from maximum to minimum. The flame should not go out.



If the flame appears as shown in the diagram after air setting:

11)




the following adjustments must be made:

**A:** the flame is noisy and unstable and blows away from the burner, the primary air intake is open too far.

**B:** the flame is cloudy and dull or has yellow dots and wraps round the burner, the primary air intake is closed too far.

**C:** the flame is blue, clear and stable and does not blow away from or wrap around the burner, the air is set correctly.

12)

Check flame at the maximum flame position () for a blue color. It should be clean and soft in character. No blowing or lifting of flame should occur. Occasional orange flashes are normal and reflect different elements in the air or gas.

13)

Completely fill out conversion label (part no. XXXXXXXX) and attach the label to the bottom of the cooktop beside the rating tag. Do not cover the rating tag with the conversion label.

14)

At higher altitudes, no further adjustments are necessary. Derating the burners is also unnecessary.

15)

Save the orifices removed from the unit along with these instructions for possible future use.

### NATURAL GAS:

To convert back to Natural Gas: Follow steps 3 through 11 and replace orifices in the order in which they were removed.