

KDU30X

Product family	Hood
Hood Type	Decorative wall hood
Design	Chimney
Extraction	Vented
Material	Stainless steel
Stainless steel type	Brushed
EAN code	8017709242046
Hood width	30 "



Aesthetic

Aesthetics	Classic	Finishing	Satin
Color	Stainless steel	Logo	Embossed



Controls

Control setting	Control knobs	Control knobs	Classic
No. of controls	2	Controls color	Stainless steel effect

Programs / Functions

Speed levels	4
--------------	---

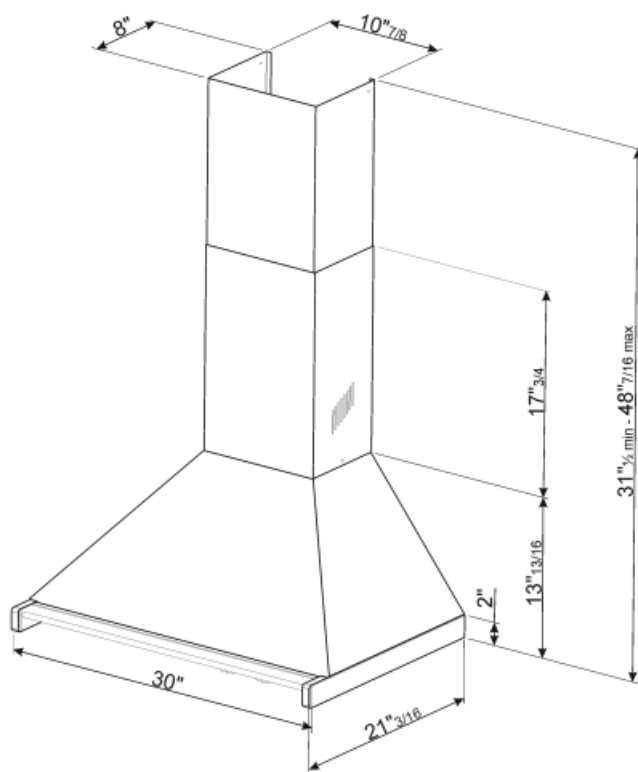
Technical Features

			
No. of lights	2	No. of filters	3
Lighting	Halogen	Anti-grease filters	Aluminum
Light power	20 W	Vent outlet	5 7/8 "
Light color temperature scale (°K)	3000 °K	Minimum distance from gas cooktop	650 "
Maximum extraction capacity at free mode	677 CFM	Minimum distance from electric cooktop	650 "
Motor power	455 W	Non-return valve	Yes

	Extraction rate [CFM]	Noise level [dBA]
Speed level 1	275.5	48
Speed 2	411.5	55
Speed 3	551	61
Speed level 4	665	69

Electrical Connection

Electrical connection rating	495 W	Frequency (Hz)	60 Hz
Voltage	120 V	Power supply cable length	1000 "



Not included accessories



KITCMNKD

Chimney extension dimension 202.8 *
276 * 800



FLTK-1

Round Charcoal filters (kit 2 pieces)



KITALLFC

Universal Charcoal filter Stainless Steel
AISI 304 The filter can be washed in
dishwasher 50 °C (water and suitable
detergent) and to dry it put in the oven
180°C 25 minutes

Symbols glossary (TT)



Filters: Model has filters to help remove grease from the steam emanating from the pans during cooking.



Lights: All cooker hoods feature lights to illuminate the cooking area or add to the ambience of the kitchen.