

FZU30L



Product family	Freezers
Installation	Built-in
Category	One Door
Reference width	70 - 80
Reference height	Higher than 200
Cooling type	No-frost
Hinge	Door-to-door
Hinge position	Left



Aesthetic

Aesthetics	Universal	Logo	Silkscreened
Material	Stainless steel	Drawers profile color	Silver
Side material	Metal	Display	TFT
Side color	Steel		

Freezer features



Freezer lighting	Yes
Freezer lighting	LED
Number of drawers	4

Other Freezer features

Ice maker	Automatico
-----------	------------

Other technical features



Display functions	Holiday, Fast-freezing, MultiZone, Sabbath	No. of compressors	1
Fast-freezing button	Yes	Refrigerant gas type	R600a
Power-on light	Yes	Type of compressor	Inverter
Door-open alarm	Yes	Refrigerant quantity	85 oz
Antibacterial Gasket	Yes	Foam agent	Other

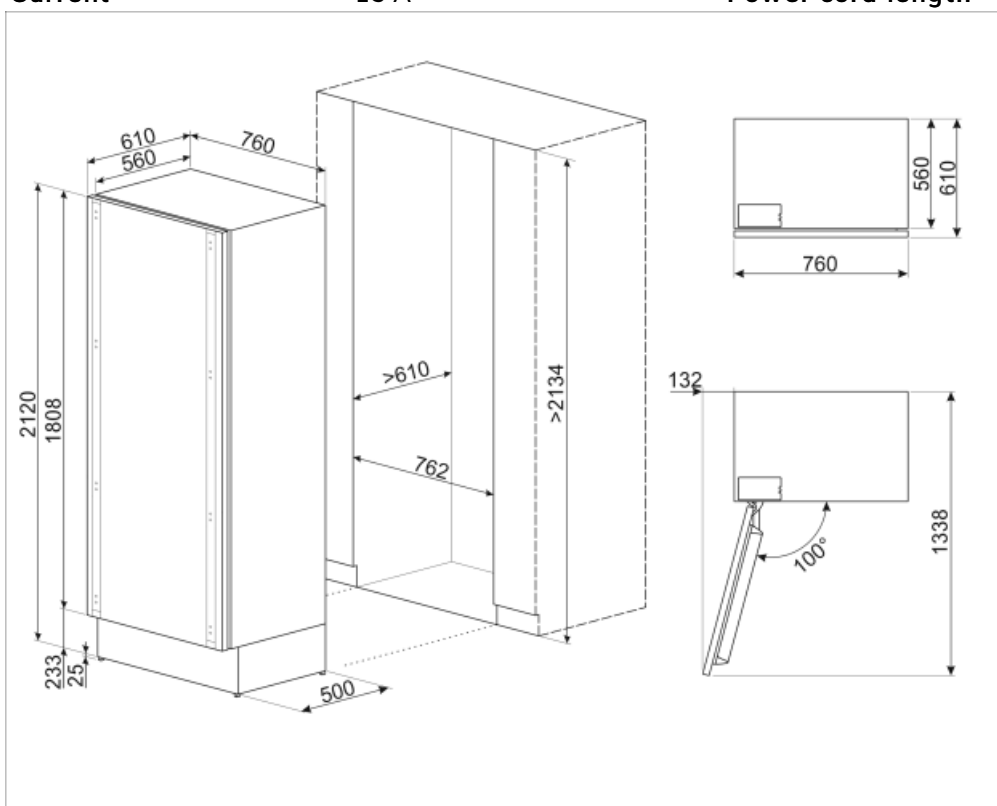
Type of temperature control Electronic

Performance / Energy Label NEW

Total volume 119.4 gal

Electrical Connection

Plug	(A) USA & Mexico	Voltage	115 V
Nominal power rating	344 W	Frequency (Hz)	50 Hz
Current	15 A	Power cord length	78 3/4 "



Symbols glossary (TT)



Fast freezing: The fast freezing function brings the temperature of the compartment down when activated a few hours prior to usage.



LED interior lighting: is a more energy efficient and long lasting way of illuminating the interior of the appliance.



Multizone: Multizone compartment can be used as a refrigerator or a freezer compartment. Depending on your needs and eating habits, you can select settings, program the temperature using.



Power saving mode: The power saving mode allows you to disable the refrigerator and keep the freezer working.



Inverter technology: The evolution of Smeg's driers towards more intelligent and environmentally sustainable models has led to the choice of using Inverter technology with heat pumps, which reduces significantly energy consumption.



No Frost: The No Frost and Frost free systems prevent ice from forming so that no defrosting is required.