



INSTALLATION INSTRUCTIONS

**Indoor Hearth Oven
ZEP30FR**

ENGLISH / FRANÇAIS./ ESPAÑOL.

Safety Information

Have a question or need assistance with your appliance? Try the Monogram website 24 hours a day, any day of the year! You can also shop for more great Monogram products and take advantage of all our on-line support services designed for your convenience. In the US: monogram.com or call 800.444.1845.

FOR YOUR SAFETY

- Be sure your oven is installed properly by a qualified installer or service technician.
- Be sure the oven is securely installed in a cabinet that is firmly attached to the house structure. Never allow anyone to climb, sit, stand or hang on the oven.
- Make sure the cabinets and wall coverings around the oven can withstand the temperatures (up to 200°F [93.3°C]) generated by the oven.

⚠ WARNING The electrical power to the oven supply line must be shut off while line connections are being made. Failure to do so could result in serious injury or death.

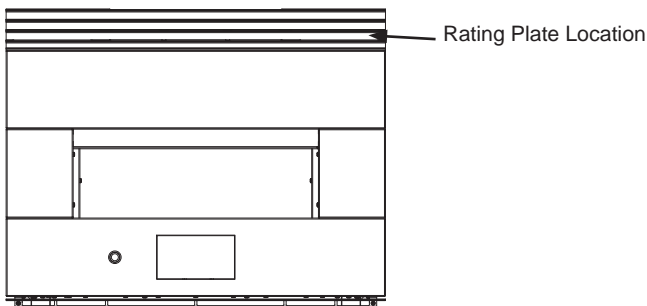
ELECTRICAL REQUIREMENTS

This appliance must be supplied with the proper voltage and frequency, and connected to an individual, properly grounded branch circuit, protected by a circuit breaker or fuse. See the rating plate located on the bottom of the front panel to determine the rating of the product. The chart below shows the minimum recommended dedicated circuit protection.

KW Rating 240V	KW Rating 208V	Required Circuit Size (Dedicated)
9.7 KW–12.0 KW	8.4 KW–10.4 KW	50 Amp

ELECTRICAL REQUIREMENTS

Rating plate is located on the top right of the front panel.



We recommend you have the electrical wiring and hookup of your oven connected by a qualified electrician. After installation, have the electrician show you how to disconnect power from the range.

ELECTRICAL REQUIREMENTS (Cont.)

Check with your local utilities for electrical codes which apply in your area. Failure to wire your oven according to governing codes could result in a hazardous condition. If there are no local codes, your oven must be wired and fused to meet the requirements of the National Electrical Code, NFPA No. 70–Latest Edition, available from the National Fire Protection Association.

Effective January 1, 1996, the National Electrical Code requires that new, but not existing, construction utilize a four-conductor connection to an electric oven. When installing an electric oven in new construction, a mobile home, recreational vehicle or an area where local codes prohibit grounding through the neutral conductor, follow the instructions in the section on NEW CONSTRUCTION AND FOUR-CONDUCTOR BRANCH CIRCUIT CONNECTION.

You must use a single-phase 120/208 VAC or 120/240 VAC, 60 hertz electrical system. If you connect to aluminum wiring, properly installed connectors approved for use with aluminum wiring must be used.

⚠ WARNING Installations with Aluminum House Wiring require attention:

- Improper connection of Aluminum house wiring to appliance copper leads can result in an electrical hazard or fire. Use only connectors designed for joining copper to aluminum and follow the manufacturer's recommend procedure closely.
- Aluminum to Copper wiring connections must conform with the National Electrical code, local codes and industry-accepted wiring practices.
- If an anti-oxidant compound is added to the wiring connectors, the compound should be UL-Listed and suitable for the application materials, voltage and temperature.
- Connectors for joining Aluminum and Copper wiring may be larger in size than standard connectors. It is recommended to use a double-gang, or larger, electrical box to enclose the connectors joining Aluminum and Copper wiring.

READ AND SAVE THESE INSTRUCTIONS

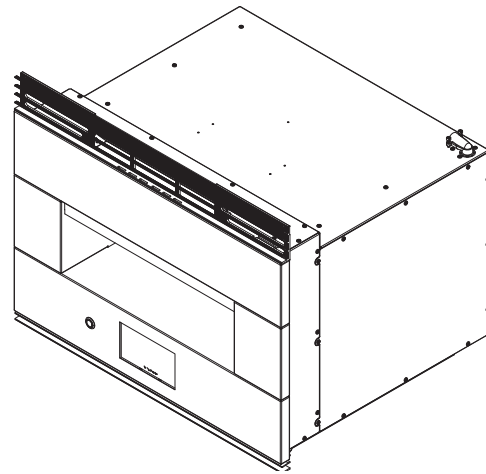
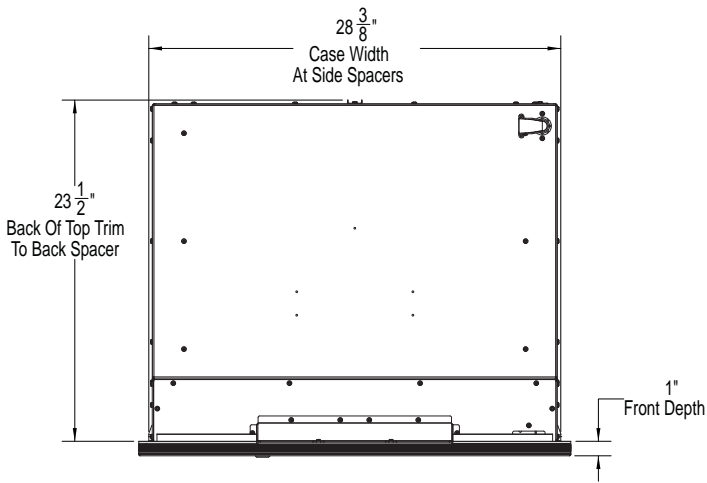
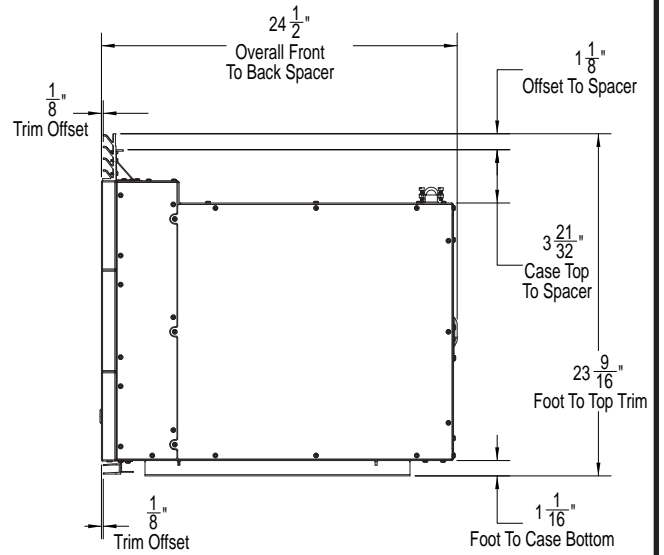
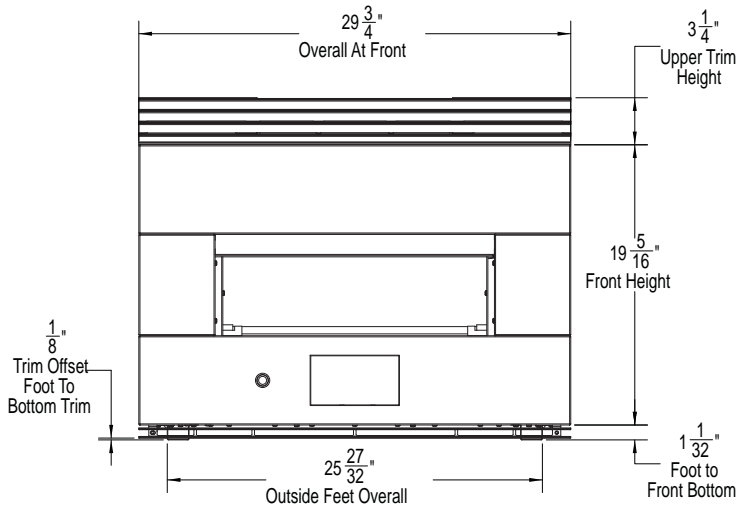
Contents

CONTENTS

Safety Information	2	1J: Hearth Oven Over Steam Oven – Flush-Inset Installation With A Minimum Gap Between.....	16
Design Information		1K: Hearth Oven Over Steam Oven –Standard Installation With A 2” Platform Between.....	17
Product Dimensions (With Trim)	4	1L: Hearth Oven Over Steam Oven – Flush-Inset Installation With A 2” Platform Between	18
Pre-Installation Checklist.....	5	1M: Hearth Oven Over Warming Drawer –Standard Installation With A Minimum Gap Between.....	19
Installation Information		1N: Hearth Oven Over Warming Drawer – Flush-Inset Installation With A Minimum Gap Between.....	20
Parts Included	6	1O: Hearth Oven Over Warming Drawer –Standard Installation With A 2” Platform Between.....	21
Materials Needed (not provided).....	6	1P: Hearth Oven Over Warming Drawer – Flush-Inset Installation With A 2” Platform Between.....	22
Tools Needed	6	1Q: Hearth Oven Platform For Minimum Gap Between Appliances: Dado & Mechanical Fastener Concept.....	23
Installation		1R: Hearth Oven Platform For Minimum Gap Between Appliances: Tenon & Mechanical Fastener Concept	24
1A: Cutout for Hearth Oven - Standard Installation.....	7	1S: Side-By-Side Combo Installation.....	25
1B: Hearth Oven - Flush Inset Installation.....	8	2. Electrical Connections.....	26
1C: Hearth Oven Over Wall Oven –Standard Installation With A Minimum Gap Between	9	3. Installing the Oven in the Cabinet.....	28
1D: Hearth Oven Over Wall Oven – Flush-Inset Installation With A Minimum Gap Between.....	10	PRE-TEST CHECKLIST	29
1E: Hearth Oven Over Wall Oven –Standard Installation With A 2” Platform Between	11	OPERATION CHECKLIST	29
1F: Hearth Oven Over Wall Oven – Flush Inset Installation With A 2” Platform Between	12		
1G: Hearth Oven Over French Door Wall Oven – Standard Installation With A Minimum Gap Between	13		
1H: Hearth Oven Over French Door Wall Oven – Standard Installation With A 2” Platform Between.....	14		
1I: Hearth Oven Over Steam Oven –Standard Installation With A Minimum Gap Between.....	15		

Design Information

PRODUCT DIMENSIONS (WITH TRIM)

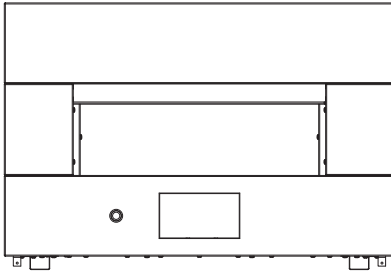


Design Information

PRE-INSTALLATION CHECKLIST

ALL INSTALLATION INFORMATION ON THE FOLLOWING PAGES IS TO BE USED FOR ELECTRIC INDOOR HEARTH OVEN INSTALLATION!

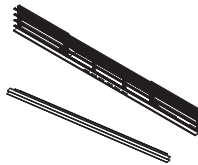
- Remove packaging materials and literature pack.



Hearth Oven



Literature Pack



Included Trim

- Remove Installation Instructions from literature pack and read them carefully before you begin.
Be sure to place all literature, Owner's Manual, Installations, etc. in a safe place for future reference.
- Place the oven on a table or platform even with the cutout opening. Platform must support 200 lbs. (91 Kg).

The Hearth Oven may be installed in a cabinet alone, above or next to approved models. See label on top of the oven for approved models or go to geappliances.com/combinations.

⚠ CAUTION Installing the oven below the minimum height of 45 inches creates a burn hazard for children. Do not install below the minimum height.

Installation Information

BEFORE YOU BEGIN

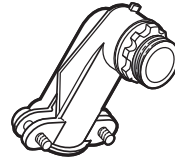
Read these instructions carefully and completely.

- **IMPORTANT** — Save these instructions for local inspector's use.
- **IMPORTANT** — Observe all governing codes and ordinances.
- **Note to Installer** – Be sure to leave these instructions with the consumer.
- **Note to Consumer** – Keep these instructions for future reference.
- Proper installation is the responsibility of the installer and product failure due to improper installation is NOT covered under warranty.
- **Note** – This appliance must be properly grounded.

ATTENTION INSTALLER

All electric wall ovens must be hard wired (direct wired) into an approved junction box. A plug and receptacle is NOT permitted on these products.

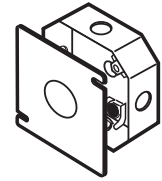
MATERIALS NEEDED



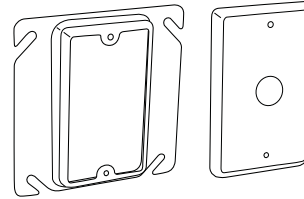
Option 1



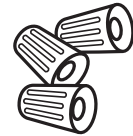
Option 2



Junction Box
(1 1/2 Depth Max.)



Plaster Ring and Cover
(Option 1)



Wire Nuts

PARTS INCLUDED

(Appearance will vary)



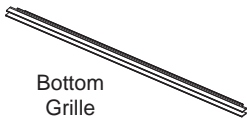
Top Grille
Assembly



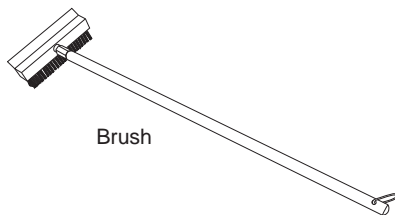
Upper &
Lower Grille
1/2" T20 Torx
(8)



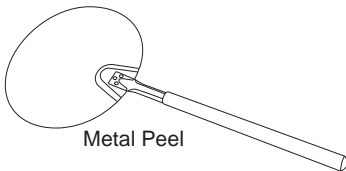
3/4" Phillips
Screws (2)



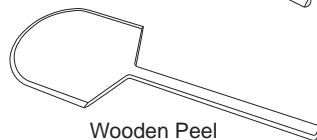
Bottom
Grille



Brush



Metal Peel



Wooden Peel

TOOLS NEEDED



Wire Strippers



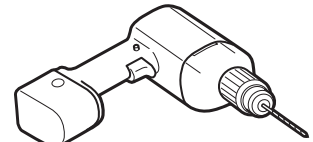
Phillips #2
Screwdriver



Flathead
Screwdriver



T20 Torx
Screwdriver

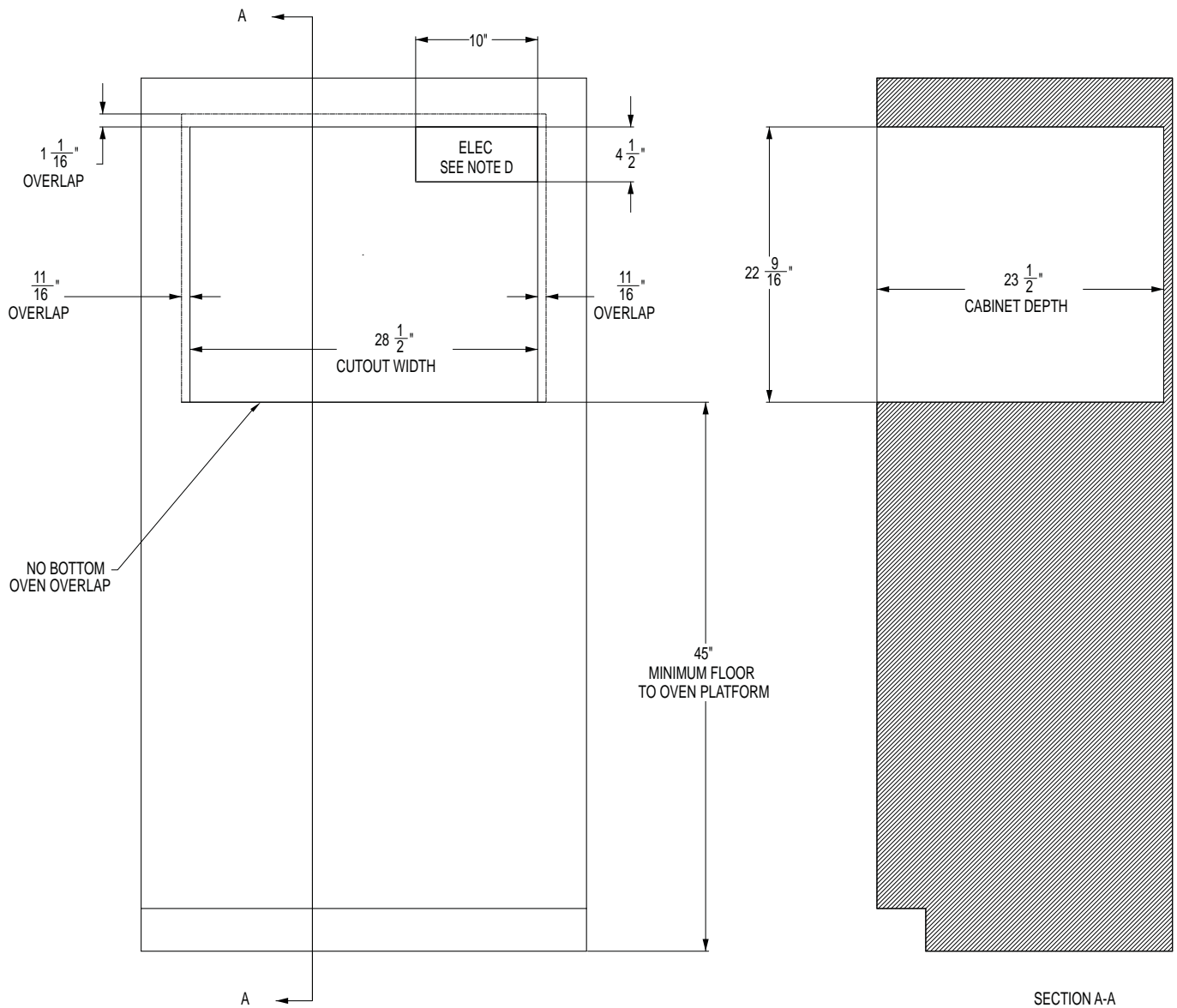


Drill and 3/32" drill bit

Installations

1 A HEARTH OVEN - STANDARD INSTALLATION

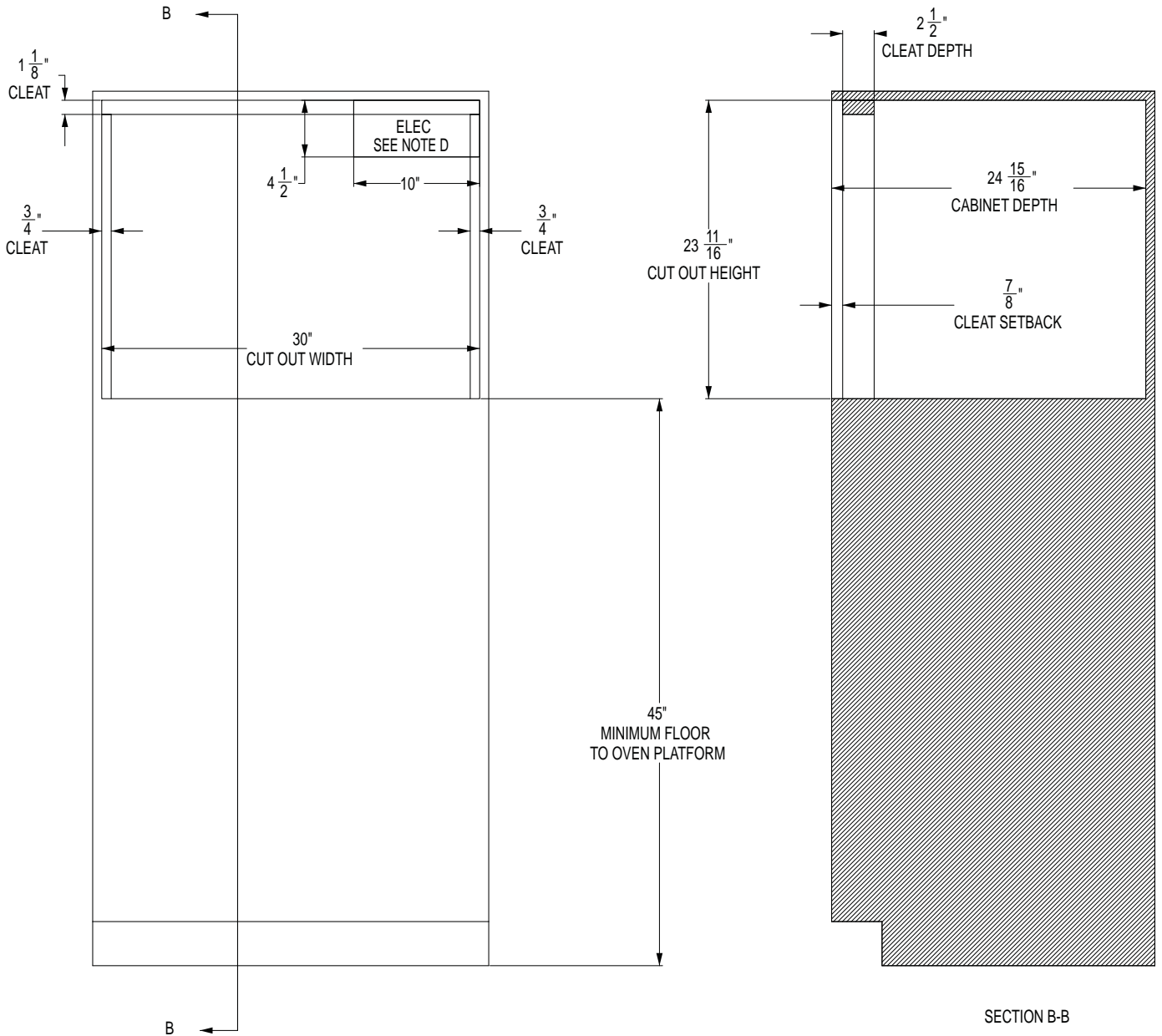
- A** 45" is the required minimum installation height. Oven may be installed higher based on owner preference.
- B** Platform must be able to support 200 lbs (91 kg).
- C** Solid enclosure required on the top, bottom, left side, right side and back. The back surface may be drywall. Advanced fabrication and assembly techniques are strongly encouraged to ensure precise cabinet squareness and parallelism.
- D** Junction box location: Must be flush with back surface so as not to extend into the 23-1/2" cabinet depth. Junction box may also be located in an adjacent cabinet.
- E** A flush appearance may be achieved relative to surrounding cabinet door and drawer fronts. A minimum 1/8" reveal BEYOND the OVERLAP dimensions is recommended.



Installations

1 B HEARTH OVEN - FLUSH INSET INSTALLATION

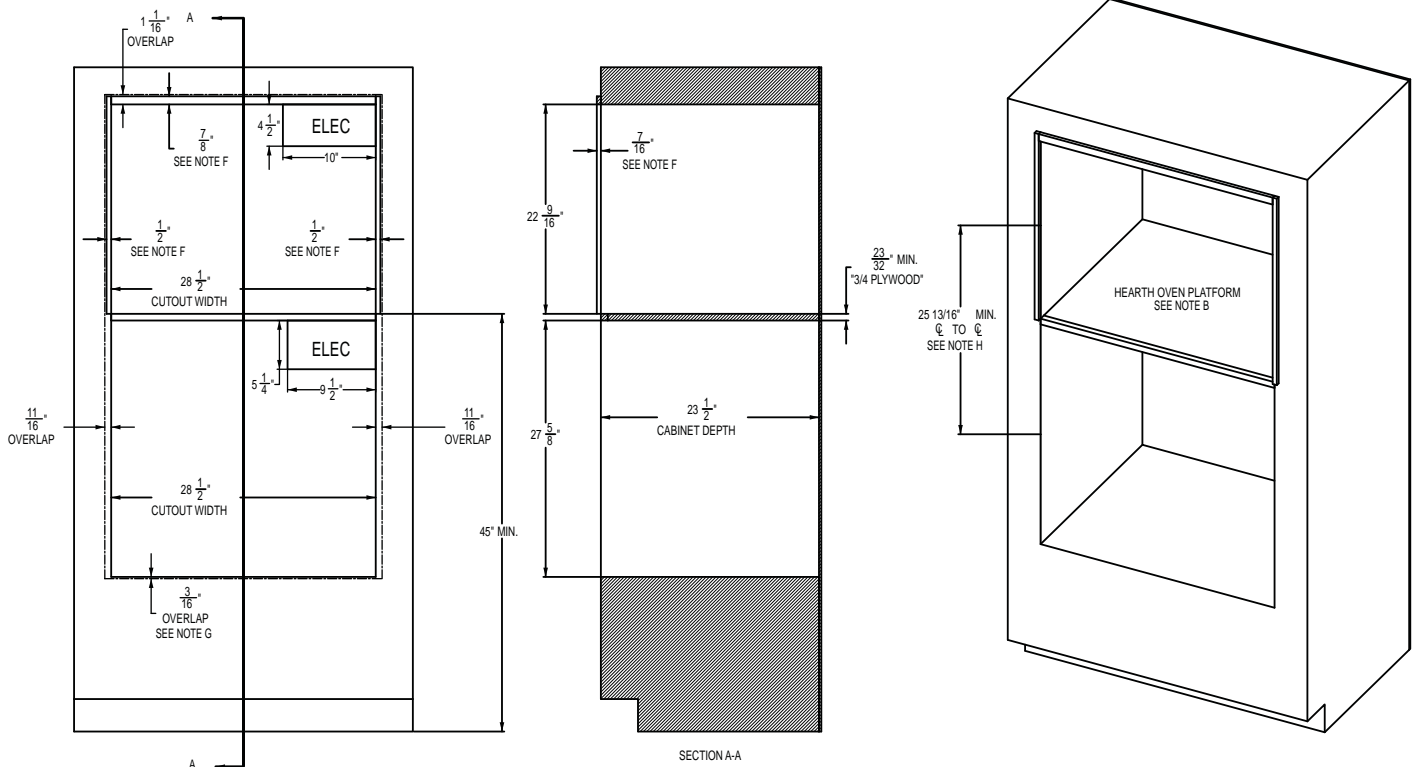
- A** 45" is the required minimum installation height. Oven may be installed higher based on owner preference.
- B** Platform must be able to support 200 lbs (91 kg).
- C** Solid enclosure required on the top, bottom, left side, right side and back. The back surface may be drywall. Advanced fabrication and assembly techniques are strongly encouraged to ensure precise cabinet squareness and parallelism.
- D** Junction box location: Must be flush with back surface so as not to extend into the 24-15/16" cabinet depth. Junction box may also be located in an adjacent cabinet.



Installations

1 C HEARTH OVEN OVER WALL OVEN –STANDARD INSTALLATION WITH A MINIMUM GAP BETWEEN

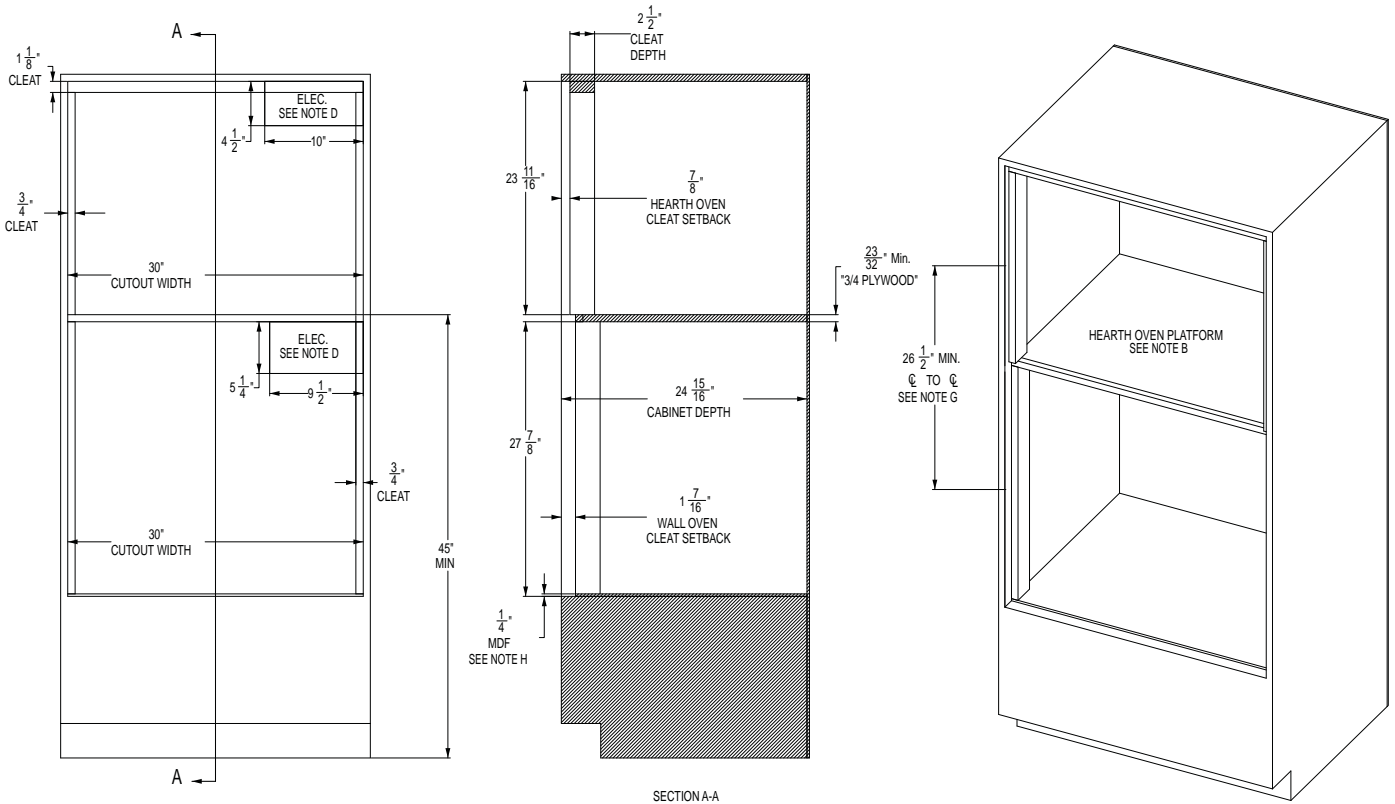
- A** 45" is the required minimum installation height. Oven may be installed higher based on owner preference.
- B** Hearth Oven Platform must be able to support 200 lbs. (91kg). For this installation, it is highly recommended to lock the platform into the side walls using wood joinery such as a Dado Joint. Fasteners and wood glue are also encouraged to further reinforce the locking wood joinery. The wood grain of the platform shall be oriented left to right. The front nose of the platform shall be a finished appearance surface. See illustrations 1Q & 1R for joinery concepts.
- C** Solid enclosure required on the top, bottom, left side, right side and back. The back surface may be drywall. Advanced fabrication and assembly techniques are strongly encouraged to ensure precise cabinet squareness and parallelism.
- D** Junction box location: Must be flush with back surface so as not to extend into the 23-1/2" cabinet depth. Junction box may also be located in an adjacent cabinet.
- E** A minimum 1/8" reveal BEYOND the OVERLAP dimensions is recommended for proper drawer and door operating clearance.
- F** Exterior cleats may be added to the sides and top of the Hearth Oven opening in order to bring the front surface of the Hearth Oven into alignment with the front surface of the wall oven below. Finish per customer requirements. A flat black finish may better match the side appearance of the oven below.
- G** For the LOWER WALL OVEN, an extruded aluminum LOWER VENT TRIM is encouraged. Wall oven models beginning with "ZTSX" already include the aluminum vent trim. For models beginning with "ZTS", the vent trim kit ZX30VT1 must be ordered which includes the aluminum vent trim and mounting hardware. Alternatively, the stainless-steel trim supplied with all models may be used in this cabinet configuration. Be sure to adjust the "overlap" dimension associated with the stainless-steel trim. Please call 1-800-626-2000 with any questions.
- H** The opening center line dimension is taken at the FRONT OPENING of each enclosure.



Installations

1 D HEARTH OVEN OVER WALL OVEN – FLUSH-INSET INSTALLATION WITH A MINIMUM GAP BETWEEN

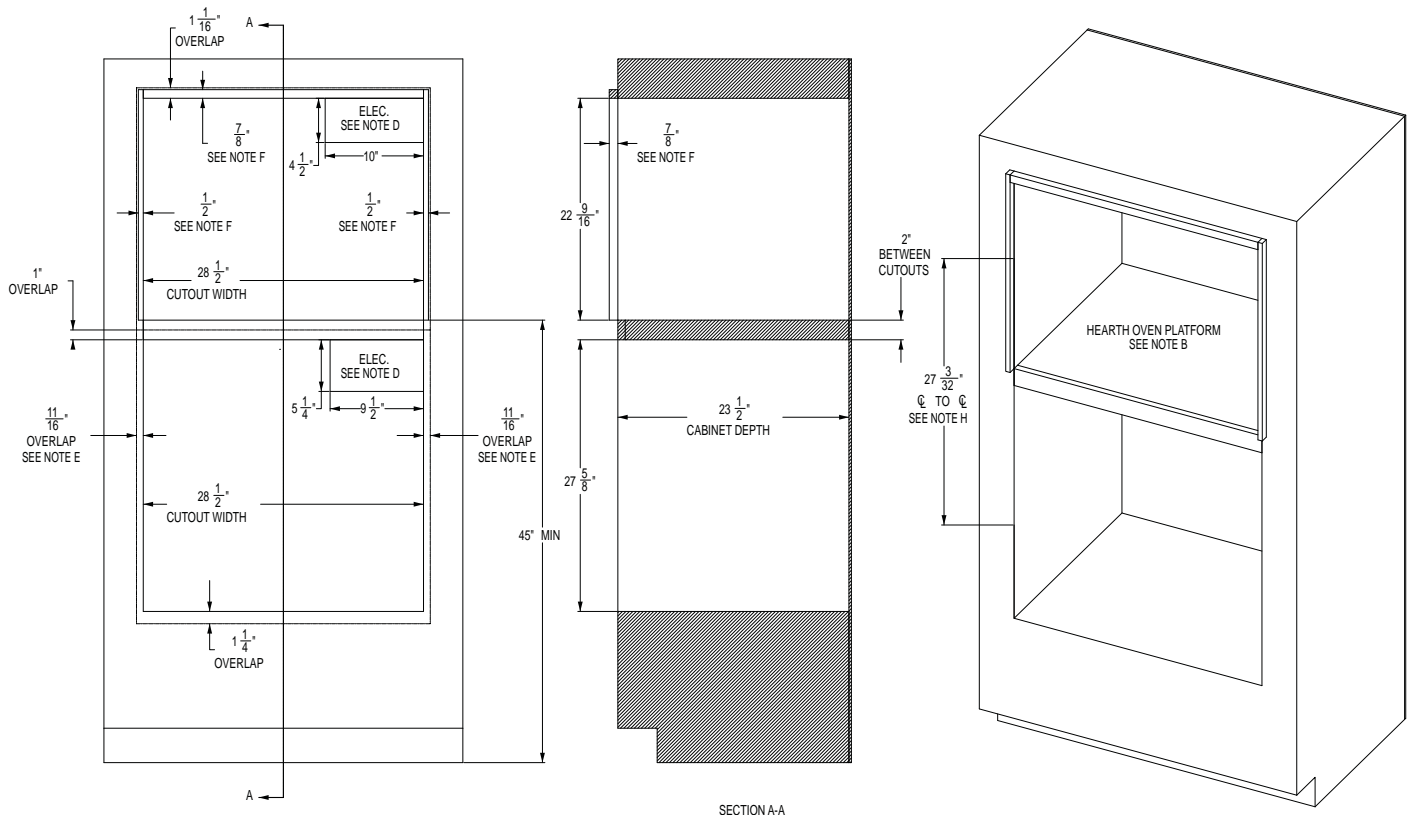
- A** 45" is the required minimum installation height. Oven may be installed higher based on owner preference.
- B** Hearth Oven Platform must be able to support 200 lbs. (91kg). For this installation, it is highly recommended to lock the platform into the side walls using wood joinery such as a Dado Joint. Fasteners and wood glue are also encouraged to further reinforce the locking wood joinery. The wood grain of the platform shall be oriented left to right. The front nose of the platform shall be a finished appearance surface. See illustrations 1Q & 1R for joinery concepts.
- C** Solid enclosure required on the top, bottom, left side, right side and back. The back surface may be drywall. Advanced fabrication and assembly techniques are strongly encouraged to ensure precise cabinet squareness and parallelism.
- D** Junction box location: Must be flush with back surface so as not to extend into the 24-15/16" cabinet depth. Junction box may also be located in an adjacent cabinet.
- E** The front surface of the interior cleats shall be a finished appearance surface.
- F** The Wall Oven REQUIRES an extruded aluminum LOWER VENT TRIM. Wall oven models beginning with "ZTSX" already include the aluminum vent trim. For models beginning with "ZTS", the vent trim kit ZX30VT1 must be ordered which includes the aluminum vent trim and mounting hardware. Please call 1-800-626-2000 with any questions.
- G** The opening center line dimension is taken at the FRONT OPENING of each enclosure.
- H** Wall Oven bottom surface cleat is to be 1/4" thick MDF fiber board or equivalent.



Installations

1 H HEARTH OVEN OVER FRENCH DOOR WALL OVEN –STANDARD INSTALLATION WITH A 2” PLATFORM BETWEEN

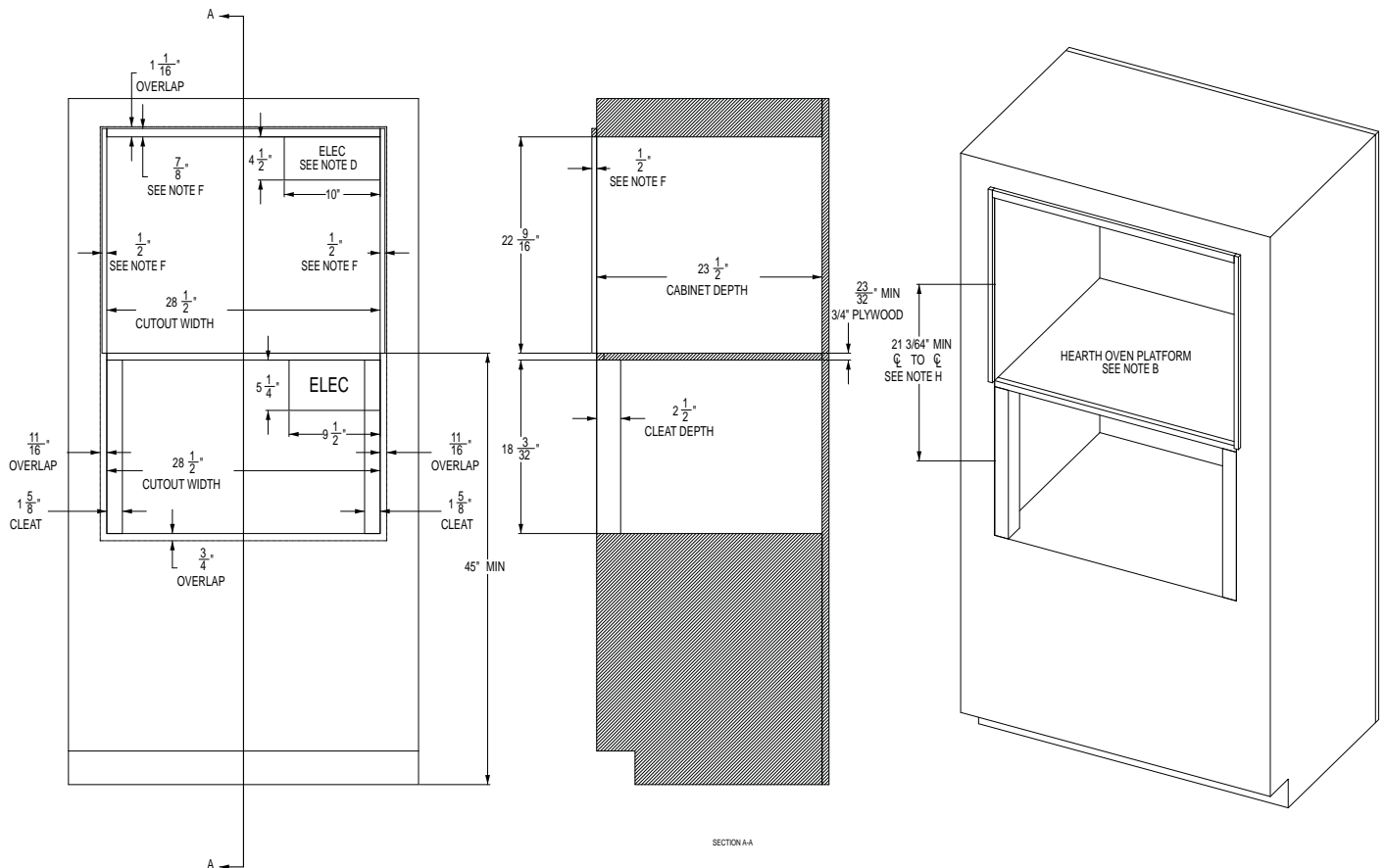
- A** 45” is the required minimum installation height. Oven may be installed higher based on owner preference.
- B** Hearth Oven Platform must be able to support 200 lbs. (91kg).
- C** Solid enclosure required on the top, bottom, left side, right side and back. The back surface may be drywall. Advanced fabrication and assembly techniques are strongly encouraged to ensure precise cabinet squareness and parallelism.
- D** Junction box location: Must be flush with back surface so as not to extend into the 23-1/2” cabinet depth. Junction box may also be located in an adjacent cabinet.
- E** A minimum 1/8” reveal BEYOND the OVERLAP dimensions is recommended for proper drawer and door operating clearance. For the Lower FRENCH DOOR WALL OVEN, please carefully refer to the door opening restrictions associated with nearby countertops, walls and cabinet fronts to adjust the overlap value accordingly.
- F** Exterior cleats may be added to the sides and top of the Hearth Oven opening in order to bring the front surface of the Hearth Oven into alignment with the front surface of the wall oven below. Finish per customer requirements. A flat black finish may better match the side appearance of the oven below.
- G** For the FRENCH DOOR WALL OVEN, the stainless-steel LOWER TRIM supplied with the unit is the only option.
- H** The opening center line dimension is taken at the FRONT OPENING of each enclosure.



Installations

1 I HEARTH OVEN OVER STEAM OVEN –STANDARD INSTALLATION WITH A MINIMUM GAP BETWEEN

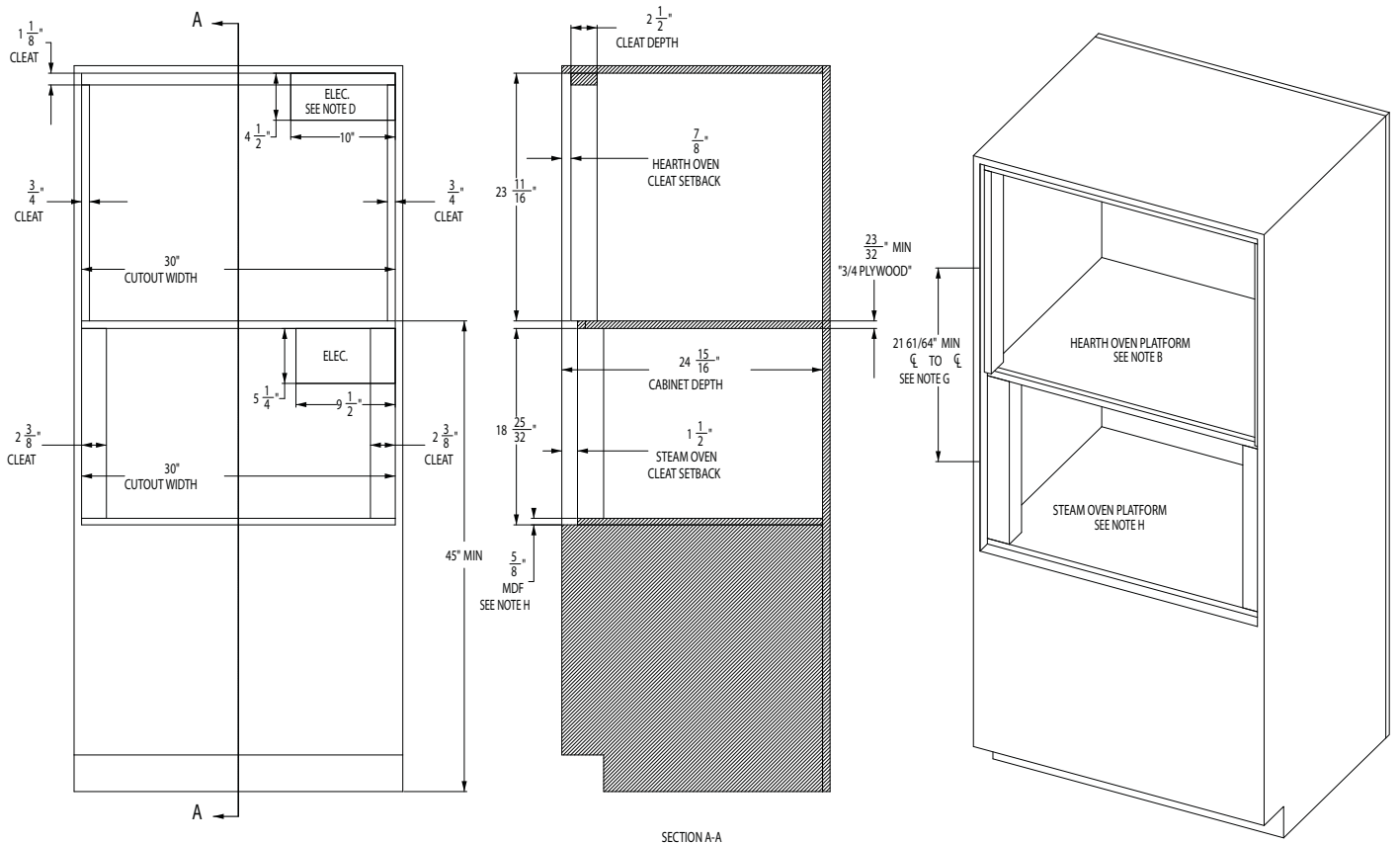
- A** 45" is the required minimum installation height. Oven may be installed higher based on owner preference.
- B** Hearth Oven Platform must be able to support 200 lbs. (91kg). For this installation, it is highly recommended to lock the platform into the side walls using wood joinery such as a Dado Joint. Fasteners and wood glue are also encouraged to further reinforce the locking wood joinery. The wood grain of the platform shall be oriented left to right. The front nose of the platform shall be a finished appearance surface. See illustrations 1Q & 1R for joinery concepts.
- C** Solid enclosure required on the top, bottom, left side, right side and back. The back surface may be drywall. Advanced fabrication and assembly techniques are strongly encouraged to ensure precise cabinet squareness and parallelism.
- D** Junction box location: Must be flush with back surface so as not to extend into the 23-1/2" cabinet depth. Junction box may also be located in an adjacent cabinet.
- E** A minimum 1/8" reveal BEYOND the OVERLAP dimensions is recommended for proper drawer and door operating clearance.
- F** Exterior cleats may be added to the sides and top of the Hearth Oven opening in order to bring the front surface of the Hearth Oven into alignment with the front surface of the wall oven below. Finish per customer requirements. A flat black finish may better match the side appearance of the oven below.
- G** A LOWER VENT TRIM option is NOT available for this cabinet configuration.
- H** The opening center line dimension is taken at the FRONT OPENING of each enclosure.



Installations

1 J HEARTH OVEN OVER STEAM OVEN – FLUSH-INSET INSTALLATION WITH A MINIMUM GAP BETWEEN

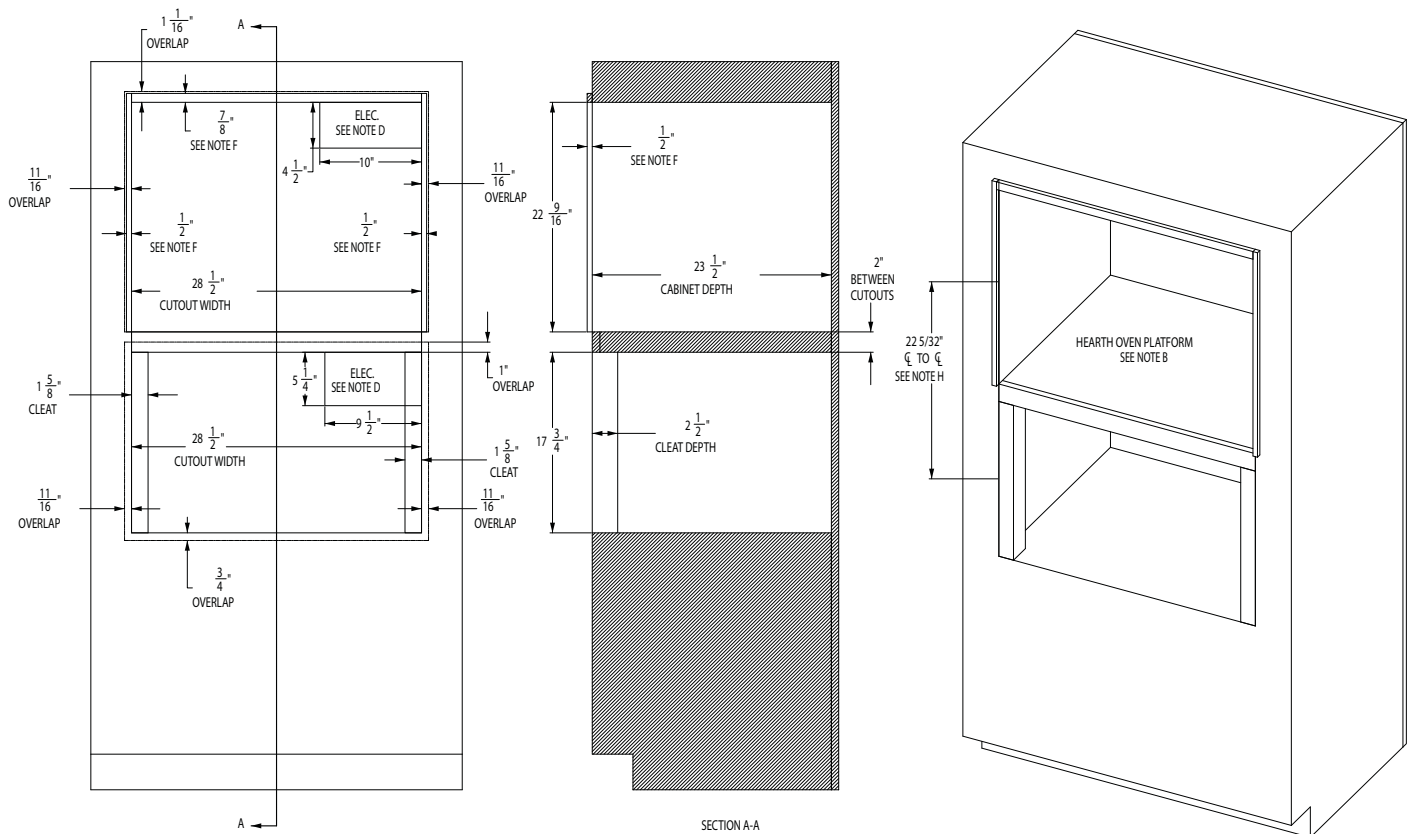
- A** 45" is the required minimum installation height. Oven may be installed higher based on owner preference.
- B** Hearth Oven Platform must be able to support 200 lbs. (91kg). For this installation, it is highly recommended to lock the platform into the side walls using wood joinery such as a Dado Joint. Fasteners and wood glue are also encouraged to further reinforce the locking wood joinery. The wood grain of the platform shall be oriented left to right. The front nose of the platform shall be a finished appearance surface. See illustrations 1Q & 1R for joinery concepts.
- C** Solid enclosure required on the top, bottom, left side, right side and back. The back surface may be drywall. Advanced fabrication and assembly techniques are strongly encouraged to ensure precise cabinet squareness and parallelism.
- D** Junction box location: Must be flush with back surface so as not to extend into the 24-15/16" cabinet depth. Junction box may also be located in an adjacent cabinet.
- E** The front surface of the interior cleats shall be a finished appearance surface.
- F** An optional LOWER TRIM KIT may be installed with a CUT OUT OPENING & BOTTOM CLEAT height changes. Trim kit ZXSTEAM1 can be used with a CUT OUT OPENING height of 19-25/32" and a BOTTOM CLEAT height of 1-5/8". Please call 1-800-626-2000 with any questions.
- G** The opening center line dimension is taken at the FRONT OPENING of each enclosure.
- H** Steam Oven bottom surface cleat is to be 5/8" thick MDF fiber board or equivalent.



Installations

1 K HEARTH OVEN OVER STEAM OVEN –STANDARD INSTALLATION WITH A 2” PLATFORM BETWEEN

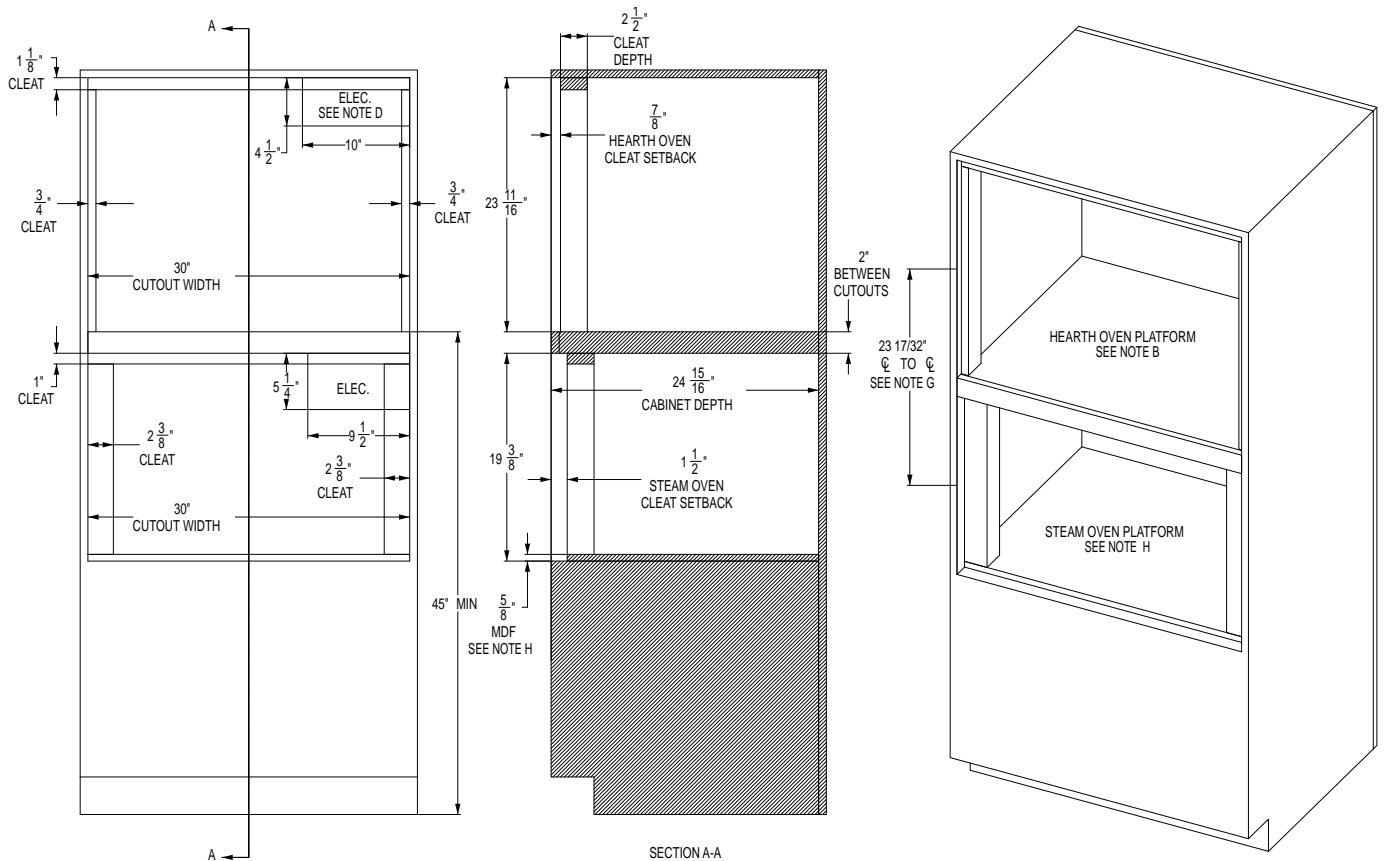
- A** 45” is the required minimum installation height. Oven may be installed higher based on owner preference.
- B** Hearth Oven Platform must be able to support 200 lbs. (91kg).
- C** Solid enclosure required on the top, bottom, left side, right side and back. The back surface may be drywall. Advanced fabrication and assembly techniques are strongly encouraged to ensure precise cabinet squareness and parallelism.
- D** Junction box location: Must be flush with back surface so as not to extend into the 23-1/2” cabinet depth. Junction box may also be located in an adjacent cabinet.
- E** A minimum 1/8” reveal BEYOND the OVERLAP dimensions is recommended for proper drawer and door operating clearance.
- F** Exterior cleats may be added to the sides and top of the Hearth Oven opening in order to bring the front surface of the Hearth Oven into alignment with the front surface of the wall oven below. Finish per customer requirements. A flat black finish may better match the side appearance of the oven below.
- G** A LOWER VENT TRIM option is NOT available for this cabinet configuration.
- H** The opening center line dimension is taken at the FRONT OPENING of each enclosure.



Installations

1 L HEARTH OVEN OVER STEAM OVEN – FLUSH-INSET INSTALLATION WITH A 2" PLATFORM BETWEEN

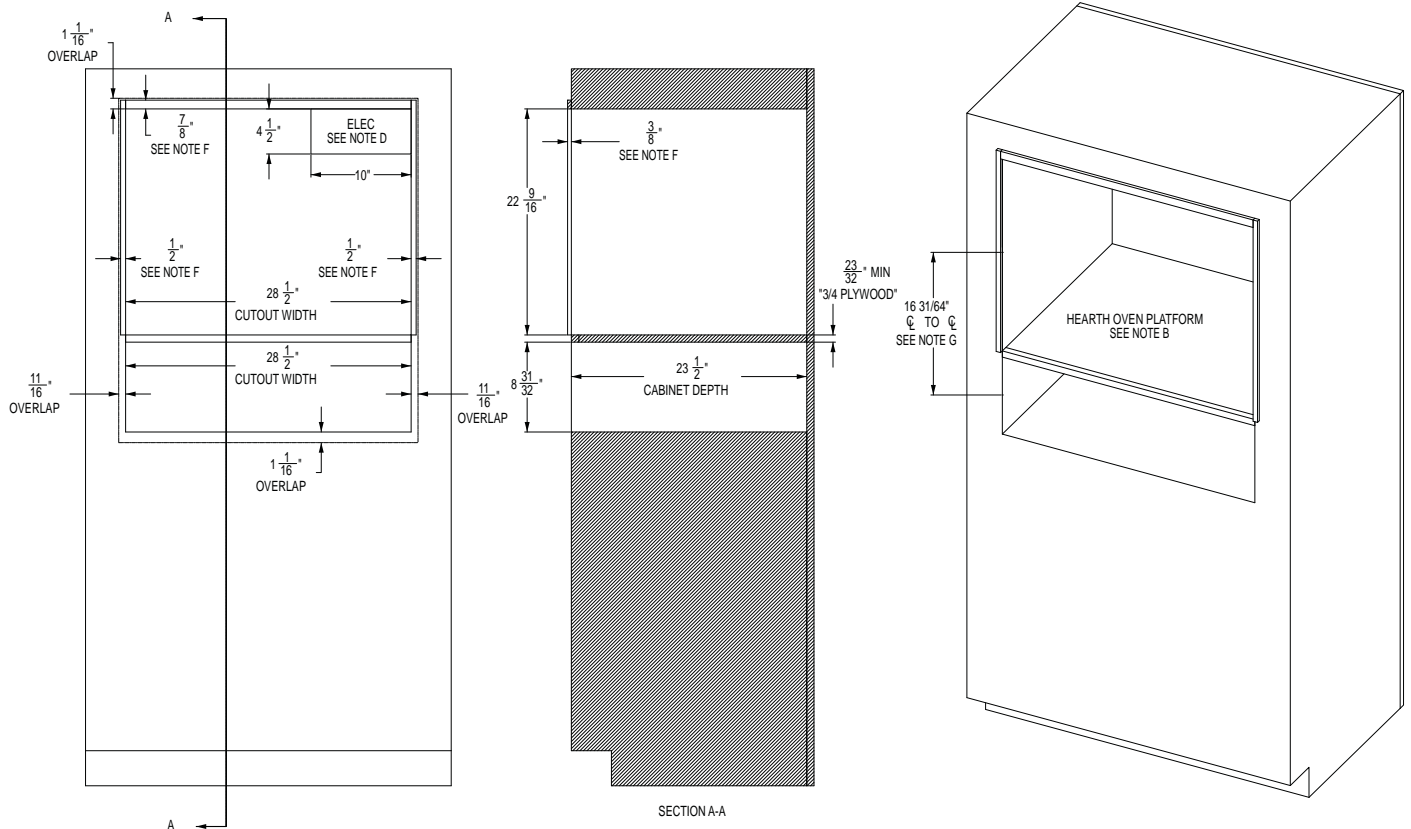
- A** 45" is the required minimum installation height. Oven may be installed higher based on owner preference.
- B** Hearth Oven Platform must be able to support 200 lbs. (91kg).
- C** Solid enclosure required on the top, bottom, left side, right side and back. The back surface may be drywall. Advanced fabrication and assembly techniques are strongly encouraged to ensure precise cabinet squareness and parallelism.
- D** Junction box location: Must be flush with back surface so as not to extend into the 24-15/16" cabinet depth. Junction box may also be located in an adjacent cabinet.
- E** The front surface of the interior cleats shall be a finished appearance surface.
- F** An optional LOWER TRIM KIT may be installed with a CUT OUT OPENING & BOTTOM CLEAT height changes. Trim kit ZXSTEAM1 can be used with a CUT OUT OPENING height of 20-3/8" and a BOTTOM CLEAT height of 1-5/8". Please call 1-800-626-2000 with any questions.
- G** The opening center line dimension is taken at the FRONT OPENING of each enclosure.
- H** Steam Oven bottom surface cleat is to be 5/8" thick MDF fiber board or equivalent.



Installations

1 M HEARTH OVEN OVER WARMING DRAWER –STANDARD INSTALLATION WITH A MINIMUM GAP BETWEEN

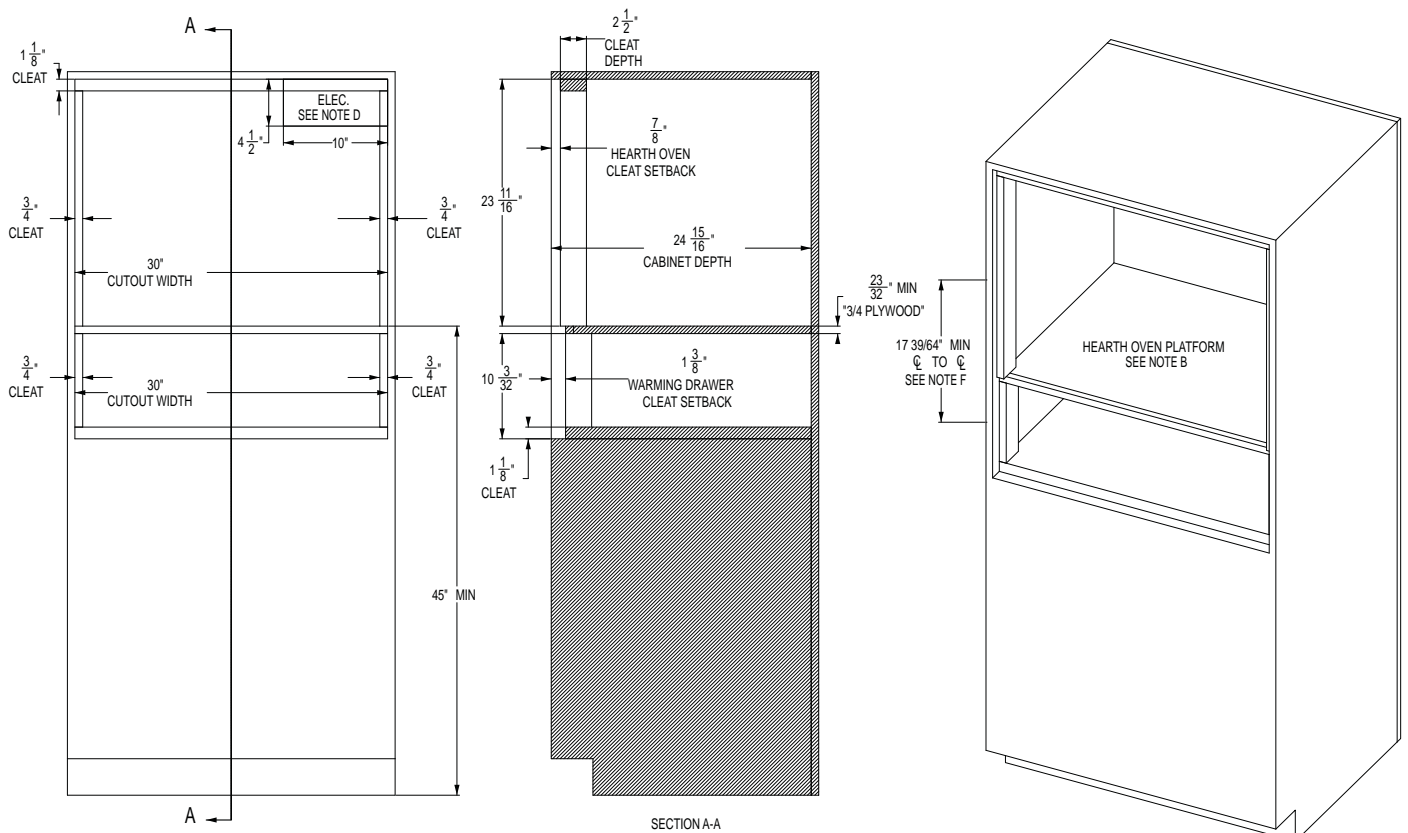
- A** 45" is the required minimum installation height. Oven may be installed higher based on owner preference.
- B** Hearth Oven Platform must be able to support 200 lbs. (91kg). For this installation, it is highly recommended to lock the platform into the side walls using wood joinery such as a Dado Joint. Fasteners and wood glue are also encouraged to further reinforce the locking wood joinery. The wood grain of the platform shall be oriented left to right. The front nose of the platform shall be a finished appearance surface. See illustrations 1Q & 1R for joinery concepts.
- C** Solid enclosure required on the top, bottom, left side, right side and back. The back surface may be drywall. Advanced fabrication and assembly techniques are strongly encouraged to ensure precise cabinet squareness and parallelism.
- D** Junction box location: Must be flush with back surface so as not to extend into the 23-1/2" cabinet depth. Junction box may also be located in an adjacent cabinet.
- E** A minimum 1/8" reveal BEYOND the OVERLAP dimensions is recommended for proper drawer and door operating clearance.
- F** Exterior cleats may be added to the sides and top of the Hearth Oven opening in order to bring the front surface of the Hearth Oven into alignment with the front surface of the wall oven below. Finish per customer requirements. A flat black finish may better match the side appearance of the oven below.
- G** The opening center line dimension is taken at the FRONT OPENING of each enclosure.



Installations

1 N HEARTH OVEN OVER WARMING DRAWER – FLUSH-INSET INSTALLATION WITH A MINIMUM GAP BETWEEN

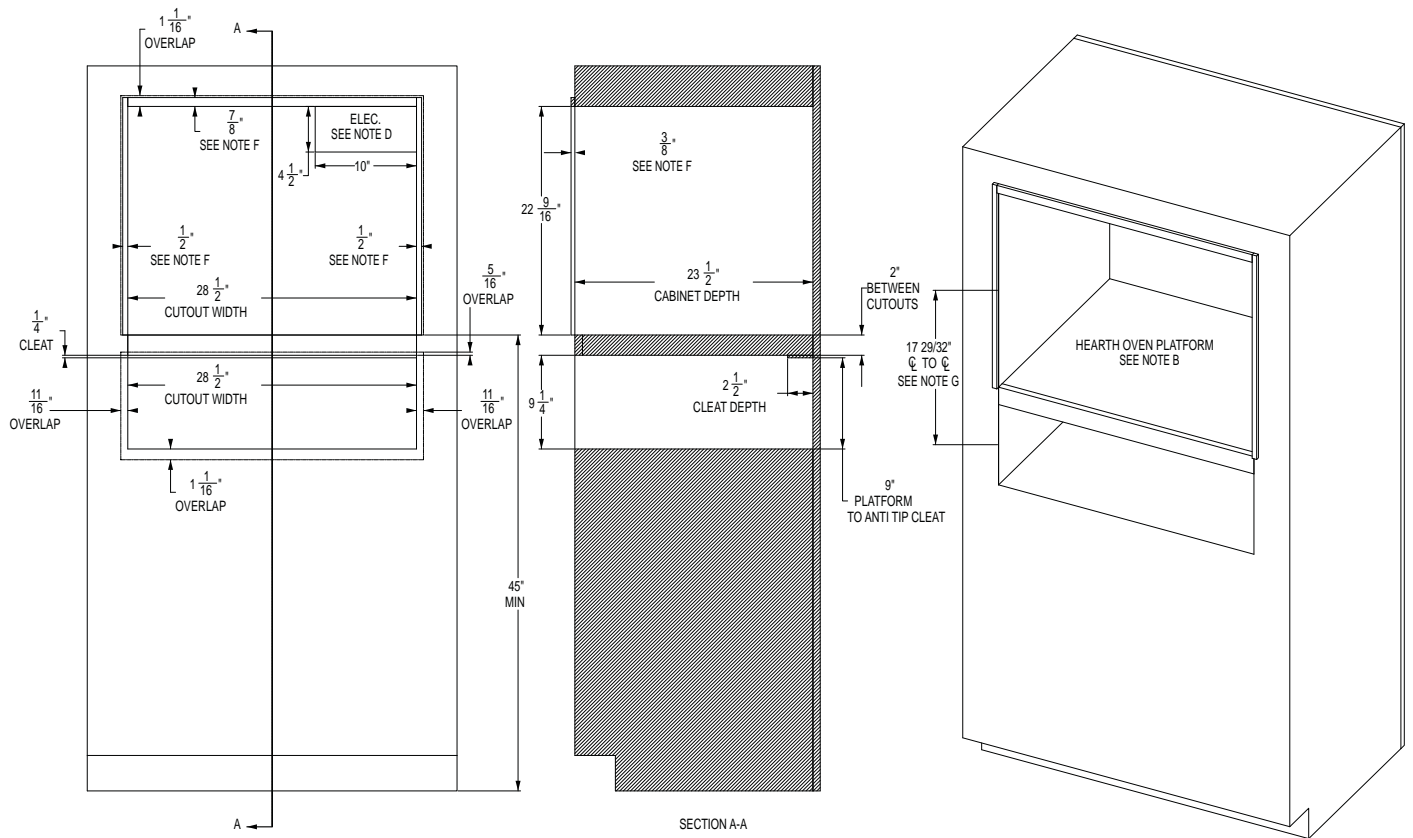
- A** 45" is the required minimum installation height. Oven may be installed higher based on owner preference.
- B** Hearth Oven Platform must be able to support 200 lbs. (91kg). For this installation, it is highly recommended to lock the platform into the side walls using wood joinery such as a Dado Joint. Fasteners and wood glue are also encouraged to further reinforce the locking wood joinery. The wood grain of the platform shall be oriented left to right. The front nose of the platform shall be a finished appearance surface. See illustrations 1Q & 1R for joinery concepts.
- C** Solid enclosure required on the top, bottom, left side, right side and back. The back surface may be drywall. Advanced fabrication and assembly techniques are strongly encouraged to ensure precise cabinet squareness and parallelism.
- D** Junction box location: Must be flush with back surface so as not to extend into the 24-15/16" cabinet depth. Junction box may also be located in an adjacent cabinet.
- E** The front surface of the interior cleats shall be a finished appearance surface.
- F** The opening center line dimension is taken at the FRONT OPENING of each enclosure.



Installations

1 O HEARTH OVEN OVER WARMING DRAWER –STANDARD INSTALLATION WITH A 2” PLATFORM BETWEEN

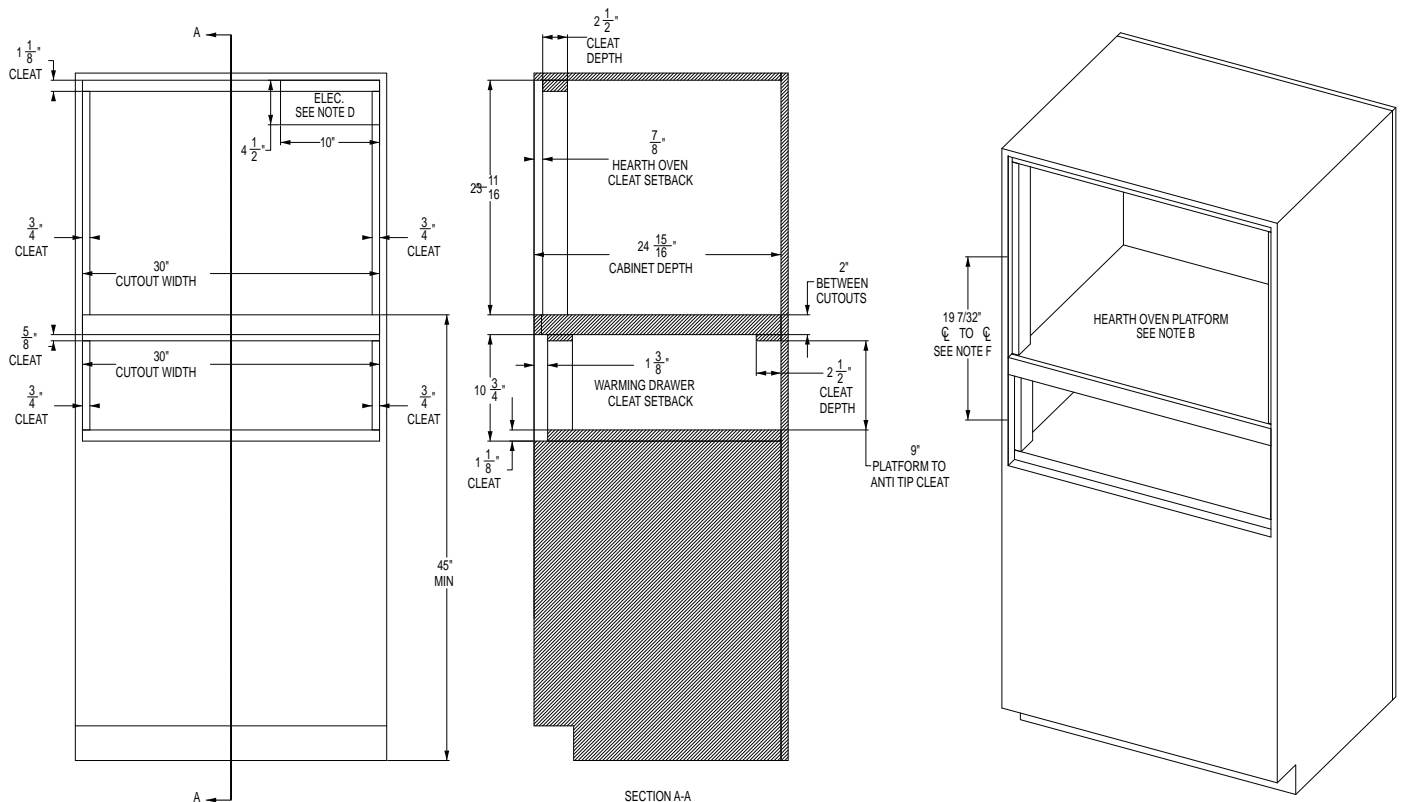
- A** 45” is the required minimum installation height. Oven may be installed higher based on owner preference.
- B** Hearth Oven Platform must be able to support 200 lbs. (91kg).
- C** Solid enclosure required on the top, bottom, left side, right side and back. The back surface may be drywall. Advanced fabrication and assembly techniques are strongly encouraged to ensure precise cabinet squareness and parallelism.
- D** Junction box location: Must be flush with back surface so as not to extend into the 23-1/2” cabinet depth. Junction box may also be located in an adjacent cabinet.
- E** A minimum 1/8” reveal BEYOND the OVERLAP dimensions is recommended for proper drawer and door operating clearance.
- F** Exterior cleats may be added to the sides and top of the Hearth Oven opening in order to bring the front surface of the Hearth Oven into alignment with the front surface of the wall oven below. Finish per customer requirements. A flat black finish may better match the side appearance of the oven below.
- G** The opening center line dimension is taken at the FRONT OPENING of each enclosure.



Installations

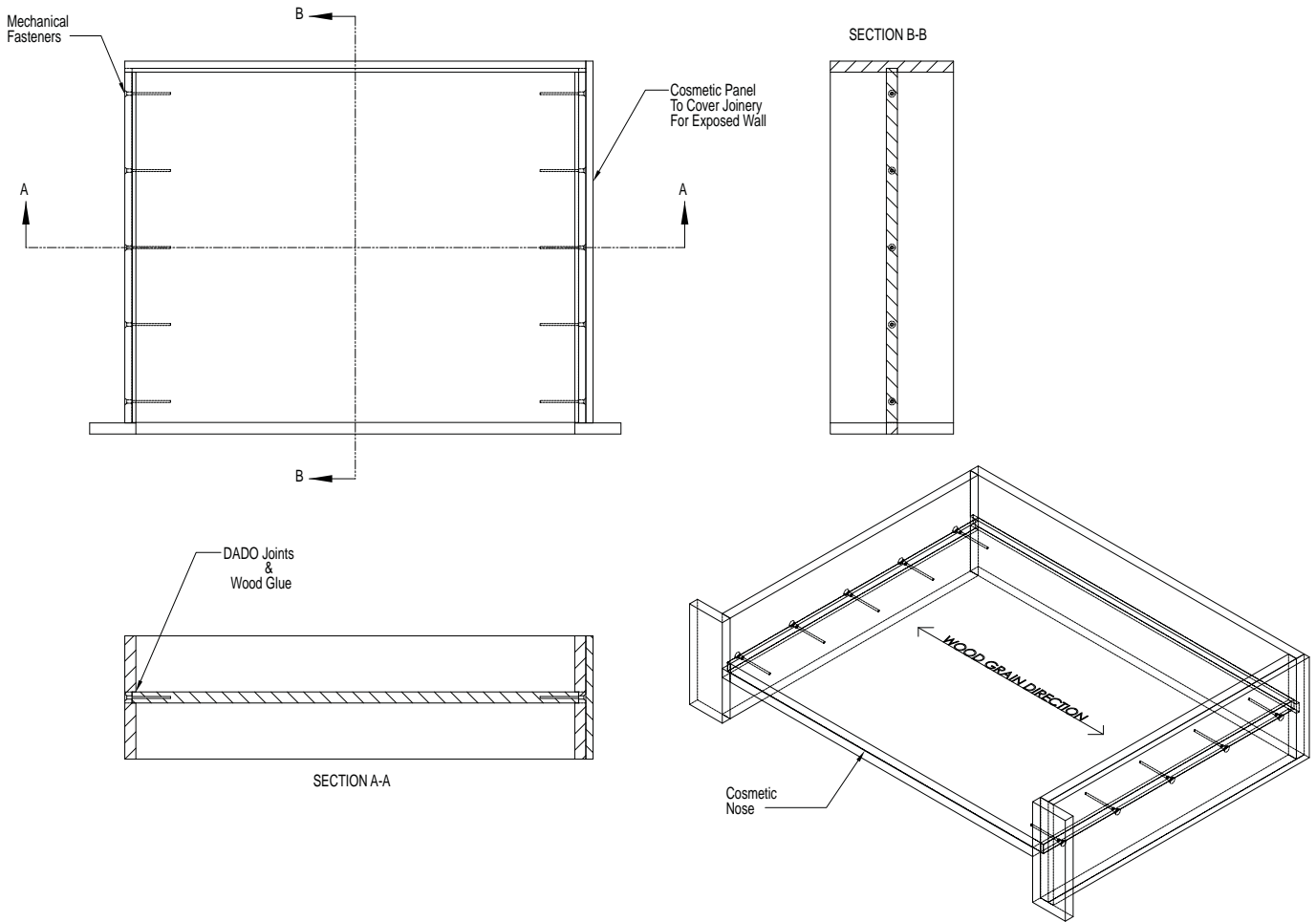
1 P HEARTH OVEN OVER WARMING DRAWER – FLUSH-INSET INSTALLATION WITH A 2” PLATFORM BETWEEN

- A** 45” is the required minimum installation height. Oven may be installed higher based on owner preference.
- B** Hearth Oven Platform must be able to support 200 lbs. (91kg).
- C** Solid enclosure required on the top, bottom, left side, right side and back. The back surface may be drywall. Advanced fabrication and assembly techniques are strongly encouraged to ensure precise cabinet squareness and parallelism.
- D** Junction box location: Must be flush with back surface so as not to extend into the 24-15/16” cabinet depth. Junction box may also be located in an adjacent cabinet.
- E** The front surface of the interior cleats shall be a finished appearance surface.
- F** The opening center line dimension is taken at the FRONT OPENING of each enclosure.



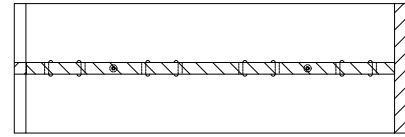
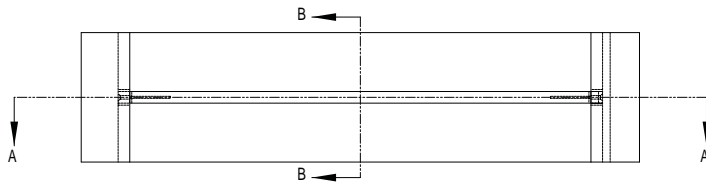
Installations

1 Q HEARTH OVEN PLATFORM FOR MINIMUM GAP BETWEEN APPLIANCES: DADO & MECHANICAL FASTENER CONCEPT

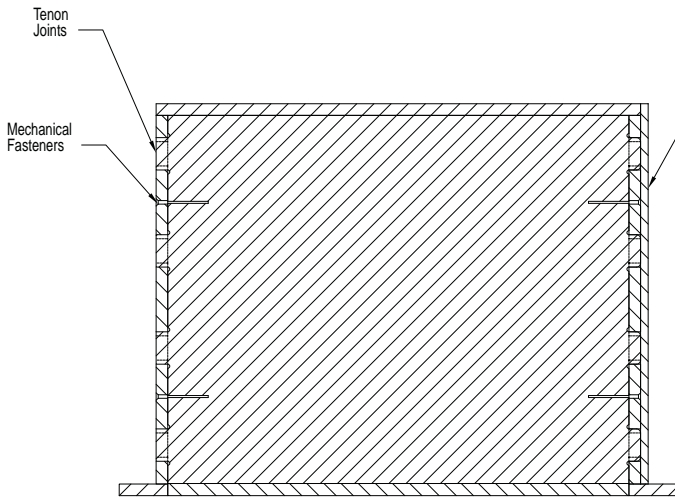


Installations

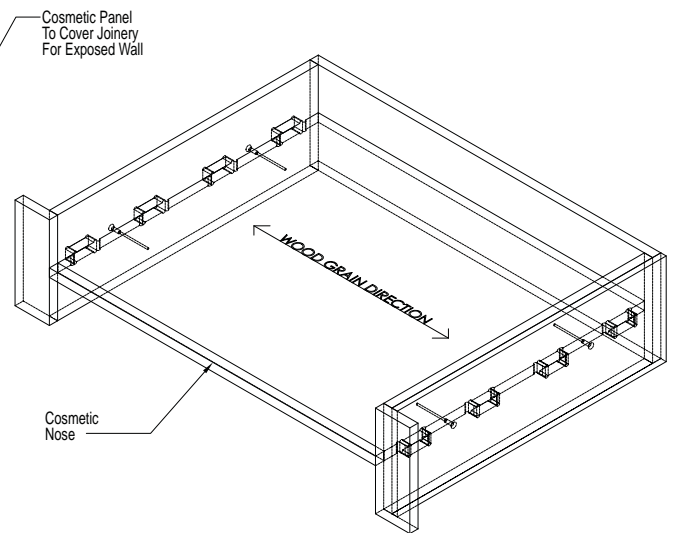
1 R HEARTH OVEN PLATFORM FOR MINIMUM GAP BETWEEN APPLIANCES: TENON & MECHANICAL FASTENER CONCEPT



SECTION B-B



SECTION A-A



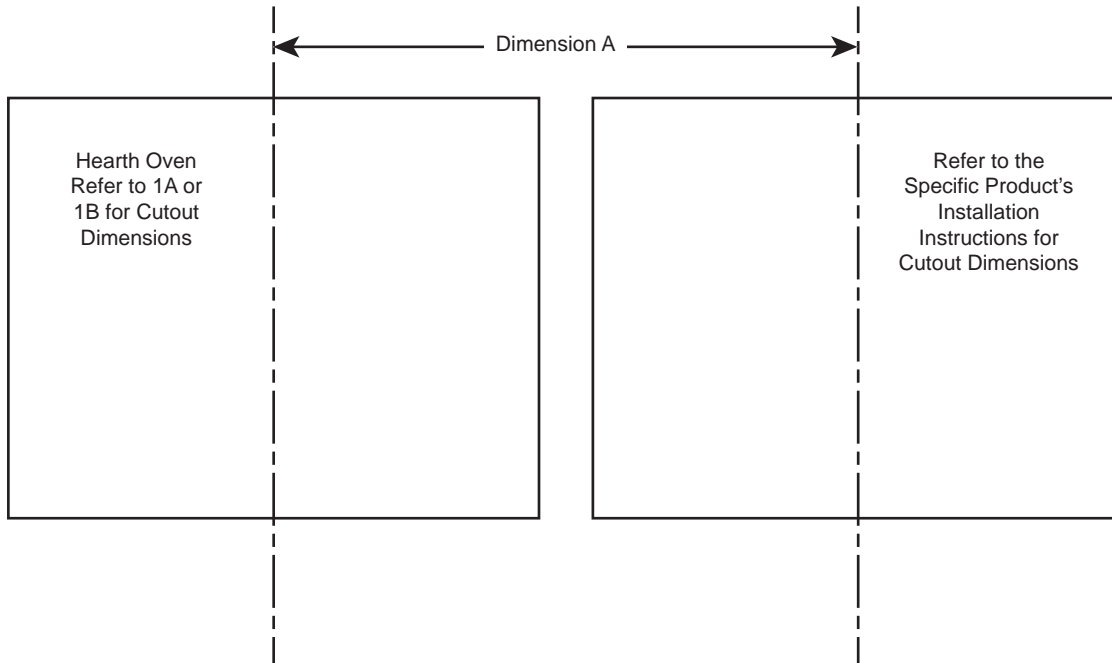
Installations

1 S SIDE-BY-SIDE COMBO INSTALLATION

For a list of products compatible with Hearth Oven Side-by-Side Installation check online at geappliances.com/combinations.

Please refer to the installation literature of both units for such installations.

For assistance with cabinet design please connect with a Monogram Designer.



Oven Type	Min. Distance - Dimension A Product to Product Centerlines
Hearth Oven next to Wall Oven	30.5"
Hearth Oven next to Steam Oven	30.5"
Hearth Oven next to French Door Wall Oven	42.5"

Installation

2 ELECTRICAL CONNECTIONS

ATTENTION INSTALLER

All electric wall ovens must be hard wired (direct wired) into an approved junction box. A plug and receptacle is NOT permitted on these products.

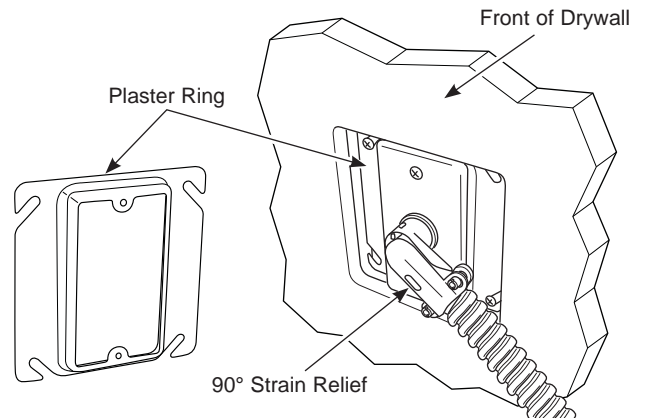
Do not shorten the flexible conduit. The conduit strain relief clamp must be securely attached to the junction box and the flexible conduit must be securely attached to the clamp. If the flexible conduit will not fit within the clamp, do not install the oven until a clamp of the proper size is obtained.

NOTE TO ELECTRICIAN: The 3 power leads supplied with this appliance are UL recognized for connection to heavier gauge household wiring. The insulation of these 3 leads is rated at temperatures much higher than the temperature rating of household wiring. The current carrying capacity of the conductor is governed by the wire gauge and the temperature rating of the insulation around the wire.

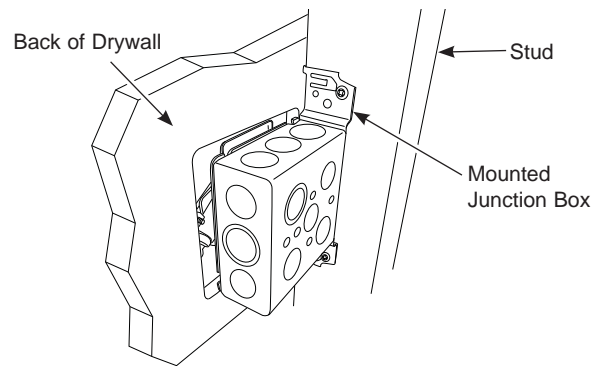
⚠ WARNING Improper connection of Aluminum house wiring to copper leads can result in an electrical hazard or fire. See Warning on Page 2.

RECOMMENDED INSTALLATION OPTIONS

Option 1 - A junction box with a plaster ring and 90° strain relief, mounted to a stud behind the drywall.

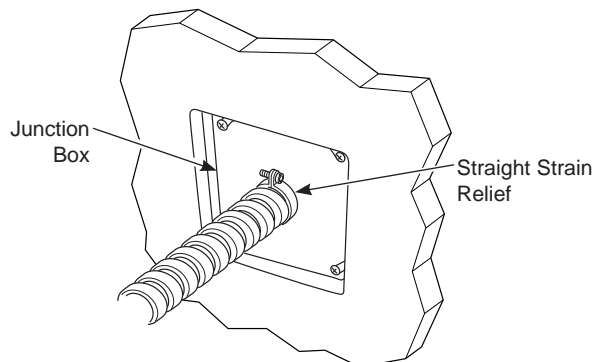


FRONT VIEW



BACK VIEW

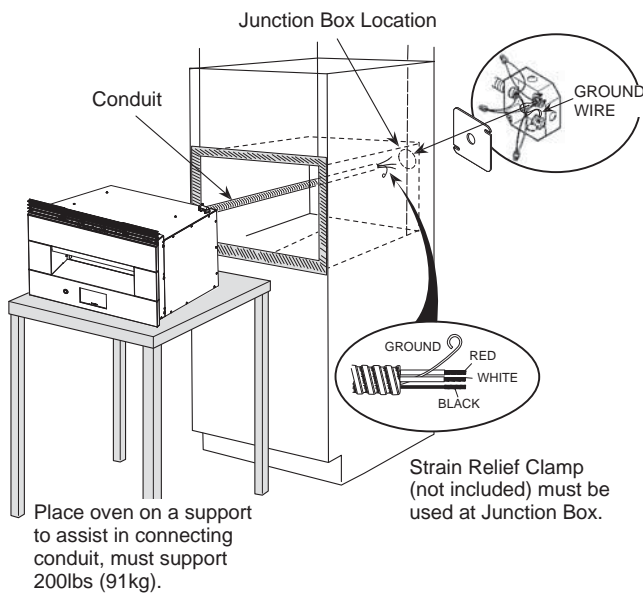
Option 2 - Standard junction box with a straight strain relief, mounted to a stud behind the drywall.



Installation

2 ELECTRICAL CONNECTIONS (Cont)

1. Turn off the circuit breaker or remove fuses to the oven branch circuit.
2. With the oven supported on a table or platform in front of the cabinet opening, connect the flexible conduit to the electrical junction box as shown below. Position the conduit in such a manner that it will lie in a natural loop, in the conduit pocket behind the unit, when the oven is installed. You will need to purchase an appropriate strain relief clamp to complete the connection of the conduit to the junction box.



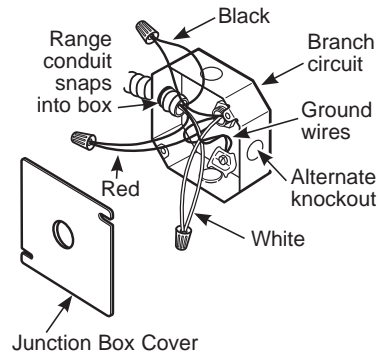
A NEW CONSTRUCTION AND FOUR-CONDUCTOR BRANCH CIRCUIT CONNECTION

- When installing in new construction, or
- When installing in a mobile home, or
- When installing in a recreational vehicle, or
- When local codes do not permit grounding through neutral:

NOTE: If residence leads or ground are aluminum conductors, see WARNING on page 2.

When connecting to a four-conductor branch circuit, if local codes permit:

1. Free the neutral (white) lead from being restrained to any other wires. If necessary, cut the neutral (white) lead and then re-strip it to expose the proper length of conductor.
2. Attach the appliance grounding lead (green or bare copper) in accordance with local codes.



3. Connect the oven neutral (white) lead to the branch circuit neutral (white or gray) in accordance with local codes, using a wire nut.
4. Connect the oven red lead to the branch circuit red lead and the oven black lead to the branch circuit black lead in accordance with local codes, using wire nuts.
5. Install proper strain relief clamp.
6. Install junction box cover.

Installation

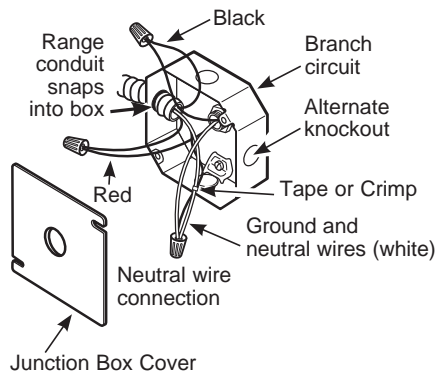
2 ELECTRICAL CONNECTIONS (Cont)

B THREE-CONDUCTOR BRANCH CIRCUIT CONNECTION

NOTE: If residence leads or ground are aluminum conductors, see WARNING on page 2.

When connecting to a three-conductor branch circuit, if local codes permit:

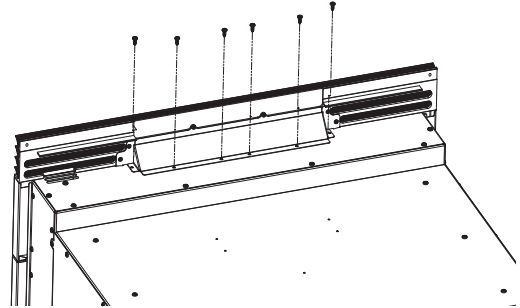
1. Connect the oven ground conductor along with the neutral (white) lead to the branch circuit neutral (white or gray in color), using a wire nut.



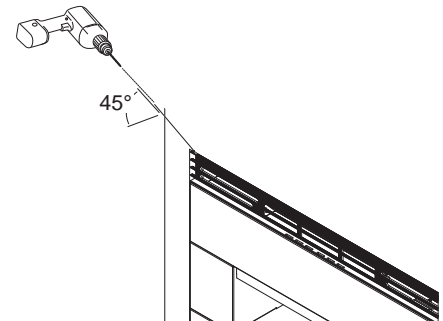
2. Connect the oven red lead to the branch circuit red lead and the oven black lead to the branch circuit black lead in accordance with local codes, using wire nuts.
3. Install proper strain relief clamp.
4. Install junction box cover.

3 INSTALLING THE OVEN IN THE CABINET

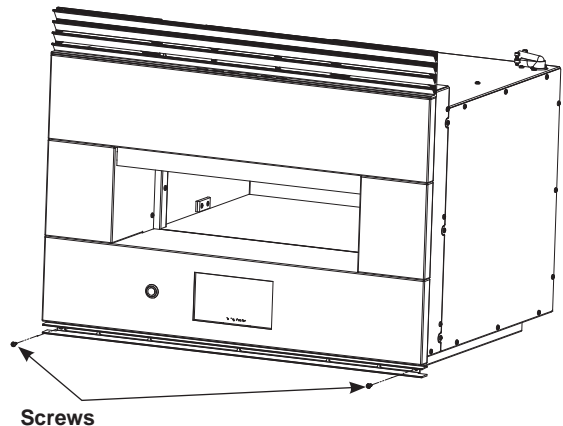
1. Before lifting oven into cabinet cutout, remove six screws from top vent and attach top grille to top of oven using the same screws as shown.



2. Lift oven into cabinet cutout using the bottom as a grip. Do not lift by the oven opening.
3. Carefully slide the oven back into the cutout until the top grille just touches the front face of the cabinet. **NOTE:** Do not push too far or damage to the top grille may occur.
4. Pre-drill top grille mounting holes into cabinet using 3/32" drill bit and the hole in the trim as a guide. Install two 3/4" Philips screws.



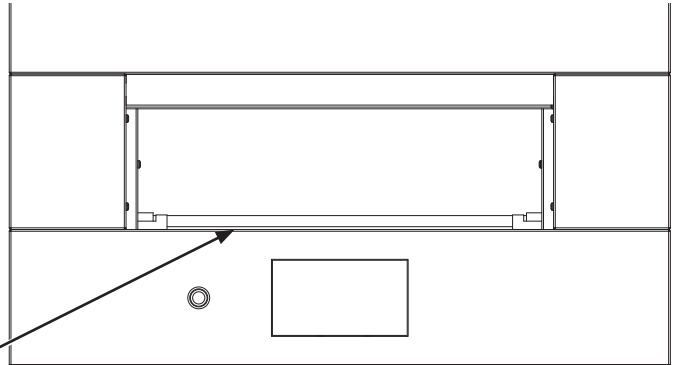
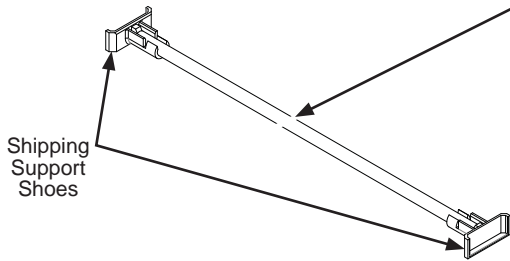
5. After oven is installed in cabinet, align Lower Vent Trim with holes on mounting brackets and install using two 1/2" Torx screws.



Installation

PRE-TEST CHECKLIST

- Remove all protective film, if present.
- Check to be sure that all wiring is secure and not pinched.
- Remove cooking deck shipping supports by:
 1. Remove Shipping Support Dowel by pulling up on one end.
 2. Remove both Shipping Support Shoes, Slide out from wall towards center of Stone.
 3. Pull out from oven and discard.



OPERATION CHECKLIST

IMPORTANT

- Remove all items from the inside of the oven.
- Check that conduit is securely connected to the junction box.
- Turn on the power to the oven. (Refer to your Owner's Manual.) Verify that all cooking functions operate properly.
- Check that the circuit breaker is not tripped nor the house fuse blown.
- See your Owner's Manual for troubleshooting list.

NOTE TO ELECTRICIAN: The power leads supplied with this appliance are UL recognized for connections to larger gauge household wiring. The insulation of these leads is rated at temperatures much higher than the temperature rating of household wiring. The current carrying capacity of a conductor is governed by the wire gauge and also the temperature rating of the insulation around the wire.

⚠ WARNING IMPROPER CONNECTION OF ALUMINUM HOUSE WIRING TO THE COPPER LEADS CAN RESULT IN AN ELECTRICAL HAZARD OR FIRE. SEE WARNING ON PAGE 2.

NOTE: While performing installations described in this book, safety glasses or goggles should be worn.

NOTE: Product improvement is a continuing endeavor at GE Appliances. Therefore, materials, appearance and specifications are subject to change without notice.



INSTRUCTIONS D'INSTALLATION

**Four à sole intérieur
ZEP30FR**

FRANÇAIS.

Informations de sécurité

Vous avez des questions ou besoin d'assistance concernant votre appareil? Consultez le site Web de Monogram, accessible 24 heures sur 24, tous les jours de l'année! Vous pouvez également acheter d'autres excellents produits de Monogram et bénéficier de tous nos services de soutien en ligne conçus pour votre commodité. Aux États-Unis : monogram.com ou appelez le 1-800-444-1845.

POUR VOTRE SÉCURITÉ

- Assurez-vous que votre four est correctement installé par un installateur ou un technicien qualifié.
- Assurez-vous que le four est installé dans une armoire qui est solidement fixée à la structure de l'habitation. Ne permettez à personne de grimper, de s'asseoir, de se tenir debout sur le four ou de s'y suspendre.
- Assurez-vous que les armoires et les revêtements muraux autour du four peuvent supporter les températures générées par celui-ci (jusqu'à 200 °F/93,3 °C).

⚠ AVERTISSEMENT L'alimentation électrique du four doit être coupée lorsque les raccordements sont effectués. Dans le cas contraire, vous vous exposez à des blessures graves, voire mortelles.

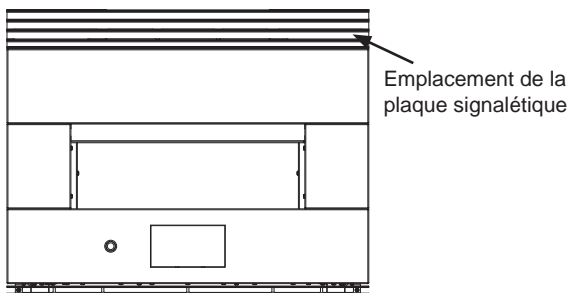
EXIGENCES ÉLECTRIQUES

Cet appareil est conçu pour être alimenté à une tension et une fréquence appropriées, et doit être branché à un circuit de dérivation individuel correctement mis à la terre et protégé par un disjoncteur ou un fusible temporisé. Reportez-vous à la plaque signalétique située au bas du panneau avant pour déterminer la classification de l'appareil. Le tableau ci-dessous indique la protection minimale recommandée pour le circuit dédié.

Puissance nominale en kW à 240 V	Puissance nominale en kW à 208 V	Taille de circuit requise (dédié)
9,7 à 12,0 kW	8,4 à 10,4 kW	50 A

EXIGENCES ÉLECTRIQUES

La plaque signalétique est située dans le coin supérieur droit du panneau avant.



Nous vous recommandons d'avoir recours aux services d'un électricien qualifié pour effectuer le câblage électrique et le raccordement de votre four. Après l'installation, demandez à l'électricien de vous montrer comment couper l'alimentation de la cuisinière.

EXIGENCES ÉLECTRIQUES (suite)

Renseignez-vous auprès des services publics locaux pour savoir quels sont les codes électriques applicables dans votre région. Ne pas raccorder votre four conformément aux codes en vigueur pourrait se révéler dangereux. En l'absence de codes locaux, votre four devrait être raccordé et protégé par un fusible, conformément aux exigences du Code national de l'électricité, NFPA n° 70 (dernière édition), disponible auprès de la National Fire Protection Association.

Depuis le 1er janvier 1996, le Code national de l'électricité exige que chaque nouvelle construction (non préexistante) ait recours à un raccordement à quatre conducteurs pour un four électrique. Lorsqu'un four électrique est installé dans une nouvelle construction, une maison mobile ou un véhicule récréatif, ou lorsque les codes locaux interdisent la mise à la terre par le biais d'un conducteur neutre, suivez les instructions de la section NOUVELLE CONSTRUCTION ET RACCORDEMENT À UN CIRCUIT DE DÉRIVATION À QUATRE CONDUCTEURS.

Vous devez utiliser un système électrique monophasé de 120/208 V CA ou de 120/240 V CA et 60 hertz. Lorsque le câblage de la maison est en aluminium, utilisez des connecteurs correctement installés et homologués pour une utilisation avec un câblage en aluminium.

⚠ AVERTISSEMENT Les installations avec câblage domestique en aluminium nécessitent une attention particulière :

- Une mauvaise connexion du câblage de la maison en aluminium aux fils de cuivre de l'appareil peut entraîner un risque électrique ou un incendie. Utilisez uniquement des connecteurs conçus pour relier le cuivre à l'aluminium et suivez attentivement la procédure recommandée par le fabricant.
- Les connexions de câblage de l'aluminium au cuivre doivent être conformes au Code national de l'électricité, aux codes locaux et aux pratiques de câblage acceptées par l'industrie.
- Si un composé anti-oxydant est ajouté aux connecteurs de câblage, le composé doit être homologué UL et adapté aux matériaux, à la tension et à la température de l'application.
- Les connecteurs pour le raccordement du câblage en aluminium et en cuivre peuvent être de plus grand calibre que les connecteurs standard. Il est recommandé d'utiliser un boîtier électrique double ou plus grand pour contenir les connecteurs qui joignent les câbles en aluminium et en cuivre.

LISEZ ET CONSERVEZ CES INSTRUCTIONS

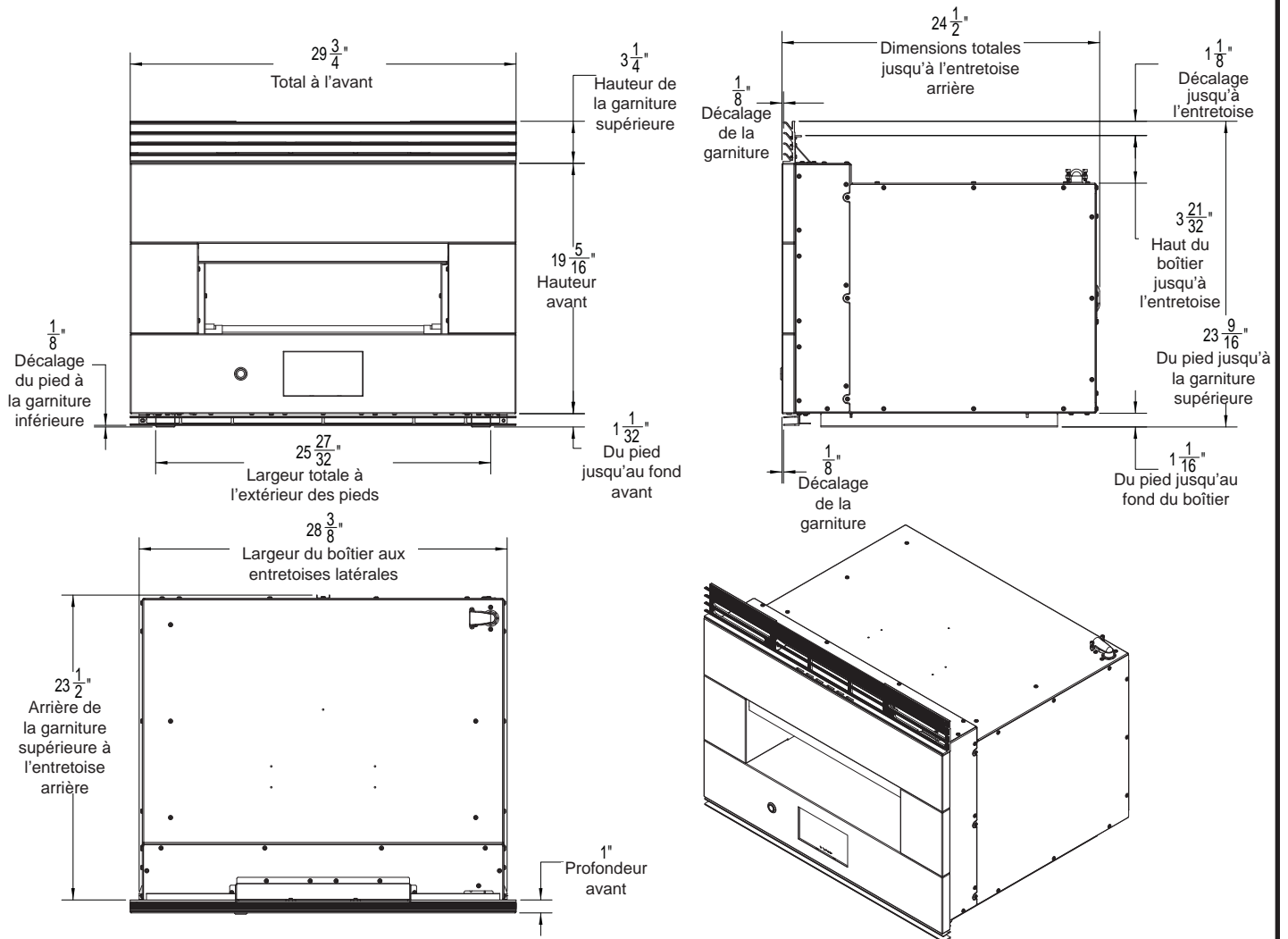
Table des matières

TABLE DES MATIÈRES

Consignes de sécurité	2	1J : Four à pizza encastré au-dessus d'un four à vapeur – Installation affleurante avec un écart minimum entre les deux.....	16
Information de conception		1K : Four à pizza encastré au-dessus d'un four à vapeur – Installation standard avec une plateforme de 2 po (5 cm) entre les deux.....	17
Dimensions du produit (avec garniture)	4	1L : Four à pizza encastré au-dessus d'un four à vapeur – Installation affleurante avec une plateforme de 2 po (5 cm) entre les deux	18
Liste de vérification avant installation.....	5	1M : Four à pizza encastré au-dessus d'un tiroir-réchaud – Installation standard avec un écart minimum entre les deux.....	19
Instructions d'installation		1N : Four à pizza encastré au-dessus d'un tiroir-réchaud – Installation affleurante avec un écart minimum entre les deux	20
Pièces comprises	6	1O : Four à pizza encastré au-dessus d'un tiroir-réchaud – Installation standard avec une plateforme de 2 po (5 cm) entre les deux.....	21
Matériaux nécessaires (non fournis).....	6	1P : Four à pizza encastré au-dessus d'un tiroir-réchaud – Installation affleurante avec une plateforme de 2 po (5 cm) entre les deux	22
Outils requis	6	1Q : Plateforme de four à pizza pour écart minimum entre les électroménagers : Concept d'attache mécanique et joint enclavé	23
Installation		1R : Plateforme de four à pizza pour écart minimum entre les électroménagers : Concept d'attache mécanique et tenons.....	24
1A : Découpe pour le four à pizza – Installation standard	7	1S : Installation combinée côte à côte.....	25
1B : Four à pizza – Installation affleurante	8	2 . Branchements électriques.....	26
1C : Four à pizza encastré au-dessus d'un four encastré – Installation standard avec un écart minimum entre les deux	9	3 . Installation du four dans l'armoire	28
1D : Four à pizza encastré au-dessus d'un four encastré – Installation affleurante avec un écart minimum entre les deux	10	LISTE DE VÉRIFICATION AVANT ESSAI	29
1E : Four à pizza encastré au-dessus d'un four encastré – Installation standard avec une plateforme de 2 po (5 cm) entre les deux	11	LISTE DE VÉRIFICATION DU FONCTIONNEMENT	29
1F : Four à pizza encastré au-dessus d'un four encastré – Installation affleurante avec une plateforme de 2 po (5 cm) entre les deux	12		
1G : Four à pizza encastré au-dessus de portes doubles – Installation standard avec un écart minimum entre les deux.....	13		
1H : Four à pizza encastré au-dessus de portes doubles – Installation standard avec une plateforme de 2 po (5 cm) entre les deux.....	14		
1I : Four à pizza encastré au-dessus d'un four à vapeur – Installation standard avec un écart minimum entre les deux.....	15		

Information de conception

DIMENSIONS DU FOUR (AVEC GARNITURE)

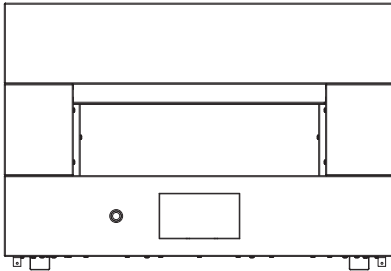


Information de conception

LISTE DE VÉRIFICATION AVANT INSTALLATION

TOUTES LES INFORMATIONS D'INSTALLATION FOURNIES DANS LES PAGES SUIVANTES DOIVENT ÊTRE UTILISÉES POUR L'INSTALLATION DU FOUR À PIZZA ÉLECTRIQUE INTÉRIEUR!

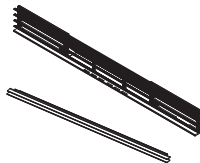
- Retirez les matériaux d'emballage et la documentation.



Four à pizza



Documentation



Garniture incluse

- Retirez les instructions d'installation de l'enveloppe de la documentation et lisez-les attentivement avant de commencer.

Veillez à mettre toute la documentation, le manuel de l'utilisateur, les instructions d'installation, etc. dans un lieu sûr afin de pouvoir vous y reporter ultérieurement.

- Placez le four sur une table ou sur une plateforme à la hauteur de l'ouverture d'installation. La plateforme doit pouvoir supporter un poids de 200 lb (91 kg).

Le four à pizza peut être installé dans une armoire seule, ou au-dessus ou à côté de modèles approuvés. Voir l'étiquette sur le dessus du four pour connaître les modèles de four approuvés ou visiter geappliances.com/combinations.

⚠ ATTENTION Installer le four en dessous de la hauteur minimale de 45 pouces entraînera un risque de brûlure pour les enfants. Ne l'installez pas en dessous de la hauteur minimale.

Instructions d'installation

AVANT DE COMMENCER

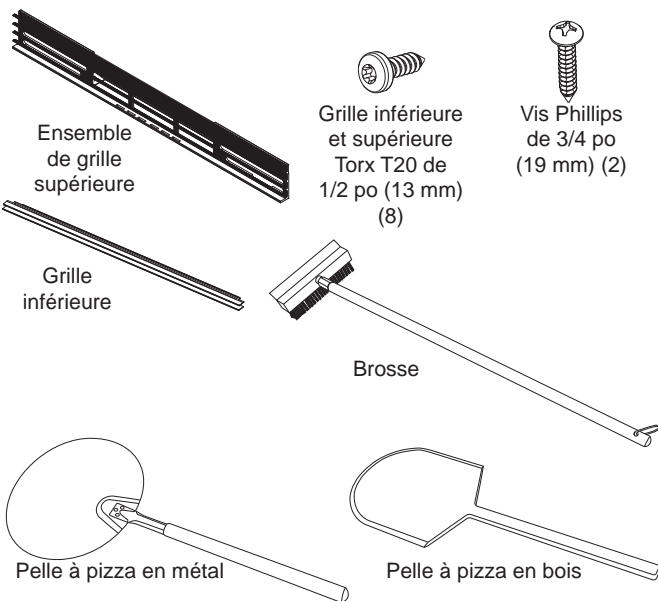
Lisez attentivement toutes ces instructions.

- **IMPORTANT** – Conservez ces instructions pour l'inspecteur local.
- **IMPORTANT** – Respectez tous les codes et règlements en vigueur.
- **Remarque destinée à l'installateur** – Assurez-vous de laisser ces instructions au consommateur.
- **Remarque destinée au consommateur** – Conservez ces instructions pour vous y reporter ultérieurement.
- L'installateur est responsable de la qualité de l'installation. Une panne du produit due à une mauvaise installation n'est PAS couverte par la garantie.
- **Remarque** – Cet appareil doit être correctement mis à la terre.

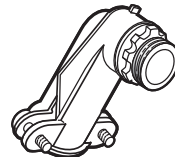
• AVERTISSEMENT DESTINÉ À L'INSTALLATEUR

Tous les fours encastrés électriques doivent être raccordés par câble (en ligne directe) à une boîte de jonction approuvée. L'utilisation d'une fiche et d'une prise est INTERDITE pour ce type d'appareil.

PIÈCES INCLUSES (L'apparence variera.)



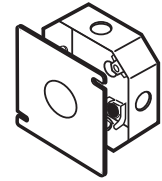
MATÉRIEL NÉCESSAIRE



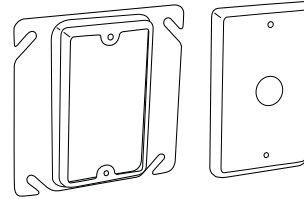
Option 1



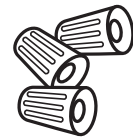
Option 2



Boîte de jonction
(1-1/2 po de profondeur max.)



Garniture pour cloison sèche et couvercle (option 1)



Capuchons de connexion

OUTILS NÉCESSAIRES



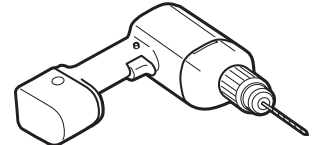
Pince à dénuder



Tournevis Phillips n° 2



Tournevis à lame plate



Perceuse et foret de 3/32 po

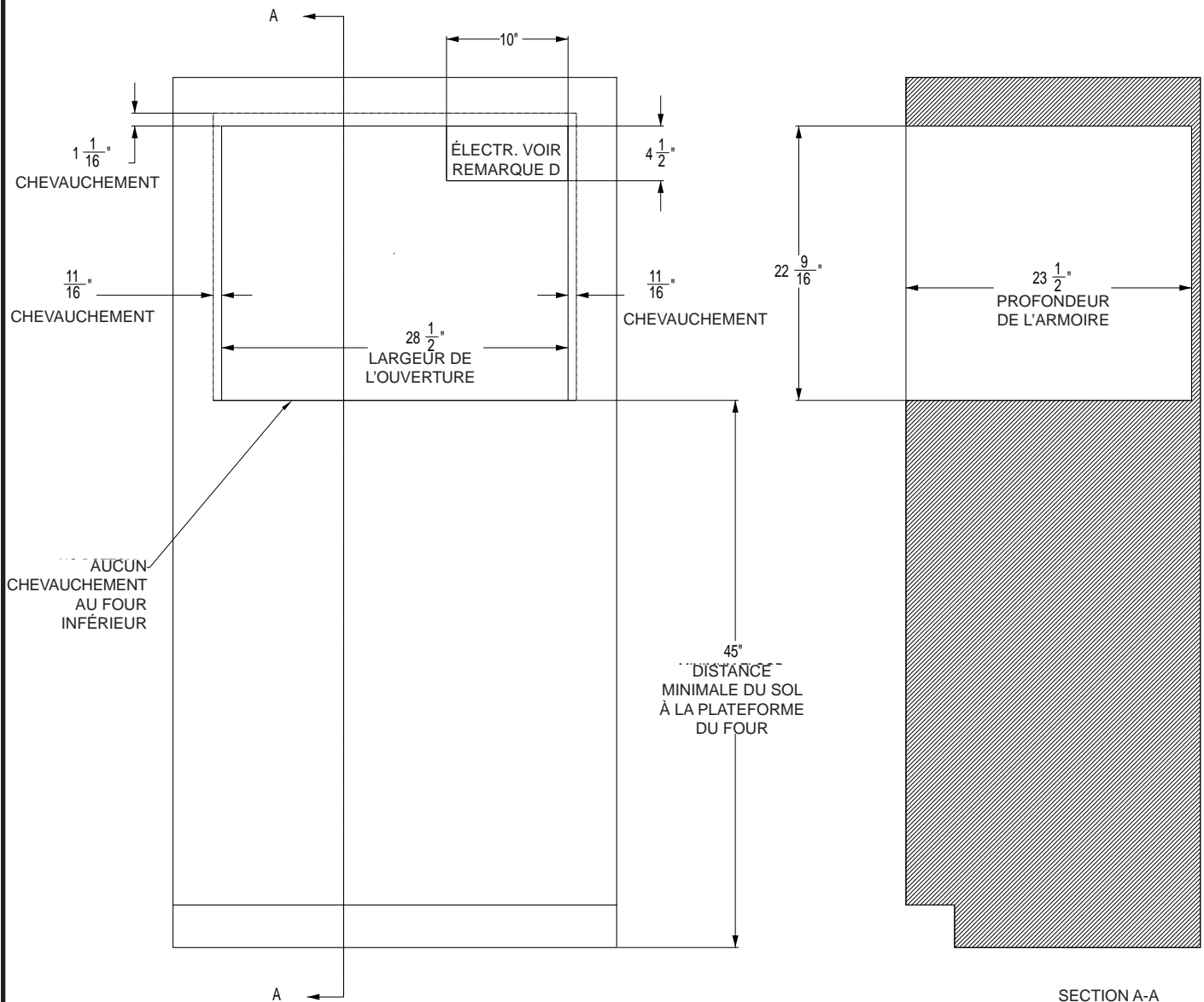


Tournevis Torx T20

Installations

1 A FOUR À PIZZA – INSTALLATION STANDARD

- A** La hauteur d'installation minimale requise est de 45 po (115 cm). Le four peut être installé plus haut selon les préférences du propriétaire.
- B** La plateforme doit pouvoir supporter un poids de 200 lb (91 kg).
- C** Une enceinte robuste est requise sur le dessus, le dessous, les côtés gauche et droit et à l'arrière. La surface arrière peut être une cloison sèche. Des techniques de fabrication et d'assemblage avancées sont fortement encouragées pour s'assurer que les armoires sont d'équerre et parallèles.
- D** Emplacement de la boîte de jonction : Doit affleurer la surface arrière afin de ne pas dépasser la profondeur de 23-1/2 po (60 cm) de l'armoire. La boîte de jonction peut également être située dans une armoire adjacente.
- E** Un effet d'affleurement peut être obtenu avec les façades de portes et de tiroirs des armoires adjacentes. Un jeu d'au moins 1/8 po (3 mm) doit être prévu AU-DELÀ des dimensions du CHEVAUCHEMENT est recommandé.



Installations

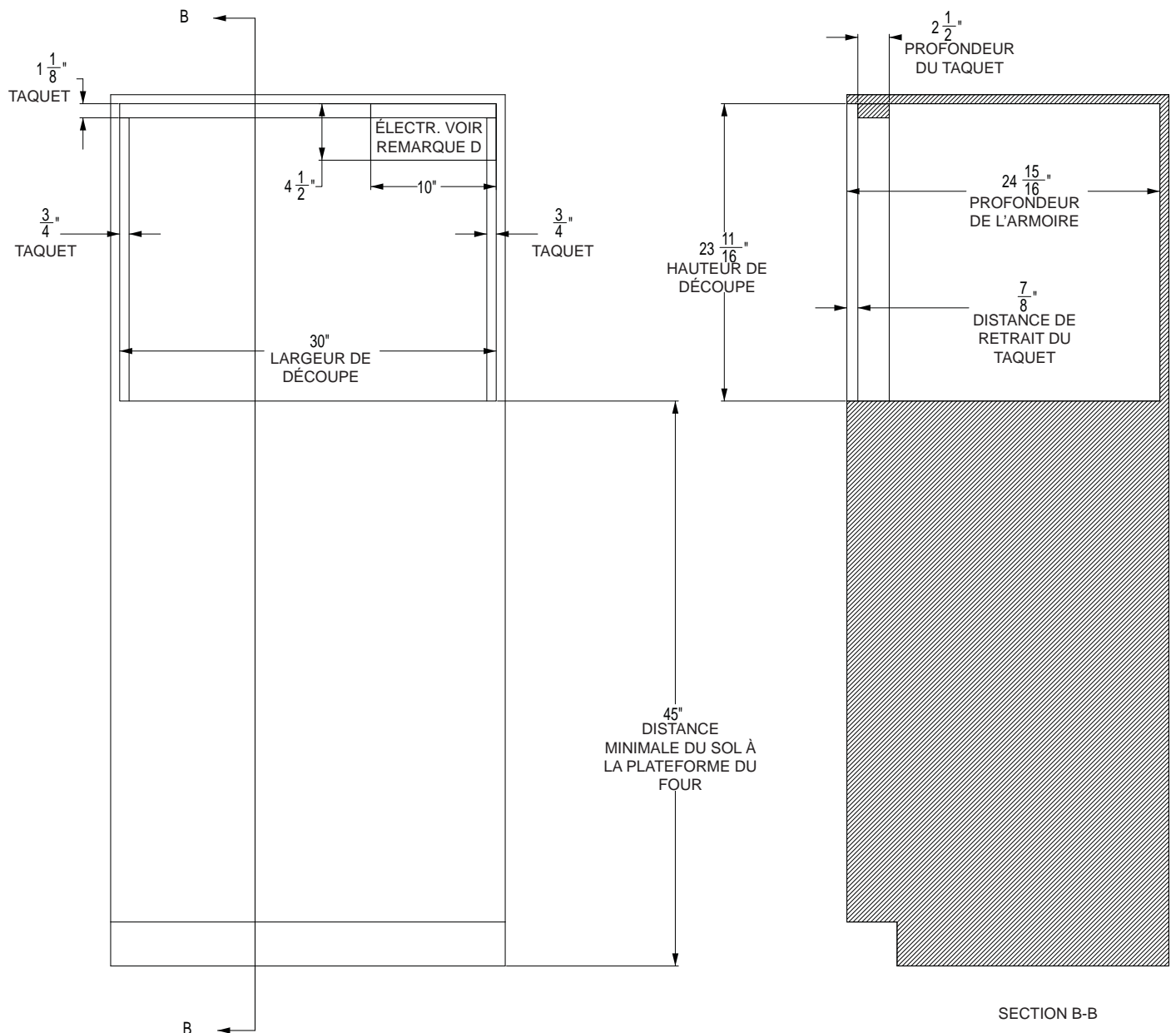
1 B FOUR À PIZZA – INSTALLATION AFFLEURANTE

A La hauteur d'installation minimale requise est de 45 po (115 cm). Le four peut être installé plus haut selon les préférences du propriétaire.

B La plateforme doit pouvoir supporter un poids de 200 lb (91 kg).

C Une enceinte robuste est requise sur le dessus, le dessous, les côtés gauche et droit et à l'arrière. La surface arrière peut être une cloison sèche. Des techniques de fabrication et d'assemblage avancées sont fortement encouragées pour s'assurer que les armoires sont d'équerre et parallèles.

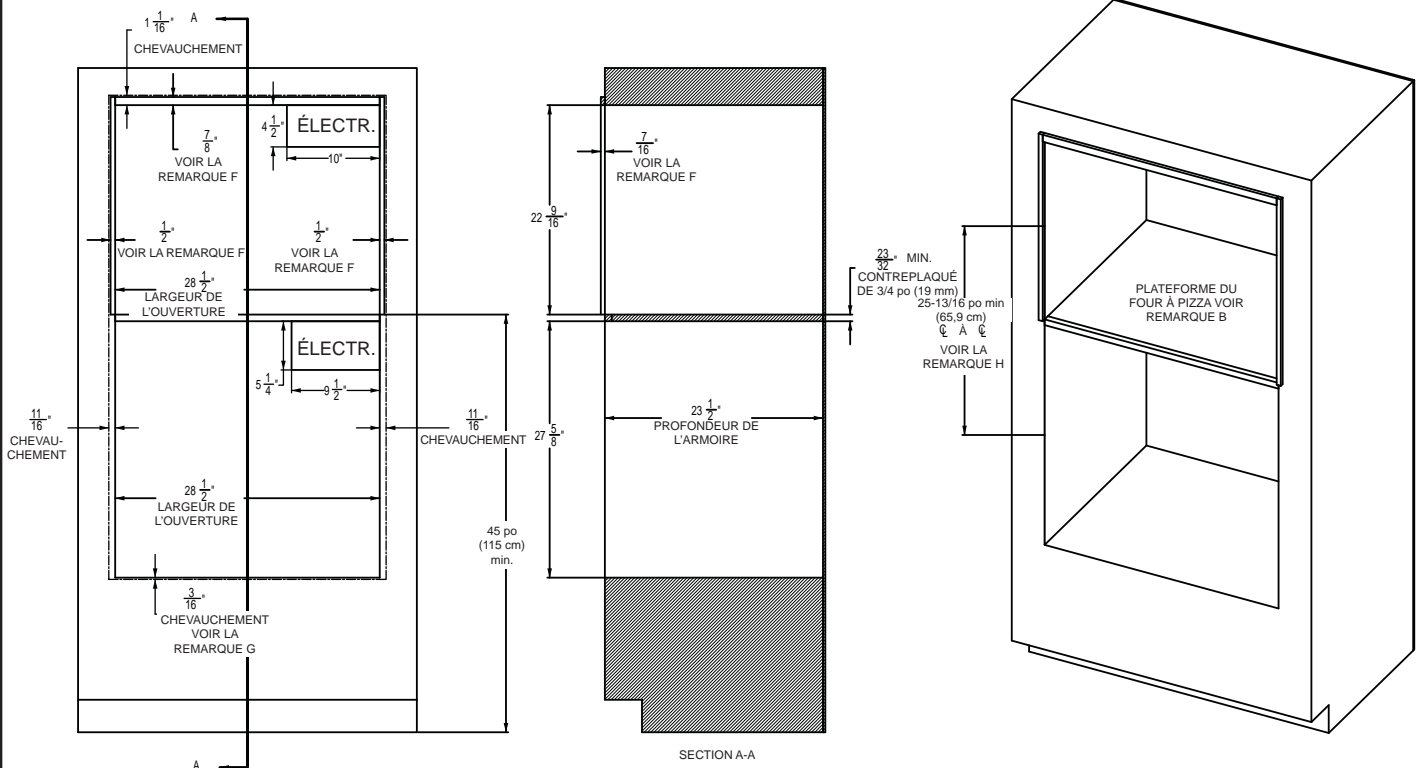
D Emplacement de la boîte de jonction : Doit affleurer la surface arrière afin de ne pas dépasser la profondeur de 24-15/16 po (63,3 cm) de l'armoire. La boîte de jonction peut également être située dans une armoire adjacente.



Installations

1 C FOUR À PIZZA ENCASTRÉ AU-DESSUS D'UN FOUR ENCASTRÉ – INSTALLATION STANDARD AVEC UN ÉCART MINIMUM ENTRE LES DEUX

- A** La hauteur d'installation minimale requise est de 45 po (115 cm). Le four peut être installé plus haut selon les préférences du propriétaire.
- B** La plateforme du four à pizza doit pouvoir supporter un poids de 200 lb. (91 kg). Pour cette installation, il est fortement recommandé de fixer la plateforme dans les parois latérales à l'aide d'une menuiserie en bois telle qu'un joint enclavé. Des fixations et de la colle à bois sont également recommandées afin de renforcer davantage le joint de la menuiserie. Les fibres du bois de la plateforme doivent être orientées de gauche à droite. La surface du nez avant de la plateforme doit avoir un aspect fini. Voir les illustrations 1Q et 1R pour les concepts de menuiserie.
- C** Une enceinte robuste est requise sur le dessus, le dessous, les côtés gauche et droit et à l'arrière. La surface arrière peut être une cloison sèche. Des techniques de fabrication et d'assemblage avancées sont fortement encouragées pour s'assurer que les armoires sont d'équerre et parallèles.
- D** Emplacement de la boîte de jonction : Doit affleurer la surface arrière afin de ne pas dépasser la profondeur de 23-1/2 po (60 cm) de l'armoire. La boîte de jonction peut également être située dans une armoire adjacente.
- E** Un jeu d'au moins 1/8 po (3 mm) doit être prévu AU-DELÀ des dimensions du CHEVAUCHEMENT pour assurer le dégagement approprié du tiroir et de la porte.
- F** Des taquets extérieurs peuvent être ajoutés aux côtés et au-dessus de l'ouverture du four à pizza afin d'aligner la surface avant du four à pizza avec la surface avant du four encastré situé en dessous. Finir selon les exigences du client. Un fini noir mat peut mieux correspondre à l'apparence latérale du four ci-dessous.
- G** Pour le FOUR ENCASTRÉ INFÉRIEUR, il est recommandé d'utiliser une GARNITURE D'ÉVENT INFÉRIEUR en aluminium extrudé. Une garniture d'évent en aluminium est déjà incluse dans les modèles de fours encastrés commençant par « ZTSX ». Pour les modèles commençant par « ZTS », le nécessaire de garniture d'évent ZX30VT1 doit être commandé. Ce dernier comprend la garniture d'évent en aluminium et la quincaillerie de montage. Il est également possible d'utiliser la garniture en acier inoxydable incluse avec tous les modèles dans cette configuration en armoire. Veillez à ajuster la dimension du « chevauchement » associée à la garniture en acier inoxydable. Appelez le 1-800-626-2000 pour obtenir des réponses à vos questions.
- H** La dimension de la ligne d'ouverture est prise au niveau de l'OUVERTURE FRONTALE de chaque enceinte.



Installations

1 D FOUR À PIZZA ENCASTRÉ AU-DESSUS D'UN FOUR ENCASTRÉ – INSTALLATION AFFLEURANTE AVEC UN ÉCART MINIMUM ENTRE LES DEUX

A La hauteur d'installation minimale requise est de 45 po (115 cm). Le four peut être installé plus haut selon les préférences du propriétaire.

B La plateforme du four à pizza doit pouvoir supporter un poids de 200 lb. (91 kg). Pour cette installation, il est fortement recommandé de fixer la plateforme dans les parois latérales à l'aide d'une menuiserie en bois telle qu'un joint enclavé. Des fixations et de la colle à bois sont également recommandées afin de renforcer davantage le joint de la menuiserie. Les fibres du bois de la plateforme doivent être orientées de gauche à droite. La surface du nez avant de la plateforme doit avoir un aspect fini. Voir les illustrations 1Q et 1R pour les concepts de menuiserie.

C Une enceinte robuste est requise sur le dessus, le dessous, les côtés gauche et droit et à l'arrière. La surface arrière peut être une cloison sèche. Des techniques de fabrication et d'assemblage avancées sont fortement encouragées pour s'assurer que les armoires sont d'équerre et parallèles.

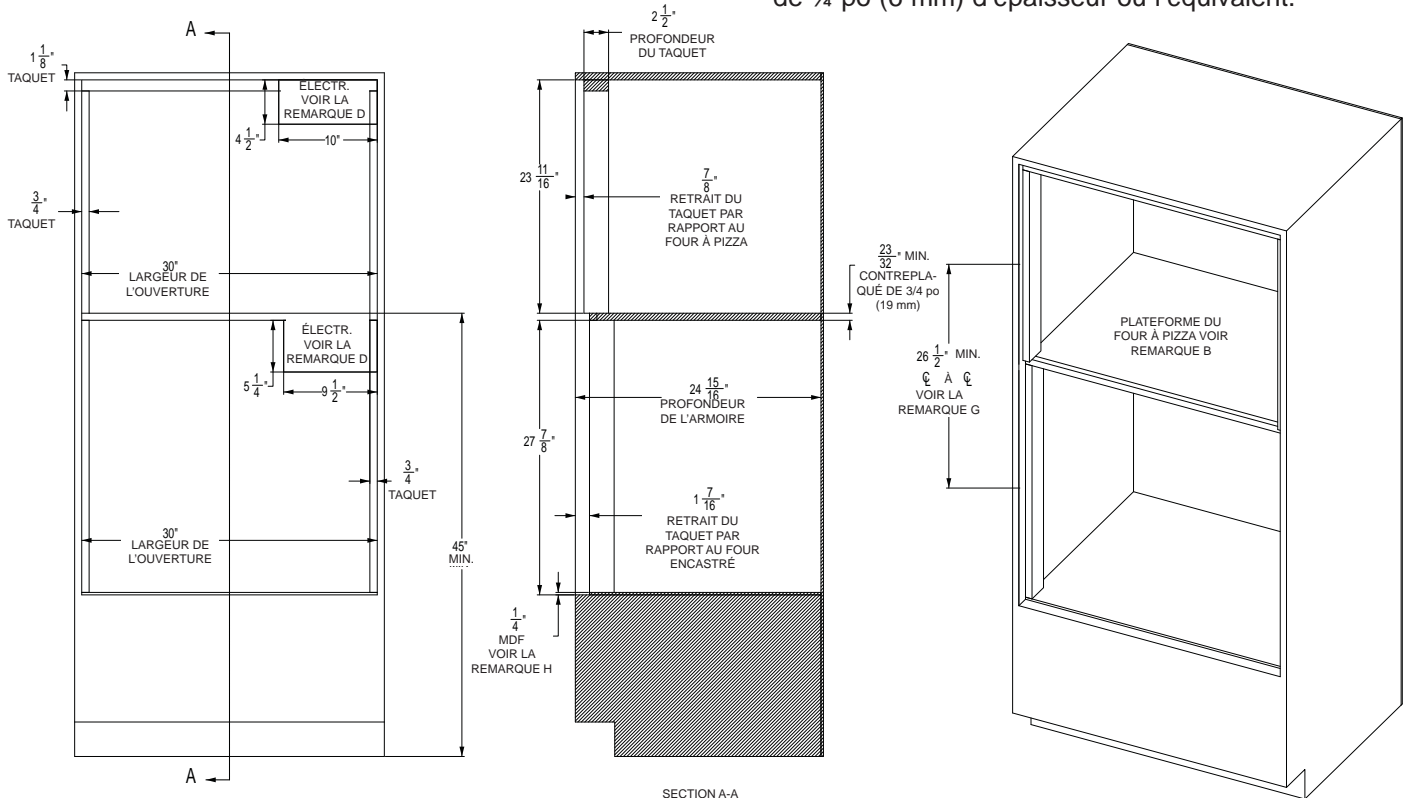
D Emplacement de la boîte de jonction : Doit affleurer la surface arrière afin de ne pas dépasser la profondeur de 24-15/16 po (63,3 cm) de l'armoire. La boîte de jonction peut également être située dans une armoire adjacente.

E La surface avant des taquets intérieurs doit avoir un aspect fini.

F La GARNITURE D'ÉVENT INFÉRIEUR en aluminium extrudé du four encastré est REQUISE. Une garniture d'évent en aluminium est déjà incluse dans les modèles de fours encastrés commençant par « ZTSX ». Pour les modèles commençant par « ZTS », le nécessaire de garniture d'évent ZX30VT1 doit être commandé. Ce dernier comprend la garniture d'évent en aluminium et la quincaillerie de montage. Appelez le 1-800-626-2000 pour obtenir des réponses à vos questions.

G La dimension de la ligne d'ouverture est prise au niveau de l'OUVERTURE FRONTALE de chaque enceinte.

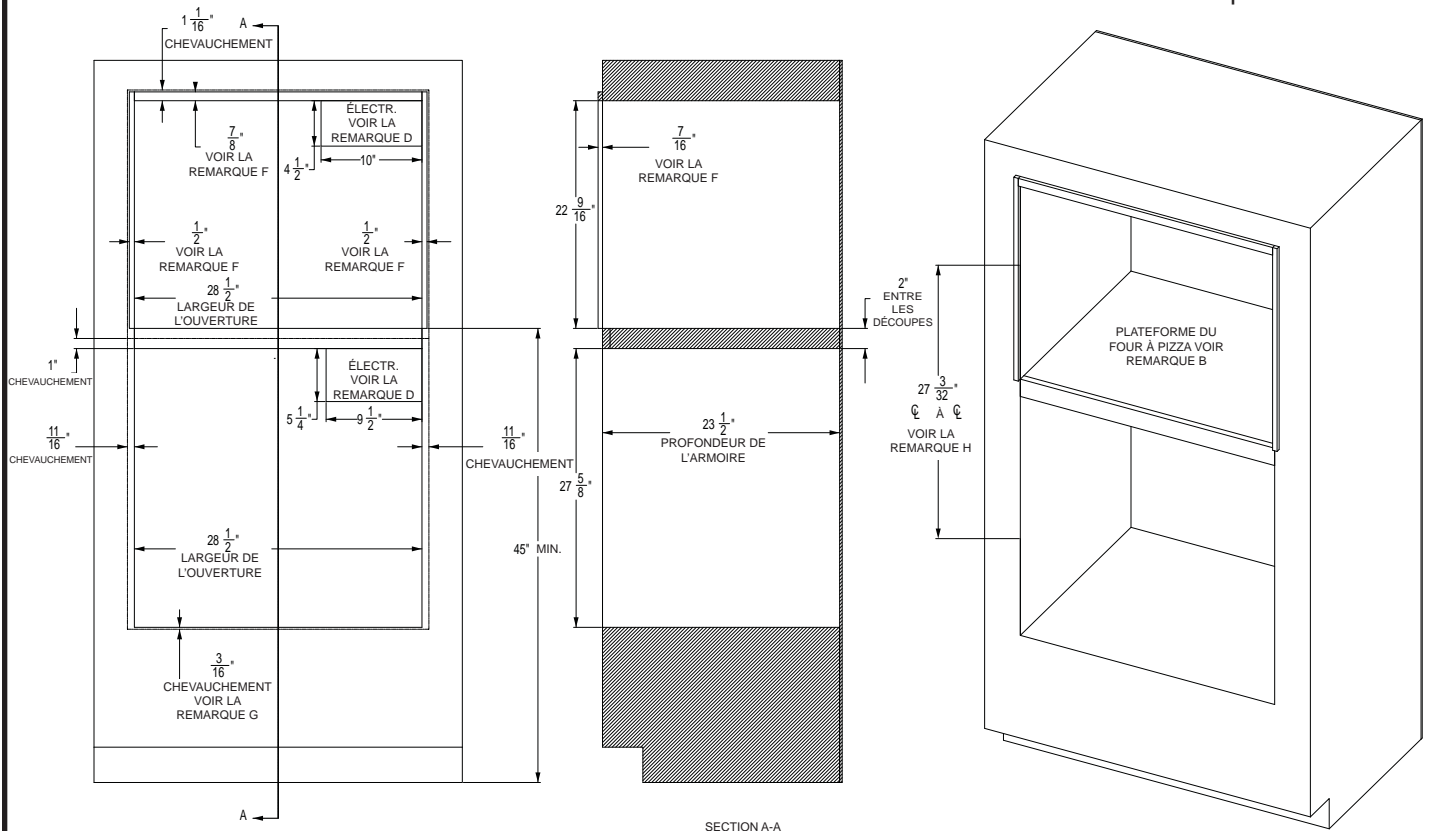
H Le taquet de la surface inférieure du four encastré doit être un panneau de fibres à densité moyenne de 1/4 po (6 mm) d'épaisseur ou l'équivalent.



Installations

1 E FOUR À PIZZA ENCASTRÉ AU-DESSUS D'UN FOUR ENCASTRÉ – INSTALLATION STANDARD AVEC UNE PLATEFORME DE 2 PO (5 CM) ENTRE LES DEUX

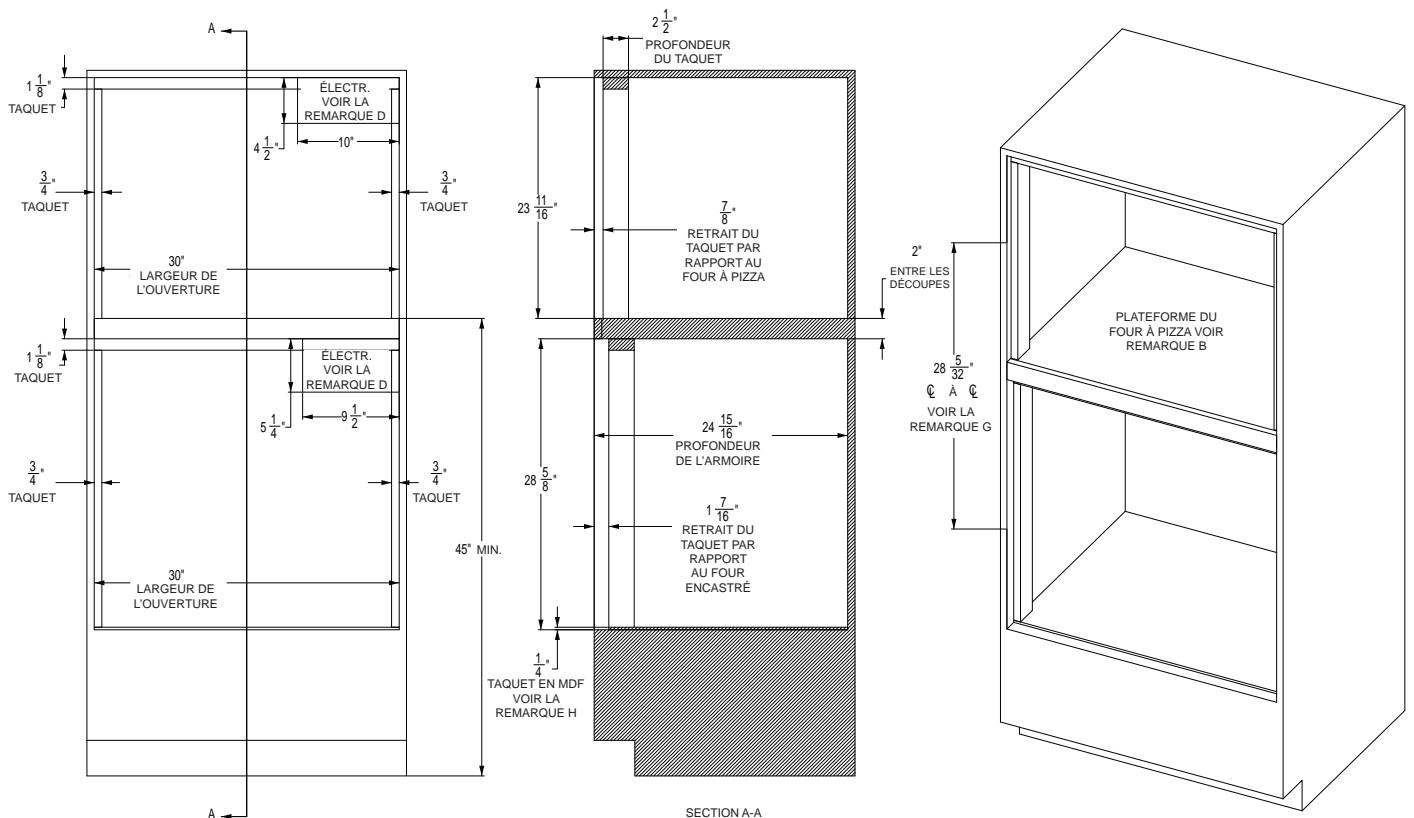
- A** La hauteur d'installation minimale requise est de 45 po (115 cm). Le four peut être installé plus haut selon les préférences du propriétaire.
- B** La plateforme du four à pizza doit pouvoir supporter un poids de 200 lb. (91 kg).
- C** Une enceinte robuste est requise sur le dessus, le dessous, les côtés gauche et droit et à l'arrière. La surface arrière peut être une cloison sèche. Des techniques de fabrication et d'assemblage avancées sont fortement encouragées pour s'assurer que les armoires sont d'équerre et parallèles.
- D** Emplacement de la boîte de jonction : Doit affleurer la surface arrière afin de ne pas dépasser la profondeur de 23-1/2 po (60 cm) de l'armoire. La boîte de jonction peut également être située dans une armoire adjacente.
- E** Un jeu d'au moins 1/8 po (3 mm) doit être prévu AU-DELÀ des dimensions du CHEVAUCHEMENT pour assurer le dégagement approprié du tiroir et de la porte.
- F** Des taquets extérieurs peuvent être ajoutés aux côtés et au-dessus de l'ouverture du four à pizza afin d'aligner la surface avant du four à pizza avec la surface avant du four encastré situé en dessous. Finir selon les exigences du client. Un fini noir mat peut mieux correspondre à l'apparence latérale du four ci-dessous.
- G** Pour le FOUR ENCASTRÉ INFÉRIEUR, il est recommandé d'utiliser une GARNITURE D'ÉVENT INFÉRIEUR en aluminium extrudé. Une garniture d'évent en aluminium est déjà incluse dans les modèles de fours encastrés commençant par « ZTSX ». Pour les modèles commençant par « ZTS », le nécessaire de garniture d'évent ZX30VT1 doit être commandé. Ce dernier comprend la garniture d'évent en aluminium et la quincaillerie de montage. Il est également possible d'utiliser la garniture en acier inoxydable incluse avec tous les modèles dans cette configuration en armoire. Veillez à ajuster la dimension du « chevauchement » associée à la garniture en acier inoxydable. Appelez le 1-800-626-2000 pour obtenir des réponses à vos questions.
- H** La dimension de la ligne d'ouverture est prise au niveau de l'OUVERTURE FRONTALE de chaque enceinte.



Installations

1 F FOUR À PIZZA ENCASTRÉ AU-DESSUS D'UN FOUR ENCASTRÉ – INSTALLATION AFFLEURANTE AVEC UNE PLATEFORME DE 2 PO (5 CM) ENTRE LES DEUX

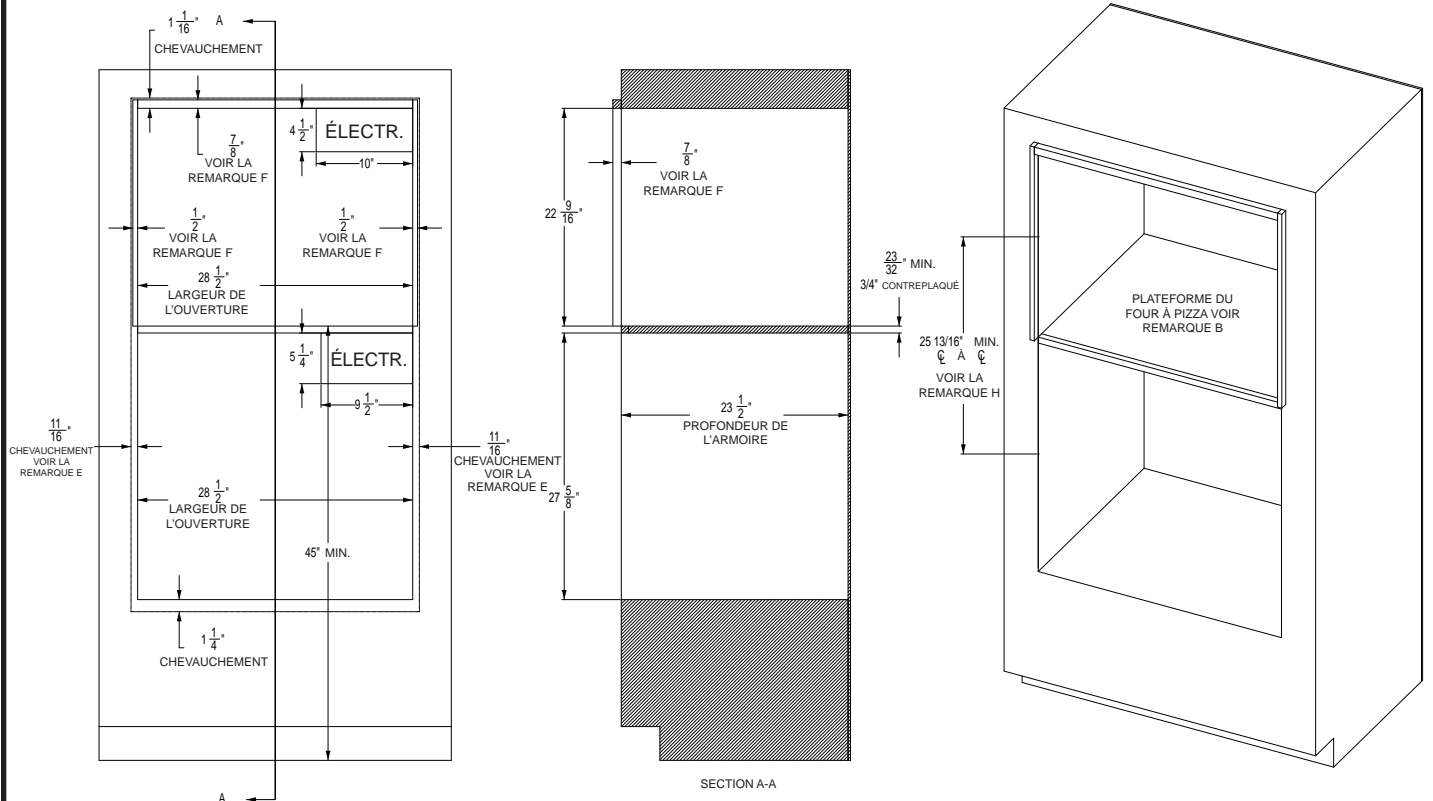
- A** La hauteur d'installation minimale requise est de 45 po (115 cm). Le four peut être installé plus haut selon les préférences du propriétaire.
- B** La plateforme du four à pizza doit pouvoir supporter un poids de 200 lb. (91 kg).
- C** Une enceinte robuste est requise sur le dessus, le dessous, les côtés gauche et droit et à l'arrière. La surface arrière peut être une cloison sèche. Des techniques de fabrication et d'assemblage avancées sont fortement encouragées pour s'assurer que les armoires sont d'équerre et parallèles.
- D** Emplacement de la boîte de jonction : Doit affleurer la surface arrière afin de ne pas dépasser la profondeur de 24-15/16 po (63,3 cm) de l'armoire. La boîte de jonction peut également être située dans une armoire adjacente.
- E** La surface avant des taquets intérieurs doit avoir un aspect fini.
- F** La GARNITURE D'ÉVENT INFÉRIEUR en aluminium extrudé du four encastré est REQUISE. Une garniture d'évent en aluminium est déjà incluse dans les modèles de fours encastrés commençant par « ZTSX ». Pour les modèles commençant par « ZTS », le nécessaire de garniture d'évent ZX30VT1 doit être commandé. Ce dernier comprend la garniture d'évent en aluminium et la quincaillerie de montage. Appelez le 1-800-626-2000 pour obtenir des réponses à vos questions.
- G** La dimension de la ligne d'ouverture est prise au niveau de l'OUVERTURE FRONTALE de chaque enceinte.
- H** Le taquet de la surface inférieure du four encastré doit être un panneau de MDF de 1/4 po (6 mm) d'épaisseur ou l'équivalent.



Installations

1 G FOUR À PIZZA ENCASTRÉ AU-DESSUS DE PORTES DOUBLES – INSTALLATION STANDARD AVEC UN ÉCART MINIMUM ENTRE LES DEUX

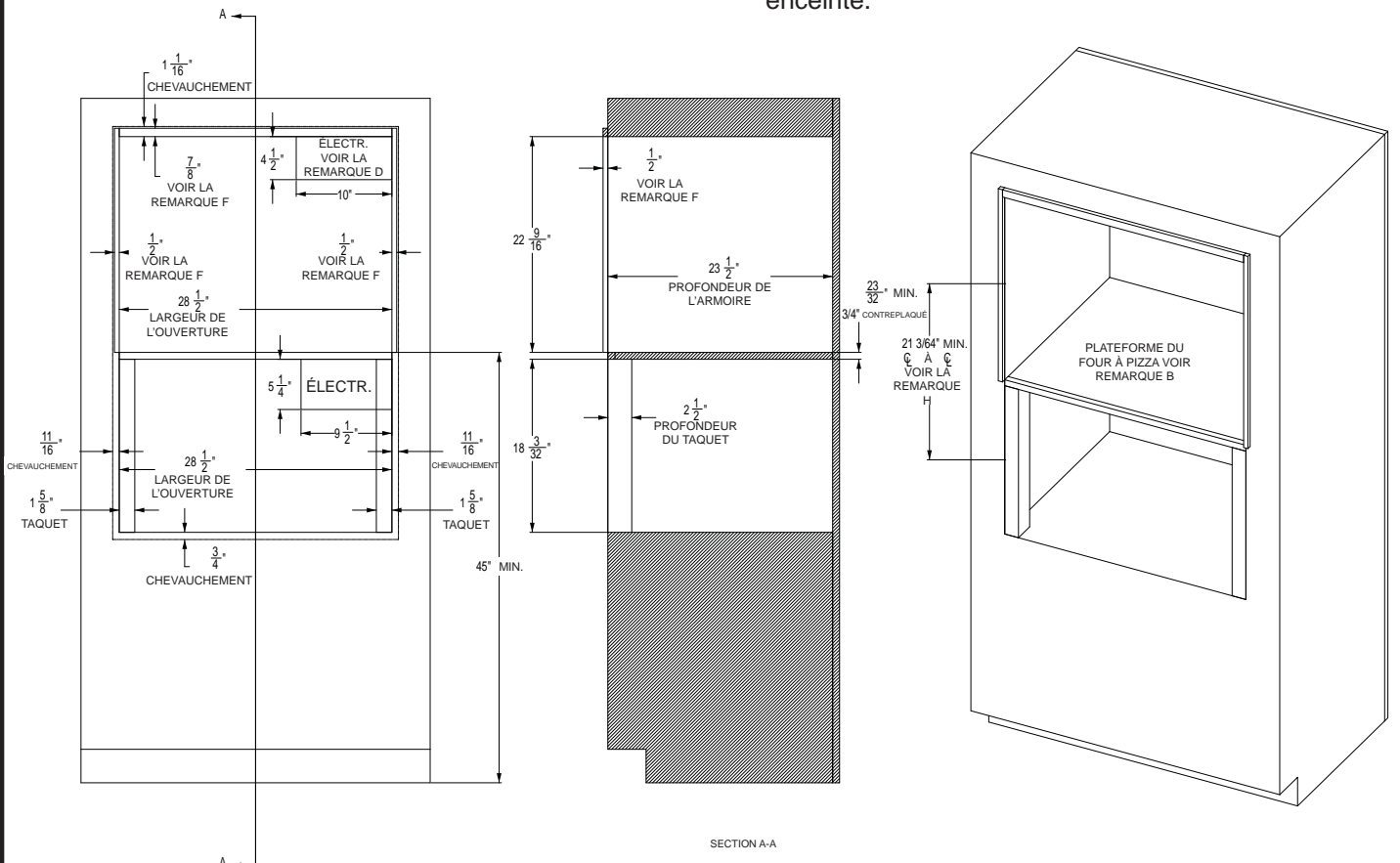
- A** La hauteur d'installation minimale requise est de 45 po (115 cm). Le four peut être installé plus haut selon les préférences du propriétaire.
- B** La plateforme du four à pizza doit pouvoir supporter un poids de 200 lb. (91 kg).
- C** Une enceinte robuste est requise sur le dessus, le dessous, les côtés gauche et droit et à l'arrière. La surface arrière peut être une cloison sèche. Des techniques de fabrication et d'assemblage avancées sont fortement encouragées pour s'assurer que les armoires sont d'équerre et parallèles.
- D** Emplacement de la boîte de jonction : Doit affleurer la surface arrière afin de ne pas dépasser la profondeur de 23-1/2 po (60 cm) de l'armoire. La boîte de jonction peut également être située dans une armoire adjacente.
- E** Un jeu d'au moins 1/8 po (3 mm) doit être prévu AU-DELÀ des dimensions du CHEVAUCHEMENT pour assurer le dégagement approprié du tiroir et de la porte. Pour le four mural à porte française inférieure, consultez soigneusement les contraintes d'ouverture de porte imposées par les comptoirs, murs et devants d'armoires situés à proximité afin d'ajuster la valeur de chevauchement en conséquence.
- F** Des taquets extérieurs peuvent être ajoutés aux côtés et au-dessus de l'ouverture du four à pizza afin d'aligner la surface avant du four à pizza avec la surface avant du four encastré situé en dessous. Finir selon les exigences du client. Un fini noir mat peut mieux correspondre à l'apparence latérale du four ci-dessous.
- G** Pour le FOUR ENCASTRÉ À PORTE DOUBLE, la garniture inférieure en acier inoxydable fournie avec l'appareil est la seule option.
- H** La dimension de la ligne d'ouverture est prise au niveau de l'OUVERTURE FRONTALE de chaque enceinte.



Installations

1 I FOUR À PIZZA ENCASTRÉ AU-DESSUS D'UN FOUR À VAPEUR – INSTALLATION STANDARD AVEC UN ÉCART MINIMUM ENTRE LES DEUX

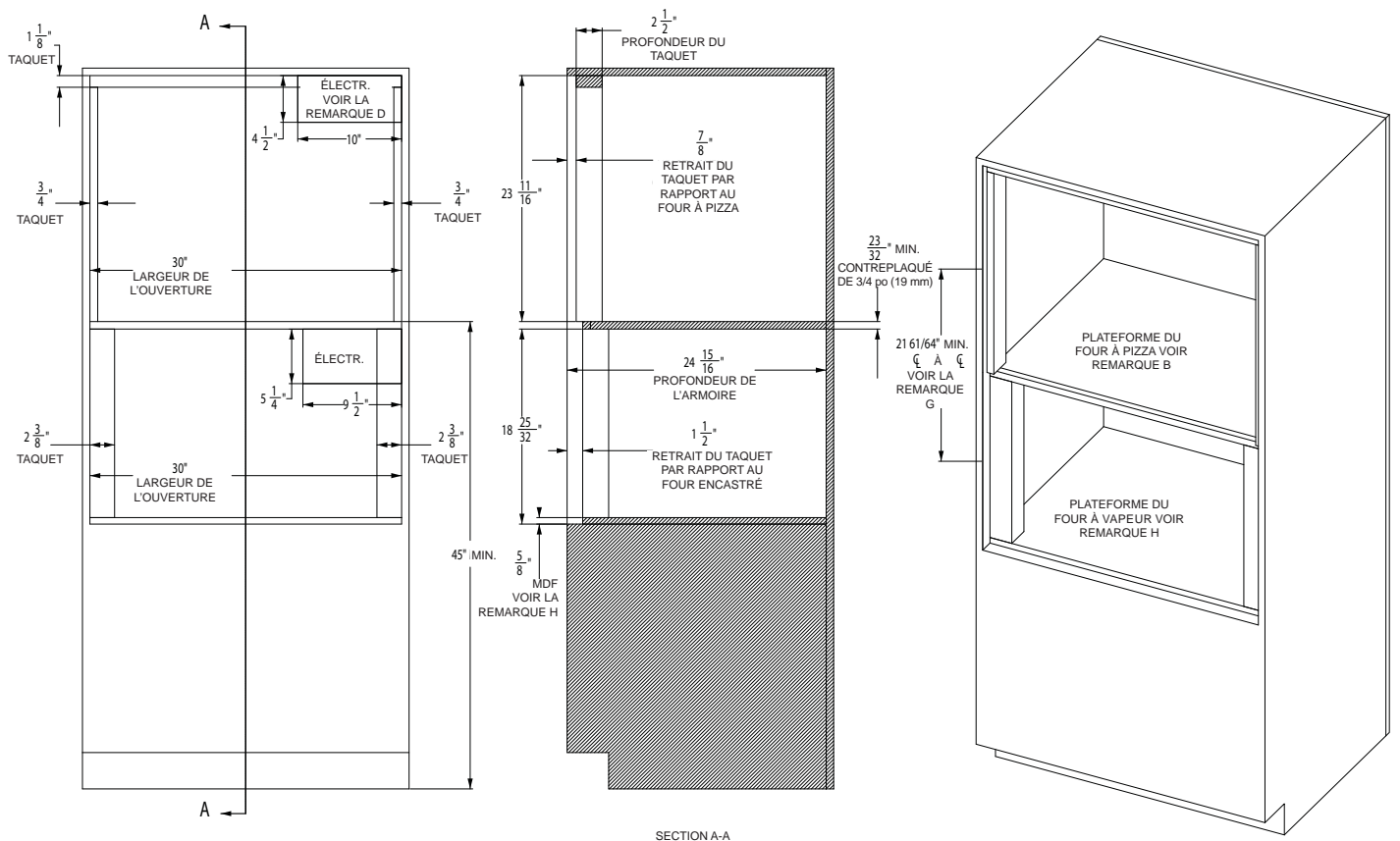
- A** La hauteur d'installation minimale requise est de 45 po (115 cm). Le four peut être installé plus haut selon les préférences du propriétaire.
- B** La plateforme du four à pizza doit pouvoir supporter un poids de 200 lb. (91 kg). Pour cette installation, il est fortement recommandé de fixer la plateforme dans les parois latérales à l'aide d'une menuiserie en bois telle qu'un joint enclavé. Des fixations et de la colle à bois sont également recommandées afin de renforcer davantage le joint de la menuiserie. Les fibres du bois de la plateforme doivent être orientées de gauche à droite. La surface du nez avant de la plateforme doit avoir un aspect fini. Voir les illustrations 1Q et 1R pour les concepts de menuiserie.
- C** Une enceinte robuste est requise sur le dessus, le dessous, les côtés gauche et droit et à l'arrière. La surface arrière peut être une cloison sèche. Des techniques de fabrication et d'assemblage avancées sont fortement encouragées pour s'assurer que les armoires sont d'équerre et parallèles.
- D** Emplacement de la boîte de jonction : Doit affleurer la surface arrière afin de ne pas dépasser la profondeur de 23-1/2 po (60 cm) de l'armoire. La boîte de jonction peut également être située dans une armoire adjacente.
- E** Un jeu d'au moins 1/8 po (3 mm) doit être prévu AU-DELÀ des dimensions du CHEVAUCHEMENT pour assurer le dégagement approprié du tiroir et de la porte.
- F** Des taquets extérieurs peuvent être ajoutés aux côtés et au-dessus de l'ouverture du four à pizza afin d'aligner la surface avant du four à pizza avec la surface avant du four encastré situé en dessous. Finir selon les exigences du client. Un fini noir mat peut mieux correspondre à l'apparence latérale du four ci-dessous.
- G** Une GARNITURE D'ÉVENT INFÉRIEURE FACULTATIVE n'est pas disponible pour cette configuration d'armoire.
- H** La dimension de la ligne d'ouverture est prise au niveau de l'OUVERTURE FRONTALE de chaque enceinte.



Installations

1 J FOUR À PIZZA ENCASTRÉ AU-DESSUS D'UN FOUR À VAPEUR – INSTALLATION AFFLEURANTE AVEC UN ÉCART MINIMUM ENTRE LES DEUX

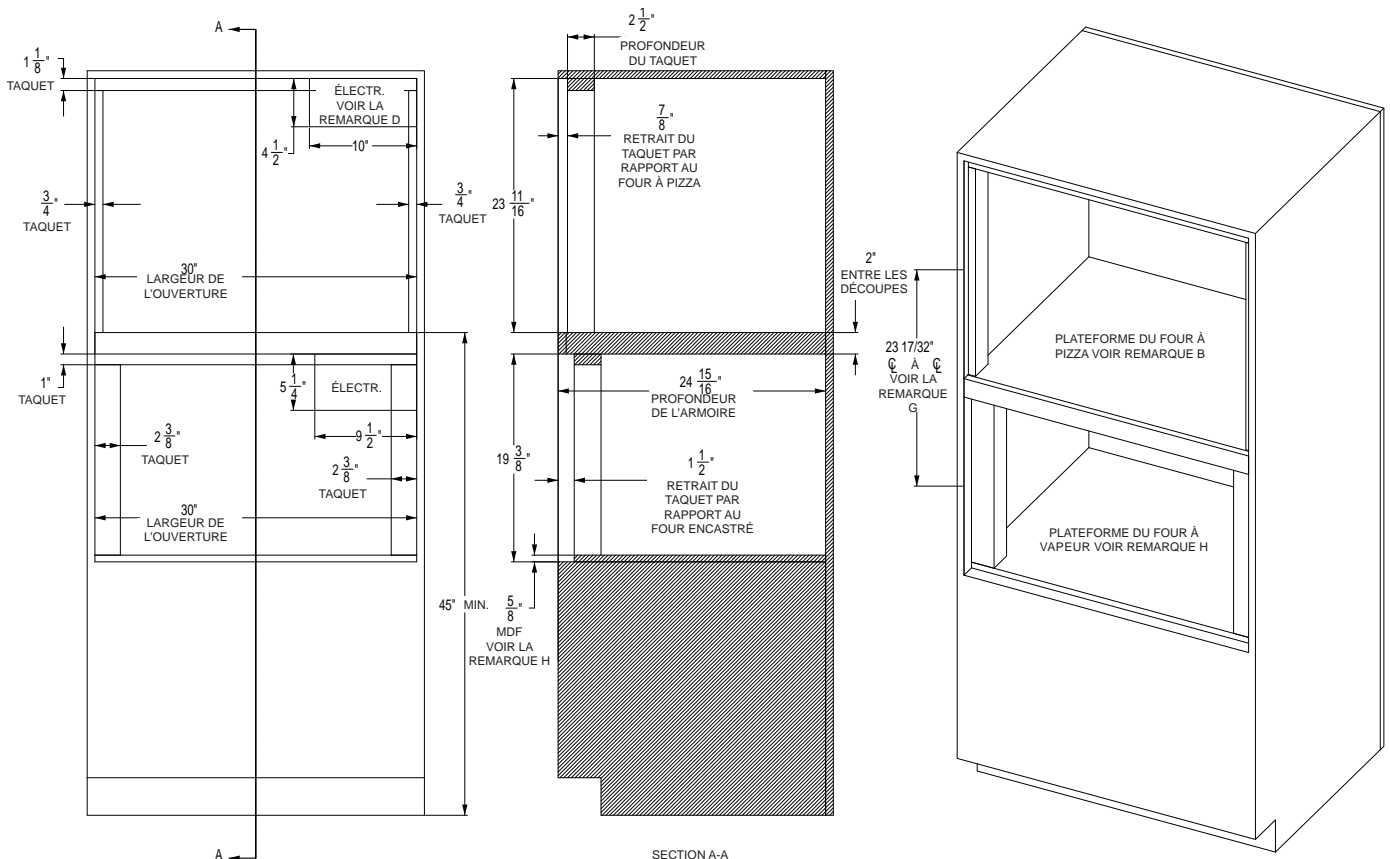
- A** La hauteur d'installation minimale requise est de 45 po (115 cm). Le four peut être installé plus haut selon les préférences du propriétaire.
- B** La plateforme du four à pizza doit pouvoir supporter un poids de 200 lb. (91 kg). Pour cette installation, il est fortement recommandé de fixer la plateforme dans les parois latérales à l'aide d'une menuiserie en bois telle qu'un joint enclavé. Des fixations et de la colle à bois sont également recommandées afin de renforcer davantage le joint de la menuiserie. Les fibres du bois de la plateforme doivent être orientées de gauche à droite. La surface du nez avant de la plateforme doit avoir un aspect fini. Voir les illustrations 1Q et 1R pour les concepts de menuiserie.
- C** Une enceinte robuste est requise sur le dessus, le dessous, les côtés gauche et droit et à l'arrière. La surface arrière peut être une cloison sèche. Des techniques de fabrication et d'assemblage avancées sont fortement encouragées pour s'assurer que les armoires sont d'équerre et parallèles.
- D** Emplacement de la boîte de jonction : Doit affleurer la surface arrière afin de ne pas dépasser la profondeur de 24-15/16 po (63,3 cm) de l'armoire. La boîte de jonction peut également être située dans une armoire adjacente.
- E** La surface avant des taquets intérieurs doit avoir un aspect fini.
- F** Un NÉCESSAIRE DE GARNITURE D'ÉVENT INFÉRIEURE FACULTATIVE peut être installé en modifiant la hauteur de L'OUVERTURE et du TAQUET INFÉRIEUR. Le nécessaire de garniture ZXSTEAM1 peut être utilisé avec une hauteur D'OUVERTURE de 19-25/32 po (50,2 cm) et une hauteur de TAQUET INFÉRIEUR de 1-5/8 po (4,1 cm). Veuillez appeler le 1-800-626-2000 si vous avez des questions.
- G** La dimension de la ligne d'ouverture est prise au niveau de l'OUVERTURE FRONTALE de chaque enceinte.
- H** Le taquet de la surface inférieure du four à vapeur doit être un panneau de fibres à densité moyenne de 5/8 po (16 mm) d'épaisseur ou l'équivalent.



Installations

1 L FOUR À PIZZA ENCASTRÉ AU-DESSUS D'UN FOUR À VAPEUR – INSTALLATION AFFLEURANTE AVEC UNE PLATEFORME DE 2 PO (5 CM) ENTRE LES DEUX

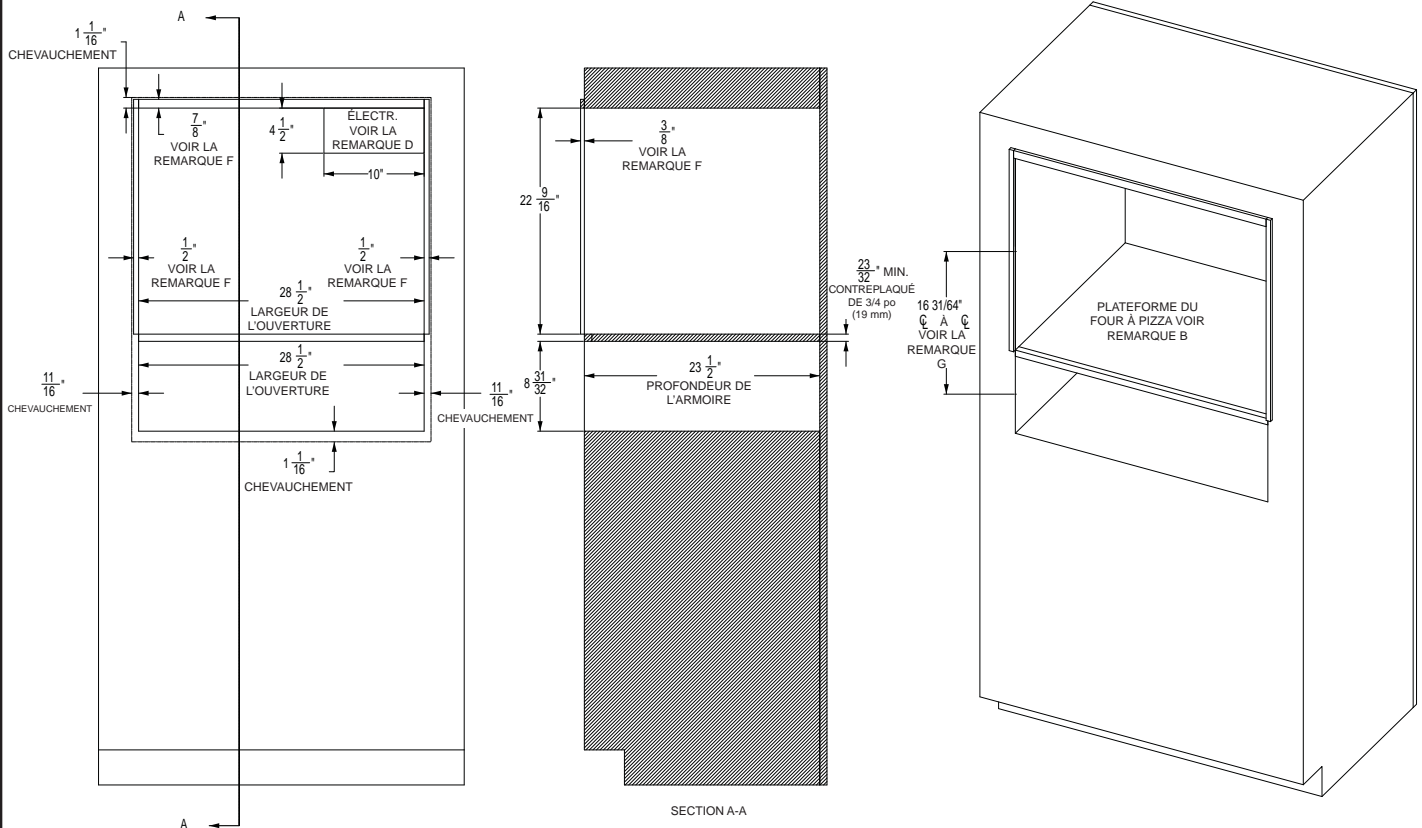
- A** La hauteur d'installation minimale requise est de 45 po (115 cm). Le four peut être installé plus haut selon les préférences du propriétaire.
- B** La plateforme du four à pizza doit pouvoir supporter un poids de 200 lb. (91 kg).
- C** Une enceinte robuste est requise sur le dessus, le dessous, les côtés gauche et droit et à l'arrière. La surface arrière peut être une cloison sèche. Des techniques de fabrication et d'assemblage avancées sont fortement encouragées pour s'assurer que les armoires sont d'équerre et parallèles.
- D** Emplacement de la boîte de jonction : Doit affleurer la surface arrière afin de ne pas dépasser la profondeur de 24-15/16 po (63,3 cm) de l'armoire. La boîte de jonction peut également être située dans une armoire adjacente.
- E** La surface avant des taquets intérieurs doit avoir un aspect fini.
- F** Un NÉCESSAIRE DE GARNITURE D'ÉVENT INFÉRIEURE FACULTATIVE peut être installé en modifiant la hauteur de L'OUVERTURE et du TAQUET INFÉRIEUR. Le nécessaire de finition ZXSTEAM1 peut être utilisé avec une hauteur D'OUVERTURE de 20-3/8 po (51,8 cm) et une hauteur de TAQUET INFÉRIEUR de 1-5/8 po (4,1 cm). Veuillez appeler le 1-800-626-2000 si vous avez des questions.
- G** La dimension de la ligne d'ouverture est prise au niveau de l'OUVERTURE FRONTALE de chaque enceinte.
- H** Le taquet de la surface inférieure du four à vapeur doit être un panneau de fibres à densité moyenne de 5/8 po (16 mm) d'épaisseur ou l'équivalent.



Installations

1 M FOUR À PIZZA ENCASTRÉ AU-DESSUS D'UN TIROIR-RÉCHAUD – INSTALLATION STANDARD AVEC UN ÉCART MINIMUM ENTRE LES DEUX

- A** La hauteur d'installation minimale requise est de 45 po (115 cm). Le four peut être installé plus haut selon les préférences du propriétaire.
- B** La plateforme du four à pizza doit pouvoir supporter un poids de 200 lb. (91 kg). Pour cette installation, il est fortement recommandé de fixer la plateforme dans les parois latérales à l'aide d'une menuiserie en bois telle qu'un joint enclavé. Des fixations et de la colle à bois sont également recommandées afin de renforcer davantage le joint de la menuiserie. Les fibres du bois de la plateforme doivent être orientées de gauche à droite. La surface du nez avant de la plateforme doit avoir un aspect fini. Voir les illustrations 1Q et 1R pour les concepts de menuiserie.
- C** Une enceinte robuste est requise sur le dessus, le dessous, les côtés gauche et droit et à l'arrière. La surface arrière peut être une cloison sèche. Des techniques de fabrication et d'assemblage avancées sont fortement encouragées pour s'assurer que les armoires sont d'équerre et parallèles.
- D** Emplacement de la boîte de jonction : Doit affleurer la surface arrière afin de ne pas dépasser la profondeur de 23-1/2 po (60 cm) de l'armoire. La boîte de jonction peut également être située dans une armoire adjacente.
- E** Un jeu d'au moins 1/8 po (3 mm) doit être prévu AU-DELÀ des dimensions du CHEVAUCHEMENT pour assurer le dégagement approprié du tiroir et de la porte.
- F** Des taquets extérieurs peuvent être ajoutés aux côtés et au-dessus de l'ouverture du four à pizza afin d'aligner la surface avant du four à pizza avec la surface avant du four encastré situé en dessous. Finir selon les exigences du client. Un fini noir mat peut mieux correspondre à l'apparence latérale du four ci-dessous.
- G** La dimension de la ligne d'ouverture est prise au niveau de l'OUVERTURE FRONTALE de chaque enceinte.



Installations

1 N FOUR À PIZZA ENCASTRÉ AU-DESSUS D'UN TIROIR-RÉCHAUD – INSTALLATION AFFLEURANTE AVEC UN ÉCART MINIMUM ENTRE LES DEUX

A La hauteur d'installation minimale requise est de 45 po (115 cm). Le four peut être installé plus haut selon les préférences du propriétaire.

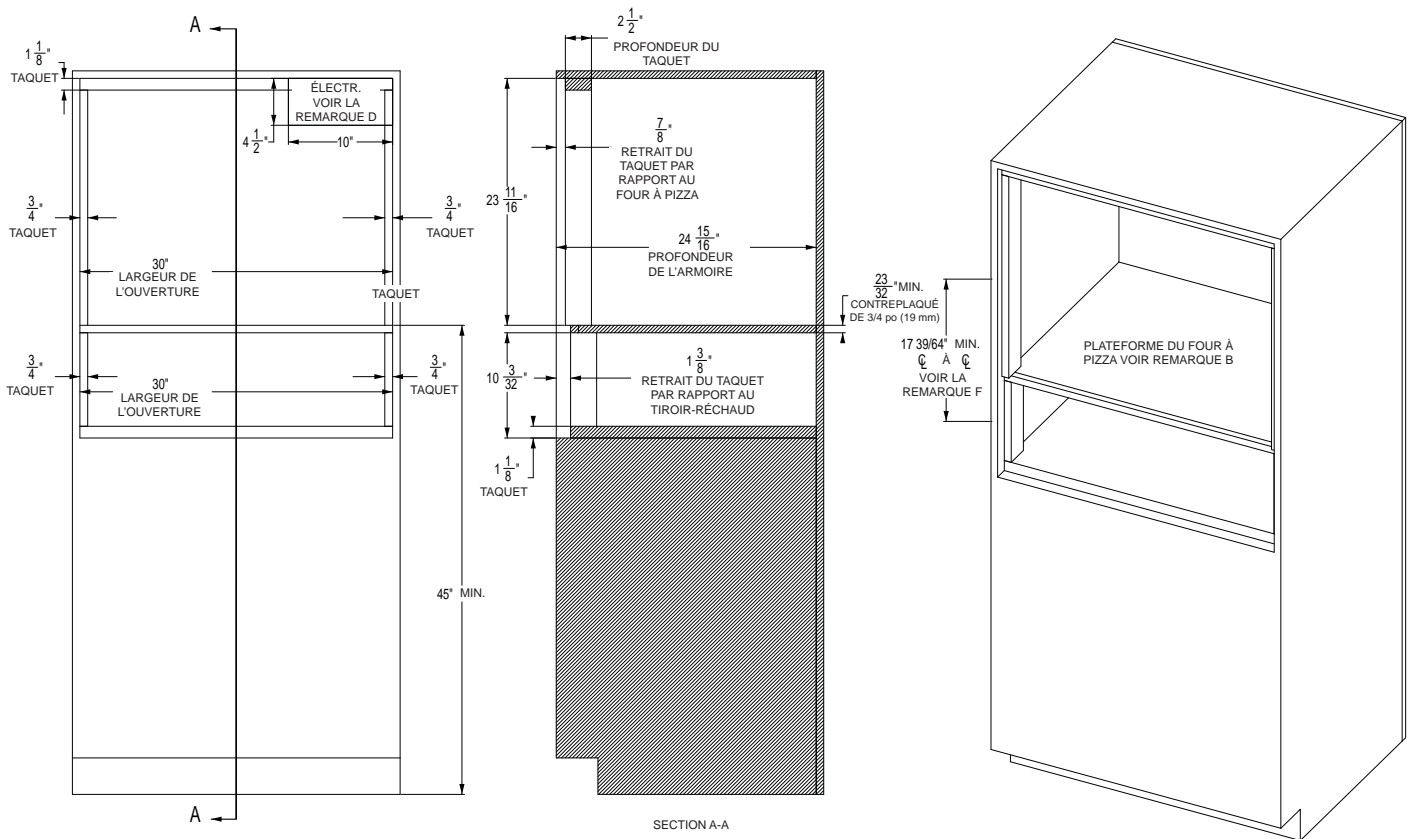
B La plateforme du four à pizza doit pouvoir supporter un poids de 200 lb. (91 kg). Pour cette installation, il est fortement recommandé de fixer la plateforme dans les parois latérales à l'aide d'une menuiserie en bois telle qu'un joint enclavé. Des fixations et de la colle à bois sont également recommandées afin de renforcer davantage le joint de la menuiserie. Les fibres du bois de la plateforme doivent être orientées de gauche à droite. La surface du nez avant de la plateforme doit avoir un aspect fini. Voir les illustrations 1Q et 1R pour les concepts de menuiserie.

C Une enceinte robuste est requise sur le dessus, le dessous, les côtés gauche et droit et à l'arrière. La surface arrière peut être une cloison sèche. Des techniques de fabrication et d'assemblage avancées sont fortement encouragées pour s'assurer que les armoires sont d'équerre et parallèles.

D Emplacement de la boîte de jonction : Doit affleurer la surface arrière afin de ne pas dépasser la profondeur de 24-15/16 po (63,3 cm) de l'armoire. La boîte de jonction peut également être située dans une armoire adjacente.

E La surface avant des taquets intérieurs doit avoir un aspect fini.

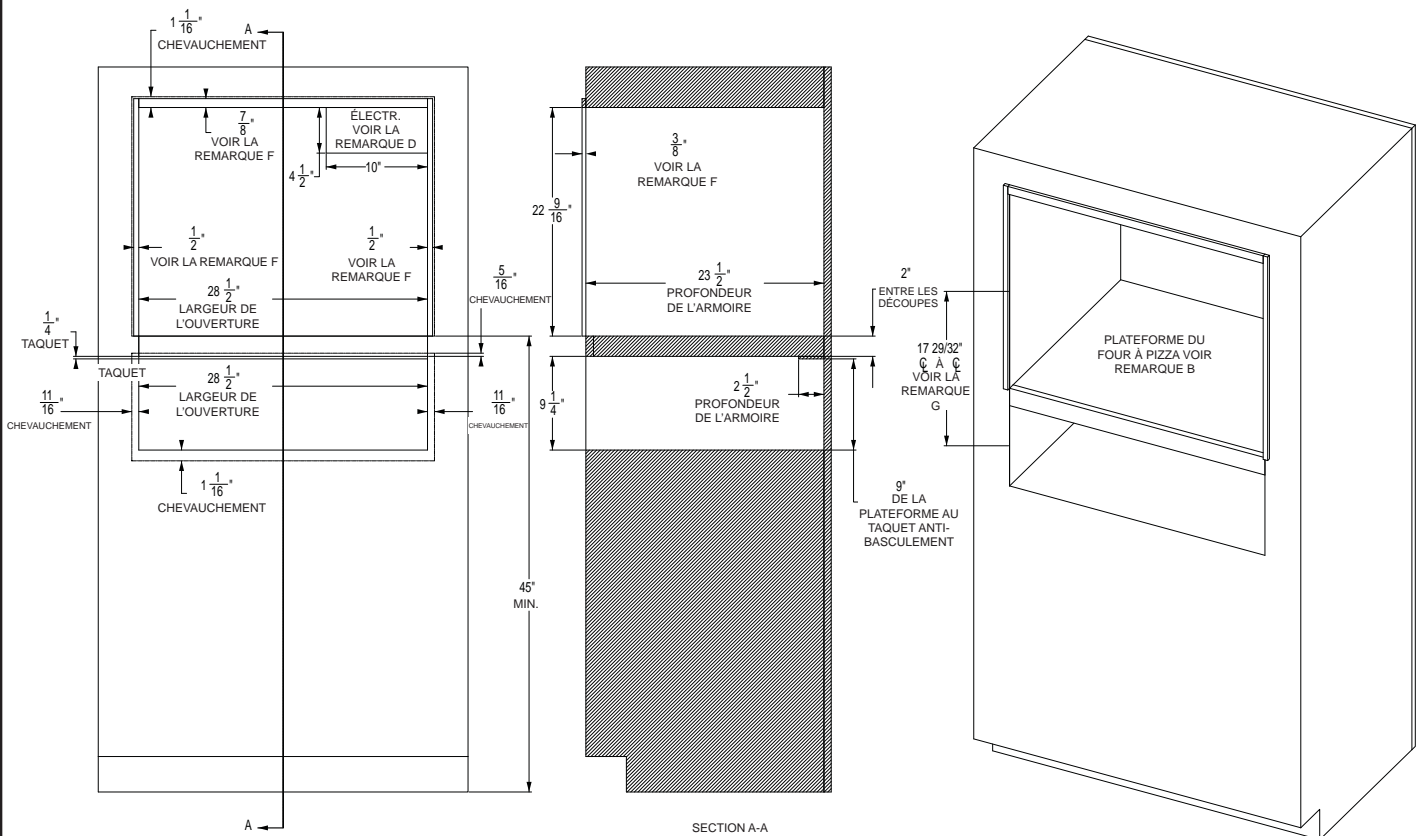
F La dimension de la ligne d'ouverture est prise au niveau de l'OUVERTURE FRONTALE de chaque enceinte.



Installations

1 O FOUR À PIZZA ENCASTRÉ AU-DESSUS D'UN TIROIR-RÉCHAUD – INSTALLATION STANDARD AVEC UNE PLATEFORME DE 2 PO (5 CM) ENTRE LES DEUX

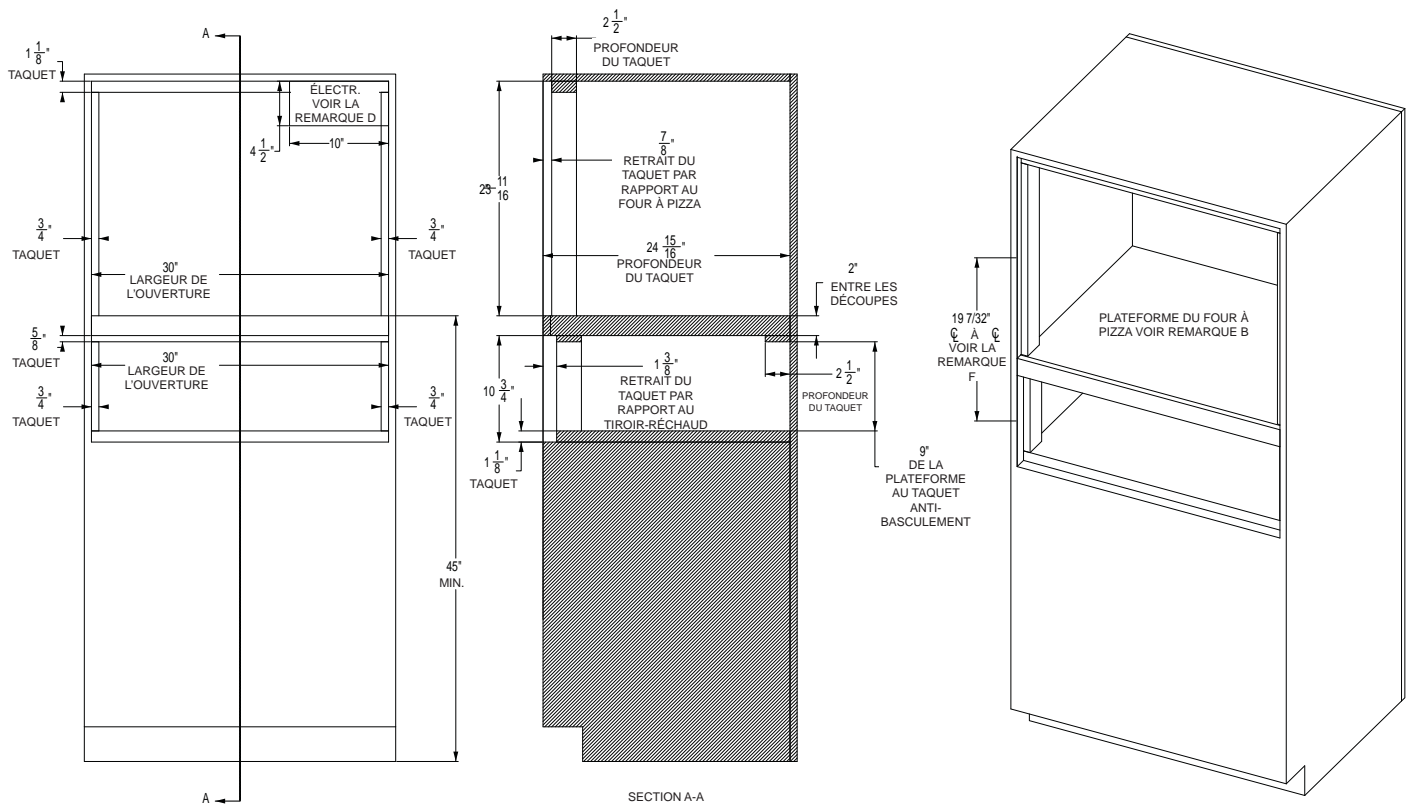
- A** La hauteur d'installation minimale requise est de 45 po (115 cm). Le four peut être installé plus haut selon les préférences du propriétaire.
- B** La plateforme du four à pizza doit pouvoir supporter un poids de 200 lb. (91 kg).
- C** Une enceinte robuste est requise sur le dessus, le dessous, les côtés gauche et droit et à l'arrière. La surface arrière peut être une cloison sèche. Des techniques de fabrication et d'assemblage avancées sont fortement encouragées pour s'assurer que les armoires sont d'équerre et parallèles.
- D** Emplacement de la boîte de jonction : Doit affleurer la surface arrière afin de ne pas dépasser la profondeur de 23-1/2 po (60 cm) de l'armoire. La boîte de jonction peut également être située dans une armoire adjacente.
- E** Un jeu d'au moins 1/8 po (3 mm) doit être prévu AU-DELÀ des dimensions du CHEVAUCHEMENT pour assurer le dégagement approprié du tiroir et de la porte.
- F** Des taquets extérieurs peuvent être ajoutés aux côtés et au-dessus de l'ouverture du four à pizza afin d'aligner la surface avant du four à pizza avec la surface avant du four encastré situé en dessous. Finir selon les exigences du client. Un fini noir mat peut mieux correspondre à l'apparence latérale du four ci-dessous.
- G** La dimension de la ligne d'ouverture est prise au niveau de l'OUVERTURE FRONTALE de chaque enceinte.



Installations

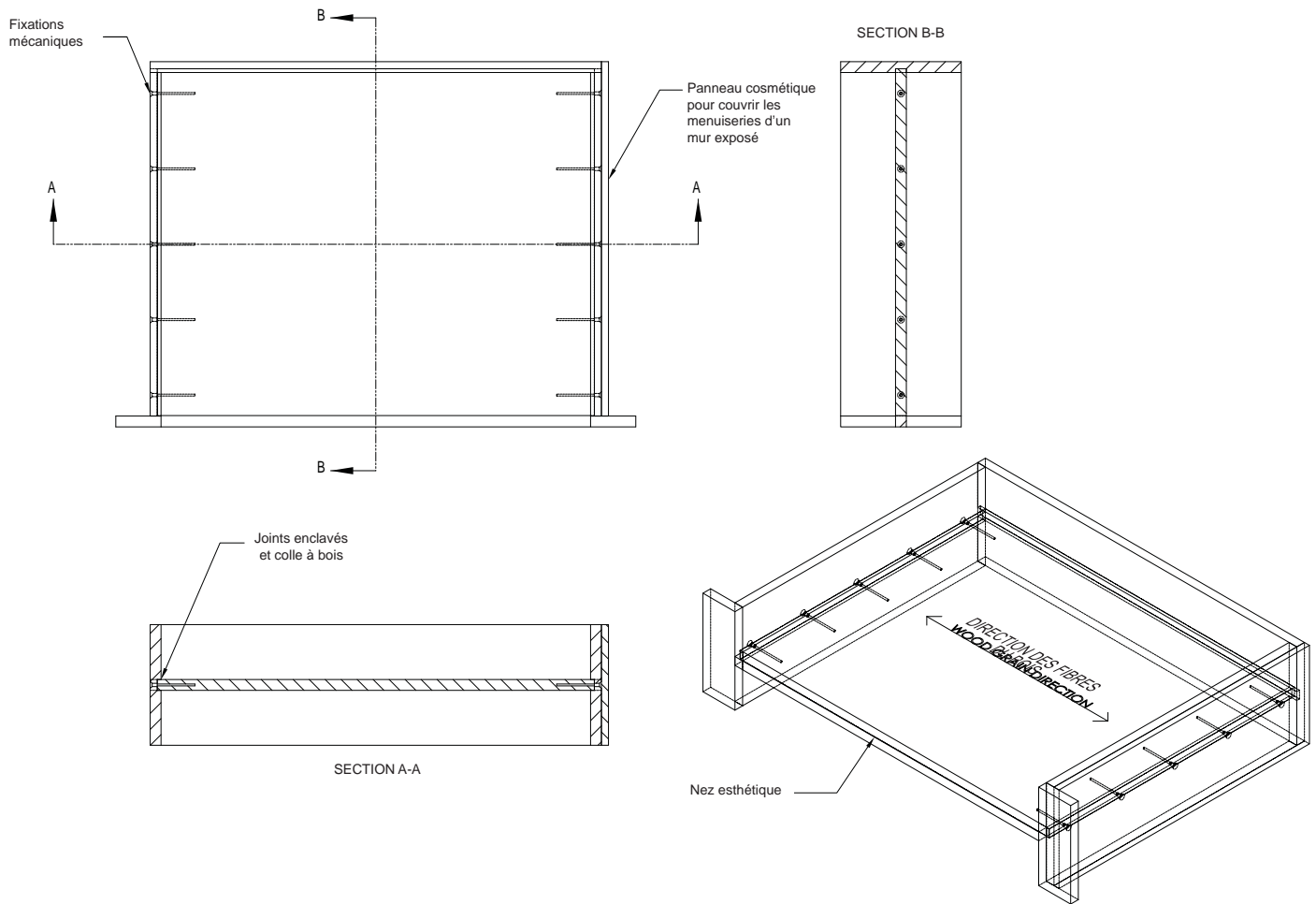
1 P FOUR À PIZZA ENCASTRÉ AU-DESSUS D'UN TIROIR RÉCHAUD – INSTALLATION AFFLEURANTE AVEC UNE PLATEFORME DE 2 PO (5 CM) ENTRE LES DEUX

- A** La hauteur d'installation minimale requise est de 45 po (115 cm). Le four peut être installé plus haut selon les préférences du propriétaire.
- B** La plateforme du four à pizza doit pouvoir supporter un poids de 200 lb. (91 kg).
- C** Une enceinte robuste est requise sur le dessus, le dessous, les côtés gauche et droit et à l'arrière. La surface arrière peut être une cloison sèche. Des techniques de fabrication et d'assemblage avancées sont fortement encouragées pour s'assurer que les armoires sont d'équerre et parallèles.
- D** Emplacement de la boîte de jonction : Doit affleurer la surface arrière afin de ne pas dépasser la profondeur de 24-15/16 po (63,3 cm) de l'armoire. La boîte de jonction peut également être située dans une armoire adjacente.
- E** La surface avant des taquets intérieurs doit avoir un aspect fini.
- F** La dimension de la ligne d'ouverture est prise au niveau de l'OUVERTURE FRONTALE de chaque enceinte.



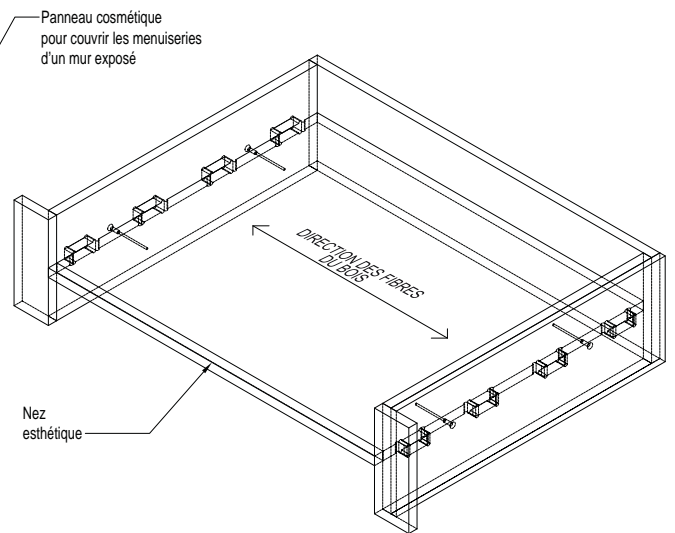
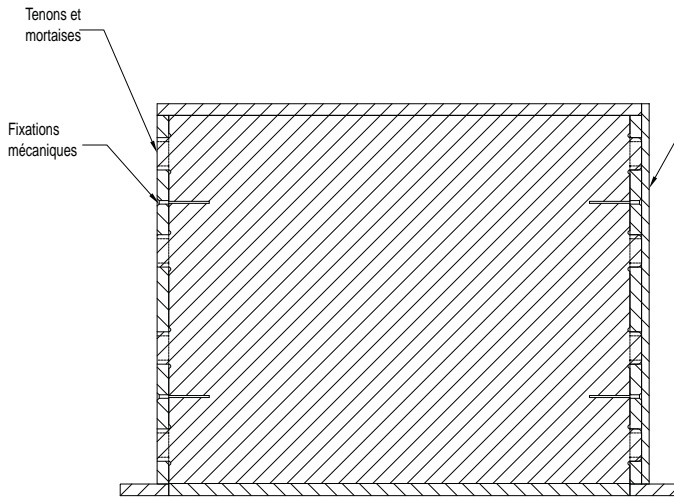
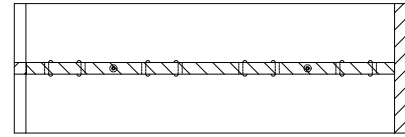
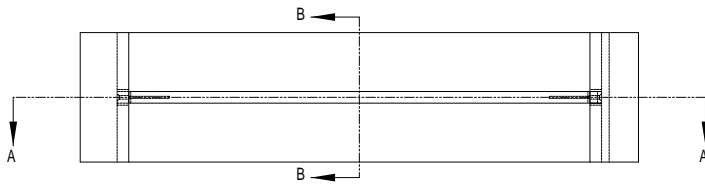
Installations

1 Q PLATEFORME DE FOUR À PIZZA POUR ÉCART MINIMUM ENTRE LES ÉLECTROMÉNAGERS : CONCEPT D'ATTACHE MÉCANIQUE ET JOINT ENCLAVÉ



Installations

1 R PLATEFORME DE FOUR À PIZZA POUR ÉCART MINIMUM ENTRE LES ÉLECTROMÉNAGERS : CONCEPT D'ATTACHE MÉCANIQUE ET TENONS



Installations

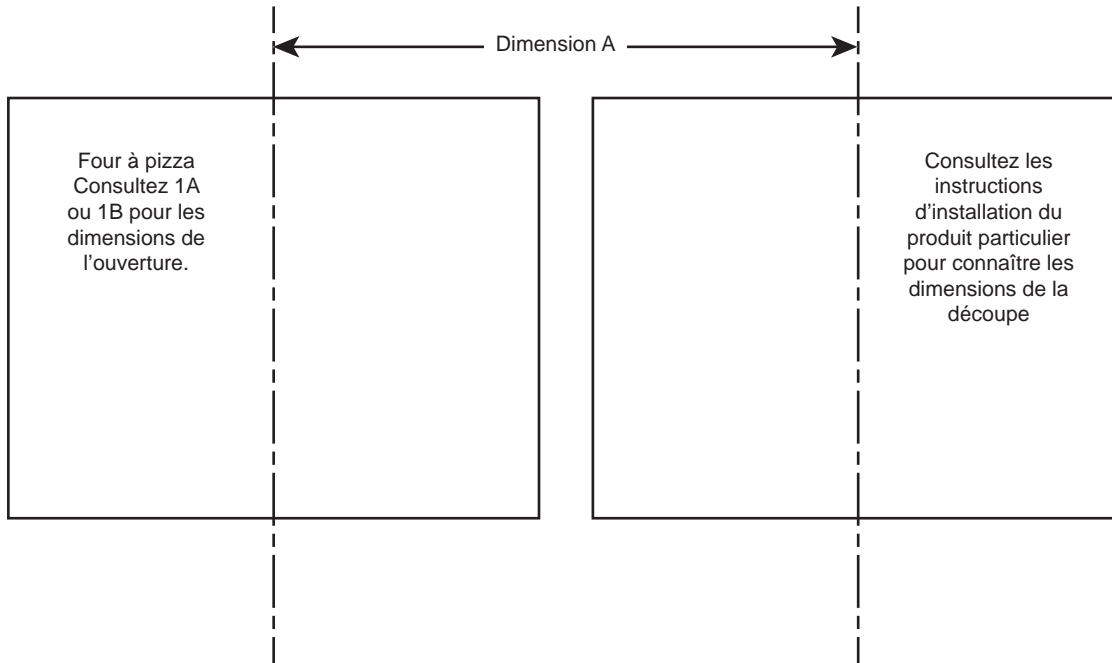
1 S INSTALLATION COMBINÉE CÔTE À CÔTE

Consultez

geappliances.com/combinations pour obtenir une liste des produits compatibles avec l'installation côte à côte du four à pizza.

Consultez la documentation d'installation des deux unités pour ce genre d'installation.

Pour obtenir de l'aide sur la conception d'un meuble, veuillez contacter un concepteur Monogram.



Type de four	Min. Distance – Dimension A Axe central de produit à produit
Four à pizza à côté d'un four encastré	30,5 po (77,5 cm)
Four à pizza à côté d'un four à vapeur	30,5 po (77,5 cm)
Four à pizza à côté d'un four encastré à portes doubles	42,5 po (108 cm)

Installation

2 RACCORDEMENTS ÉLECTRIQUES

AVERTISSEMENT DESTINÉ À L'INSTALLATEUR

Tous les fours encastrés électriques doivent être raccordés par câble (en ligne directe) à une boîte de jonction approuvée. L'utilisation d'une fiche et d'une prise est **INTERDITE** pour ce type d'appareil.

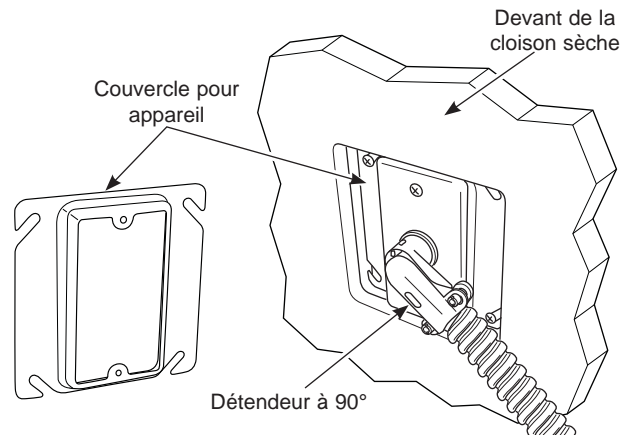
Ne raccourcissez pas le câble souple. Le collier de serrage du câble doit être bien fixé à la boîte de jonction et le câble souple doit être fermement attaché au collier de serrage. Si le câble souple ne rentre pas dans le collier de serrage, n'installez pas le four tant que vous ne disposez pas d'un collier de serrage de dimension appropriée.

REMARQUE DESTINÉE À L'ÉLECTRICIEN : Les 3 fils fournis avec cet appareil sont homologués UL pour un raccordement à des systèmes électriques résidentiels de calibre supérieur. L'isolation de ces 3 fils est certifiée pour une utilisation à des températures très supérieures à la température nominale d'un système électrique résidentiel. La capacité de transport actuelle du conducteur dépend du calibre du câble et de la température nominale de son isolation.

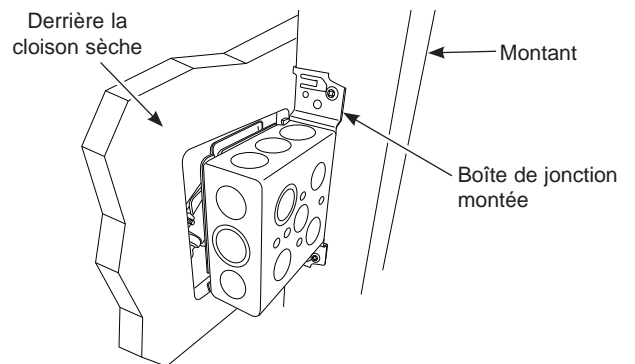
⚠ AVERTISSEMENT La connexion incorrecte du câblage domestique en aluminium à des fils de cuivre peut entraîner un risque électrique ou un incendie. Voyez l'avertissement de la page 2.

OPTIONS D'INSTALLATION RECOMMANDÉES

Option 1 – Une boîte de jonction avec une garniture pour cloison sèche et un détendeur à 90° montée sur un montant derrière la cloison sèche.

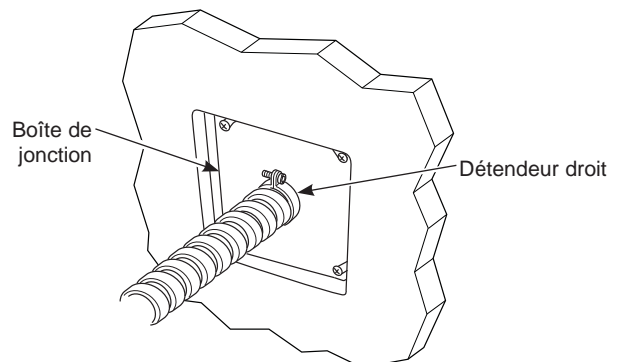


VUE AVANT



VUE ARRIÈRE

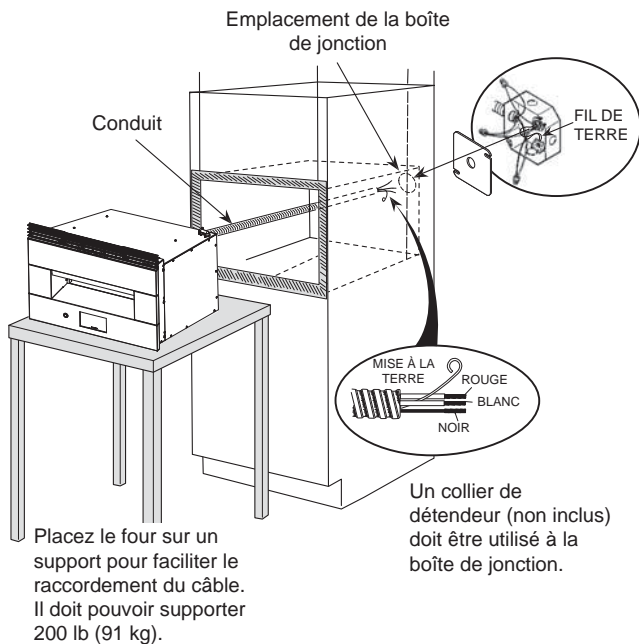
Option 2 – Une boîte de jonction standard avec un détendeur droit montée sur un montant derrière la cloison sèche.



Installation

2 RACCORDEMENTS ÉLECTRIQUES (suite)

1. Coupez le courant par l'entremise du disjoncteur ou retirez les fusibles du circuit de dérivation du four.
2. Avec le four posé sur une table ou une plateforme devant l'ouverture de l'armoire, raccordez le câble souple à la boîte de jonction électrique comme illustré ci-dessous. Le câble doit être positionné de façon à ce qu'il repose en formant une boucle naturelle dans la cavité de câble derrière l'appareil lorsque le four sera installé. Vous devez acheter un collier de détendeur approprié pour terminer le raccordement du câble à la boîte de jonction.



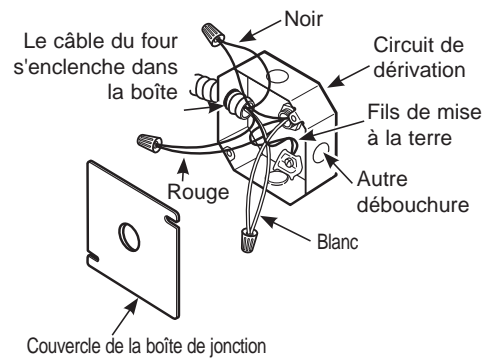
A NOUVELLE CONSTRUCTION ET RACCORDEMENT À UN CIRCUIT DE DÉRIVATION À QUATRE CONDUCTEURS

- Lorsque vous faites l'installation dans une nouvelle construction,
- une maison mobile,
- un véhicule récréatif, ou
- lorsque les codes locaux ne permettent pas la mise à la terre par le biais du conducteur neutre :

REMARQUE : Si les fils d'alimentation ou de mise à la terre du domicile sont des conducteurs en aluminium, reportez-vous à l'AVERTISSEMENT de la page 2.

Lorsque vous faites un raccordement à un circuit de dérivation à quatre conducteurs, si les codes locaux le permettent :

1. Détachez le fil neutre (blanc) des autres fils. Au besoin, coupez le fil neutre (blanc) et dénudez-le à nouveau pour exposer la bonne longueur de conducteur.
2. Raccordez le fil de terre de l'appareil (fil vert ou fil de cuivre nu) conformément aux codes locaux.



3. À l'aide d'un capuchon de connexion, raccordez le fil neutre (blanc) du four au fil neutre (blanc ou gris) du circuit de dérivation, conformément aux codes locaux.
4. À l'aide de capuchons de connexion, raccordez les fils rouge et noir du four aux fils rouge et noir du circuit de dérivation, conformément aux codes locaux.
5. Installez un collier de détendeur approprié.
6. Installez le couvercle de la boîte de jonction.

Installation

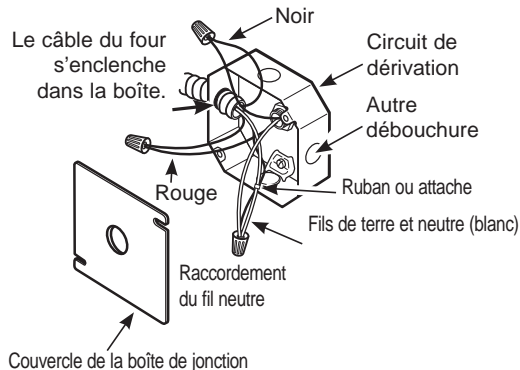
2 RACCORDEMENTS ÉLECTRIQUES (suite)

B RACCORDEMENT À UN CIRCUIT DE DÉRIVATION À TROIS CONDUCTEURS

REMARQUE : Si les fils d'alimentation ou de mise à la terre du domicile sont des conducteurs en aluminium, reportez-vous à l'AVERTISSEMENT de la page 2.

Lorsque vous faites un raccordement à un circuit de dérivation à trois conducteurs, si les codes locaux le permettent :

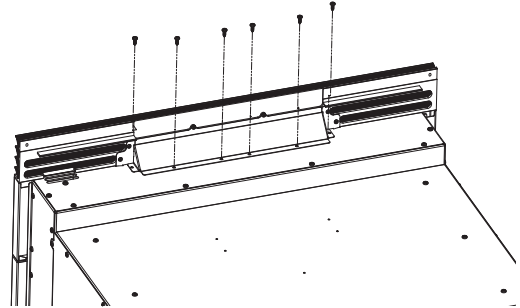
1. À l'aide d'un capuchon de connexion, raccordez le conducteur de terre du four avec le fil neutre (blanc) au fil neutre du circuit de dérivation (blanc ou gris).



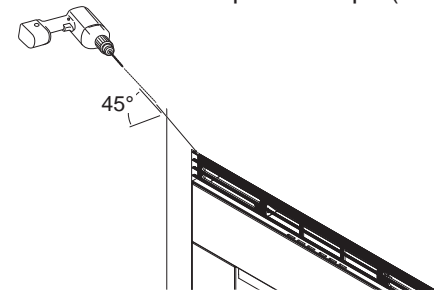
2. À l'aide de capuchons de connexion, raccordez les fils rouge et noir du four aux fils rouge et noir du circuit de dérivation, conformément aux codes locaux.
3. Installez un collier de détendeur approprié.
4. Installez le couvercle de la boîte de jonction.

3 INSTALLATION DU FOUR DANS L'ARMOIRE

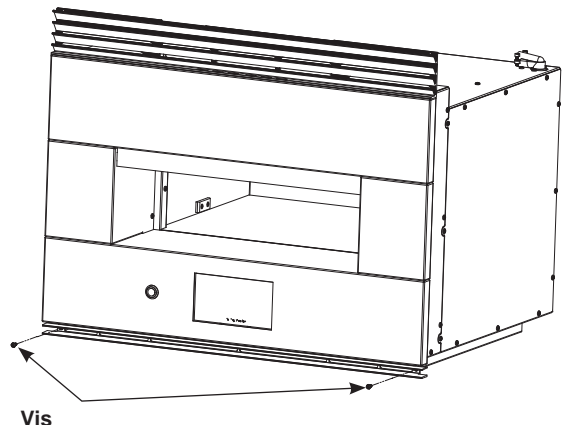
1. Avant de soulever le four à la découpe dans l'armoire, enlevez les six vis de l'évent supérieur et fixez la grille supérieure avec les mêmes vis, comme illustré.



2. Soulevez le four pour le mettre dans l'ouverture de l'armoire, en le tenant par le fond. Ne soulevez pas le four par son ouverture.
3. Glissez soigneusement le four dans la découpe jusqu'à ce que la grille supérieure touche légèrement la façade de l'armoire. **REMARQUE :** Ne poussez pas trop, car vous risquez d'endommager la grille supérieure.
4. Prépercez des trous de montage pour la grille supérieure dans l'armoire avec une mèche de 3/32 po en utilisant le trou dans la garniture comme guide. Posez deux vis Phillips de 3/4 po (19 mm).



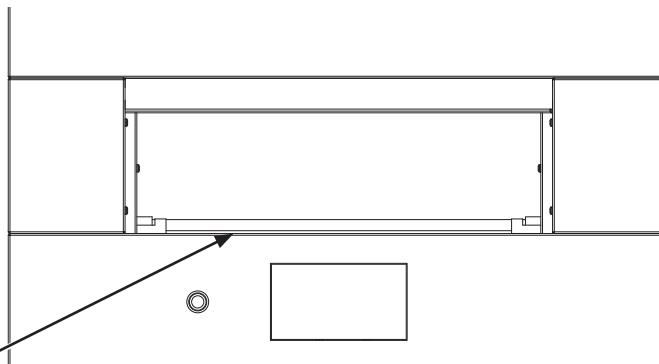
5. Une fois le four installé dans l'armoire, alignez la garniture d'évent inférieure avec les trous des supports de montage et installez-la à l'aide de deux vis Torx de 1/2 po (13 mm).



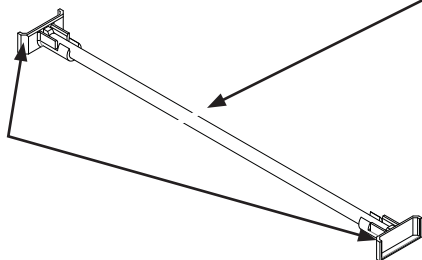
Installation

LISTE DE VÉRIFICATION AVANT ESSAI

- Retirez toute la pellicule protectrice, le cas échéant.
- Vérifiez que les fils sont bien fixés et qu'ils ne sont pas coincés.
- Enlevez les supports de transport de la plateforme de cuisson comme suit :
 1. Retirez la douille de support d'expédition en tirant vers le haut sur une extrémité.
 2. Retirez les deux patins de supports de transport et faites-les glisser de la paroi vers le centre de la pierre.
 3. Retirez-le du four et jetez-le.



Patins de support de transport



LISTE DE VÉRIFICATION DU FONCTIONNEMENT

IMPORTANT

- Retirez tous les objets du four.
- Vérifiez que le câble est bien raccordé à la boîte de jonction.
- Mettez le four sous tension (reportez-vous à votre Manuel de l'utilisateur). Vérifiez que toutes les fonctions de cuisson fonctionnent correctement.
- Vérifiez que le disjoncteur est enclenché ou que le fusible du circuit n'est pas grillé.
- Consultez le Manuel de l'utilisateur pour des renseignements supplémentaires.

REMARQUE DESTINÉE À L'ÉLECTRICIEN : Les fils fournis avec cet appareil sont homologués UL pour un raccordement à des systèmes électriques résidentiels de calibre supérieur. L'isolation de ces fils est certifiée pour une utilisation à des températures très supérieures à la température nominale d'un système électrique résidentiel. La capacité de transport actuelle du conducteur dépend du calibre du câble et de la température nominale de son isolation.

⚠ AVERTISSEMENT UN RACCORDEMENT INCORRECT DU CÂBLAGE EN ALUMINIUM DU DOMICILE À DES FILS EN CUIVRE PRÉSENTE UN RISQUE DE NATURE ÉLECTRIQUE OU PEUT ENTRAÎNER UN INCENDIE. REPORTEZ-VOUS À L'AVERTISSEMENT DE LA PAGE 2.

REMARQUE : Lors de la procédure d'installation décrite dans ce manuel, il est recommandé de porter des lunettes de sécurité.

REMARQUE : L'amélioration des produits est une préoccupation constante chez Électroménagers GE. Par conséquent, les matériaux, l'apparence et les spécifications peuvent être modifiés sans préavis.



INSTRUCCIONES DE INSTALACIÓN

**Horno de Hogar Para Interiores
ZEP30FR**

ESPAÑOL.

MONOGRAM.COM

Información de Seguridad

¿Desea realizar una consulta o necesita ayuda con su electrodoméstico? ¡Intente a través del sitio Web de Monogram las 24 horas del día, cualquier día del año! También puede comprar más grandiosos productos de Monogram y sacar ventaja de todos nuestros servicios de soporte a través de Internet, diseñados para su conveniencia. En EE.UU.: monogram.com o llame a Monogram al 800.444.1845.

PARA SU SEGURIDAD

- Cerciérese de que su horno sea instalado adecuadamente por un instalador calificado o por un técnico de servicio.
- Cerciérese de que su horno esté firmemente instalado en un gabinete que esté firmemente adherido a la estructura de la casa. Nunca permita que nadie se suba, se siente, se pare o se cuelgue del horno.
- Cerciérese de que los gabinetes y los revestimientos de la pared alrededor del horno puedan soportar las temperaturas (hasta 200°F [93,3°C]) generadas por el horno.

▲ADVERTENCIA La energía eléctrica hacia la línea de suministro del horno debe ser desconectada mientras se hacen las conexiones. No hacer esto podría resultar en lesiones graves e incluso provocar la muerte.

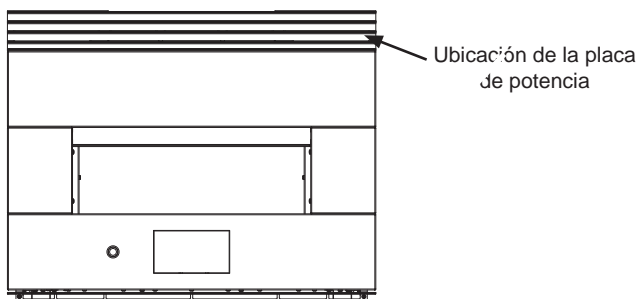
REQUISITOS ELÉCTRICOS

Este aparato debe abastecerse con la frecuencia y el voltaje adecuados, y conectarse a un circuito eléctrico individual con conexión a tierra con protección de un fusible o interruptor automático. Lea la etiqueta de características técnicas en la parte inferior del panel frontal, a fin de determinar las especificaciones del producto. El siguiente cuadro muestra la protección mínima recomendada para el circuito especializado.

Potencia KW 240V	Potencia KW 208V	Tamaño Requerido del Circuito (Especializado)
9,7 KW–12,0 KW	8,4 KW–10,4 KW	50 Amp

REQUISITOS ELÉCTRICOS

La etiqueta de características técnicas está ubicada en la parte superior derecha del panel frontal.



Recomendamos que el cableado y la conexión eléctrica de su horno los realice un electricista calificado. Después de la instalación, solicite al electricista que le indique cómo desconectar la energía de la cocina.

REQUISITOS ELÉCTRICOS (Cont.)

Consulte con su compañía de servicios local para obtener los códigos eléctricos que sean aplicables en su área. No hacer el cableado de su horno de manera apropiada, respetando los códigos vigentes, podría resultar en condiciones peligrosas. Si no existen códigos locales, su aparato debe usar un cableado y fusibles que cumplan con los requisitos del Código Eléctrico Nacional, ANSI/NFPA No. 70–Última edición. Usted puede obtener una copia de este código disponible en National Fire Protection Association (Asociación Nacional de Protección contra Incendios).

A partir del 1ro. de enero de 1996, el Código Eléctrico Nacional requiere que todas las construcciones nuevas, pero no existentes, usen una conexión de 4 conductores hacia cualquier horno eléctrico. Cuando instale un horno eléctrico en una construcción nueva, casa móvil, vehículo de recreación o un área donde los códigos locales prohíban la conexión a tierra a través del conductor neutro, siga las instrucciones en la Sección CONSTRUCCIONES NUEVAS Y CONEXIONES DE CIRCUITOS RAMALES DE 4 CONDUCTORES.

Usted debe usar un sistema eléctrico de fase única de 120/208 VAC o 120/240 VAC de 60 hertzios. Si hace una conexión a alambres de aluminio, debe usar conectores adecuadamente instalados que estén aprobados para ser utilizados con cableados de aluminio.

▲ADVERTENCIA Las instalaciones con Cableados Hogareños de Aluminio requieren atención:

- Una conexión incorrecta del cableado hogareño de aluminio a los cables de cobre del electrodoméstico podrán producir riesgos eléctricos o de incendio. Use los conductores designados para unir el cobre con el aluminio y siga el procedimiento recomendado por el fabricante de forma cuidadosa.
- Las conexiones de cables de Aluminio o Cobre se deberán realizar en conformidad con el Código Nacional de Electricidad (National Electrical Code), con los códigos locales y con las prácticas de cableado aceptadas en la industria.
- Si se agrega un compuesto antioxidante a los conectores del cableado, dicho compuesto deberá pertenecer a la Lista de UL y deberá ser adecuado para los materiales, el voltaje y la temperatura de aplicación.
- Los conectores para unir cables de Aluminio y Cobre podrán poseer un tamaño más largo que los conectores estándar. Se recomienda el uso de una caja eléctrica con salida doble, o más grande para anexar los cableados de Aluminio y Cobre.

LEA Y GUARDE ESTAS INSTRUCCIONES

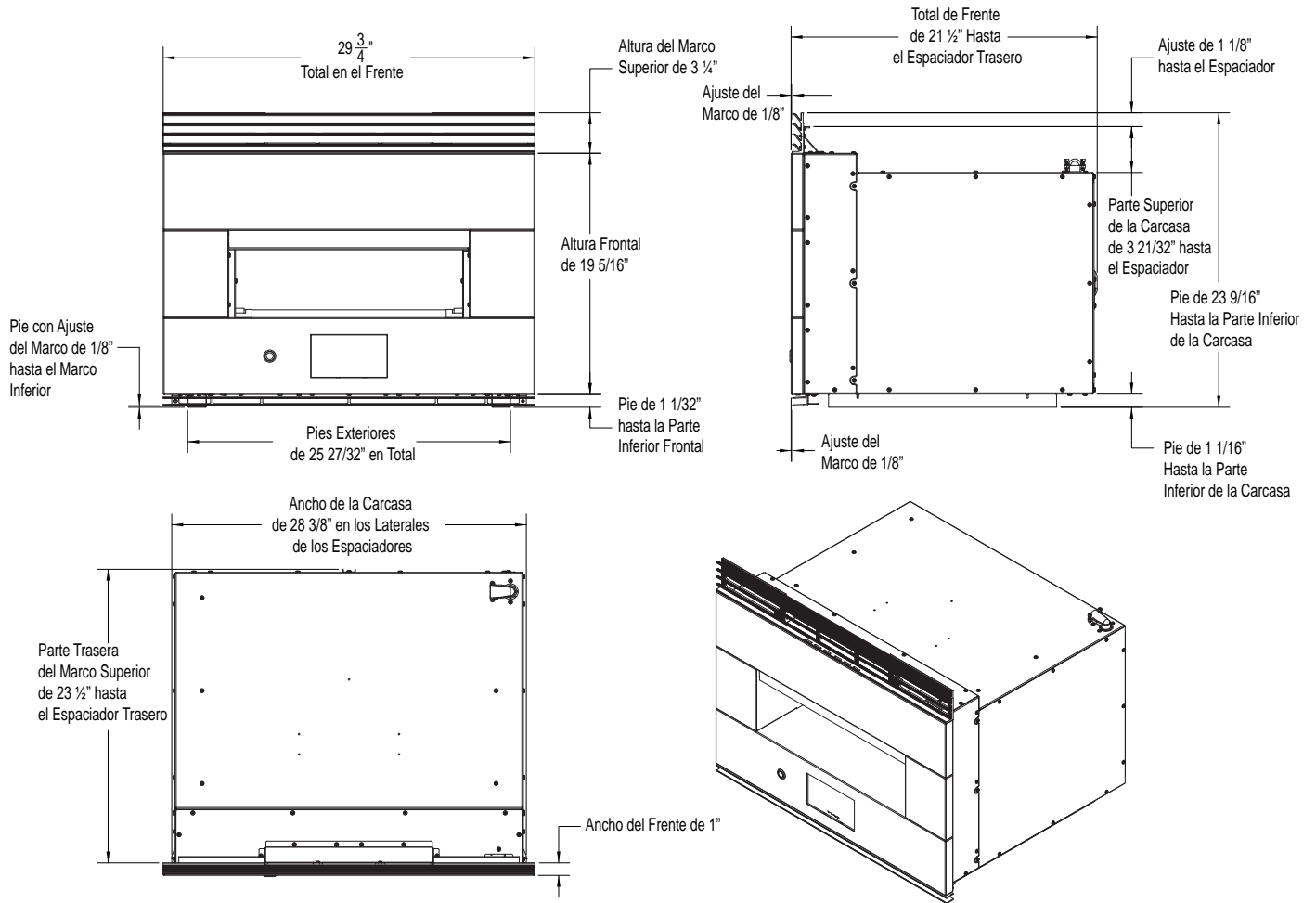
Contenidos

CONTENIDOS

Información de Seguridad	2	Mínimo Intermedio	15
Información de diseño		1J: Horno de Hogar sobre Horno de Vapor – Instalación con Montaje al Ras con un Espacio Libre Mínimo Intermedio	16
Dimensiones Del Producto (Con Marco).....	4	1K: Horno de Hogar sobre Horno de Vapor – Instalación Estándar con una Plataforma Intermedia de 2”	17
Lista De Control Antes De La Instalación	5	1L: Horno de Hogar sobre Horno de Vapor – Instalación con Montaje al Ras con una Plataforma Intermedia de 2”	18
Información de instalación		1M: Horno de Hogar sobre Horno de Vapor – Instalación Estándar con un Espacio Libre Intermedio Mínimo	19
Parts Included	6	1N: Horno de Hogar sobre Cajón para Calentar – Instalación con Montaje al Ras con un Espacio Libre Intermedio Mínimo.....	20
Materials Needed (not provided).....	6	1O: Horno de Hogar sobre Cajón para Calentar – Instalación Estándar con una Plataforma Intermedia de 2”	21
Tools Needed	6	1P: Horno de Hogar sobre Cajón para Calentar – Instalación con Montaje al Ras con una Plataforma Intermedia de 2”	22
Instalación		1Q: Plataforma de Horno de Hogar para un Espacio Libre Mínimo entre Electrodomésticos: Concepto de Dado y Sujetador Mecánico.....	23
1A: Espacio Libre para el Horno de Hogar - Instalación Estándar	7	1R: Plataforma de Horno de Hogar para un Espacio Libre Mínimo entre Electrodomésticos: Concepto de Espiga y Sujetador Mecánico.....	24
1B: Horno de Hogar – Instalación con Montaje al Ras.....	8	1S: Instalación de Combo de Lado a Lado	25
1C: Horno de Hogar sobre Horno de Pared – Instalación Estándar con un Espacio Libre Mínimo Intermedio.....	9	2. Conexiones Eléctricas.....	26
1D: Horno de Hogar sobre Horno de Pared – Instalación con Montaje al Ras con un Espacio Libre Mínimo Intermedio.....	10	3. Instalación del Horno en el Gabinete.....	28
1E: Horno de Hogar sobre Horno de Pared – Instalación Estándar con una Plataforma Intermedia de 2”	11	LISTA DE CONTROL ANTES DE LA PRUEBA	29
1F: Horno de Hogar sobre Horno de Pared – Instalación con Montaje al Ras con una Plataforma Intermedia de 2”.....	12	LISTA DE CONTROL PARA LA OPERACIÓN	29
1G: Horno de Hogar sobre Horno de Pared con Puerta Francesa - Instalación Estándar con un Espacio Libre Mínimo Intermedio	13		
1H: Horno de Hogar sobre Horno de Pared con Puerta Francesa - Instalación Estándar con una Plataforma Intermedia de 2”	14		
1I: Horno de Hogar sobre Horno de Vapor - Instalación Estándar con un Espacio Libre			

Información de diseño

DIMENSIONES DEL PRODUCTO (CON MARCO)

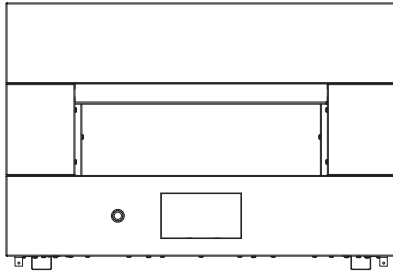


Información de diseño

LISTA DE CONTROL ANTES DE LA INSTALACIÓN

¡TODA LA INFORMACIÓN DE INSTALACIÓN QUE FIGURA EN LAS PÁGINAS SIGUIENTES DEBERÁ SER USADA EN LA INSTALACIÓN DEL HORNO ELÉCTRICO DE HOGAR PARA INTERIORES.

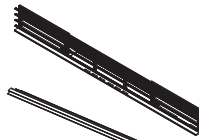
- Retire los materiales de embalaje y extraiga el paquete de instrucciones.



Horno de Hogar



Paquete Informativo



Marco Incluido

- Extraiga las instrucciones de instalación del paquete y léalas cuidadosamente antes de empezar la instalación. Cerciérese de guardar bien todas las instrucciones, Manual del propietario, Instalación, etc. para referencia en el futuro.

- Coloque el horno sobre la mesa o plataforma al nivel de la abertura del gabinete. La plataforma debe soportar 200 lbs. (91 Kg). Estos hornos no están aprobados para las instalaciones apilables.

El Horno de Hogar se podrá instalar en un gabinete solo, sobre o junto a modelos aprobados. Para consultar sobre los modelos aprobados, lea la etiqueta en la parte superior del horno o visite geappliances.com/combinations.

⚠ PRECAUCIÓN La instalación del horno por debajo de la altura mínima de 45 pulgadas crea riesgos de incendio para los niños. No instale el mismo debajo de la altura mínima.

Información de instalación

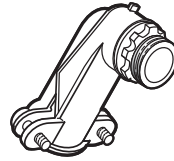
ANTES DE EMPEZAR

Lea estas instrucciones cuidadosa y completamente.

- **IMPORTANTE** — Guarde estas instrucciones y téngalas disponibles para el inspector local.
- **IMPORTANTE** — Cumpla con todos los códigos y ordenanzas vigentes.
- **Nota al instalador** – Cerciérese de dejar estas instrucciones con el propietario.
- **Nota al consumidor** – Guarde estas instrucciones para usarlas como referencia en el futuro.
- La instalación apropiada es responsabilidad del instalador y la falla del producto por una instalación incorrecta NO está cubierta por la garantía.
- **Nota** – Este aparato debe estar conectado a tierra adecuadamente.
- **¡ATENCIÓN AL INSTALADOR!**

Todos los hornos electrónicos de pared deben ser cableados directamente en una caja de conexión aprobada. Un “enchufe-receptáculo” NO ES permitido en estos productos.

MATERIALES NECESARIOS

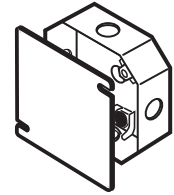


Opción 1

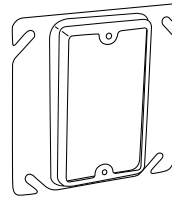
Abrazadera de alivio de presión para conducto de 1/2"



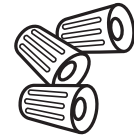
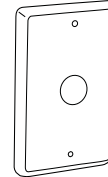
Opción 2



Caja de conexión (Profundidad Máx. de 1 1/2")



Anillo de Yeso y Tapa (Opción 1)



Tuercas para alambres

PARTES INCLUIDAS

(la apariencia puede variar)



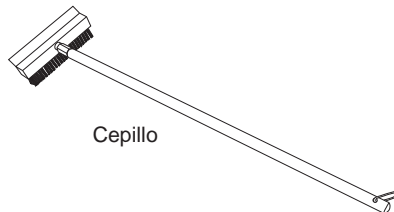
Ensamblaje de la Parrilla Superior



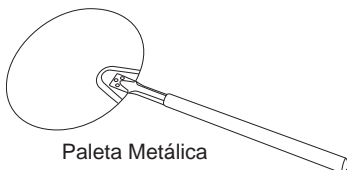
Torx T20 de 1/2" para Parrilla Superior e Inferior (8)



Tornillos Phillips de 3/4" (2)



Cepillo



Paleta Metálica



Paleta de Madera

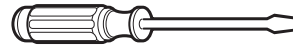
HERRAMIENTAS NECESARIAS



Alicates pelacables



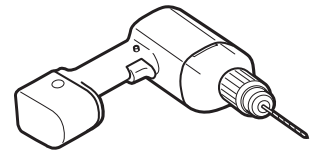
Destornillador de estrella #2



Destornillador con punta plana



Destornillador Torx T20

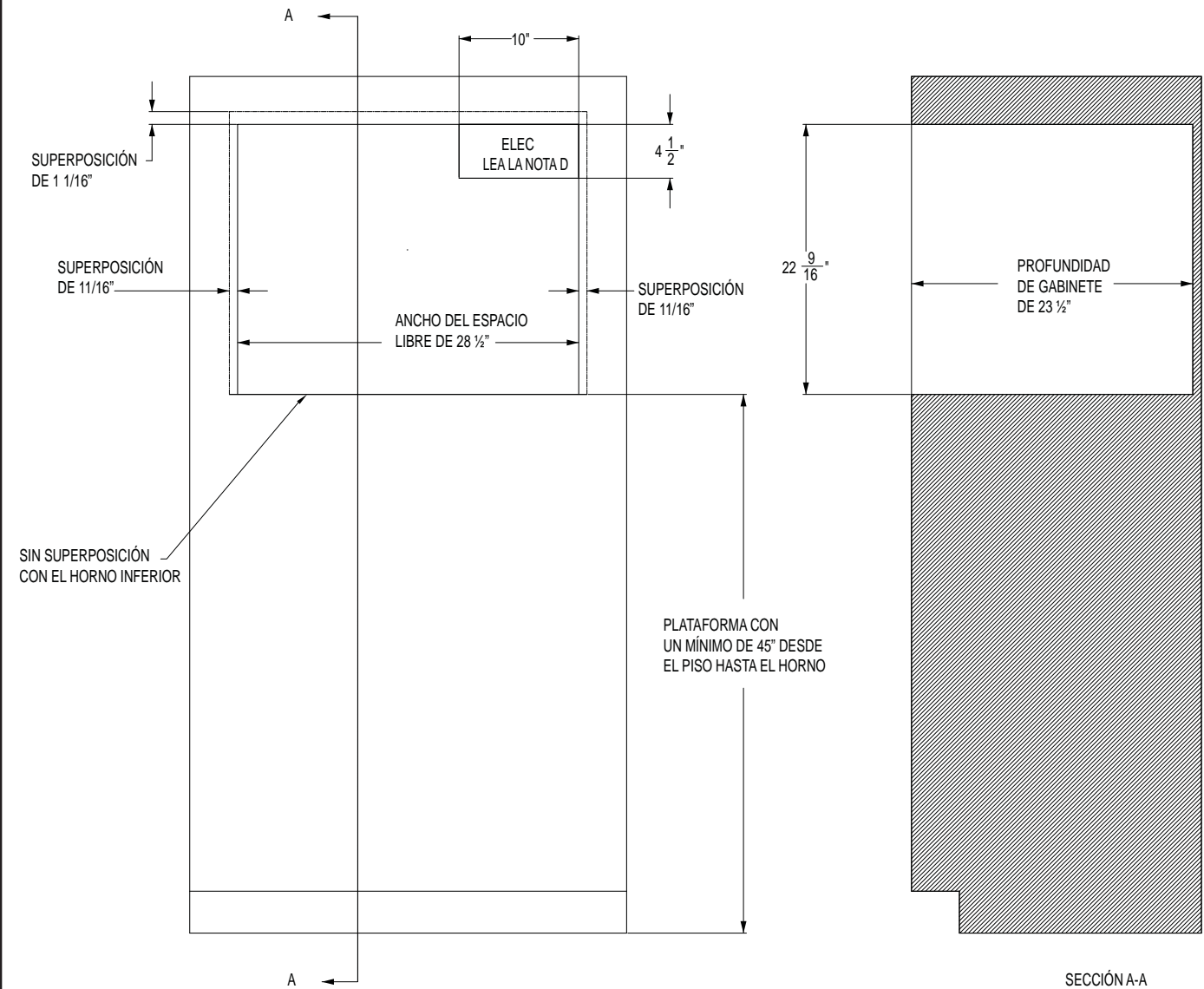


Taladro y broca de 3/32"

Instalaciones

1 A HORNO DE HOGAR - INSTALACIÓN ESTÁNDAR

- A** 45" es la altura de instalación mínima requerida. El horno podrá ser instalado más arriba, dependiendo de la preferencia del propietario.
- B** La plataforma deberá poder soportar 200 libras (91 kg).
- C** Se requiere un cerramiento sólido en las partes superior, inferior, izquierda, derecha y trasera. La superficie trasera podrá ser de yeso. Se recomienda el uso de técnicas de fabricación y ensamble avanzadas, a fin de asegurar un grado preciso de nivelación y paralelismo de los gabinetes.
- D** Ubicación de la caja de empalmes: Deberá estar nivelado con la superficie trasera de modo que no se extienda sobre la profundidad del gabinete de 23-1/2 pulgadas. La caja de empalmes podrá estar ubicada en un gabinete adyacente.
- E** Se podrá lograr un aspecto nivelado en relación a la puerta del gabinete y el frente de los cajones circundantes. Se recomienda el uso de un perfil de un mínimo de 1/8" MÁS ALLÁ de las dimensiones de SUPERPOSICIÓN.



Instalaciones

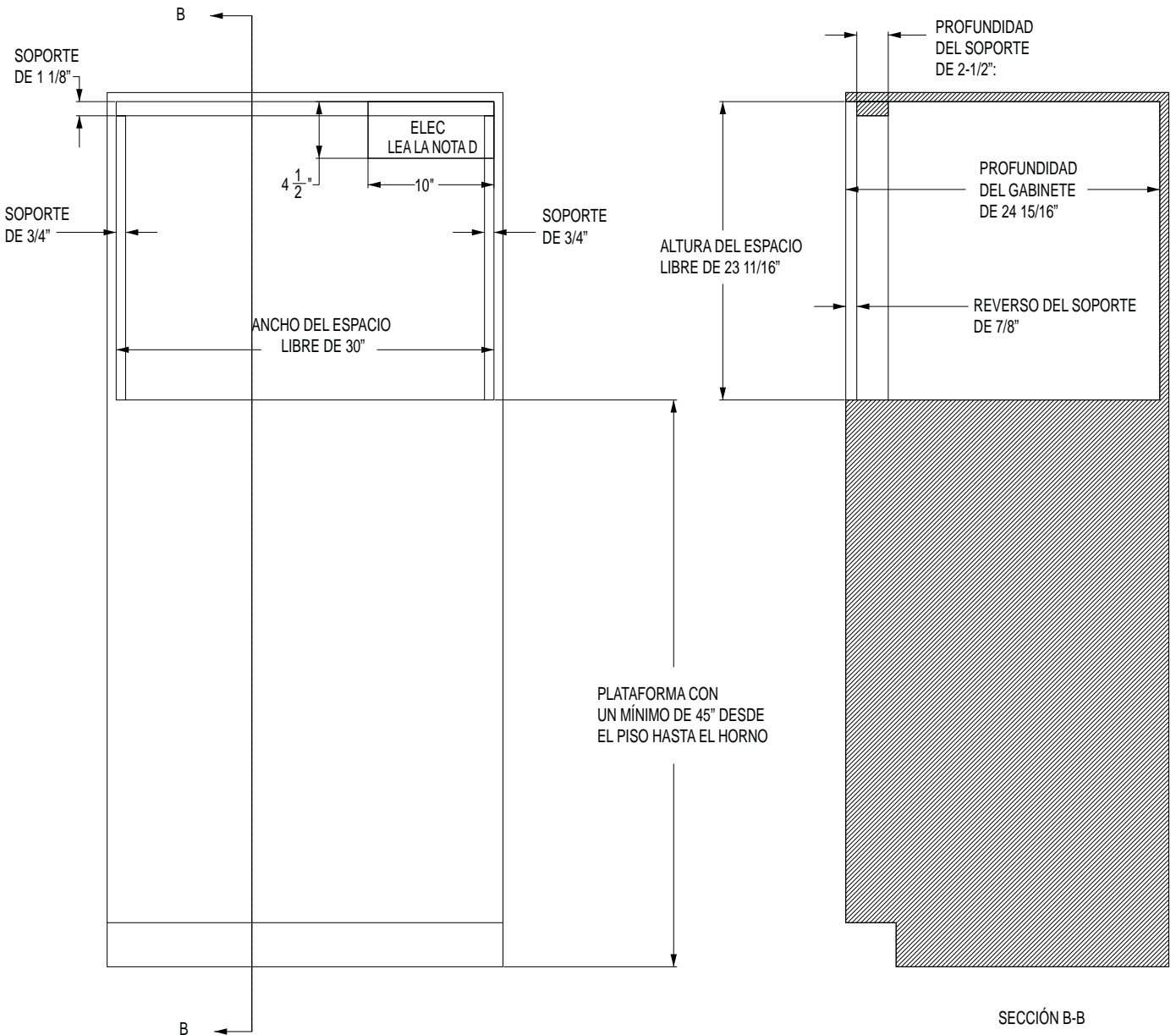
1 B HORNO DE HOGAR – INSTALACIÓN CON MONTAJE AL RAS

A 45" es la altura de instalación mínima requerida. El horno podrá ser instalado más arriba, dependiendo de la preferencia del propietario.

B La plataforma deberá poder soportar 200 libras (91 kg).

C Se requiere un cerramiento sólido en las partes superior, inferior, izquierda, derecha y trasera. La superficie trasera podrá ser de yeso. Se recomienda el uso de técnicas de fabricación y ensamble avanzadas, a fin de asegurar un grado preciso de nivelación y paralelismo de los gabinetes.

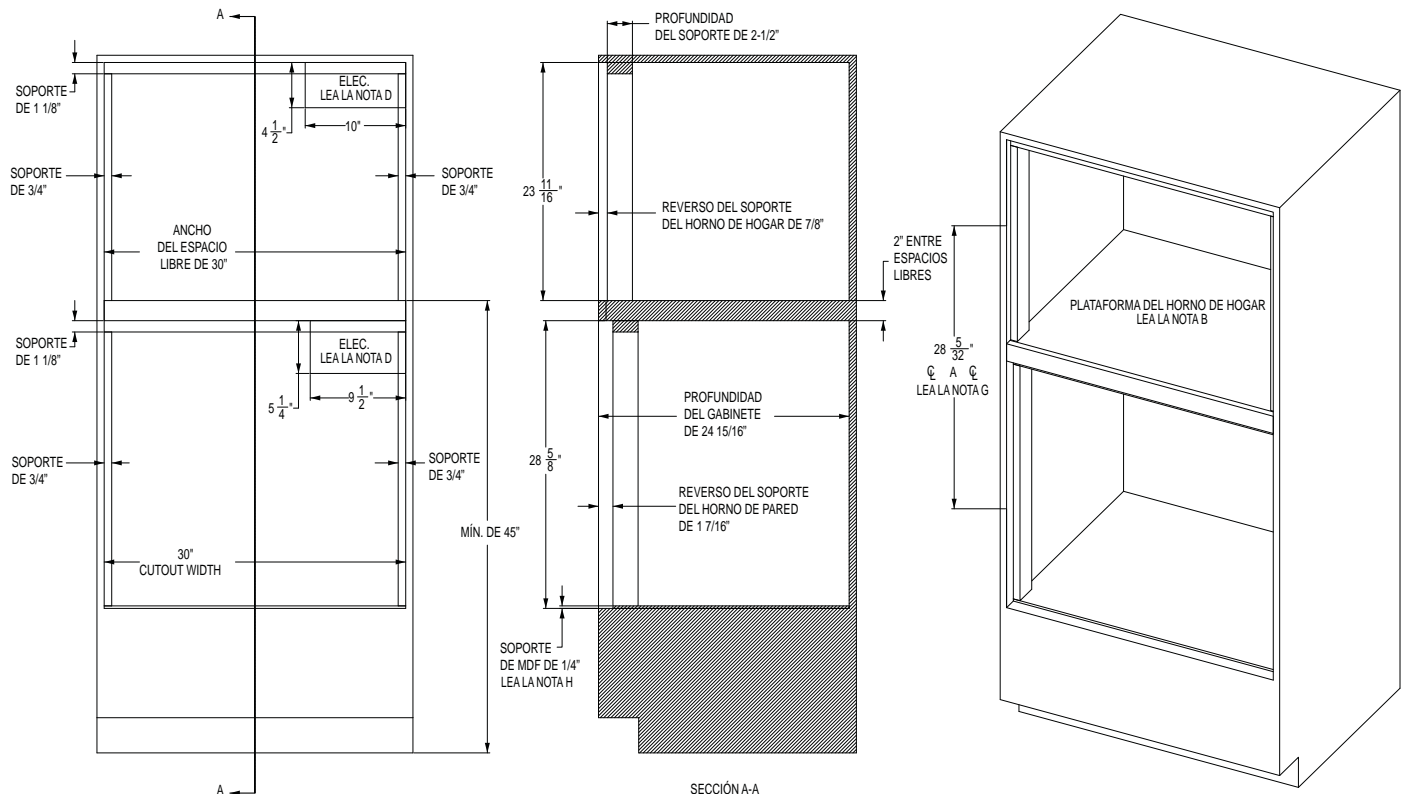
D Ubicación de la caja de empalmes: Deberá estar nivelado con la superficie trasera de modo que no se extienda sobre la profundidad del gabinete de 24-15/16 pulgadas. La caja de empalmes podrá estar ubicada en un gabinete adyacente.



Instalaciones

1 F HORNO DE HOGAR SOBRE HORNO DE PARED – INSTALACIÓN CON MONTAJE AL RAS CON PLATAFORMA INTERMEDIA DE 2”

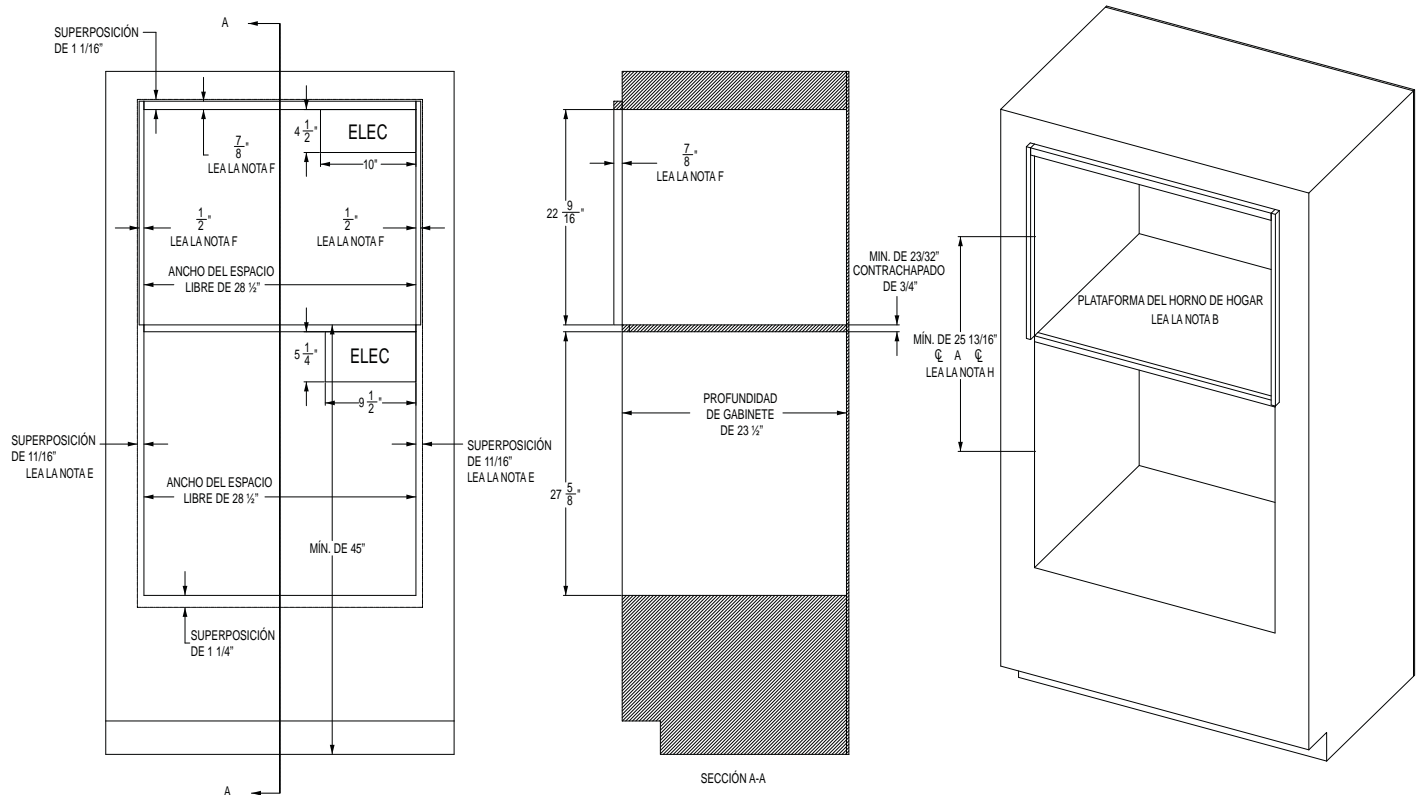
- A** 45” es la altura de instalación mínima requerida. El horno podrá ser instalado más arriba, dependiendo de la preferencia del propietario.
- B** La Plataforma del Horno de Hogar deberá poder soportar 200 libras (91 kg.).
- C** Se requiere un cerramiento sólido en las partes superior, inferior, izquierda, derecha y trasera. La superficie trasera podrá ser de yeso. Se recomienda el uso de técnicas de fabricación y ensamble avanzadas, a fin de asegurar un grado preciso de nivelación y paralelismo de los gabinetes.
- D** Ubicación de la caja de empalmes: Deberá estar nivelado con la superficie trasera de modo que no se extienda sobre la profundidad del gabinete de 24-15/16 pulgadas. La caja de empalmes podrá estar ubicada en un gabinete adyacente.
- E** La base frontal de los soportes interiores deberán poseer un acabado de su superficie.
- F** El Horno de Pared REQUIERE un MARCO DE VENTILACIÓN INFERIOR de aluminio extrudido. Los modelos de horno de pared que comienzan con “ZTSX” ya incluyen el marco de ventilación de aluminio. Para los modelos que comienzan con “ZTS”, se deberá ordenar el kit del marco de ventilación ZX30VT1, que incluye el marco de ventilación de aluminio y las herramientas de montaje. De forma alternativa, el marco de acero inoxidable suministrado con todos los modelos se podrá usar para esta configuración de gabinetes. Asegúrese de ajustar la dimensión de “superposición” asociada con el marco de acero inoxidable. Antes cualquier duda, por favor comuníquese al 1-800-626-2000
- G** La dimensión de la línea central de abertura se toma sobre la ABERTURA FRONTAL de cada cerramiento.
- H** El soporte de la superficie inferior del Horno de Pared deberá poseer una tabla de fibra de MDF de un grosor de 1/4” o equivalente.



Instalaciones

1 G HORNO DE HOGAR SOBRE HORNO DE PARED CON PUERTA FRANCESA – INSTALACIÓN ESTÁNDAR CON ESPACIO LIBRE INTERMEDIO MÍNIMO

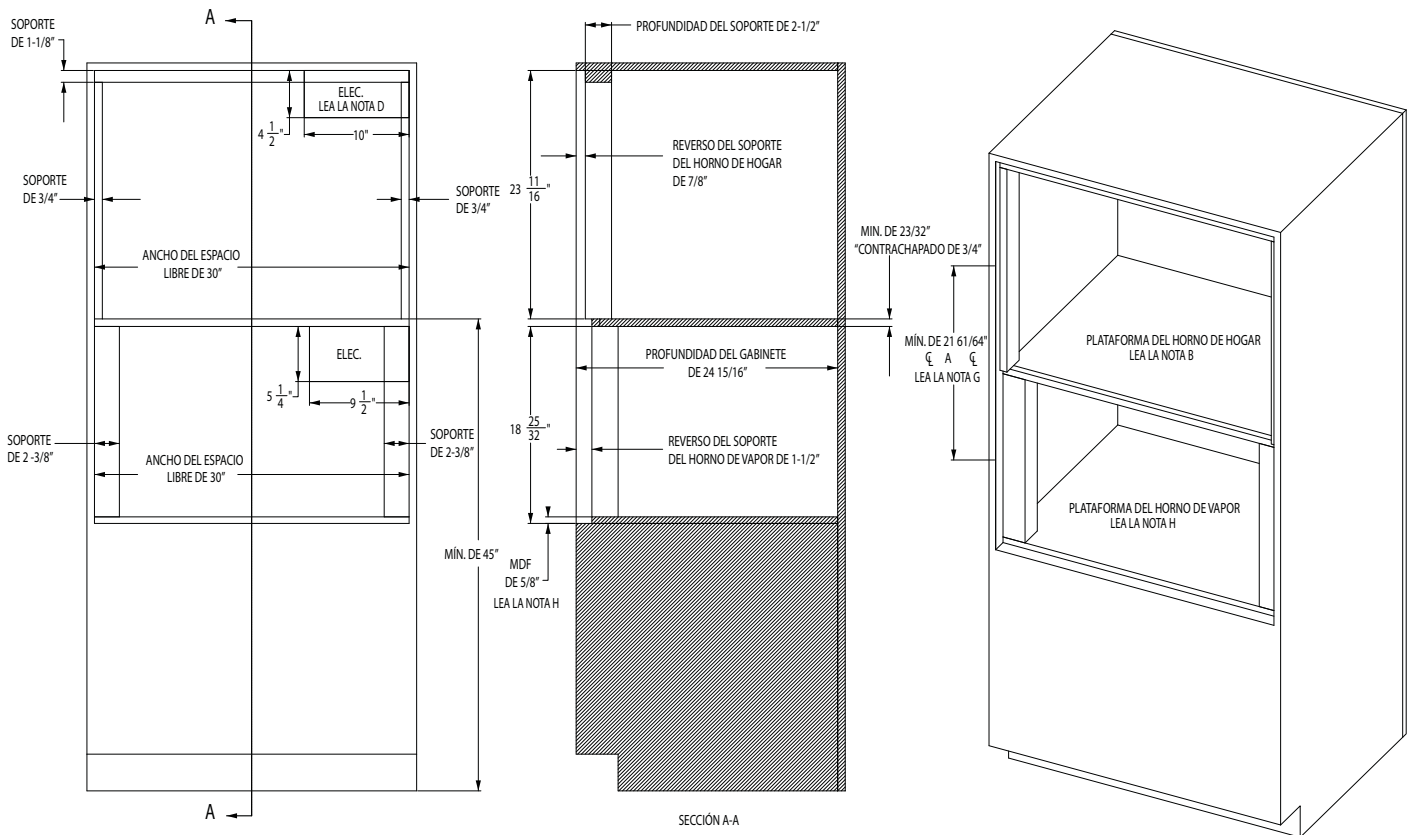
- A** 45" es la altura de instalación mínima requerida. El horno podrá ser instalado más arriba, dependiendo de la preferencia del propietario.
- B** La Plataforma del Horno de Hogar deberá poder soportar 200 libras (91 kg.).
- C** Se requiere un cerramiento sólido en las partes superior, inferior, izquierda, derecha y trasera. La superficie trasera podrá ser de yeso. Se recomienda el uso de técnicas de fabricación y ensamble avanzadas, a fin de asegurar un grado preciso de nivelación y paralelismo de los gabinetes.
- D** Ubicación de la caja de empalmes: Deberá estar nivelado con la superficie trasera de modo que no se extienda sobre la profundidad del gabinete de 23-1/2 pulgadas. La caja de empalmes podrá estar ubicada en un gabinete adyacente.
- E** Se recomienda el uso de un perfil de 1/8" MÁS ALLÁ de las dimensiones de SUPERPOSICIÓN, a fin de contar con un espacio libre para el desplazamiento del cajón y la puerta. Para el HORNO DE PARED CON PUERTA FRANCESA Inferior, por favor consulte las restricciones de apertura de puerta asociadas con encimeras, paredes y frente de gabinetes cercanos, a fin de ajustar las superposiciones.
- F** Se podrán agregar soportes exteriores sobre los laterales y la parte superior de la abertura del Horno de Hogar, a fin de poder alinear la superficie frontal del Horno de Hogar con la superficie frontal del horno de pared que se encuentra debajo. El acabado será acorde con los requisitos del cliente. Un acabado negro liso podrá combinar mejor con el aspecto lateral del horno que se encuentra debajo.
- G** Para el HORNO DE PARED CON PUERTA FRANCESA, el MARCO INFERIOR de acero inoxidable suministrado con la unidad es la única opción.
- H** La dimensión de la línea central de abertura se toma sobre la ABERTURA FRONTAL de cada cerramiento.



Instalaciones

1 J HORNO DE HOGAR SOBRE HORNO DE VAPOR – INSTALACIÓN CON MONTAJE AL RAS CON ESPACIO LIBRE INTERMEDIO MÍNIMO

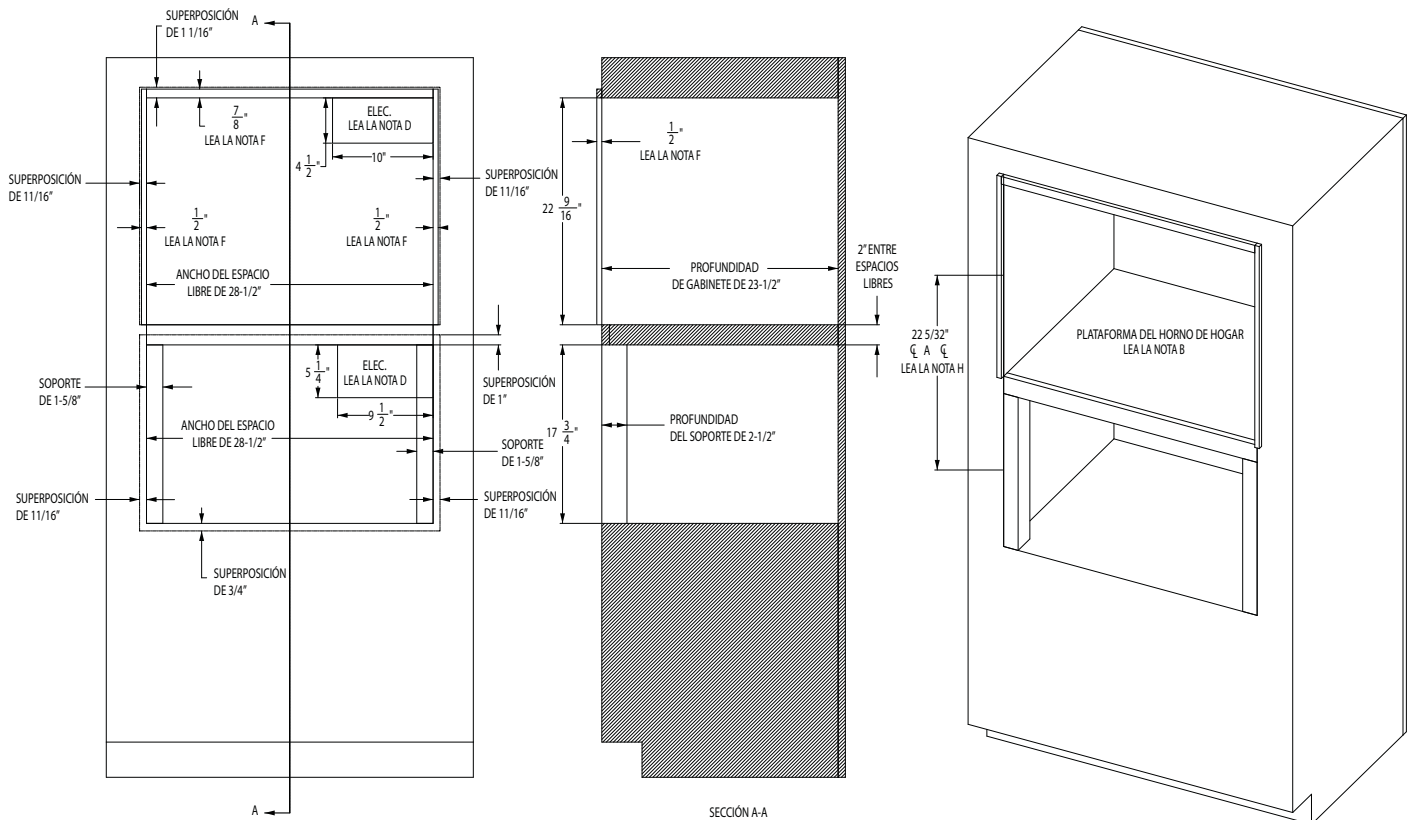
- A** 45" es la altura de instalación mínima requerida. El horno podrá ser instalado más arriba, dependiendo de la preferencia del propietario.
- B** La Plataforma del Horno de Hogar deberá poder soportar 200 libras (91 kg.). Para esta instalación, se recomienda enfáticamente bloquear la plataforma dentro de las paredes laterales, usando uniones de carpintería tipo Dado. También se recomienda el uso de sujetadores y pegamento para madera, a fin de reforzar aún más las uniones de carpintería. La veta de la madera de la plataforma se deberá orientar de izquierda a derecha. El borde frontal de la plataforma deberá poseer una superficie con acabado. Para consultar sobre conceptos de uniones, lea las ilustraciones 1Q y 1R.
- C** Se requiere un cerramiento sólido en las partes superior, inferior, izquierda, derecha y trasera. La superficie trasera podrá ser de yeso. Se recomienda el uso de técnicas de fabricación y ensamble avanzadas, a fin de asegurar un grado preciso de nivelación y paralelismo de los gabinetes.
- D** Ubicación de la caja de empalmes: Deberá estar nivelado con la superficie trasera de modo que no se extienda sobre la profundidad del gabinete de 24-15/16 pulgadas. La caja de empalmes podrá estar ubicada en un gabinete adyacente.
- E** La base frontal de los soportes interiores deberán poseer un acabado de su superficie.
- F** Se podrá instalar un KIT DE MARCOS INFERIOR opcional con un cambio de altura para la ABERTURA DEL ESPACIO LIBRE Y SOPORTE INFERIOR. El kit de marcos ZXSTEAM1 se podrá usar con una altura de ABERTURA DEL ESPACIO LIBRE de 19 25/32" y una altura del SOPORTE INFERIOR de 1 5/8". Ante cualquier duda, por favor comuníquese al 1-800-626-2000.
- G** La dimensión de la línea central de abertura se toma sobre la ABERTURA FRONTAL de cada cerramiento.
- H** El soporte de la superficie inferior del Horno de Vapor deberá poseer una tabla de fibra de MDF de un grosor de 5/8" o equivalente.



Instalaciones

1 K HORNO DE HOGAR SOBRE HORNO DE VAPOR – INSTALACIÓN ESTÁNDAR CON PLATAFORMA INTERMEDIA DE 2”

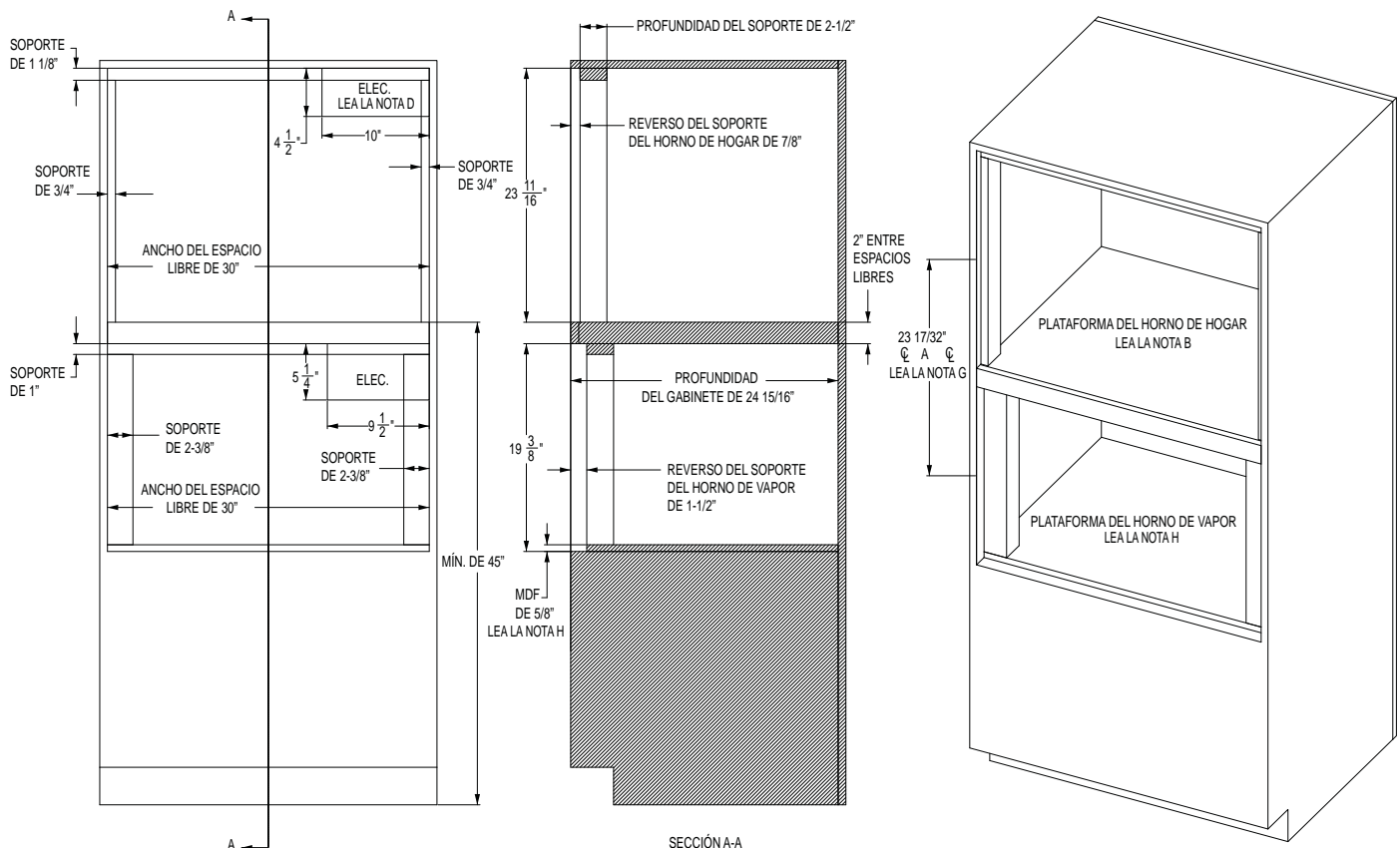
- A** 45” es la altura de instalación mínima requerida. El horno podrá ser instalado más arriba, dependiendo de la preferencia del propietario.
- B** La Plataforma del Horno de Hogar deberá poder soportar 200 libras (91 kg.).
- C** Se requiere un cerramiento sólido en las partes superior, inferior, izquierda, derecha y trasera. La superficie trasera podrá ser de yeso. Se recomienda el uso de técnicas de fabricación y ensamble avanzadas, a fin de asegurar un grado preciso de nivelación y paralelismo de los gabinetes.
- D** Ubicación de la caja de empalmes: Deberá estar nivelado con la superficie trasera de modo que no se extienda sobre la profundidad del gabinete de 23-1/2 pulgadas. La caja de empalmes podrá estar ubicada en un gabinete adyacente.
- E** Se recomienda el uso de un perfil de 1/8” MÁS ALLÁ de las dimensiones de SUPERPOSICIÓN, a fin de contar con un espacio libre para el desplazamiento del cajón y la puerta.
- F** Se podrán agregar soportes exteriores sobre los laterales y la parte superior de la abertura del Horno de Hogar, a fin de poder alinear la superficie frontal del Horno de Hogar con la superficie frontal del horno de pared que se encuentra debajo. El acabado será acorde con los requisitos del cliente. Un acabado negro liso podrá combinar mejor con el aspecto lateral del horno que se encuentra debajo.
- G** La opción de un MARCO DE VENTILACIÓN INFERIOR NO está disponible para esta configuración de gabinetes.
- H** La dimensión de la línea central de abertura se toma sobre la ABERTURA FRONTAL de cada cerramiento.



Instalaciones

1 L HORNO DE HOGAR SOBRE HORNO DE VAPOR – INSTALACIÓN CON MONTAJE AL RAS CON PLATAFORMA INTERMEDIA DE 2”

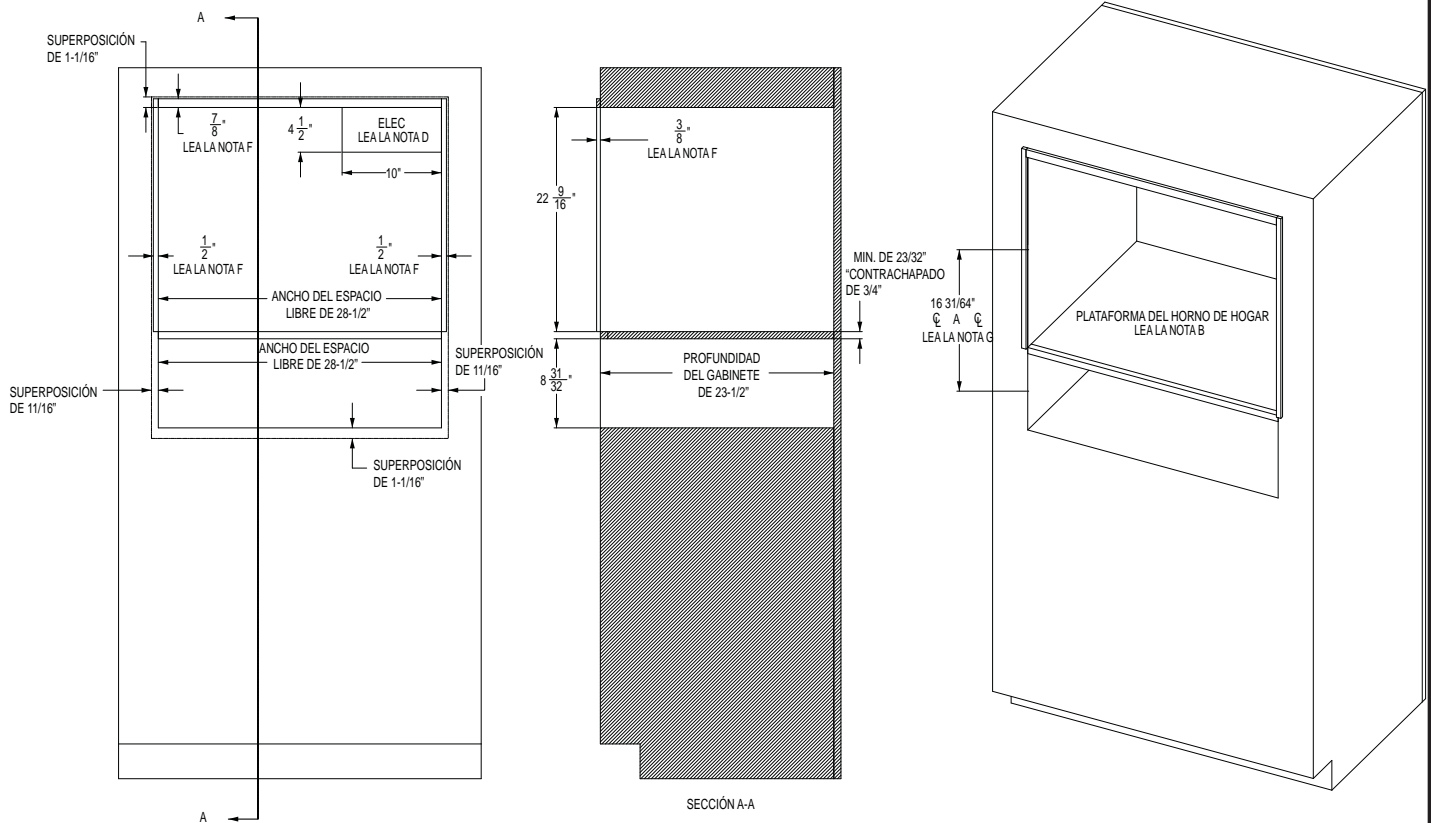
- A** 45” es la altura de instalación mínima requerida. El horno podrá ser instalado más arriba, dependiendo de la preferencia del propietario.
- B** La Plataforma del Horno de Hogar deberá poder soportar 200 libras (91 kg.).
- C** Se requiere un cerramiento sólido en las partes superior, inferior, izquierda, derecha y trasera. La superficie trasera podrá ser de yeso. Se recomienda el uso de técnicas de fabricación y ensamble avanzadas, a fin de asegurar un grado preciso de nivelación y paralelismo de los gabinetes.
- D** Ubicación de la caja de empalmes: Deberá estar nivelado con la superficie trasera de modo que no se extienda sobre la profundidad del gabinete de 24-15/16 pulgadas. La caja de empalmes podrá estar ubicada en un gabinete adyacente.
- E** La base frontal de los soportes interiores deberán poseer un acabado de su superficie.
- F** Se podrá instalar un KIT DE MARCOS INFERIOR opcional con un cambio de altura para la ABERTURA DEL ESPACIO LIBRE Y SOPORTE INFERIOR. El kit de marcos ZXSTEAM1 se podrá usar con una altura de ABERTURA DEL ESPACIO LIBRE de 20-3/8” y una altura del SOPORTE INFERIOR de 1 5/8”. Ante cualquier duda, por favor comuníquese al 1-800-626-2000.
- G** La dimensión de la línea central de abertura se toma sobre la ABERTURA FRONTAL de cada cerramiento.
- H** El soporte de la superficie inferior del Horno de Vapor deberá poseer una tabla de fibra de MDF de un grosor de 5/8” o equivalente.



Instalaciones

1 M HORNO DE HOGAR SOBRE CAJÓN PARA CALENTAR – INSTALACIÓN ESTÁNDAR CON ESPACIO LIBRE INTERMEDIO MÍNIMO

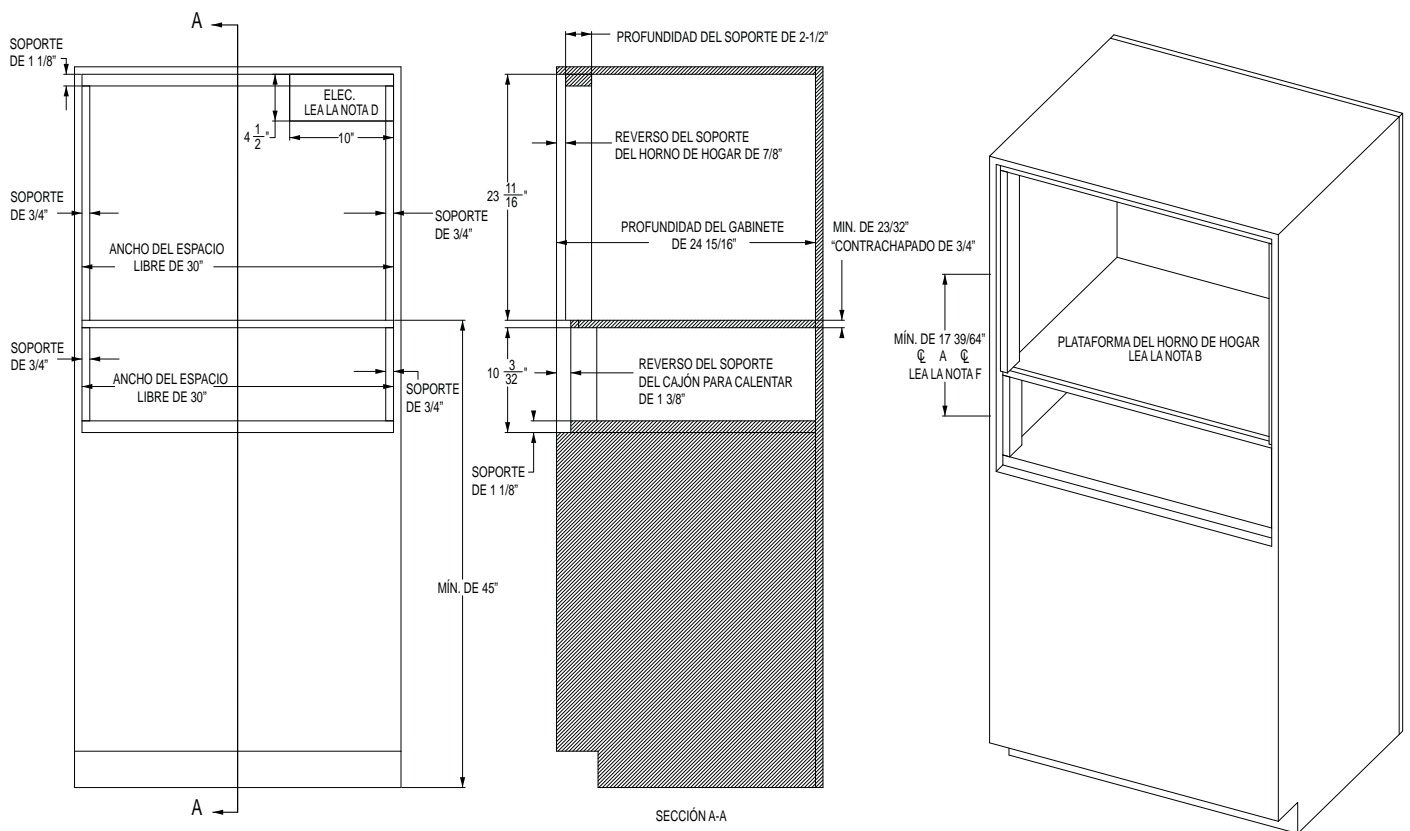
- A** 45" es la altura de instalación mínima requerida. El horno podrá ser instalado más arriba, dependiendo de la preferencia del propietario.
- B** La Plataforma del Horno de Hogar deberá poder soportar 200 libras (91 kg.). Para esta instalación, se recomienda enfáticamente bloquear la plataforma dentro de las paredes laterales, usando uniones de carpintería tipo Dado. También se recomienda el uso de sujetadores y pegamento para madera, a fin de reforzar aún más las uniones de carpintería. La veta de la madera de la plataforma se deberá orientar de izquierda a derecha. El borde frontal de la plataforma deberá poseer una superficie con acabado. Para consultar sobre conceptos de uniones, lea las ilustraciones 1Q y 1R.
- C** Se requiere un cerramiento sólido en las partes superior, inferior, izquierda, derecha y trasera. La superficie trasera podrá ser de yeso. Se recomienda el uso de técnicas de fabricación y ensamble avanzadas, a fin de asegurar un grado preciso de nivelación y paralelismo de los gabinetes.
- D** Ubicación de la caja de empalmes: Deberá estar nivelado con la superficie trasera de modo que no se extienda sobre la profundidad del gabinete de 23-1/2 pulgadas. La caja de empalmes podrá estar ubicada en un gabinete adyacente.
- E** Se recomienda el uso de un perfil de 1/8" MÁS ALLÁ de las dimensiones de SUPERPOSICIÓN, a fin de contar con un espacio libre para el desplazamiento del cajón y la puerta.
- F** Se podrán agregar soportes exteriores sobre los laterales y la parte superior de la abertura del Horno de Hogar, a fin de poder alinear la superficie frontal del Horno de Hogar con la superficie frontal del horno de pared que se encuentra debajo. El acabado será acorde con los requisitos del cliente. Un acabado negro liso podrá combinar mejor con el aspecto lateral del horno que se encuentra debajo.
- G** La dimensión de la línea central de abertura se toma sobre la ABERTURA FRONTAL de cada cerramiento.



Instalaciones

1 N HORNO DE HOGAR SOBRE CAJÓN PARA CALENTAR – INSTALACIÓN CON MONTAJE AL RAS CON ESPACIO LIBRE INTERMEDIO MÍNIMO

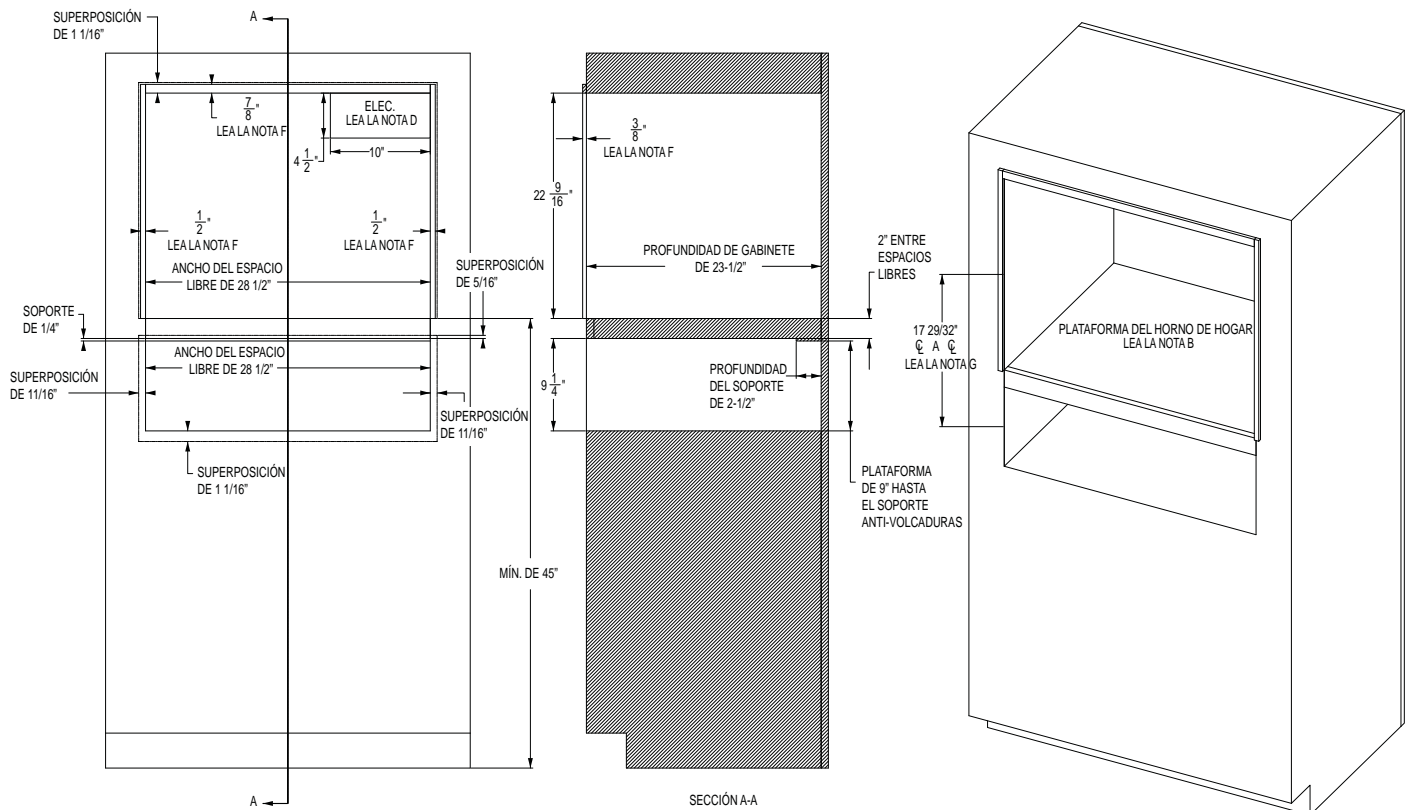
- A** 45" es la altura de instalación mínima requerida. El horno podrá ser instalado más arriba, dependiendo de la preferencia del propietario.
- B** La Plataforma del Horno de Hogar deberá poder soportar 200 libras (91 kg.). Para esta instalación, se recomienda enfáticamente bloquear la plataforma dentro de las paredes laterales, usando uniones de carpintería tipo Dado. También se recomienda el uso de sujetadores y pegamento para madera, a fin de reforzar aún más las uniones de carpintería. La veta de la madera de la plataforma se deberá orientar de izquierda a derecha. El borde frontal de la plataforma deberá poseer una superficie con acabado. Para consultar sobre conceptos de uniones, lea las ilustraciones 1Q y 1R.
- C** Se requiere un cerramiento sólido en las partes superior, inferior, izquierda, derecha y trasera. La superficie trasera podrá ser de yeso. Se recomienda el uso de técnicas de fabricación y ensamble avanzadas, a fin de asegurar un grado preciso de nivelación y paralelismo de los gabinetes.
- D** Ubicación de la caja de empalmes: Deberá estar nivelado con la superficie trasera de modo que no se extienda sobre la profundidad del gabinete de 24-15/16 pulgadas. La caja de empalmes podrá estar ubicada en un gabinete adyacente.
- E** La base frontal de los soportes interiores deberán poseer un acabado de su superficie.
- F** La dimensión de la línea central de abertura se toma sobre la ABERTURA FRONTAL de cada cerramiento.



Instalaciones

1 O HORNO DE HOGAR SOBRE CAJÓN PARA CALENTAR – INSTALACIÓN ESTÁNDAR CON PLATAFORMA INTERMEDIA DE 2”

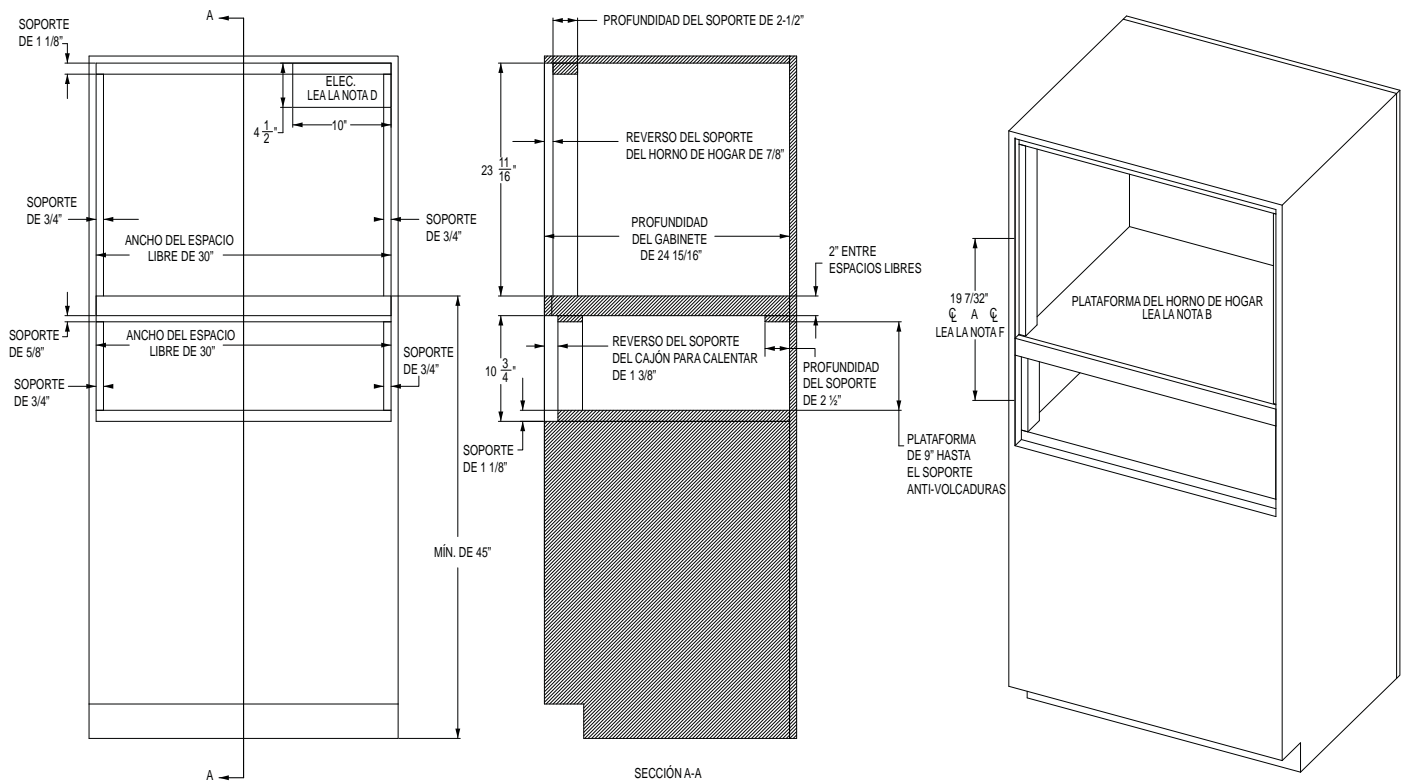
- A** 45” es la altura de instalación mínima requerida. El horno podrá ser instalado más arriba, dependiendo de la preferencia del propietario.
- B** La Plataforma del Horno de Hogar deberá poder soportar 200 libras (91 kg.).
- C** Se requiere un cerramiento sólido en las partes superior, inferior, izquierda, derecha y trasera. La superficie trasera podrá ser de yeso. Se recomienda el uso de técnicas de fabricación y ensamble avanzadas, a fin de asegurar un grado preciso de nivelación y paralelismo de los gabinetes.
- D** Ubicación de la caja de empalmes: Deberá estar nivelado con la superficie trasera de modo que no se extienda sobre la profundidad del gabinete de 23-1/2 pulgadas. La caja de empalmes podrá estar ubicada en un gabinete adyacente.
- E** Se recomienda el uso de un perfil de 1/8” MÁS ALLÁ de las dimensiones de SUPERPOSICIÓN, a fin de contar con un espacio libre para el desplazamiento del cajón y la puerta.
- F** Se podrán agregar soportes exteriores sobre los laterales y la parte superior de la abertura del Horno de Hogar, a fin de poder alinear la superficie frontal del Horno de Hogar con la superficie frontal del horno de pared que se encuentra debajo. El acabado será acorde con los requisitos del cliente. Un acabado negro liso podrá combinar mejor con el aspecto lateral del horno que se encuentra debajo.
- G** La dimensión de la línea central de abertura se toma sobre la ABERTURA FRONTAL de cada cerramiento.



Instalaciones

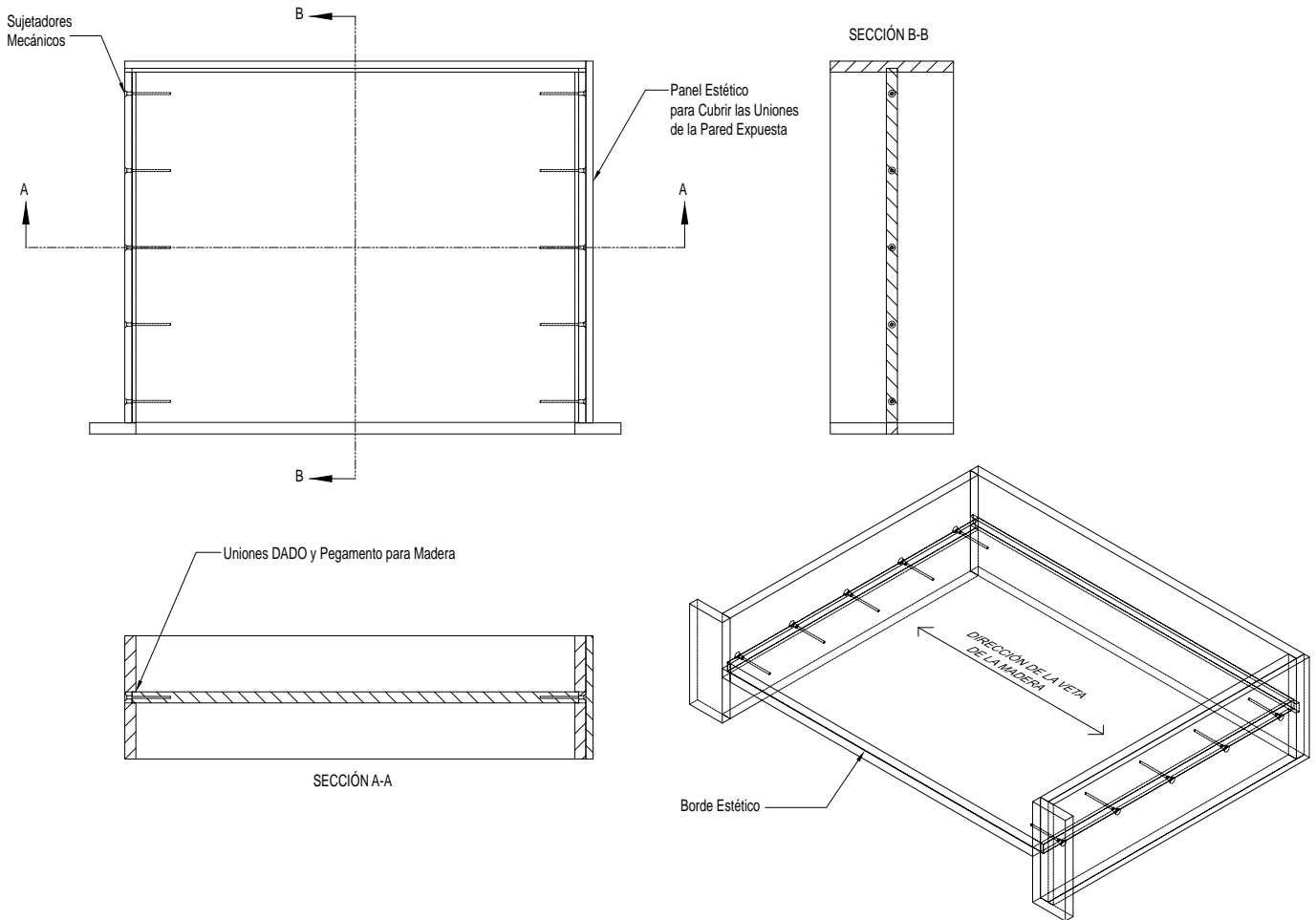
1 P HORNO DE HOGAR SOBRE CAJÓN PARA CALENTAR – INSTALACIÓN CON MONTAJE AL RAS CON PLATAFORMA INTERMEDIA DE 2”

- A** 45” es la altura de instalación mínima requerida. El horno podrá ser instalado más arriba, dependiendo de la preferencia del propietario.
- B** La Plataforma del Horno de Hogar deberá poder soportar 200 libras (91 kg.).
- C** Se requiere un cerramiento sólido en las partes superior, inferior, izquierda, derecha y trasera. La superficie trasera podrá ser de yeso. Se recomienda el uso de técnicas de fabricación y ensamble avanzadas, a fin de asegurar un grado preciso de nivelación y paralelismo de los gabinetes.
- D** Ubicación de la caja de empalmes: Deberá estar nivelado con la superficie trasera de modo que no se extienda sobre la profundidad del gabinete de 24-15/16 pulgadas. La caja de empalmes podrá estar ubicada en un gabinete adyacente.
- E** La base frontal de los soportes interiores deberán poseer un acabado de su superficie.
- F** La dimensión de la línea central de abertura se toma sobre la ABERTURA FRONTAL de cada cerramiento.



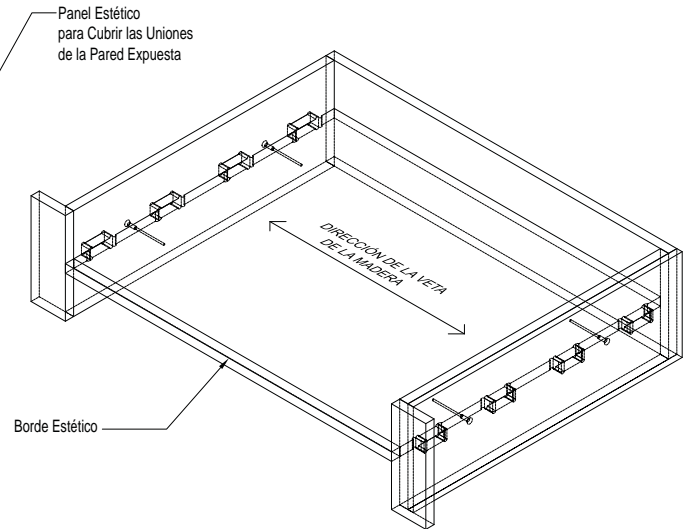
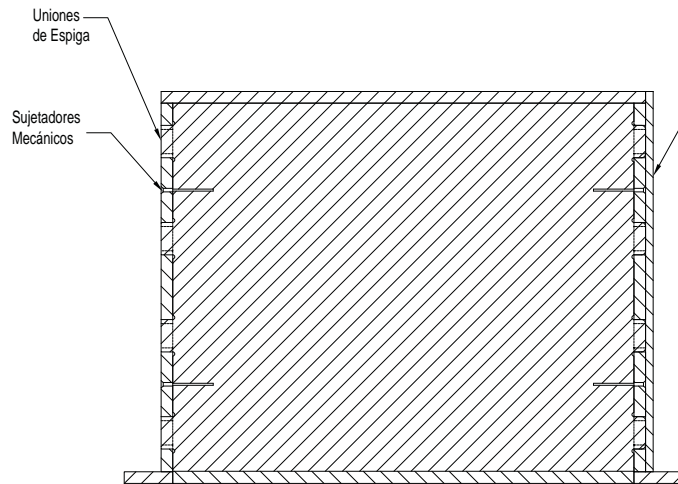
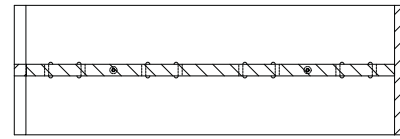
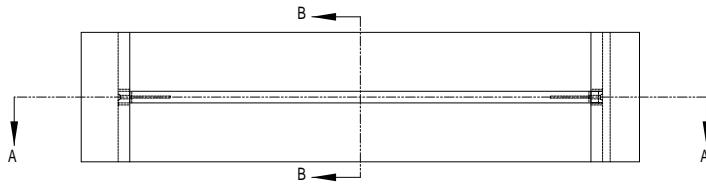
Instalaciones

1 Q PLATAFORMA DE HORNO DE HOGAR PARA UN ESPACIO LIBRE MÍNIMO ENTRE ELECTRODOMÉSTICOS: CONCEPTO DADO Y SUJETADOR MECÁNICO



Instalaciones

1 R PLATAFORMA DE HORNO DE HOGAR PARA UN ESPACIO LIBRE MÍNIMO ENTRE ELECTRODOMÉSTICOS: CONCEPTO DE ESPIGA Y SUJETADOR MECÁNICO



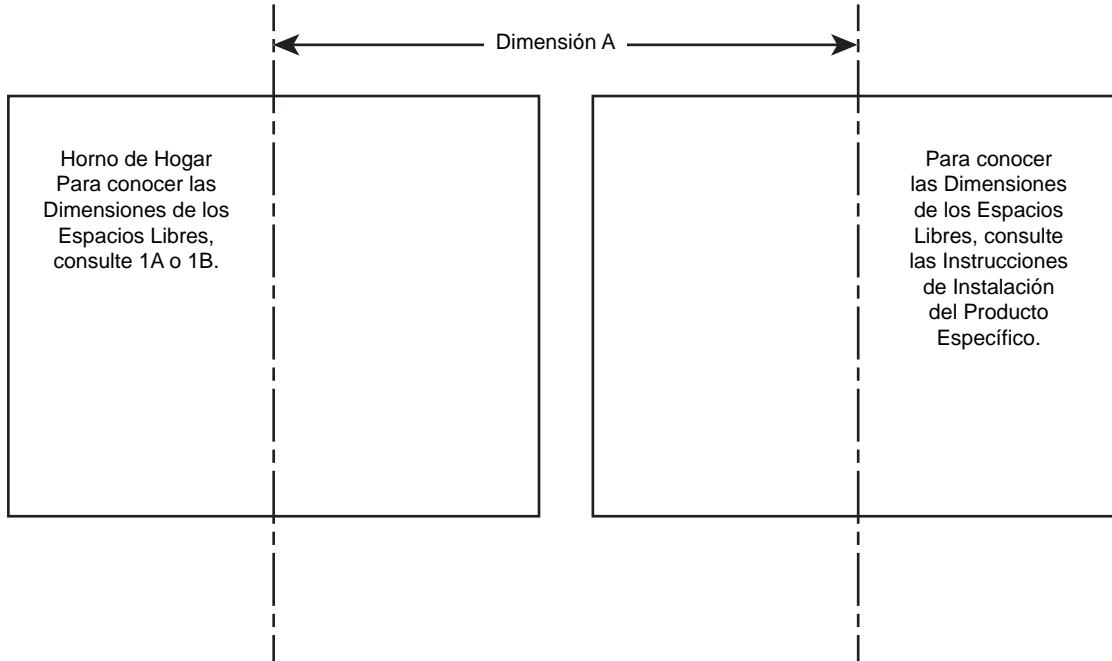
Instalaciones

1 S INSTALACIÓN DEL COMBO DE LADO A LADO

Para acceder a un listado de productos compatibles con la Instalación del Horno de Lado a Lado, consulte a través de Internet en geappliances.com/combinations.

Por favor, consulte las instrucciones de instalación de ambas unidades para sus respectivas instalaciones.

Para solicitar asistencia en relación al diseño del gabinete, por favor conéctese con un Diseñador de Monogram.



Tipo de Horno	Distancia Mín. – Líneas Centrales de Producto a Producto de la Dimensión A
Horno de Hogar junto al Horno de Pared	30.5"
Horno de Hogar junto al Horno de Vapor	30.5"
Horno de Hogar junto al Horno de Pared con Puerta Francesa	42.5"

Instalación

2 CONEXIONES ELÉCTRICAS

ATENCIÓN AL INSTALADOR

Todos los hornos eléctricos de pared deben ser cableados directamente en una caja de conexión. Un “enchufe-receptáculo” NO ES permitido en estos productos.

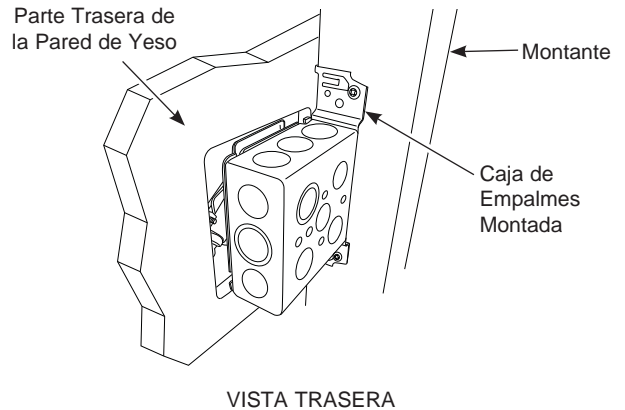
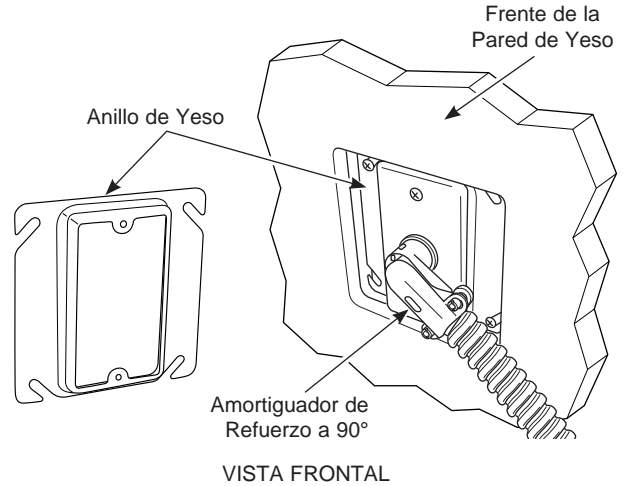
NO acorte el conducto flexible. La abrazadera para controlar la presión debe estar firmemente adherida a la caja de conexión y el conductor flexible debe estar firmemente adherido a la abrazadera. Si el conducto flexible no se ajusta al interior de la abrazadera, no instale el horno hasta que obtenga el tamaño apropiado.

Nota al electricista: Los 3 alambres eléctricos proporcionados con este aparato son reconocidos por la UL para conexiones a cableado residencial de mayor calibre. El aislante de estos 3 alambres supera las especificaciones de temperatura indicadas para cableado residencial. La capacidad actual de conducción del cable depende del calibre del cableado y de la clasificación de la temperatura del aislamiento alrededor del alambre.

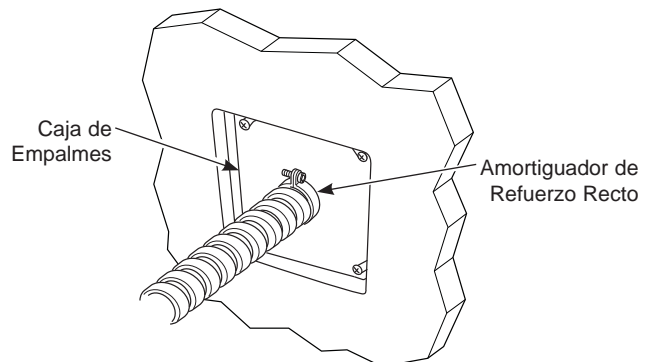
⚠ ADVERTENCIA Una conexión incorrecta del cableado hogareño de aluminio a los cables de cobre podrá producir riesgos eléctricos o de incendio. Consulte la Advertencia en la Página 2.

OPCIONES DE INSTALACIÓN RECOMENDADAS

Opción 1 - Una caja de empalmes con un anillo de yeso y un amortiguador de refuerzo a 90°, sobre un montante detrás de la pared de yeso.



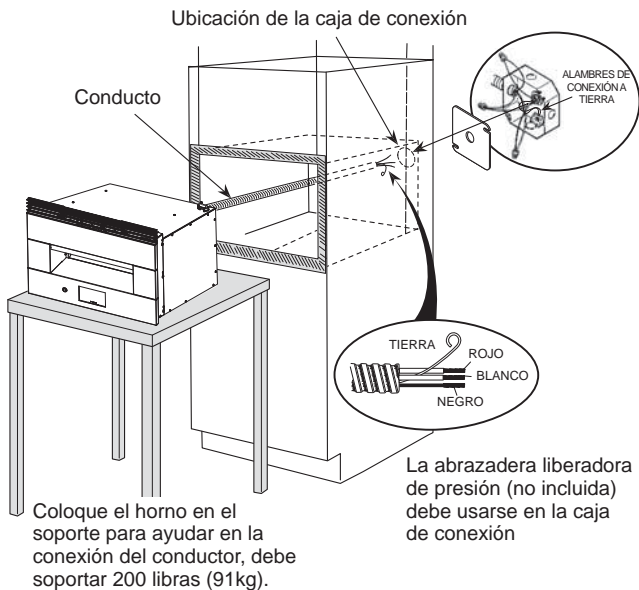
Opción 2 - Caja de empalmes estándar con un amortiguador de refuerzo recto, montado sobre una viga detrás del panel de yeso.



Instalación

2 CONEXIONES ELÉCTRICAS (Cont)

1. Desconecte el interruptor del circuito o retire los fusibles que alimentan el circuito de empalmes del horno.
2. Con el horno enfrente de la abertura del gabinete, sobre una mesa o plataforma conecte el conducto flexible a la caja de conexión como se muestra en la figura. Coloque el conducto de manera que quede apoyado sobre la parte superior del horno en forma de bucle natural cuando se instale el horno. Usted necesitará comprar una abrazadera liberadora de presión para completar la conexión del conducto hacia la caja de conexión.



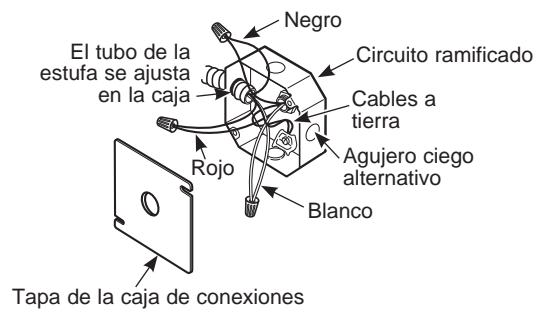
A CONEXIÓN PARA NUEVA CONSTRUCCIÓN Y DE CIRCUITO DE EMPALMES DE CUATRO CONDUCTORES

- Cuando se instale en una construcción nueva, o
- Cuando se instale en una casa móvil, o
- Al instalar en un vehículo de recreación, o
- Cuando los códigos locales no permitan hacer conexión a tierra a través de un cable neutro:

NOTA: Si los cables del hogar poseen conductores de aluminio, ver la ADVERTENCIA en la página 2.

Cuando conecte un circuito derivado de cuatro conductores, si lo permiten los códigos locales:

1. Conecte el conductor de conexión a tierra junto con el cable neutro (blanco) al neutro del circuito de empalmes (de color blanco o gris), usando una tuerca para cables.
2. Conecte el cable a tierra del artefacto (verde o cobre) de acuerdo con los códigos locales.



3. Conecte el cable neutral (blanco) del horno con el neutral de circuito derivado (blanco o gris) de acuerdo con códigos locales, utilizando un tapón de alambre.
4. Conecte el cable rojo del horno al cable rojo del circuito derivado y el cable negro del horno al cable negro del circuito derivado de acuerdo con los códigos locales, utilizando tapones de alambre.
5. Instale una abrazadera adecuada de alivio de tensión.
6. Instale la tapa de la caja de conexiones.

Instalación

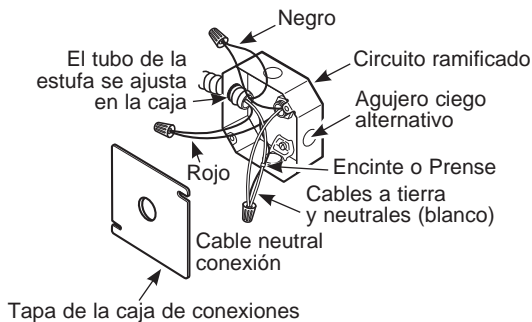
2 CONEXIONES ELÉCTRICAS (Cont)

B CONEXIÓN DE CIRCUITO DE EMPALMES DE TRES CONDUCTORES

NOTA: Si los cables del hogar poseen conductores de aluminio, ver la ADVERTENCIA en la página 2.

Cuando conecte un circuito derivado de tres conductores, si lo permiten los códigos locales:

1. Evite que el conductor neutro (blanco) quede enredado con cualquier otro cable. De ser necesario, corte el conductor neutro (blanco) y luego vuelva a pelar el mismo, a fin de exponer la longitud adecuada del conductor.

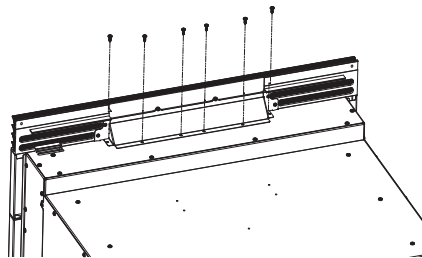


2. Conecte el cable rojo del horno al cable rojo del circuito derivado y el cable negro del horno al cable negro del circuito derivado de acuerdo con los códigos locales, utilizando tapones de alambre.
3. Instale una abrazadera adecuada de alivio de tensión.
4. Instale la tapa de la caja de conexiones.

3 INSTALACIÓN DEL HORNO EN EL GABINETE

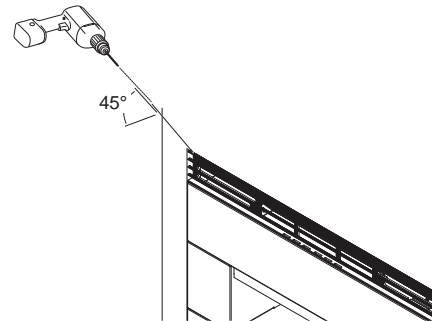
B CON KIT DE MARCOS

1. Antes de levantar el horno sobre el espacio del gabinete, retire los seis tornillos de la ventilación superior y adhiera la rejilla superior a la parte superior del horno usando los mismos tornillos, como se muestra.

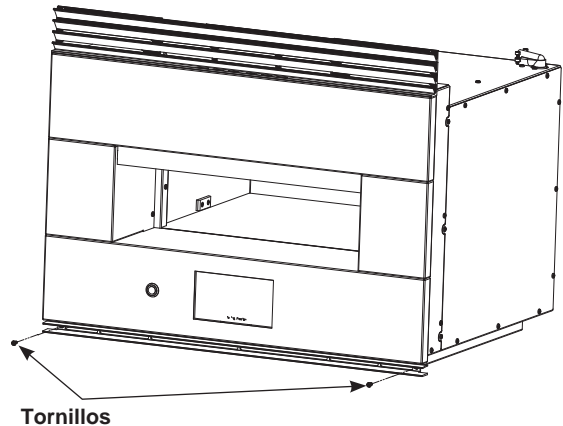


3 INSTALACIÓN DEL HORNO EN EL GABINETE

2. Eleve el horno hasta el espacio del gabinete usando la parte inferior como agarre. No lo levante desde la abertura del horno.
3. Con cuidado, deslice la parte trasera del horno dentro del espacio hasta que la rejilla superior toque apenas la cara frontal del gabinete. **NOTA:** No empuje con demasiada fuerza, ya que se podrán producir daños sobre la rejilla superior.
4. Haga agujeros piloto sobre el gabinete para el montaje de la rejilla superior, usando una broca de 3/32" y el agujero del marco como guía. Instale los dos tornillos Phillips de 3/4".



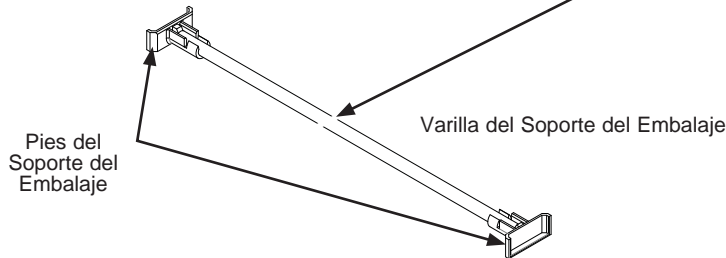
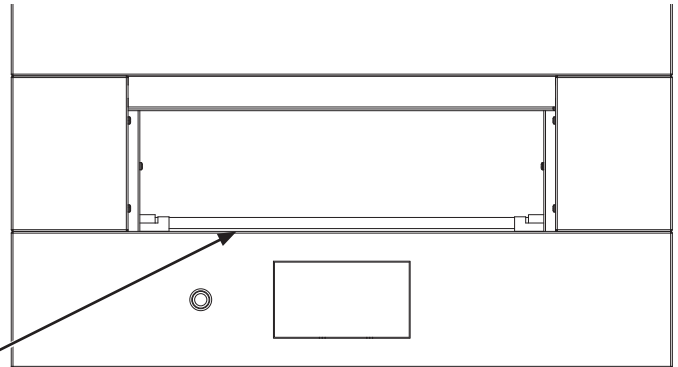
5. Una vez que el horno se encuentre instalado en el gabinete, alinee el Marco de Ventilación Inferior con los agujeros de los soportes de montaje y realice su instalación usando dos tornillos Torx de 1/2".



Instalación

LISTA DE CONTROL ANTES DE LA PRUEBA

- De estar presente, retire toda la película protectora.
- Revise para asegurarse de que todos los alambres estén bien conectados y no aplastados.
- Retire los soportes de embalaje de la superficie de cocción:
 1. Retire la Varilla del Soporte del Embalaje empujando hacia arriba sobre un extremo.
 2. Retire ambos Pies del Soporte de Embalaje, deslizando estos hacia afuera de la pared y hacia el centro de la Piedra.
 3. Realice su retiro del horno y descártelos.



LISTA DE CONTROL PARA LA OPERACIÓN

IMPORTANTE

- Retire cualquier artículo del interior del horno.
- Cerciórese de que el conducto está conectado firmemente a la caja de conexión eléctrica.
- Conecte la energía hacia el horno. (Consulte su Manual del propietario.) Verifique que todas las funciones de cocción operen correctamente.
- Cerciórese de que el interruptor de circuito no se haya disparado o de que los fusibles de la casa no estén quemados.
- Consulte el manual del propietario para una lista de problemas eventuales.

NOTA AL ELECTRICISTA: los alambres eléctricos proporcionados con este aparato son reconocidos por la UL para las conexiones con cableado residencial de mayor calibre. El aislante de estos alambres supera las especificaciones indicadas para cableado residencial. La capacidad actual de conducción del cable depende de la clasificación de la temperatura del aislamiento alrededor del alambre.

⚠ WARNING UNA CONEXIÓN INAPROPIADA DEL CABLEADO DEL ALUMINIO RESIDENCIAL CON EL COBRE, PODRÍA RESULTAR EN PROBLEMAS SERIOS O EN INCENDIO. VER LA ADVERTENCIA EN LA PÁGINA 2.

NOTA: Al realizar las instalaciones descritas en este libro, se deberán usar anteojos o gafas de seguridad.

NOTA: Monogram Appliances se esfuerza de forma constante para mejorar sus productos. Por lo tanto, los materiales, el aspecto y las especificaciones están sujetos a cambios sin aviso previo