

24" Compact Washer



800 Series Washer with Home Connect® – WGB246AXUC



WGB246AXUC
Pearl Steel

The 800 Series Laundry pair is recognized as **ENERGY STAR® Most Efficient of 2024** and offers matching quality, design and fast wash and dry cycles.

Features & Benefits

With the Home Connect® app, control and monitor your appliance remotely and receive helpful notifications on your smart device, including when a cycle is complete.

AquaStop® Plus provides protection against water damage with 24 hour leak detection.

i-DOS technology automatically dispenses the perfect amount of detergent for each load, saving detergent and time.

At 2.4 cu. ft. Bosch washers are compact in size without sacrificing capacity so you can fit a variety of loads.

| General Properties | |
|-------------------------------|------------------------------------|
| Tub material | Stainless Steel |
| Maximum spin speed | 1,600 rpm |
| Interior light | Yes (LED) |
| Leak protection systems | AquaStop® Plus |
| Internal water heater | Yes |
| Stackable | Yes with Stacking Kit Accessory |
| Silence level – washing | 51 dBA |
| Silence level – spinning | 75 dBA |
| Programs (No.), [Special] | (13) [Sanitize, SuperQuick™ 15/30] |
| Options (No.), [Special] | (10) [Remote Start, Speed Perfect] |
| Home Connect® (Wi-Fi enabled) | Yes |
| Energy consumption | 105 kWh/yr |
| Water consumption | 2,430 gal/yr |
| ENERGY STAR® Certified | Most Efficient 2024 |
| Capacity | |
| Capacity | 2.4 cu. ft. |
| Design Elements | |
| Door ring | Chrome |
| Control type | Premium LED touch |
| Dial | Illuminated jog dial |
| Bosch logo on door glass | Yes |
| Technical Details | |
| Watts | 2000 W |
| Circuit breaker | 15 A* |
| Volts | 208/220-240 V |
| Current | 10.5 A |
| Frequency | 60 Hz |
| Power Cord (included) [Type] | (Yes) [240V; NEMA 6-15, 3-prong] |

| Technical Details Continued | |
|--------------------------------------|-----------------------------|
| Power cord length | 63" (Full Length) |
| Drain hose length | 57" (Full Length) |
| Inlet hose length | 59" (Full Length) |
| Door hinge | Left Side (Not Reversible) |
| Dimensions & Weight | |
| Overall appliance dimensions (HxWxD) | 33 1/4" x 23 1/2" x 25 1/2" |
| Net weight | 182 lbs |
| Minimum stack height | 67 3/4" |

†ADA compliance
– Meets ADA height and access requirements *when installed on pedestal*.
– Meets ADA operable parts requirements for controls and detergent dispenser.

| Accessories | |
|---|------------|
| Short Stainless Steel Hose (If needed for plumbing box clearance with AQS hose) | P/N 645787 |

Dryer Stacking Kits



WTZ2750XUC
Kit w/Shelf

WTZ2751XUC
Kit w/out Shelf

WTZSB3XUC
Kit w/Brackets

Necessary only when stacking a matching Bosch dryer on top of washer. Shown here for reference only.

Power Adapters



WTZPA20UC
4-Prong

WTZPA30US
3-Prong

Matching Bosch Dryers are supplied with WTZPA20UC adapter to fit a standard 4-Prong, 30A, Dryer receptacle (NEMA 14-30R) to power both Bosch Washers and Dryers.

Note: – 3-Prong Adapter may be ordered directly from Bosch (not supplied with Washer or Dryer).
– Use of two individual NEMA 6-15R or 6-20R receptacles/circuits may be used as alternative means to power Washer and Dryer.



WMZPW2XW
Washer Pedestal



*Stated circuit breaker size is if the appliance is plugged into an individual 240/208V, 15A minimum branch circuit.
*To be fully ADA compliant, these units must be installed according to ADA guidelines. Please check current ADA requirements for guidance on installation.

Accessories: To purchase Bosch accessories, cleaners & parts please visit www.bosch-home.com/us/store or call 1-800-944-2904 (Mon to Fri 5 am to 6 pm PST, Sat 6 am to 3 pm PST).

Notes: All height, width and depth dimensions are shown in inches. BSH reserves the absolute and unrestricted right to change product materials and specifications, at any time, without notice. Consult the product's installation instructions for final dimensional data and other details prior to making cutout.

Warranties: Please see Use & Care manual or Bosch website for statement of limited warranty.

For more information on our entire line of products, go to www.bosch-home.com/us or call 1-800-944-2904

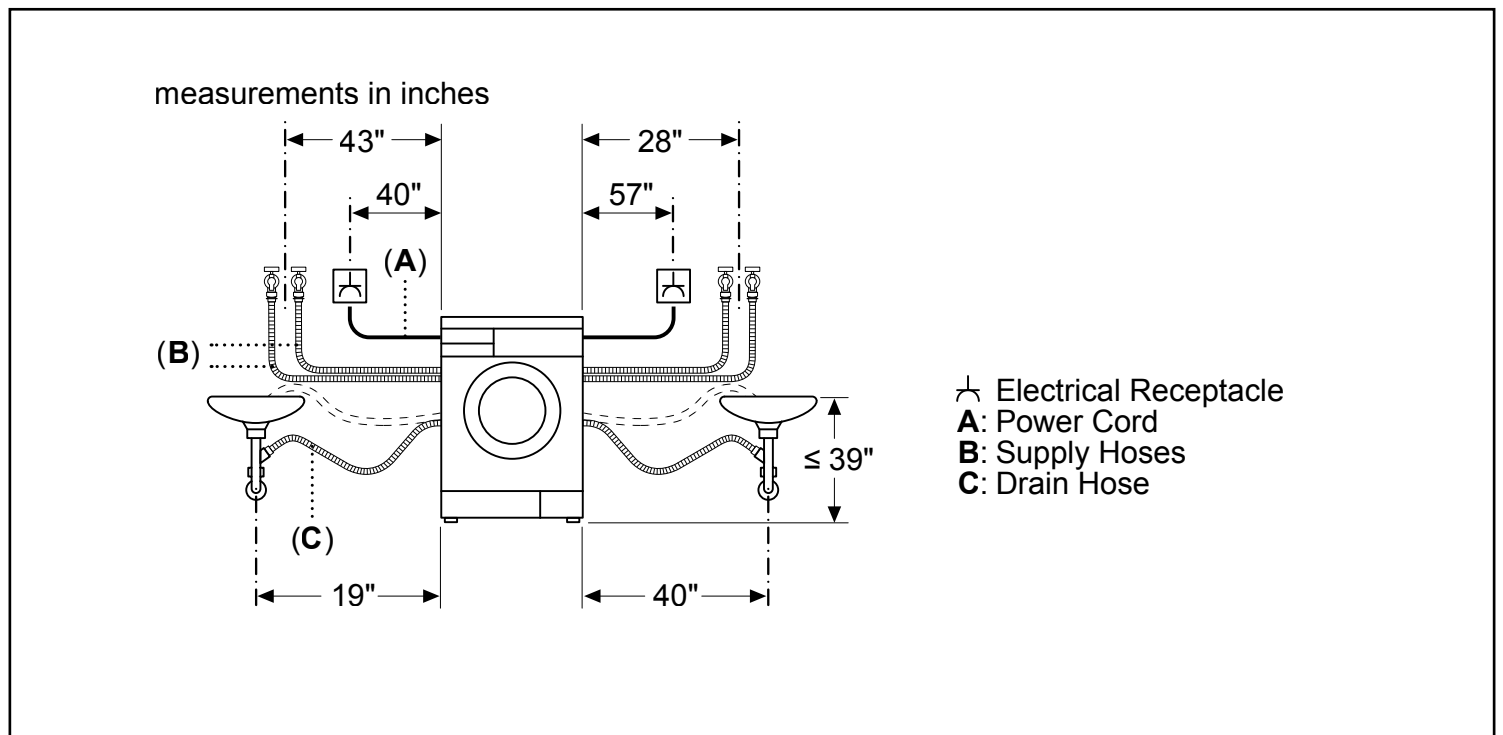
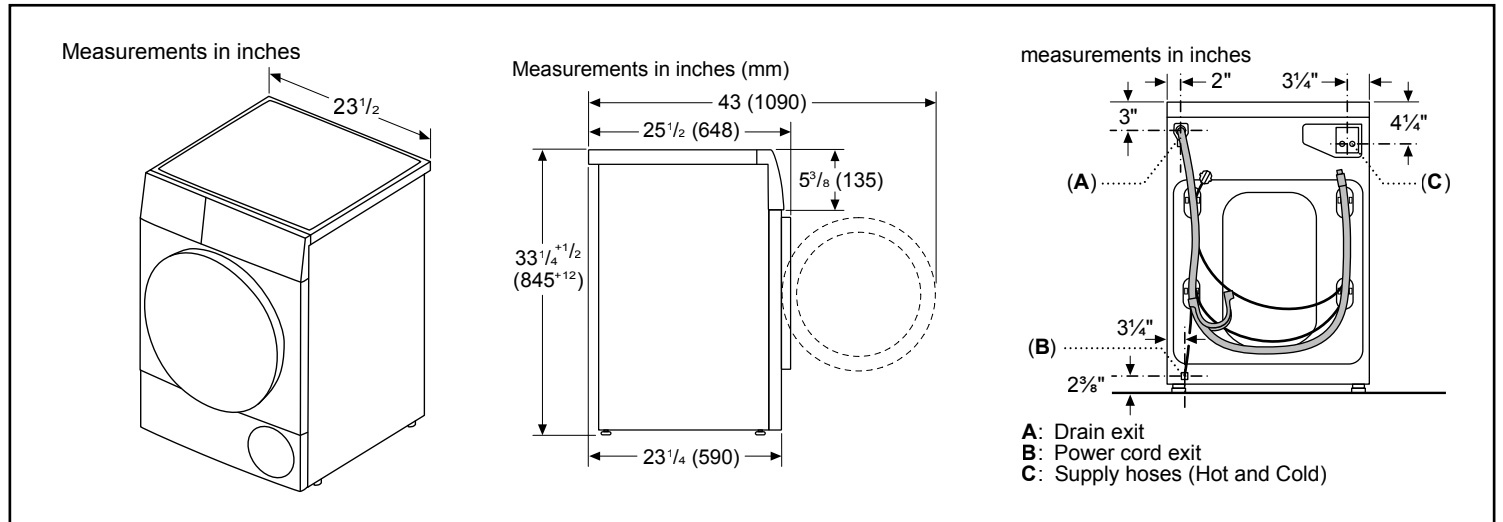
© BSH Home Appliances Corporation. All rights reserved. Bosch is a registered trademark of Robert Bosch GmbH.

24" Compact Washer



800 Series Washer with Home Connect® – WGB246AXUC

Installation Details



Accessories: To purchase Bosch accessories, cleaners & parts please visit www.bosch-home.com/us/store or call 1-800-944-2904 (Mon to Fri 5 am to 6 pm PST, Sat 6 am to 3 pm PST).

Notes: All height, width and depth dimensions are shown in inches. BSH reserves the absolute and unrestricted right to change product materials and specifications, at any time, without notice. Consult the product's installation instructions for final dimensional data and other details prior to making cutout.

Warranties: Please see Use & Care manual or Bosch website for statement of limited warranty.

For more information on our entire line of products, go to www.bosch-home.com/us or call 1-800-944-2904

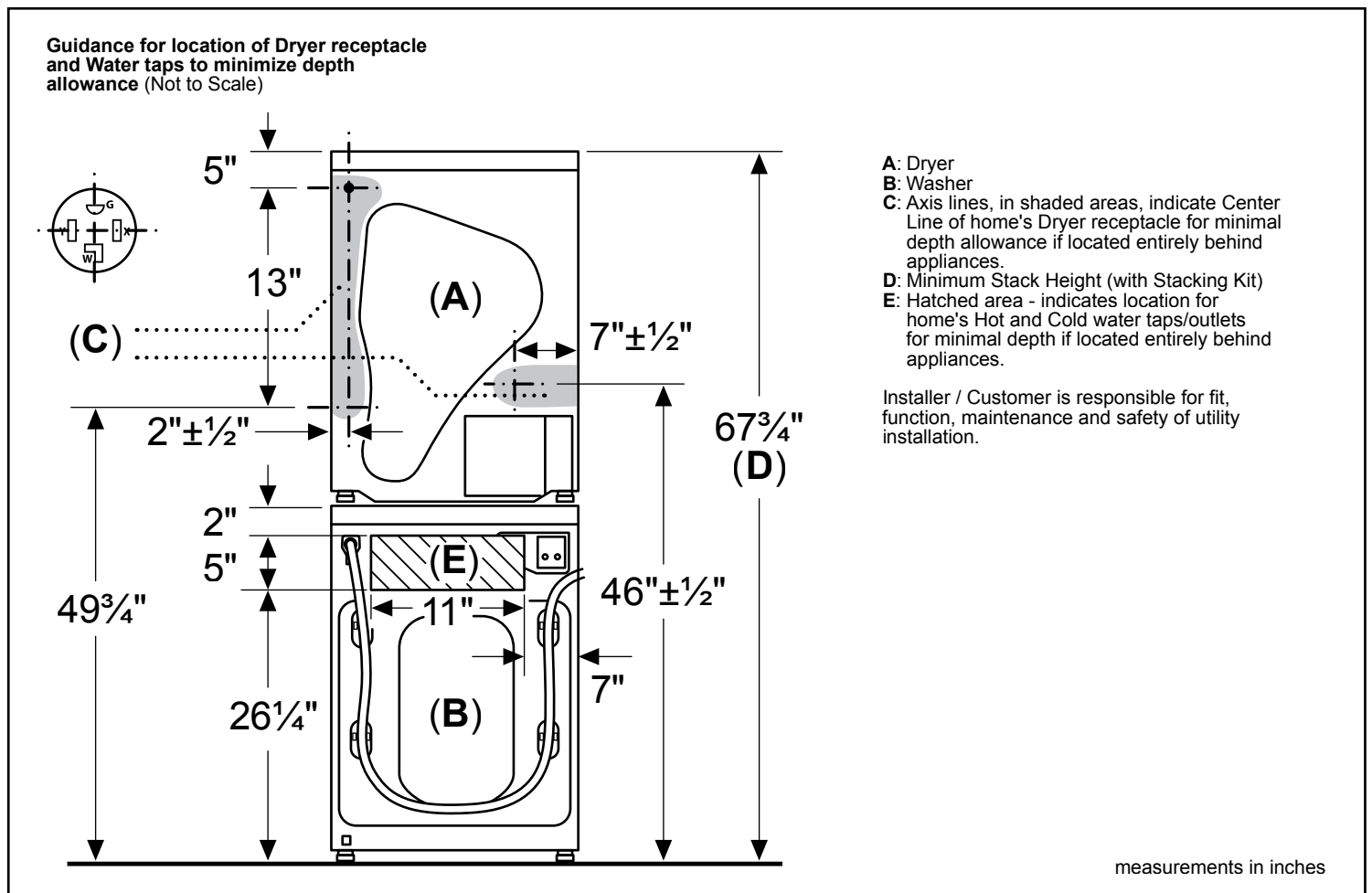
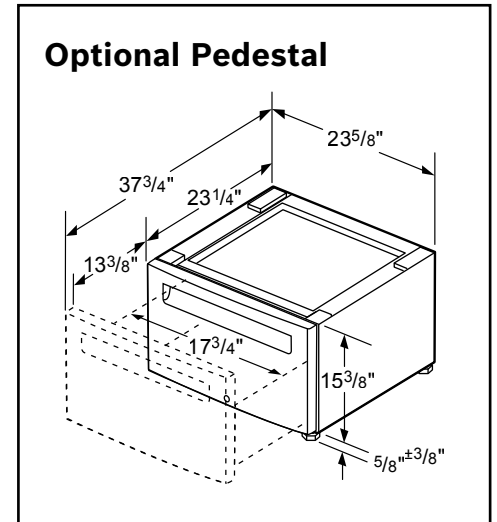
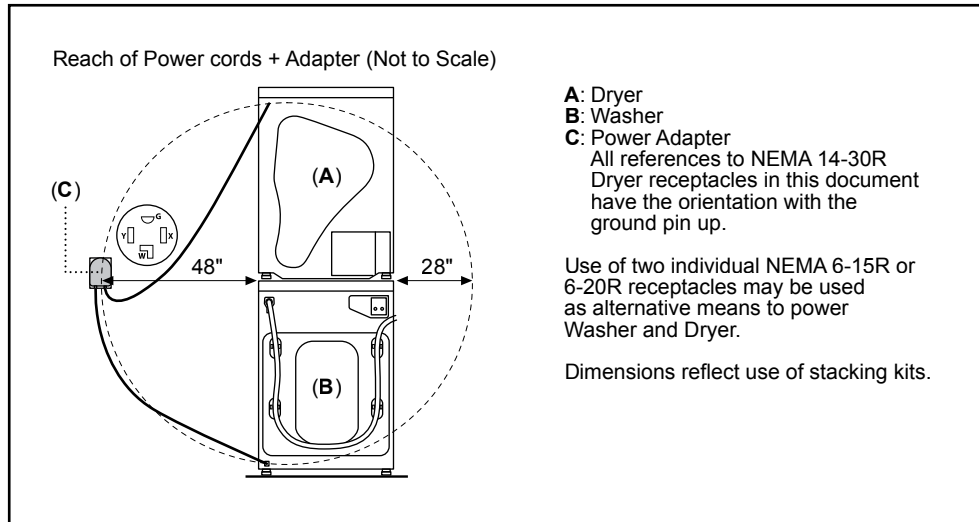
© BSH Home Appliances Corporation. All rights reserved. Bosch is a registered trademark of Robert Bosch GmbH.

24" Compact Washer



800 Series Washer with Home Connect® – WGB246AXUC

Installation Details



Accessories: To purchase Bosch accessories, cleaners & parts please visit www.bosch-home.com/us/store or call 1-800-944-2904 (Mon to Fri 5 am to 6 pm PST, Sat 6 am to 3 pm PST).

Notes: All height, width and depth dimensions are shown in inches. BSH reserves the absolute and unrestricted right to change product materials and specifications, at any time, without notice. Consult the product's installation instructions for final dimensional data and other details prior to making cutout.

Warranties: Please see Use & Care manual or Bosch website for statement of limited warranty.

For more information on our entire line of products, go to www.bosch-home.com/us or call 1-800-944-2904

© BSH Home Appliances Corporation. All rights reserved. Bosch is a registered trademark of Robert Bosch GmbH.

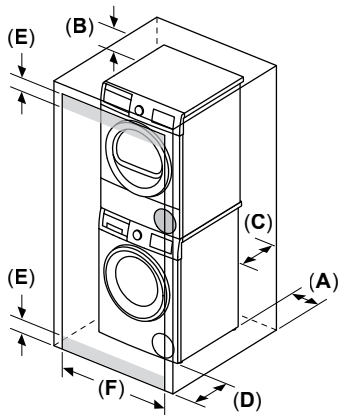
24" Compact Washer



800 Series Washer with Home Connect® – WGB246AXUC

Installation Details

Closet: Stacked Washer with Heat Pump Dryer



Minimum clearance requirements

(Stacked, Stand Alone or Side by Side):

A: Both sides (left and right) – 1/2"

B: Top – 6 1/4"

C: Rear – 3"

D: Front – 1/2"

Minimum door undercut (louvered area):

E: Undercut height (Top and Bottom) – 1 1/4"

Louvered areas of equal total sizes and split between upper and lower portions of door are permitted.

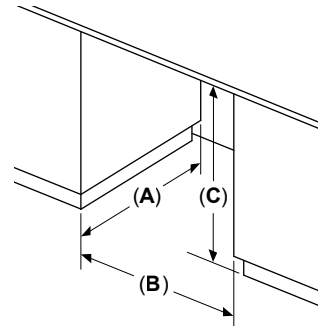
F: Undercut width (Top and Bottom):

– 24" minimum for Stacked and Stand Alone

– 48" minimum for Side by Side

For shortest drying times keep closet door open while dryer is operating. When closet doors are closed, open areas only allow minimal drying results (expect long drying times).

Under Counter



Minimum opening dimensions:

A: Depth – 28"

B: Width – 23 7/8"

C: Height – 34 1/2"

Front of appliance fully open.
No doors or coverings.

Accessories: To purchase Bosch accessories, cleaners & parts please visit www.bosch-home.com/us/store or call 1-800-944-2904 (Mon to Fri 5 am to 6 pm PST, Sat 6 am to 3 pm PST).

Notes: All height, width and depth dimensions are shown in inches. BSH reserves the absolute and unrestricted right to change product materials and specifications, at any time, without notice. Consult the product's installation instructions for final dimensional data and other details prior to making cutout.

Warranties: Please see Use & Care manual or Bosch website for statement of limited warranty.

For more information on our entire line of products, go to www.bosch-home.com/us or call 1-800-944-2904

© BSH Home Appliances Corporation. All rights reserved. Bosch is a registered trademark of Robert Bosch GmbH.