

# INSTALLATION INSTRUCTIONS 24", 30", AND 36" (61.0 CM, 76.2 CM, AND 91.4 CM) TOUCH-ACTIVATED ELECTRONIC INDUCTION COOKTOP

## Table of Contents

<b>COOKTOP SAFETY</b> .....	<b>1</b>
<b>INSTALLATION REQUIREMENTS</b> .....	<b>3</b>
Tools and Parts.....	3
Location Requirements.....	3
Electrical Requirements.....	6
<b>INSTALLATION INSTRUCTIONS</b> .....	<b>6</b>
Prepare Cooktop for Installation.....	6
Install Cooktop.....	7
Make Electrical Connection.....	7
Complete Installation.....	8

## COOKTOP SAFETY

### Your safety and the safety of others are very important.

We have provided many important safety messages in this manual and on your appliance. Always read and obey all safety messages.



This is the safety alert symbol.

This symbol alerts you to potential hazards that can kill or hurt you and others.

All safety messages will follow the safety alert symbol and either the word "DANGER" or "WARNING."

These words mean:

**⚠ DANGER**

**You can be killed or seriously injured if you don't immediately follow instructions.**

**⚠ WARNING**

**You can be killed or seriously injured if you don't follow instructions.**

All safety messages will tell you what the potential hazard is, tell you how to reduce the chance of injury, and tell you what can happen if the instructions are not followed.

### IMPORTANT:

Save for local electrical inspector's use.

**W11251690B**

# IMPORTANT SAFETY INSTRUCTIONS

**WARNING:** TO REDUCE THE RISK OF FIRE, ELECTRIC SHOCK, OR INJURY TO PERSONS, OBSERVE THE FOLLOWING:

- Use this unit only in the manner intended by the manufacturer. If you have questions, contact the manufacturer.
- **WARNING:** Danger of fire: Do not store items on the cooking surfaces. Never leave anything on the surface when unattended and not in use. Never place flammable or plastic items on or near the surface.
- Before servicing or cleaning the unit, switch power off at service panel and lock the service disconnecting means to prevent power from being switched on accidentally. When the service disconnecting means cannot be locked, securely fasten a prominent warning device, such as a tag, to the service panel.
- Installation work and electrical wiring must be done by qualified person(s) in accordance with all applicable codes and standards, including fire-rated construction.
- Do not operate any fan with a damaged cord or plug. Discard fan or return to an authorized service facility for examination and/or repair.
- Sufficient air is needed for proper combustion and exhausting of gases through the flue (chimney) of fuel burning equipment to prevent backdrafting. Follow the heating equipment manufacturer's guideline and safety standards such as those published by the National Fire Protection Association (NFPA), the American Society for Heating, Refrigeration and Air Conditioning Engineers (ASHRAE), and the local code authorities.
- When cutting or drilling into wall or ceiling, do not damage electrical wiring and other hidden utilities.
- Ducted fans must always be vented outdoors.

**CAUTION:** For general ventilating use only. Do not use to exhaust hazardous or explosive materials and vapors.

**CAUTION:** To reduce risk of fire and to properly exhaust air, be sure to duct air outside - do not vent exhaust air into spaces within walls or ceilings, attics or into crawl spaces, or garages.

**WARNING:** TO REDUCE THE RISK OF FIRE, USE ONLY METAL DUCTWORK.

**WARNING:** TO REDUCE THE RISK OF A RANGE TOP GREASE FIRE:

- Never leave surface units unattended at high settings. Boilovers cause smoking and greasy spillovers that may ignite. Heat oils slowly on low or medium settings.
- Always turn hood ON when cooking at high heat or when flambeing food (i.e. Crepes Suzette, Cherries Jubilee, Peppercorn Beef Flambé).
- Clean ventilating fans frequently. Grease should not be allowed to accumulate on fan or filter.
- Use proper pan size. Always use cookware appropriate for the size of the surface element.

**WARNING:** TO REDUCE THE RISK OF INJURY TO PERSONS IN THE EVENT OF A RANGE TOP GREASE FIRE, OBSERVE THE FOLLOWING:

- SMOTHER FLAMES with a close fitting lid, cookie sheet, or metal tray, then turn off the burner. BE CAREFUL TO PREVENT BURNS. If the flames do not go out immediately, EVACUATE AND CALL THE FIRE DEPARTMENT.
- NEVER PICK UP A FLAMING PAN - you may be burned.
- DO NOT USE WATER, including wet dishcloths or towels - a violent steam explosion will result.
- Use an extinguisher ONLY if:
  - You know you have a class ABC extinguisher, and you already know how to operate it.
  - The fire is small and contained in the area where it started.
  - The fire department is being called.
  - You can fight the fire with your back to an exit.

Based on "Kitchen Fire Safety Tips" published by NFPA.

**WARNING:** To reduce the risk of fire or electrical shock, do not use this fan with any solid-state speed control device.

- Do Not Leave Children Alone – Children should not be left alone or unattended in area where appliance is in use. They should never be allowed to sit or stand on any part of the appliance.
- Wear Proper Apparel – Loose-fitting or hanging garments should never be worn while using the appliance.
- User Servicing – Do not repair or replace any part of the appliance unless specifically recommended in the manual. All other servicing should be referred to a qualified technician.
- Use Only Dry Potholders – Moist or damp potholders on hot surfaces may result in burns from steam. Do not let potholder touch hot heating elements. Do not use a towel or other bulky cloth.
- Utensil Handles Should Be Turned Inward and Not Extend Over Adjacent Surface Units – To reduce the risk of burns, ignition of flammable materials, and spillage due to unintentional contact with the utensil, the handle of a utensil should be positioned so that it is turned inward, and does not extend over adjacent surface units.
- Do Not Cook on Broken Cook-Top – If cook-top should break, cleaning solutions and spillovers may penetrate the broken cook-top and create a risk of electric shock. Contact a qualified technician immediately.
- Do not place metallic objects such as knives, forks, spoons and lids on the cooktop surface since they can get hot.

**CAUTION:** Do not store items of interest to children in cabinets above a range or on the backguard of a range – children climbing on the range to reach items could be seriously injured.

- DO NOT TOUCH SURFACE UNITS OR AREAS NEAR UNITS – Surface units may be hot even though they are dark in color. Areas near surface units may become hot enough to cause burns. During and after use, do not touch, or let clothing or other flammable materials contact surface units or areas near units until they have had sufficient time to cool. Among these areas are (identification of areas – for example, the cook-top and surfaces facing the cook-top).

## READ AND SAVE THESE INSTRUCTIONS

 **WARNING:**

**Never Operate the Top Surface Cooking Section of this Appliance Unattended**

- Failure to follow this warning statement could result in fire, explosion, or burn hazard that could cause property damage, personal injury, or death.
- If a fire should occur, keep away from the appliance and immediately call your fire department.

**DO NOT ATTEMPT TO EXTINGUISH AN OIL/GREASE FIRE WITH WATER.**

## INSTALLATION REQUIREMENTS

### Tools and Parts

Gather the required tools and parts before starting installation. Read and follow the instructions provided with any tools listed here.

#### Tools Needed

- Tape measure
- Phillips screwdriver
- Flat-blade screwdriver
- Marker or pencil
- Pliers

#### Parts Supplied

Check that all parts are included.

- Cooktop assembly
- (2) Hold-down brackets
- (2) 1" (2.5 cm) clamping screws
- Foam tape seal
- Foam strip

#### Parts Needed

- (4) UL listed 22-6 AWG Twist on Connectors

Check local codes. Check existing electrical supply. See the "Electrical Requirements" section.

It is recommended that all electrical connections be made by a licensed, qualified electrical installer.

- Use the countertop opening dimensions that are given with these Installation Instructions. Given dimensions are minimum clearances and provide 0" (0 cm) clearance.
- Grounded electrical supply is required. See the "Electrical Requirements" section.

**IMPORTANT:** To avoid damage to your cabinets, check with your builder or cabinet supplier to make sure that the materials used will not discolor, delaminate, or sustain other damage. This cooktop has been designed in accordance with the requirements of UL and CSA International and complies with the maximum allowable wood cabinet temperatures of 194°F (90°C).

The model/serial/rating label is located on the bottom of the electrical junction box cover.

To eliminate the risk of burns or fire by reaching over heated surface units, cabinet storage space located above the surface units should be avoided. If cabinet storage is to be provided, the risk can be reduced by installing a range hood that projects horizontally a minimum of 5" (12.7 cm) beyond the bottom of the cabinets.

### Location Requirements

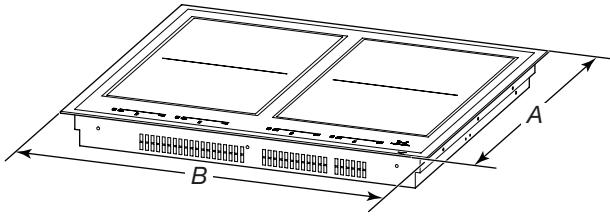
**IMPORTANT:** Observe all governing codes and ordinances. When installing cooktop, use minimum dimensions given.

- The cooktop must be a specified cooktop that is approved to be installed either alone or over an undercounter built-in oven. Check the cooktop base for an approved installation label. If you do not find this label, contact your dealer to confirm that your cooktop is approved.
- The cooktop must be installed in a level countertop.
- Ovens approved for this type of installation will have an approval label located on the top of the oven. If you do not find this label, contact your dealer to confirm that your oven is approved. Refer to oven manufacturer's Installation Instructions for approval for built-in undercounter use and proper cutout dimensions.
- The cooktop should be installed away from strong draft areas, such as windows, doors, fans, or strong heating vents. The cooktop should be located for convenient use in the kitchen.

## Product Dimensions

### 24" (61.0 cm) Cooktop (Model JIC4724HB, JIC4724HS)

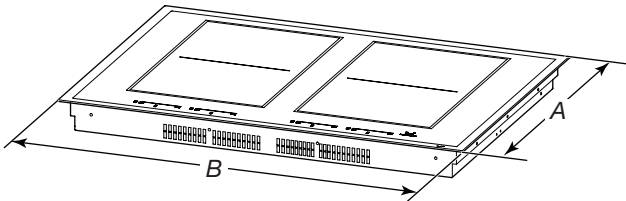
Top View



- A. 21" (53.3 cm)
- B. 24" (61.0 cm)

### 30" (76.2 cm) Cooktop (Model JIC4730HB, JIC4730HS)

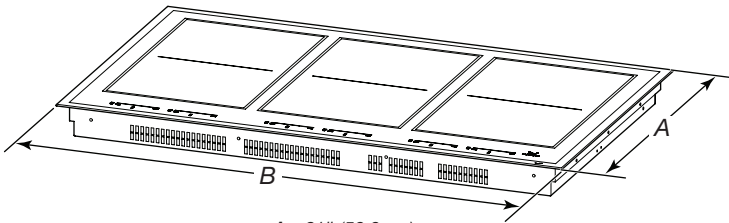
Top View



- A. 21" (53.3 cm)
- B. 30" (76.2 cm)

### 36" (91.4 cm) Cooktop (Model JIC4736HS, JIC4736HB)

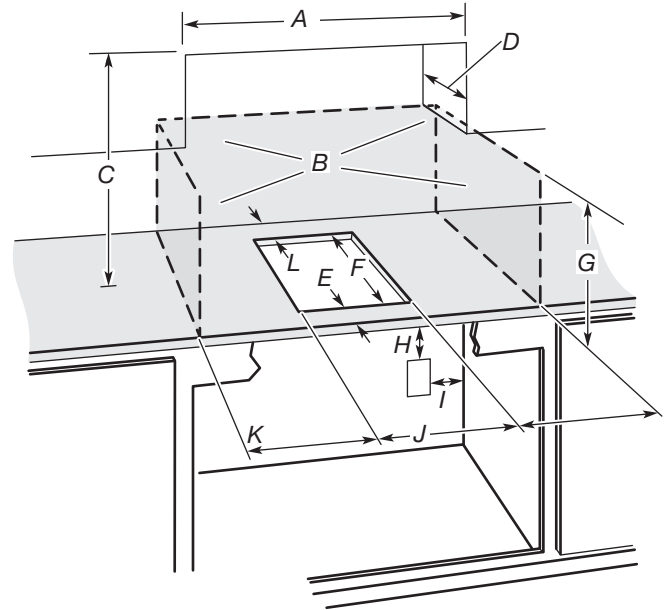
Top View



- A. 21" (53.3 cm)
- B. 36" (91.4 cm)

## Cabinet Dimensions

**IMPORTANT:** If installing a range hood or microwave hood combination above the cooktop, follow the range hood or microwave hood combination installation instructions for dimensional clearances above the cooktop surface.



- A. Minimum upper cabinet width. See the "Standard Install Dimensions" table.
- B. Combustible area above countertop (shown by dashed box above)
- C. 30" (76.2 cm) minimum clearance between top of cooktop platform and bottom of uncovered wood or metal cabinet (24" [61.0 cm] minimum clearance if bottom of wood or metal cabinet is covered by not less than 1/4" [0.06 mm] flame retardant millboard covered with not less than No. 28 MSG sheet steel, 0.015" [0.04 cm] stainless steel, or 0.024" [0.06 cm] aluminum or 0.020" [0.05 cm] copper)
- D. 13" (33 cm) recommended upper cabinet depth
- E. 2<sup>5</sup>/<sub>16</sub>" (5.9 cm) minimum distance to front countertop edge
- F. 20<sup>3</sup>/<sub>16</sub>" (51.8 cm)
- G. 18" (45.7 cm) minimum clearance from upper cabinet to countertop within minimum horizontal clearances to cooktop
- H. Junction box or outlet: 7" (17.8 cm) minimum from top of countertop
- I. Junction box or outlet: 9" (23.0 cm) maximum from right side of cabinet
- J. See the "Standard Install Dimensions" Table
- K. 6" (15.2 cm) minimum side wall clearance
- L. 2<sup>5</sup>/<sub>16</sub>" (5.9 cm) minimum distance to rear combustible surface

## Standard Install Dimensions Table

**NOTE:** When pairing cooktops, this option is recommended only with stainless steel or framed cooktops.

Units	Upper Cabinet Width (A)	Cutout Width (J)
One 15" (38.1 cm) unit	15" (38.1 cm)	14 <sup>3</sup> / <sub>8</sub> " (36.5 cm)
Two 15" (38.1 cm) units	30" (76.2 cm)	29 <sup>3</sup> / <sub>8</sub> " (74.6 cm)
Three 15" (38.1 cm) units	45" (114.3 cm)	44 <sup>7</sup> / <sub>16</sub> " (112.9 cm)
Four 15" (38.1 cm) units	60" (152.4 cm)	59 <sup>7</sup> / <sub>16</sub> " (151.0 cm)
24" (61.0 cm) cooktop	24" (61.0 cm)	22 <sup>31</sup> / <sub>32</sub> " (58.3 cm)
24" (61.0 cm) cooktop and one 15" (38.1 cm) unit	39" (99.1 cm)	38 <sup>3</sup> / <sub>16</sub> " (97.0 cm)
24" (61.0 cm) cooktop and two 15" (38.1 cm) units	54" (137.2 cm)	53 <sup>3</sup> / <sub>8</sub> " (135.6 cm)
30" (76.2 cm) cooktop	30" (76.2 cm)	28 <sup>31</sup> / <sub>32</sub> " (73.6 cm)
30" (76.2 cm) cooktop and one 15" (38.1 cm) unit	45" (114.3 cm)	44 <sup>3</sup> / <sub>16</sub> " (112.2 cm)
30" (76.2 cm) cooktop and two 15" (38.1 cm) units	60" (152.4 cm)	59 <sup>3</sup> / <sub>16</sub> " (150.3 cm)
36" (91.4 cm) cooktop	36" (91.4 cm)	34 <sup>31</sup> / <sub>32</sub> " (88.8 cm)
36" (91.4 cm) cooktop and one 15" (38.1 cm) unit	51" (129.5 cm)	50 <sup>3</sup> / <sub>16</sub> " (127.5 cm)

**NOTE:** After making the countertop cutout, some installations may require notching down the base cabinet side walls to clear the cooktop base. To avoid this modification, use a base cabinet with sidewalls wider than the cutout.

If cabinet has a drawer, a 5<sup>1</sup>/<sub>2</sub>" (14.0 cm) depth clearance from the countertop to the top of the drawer (or other obstruction) in base cabinet is required.

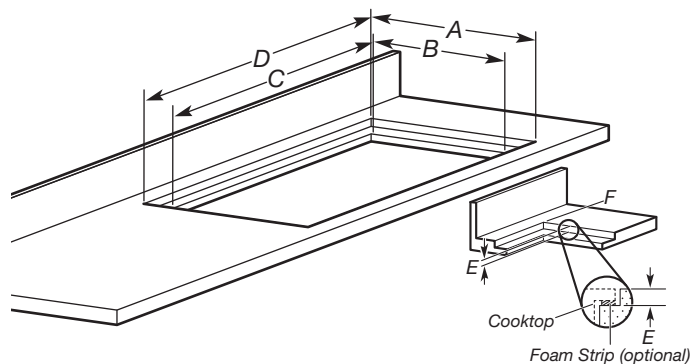
### Flush Installation Dimensions

All cooktops can be mounted with a frameless standard installation sitting on top of the countertop surface or flush with the top of the countertop.

If the cooktop is to be mounted flush with the countertop, a recessed area surrounding the cooktop cutout must be provided with the following dimensions:

- 11/64" (4.3 mm) recessed depth is needed for the SS Frame Model (see dimension E).
- 7/32" (5.6 mm) recessed depth is needed for the Glass Model without a frame.

**NOTE:** This option is not recommended for countertops with a molded backsplash. Do not silicone seal in place.



- A. Recessed area length 21<sup>3</sup>/<sub>16</sub>" (53.8 cm)
- B. Cutout length 20<sup>3</sup>/<sub>8</sub>" (51.8 cm)
- C. See the "Flush Install Dimension" table.
- D. See the "Flush Install Dimension" table.
- E. Recessed area depth 11/64" (4.3 mm)
- F. Recessed area radius 5/64" (2.0 mm) maximum

### Flush Install Dimension Table

Units	Recessed Area Width (D)	Cutout Width (C)
One 15" (38.1 cm) unit	15 <sup>1</sup> / <sub>8</sub> " (38.4 cm)	14 <sup>3</sup> / <sub>8</sub> " (36.5 cm)
Two 15" (38.1 cm) units	30 <sup>1</sup> / <sub>8</sub> " (76.5 cm)	29 <sup>3</sup> / <sub>8</sub> " (74.6 cm)
Three 15" (38.1 cm) units	45 <sup>1</sup> / <sub>8</sub> " (114.6 cm)	44 <sup>7</sup> / <sub>16</sub> " (112.9 cm)
Four 15" (38.1 cm) units	60 <sup>1</sup> / <sub>8</sub> " (152.7 cm)	59 <sup>7</sup> / <sub>16</sub> " (151.0 cm)
24" (61.0 cm) cooktop	24 <sup>1</sup> / <sub>8</sub> " (61.3 cm)	23 <sup>3</sup> / <sub>8</sub> " (59.4 cm)
24" (61.0 cm) and one 15" (38.1 cm) cooktop	39 <sup>1</sup> / <sub>8</sub> " (99.4 cm)	38 <sup>3</sup> / <sub>16</sub> " (97.0 cm)
24" (61.0 cm) and two 15" (38.1 cm) cooktop	54 <sup>1</sup> / <sub>8</sub> " (137.5 cm)	53 <sup>3</sup> / <sub>8</sub> " (135.6 cm)
30" (76.2 cm) cooktop	30 <sup>1</sup> / <sub>8</sub> " (76.5 cm)	29 <sup>3</sup> / <sub>8</sub> " (74.6 cm)
30" (76.2 cm) cooktop and one 15" (38.1 cm) unit	45 <sup>1</sup> / <sub>8</sub> " (114.6 cm)	44 <sup>3</sup> / <sub>16</sub> " (112.2 cm)
30" (76.2 cm) cooktop and two 15" (38.1 cm) units	60 <sup>1</sup> / <sub>8</sub> " (152.7 cm)	59 <sup>3</sup> / <sub>8</sub> " (150.8 cm)
36" (91.4 cm) cooktop	36 <sup>1</sup> / <sub>8</sub> " (91.8 cm)	35 <sup>3</sup> / <sub>8</sub> " (89.9 cm)
36" (91.4 cm) cooktop and one 15" (38.1 cm) unit	51 <sup>1</sup> / <sub>8</sub> " (129.9 cm)	50 <sup>3</sup> / <sub>16</sub> " (127.5 cm)

**IMPORTANT:** If multiple units are installed side by side, the mounting bridge kit W11031680 is needed for proper installation.

## Electrical Requirements

### **⚠ WARNING**



#### Electrical Shock Hazard

**Disconnect power before servicing.**

**Use 8 gauge copper wire.**

**Electrically ground cooktop.**

**Failure to follow these instructions can result in death, fire, or electrical shock.**

If codes permit and a separate ground wire is used, it is recommended that a qualified electrical installer determine that the ground path and wire gauge are in accordance with local codes.

Check with a qualified electrical installer if you are not sure the cooktop is properly grounded.

Make sure that the electrical connection and wire size are adequate and in conformance with the National Electrical Code, ANSI/NFPA 70—latest edition or CSA Standards C22.1—94, Canadian Electrical Code, Part 1 and C22.2 No. O-M91—latest edition, and all local codes and ordinances.

A copy of the above code standards can be obtained from:

National Fire Protection Association  
1 Batterymarch Park  
Quincy, MA 02169-7471

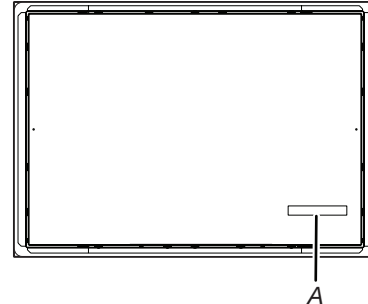
CSA International  
8501 East Pleasant Valley Road  
Cleveland, OH 44131-5575

#### Before You Make the Electrical Connection:

To properly install your cooktop, you must determine the type of electrical connection you will be using and follow the instructions provided for it here.

- A 3-wire or 4-wire, single phase, 240 V, 60 Hz, AC only electrical supply is required on a separate, 40 A for 24" (61.0 cm) and 30" (76.2 cm) models; 50 A for 36" (91.4 cm) model, 2-pole breaker, 240/208 V, 50/60 Hz AC supply circuit fused on both sides of the line. The model/serial/rating plate is located on the metal cabinet underneath the cooktop. See the following illustration.

**NOTE:** A separate 40 A [24" (61.0 cm) and 30" (76.2 cm) models] or 50 A [36" (91.4 cm) model] circuit fused on both sides of the line can be used for 40 A or 50 A, 2-pole breaker, 240/208 V, 50/60 Hz AC-supply.



A. Model/serial/rating plate

- The cooktop is rated 240/208 V.
- The cooktop should be connected directly to the junction box through flexible, conduit shielded wire. No alternative is permissible. The flexible, armored cable extending from the fuse box or circuit breaker box should be connected directly to the junction box.
- Locate the junction box to allow as much slack as possible between the junction box and the cooktop so that the cooktop can be moved if servicing becomes necessary in the future.
- Do not cut the conduit. Use the length of conduit provided.
- A UL Listed or CSA Approved conduit connector must be provided at each end of the power supply cable (at the cooktop and at the junction box). A listed conduit connector is already provided at the cooktop.
- If the house has aluminum wiring, follow the procedure below:  
Connect the aluminum wiring using special connectors and/or tools designed and UL listed for joining copper to aluminum.

## INSTALLATION INSTRUCTIONS

### Prepare Cooktop for Installation

Write down the model and serial numbers before installing the cooktop. Both numbers are located on the center underside of the burner box.

Unpack the parts supplied with your cooktop. The parts shipped with the cooktop depend on the model ordered. See the "Tools and Parts" section for a complete list of parts supplied with the cooktop.

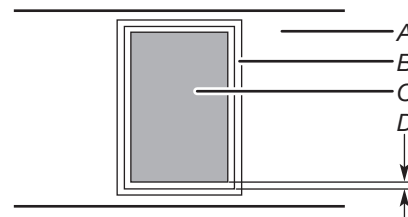
Decide on the final location for the cooktop. Locate existing wiring to avoid drilling into or severing wiring during installation.

1. Remove the foam strip from the hardware package. Remove the backing from the foam strip.

**For countertop installations:** Apply the foam strip with the adhesive side to the countertop within 1/16" (1.6 mm) of the edge of the cutout, front, back, and sides.

**For flush installations:** Apply the foam strip with the adhesive side to the bottom of the cutout recessed area. Save the excess foam strip for use with the mounting bridge kit.

**NOTE:** The foam strip helps keep the underside of the cooktop frame free from debris and helps the cooktop sit flat on uneven countertops. Do not silicone seal in place.



A. Countertop

B. Foam strip

C. Cutout

D. 1/16" (1.6 mm)

## Install Cooktop

### **⚠ WARNING**

#### Excessive Weight Hazard

**Use two or more people to move and install cooktop.  
Failure to do so can result in back or other injury.**

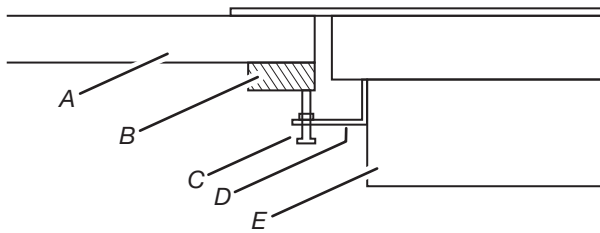
**NOTE:** For multi-unit installations, a mounting bridge kit is required. See the "Tools and Parts" section.

1. Install the cooktop into the countertop cutout by tilting one end of the cooktop into the cutout, then lowering the other end into the cutout.

**NOTE:** Make sure that the front edge of the cooktop is parallel to the front edge of the countertop. If repositioning is needed, lift the entire cooktop up to avoid scratching the countertop.

#### Install cooktop into countertop

1. Remove the two hold-down screws located in each side of the cooktop burner box.
2. Attach the two hold-down brackets to the burner box.
3. Install the cooktop into the countertop cutout by tilting one end of the cooktop into the cutout, then lowering the other end into the cutout.
4. Start the hold-down screws into the hold-down brackets.



- A. Countertop
- B. Wood block
- C. Hold-down screw
- D. Hold-down bracket
- E. Burner box

5. Center the cooktop in the opening and, using a wood block between the screw and the countertop, moderately tighten the screws to secure cooktop.

**IMPORTANT:** Do not tighten screws directly against the countertop.

## Make Electrical Connection

### **⚠ WARNING**



#### Electrical Shock Hazard

**Disconnect power before servicing.**

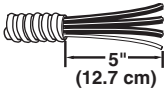
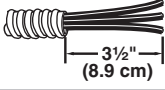
**Use 8 gauge copper wire.**

**Electrically ground cooktop.**

**Failure to follow these instructions can result in death, fire, or electrical shock.**

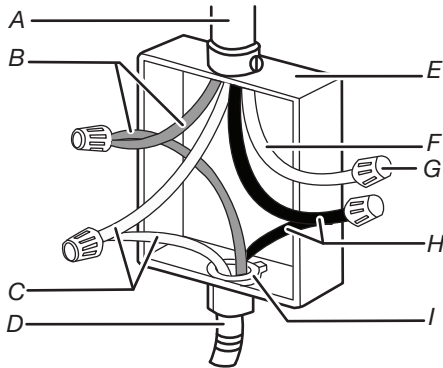
This cooktop is manufactured with a frame-connected green or bare ground wire. Connect the cooktop cable to the junction box through the UL Listed or CSA Approved conduit connector.

#### Electrical Connection Options

If Your Home Has:	And You Will Be Connecting to:	Go to Section:
4-wire direct 	A fused disconnect or circuit breaker box	4-Wire Cable from Home Power Supply
3-wire direct 	A fused disconnect or circuit breaker box	3-Wire Cable from Home Power Supply - U.S.A. Only

## 4-Wire Cable from Home Power Supply

**IMPORTANT:** Use the 4-wire cable from home power supply in the U.S.A. where local codes do not allow grounding through neutral, New Branch circuit installations (1996 NEC), mobile homes and recreational vehicles, New constructions, and in Canada.

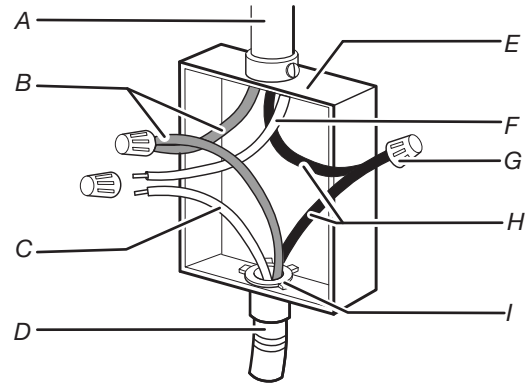


- |                                 |  |
|---------------------------------|--|
| A. Cable from home power supply | F. White wire (from home power supply)                           |
| B. Red wires                    | G. UL listed wire connector                                      |
| C. Green (or bare) ground wires | H. Black wires   |
| D. 3-wire cable from cooktop    | I. UL listed or CSA approved conduit connector with wire bushing |
| E. Junction box                 |  |

1. Disconnect power.
2. Remove junction box cover, if present.
3. Connect the 2 red wires (B) together using a UL listed wire connector.
4. Connect the green (or bare) ground wire (C) from the cooktop cable to the green (or bare) ground wire (in the junction box) using the UL listed wire connectors.
5. Put a UL listed wire connector on the end of the white wire (F).  
**NOTE:** Do not connect the green (or bare) ground wire to the neutral (white) wire in the junction box.
6. Connect the 2 black wire (H) together using a UL listed wire connector.
7. Reinstall junction box cover.

## 3-Wire Cable from Home Power Supply - U.S.A. Only

**IMPORTANT:** Use the 3-wire cable from power supply where local codes permit connecting the frame-ground conductor to the neutral (white) junction box wire:



- |   |  |
|---|--|
| A. 3-wire cable from power supply           | F. White wire (from home power supply)                           |
| B. Red wires                                | G. UL listed wire connector                                      |
| C. Green (or bare) ground wire from cooktop | H. Black wires   |
| D. 3-wire cable (from cooktop)              | I. UL listed or CSA approved conduit connector with wire bushing |
| E. Junction box                             |  |

1. Disconnect power.
2. Remove junction box cover, if present.
3. Connect the 2 red wires (B) together using a UL listed wire connector.
4. Connect the green (or bare) ground wire (C) from cooktop cable to the white (neutral) wire (F) in the junction box using a UL listed wire connector.
5. Connect the 2 black wire (H) together using a UL listed wire connector.
6. Reinstall junction box cover.

## Complete Installation

1. Check that all parts are now installed. If there is an extra part, go back through the steps to see which step was skipped.
2. Check that you have all your tools.
3. Dispose of/recycle all packaging materials.
4. Use a mild solution of liquid household cleaner and warm water to clean cooktop before use. Dry thoroughly with a soft cloth. For more information, see the "Cooktop Care" section of the Use and Care Guide.
5. Read the "Cooktop Use" section in the cooktop Use and Care Guide.
6. Reconnect power.
7. Test the operation of the cooktop: verify that it heats and the control light illuminates in the Hi, Med, and Lo positions. Press OFF when done.

**NOTE:** If the cooktop does not work after turning on the power, check that a circuit breaker has not tripped or a household fuse has not blown. See the "Troubleshooting" section in the Use and Care Guide for further information.

### If You Need Assistance or Service:

Please reference the "Assistance or Service" section of the Use and Care Guide.