

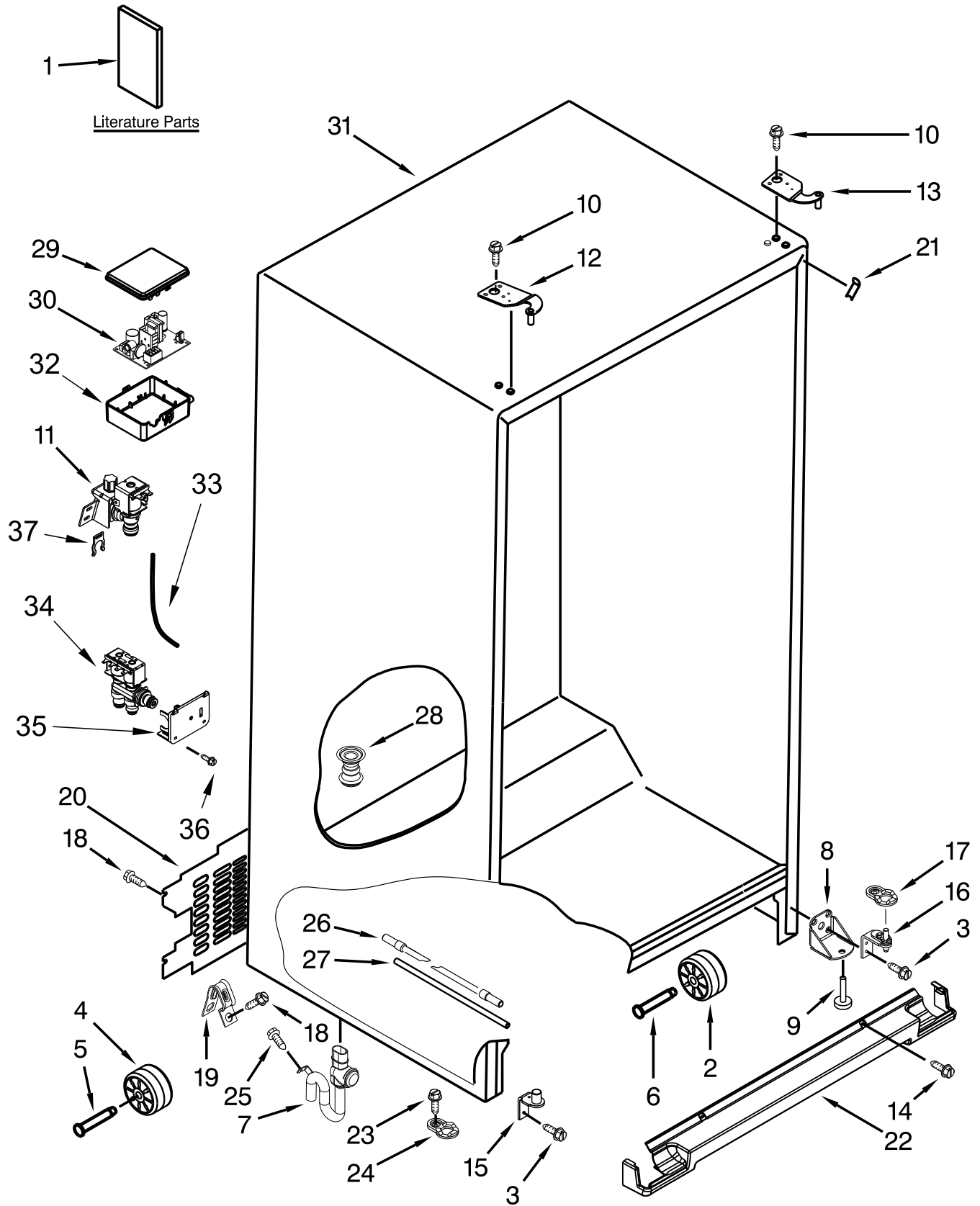


**REFRIGERATOR**

**MODELS:**

MSC21C6MFZ00 (Stainless)

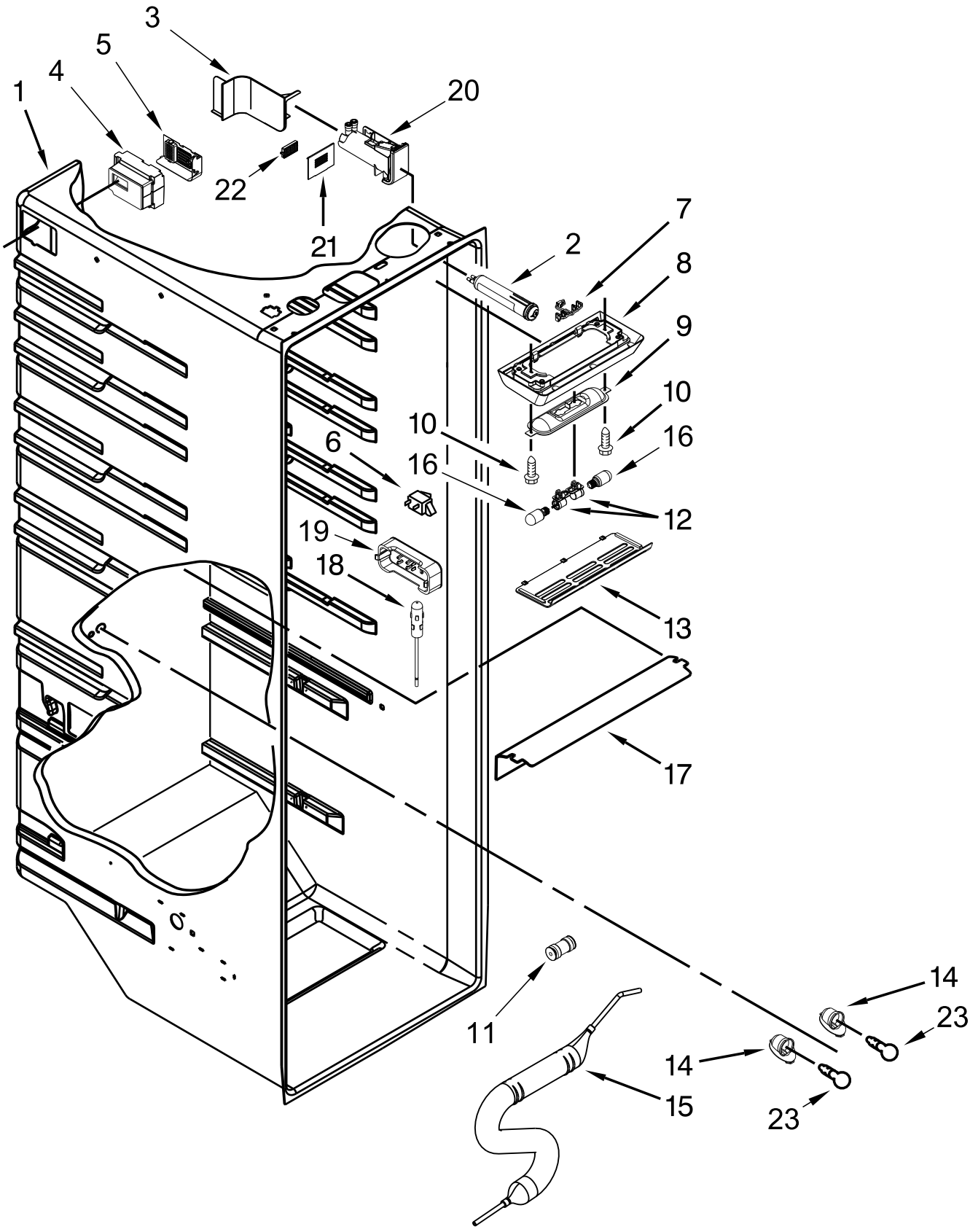
# CABINET PARTS



# CABINET PARTS

| <u>Illus. No.</u> | <u>Part No.</u> | <u>Description</u>        | <u>Illus. No.</u> | <u>Part No.</u> | <u>Description</u>                                    | <u>Illus. No.</u> | <u>Part No.</u> | <u>Description</u>               |
|-------------------|-----------------|---------------------------|-------------------|-----------------|---|-------------------|-----------------|----------------------------------|
| 1                 |                 | Literature Parts          | 15                |                 | Hinge, Bottom (Freezer)                               | 25                | W10001250       | Screw                            |
|                   | W10853485       | Use and Care Guide        |                   | W11088194       | Grey  | 26                | W10279882       | Tube, Filter Inlet               |
|                   | W10670787       | Tech Sheet                |                   |                 |   | 27                | W10279884       | Tube, Filter Outlet              |
|                   | W10922029       | Energy Guide              | 16                |                 | Hinge, Bottom (Refrigerator - Also includes Door Cam) | 28                | W10370680       | Fitting, Drain                   |
| 2                 | 2150304         | Roller                    |                   | W11084346       | Gray  | 29                | 12957702        | Lid, HV Box                      |
| 3                 | W10297485       | Screw                     |                   |                 |   | 30                | W10887255       | Control, Electronic              |
| 4                 | 12477102        | Roller                    | 17                |                 | Closer, Door (Refrigerator)                           | 31                |                 | Cabinet (Not A Serviceable Part) |
| 5                 | 12477202        | Axle, Roller              |                   | W10738911       | Grey  | 32                | W10247993       | Box, Control                     |
| 6                 | 981125          | Rivet, Roller             |                   | W10141645       | Screw   | 33                | W10691732       | Tube, Water                      |
| 7                 | W10379525       | Tube, Drain               | 18                | 549193          | Clamp, Power Cord                                     | 34                | W10341320       | Assembly, Dual Water Valve       |
| 8                 | W10900758       | Bracket, Foot             | 19                |                 |   | 35                | W10237915       | Bracket, Water Valve             |
| 9                 | W10141622       | Brake, Roller             | 20                | W10257238       | Cover, Unit   | 36                | W10141625       | Screw                            |
| 10                | W10308751       | Screw (Black)             | 21                |                 | Filler, Wrapper                                       | 37                | W11175632       | Locking Ring (1/4)               |
| 11                | W10498992       | Valve, Inlet              |                   | 12587703AP      | Grey  |                   | W11175631       | Locking Ring (5/16)              |
| 12                |                 | Hinge, Top (Freezer)      | 22                |                 | Grille  |                   |                 |                                  |
|                   | W10901054       | Gray                      |                   | W10713153       | Grey  |                   |                 |                                  |
| 13                |                 | Hinge, Top (Refrigerator) | 23                | W10142234       | Screw   |                   |                 |                                  |
|                   | W10901049       | Gray                      | 24                |                 | Closer, Door (Freezer)                                |                   |                 |                                  |
| 14                | W10308489       | Screw (Grey)              |                   | W10770893       | Grey  |                   |                 |                                  |

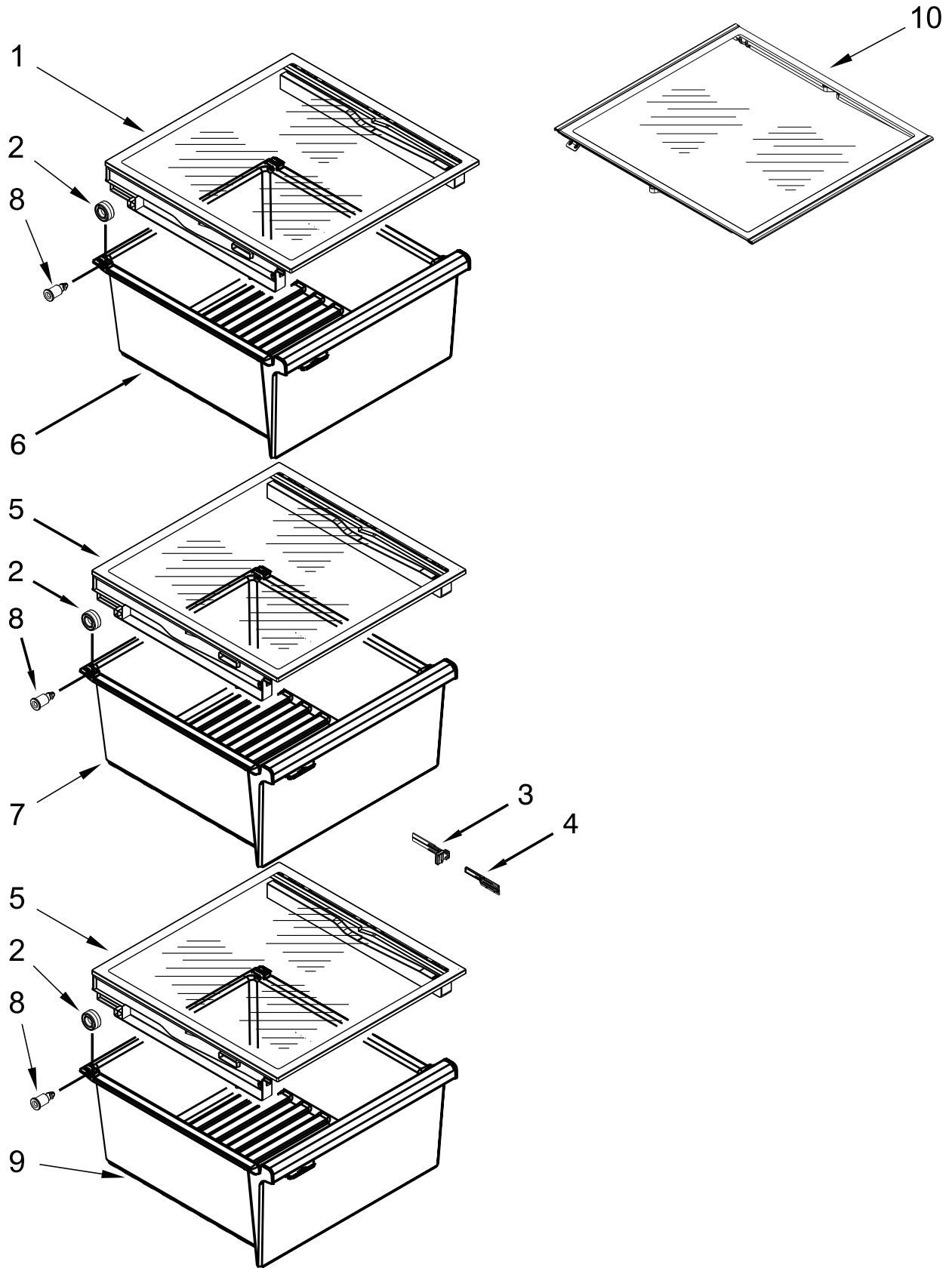
# REFRIGERATOR LINER PARTS



# REFRIGERATOR LINER PARTS

| <u>Illus.</u><br><u>No.</u> | <u>Part No.</u> | <u>Description</u>             | <u>Illus.</u><br><u>No.</u> | <u>Part No.</u> | <u>Description</u>    | <u>Illus.</u><br><u>No.</u> | <u>Part No.</u> | <u>Description</u> |
|-----------------------------|-----------------|--------------------------------|-----------------------------|-----------------|-----------------------|-----------------------------|-----------------|--------------------|
| 1                           |                 | Liner (Not A Serviceable Part) | 10                          | W10141632       | Screw                 | 21                          | W10457603       | Cover, Air Filter  |
| 2                           | W10569758       | Filter, Water                  | 11                          | W10271543       | Connector, Water Tube | 22                          | W10315189       | Filter, Air        |
| 3                           | W10300482       | Cover, Water Filter            | 12                          | W10440814       | Socket, Light         | 23                          | W10805744       | Lamp, LED          |
| 4                           | W11175955       | Assembly, Air Diffuser         | 13                          | W10280420       | Lens, Top Light       |                             |                 |                    |
| 5                           | W10457601       | Cover, Air Diffuser            | 14                          | 2162085         | Socket, Light         |                             |                 |                    |
| 6                           | W10656773       | Switch, Light                  | 15                          | W10366790       | Reservoir             |                             |                 |                    |
| 7                           | W10253300       | Assembly, Top Light Wire       | 16                          | W10574850       | Lamp, LED             |                             |                 |                    |
| 8                           | W10280178       | Trim, Light                    | 17                          | W10269099       | Lens, Light           |                             |                 |                    |
| 9                           | 2223680         | Shield, Heat                   | 18                          | W10280385       | Thermistor            |                             |                 |                    |
|                             |                 |                                | 19                          | W10425252       | Cover, Thermistor     |                             |                 |                    |
|                             |                 |                                | 20                          | W10394053       | Housing, Water Filter |                             |                 |                    |

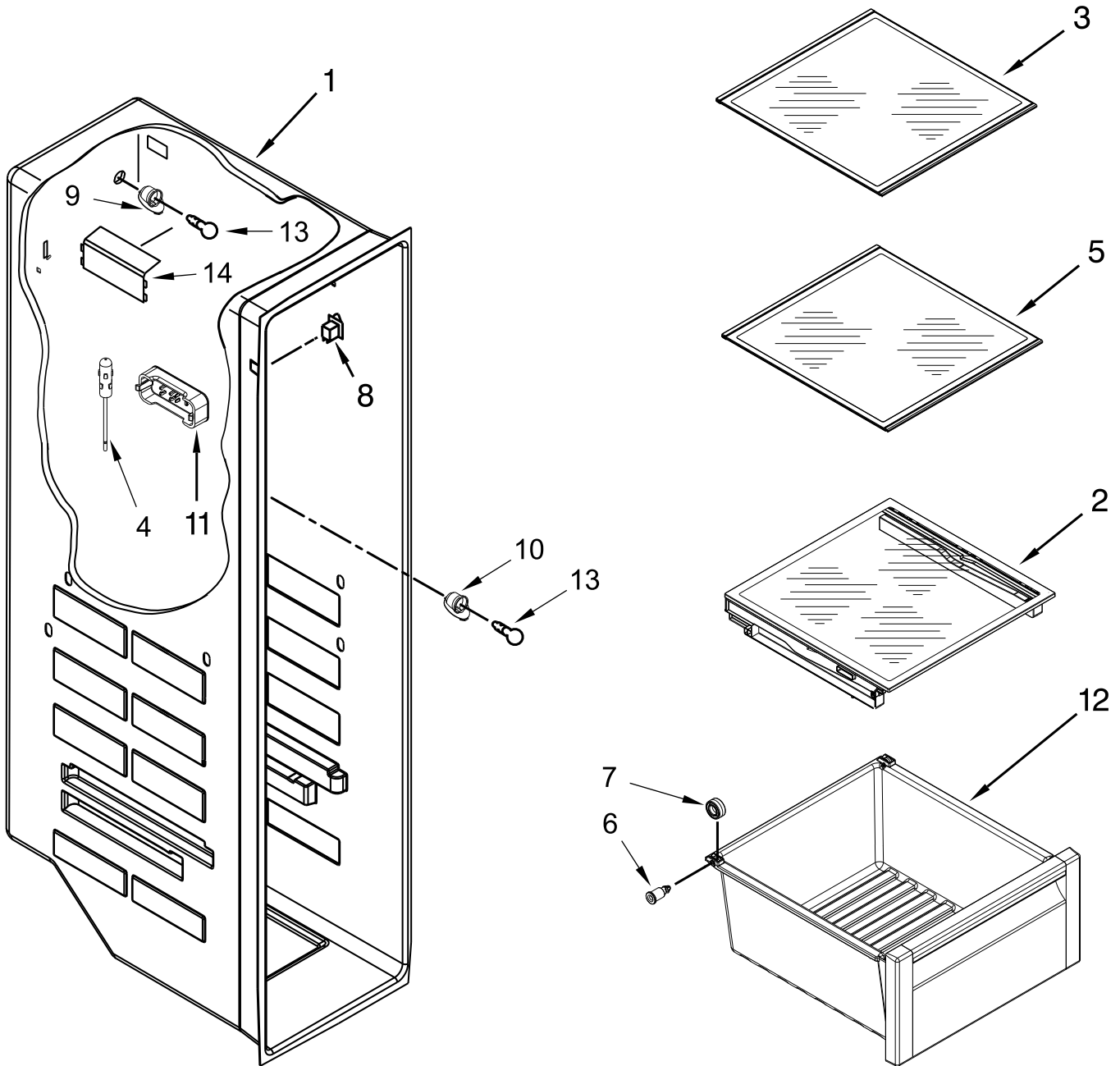
# REFRIGERATOR SHELF PARTS



# REFRIGERATOR SHELF PARTS

| <u>Illus.</u><br><u>No.</u> | <u>Part No.</u> | <u>Description</u> | <u>Illus.</u><br><u>No.</u> | <u>Part No.</u> | <u>Description</u> | <u>Illus.</u><br><u>No.</u> | <u>Part No.</u> | <u>Description</u> |
|-----------------------------|-----------------|--------------------|-----------------------------|-----------------|--------------------|-----------------------------|-----------------|--------------------|
| 1                           | W10362169       | Shelf, Snack Pan   | 5                           | W10362170       | Cover, Assembly    | 9                           | W10839857       | Pan, Meat          |
| 2                           | W10628713       | Roller, Pan        | 6                           | W10839799       | Pan, Snack         | 10                          | W10885865       | Shelf Assembly     |
| 3                           | W10282883       | Slide, Humidity    | 7                           | W10839854       | Pan, Crisper       |                             |                 |                    |
| 4                           | W10282880       | Housing, Humidity  | 8                           | W10628712       | Axle, Roller       |                             |                 |                    |

# FREEZER LINER PARTS

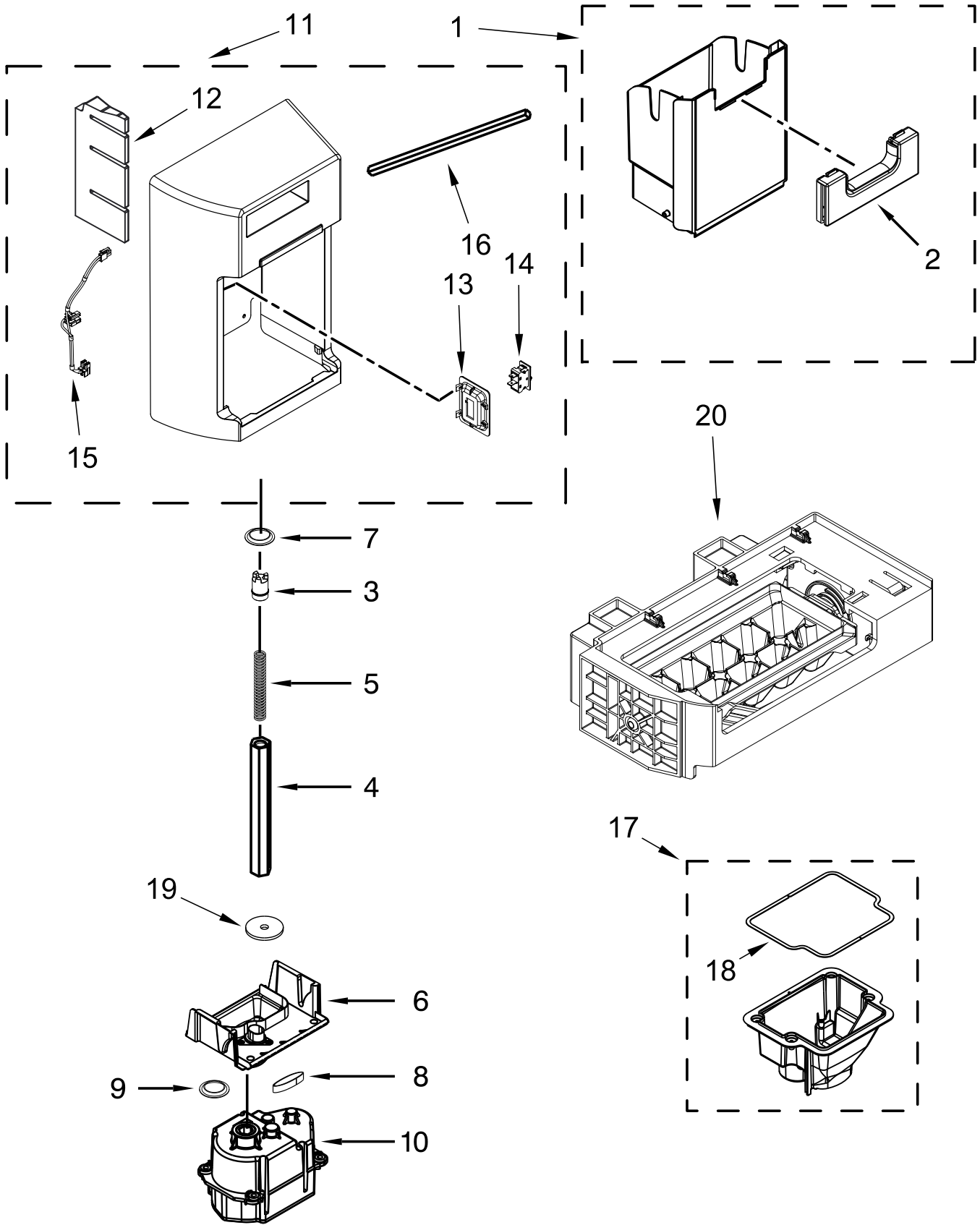




# FREEZER LINER PARTS

| <u>Illus.</u><br><u>No.</u> | <u>Part No.</u> | <u>Description</u>             | <u>Illus.</u><br><u>No.</u> | <u>Part No.</u> | <u>Description</u>    | <u>Illus.</u><br><u>No.</u> | <u>Part No.</u> | <u>Description</u> |
|-----------------------------|-----------------|--------------------------------|-----------------------------|-----------------|-----------------------|-----------------------------|-----------------|--------------------|
| 1                           |                 | Liner (Not A Serviceable Part) | 5                           | W10675773       | Shelf Assembly, Lower | 10                          | 2155597         | Socket, Light      |
| 2                           | W10644644       | Cover Assembly                 | 6                           | W10628712       | Axle, Roller          | 11                          | W10425252       | Cover, Thermistor  |
| 3                           | W10675772       | Shelf Assembly, Upper          | 7                           | W10628713       | Roller, Pan           | 12                          | W10839878       | Bin, Freezer       |
| 4                           | W10280386       | Thermistor                     | 8                           | W10656771       | Switch, Rocker Arm    | 13                          | W10820003       | Lamp, LED          |
|                             |                 |                                | 9                           | 2162085         | Socket, Light         | 14                          | W10269101       | Lens               |

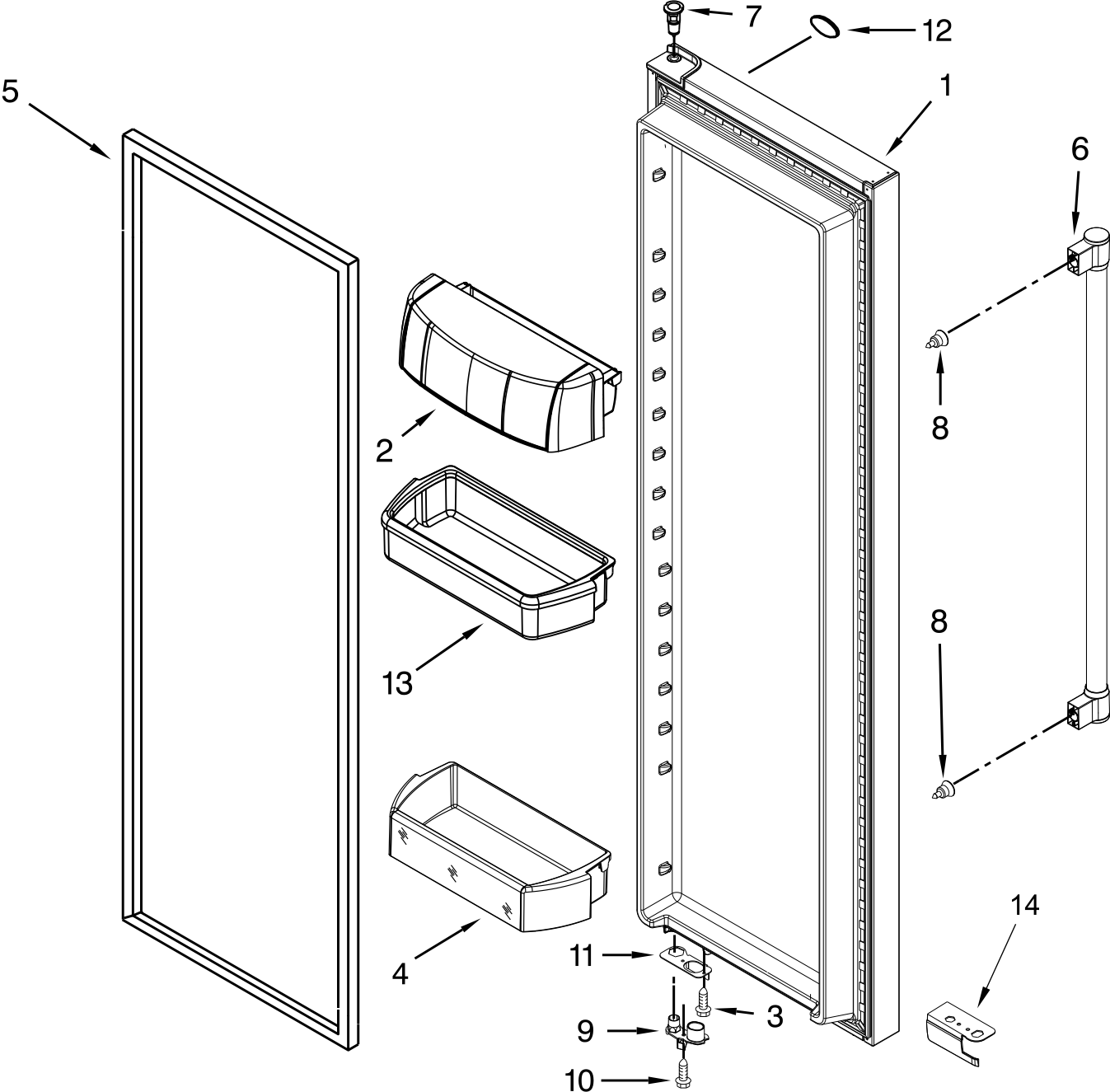
# MOTOR AND ICE MAKER PARTS



# MOTOR AND ICE MAKER PARTS

| <u>Illus. No.</u> | <u>Part No.</u> | <u>Description</u>       | <u>Illus. No.</u> | <u>Part No.</u> | <u>Description</u>         | <u>Illus. No.</u> | <u>Part No.</u> | <u>Description</u>           |
|-------------------|-----------------|--------------------------|-------------------|-----------------|----------------------------|-------------------|-----------------|------------------------------|
| 1                 | W10781441       | Assembly, Ice Bin        | 7                 | 2198628         | Seal                       | 14                | W10666871       | Rocker, Switch               |
| 2                 | W10693542       | Assembly, Latch          | 8                 | W10291905       | Gasket                     | 15                | W10646076       | Assembly, Wire Jumper Switch |
| 3                 | 2220458         | Coupling, Bottom         | 9                 | 2212370         | Washer                     | 16                | W10400435       | Gasket, Foam                 |
| 4                 | W10258544       | Shaft, Drive             | 10                | W11117906       | Motor, Dispenser           | 17                | W10771442       | Assembly, Motor Box          |
| 5                 | W10754509       | Spring, Coupling         | 11                | W10669473       | Cover, Container           | 18                | W10166854       | Gasket                       |
| 6                 | W10293212       | Assembly, Mounting Plate | 12                | W10749467       | Filler, EPS Icemaker Cover | 19                | 2305382         | Boot, Rubber                 |
|                   |                 |                          | 13                | W10691248       | Plate, Switch              | 20                | W11130444       | Assembly, Ice Maker          |

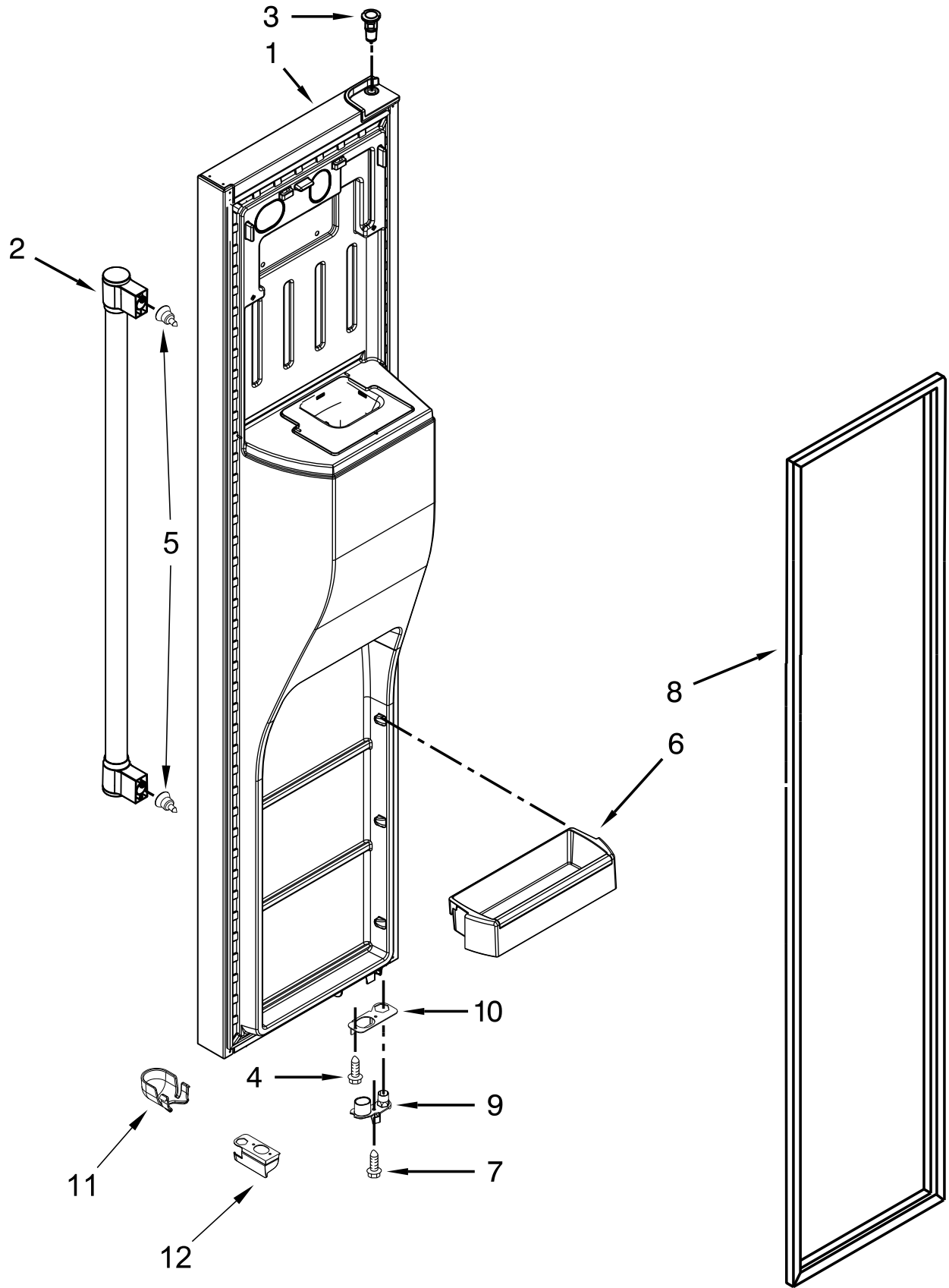
# REFRIGERATOR DOOR PARTS



# REFRIGERATOR DOOR PARTS

| <u>Illus.</u><br><u>No.</u> | <u>Part No.</u> | <u>Description</u>                     | <u>Illus.</u><br><u>No.</u> | <u>Part No.</u> | <u>Description</u>        | <u>Illus.</u><br><u>No.</u> | <u>Part No.</u> | <u>Description</u> |
|-----------------------------|-----------------|--|-----------------------------|-----------------|---------------------------|-----------------------------|-----------------|--------------------|
| 1                           |                 | Refrigerator Door<br>(Includes Item 5) | 6                           |                 | Handle                    | 13                          | W10672337       | Door Bin, Shallow  |
|                             | W10839084       | Stainless                              |                             | W10838130       | Stainless                 | 14                          |                 | Cover, Door Stop   |
| 2                           | W10324760       | Assembly, Utility<br>Compartment       | 7                           | 2200086         | Thimble, Top              |                             | W10789147       | Grey               |
| 3                           | W10296816       | Screw                                  | 8                           | W10460893       | Screw                     |                             |                 |                    |
| 4                           | W10672344       | Door Bin, Gallon                       | 9                           |                 | Door Closer, Upper<br>Cam |                             |                 |                    |
| 5                           |                 | Door Gasket,<br>Magnetic               |                             | W10257203       | Grey                      |                             |                 |                    |
|                             | W10249916       | Grey                                   | 10                          | W10296804       | Screw                     |                             |                 |                    |
|                             |                 |  | 11                          | W10888898       | Bracket, Door Stop        |                             |                 |                    |
|                             |                 |  | 12                          | W10612926       | Badge                     |                             |                 |                    |

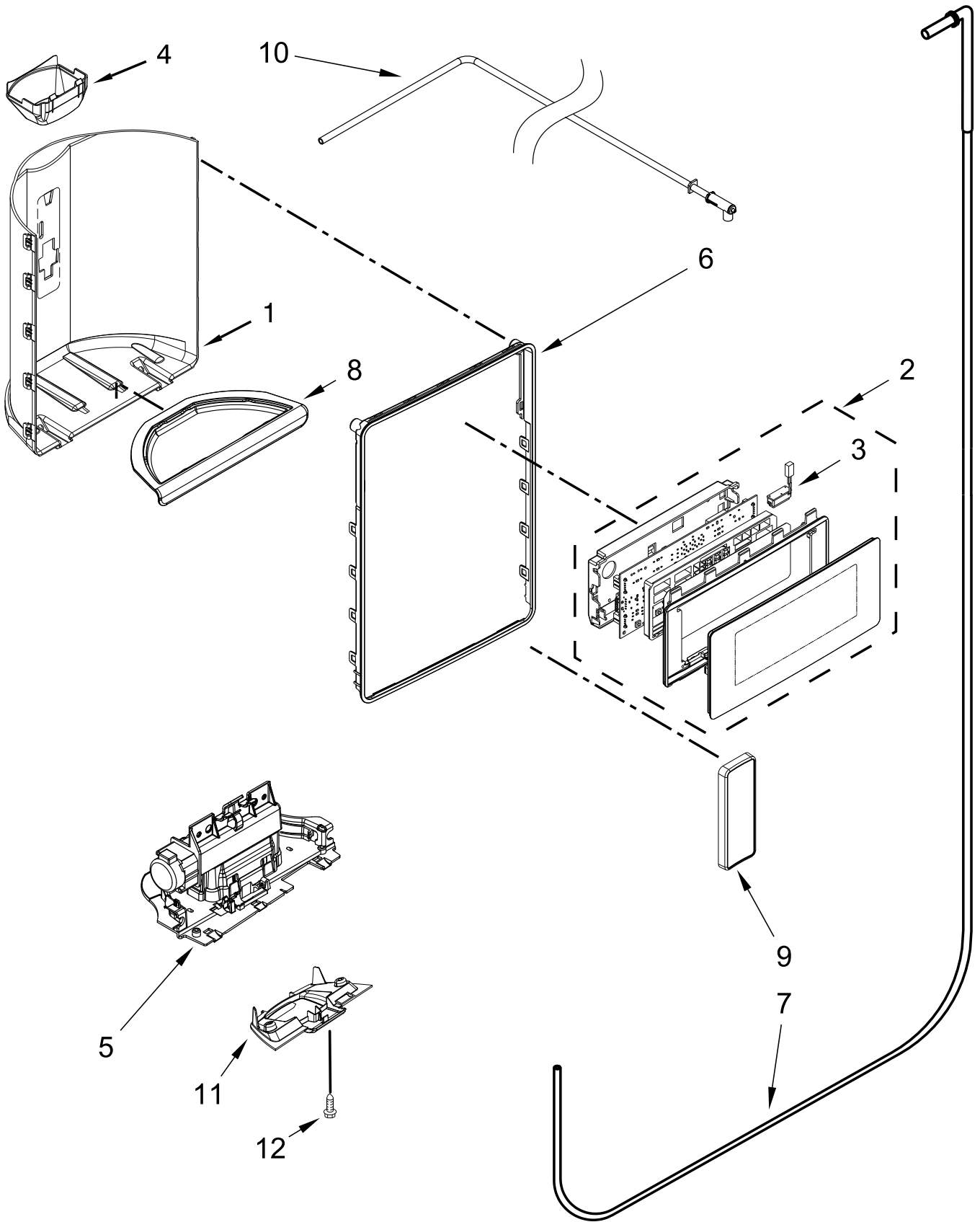
# FREEZER DOOR PARTS



# FREEZER DOOR PARTS

| <u>Illus.</u><br><u>No.</u> | <u>Part No.</u> | <u>Description</u>  | <u>Illus.</u><br><u>No.</u> | <u>Part No.</u> | <u>Description</u>        | <u>Illus.</u><br><u>No.</u> | <u>Part No.</u> | <u>Description</u> |
|-----------------------------|-----------------|---|-----------------------------|-----------------|---------------------------|-----------------------------|-----------------|--------------------|
| 1                           |                 | Door, Freezer<br>(Includes Item 8 And<br>Dispenser Front Parts) | 5                           | W10460893       | Screw                     | 10                          | W10247907       | Bracket, Door Stop |
|                             | W10839911       | Stainless   | 6                           | W10646629       | Door Bin                  | 11                          | W10323148       | Cover, Wire        |
| 2                           |                 | Handle  | 7                           | W10296816       | Screw                     | 12                          |                 | Cover, Door Stop   |
|                             | W10838130       | Stainless   | 8                           |                 | Gasket, Door              |                             | W10632062       | Grey               |
| 3                           | 2200086         | Thimble, Top  |                             | W10249917       | Grey                      |                             |                 |                    |
| 4                           | W10296804       | Screw   | 9                           |                 | Closer, Upper Cam<br>Door |                             |                 |                    |
|                             |                 |   |                             | W10257206       | Grey                      |                             |                 |                    |

# DISPENSER PARTS

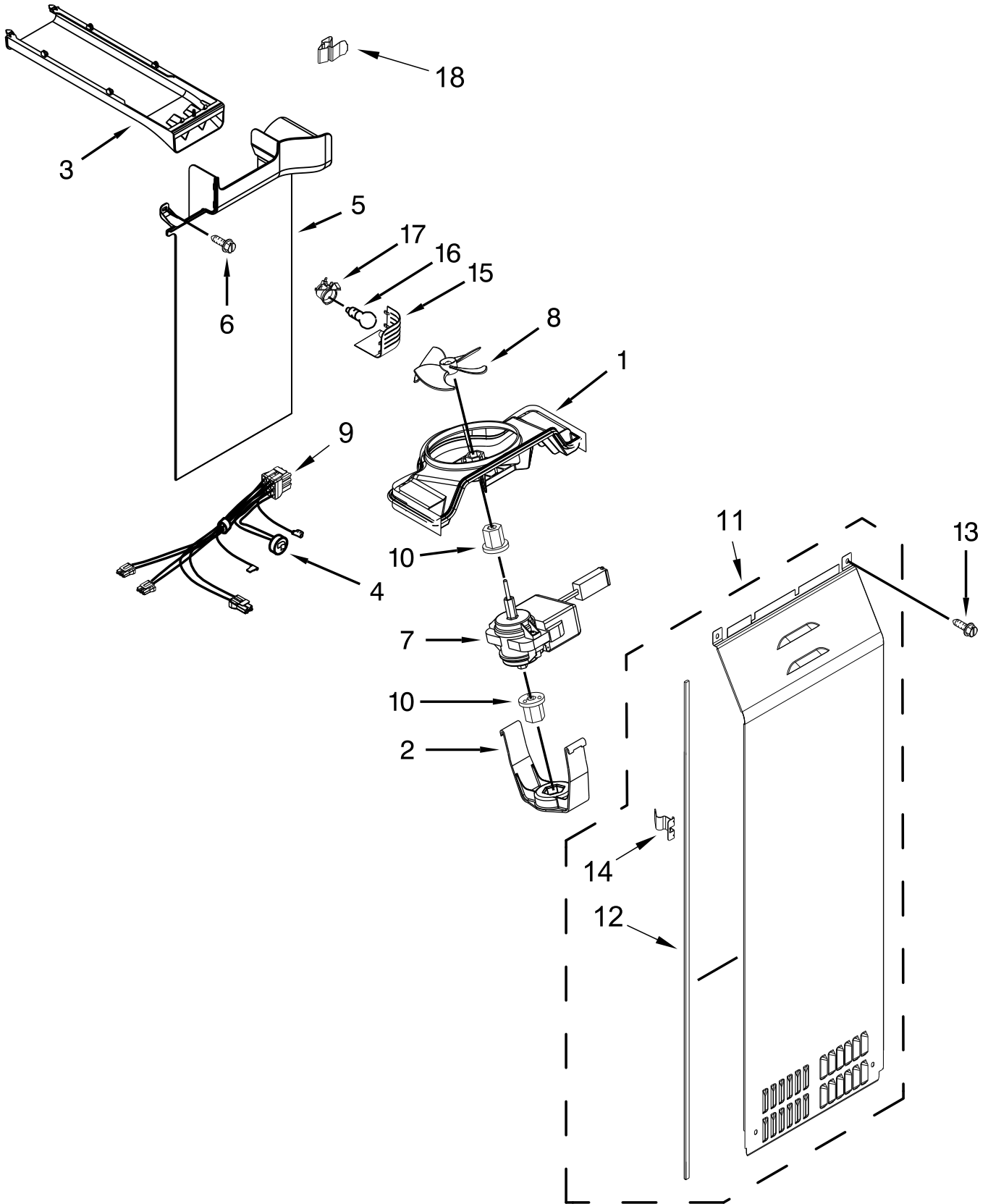




# DISPENSER PARTS

| <u>Illus. No.</u> | <u>Part No.</u> | <u>Description</u>                                   | <u>Illus. No.</u> | <u>Part No.</u> | <u>Description</u>  | <u>Illus. No.</u> | <u>Part No.</u> | <u>Description</u>        |
|-------------------|-----------------|--|-------------------|-----------------|---------------------|-------------------|-----------------|---------------------------|
| 1                 |                 | Housing, Dispenser                                   | 4                 | W10435760       | Guide, Ice          | 9                 |                 | Pad, Ice & Water          |
|                   | W10520869       | Grey   | 5                 | W10781995       | Assembly, Seperator |                   | W10348739       | Silver                    |
| 2                 |                 | Electronic Control Assembly (Includes Light Feature) | 6                 |                 | Trim Ring           | 10                | W10294737       | Tube, Water (With Spigot) |
|                   | W10841980       | Silver   |                   | W10587909       | Grey                | 11                | W10549235       | Cover, Seperator          |
| 3                 | W10470750       | Assembly, LED  | 7                 | W10691730       | Tube, Water         | 12                | 3400065         | Screw (Stainless)         |
|                   |                 |  | 8                 |                 | Grate, Drip Tray    |                   |                 |                           |
|                   |                 |  |                   | W10410105       | Grey                |                   |                 |                           |

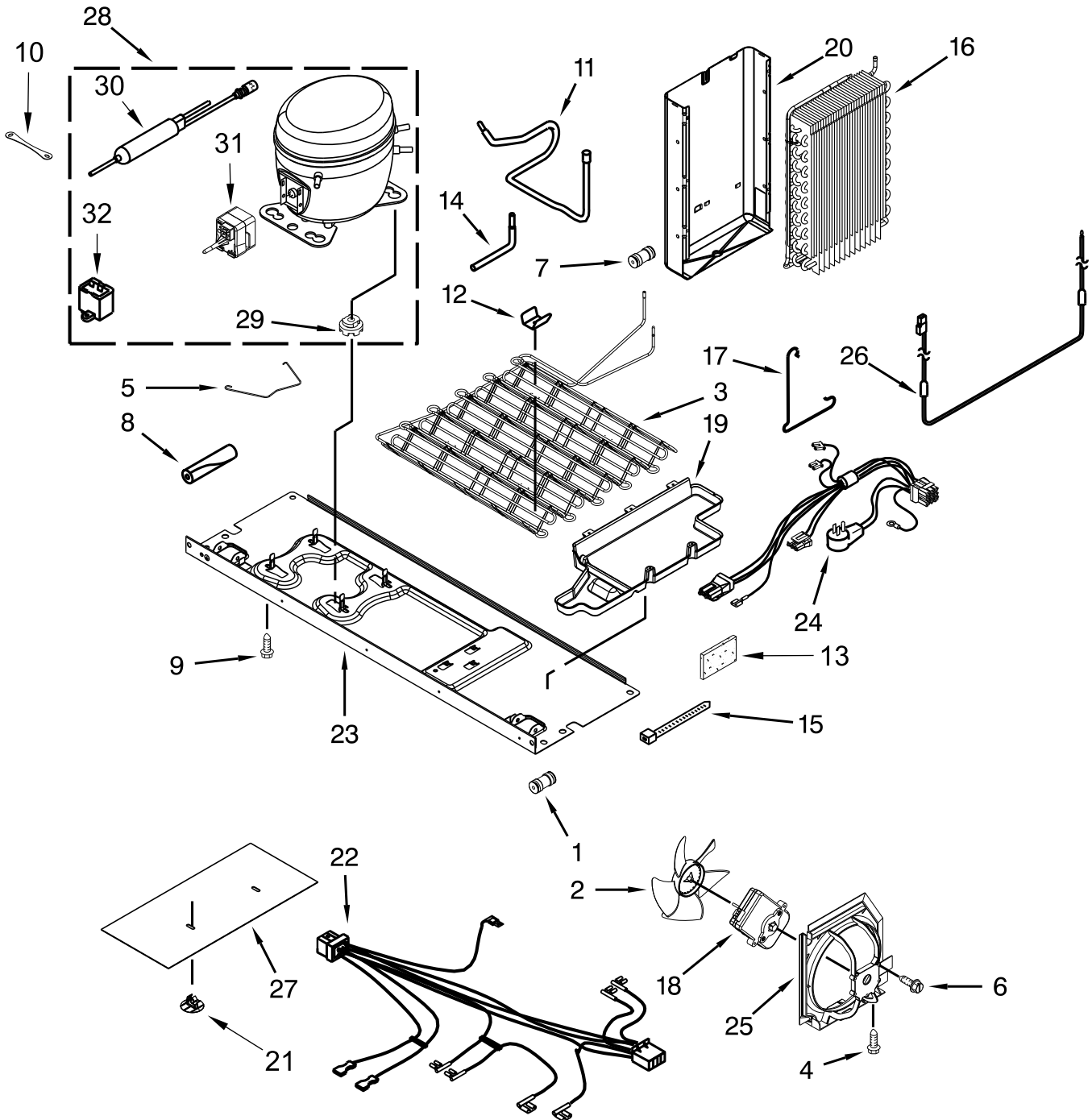
# AIR FLOW PARTS



# AIR FLOW PARTS

| <u>Illus.</u><br><u>No.</u> | <u>Part No.</u> | <u>Description</u>              | <u>Illus.</u><br><u>No.</u> | <u>Part No.</u> | <u>Description</u>  | <u>Illus.</u><br><u>No.</u> | <u>Part No.</u> | <u>Description</u>     |
|-----------------------------|-----------------|---------------------------------|-----------------------------|-----------------|---|-----------------------------|-----------------|------------------------|
| 1                           | W10251462       | Scroll, Fan                     | 8                           | 2169142         | Blade, Fan  | 14                          | W10369602       | Clip, Evaporator Cover |
| 2                           | W10260421       | Retainer, Fan Motor             | 9                           | W10242409       | Assembly, Evaporator Fan Wire (Includes Bi-Metal Defrost) | 15                          | W10260382       | Cover, Light           |
| 3                           | W10260380       | Duct, Upper Air                 |                             |                 |   | 16                          | W10820003       | Lamp, LED              |
| 4                           |                 | Bi-Metal Defrost (Not Serviced) | 10                          | 2176759         | Grommet, Motor  | 17                          | 2162085         | Socket, Light          |
|                             |                 |                                 | 11                          | W10388268       | Cover, Evaporator   | 18                          | W10331728       | Clip, Air Duct         |
| 5                           | W10260378       | Duct, Freezer Air               | 12                          | W10240370       | Gasket, Evaporator Cover                                  |                             |                 |                        |
| 6                           | W10001260       | Screw                           |                             |                 |   |                             |                 |                        |
| 7                           | 2315549         | Motor, Fan                      | 13                          | W10142292       | Screw   |                             |                 |                        |

# UNIT PARTS



# UNIT PARTS

| <u>Illus.</u><br><u>No.</u> | <u>Part No.</u> | <u>Description</u>          | <u>Illus.</u><br><u>No.</u> | <u>Part No.</u> | <u>Description</u>                      | <u>Illus.</u><br><u>No.</u> | <u>Part No.</u> | <u>Description</u>                                   |
|-----------------------------|-----------------|-----------------------------|-----------------------------|-----------------|---|-----------------------------|-----------------|--|
| 1                           | W10271541       | Connector, Union            | 18                          | W10527155       | Motor, Condenser Fan                    | 31                          | W10197428       | Device, Combination Start (Start Relay and Overload) |
| 2                           | 2225834         | Blade, Fan                  | 19                          | W10714793       | Tray, Evaporator (Includes Gasket)      | 32                          | W10350564       | Capacitor  |
| 3                           | W10240365       | Assembly, Condenser         | 20                          | W10274575       | Shield, Heat                            |                             |                 | Following Parts Not Illustrated                      |
| 4                           | W10142255       | Screw                       | 21                          | W10815861       | Clip, Bottom Cover                      |                             |                 |  |
| 5                           | 2212996         | Strap, Bale                 | 22                          | W10670174       | Assembly, Unit Wire                     | 978025                      |                 | Valve, Access (1/4")                                 |
| 6                           | W10171469       | Screw                       | 23                          | W10680691       | Baseplate                               | 978026                      |                 | Valve, Access (5/16")                                |
| 7                           | W10277958       | Connector, Water            | 24                          | W10242407       | Cord, Power                             | 978027                      |                 | Valve, Access (3/8")                                 |
| 8                           | W10303521       | Sleeve                      | 25                          | W10251467       | Baffle, Air                             | 978029                      |                 | Valve, Access (5/8")                                 |
| 9                           | W10142287       | Screw                       | 26                          | W10495967       | Heater, Defrost                         | 978030                      |                 | Valve, Access (3/4")                                 |
| 10                          | 2263990         | Tie, Wire                   | 27                          | W10284726       | Cover, Unit Bottom                      | 876764                      |                 | Valve, Access (3/16")                                |
| 11                          | W10219381       | Tube, Suction               | 28                          | W10391109       | Compressor (Also Order 876765 Tube Kit) |                             |                 | REFRIGERANT CHARGE                                   |
| 12                          | W10248621       | Clip, Condenser             |                             |                 |   |                             |                 | 5.0 oz. (R-134A)                                     |
| 13                          | 2169104         | Insulation, Sound Deadening | 29                          | 2183042         | Grommet                                 |                             |                 |  |
| 14                          | 2325479         | Tube, Process               | 30                          | W10771114       | Drier                                   |                             |                 |  |
| 15                          | 2205813         | Tie, Wire                   |                             |                 |   |                             |                 |  |
| 16                          | 2188822         | Evaporator                  |                             |                 |   |                             |                 |  |
| 17                          | 2161324         | Clip, Defrost Heater        |                             |                 |   |                             |                 |  |

# OPTIONAL PARTS (NOT INCLUDED)

## PAIN, PRESSURIZED SPRAY (12 OZ.)

| <u>Illus. No.</u> | <u>Part No.</u> | <u>Description</u> |
|-------------------|-----------------|--------------------|
|                   | 350942          | White Primer       |
|                   | 350939          | Enamel, Black      |
|                   | 350930          | White              |
|                   | 4392901         | Biscuit and Bisque |
|                   | 8171357         | Graphite           |
|                   | W10134625       | Apollo Grey        |

## PAIN, TOUCH-UP (1/2OZ.)

| <u>Illus. No.</u> | <u>Part No.</u> | <u>Description</u> |
|-------------------|-----------------|--------------------|
|                   | 72017           | White              |
|                   | 72032           | Black              |
|                   | 4392899         | Biscuit and Bisque |
|                   | 80051           | Graphite           |

## PAIN, BULK (1 QT.)

| <u>Illus. No.</u> | <u>Part No.</u> | <u>Description</u> |
|-------------------|-----------------|--------------------|
|                   | 799344          | White (Uncut)      |
|                   | 4392900         | Biscuit/Bisque     |
|                   | 8171358         | Graphite           |

## MISCELLANEOUS

| <u>Illus. No.</u> | <u>Part No.</u> | <u>Description</u>              |
|-------------------|-----------------|---------------------------------|
|                   | W10300794       | Kit, Handle Installation        |
|                   | 212643          | Sealer, Gum (4 Feet)            |
|                   | 479502          | Tape, Vinyl (3/4 x 108")        |
|                   | 505587          | Sealer, Mastic (1 Qt)           |
|                   | 503695          | Cork, Sealer                    |
|                   | 542638          | Grease, Silicone (1/2 Oz.)      |
|                   | 542639          | Cement, Alumilastic (1 1/4 Oz.) |
|                   | 833938          | Kit, Terminal Connector         |
|                   | 4318168         | Sealer                          |
|                   | 8003RP          | Kit, Water Inlet                |

## TORX SCREW WRENCH

| <u>Illus. No.</u> | <u>Part No.</u> | <u>Description</u> |
|-------------------|-----------------|--------------------|
|                   | 1117510         | Torx Key           |