



WGT4027HW

Dimension Guide

Whirlpool® Stacked Laundry Center with 9 Wash Cycles and Autodry™



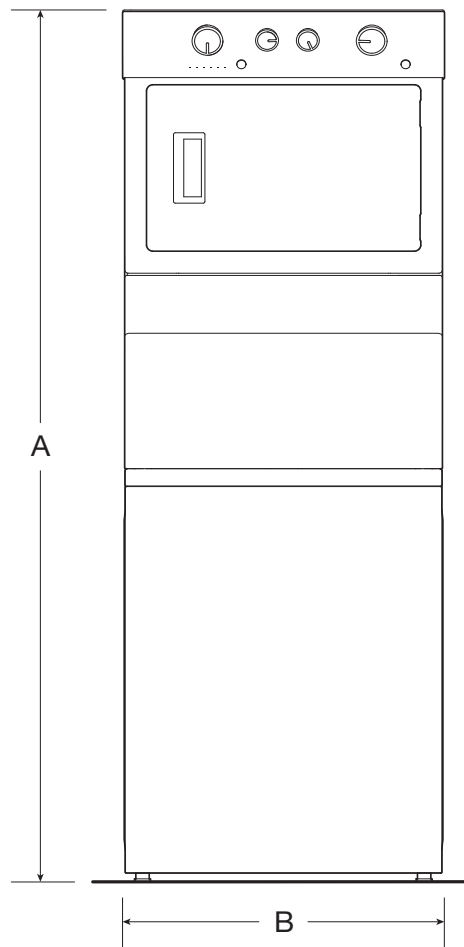
W11476229B

DETAILED PLANNING DIMENSIONS

WARNING: To reduce the risk of fire, electric shock, or injury to persons, read the IMPORTANT SAFETY INSTRUCTIONS and INSTALLATION INSTRUCTIONS, located in your appliance's Owner's Manual, before installing and operating this appliance.

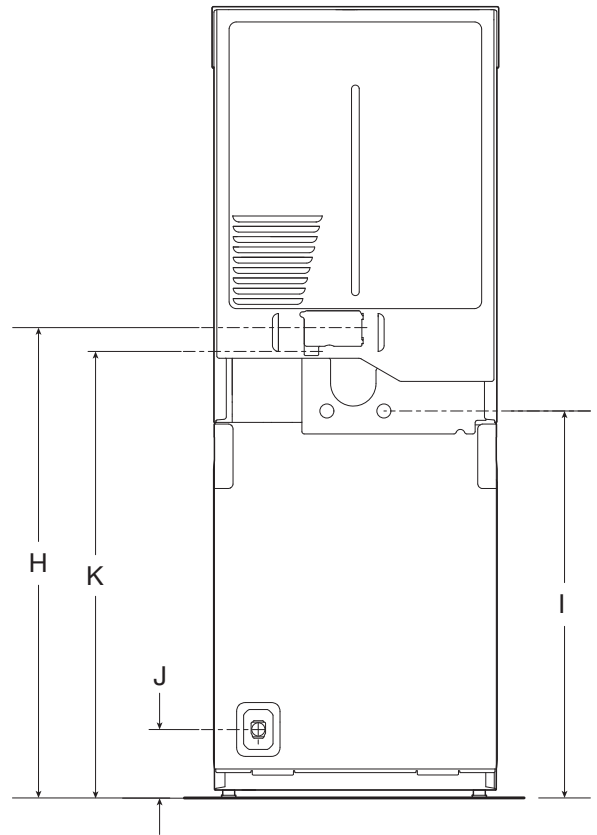
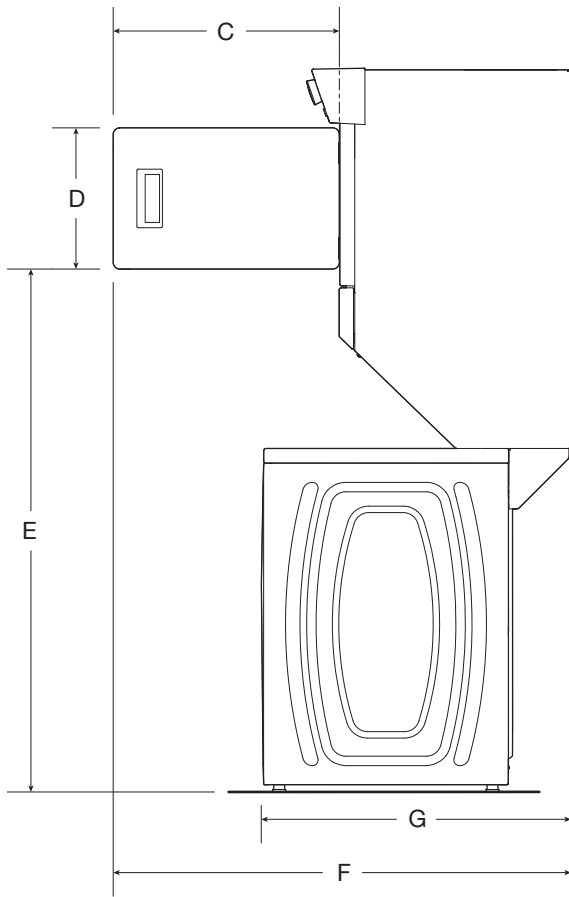
Electrical Requirements	
WGT4027HW	3.5 cu ft DOE (US) Washer Basket Capacity/ 5.0 cu ft IEC (CAN) Dryer Drum Capacity
Minimum Circuit Amperage Rating	20 A
Maximum Ampere Draw	15 A
Operating Voltage	120/240 V AC only
Operating Frequency	60 Hz

Drum Volume	
Dryer	5.9 cu ft
Washer	-



Product Dimensions					
WGT4027HW					
		in (minimum)	mm (minimum)	in (maximum)	mm (maximum)
A	Height (with feet)	75	1905	-	-
B	Product Width	27¼	692	-	-

DETAILED PLANNING DIMENSIONS



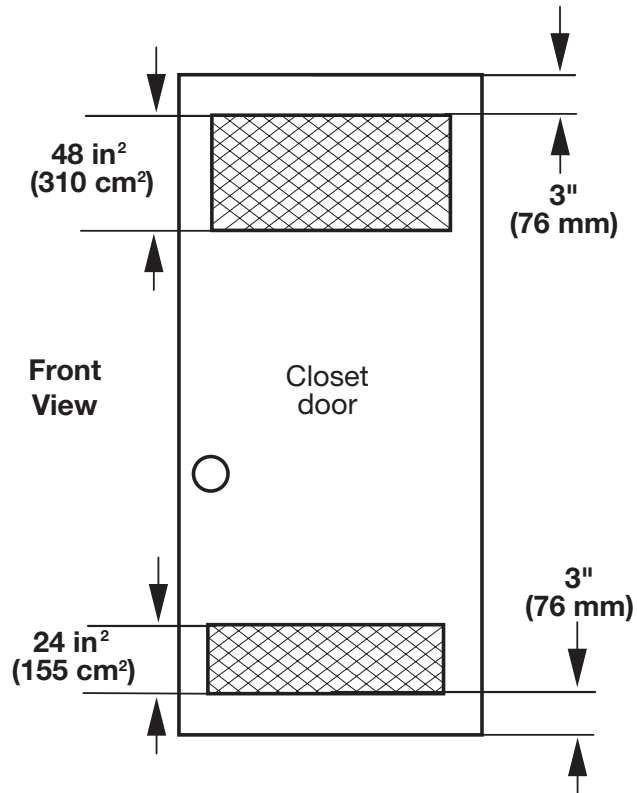
Product Dimensions

WGT4027HW

		in (minimum)	mm (minimum)	in (maximum)	mm (maximum)
C	Door Width	23 ³ / ₄	603	24	610
D	Door Height	14 ³ / ₄	375	15 ³ / ₁₆	386
E	Height to Bottom of Door	54 ¹ / ₄	1378	-	-
F	Product Depth with Dryer Door Open	47 ¹⁵ / ₁₆	1218	-	-
G	Product Depth	31 ⁷ / ₁₆	799	-	-
H	Position of Power Cord	44 ¹ / ₈	1121	45	1143
	Power Cord Length	60	1524	-	-
I	Position of Water Inlet Valves	36 ³ / ₄	934	37	940
	Drain Hose Length	-	-	-	-
	Diameter of Drain Hose	-	-	-	-
K	Gas Inlet Height	39 ¹ / ₂	1003	-	-

DETAILED PLANNING DIMENSIONS

Recessed area or closet installation



All dimensions show recommended spacing allowed, except for closet door ventilation openings which are minimum required. This washer has been tested for installation with spacing of 0" (0 mm) clearance on the sides. Consider allowing more space for ease of installation and servicing, and spacing for companion appliances and clearances for walls, doors, and floor moldings. Add spacing of 1" (25 mm) on all sides of washer to reduce noise transfer. Rear clearance minimum of 5" (125 mm). If a closet door or louvered door is installed, top and bottom air openings in door are required.

*For additional details (or information) specific to your model, refer to your Quick Start Guide.