
INSTALLATION INSTRUCTIONS AND OWNER'S MANUAL

Top Mount Refrigerator

Do Not Throw Away — Additional important safety information included.

Para las instrucciones en español, visite nuestro sitio de internet.

INSTRUCTIONS D'INSTALLATION ET MANUEL D'UTILISATION

Réfrigérateur superposé

Ne pas jeter — Autres consignes de sécurité importantes ci-jointes.

Table of Contents / Table des matières

REFRIGERATOR SAFETY	2	SÉCURITÉ DU RÉFRIGÉRATEUR	16
INSTALLATION INSTRUCTIONS	3	INSTRUCTIONS D'INSTALLATION	17
Unpack the Refrigerator	3	Déballage du réfrigérateur	17
Location Requirements	4	Exigences d'emplacement	18
Electrical Requirements	4	Spécifications électriques	18
Water Supply Requirements	5	Spécifications de l'alimentation en eau	19
Connect the Water Supply	5	Raccordement de la canalisation d'eau	19
Refrigerator Doors	6	Portes du réfrigérateur	20
Reversibility Kit Instructions	12	Instructions pour l'ensemble d'inversion du sens d'ouverture	26
Adjust the Doors	12	Ajustement des portes	26
REFRIGERATOR FEATURES	13	CARACTÉRISTIQUES DU RÉFRIGÉRATEUR	27
Refrigerator Shelves	13	Tablettes du réfrigérateur	27
Deli Drawer	13	Tiroir pour spécialités alimentaires	27
Crisper	13	Bac à légumes	28
FREEZER FEATURES	14	CARACTÉRISTIQUES DU CONGÉLATEUR	28
Freezer Shelf	14	Tablette du congélateur	28
DOOR FEATURES	15	CARACTÉRISTIQUES DE LA PORTE	29
Door Rails	15	Tringles de porte	29
Door Bins	15	Balconnets de porte	29
Utility Compartment	15	Compartiment utilitaire	29
BRAND BADGE PLACEMENT TEMPLATE	BACK COVER	GABARIT DE POSITIONNEMENT DE L'INSIGNE DE LA MARQUE	COUVERTURE ARRIÈRE

REFRIGERATOR SAFETY

Your safety and the safety of others are very important.

We have provided many important safety messages in this manual and on your appliance. Always read and obey all safety messages.



This is the safety alert symbol.

This symbol alerts you to potential hazards that can kill or hurt you and others.

All safety messages will follow the safety alert symbol and either the word "DANGER" or "WARNING."

These words mean:

⚠ DANGER

You can be killed or seriously injured if you don't immediately follow instructions.

⚠ WARNING

You can be killed or seriously injured if you don't follow instructions.

All safety messages will tell you what the potential hazard is, tell you how to reduce the chance of injury, and tell you what can happen if the instructions are not followed.

IMPORTANT SAFETY INSTRUCTIONS

WARNING: To reduce the risk of fire, electric shock, or injury to persons when using the refrigerator, follow basic precautions, including the following:

- Plug into a grounded 3 prong outlet.
- Do not remove ground prong.
- Do not use an adapter.
- Do not use an extension cord.
- Disconnect power before servicing.
- Replace all parts and panels before operating.
- Remove doors from your old refrigerator.
- Use nonflammable cleaner.
- Keep flammable materials and vapors, such as gasoline, away from refrigerator.
- Use two or more people to move and install refrigerator.
- Disconnect power before installing ice maker (on ice maker kit ready models only).

SAVE THESE INSTRUCTIONS

State of California Proposition 65 Warnings:

WARNING: This product contains one or more chemicals known to the State of California to cause cancer.

WARNING: This product contains one or more chemicals known to the State of California to cause birth defects or other reproductive harm.

Proper Disposal of Your Old Refrigerator

! WARNING

Suffocation Hazard

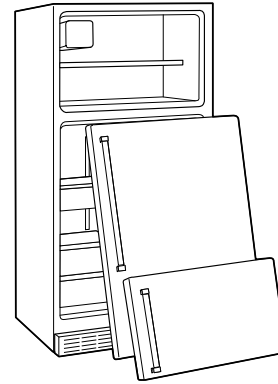
Remove doors from your old refrigerator.

Failure to do so can result in death or brain damage.

IMPORTANT: Child entrapment and suffocation are not problems of the past. Junked or abandoned refrigerators are still dangerous – even if they will sit for “just a few days.” If you are getting rid of your old refrigerator, please follow these instructions to help prevent accidents.

Before You Throw Away Your Old Refrigerator or Freezer:

- Take off the doors.
- Leave the shelves in place so that children may not easily climb inside.



Important information to know about disposal of refrigerants:

Dispose of refrigerator in accordance with Federal and Local regulations. Refrigerants must be evacuated by a licensed, EPA certified refrigerant technician in accordance with established procedures.

INSTALLATION INSTRUCTIONS

Unpack the Refrigerator

! WARNING

Excessive Weight Hazard

Use two or more people to move and install refrigerator.

Failure to do so can result in back or other injury.

When Moving Your Refrigerator:

Your refrigerator is heavy. When moving the refrigerator for cleaning or service, be sure to cover the floor with cardboard or hardboard to avoid floor damage. Always pull the refrigerator straight out when moving it. Do not wiggle or “walk” the refrigerator when trying to move it, as floor damage could occur.

Remove the Packaging

IMPORTANT: Do not remove the white foam air return insert from behind the control panel on the ceiling of the refrigerator. If the insert is removed, ice may migrate down from the freezer and cause icicles to form.

- Remove tape and glue residue from surfaces before turning on the refrigerator. Rub a small amount of liquid dish soap over the adhesive with your fingers. Rinse with warm water and dry with a soft cloth.
- Do not use sharp instruments, rubbing alcohol, flammable fluids, or abrasive cleaners to remove tape or glue. These products can damage the surface of your refrigerator. For more information see “Refrigerator Safety.”

Clean Before Using

After you remove all of the package materials, clean the inside of your refrigerator before using it. See the cleaning instructions in “Refrigerator Care.”

Important information to know about glass shelves and covers:

Do not clean glass shelves or covers with warm water when they are cold. Shelves and covers may break if exposed to sudden temperature changes or impact, such as bumping. Tempered glass is designed to shatter into many small, pebble-size pieces. This is normal. Glass shelves and covers are heavy. Use both hands when removing them to avoid dropping.

Location Requirements

⚠ WARNING



Explosion Hazard

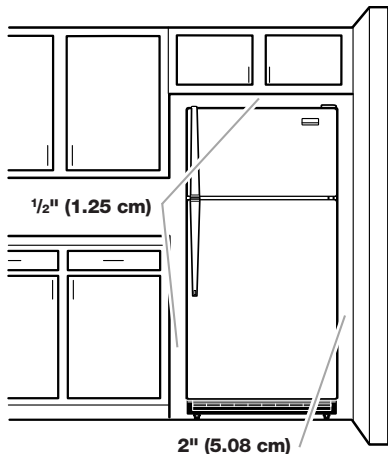
Keep flammable materials and vapors, such as gasoline, away from refrigerator.

Failure to do so can result in death, explosion, or fire.

IMPORTANT: This refrigerator is designed for indoor household use only.

To ensure proper ventilation for your refrigerator, allow for ½" (1.25 cm) of space on each side and at the top. Allow for 1" (2.54 cm) of space behind the refrigerator. If your refrigerator has an ice maker, allow extra space at the back for the water line connections. When installing your refrigerator next to a fixed wall, leave a 2" (5.08 cm) minimum space on the hinge side (some models require more) to allow the door to swing open.

NOTE: This refrigerator is intended for use in a location where the temperature ranges from a minimum of 55°F (13°C) to a maximum of 110°F (43°C). The preferred room temperature range for optimum performance, which reduces electricity usage and provides superior cooling, is between 60°F (15°C) and 90°F (32°C). It is recommended that you do not install the refrigerator near a heat source, such as an oven or radiator.



Electrical Requirements

⚠ WARNING



Electrical Shock Hazard

Plug into a grounded 3 prong outlet.

Do not remove ground prong.

Do not use an adapter.

Do not use an extension cord.

Failure to follow these instructions can result in death, fire, or electrical shock.

Before you move your refrigerator into its final location, it is important to make sure you have the proper electrical connection.

Recommended Grounding Method

A 115 volt, 60 Hz, AC only, 15- or 20-amp fused, grounded electrical supply is required. It is recommended that a separate circuit serving only your refrigerator be provided. Use an outlet that cannot be turned off by a switch. Do not use an extension cord.

NOTE: Before performing any type of installation or cleaning, or removing a light bulb, turn cooling off or turn the control (Thermostat, Refrigerator or Freezer Control depending on the model) to OFF, and then disconnect the refrigerator from the electrical source. When you are finished, reconnect the refrigerator to the electrical source and turn cooling on or reset the control (Thermostat, Refrigerator or Freezer Control depending on the model) to the desired setting. See "Using the Controls" in the User Instructions, User Guide, or Use & Care Guide.

Water Supply Requirements

Gather the required tools and parts before starting installation. Read and follow the instructions provided with any tools listed here.

Tools Needed:

- Flat-blade screwdriver
- 1/4" Nut driver
- 7/16" and 1/2" Open-end or two adjustable wrenches
- 1/4" Drill bit
- Cordless drill

NOTE: Your refrigerator dealer has a kit available with a 1/4" (6.35 mm) saddle-type shutoff valve, a union, and copper tubing. Before purchasing, make sure a saddle-type valve complies with your local plumbing codes. Do not use a piercing-type or 3/16" (4.76 mm) saddle valve which reduces water flow and clogs more easily.

IMPORTANT:

- All installations must meet local plumbing code requirements.
- Use copper tubing and check for leaks. Install copper tubing only in areas where the household temperatures will remain above freezing.

Water Pressure

A cold water supply with water pressure of between 30 and 120 psi (207 and 827 kPa) is required to operate the water dispenser and ice maker. If you have questions about your water pressure, call a licensed, qualified plumber.

Reverse Osmosis Water Supply

IMPORTANT: The pressure of the water supply coming out of a reverse osmosis system going to the water inlet valve of the refrigerator needs to be between 30 and 120 psi (207 and 827 kPa).

If a reverse osmosis water filtration system is connected to your cold water supply, the water pressure to the reverse osmosis system needs to be a minimum of 40 to 60 psi (276 to 414 kPa).

If the water pressure to the reverse osmosis system is less than 40 to 60 psi (276 to 414 kPa):

- Check to see whether the sediment filter in the reverse osmosis system is blocked. Replace the filter if necessary.
- Allow the storage tank on the reverse osmosis system to refill after heavy usage.

If you have questions about your water pressure, call a licensed, qualified plumber.

Connect the Water Supply

Read all directions before you begin.

IMPORTANT: If you turn ON the refrigerator before the water line is connected, turn OFF the ice maker.

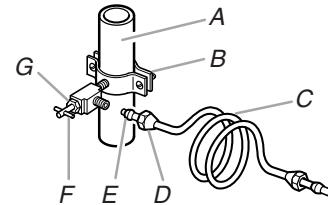
Connect to Water Line

1. Unplug refrigerator or disconnect power.
2. Turn OFF main water supply. Turn ON nearest faucet long enough to clear line of water.
3. Locate a 1/2" to 1 1/4" (1.25 cm to 3.18 cm) vertical cold water pipe near the refrigerator.

IMPORTANT:

- Make sure it is a cold water pipe.
- Horizontal pipe will work, but drill on the top side of the pipe, not the bottom. This will help keep water away from the drill and normal sediment from collecting in the valve.

4. Determine the length of copper tubing you need. Measure from the connection on the lower left rear of refrigerator to the water pipe. Add 7 ft (2.1 m) to allow for cleaning. Use 1/4" (6.35 mm) O.D. (outside diameter) copper tubing. Be sure both ends of copper tubing are cut square.
5. Using a cordless drill, drill a 1/4" hole in the cold water pipe you have selected.

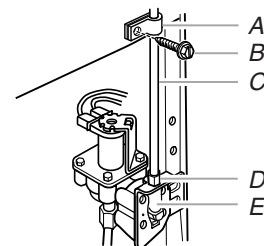


- A. Cold water pipe
- B. Pipe clamp
- C. Copper tubing
- D. Compression nut
- E. Compression sleeve
- F. Shutoff valve
- G. Packing nut

6. Fasten the shutoff valve to the cold water pipe with the pipe clamp. Be sure the outlet end is solidly in the 1/4" drilled hole in the water pipe and that the washer is under the pipe clamp. Tighten the packing nut. Tighten the pipe clamp screws slowly and evenly so washer makes a watertight seal. Do not overtighten or you may crush the copper tubing.
7. Slip the compression sleeve and compression nut on the copper tubing as shown. Insert the end of the tubing into the outlet end squarely as far as it will go. Screw compression nut onto outlet end with adjustable wrench. Do not overtighten.
8. Place the free end of the tubing in a container or sink, and turn ON the main water supply. Flush the tubing until water is clear. Turn OFF the shutoff valve on the water pipe. Coil the copper tubing.

Connect to Refrigerator

1. Unplug refrigerator or disconnect power.
2. Attach the copper tubing to the valve inlet using a compression nut and sleeve as shown. Tighten the compression nut. Do not overtighten.
3. Use the tube clamp on the back of the refrigerator to secure the tubing to the refrigerator as shown. This will help avoid damage to the tubing when the refrigerator is pushed back against the wall.
4. Turn shutoff valve ON.
5. Check for leaks. Tighten any connections (including connections at the valve) or nuts that leak.



- A. Tube clamp
- B. Tube clamp screw
- C. Copper tubing
- D. Compression nut
- E. Valve inlet

6. The ice maker is equipped with a built-in water strainer. If your water conditions require a second water strainer, install it in the 1/4" (6.35 mm) water line at either tube connection. Obtain a water strainer from your nearest appliance dealer.

Complete the Installation

⚠ WARNING



Electrical Shock Hazard

Plug into a grounded 3 prong outlet.

Do not remove ground prong.

Do not use an adapter.

Do not use an extension cord.

Failure to follow these instructions can result in death, fire, or electrical shock.

1. Plug into a grounded 3 prong outlet.

NOTE: Allow 24 hours to produce the first batch of ice. Discard the first three batches of ice produced. Allow 3 days to completely fill ice container.

Refrigerator Doors

Depending on the width of your doorway, you may need to remove the doors to move the refrigerator into your home. Also, the door hinges are factory installed on the right-hand side. If you want the door to open from the other direction, you must reverse the door swing.

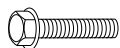
IMPORTANT:

- Before you begin, turn OFF the refrigerator control, unplug the refrigerator or disconnect power. Remove food and any adjustable door or utility bins from doors.
- Depending on your model, your refrigerator has either **Style 1—Contour Doors** or **Style 2—Standard Doors**. Reference the graphic specific to your model later in this section following “Final Steps.”

NOTE: A Reversibility Kit, which includes a new Brand Badge and hole covers, is available.

Tools Needed: $\frac{5}{16}$ " Hex-head socket wrench, #2 Phillips screwdriver, Flat-blade screwdriver, $\frac{5}{16}$ " Open-end wrench, Flat 2" putty knife.

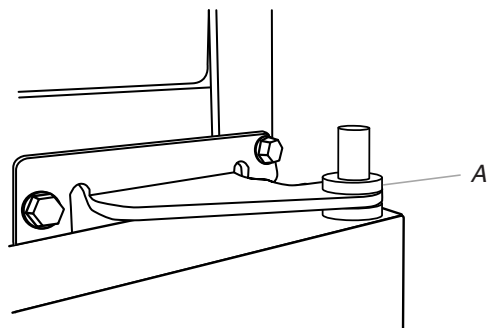
Remove Doors and Hinges



$\frac{5}{16}$ " Hex-Head Hinge Screw

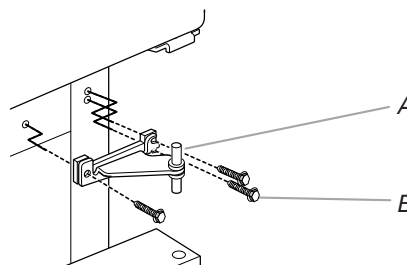
1. Unplug refrigerator or disconnect power.
2. Using a hex-head socket wrench, remove the three $\frac{5}{16}$ " hex-head hinge screws from the top hinge and lift up to remove the hinge. See top hinge graphic.
NOTE: Provide additional support for the doors while the hinges are being moved. Do not depend on the door magnets to hold the doors in place while you are working.
3. Lift the freezer door off of the center hinge and set it aside.

4. Remove the washer from the top of the center hinge pin.



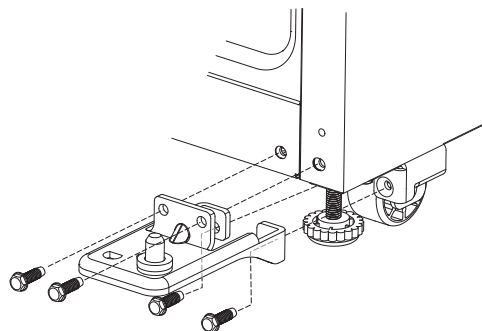
A. Washer

5. Using a hex-head socket wrench and an open-end wrench, remove the three screws from the center hinge and remove the hinge. Set aside.



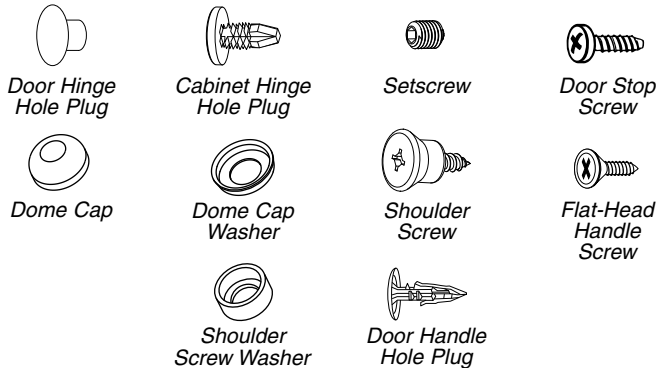
A. Center hinge
B. $\frac{5}{16}$ " Hex-head hinge screws

6. Remove the washer from the bottom of the center hinge pin.
7. Lift the refrigerator door from the bottom hinge, and set aside.
8. Using a hex-head socket wrench, remove the four $\frac{5}{16}$ " hex-head hinge screws from the bottom hinge and pull the hinge from the bottom of the refrigerator door.



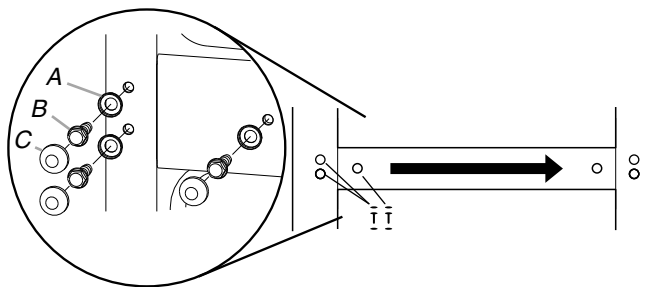
Reverse Doors and Hinges (optional)

IMPORTANT: If you want to reverse your doors so that they open in the opposite direction, follow these steps. If you are not reversing the doors, see "Replace Doors and Hinges." See complete graphics later in these instructions.



Reverse Center Hinge

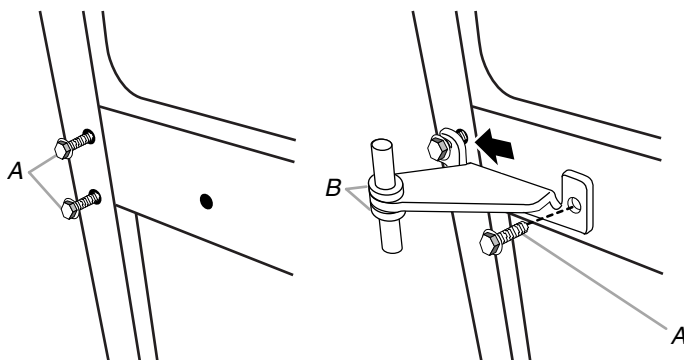
1. Remove the three dome caps and screws from the handle side and use them to fill the holes created when the hinge screws were removed.



A. Dome cap washers C. Dome caps
B. Hex-head hinge screws

2. Using the three $\frac{5}{16}$ " hex-head hinge screws, removed in Step 1, insert two screws halfway into the holes, leaving space to insert the center hinge.
3. Once the refrigerator door is in place, slide the center hinge from the right onto the screws, insert the third screw, and then tighten all screws completely.

NOTE: Make sure the washers are in place on both the top and bottom pins of the center hinge.



A. $\frac{5}{16}$ " Hex-head hinge screws
B. Washers

Reverse Freezer Door

1. Remove the three cabinet hole plugs from the top of the cabinet and place them in the hinge holes on the opposite side.



A. Cabinet hole plugs

2. Remove the door handles. See the model specific graphics later in these instructions.

Door Handles Installed with Flat-head Screws and Setscrews

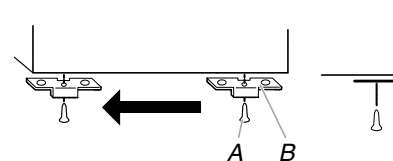
- Remove the two flat-head handle screws from the bottom of the freezer door handle.
- Using the $\frac{1}{8}$ " hex key, loosen the setscrew attaching the top of the handle.
- Pull the handle away from the door to release it from the shoulder screw. Keep all parts together.

Door Handles Installed with Flat-head Screws Only

- Remove the screw cover and the three flat-head handle screws. Keep all parts together.
3. Using the plastic tool (provided), remove the brand badge from the freezer door by prying up the right-hand side and slowly peeling the badge away from the door, revealing the hole to mount the door handle.

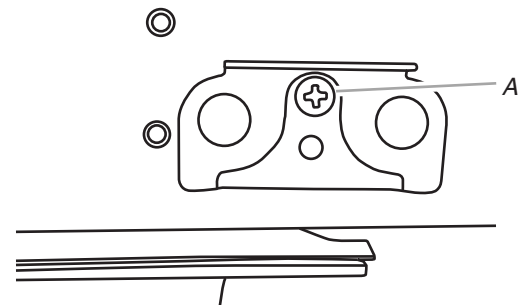
NOTES:

- To avoid scratching the finish, do not use a sharp or metallic object to pry the brand badge from the door.
 - Rub a small amount of liquid dish soap over any adhesive residue with your fingers. Rinse the door with warm water and dry with a soft cloth.
4. Depending on your model, remove the shoulder screw and its washer from the left-hand side of the door and fasten it into the hole that was behind the brand badge.
 5. Remove the door stop from the bottom of the freezer door.



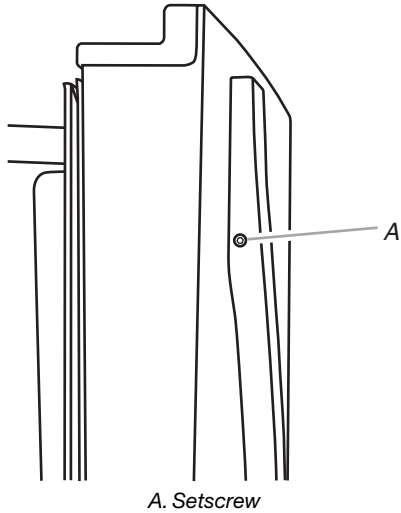
A. Door stop screw
B. Door stop

6. Move the door stop to the opposite side making sure that the hole in the door stop plate is aligned perfectly with the hole for the center hinge pin.
7. Using the screw removed earlier, fasten the door stop to the bottom of the freezer door.



A. Door stop screw

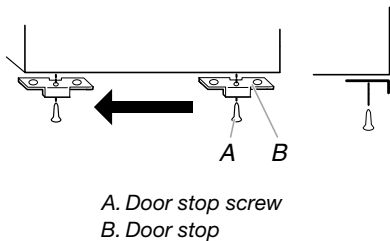
- Depending on your model, place the handle on the shoulder screw and push the handle toward the door until the mounting base is flush against the door.



- Fasten the bottom of the handle to the bottom of the freezer door.
- Tighten all screws. Set aside the freezer door until the hinges and refrigerator door are in place.

Reverse Refrigerator Door

- Remove the door stop from the bottom of the refrigerator door.



- Replace the door stop on the opposite side of the refrigerator door, making sure that the hole in the door stop plate is aligned perfectly with the hole for the bottom hinge pin.
- Fasten the door stop to the door.
- Remove the door handles. See the model specific graphics later in these instructions.

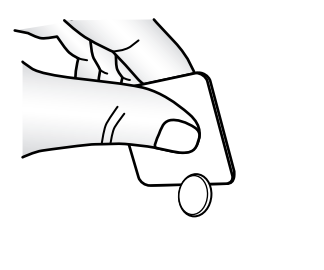
Door Handles Installed with Flat-head Screws and Setscrews

- Remove the screws from the top of the refrigerator door handle.
- Remove the setscrew from the lower part of the handle.
- Pull the handle away from the door to release it from the shoulder screw. Keep all parts together.

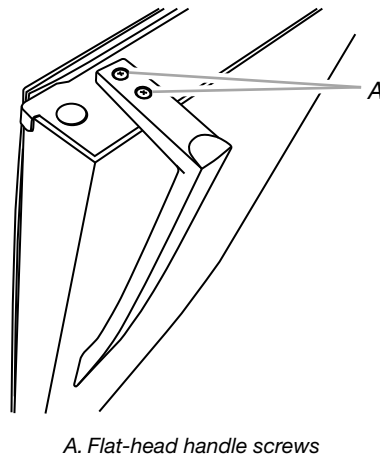
Door Handles Installed with Flat-head Screws Only

- Remove the screw cover, and the three flat-head handle screws. Keep all parts together.

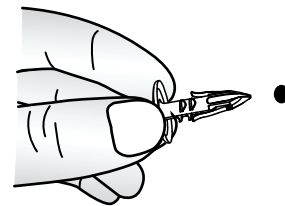
- Remove the plug covering the hole on the opposite side of the door, where the refrigerator door handle will be installed, and discard the hole plug.



- Depending on your model, remove the shoulder screw and its washer from the left-hand side of the door and fasten it into the hole that was behind the cap.
- Depending on your model, place the handle on the shoulder screw and push the handle toward the door until the mounting base is flush against the door.
- Fasten the top of the refrigerator handle to the top of the refrigerator door.



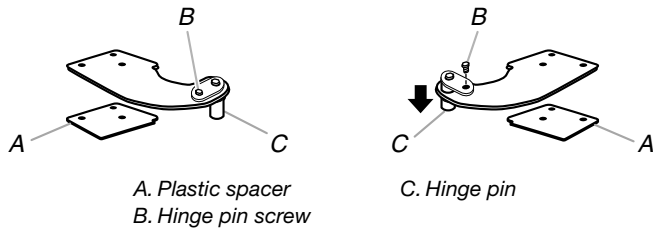
- Cover the remaining hole with the hole plug (provided).



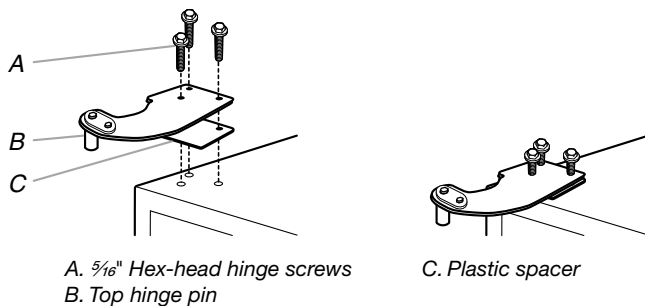
- Remove door hinge hole plug from the refrigerator door. Move to opposite side.
- Tighten all screws. Set aside refrigerator door until bottom hinge is installed on the opposite side of the refrigerator.

Reverse Top Hinge - Contour Door models only

1. Remove the screw attaching the hinge pin to the hinge. Turn the hinge over so that it is pointing in the opposite direction.
2. Place the plastic spacer beneath the hinge so that it will be between the hinge and the cabinet, making sure the holes are aligned.



3. Fasten the top hinge to the opposite side of the cabinet, inserting the screws only halfway, so you will be able to replace and align the freezer door later.

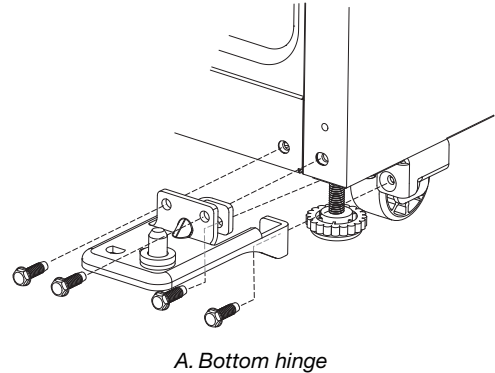


Replace Doors and Hinges

IMPORTANT: Provide additional support for the doors while the hinges are being moved. Do not depend on the door magnets to hold the doors in place while you are working.

Install Refrigerator Door

1. Insert the hinge pin into the bottom hinge of the refrigerator door and fasten the hinge to the cabinet. Do not tighten completely.



2. Place the washer on top of the bottom hinge pin.
3. Place the refrigerator door onto the bottom hinge pin.
4. Measure the distance from the bottom of the refrigerator door to the floor. The distance should be approximately $1\frac{1}{2}$ " (4.6 cm).

NOTE: If necessary, loosen the bottom hinge, without removing the screws, adjust the door to the correct height and fully tighten the screws.

Install Freezer Door

1. Place washer on the upper hinge pin of the center hinge.
2. Place the freezer door on the upper hinge pin of the center hinge.
3. Insert the top hinge pin into the drilled hole in the top of the freezer door. Do not tighten the screws completely.
4. Align the doors so that the bottom of the freezer door aligns evenly with the top of the refrigerator door. Tighten all screws.

NOTE: The distance between the doors should be approximately $\frac{3}{4}$ " (19 mm).

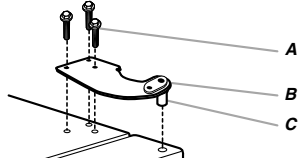
Final Steps

1. Plug in the refrigerator or reconnect the power.
2. Reset the controls. See "Using the Controls."
3. Return all removable door parts to doors and food to refrigerator.

Style 1-Contour Door

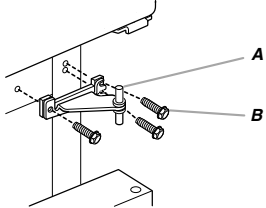
Door Removal & Replacement

Top Hinge



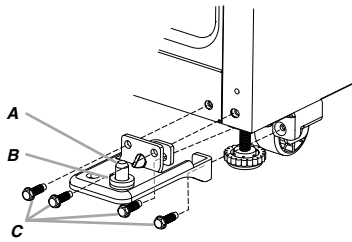
- A. $\frac{5}{16}$ " Hex-Head Hinge Screws
- B. Top Hinge
- C. Hinge Pin

Center Hinge



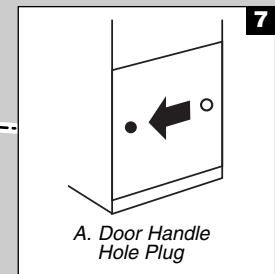
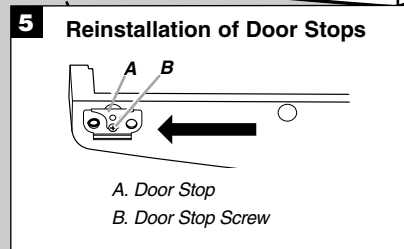
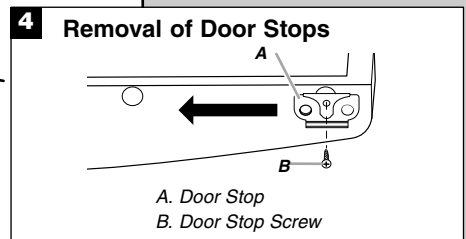
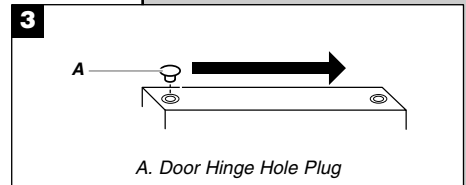
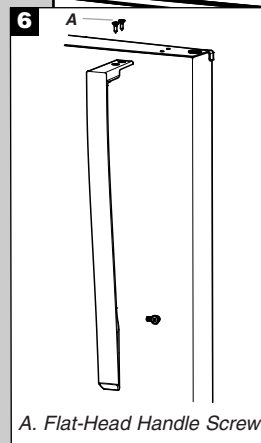
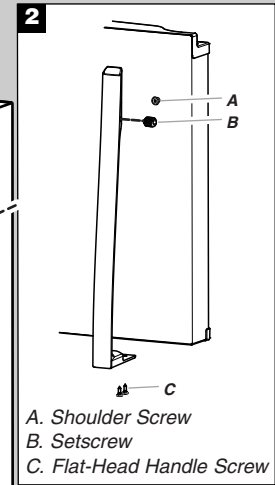
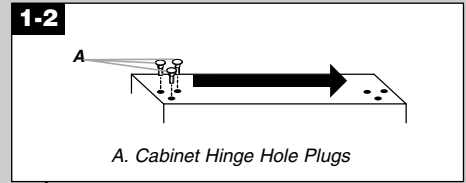
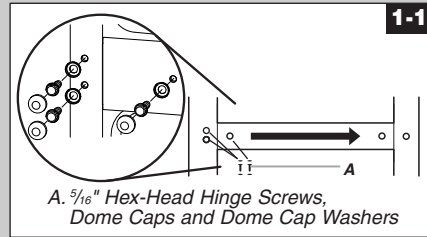
- A. Center Hinge
- B. $\frac{5}{16}$ " Hex-Head Hinge Screws

Bottom Hinge



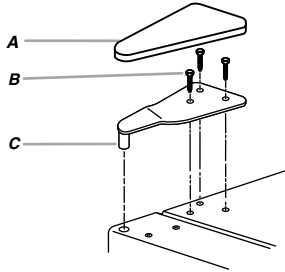
- A. Bottom Hinge
- B. Washer
- C. $\frac{5}{16}$ " Hex-Head Hinge Screws

Door Swing Reversal (optional)



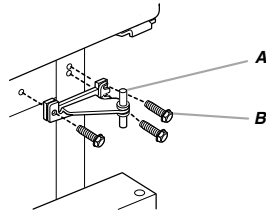
Door Removal & Replacement

Top Hinge



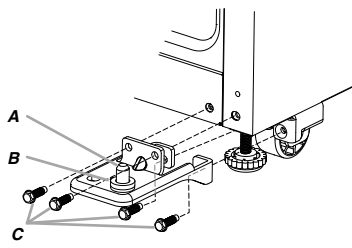
- A. Top Hinge Cover
- B. 5/16" Hex-Head Hinge Screws
- C. Top Hinge

Center Hinge



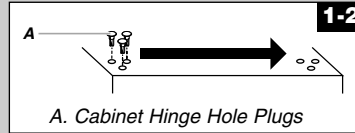
- A. Center Hinge
- B. 5/16" Hex-Head Hinge Screws

Bottom Hinge

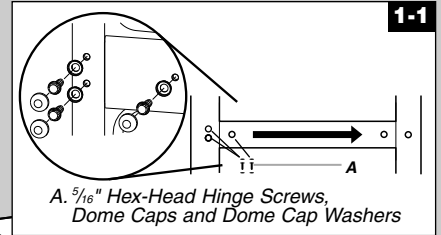


- A. Bottom Hinge
- B. Washer
- C. 5/16" Hex-Head Hinge Screws

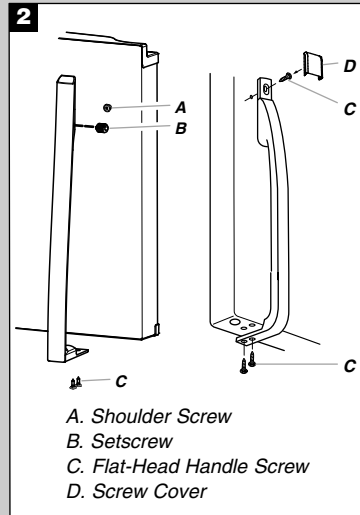
Door Swing Reversal (optional)



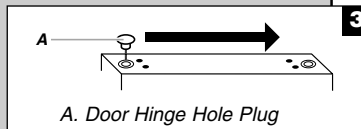
- A. Cabinet Hinge Hole Plugs



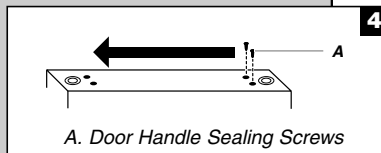
- A. 5/16" Hex-Head Hinge Screws, Dome Caps and Dome Cap Washers



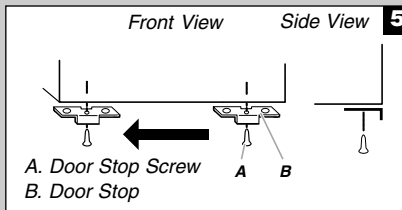
- A. Shoulder Screw
- B. Setscrew
- C. Flat-Head Handle Screw
- D. Screw Cover



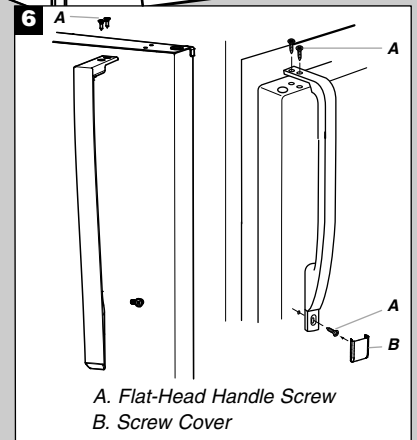
- A. Door Hinge Hole Plug



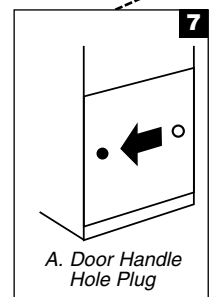
- A. Door Handle Sealing Screws



- A. Door Stop Screw
- B. Door Stop



- A. Flat-Head Handle Screw
- B. Screw Cover



- A. Door Handle Hole Plug

Reversibility Kit Instructions

If your model came with a Reversibility kit, please use the Brand Badge Placement template and the following instructions to install the Brand Badge on the opposite side of the freezer door.

Parts Included:

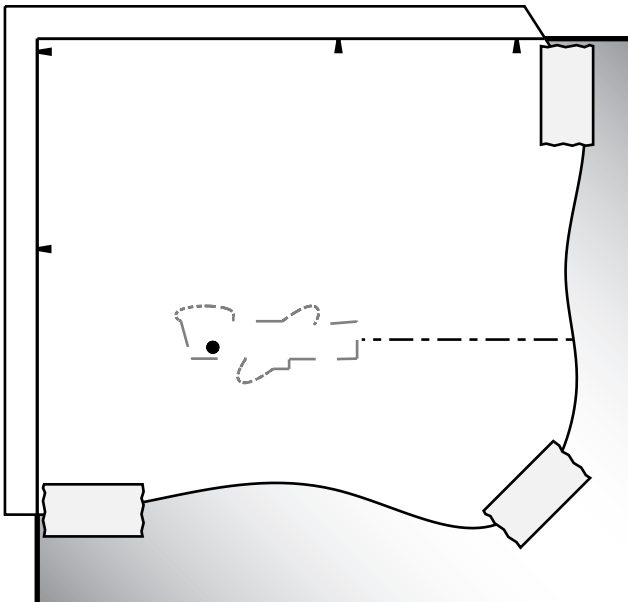
- Brand badge removal tool
- Brand badge template (on last page of User Instructions)
- Door handle hole plug

Tools Needed:

- Scissors
- Masking tape

Freezer Door

1. Using the removal tool (provided), remove the brand badge from the freezer door by lifting up the right-hand side and peeling the badge away from the door from right to left.
NOTE: To avoid scratching the door, do not use a sharp or metallic object to pry the brand badge from the door.
2. Rub a small amount of liquid dish soap over any adhesive residue with your fingers. Rinse the door with warm water and dry with a soft cloth.
3. Cut the template along the dotted lines that match the shape of the brand badge.
4. Align the edges of the template with the side and top of the freezer door and tape the template to the door.
NOTE: When the template is correctly aligned, the hole in the door, where the handle was, will be within the cutout of the template, as shown.



5. Using the cutout as a guide, press the brand badge onto the freezer door making sure that the hole is completely covered.
6. Slowly remove the template.

Adjust the Doors

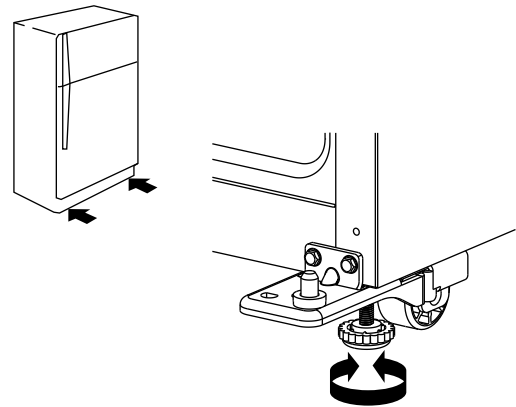
IMPORTANT: Your refrigerator complies with American Disabilities Act (ADA) guidelines.

Door Closing

Your refrigerator has two front adjustable levelers - one on the right and one on the left. If your refrigerator seems unsteady or you want the doors to close easier, adjust the refrigerator's tilt using the following instructions:

1. Turn the leveler to lower or raise that side of the refrigerator. It may take several turns to adjust the tilt of the refrigerator.
 - To raise, turn the leveler to the right.
 - To lower, turn the leveler to the left.

NOTE: Having someone push against the top of the refrigerator takes some weight off the levelers and rollers which makes it easier to adjust.



2. Open both doors again to make sure they close as easily as you like. If not, tilt the refrigerator slightly more to the rear by turning both leveling legs to the left; it may take several more turns.
NOTE: To keep the refrigerator level, you should turn both leveling legs the same amount.
3. Using a level, be sure that the refrigerator is still level side to side. Readjust if necessary.

Door Aligning

If the space between your doors looks uneven, you can adjust it using the following instructions:

1. Depending on your model, remove the top hinge cover.
2. Loosen the top hinge screws using a $\frac{5}{16}$ " socket or wrench.
3. Have someone hold the door in place or put a spacer between the doors while you tighten the top hinge screws.
4. Replace the top hinge cover, if removed in Step 1.

REFRIGERATOR FEATURES

Your model may have some or all of these features.

Important information to know about glass shelves and covers:

Do not clean glass shelves or covers with warm water when they are cold. Shelves and covers may break if exposed to sudden temperature changes or impact, such as bumping. Tempered glass is designed to shatter into many small, pebble-size pieces. This is normal. Glass shelves and covers are heavy. Use both hands when removing them to avoid dropping.

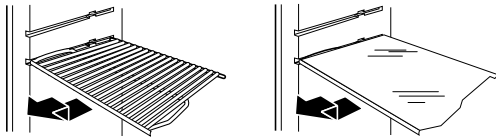
Refrigerator Shelves

The shelves in your refrigerator are adjustable to match your individual storage needs.

Storing similar food items together in your refrigerator and adjusting the shelves to fit different heights of items will make finding the exact item you want easier. It will also reduce the amount of time the refrigerator door is open, and save energy.

To remove and replace a shelf:

1. Remove items from the shelf.
2. Slide the shelf straight out to the stop.
3. Depending on your model, lift back or front of the shelf past the stop. Slide shelf out the rest of the way.
4. Replace the shelf by sliding the back of the shelf into the track in the wall of the cabinet.
5. Guide the front of the shelf into the shelf track. Be sure to slide the shelf in all the way.



Deli Drawer

The deli drawer design allows flexible positioning.

Deli Drawer

To reposition the deli drawer:

1. Remove deli drawer.
2. Release cover and place it between the desired crossbars.
3. Secure the rear clips onto the shelf.
4. Replace the deli drawer.

To remove and replace the deli drawer:

1. Slide deli drawer out to the stop.
2. Lift front of deli drawer with one hand while supporting bottom of drawer with other hand. Slide drawer out the rest of the way.
3. Replace the drawer by sliding it back in fully past the drawer stop.

Deli Drawer Cover

To remove and replace the deli drawer cover:

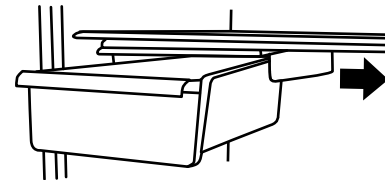
Style 1 - Wire Shelves

1. Remove the deli drawer.
2. Push the cover back to release the rear clips from the shelf. Tilt the cover up at the front, and then pull it forward.
3. Replace the deli drawer cover by fitting the notches and clips on the cover over the rear and center crossbars on the shelf.
4. Replace the deli drawer.

Style 2 - Glass Shelves

1. Remove the deli drawer.
2. Remove items from the shelf.
3. Slide the shelf straight out to the stop.
4. Slide the deli cover to one side until free.
5. Insert the cover into the shelf tracks.
6. Slide the shelf back into the refrigerator, and then replace the deli drawer.

NOTE: The deli drawer slides sideways on the shelf to allow for flexible positioning.



Meat Storage Guide

Store most meat in original wrapping as long as it is airtight and moisture-proof. Rewrap if necessary. See the following chart for storage times. When storing meat longer than the times given, freeze the meat.

Fresh fish or shellfish..... use same day as purchased
Chicken, ground beef, variety meats (liver) 1-2 days
Cold cuts, steaks/roasts 3-5 days
Cured meats 7-10 days
Leftovers - Cover leftovers with plastic wrap, aluminum foil, or plastic containers with tight lids.

Crisper

Crisper Drawers

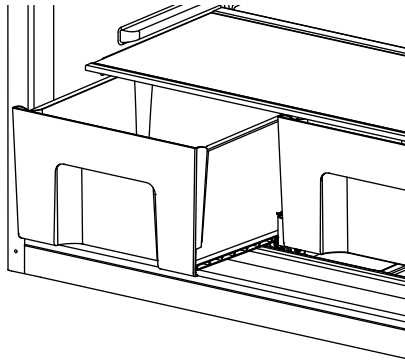
To remove and replace the crisper drawer:

1. Slide the crisper drawer straight out to the stop. Lift the front and slide the drawer out the rest of the way.
2. Replace the drawer by sliding the drawer in fully past the stop.

Crisper Cover

To remove and replace the crisper cover:

1. Remove the crisper(s).
2. Pull the glass straight out.
3. Replace the glass by pushing it straight in.



Crisper Humidity Control

You can control the amount of humidity in the moisture-sealed crisper. Adjust the control to any setting between LOW and HIGH.

LOW (open) lets moist air out of the crisper for best storage of fruits and vegetables with skins.

- Fruit: Wash, let dry and store in refrigerator in plastic bag or crisper. Do not wash or hull berries until they are ready to use. Sort and keep berries in original container in crisper, or store in a loosely closed paper bag on a refrigerator shelf.
- Vegetables with skins: Place in plastic bag or plastic container and store in crisper.

HIGH (closed) keeps moist air in the crisper for best storage of fresh, leafy vegetables.

- Leafy vegetables: Wash in cold water, drain and trim or tear off bruised and discolored areas. Place in plastic bag or plastic container and store in crisper.

FREEZER FEATURES

Your model may have some or all of these features.

Important information to know about glass shelves and covers:

Do not clean glass shelves or covers with warm water when they are cold. Shelves and covers may break if exposed to sudden temperature changes or impact, such as bumping. Tempered glass is designed to shatter into many small, pebble-size pieces. This is normal. Glass shelves and covers are heavy. Use both hands when removing them to avoid dropping.

Frozen Food Storage Guide

Storage times will vary according to the quality and type of food, the type of packaging or wrap used (should be airtight and moisture-proof), and the storage temperature. Seal the package or container securely to avoid taste and odor transfer throughout the product. Ice crystals inside a sealed package are normal. This simply means that moisture in the food and air inside the package have condensed, creating ice crystals.

Put no more unfrozen food into the freezer than will freeze within 24 hours (no more than 2 to 3 lbs of food per cubic foot [907 to 1,350 g per L] of freezer space). Leave enough space in the freezer for air to circulate around packages. The freezer door must close tightly.

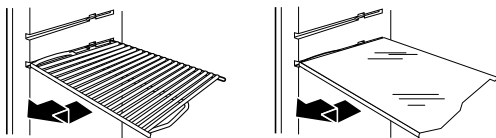
NOTE: For more information on preparing food for freezing, check a freezer guide or reliable cookbook.

Freezer Shelf

Depending on your model, the shelf may be wire or glass.

To remove and replace a shelf:

1. Remove items from the shelf.
2. Slide the shelf straight out to the stop.
3. Depending on your model, lift back or front of the shelf past the stop. Slide shelf out the rest of the way.
4. Replace the shelf by sliding the back of the shelf into the track in the wall of the cabinet.
5. Guide the front of the shelf into the shelf track. Be sure to slide the shelf in all the way.



DOOR FEATURES

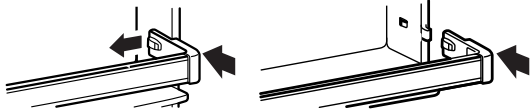
Your model may have some or all of these features.

Door Rails

The door rails may be removed for easier cleaning.

To remove and replace the rails:

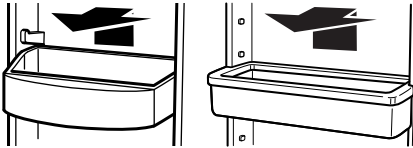
1. Depending on your model, remove the rails by pushing in slightly on the front of the bracket while pulling out on the inside tab. Repeat these steps for the other end.
2. Replace the rails by aligning the ends of the brackets with the buttons on the sides of the door liner. Firmly snap bracket and assembly onto the tabs above the shelf as shown.



Door Bins

To remove and replace the bins:

1. Remove the bin by lifting it and pulling it straight out.
2. Replace the bin by sliding it in above the desired support and pushing it down until it stops.

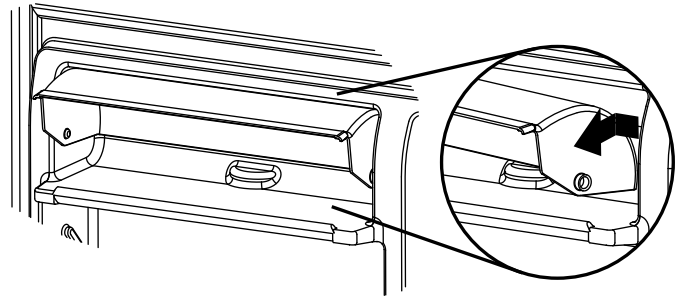


Utility Compartment

The utility compartment may be removed for easier cleaning.

To remove and replace the utility compartment:

1. Remove the utility compartment by squeezing against one side while raising the utility compartment up and pulling it straight out.
2. Replace the utility compartment by positioning one side in the lock and sliding in the opposite side until it stops.



INSTRUCTIONS D'INSTALLATION ET MANUEL D'UTILISATION

Réfrigérateur superposé

SÉCURITÉ DU RÉFRIGÉRATEUR

Votre sécurité et celle des autres est très importante.

Nous donnons de nombreux messages de sécurité importants dans ce manuel et sur votre appareil ménager. Assurez-vous de toujours lire tous les messages de sécurité et de vous y conformer.



Voici le symbole d'alerte de sécurité.

Ce symbole d'alerte de sécurité vous signale les dangers potentiels de décès et de blessures graves à vous et à d'autres.

Tous les messages de sécurité suivront le symbole d'alerte de sécurité et le mot "DANGER" ou "AVERTISSEMENT". Ces mots signifient :

⚠ DANGER

Risque possible de décès ou de blessure grave si vous ne suivez pas immédiatement les instructions.

⚠ AVERTISSEMENT

Risque possible de décès ou de blessure grave si vous ne suivez pas les instructions.

Tous les messages de sécurité vous diront quel est le danger potentiel et vous disent comment réduire le risque de blessure et ce qui peut se produire en cas de non-respect des instructions.

IMPORTANTES INSTRUCTIONS DE SÉCURITÉ

AVERTISSEMENT : Pour réduire les risques d'incendie, de choc électrique ou des blessures lors de l'utilisation du réfrigérateur, prendre quelques précautions fondamentales, y compris les suivantes :

- Brancher l'appareil sur une prise à 3 alvéoles reliée à la terre.
- Ne pas enlever la broche de liaison à la terre.
- Ne pas utiliser un adaptateur.
- Ne pas utiliser un câble de rallonge.
- Débrancher la source de courant électrique avant l'entretien.
- Replacer pièces et panneaux avant de faire la remise en marche.
- Enlever les portes de votre vieux réfrigérateur.
- Utiliser un produit de nettoyage ininflammable.
- Garder les matériaux et les vapeurs inflammables, telle que l'essence, loin du réfrigérateur.
- Utiliser deux ou plus de personnes pour déplacer et installer le réfrigérateur.
- Débrancher le réfrigérateur avant l'installation de la machine à glaçons (seulement pour modèles prêts à recevoir une machine à glaçons).

CONSERVEZ CES INSTRUCTIONS

Avertissements de la proposition 65 de l'État de Californie :

AVERTISSEMENT : Ce produit contient au moins un produit chimique connu par l'État de Californie pour être à l'origine de cancers.

AVERTISSEMENT : Ce produit contient au moins un produit chimique connu par l'État de Californie pour être à l'origine de malformations et autres déficiences de naissance.

Mise au rebut appropriée de votre vieux réfrigérateur

⚠ AVERTISSEMENT

Risque de suffoquer

Enlever les portes de votre vieux réfrigérateur.

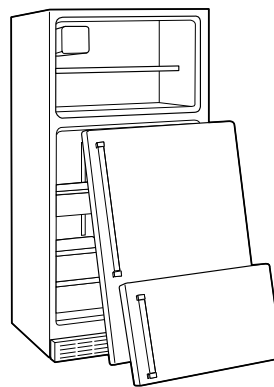
Le non-respect de cette instruction peut causer un décès ou des lésions cérébrales.

IMPORTANT : L'emprisonnement et l'étouffement des enfants ne sont pas un problème du passé. Les réfrigérateurs jetés ou abandonnés sont encore dangereux, même s'ils sont laissés abandonnés pendant "quelques jours seulement". Si vous vous débarrassez de votre vieux réfrigérateur, veuillez suivre les instructions suivantes pour aider à éviter les accidents.

Avant de jeter votre vieux réfrigérateur ou congélateur :

- Enlever les portes.

- Laisser les tablettes en place de sorte que les enfants ne puissent pas y pénétrer facilement.



Renseignements importants à propos de la mise au rebut des fluides réfrigérants :

Mettre le réfrigérateur au rebut conformément à la réglementation fédérale et locale. Les fluides réfrigérants doivent être évacués par un technicien certifié et agréé par l'EPA conformément aux procédures établies.

INSTRUCTIONS D'INSTALLATION

Déballage du réfrigérateur

⚠ AVERTISSEMENT

Risque du poids excessif

Utiliser deux ou plus de personnes pour déplacer et installer le réfrigérateur.

Le non-respect de cette instruction peut causer une blessure au dos ou d'autre blessure.

Déplacement de votre réfrigérateur :

Votre réfrigérateur est lourd. Lors du déplacement de votre réfrigérateur pour le nettoyage ou un entretien ou réparation, veiller à recouvrir le plancher avec du carton ou un panneau de fibres dures pour éviter qu'il ne subisse tout dommage. Toujours tirer le réfrigérateur tout droit lors de son déplacement. Ne pas incliner le réfrigérateur d'un côté ou de l'autre ni le "faire marcher" en essayant de le déplacer car le plancher pourrait être endommagé.

Retirer les matériaux d'emballage

IMPORTANT : Ne pas enlever le dispositif de refoulement de l'air en mousse blanche de derrière le tableau de commande sur le plafond du réfrigérateur. Si le dispositif est enlevé, de la glace peut se former en provenance du congélateur et causer la formation de glaçons.

- Enlever le ruban adhésif et tout résidu de colle des surfaces du réfrigérateur avant de le mettre en marche. Frotter une petite quantité de savon liquide à vaisselle sur l'adhésif avec les doigts. Rincer à l'eau tiède et essuyer avec un chiffon doux.
- Ne pas utiliser d'instruments coupants, d'alcool à friction, de liquides inflammables ou de nettoyants abrasifs pour enlever le ruban adhésif ou la colle. Ces produits peuvent endommager la surface de votre réfrigérateur. Pour plus de renseignements, voir "Sécurité du réfrigérateur".

Nettoyage avant l'utilisation

Après avoir enlevé tous les matériaux d'emballage, nettoyer l'intérieur du réfrigérateur avant de l'utiliser. Voir les instructions de nettoyage dans la section "Entretien du réfrigérateur".

Importants renseignements à savoir au sujet des tablettes et des couvercles en verre :

Ne pas nettoyer les tablettes ou couvercles en verre avec de l'eau tiède quand ils sont froids. Les tablettes et les couvercles peuvent se briser s'ils sont exposés à des changements soudains de température ou à un impact tel que coup brusque. Le verre trempé est conçu pour éclater en d'innombrables pièces minuscules. Ceci est normal. Les tablettes et les couvercles en verre sont lourds. Les saisir à deux mains lors de leur dépose afin d'éviter de les faire tomber.

Exigences d'emplacement

⚠ AVERTISSEMENT



Risque d'explosion

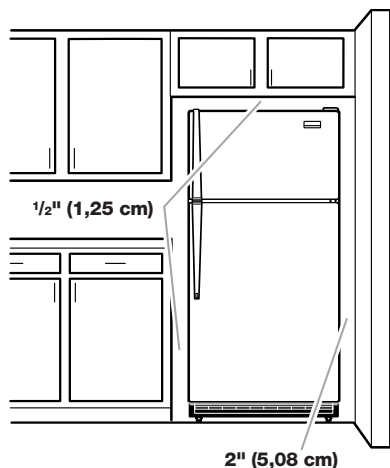
Garder les matériaux et les vapeurs inflammables, telle que l'essence, loin du réfrigérateur.

Le non-respect de cette instruction peut causer un décès, une explosion ou un incendie.

IMPORTANT : Ce réfrigérateur est conçu pour un usage domestique, à l'intérieur uniquement.

Pour obtenir une aération appropriée pour votre réfrigérateur, laissez un espace de 1/2" (1,25 cm) de chaque côté et au sommet. Laissez un espace de 1" (2,54 cm) derrière le réfrigérateur. Si votre réfrigérateur comporte une machine à glaçons, s'assurer qu'un espace additionnel est prévu à l'arrière pour permettre les raccordements des conduits d'eau. En cas d'installation du réfrigérateur près d'un mur fixe, laissez un minimum de 2" (5,08 cm) du côté de la charnière (certains modèles nécessitent davantage d'espace) pour permettre à la porte de s'ouvrir sans obstruction.

REMARQUE : Ce réfrigérateur est conçu pour être utilisé dans un endroit où la température est comprise entre un minimum de 55°F (13°C) et un maximum de 110°F (43°C). La plage de température ambiante idéale pour une performance optimale est comprise entre 60°F (15°C) et 90°F (32°C). Respecter cette plage de température permet aussi de réduire la consommation d'électricité et d'optimiser l'efficacité du refroidissement. Il est recommandé de ne pas installer le réfrigérateur près d'une quelconque source de chaleur, tel un four ou un radiateur.



Spécifications électriques

⚠ AVERTISSEMENT



Risque de choc électrique

Brancher sur une prise à 3 alvéoles reliée à la terre.

Ne pas enlever la broche de liaison à la terre.

Ne pas utiliser un adaptateur.

Ne pas utiliser un câble de rallonge.

Le non-respect de ces instructions peut causer un décès, un incendie ou un choc électrique.

Avant de placer le réfrigérateur à son emplacement final, il est important de vous assurer d'avoir la connexion électrique appropriée.

Méthode recommandée de mise à la terre

Une source d'alimentation de 115 volts, 60 Hz, type 15 ou 20 ampères CA seulement, protégée par fusible et adéquatement mise à la terre, est nécessaire. Il est recommandé d'utiliser un circuit distinct pour alimenter uniquement votre réfrigérateur. Utiliser une prise murale qui ne peut pas être mise hors circuit à l'aide d'un commutateur. Ne pas utiliser un câble de rallonge.

REMARQUE : Avant d'installer ou de nettoyer un quelconque élément, ou de retirer une ampoule d'éclairage, désactiver le refroidissement ou placer la commande (du thermostat, réfrigérateur ou congélateur selon le modèle) à OFF (arrêt) et débrancher ensuite le réfrigérateur de la source d'alimentation électrique. Lorsque vous avez terminé, reconnecter le réfrigérateur à la source d'alimentation électrique et réactiver le refroidissement ou replacer la commande (du thermostat, réfrigérateur ou congélateur selon le modèle) au réglage désiré. Voir "Utilisation des commandes" dans les instructions d'utilisation, le guide d'utilisation, ou le guide d'utilisation et d'entretien.

Spécifications de l'alimentation en eau

Rassembler les outils et pièces nécessaires avant de commencer l'installation. Lire et suivre les instructions fournies avec les outils indiqués ici.

Outillage Requis :

- Tournevis à lame plate
- Clés plates de 7/16" et 1/2" ou deux clés à molette
- Tourne-écrou de 1/4"
- Foret de 1/4"
- Perceuse sans fil

REMARQUE : Votre marchand de réfrigérateurs dispose d'une trousse disponible avec un robinet d'arrêt à étrier de 1/4" (6,35 mm), un raccord et un tube en cuivre. Avant l'achat, s'assurer que le robinet d'arrêt à étrier est conforme à vos codes locaux de plomberie. Ne pas employer de robinet d'arrêt à étrier de 3/16" (4,76 mm) ou de type à percer, ce qui réduit le débit d'eau et cause une obstruction plus facilement.

IMPORTANT :

- Toutes les installations doivent être conformes aux exigences des codes locaux de plomberie.
- Utiliser un tube en cuivre et vérifier s'il y a des fuites. Installer les tubes en cuivre seulement à des endroits où la température se maintient au-dessus du point de congélation.

Pression de l'eau

Une alimentation en eau froide avec une pression comprise entre 30 et 120 lb/po² (207 et 827 kPa) est nécessaire pour faire fonctionner le distributeur d'eau et la machine à glaçons. Si vous avez des questions au sujet de la pression de votre eau, appeler un plombier qualifié agréé.

Alimentation en eau par osmose inverse

IMPORTANT : La pression de l'alimentation en eau entre le système d'osmose inverse et la valve d'arrivée d'eau du réfrigérateur doit être entre 30 et 120 lb/po² (207 et 827 kPa).

Si un système de purification de l'eau par osmose inverse est raccordé à votre alimentation en eau froide, la pression de l'eau au système doit être d'un minimum de 40 à 60 lb/po² (276 à 414 kPa).

Si la pression de l'eau au système d'osmose inverse est inférieure à 40 à 60 lb/po² (276 à 414 kPa) :

- Vérifier si le filtre à sédiments du système d'osmose inverse est bloqué et le remplacer si nécessaire.
- Laisser le réservoir du système d'osmose inverse se remplir après une utilisation intense.

Si vous avez des questions au sujet de la pression de votre eau, appeler un plombier qualifié agréé.

Raccordement de la canalisation d'eau

Lire toutes les instructions avant de commencer.

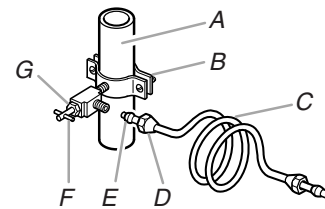
IMPORTANT : Si on doit mettre le réfrigérateur sous tension avant qu'il soit raccordé à la canalisation d'eau, placer la commande de la machine à glaçons à la position OFF (arrêt).

Raccordement à une canalisation d'eau

1. Débrancher le réfrigérateur ou déconnecter la source de courant électrique.
2. FERMER le robinet principal d'arrivée d'eau. OUVRIR le robinet de puisage le plus proche pendant une période suffisante pour que la canalisation d'eau se vide.
3. Trouver une canalisation d'eau froide verticale de 1/2" à 1 1/4" (1,25 cm à 3,18 cm) près du réfrigérateur.

IMPORTANT :

- Assurez-vous qu'il s'agit d'un conduit d'eau froide.
 - Un conduit horizontal fonctionnera, mais percer par le dessus de la canalisation et non pas par le dessous. Ainsi, l'eau ne risquera pas d'arroser la perceuse. Ceci empêche également les sédiments qu'on trouve normalement dans l'eau de s'accumuler dans le robinet.
4. Pour déterminer la longueur du tube en cuivre, il faut mesurer la distance entre le point de connexion inférieur gauche à l'arrière du réfrigérateur et la canalisation d'eau. Ajouter une longueur de 7 pi (2,1 m) pour permettre le déplacement du réfrigérateur pour le nettoyage. Utiliser un tube en cuivre de 1/4" (6,35 mm) de diamètre extérieur. Veiller à ce que le tube soit coupé d'équerre aux deux extrémités.
 5. À l'aide d'une perceuse sans fil, percer un trou de 1/4" dans le tuyau de canalisation d'eau froide choisi.

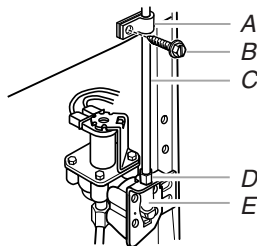


- A. Canalisation d'eau froide
- B. Bride de tuyau
- C. Tube en cuivre
- D. Écrou de compression
- E. Bague de compression
- F. Robinet d'arrêt
- G. Écrou de serrage

6. Fixer le robinet d'arrêt sur la canalisation d'eau froide avec la bride de tuyau. Vérifier que le raccord de sortie du robinet est bien engagé dans le trou de 1/4" percé dans la canalisation et que la rondelle d'étanchéité est placée sous la bride de tuyau. Serrer l'écrou de serrage. Serrer lentement et uniformément les vis de la bride de tuyau afin que la rondelle forme une jonction étanche. Ne pas serrer excessivement car ceci pourrait provoquer l'écrasement du tube en cuivre.
7. Enfiler l'écrou et la bague de compression du raccord sur le tube en cuivre comme on le voit sur l'illustration. Insérer l'extrémité du tube tout droit et aussi loin que possible dans l'ouverture de sortie du robinet. Visser l'écrou de compression sur l'ouverture de sortie avec une clé à molette. Ne pas serrer excessivement.
8. Placer le bout libre du tube dans un contenant ou évier et OUVRIR le robinet principal d'arrivée d'eau; laisser l'eau s'écouler par le tube jusqu'à ce que l'eau soit limpide. FERMER le robinet principal d'arrivée d'eau. Enrouler le tube en cuivre en spirale.

Raccordement au réfrigérateur

1. Débrancher le réfrigérateur ou déconnecter la source de courant électrique.
2. Connecter le tube en cuivre au robinet d'arrivée d'eau en utilisant un écrou et une bague de compression tel qu'illustré. Serrer l'écrou de compression. Ne pas serrer excessivement.
3. Utiliser la bride du tube à l'arrière du réfrigérateur pour fixer le tube au réfrigérateur tel qu'illustré. Ceci aide à éviter d'endommager le tube lorsque le réfrigérateur est poussé contre le mur.
4. OUVRIR le robinet d'arrêt.
5. Inspecter pour rechercher les fuites. Serrer tous les raccords (y compris les raccordements de la valve d'entrée d'eau) ou les écrous qui coulent.



A. Bride de tube
B. Vis de bride de tube
C. Tube en cuivre
D. Écrou de compression
E. Valve d'entrée d'eau

6. La machine à glaçons est équipée d'un filtre à eau incorporé. Si la qualité de l'eau distribuée localement nécessite un deuxième filtre à eau, l'installer dans la canalisation d'eau de 1/4" (6,35 mm) à l'une ou l'autre extrémité de la canalisation. On peut obtenir un tel filtre à eau chez le marchand d'appareils électroménagers le plus proche.

Achever l'installation

⚠ AVERTISSEMENT



Risque de choc électrique

- Brancher sur une prise à 3 alvéoles reliée à la terre.
- Ne pas enlever la broche de liaison à la terre.
- Ne pas utiliser un adaptateur.
- Ne pas utiliser un câble de rallonge.
- Le non-respect de ces instructions peut causer un décès, un incendie ou un choc électrique.

1. Brancher sur une prise à 3 alvéoles reliée à la terre.

REMARQUE : Attendre 24 heures pour produire la première quantité de glaçons. Jeter les trois premières quantités de glaçons produites. Attendre 3 jours pour que le bac à glaçons se remplisse entièrement.

Portes du réfrigérateur

En fonction de la largeur de l'ouverture de la porte, il faudra peut-être retirer les portes pour pouvoir introduire le réfrigérateur dans le domicile. Les charnières de portes ont été installées à l'usine sur le côté droit de l'appareil. Si l'on souhaite que la porte puisse s'ouvrir depuis le côté opposé, le sens d'ouverture de la porte doit être inversé.

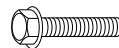
IMPORTANT :

- Avant de commencer, tourner la commande du réfrigérateur à OFF (arrêt), débrancher le réfrigérateur ou déconnecter la source de courant électrique. Retirer les aliments et tout balconnet ou compartiment utilitaire des portes du réfrigérateur.
- Selon le modèle, le réfrigérateur comporte soit des portes profilées de **Style 1** ou des portes standard de **Style 2**. Consulter le schéma correspondant à votre modèle plus loin dans cette section après "Étapes finales".

REMARQUE : On peut acheter un ensemble d'inversion du sens d'ouverture qui comprend une nouvelle insigne de la marque ainsi que des bouchons d'obturation.

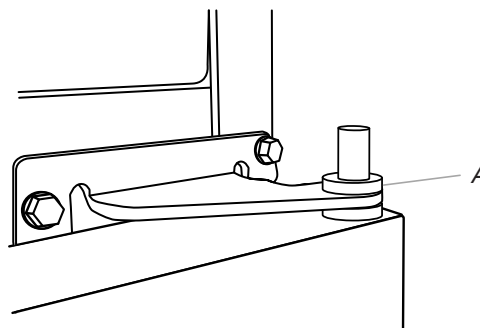
Outils nécessaires : Clé à douille à tête hexagonale de 5/16", tournevis Phillips n° 2, tournevis à lame plate, clé plate de 5/16", couteau à mastic plat de 2".

Démontage des portes et charnières



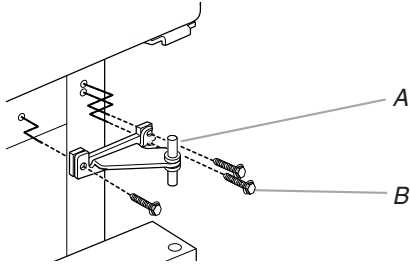
Vis de charnière à tête hexagonale de 5/16"

1. Débrancher le réfrigérateur ou déconnecter la source de courant électrique.
 2. Utiliser une clé à douille hexagonale, retirer les trois vis de charnière à tête-hexagonale de 5/16" de la charnière supérieure et les soulever pour retirer la charnière. Voir l'illustration de la charnière supérieure.
- REMARQUE :** Prévoir un support additionnel des portes pendant le déplacement des charnières. La force d'attraction des aimants des portes ne suffit pas à les maintenir en place.
3. Soulever la porte du congélateur pour la séparer de la charnière centrale et la conserver à part.
 4. Retirer la rondelle du sommet de l'axe de la charnière centrale.



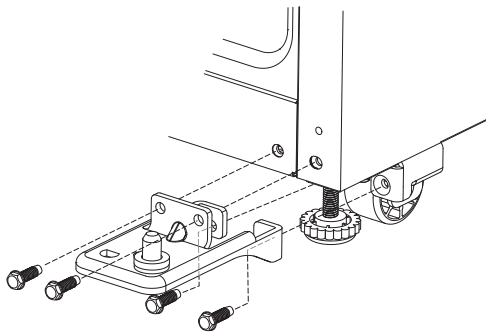
A. Rondelle

- À l'aide d'une clé à douille à tête hexagonale et d'une clé plate, retirer les trois vis de la charnière centrale puis retirer la charnière. Mettre de côté.



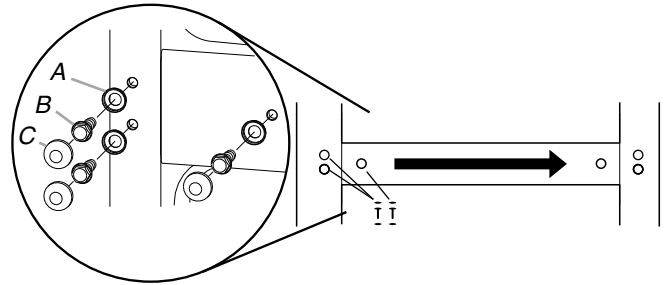
A. Charnière centrale
B. Vis de charnière à tête hexagonale de 5/16"

- Retirer la rondelle du bas de l'axe de charnière centrale.
- Soulever la porte du réfrigérateur de la charnière inférieure et mettre de côté.
- À l'aide d'une clé à douille à tête hexagonale, retirer les quatre vis de charnière à tête-hexagonale de 5/16" de la charnière inférieure et dégager la charnière du bas de la porte du réfrigérateur.



Inversion du sens d'installation de la charnière centrale

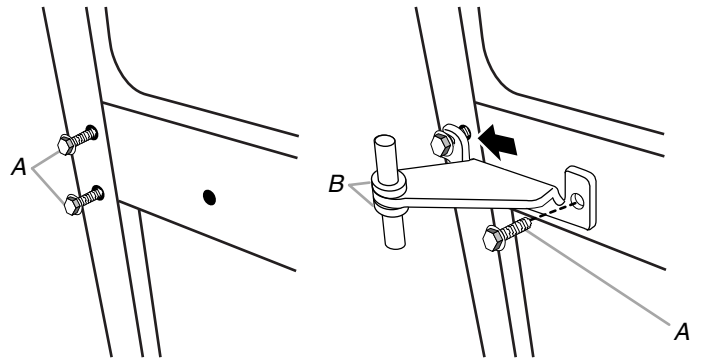
- Retirer les trois chapeaux bombés et les vis du côté de la poignée et les placer dans les trous laissés lors du retrait des vis de charnière.



A. Rondelle des chapeaux bombés
B. Vis de charnière à tête hexagonale
C. Chapeaux bombés

- À l'aide des trois vis de charnière à tête hexagonale de 5/16" retirées à l'étape 1, insérer deux vis à moitié dans les trous en laissant suffisamment d'espace pour insérer la charnière centrale.
- Une fois la porte du réfrigérateur en place, faire glisser la charnière centrale de la droite sur les vis, insérer la troisième vis et serrer complètement toutes les vis.

REMARQUE : S'assurer que les rondelles sont bien installées sur les axes supérieurs et inférieurs de la charnière centrale.

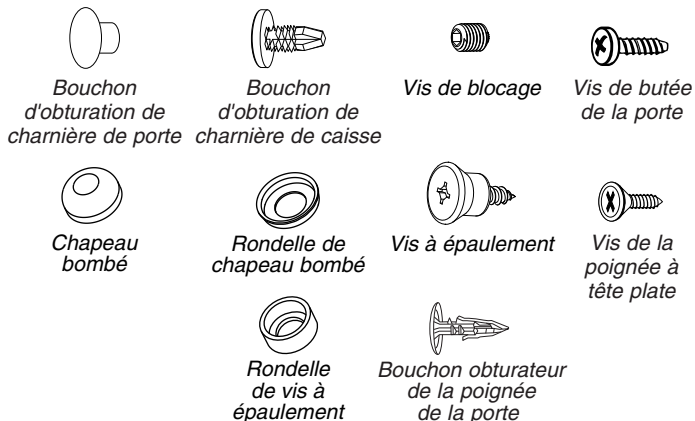


A. Vis de charnière à tête hexagonale de 5/16"
B. Rondelles

Inversion du sens d'ouverture des portes et d'installation des charnières (facultatif)

IMPORTANT : Si l'on souhaite inverser la position des portes pour pouvoir les ouvrir dans la direction opposée, suivre les étapes suivantes. Si l'on ne souhaite pas inverser le sens d'ouverture des portes, voir "Réinstallation des portes et des charnières".

Voir les illustrations complètes plus loin dans les présentes instructions.



Inversion du sens d'ouverture de la porte du congélateur

- Enlever les trois bouchons d'obturation du sommet de la caisse et les placer dans les trous de charnière du côté opposé.



A. Bouchons d'obturation

- Enlever les poignées de porte. Voir les illustrations spécifiques à chaque modèle plus loin dans les présentes instructions.

Poignées de porte installées avec des vis à tête plate et des vis de réglage :

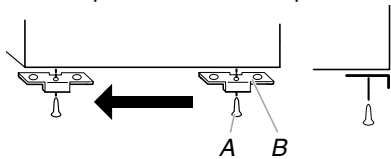
- Retirer les deux vis de poignée à tête plate du bas de la poignée de porte du congélateur.
- Desserrer la vis de blocage fixant le sommet de la poignée à l'aide d'une clé hexagonale de 1/8".
- Tirer sur la poignée pour la dégager de la vis à épaulement. Conserver toutes les pièces ensemble.

Poignées de porte installées avec des vis à tête plate uniquement :

- Retirer le couvre-vis et les trois vis de poignée à tête plate. Conserver toutes les pièces ensemble.
3. A l'aide de l'outil en plastique (fourni), retirer l'insigne de la marque de la porte du congélateur en soulevant le côté droit et en décollant lentement l'insigne de la porte, dégageant ainsi le trou pour monter la poignée de porte.

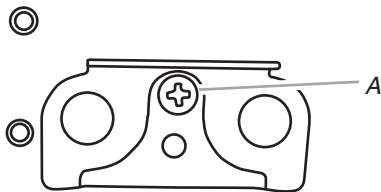
REMARQUES :

- Afin d'éviter d'érafler la porte, ne pas utiliser d'objet pointu ou métallique pour arracher l'insigne de la marque de la porte.
 - Frotter une petite quantité de savon liquide à vaisselle sur les résidus d'adhésif avec les doigts. Rincer la porte à l'eau tiède et sécher avec un chiffon doux.
4. En fonction du modèle, retirer la vis à épaulement et sa rondelle situées du côté gauche de la porte et la visser dans le trou situé derrière l'insigne.
 5. Retirer la butée de porte du bas de la porte du congélateur.



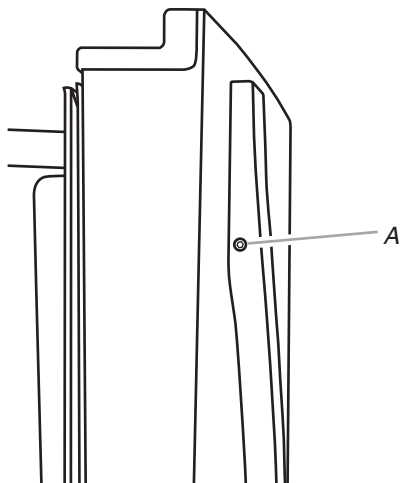
A. Vis de butée de porte
B. Butée de porte

6. Placer la butée de porte du côté opposé en s'assurant que le trou de la plaque de butée de porte est parfaitement aligné avec le trou destiné à l'axe de charnière centrale.
7. À l'aide de la vis retirée précédemment, fixer la butée de porte au bas de la porte du congélateur.



A. Vis de butée de porte

8. En fonction du modèle, placer la poignée sur la vis à épaulement et pousser la poignée vers la porte jusqu'à ce que la base de montage soit en affleurement avec la porte.

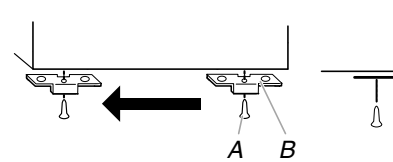


A. Vis de réglage

9. Fixer le bas de la poignée au bas de la porte du congélateur.
10. Serrer toutes les vis. Conserver la porte du congélateur à part jusqu'à la mise en place des charnières et de la porte du réfrigérateur.

Inversion du sens d'ouverture de la porte du réfrigérateur

1. Retirer la butée de porte du bas de la porte du réfrigérateur.



A. Vis de butée de porte
B. Butée de porte

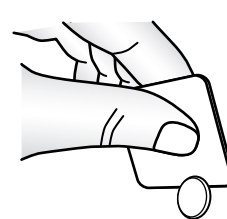
2. Réinstaller la butée de porte du côté opposé de la porte du réfrigérateur en s'assurant que le trou de la plaque de butée de porte est parfaitement aligné avec le trou destiné à l'axe de charnière inférieure.
3. Fixer la butée de porte à la porte.
4. Enlever les poignées de porte. Voir les illustrations spécifiques à chaque modèle plus loin dans les présentes instructions.

Poignées de porte installées avec des vis à tête plate et des vis de réglage :

- Retirer les vis du sommet de la poignée de porte du réfrigérateur.
- Retirer la vis de réglage de la partie basse de la poignée.
- Tirer sur la poignée pour la dégager de la vis à épaulement. Conserver toutes les pièces ensemble.

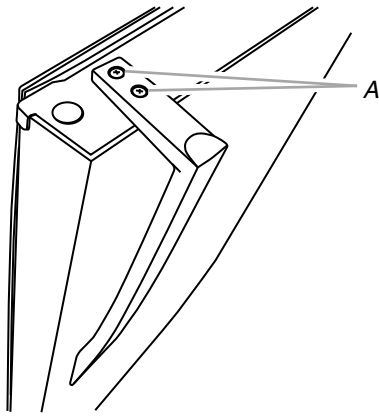
Poignées de porte installées avec des vis à tête plate uniquement :

- Retirer le couvre-vis et les trois vis de poignée à tête plate. Conserver toutes les pièces ensemble.
5. Retirer le bouchon d'obturation du côté opposé de la porte, là où la poignée de la porte du réfrigérateur doit être installée, et jeter le bouchon d'obturation.



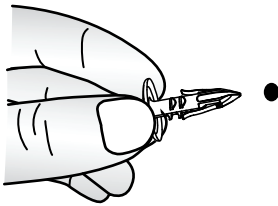
6. En fonction du modèle, retirer la vis à épaulement et sa rondelle situées du côté gauche de la porte et la visser dans le trou situé derrière le chapeau.
7. En fonction du modèle, placer la poignée sur la vis à épaulement et pousser la poignée vers la porte jusqu'à ce que la base de montage soit en affleurement avec la porte.

- Fixer le sommet de la poignée du réfrigérateur au sommet de la porte du congélateur.



A. Vis de poignée à tête plate

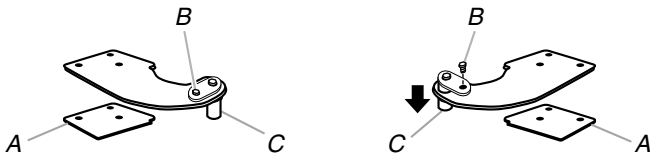
- Recouvrir le trou restant avec le bouchon d'obturation (fourni).



- Enlever le bouchon d'obturation du trou de charnière de la porte du réfrigérateur. Le transférer du côté opposé.
- Serrer toutes les vis. Mettre la porte du réfrigérateur de côté jusqu'à ce que la charnière inférieure soit installée sur le côté opposé du réfrigérateur.

Inversion du sens d'installation de la charnière supérieure – Modèles avec porte profilée uniquement

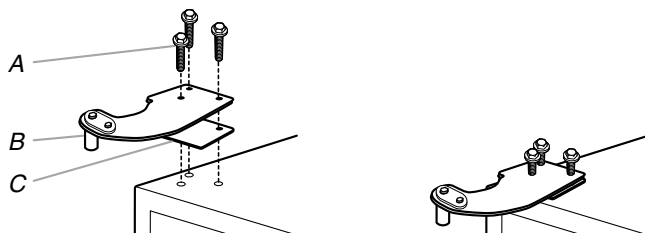
- Ôter la vis fixant l'axe de charnière à la charnière. Retourner la charnière de façon à ce qu'elle soit orientée dans la direction opposée.
- Placer la cale en plastique sous la charnière de façon à ce qu'elle se trouve entre la charnière et la caisse, tout en s'assurant que les trous sont bien alignés.



A. Cale en plastique
B. Vis de l'axe de la charnière

C. Axe de charnière

- Fixer la charnière supérieure sur le côté opposé de la caisse en insérant les vis jusqu'à la moitié seulement, de façon à pouvoir réinstaller et aligner la porte du congélateur plus tard.



A. Vis de charnière à tête hexagonale de $\frac{5}{16}$ "

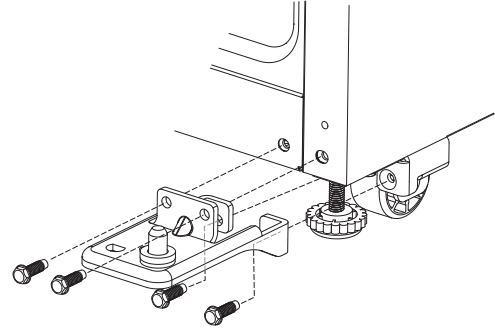
B. Axe de charnière supérieure
C. Cale en plastique

Réinstallation des portes et charnières

IMPORTANT : Prévoir un support additionnel des portes pendant le déplacement des charnières. La force d'attraction des aimants des portes ne suffit pas à les maintenir en place.

Installation de la porte du réfrigérateur

- Insérer l'axe de la charnière dans la charnière inférieure de la porte du réfrigérateur et fixer la charnière à la caisse. Ne pas serrer complètement.



A. Charnière inférieure

- Placer la rondelle au sommet de l'axe de la charnière inférieure.
- Placer la porte du réfrigérateur sur l'axe de charnière inférieure.
- Mesurer la distance entre le bas de la porte du réfrigérateur et le plancher. Cette distance doit être d'environ $1\frac{1}{8}$ " (4,6 cm).

REMARQUE : Si nécessaire, desserrer la charnière inférieure sans retirer les vis, ajuster la hauteur de la porte et serrer complètement les vis.

Installation de la porte du congélateur

- Placer la rondelle sur l'axe supérieur de la charnière centrale.
- Placer la porte du congélateur sur l'axe supérieur de la charnière centrale.
- Insérer l'axe de la charnière supérieure dans le trou percé au sommet de la porte du congélateur. Ne pas complètement serrer les vis.
- Aligner les portes de façon à ce que le bas de la porte du congélateur soit parfaitement aligné avec le sommet de la porte du réfrigérateur. Serrer toutes les vis.

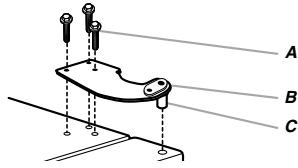
REMARQUE : La distance entre les portes doit être d'environ $\frac{3}{4}$ " (19 mm).

Étapes finales

- Brancher le réfrigérateur ou reconnecter la source de courant électrique.
- Réinitialiser les commandes. Voir "Utilisation des commandes".
- Réinstaller l'ensemble des pièces amovibles dans les portes et les aliments dans le réfrigérateur.

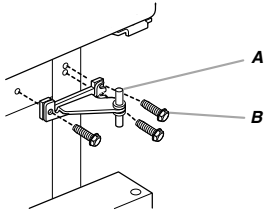
Démontage et réinstallation de la porte

Charnière supérieure



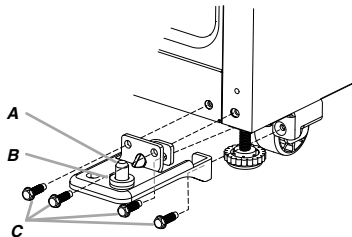
- A. Vis de charnière à tête hexagonale de 5/16"
- B. Charnière supérieure
- C. Axe de charnière

Charnière centrale



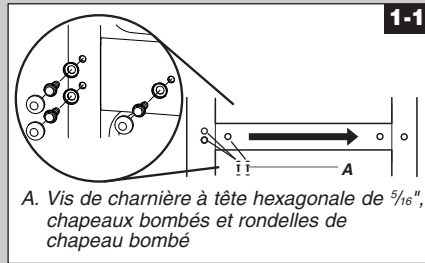
- A. Charnière centrale
- B. Vis de charnière à tête hexagonale de 5/16"

Charnière inférieure

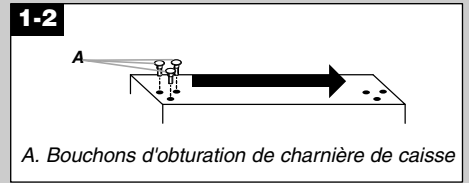


- A. Charnière inférieure
- B. Rondelle
- C. Vis de charnière à tête hexagonale de 5/16"

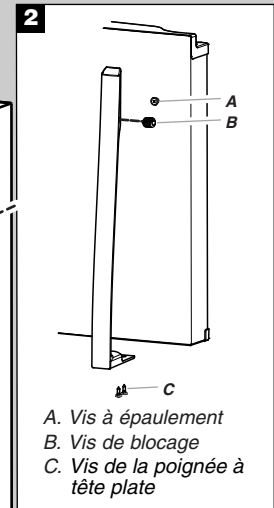
Inversion du sens d'ouverture de la porte (facultatif)



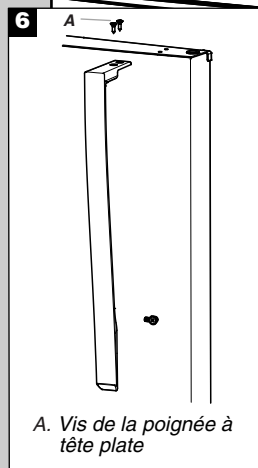
- A. Vis de charnière à tête hexagonale de 5/16", chapeaux bombés et rondelles de chapeau bombé



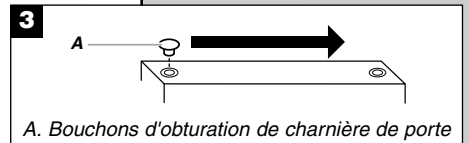
- A. Bouchons d'obturation de charnière de caisse



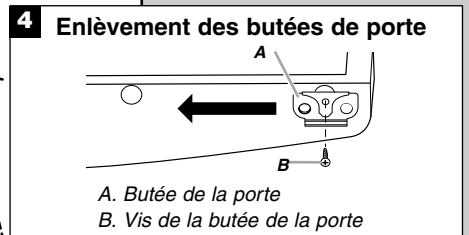
- A. Vis à épaulement
- B. Vis de blocage
- C. Vis de la poignée à tête plate



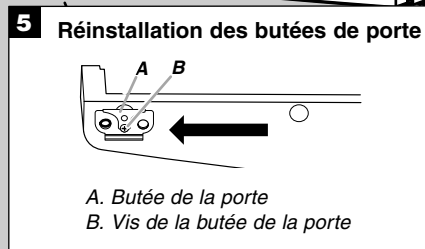
- A. Vis de la poignée à tête plate



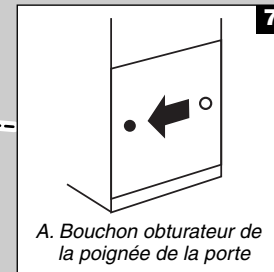
- A. Bouchons d'obturation de charnière de porte



- A. Butée de la porte
- B. Vis de la butée de la porte



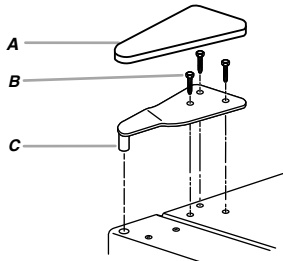
- A. Butée de la porte
- B. Vis de la butée de la porte



- A. Bouchon obturateur de la poignée de la porte

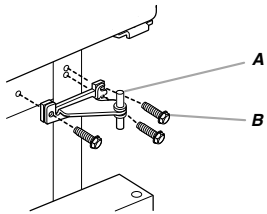
Démontage et réinstallation de la porte

Charnière supérieure



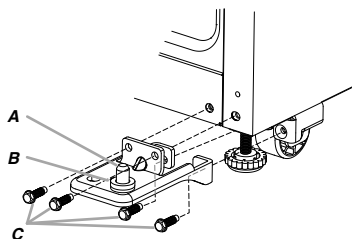
- A. Cache de charnière supérieure
- B. Vis de charnière à tête hexagonale de 5/16"
- C. Charnière supérieure

Charnière centrale



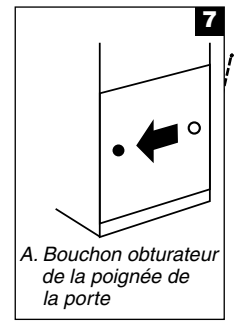
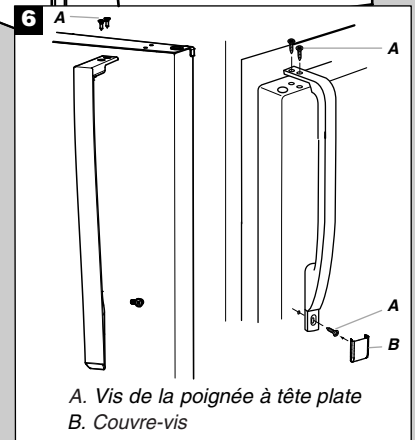
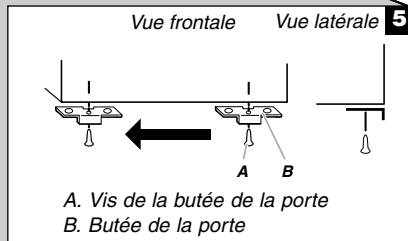
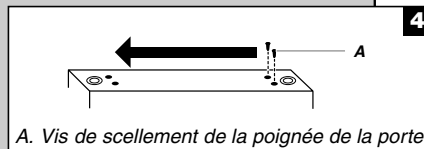
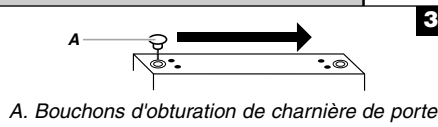
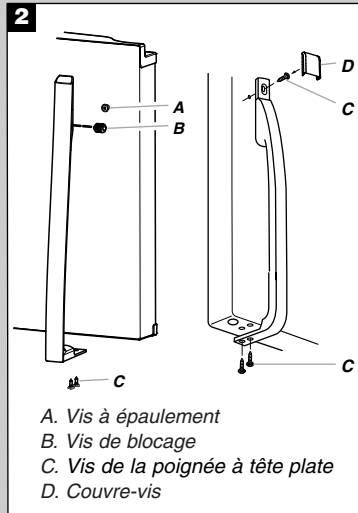
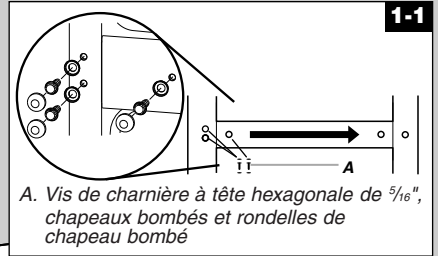
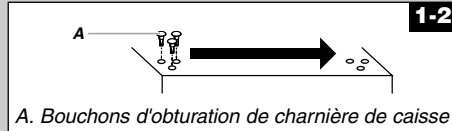
- A. Charnière centrale
- B. Vis de charnière à tête hexagonale de 5/16"

Charnière inférieure



- A. Charnière inférieure
- B. Rondelle
- C. Vis de charnière à tête hexagonale de 5/16"

Inversion du sens d'ouverture de la porte (facultatif)



Instructions pour l'ensemble d'inversion du sens d'ouverture

Si votre modèle vous a été fourni avec un ensemble d'inversion du sens d'ouverture de la porte, utiliser le gabarit de positionnement de l'insigne de la marque et les instructions suivantes pour installer l'insigne de la marque du côté opposé de la porte du congélateur.

Pièces fournies :

- Outil de retrait de l'insigne de la marque
- Gabarit de l'insigne de la marque (sur la dernière page des instructions d'utilisation)
- Bouchon obturateur de la poignée de la porte

Outils nécessaires :

- Ciseaux
- Ruban adhésif de masquage

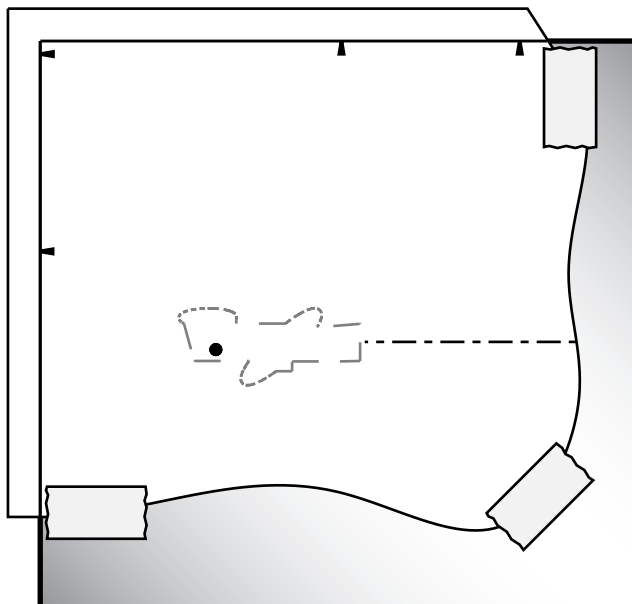
Porte du congélateur

1. À l'aide de l'outil de retrait (fourni), retirer l'insigne de la marque de la porte du congélateur en soulevant le côté droit et en décollant l'insigne de la porte, de droite à gauche.

REMARQUE : Afin d'éviter d'érafler la porte, ne pas utiliser d'objet pointu ou métallique pour arracher l'insigne de la marque de la porte.

2. Frotter une petite quantité de savon liquide à vaisselle sur les résidus d'adhésif avec les doigts. Rincer la porte à l'eau tiède et sécher avec un chiffon doux.
3. Couper le gabarit le long des pointillés qui correspondent à la forme de l'insigne de la marque.
4. Aligner les bords du gabarit avec les parties latérale et supérieure de la porte du congélateur et fixer le gabarit sur la porte à l'aide de ruban adhésif.

REMARQUE : Une fois le gabarit correctement aligné, le trou dans la porte, à l'emplacement de la poignée, se trouvera dans l'ouverture découpée du gabarit, tel qu'illustré.



5. En utilisant cette ouverture comme guide, appuyer l'insigne de la marque sur la porte du congélateur, en veillant à ce que le trou soit entièrement recouvert.
6. Retirer lentement le gabarit.

Ajustement des portes

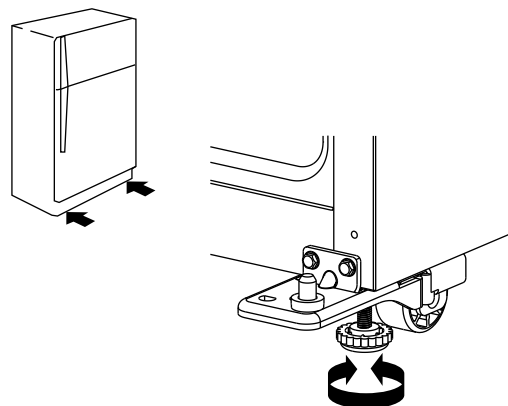
IMPORTANT : Votre réfrigérateur est en conformité avec les directives de la loi American Disabilities Act (ADA).

Fermeture des portes

Votre réfrigérateur comporte deux roulettes réglables, l'une à droite et l'autre à gauche. Si votre réfrigérateur semble instable ou si vous désirez que les portes se ferment plus facilement, régler l'inclinaison du réfrigérateur en suivant les instructions ci-dessous.

1. Tourner le pied de nivellement pour soulever ou abaisser tel côté du réfrigérateur. Plusieurs tours peuvent être nécessaires pour régler l'inclinaison du réfrigérateur.
 - Pour soulever le côté, tourner le pied de nivellement vers la droite.
 - Pour abaisser le côté, tourner le pied de nivellement vers la gauche.

REMARQUE : Si une autre personne pousse le haut du réfrigérateur, le poids devient moins lourd sur les vis de nivellement et les roulettes, ce qui rend plus facile l'ajustement des vis.



2. Ouvrir à nouveau les deux portes et vérifier que leur fermeture est aussi aisée que vous le souhaitez. Si ce n'est pas le cas, incliner le réfrigérateur un peu plus vers l'arrière en tournant les deux pieds de nivellement vers la gauche. Plusieurs tours seront peut-être nécessaires.

REMARQUE : Pour que le réfrigérateur soit d'aplomb, il faut appliquer le même nombre de tours aux deux pieds de nivellement.

3. À l'aide d'un niveau, s'assurer que le réfrigérateur est encore d'aplomb dans le sens transversal. Le réajuster au besoin.

Alignement des portes

Si l'espace entre les portes semble inégal, on peut faire le réglage en suivant les instructions ci-dessous :

1. En fonction de votre modèle, retirer le couvre-charnière de la charnière supérieure.
2. Desserrer les vis de la charnière supérieure à l'aide d'une douille de 5/16" ou d'une clé à molette.
3. Demander à une personne de tenir la porte en place ou placer une cale entre les portes pendant que l'on serre les vis de la charnière supérieure.
4. Réinstaller le couvre-charnière supérieur s'il a été retiré à l'étape 1.

CARACTÉRISTIQUES DU RÉFRIGÉRATEUR

Votre modèle peut comporter l'ensemble de ces caractéristiques ou certaines d'entre elles.

Importants renseignements à savoir au sujet des tablettes et des couvercles en verre :

Ne pas nettoyer les tablettes ou couvercles en verre avec de l'eau tiède quand ils sont froids. Les tablettes et les couvercles peuvent se briser s'ils sont exposés à des changements soudains de température ou à un impact tel que coup brusque. Le verre trempé est conçu pour éclater en d'innombrables pièces minuscules. Ceci est normal. Les tablettes et les couvercles en verre sont lourds. Les saisir à deux mains lors de leur dépose afin d'éviter de les faire tomber.

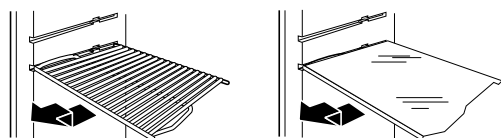
Tablettes du réfrigérateur

Les tablettes du réfrigérateur sont réglables pour s'adapter aux besoins de rangement de l'utilisateur.

Afin de pouvoir trouver plus facilement l'article que l'on cherche, on peut remiser ensemble des aliments semblables dans le réfrigérateur et régler les tablettes pour les adapter aux différentes tailles d'articles. Ceci réduira également la durée d'ouverture de la porte du réfrigérateur et permettra d'économiser de l'énergie.

Retrait et réinstallation de la tablette :

1. Retirer les articles de la tablette.
2. Retirer la tablette en la faisant glisser tout droit jusqu'à la butée.
3. Selon le modèle, soulever l'arrière ou l'avant de la tablette et la retirer au-delà de la butée. Retirer complètement la tablette en la faisant glisser entièrement hors des supports.
4. Réinstaller la tablette en réinsérant de nouveau l'arrière de la tablette dans la rainure de la paroi de la caisse.
5. Guider l'avant de la tablette dans la rainure de tablette. Veiller à insérer complètement la tablette.



Tiroir pour spécialités alimentaires

La conception du tiroir pour spécialités alimentaires permet d'en changer facilement la position.

Tiroir pour spécialités alimentaires

Repositionnement du tiroir pour spécialités alimentaires :

1. Retirer le tiroir pour spécialités alimentaires.
2. Retirer le couvercle et le placer entre les croisillons désirés.
3. Fixer les pattes de fixation arrière sur la tablette.
4. Réinstaller le tiroir pour spécialités alimentaires.

Retrait et réinstallation du tiroir pour spécialités alimentaires :

1. Retirer le tiroir pour spécialités alimentaires en le faisant glisser vers l'extérieur jusqu'à la butée.
2. Soulever l'avant du tiroir pour spécialités alimentaires d'une main tout en soutenant la partie inférieure du tiroir de l'autre main. Faire glisser le tiroir complètement vers l'extérieur.
3. Réinstaller le tiroir en le réinsérant complètement au-delà de la butée.

Couvercle du tiroir pour spécialités alimentaires

Retrait et réinstallation du tiroir pour spécialités alimentaires :

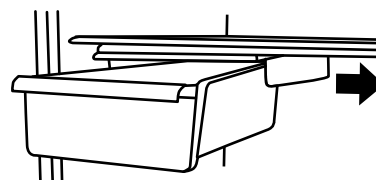
Style 1 - Clayettes

1. Retirer le tiroir pour spécialités alimentaires.
2. Repousser le couvercle vers l'arrière pour libérer les pattes de fixation arrière de la tablette. Soulever l'avant du couvercle et le tirer vers l'avant.
3. Réinstaller le couvercle du tiroir pour spécialités alimentaires en plaçant les encoches et les attaches du couvercle sur les croisillons centraux et arrière de la tablette.
4. Réinstaller le tiroir pour spécialités alimentaires.

Style 2 - Tablettes en verre

1. Retirer le tiroir pour spécialités alimentaires.
2. Retirer les articles de la tablette.
3. Retirer la tablette en la faisant glisser tout droit jusqu'à la butée.
4. Faire glisser le couvercle du tiroir pour spécialités alimentaires d'un côté jusqu'à ce qu'il se dégage.
5. Insérer le couvercle dans les rainures de tablette.
6. Repositionner la tablette dans le réfrigérateur puis réinstaller le tiroir pour spécialités alimentaires.

REMARQUE : Le tiroir à spécialités alimentaires peut être déplacé latéralement sur la tablette pour pouvoir en changer facilement la position.



Guide d'entreposage des viandes

La plupart des viandes peuvent être conservées dans leur emballage original tant que cet emballage est hermétique et à l'épreuve de l'humidité. Emballer de nouveau si nécessaire. Voir le tableau suivant pour les périodes de conservation. Si la viande doit être conservée pour une période plus longue que la durée donnée, faire congeler la viande.

Poissons ou crustacés frais..... consommer le jour de l'achat
Poulet, bœuf haché, abats comestibles (foie) 1 à 2 jours
Charcuterie, steaks/rôtis 3 à 5 jours
Viandes salaisonées..... 7 à 10 jours

Restes - Couvrir les restes avec de la pellicule en plastique ou du papier d'aluminium. Il est convenable aussi d'utiliser des contenants en plastique avec couvercle hermétique.

Bac à légumes

Bacs à légumes

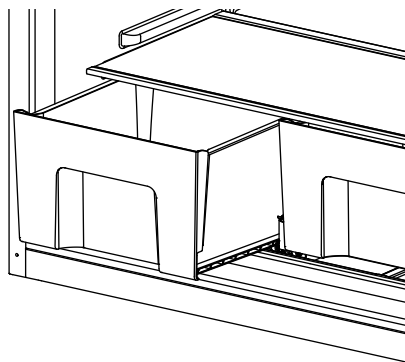
Retrait et réinstallation du bac à légumes :

1. Extraire le bac à légumes en le faisant glisser vers l'extérieur jusqu'à la butée. Soulever le devant et faire glisser le bac vers l'extérieur pour le retirer complètement.
2. Réinstaller le bac en le faisant glisser complètement à sa position au-delà de la butée.

Couvercle du bac à légumes

Dépose et réinstallation du couvercle du bac à légumes :

1. Retirer le/les bac(s) à légumes.
2. Tirer sur le couvercle en verre tout droit vers l'extérieur.
3. Réinstaller le couvercle en verre en le réinsérant.



Commande d'humidité

On peut contrôler le degré d'humidité dans le bac à légumes étanche. La commande peut être ajustée à n'importe quel réglage entre LOW (faible) et HIGH (élevée).

En position LOW (faible) (en position ouverte), le réglage laisse échapper l'air humide du bac à légumes pour mieux conserver les fruits et légumes à pelures.

- Fruits : Laver, laisser sécher et garder au réfrigérateur dans un sac en plastique ou dans le bac à légumes. Ne pas laver ni équeuter les baies avant le moment de leur utilisation. Répartir et garder les baies dans leur contenant original dans le bac à légumes ou les conserver sur une tablette du réfrigérateur dans un sac en papier fermé sans être serré.
- Légumes à pelure : Placer dans un sac ou un contenant en plastique et ranger dans le bac à légumes.

En position HIGH (élevé) (en position fermée), le réglage permet de retenir l'humidité à l'intérieur du bac à légumes pour mieux conserver les légumes à feuilles frais.

- Légumes à feuilles : Laver à l'eau froide, égoutter et couper ou éliminer les sections endommagées et décolorées. Placer dans un sac ou un contenant en plastique et ranger dans le bac à légumes.

CARACTÉRISTIQUES DU CONGÉLATEUR

Votre modèle peut comporter toutes les caractéristiques suivantes ou seulement certaines d'entre elles.

Importants renseignements à savoir au sujet des tablettes et des couvercles en verre :

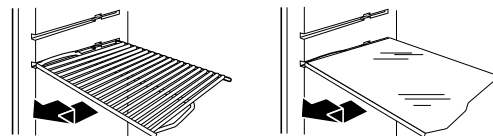
Ne pas nettoyer les tablettes ou couvercles en verre avec de l'eau tiède quand ils sont froids. Les tablettes et les couvercles peuvent se briser s'ils sont exposés à des changements soudains de température ou à un impact tel que coup brusque. Le verre trempé est conçu pour éclater en d'innombrables pièces minuscules. Ceci est normal. Les tablettes et les couvercles en verre sont lourds. Les saisir à deux mains lors de leur dépose afin d'éviter de les faire tomber.

Tablette du congélateur

Selon le modèle, la tablette peut être soit métallique soit en verre.

Retrait et réinstallation de la tablette :

1. Retirer les articles de la tablette.
2. Retirer la tablette en la faisant glisser tout droit jusqu'à la butée.
3. Selon le modèle, soulever l'arrière ou l'avant de la tablette et la retirer au-delà de la butée. Retirer complètement la tablette en la faisant glisser entièrement hors des supports.
4. Réinstaller la tablette en réinsérant de nouveau l'arrière de la tablette dans la rainure de la paroi de la caisse.
5. Guider l'avant de la tablette dans la rainure de tablette. Veiller à insérer complètement la tablette.



Guide de stockage des aliments surgelés

Les périodes de conservation varient selon la qualité et le type d'aliment, le type d'emballage et de pellicule utilisés (doivent être hermétiques et résistant à l'humidité) et la température de remisage. Bien fermer le sachet ou le récipient pour empêcher le transfert de goût et d'odeur dans le produit. Les cristaux de glace à l'intérieur d'un emballage scellé sont normaux. La présence de cristaux signifie simplement que l'humidité dans les aliments et l'air à l'intérieur de l'emballage se sont condensés.

Ne pas placer plus d'aliments non congelés dans le congélateur que la quantité qui congèlera dans l'intervalle de 24 heures (pas plus de 2 à 3 lb d'aliments par pied cube d'espace [907 à 1 350 g par L] dans le congélateur). Laisser assez d'espace dans le congélateur pour permettre la circulation d'air entre les emballages. S'assurer que la porte du congélateur est bien fermée.

REMARQUE : Pour plus de renseignements sur la préparation des aliments pour la congélation, consulter un guide pour congélateur ou un livre de recettes fiable.

CARACTÉRISTIQUES DE LA PORTE

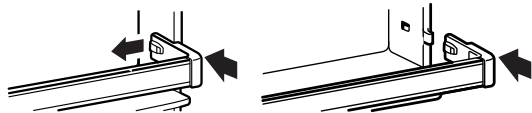
Votre modèle peut comporter l'ensemble de ces caractéristiques ou certaines d'entre elles.

Tringles de porte

Les tringles de porte peuvent être enlevées pour faciliter le nettoyage.

Pour retirer et réinstaller les tringles :

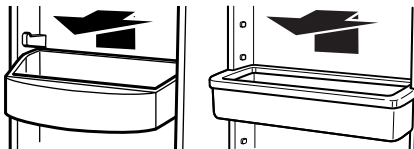
1. Selon votre modèle, retirer les tringles en poussant légèrement sur le devant de la bride tout en tirant sur la languette intérieure. Répéter ces étapes pour l'autre extrémité.
2. Réinstaller les tringles en alignant les extrémités des brides avec les boutons sur les côtés de l'intérieur de la porte. Enclencher fermement les brides et l'ensemble sur les tenons au dessus de l'étagère. Voir l'illustration.



Balconnets de porte

Retrait et réinstallation des balconnets :

1. Retirer le bac en le soulevant et en le tirant tout droit.
2. Réinstaller le bac en le faisant glisser au-dessus du support désiré et en l'enfonçant jusqu'à la butée.

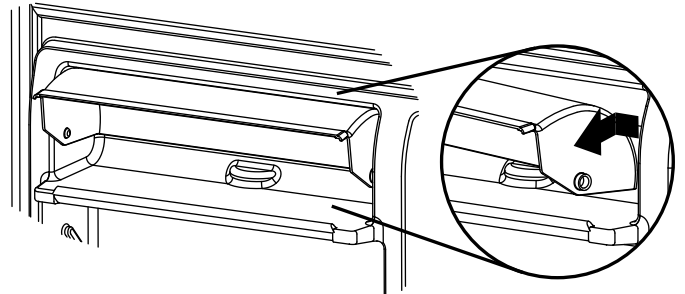


Compartment utilitaire

Le compartiment utilitaire peut être enlevé pour faciliter le nettoyage.

Retrait et réinstallation du compartiment utilitaire :

1. Retirer le compartiment utilitaire en pressant l'un des côtés tout en soulevant le compartiment utilitaire et en le tirant tout droit pour le dégager.
2. Réinstaller le compartiment utilitaire en plaçant un côté dans le mécanisme de verrouillage et en faisant coulisser l'autre côté en place jusqu'à la butée.



Brand Badge Placement Template / Gabarit de positionnement de l'insigne de la marque

