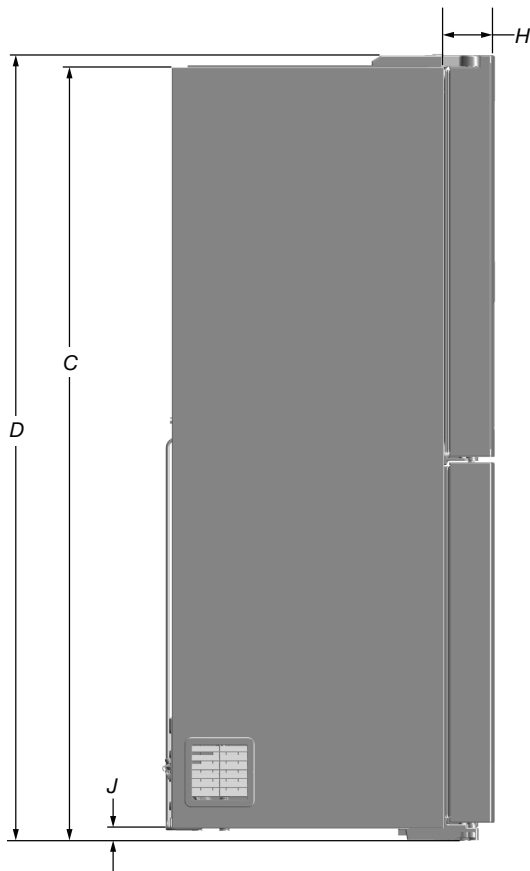
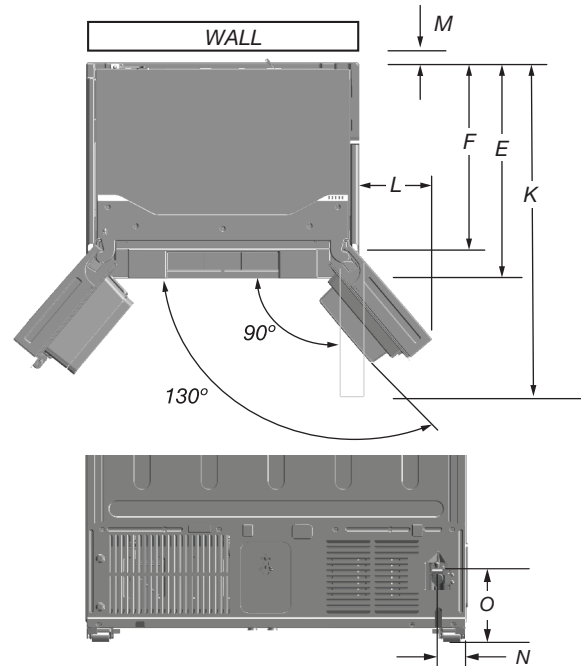


Description		Dimension
A	Freezer door height	31 ⁷ / ₈ " (809 mm)
B	Refrigerator door height	35 ¹ / ₂ " (902 mm)
C*	Height of recessed refrigerator	68 ¹ / ₂ " (1739 mm)
D*	Height of top of hinges	69 ¹ / ₂ " (1766 mm)
E	Depth with doors	29 ⁵ / ₁₆ " (745.3 mm)
F	Depth without doors	24 ⁷ / ₈ " (631.8 mm)
G	Cabinet width	35 ¹³ / ₁₆ " (909 mm)
H	Doors thickness	4 ⁷ / ₁₆ " (113.5 mm)
I	Doors width	17 ¹¹ / ₁₆ " (449.5 mm)
J*	Height of the cabinet wheels	1 ¹ / ₄ " (30 mm)
K	Depth with doors open 90°	43 ¹ / ₄ " (1099 mm)
L	Width of door fully open 130°	11 ⁹ / ₁₆ " (293.8 mm)
M	Space required for water lines and power cord	2" (50.8 mm)
N	Water line location distance from side	2 ¹¹ / ₁₆ " (68.5 mm)
O	Water line location distance from bottom	6 ⁷ / ₈ " (174.6 mm)

*Add 1/2" (12.7 mm) to height dimension when leveling legs are fully extended.




Interior Dimensions	Width	Height
Refrigerator Compartment	31 ¹ / ₂ " (802 mm)	31" (788 mm)
Freezer Compartment and Convertible Compartment	14 ³ / ₁₆ " (360.4 mm)	28" (711.2 mm)



Because Whirlpool Corporation policy includes a continuous commitment to improve our products, we reserve the right to change materials and specifications without notice. Dimensions are for planning purposes only. For complete details, see Installation Instructions packed with product. Specifications subject to change without notice.

Electrical Requirements

⚠ WARNING



Electrical Shock Hazard

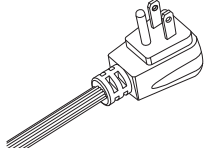
Plug into a grounded 3 prong outlet.

Do not remove ground prong.

Do not use an adapter.

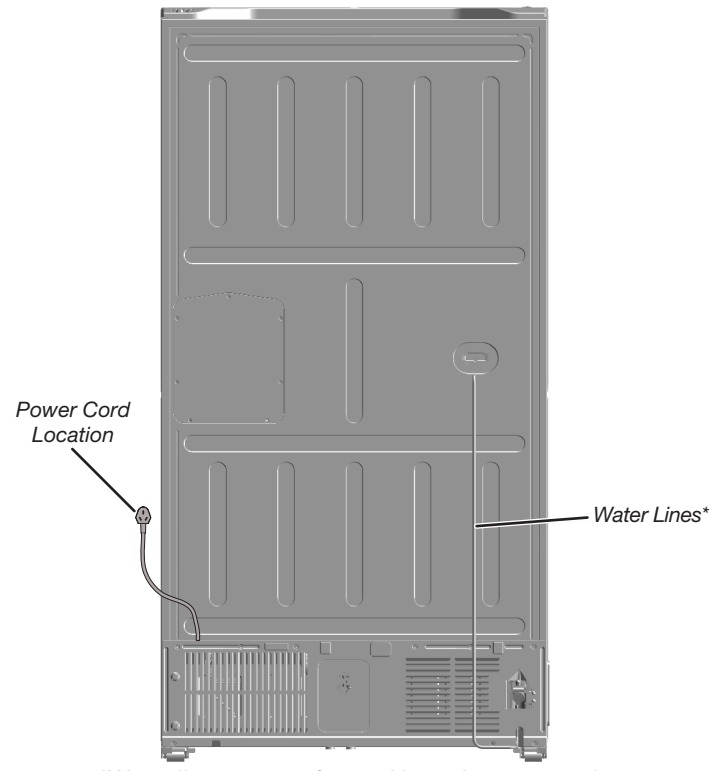
Do not use an extension cord.

Failure to follow these instructions can result in death, fire, or electrical shock.

	Power Cord		
	Type	Length	
		inches	mm
Standard	75 ⁵ / ₈	1920	

Electrical: A 115 V, 60 Hz AC only, 15 A or 20 A fused, grounded electrical supply is required. It is recommended that a separate circuit serving only your refrigerator be provided. Use an outlet that cannot be turned off by a switch. Do not use an extension cord.

Water: A cold water supply with water pressure of between 30 psi and 120 psi (207 kPa and 827 kPa) is required to operate the water dispenser and ice maker. If you have questions about your water pressure, call a licensed, qualified plumber.



*Water lines are not foamed in and are external.

Location Requirements

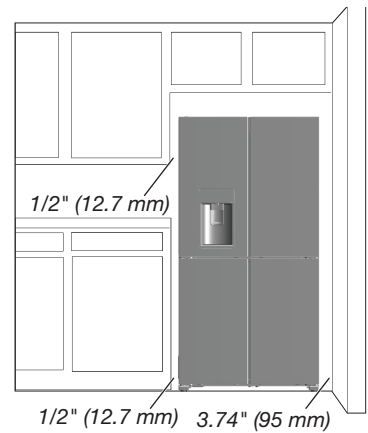
⚠ WARNING



Explosion Hazard

Keep flammable materials and vapors, such as gasoline, away from refrigerator.

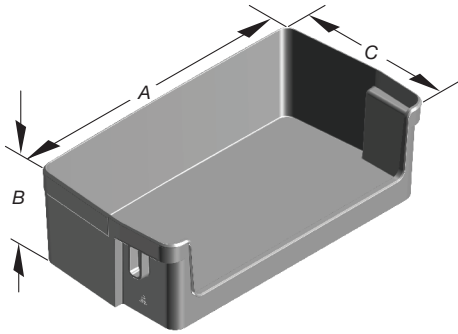
Failure to do so can result in death, explosion, or fire.



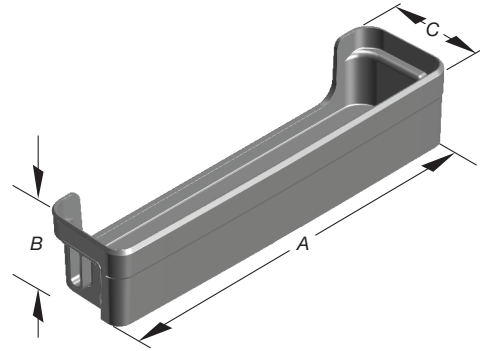
To ensure proper ventilation for your refrigerator, allow for a 1/2" (12.7 mm) space on each side and at the top. Allow for a 1.97" (50 mm) space behind the refrigerator. If your refrigerator has an ice maker, allow extra space at the back for the water line connections. When installing your refrigerator next to a fixed wall, leave a 3.74" (95 mm) minimum space between the refrigerator and wall to allow the door to swing open.

NOTE: This refrigerator is intended for use in a location where the temperature ranges from a minimum of 50°F (10°C) to a maximum of 110°F (43°C). The preferred room temperature range for optimum performance, which reduces electricity usage and provides superior cooling, is between 60°F (15°C) and 90°F (32°C). It is recommended that you do not install the refrigerator near a heat source, such as an oven or radiator.

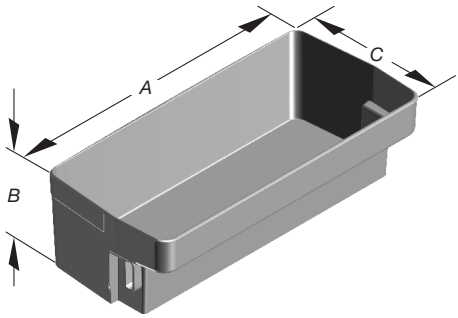
*Space from a side wall required to open the door at 118° and open the drawers and trays inside the bottom compartments.



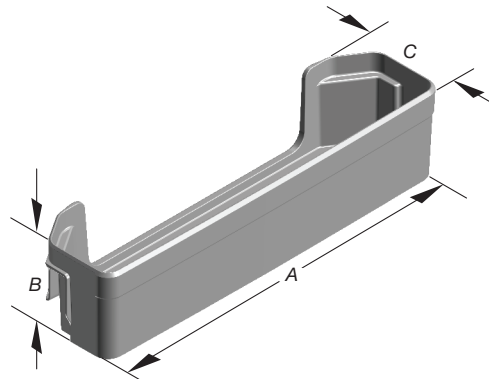
Gallon Bin



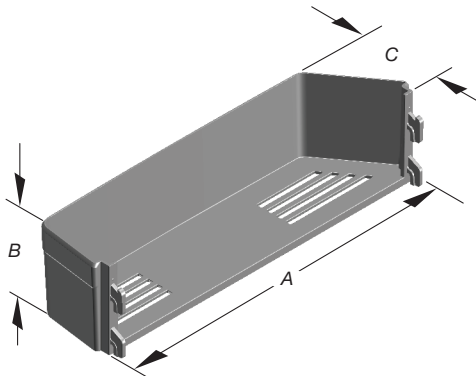
Ice Maker Bottom Door Bin



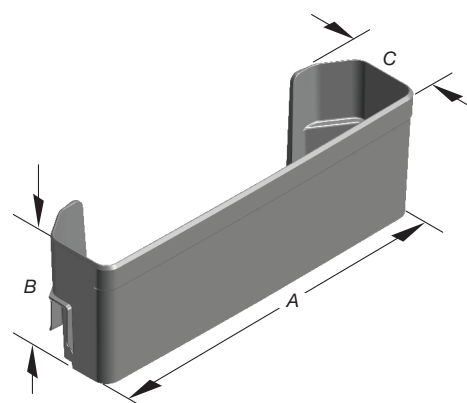
Refrigerator Door Bin



Freezer Door Bin

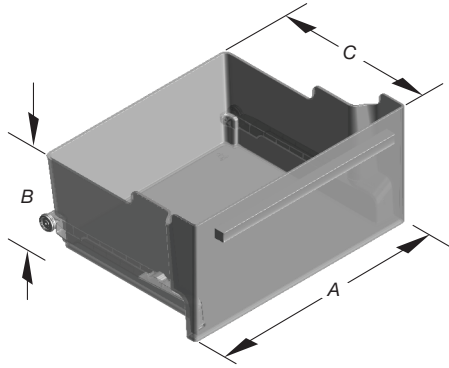


Ice Maker Top Door Bin

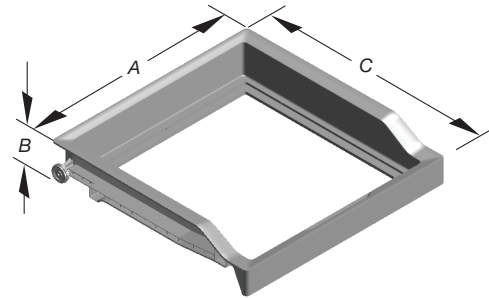


Freezer Pizza Door Bin

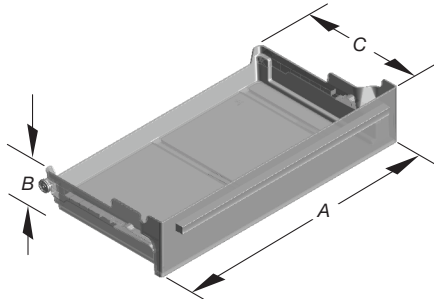
Refrigerator Compartment Features			
Description	A (width)	B (height)	C (depth)
Gallon Bin	12 ¹ / ₄ " (311.8 mm)	6 ⁹ / ₁₆ " (166 mm)	3 ¹¹ / ₁₆ " (94 mm)
Refrigerator Door Bin	12 ¹ / ₄ " (312 mm)	5 ⁷ / ₈ " (150 mm)	3 ¹¹ / ₁₆ " (94 mm)
Ice Maker Top Door Bin	12 ¹⁵ / ₁₆ " (328.3 mm)	3 ⁵ / ₈ " (91.5 mm)	3 ¹ / ₈ " (80 mm)
Ice Maker Bottom Door Bin	11 ¹³ / ₁₆ " (299.8 mm)	2 ¹⁵ / ₁₆ " (75 mm)	2 ³ / ₈ " (60 mm)
Freezer Door Bin	13 ¹ / ₁₆ " (332 mm)	3 ⁵ / ₁₆ " (84 mm)	2 ¹⁵ / ₁₆ " (75 mm)
Freezer Pizza Door Bin	13 ¹ / ₁₆ " (332 mm)	3 ⁵ / ₁₆ " (84 mm)	4 ⁵ / ₁₆ " (110 mm)



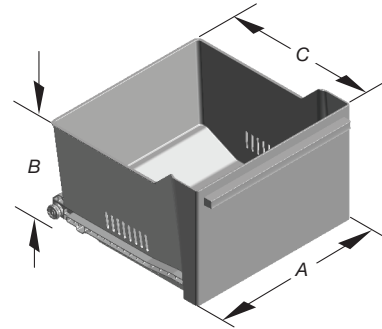
Refrigerator Crisper Drawer



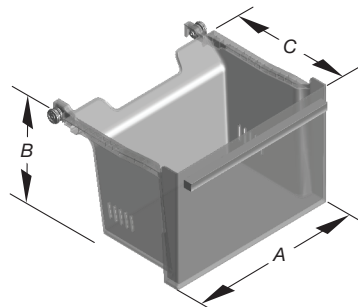
Freezer Pull Out Tray



Refrigerator Deli Drawer



Freezer Middle Drawer



Freezer Bottom Drawer

Description	A (width)	B (height)	C (depth)
Refrigerator Crisper Drawer	14 ¹⁵ / ₁₆ " (379.6 mm)	12 ⁷ / ₁₆ " (316 mm)	7 ¹ / ₈ " (181.2 mm)
Refrigerator Deli Drawer	22 ⁵ / ₁₆ " (566.3 mm)	12 ⁷ / ₁₆ " (316 mm)	4 ⁹ / ₁₆ " (116.5 mm)
Freezer Pull Out Tray	13 ³ / ₈ " (340.3 mm)	13 ¹ / ₄ " (337.2 mm)	2 ¹ / ₂ " (63 mm)
Freezer Middle Drawer	13 ³ / ₈ " (340.3 mm)	13 ⁷ / ₈ " (352.6 mm)	8 ¹¹ / ₁₆ " (221 mm)
Freezer Bottom Drawer	13 ³ / ₈ " (340.3 mm)	12 ³ / ₈ " (314.5 mm)	8 ¹¹ / ₁₆ " (221 mm)