

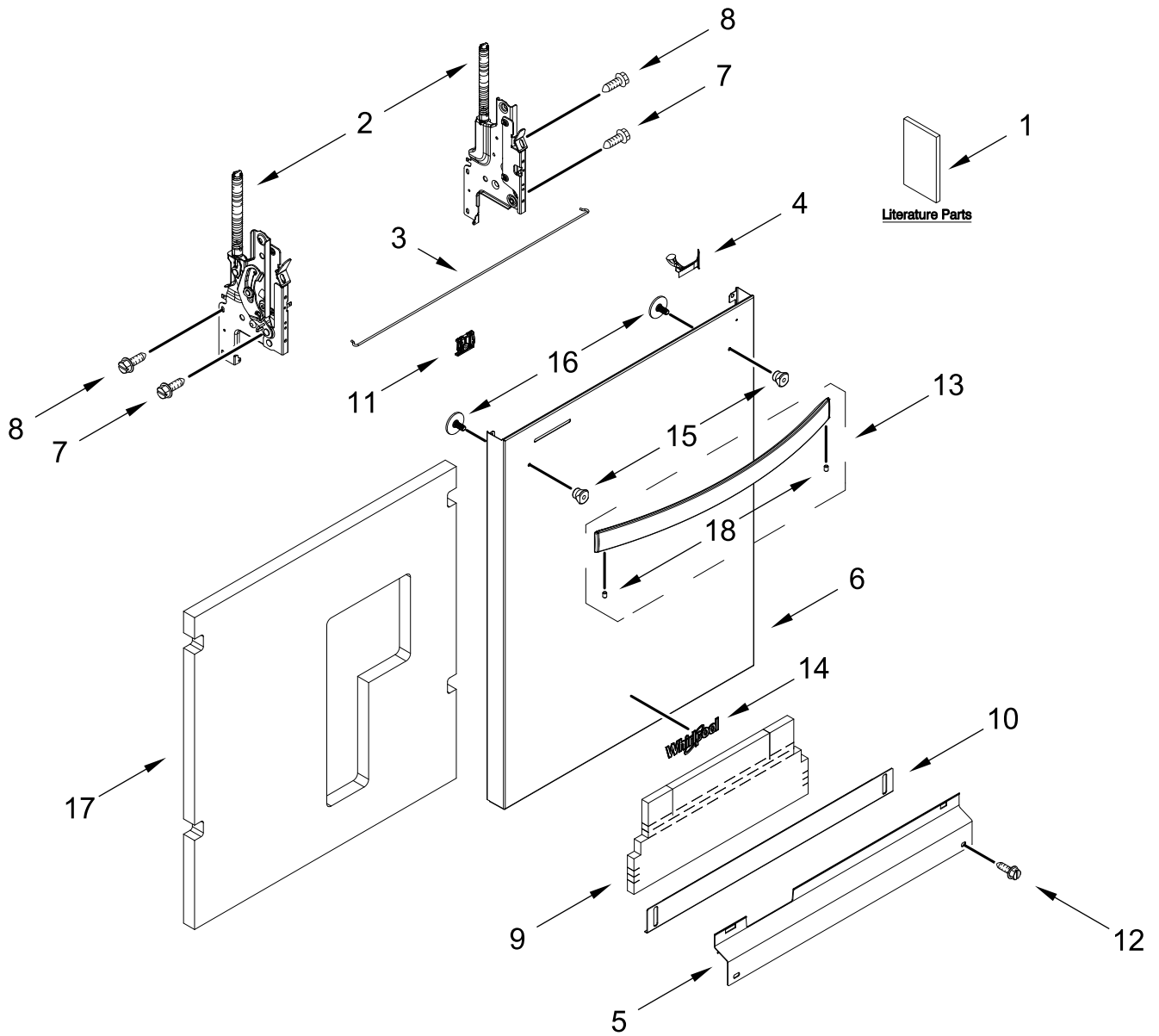


**Dishwasher**

**MODELS:**

WDTS7024RZ0 (Stainless)

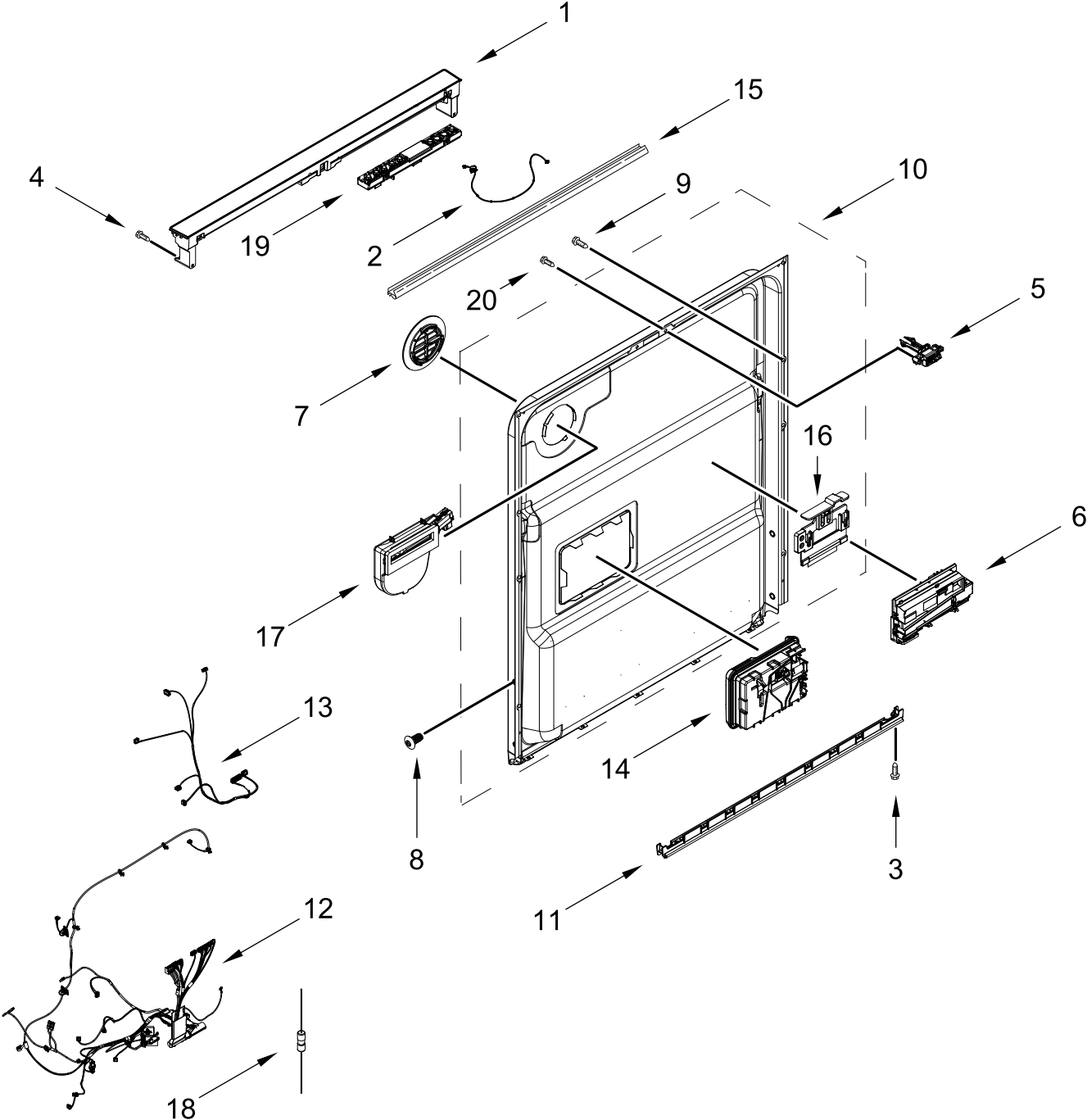
# DOOR AND PANEL PARTS



# DOOR AND PANEL PARTS

| <u>Illus.</u><br><u>No.</u> | <u>Part No.</u> | <u>Description</u> | <u>Illus.</u><br><u>No.</u> | <u>Part No.</u> | <u>Description</u>                   | <u>Illus.</u><br><u>No.</u> | <u>Part No.</u> | <u>Description</u>      |
|-----------------------------|-----------------|--------------------|-----------------------------|-----------------|--------------------------------------|-----------------------------|-----------------|-------------------------|
| 1                           |                 | Literature Parts   | 6                           |                 | Panel, Front (Includes<br>4,11 & 14) | 13                          |                 | Handle                  |
|                             | W11323304       | Owners Manual      |                             |                 |                                      |                             | W11554913       | Stainless               |
|                             | W11730657       | Energy Guide       |                             | W11340871       | Stainless                            | 14                          | W10884775       | Badge                   |
|                             | W11366143       | Tech Sheet         | 7                           | 3400000         | Screw                                | 15                          | W11049903       | Stud, Mounting          |
| 2                           |                 | Arm, Hinge         | 8                           | W11364953       | Screw                                | 16                          | W10316572       | Screw                   |
|                             | W11662392       | Left Hand          | 9                           | W11038694       | Insulation, Single<br>Layer          | 17                          | W10919859       | Insulation, Front Panel |
|                             | W11662370       | Right Hand         |                             |                 |                                      | 18                          | W10693137       | Screw, Set              |
| 3                           | W11377160       | Cross Brace, Door  | 10                          |                 | Toe Panel                            |                             |                 |                         |
|                             |                 |                    |                             | W11467733       | Black                                |                             |                 |                         |
| 4                           | W11102920       | Light Pipe         | 11                          | W10692757       | Barrel Nut, Front Panel              |                             |                 |                         |
| 5                           |                 | Access Panel       |                             |                 |                                      |                             |                 |                         |
|                             | W11108979       | Black              | 12                          | W11438978       | Screw, Black                         |                             |                 |                         |

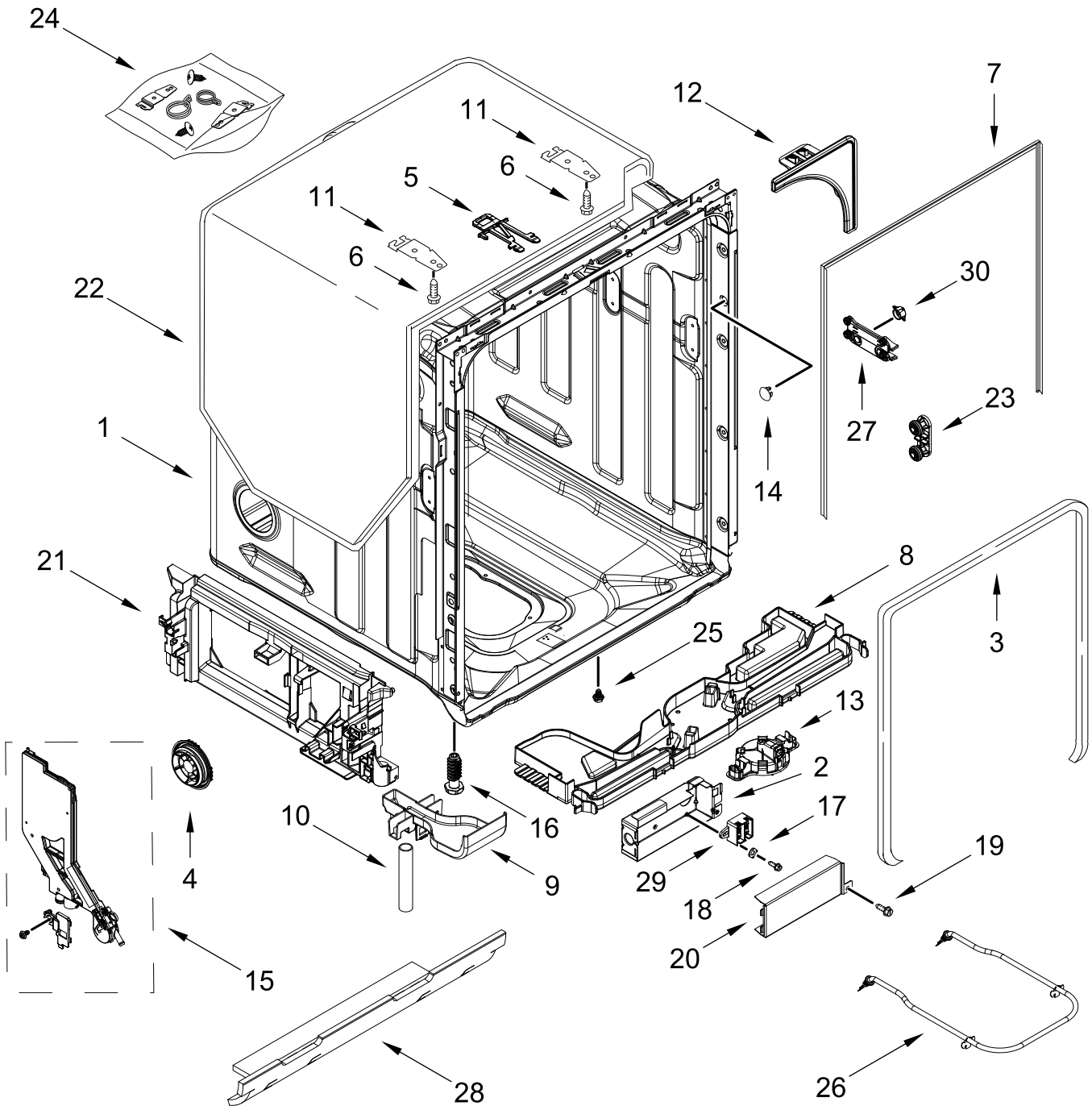
# CONTROL PANEL AND INNER DOOR PARTS



# CONTROL PANEL AND INNER DOOR PARTS

| <u>Illus. No.</u> | <u>Part No.</u> | <u>Description</u>                  | <u>Illus. No.</u> | <u>Part No.</u> | <u>Description</u>                                      | <u>Illus. No.</u> | <u>Part No.</u> | <u>Description</u> |
|-------------------|-----------------|-------------------------------------|-------------------|-----------------|---|-------------------|-----------------|--------------------|
| 1                 |                 | Console Cap                         | 8                 | 3400071         | Screw   | 15                | W11050927       | Seal, Console/Door |
|                   | W11491730       | Black                               | 9                 | W10348409       | Screw   | 16                | W11088985       | Hanger, Control    |
| 2                 | W11084865       | Jumper, Door                        | 10                | W11098822       | Inner Door Assembly                                     | 17                | W11527847       | Vent Assembly      |
| 3                 | W11258418       | Screw                               | 11                | W11563231       | Seal, Door Bottom                                       | 18                | W11397505       | Fuse, In-line      |
| 4                 | W10711884       | Screw<br>(Long)                     | 12                | W11649432       | Wiring Harness, Main<br>(Includes Thermostat<br>& Fuse) | 19                | W11131369       | Housing, UI        |
| 5                 | W11091934       | Latch Assembly<br>(Includes Switch) | 13                | W11084845       | Wiring Harness, Inner<br>Door                           | 20                | W10348408       | Screw              |
| 6                 | W11591752       | Control, Electronic                 | 14                | W11092649       | Dispenser Assembly                                      |                   |                 |                    |
| 7                 | W11025634       | Bezel, Vent                         |                   |                 |   |                   |                 |                    |

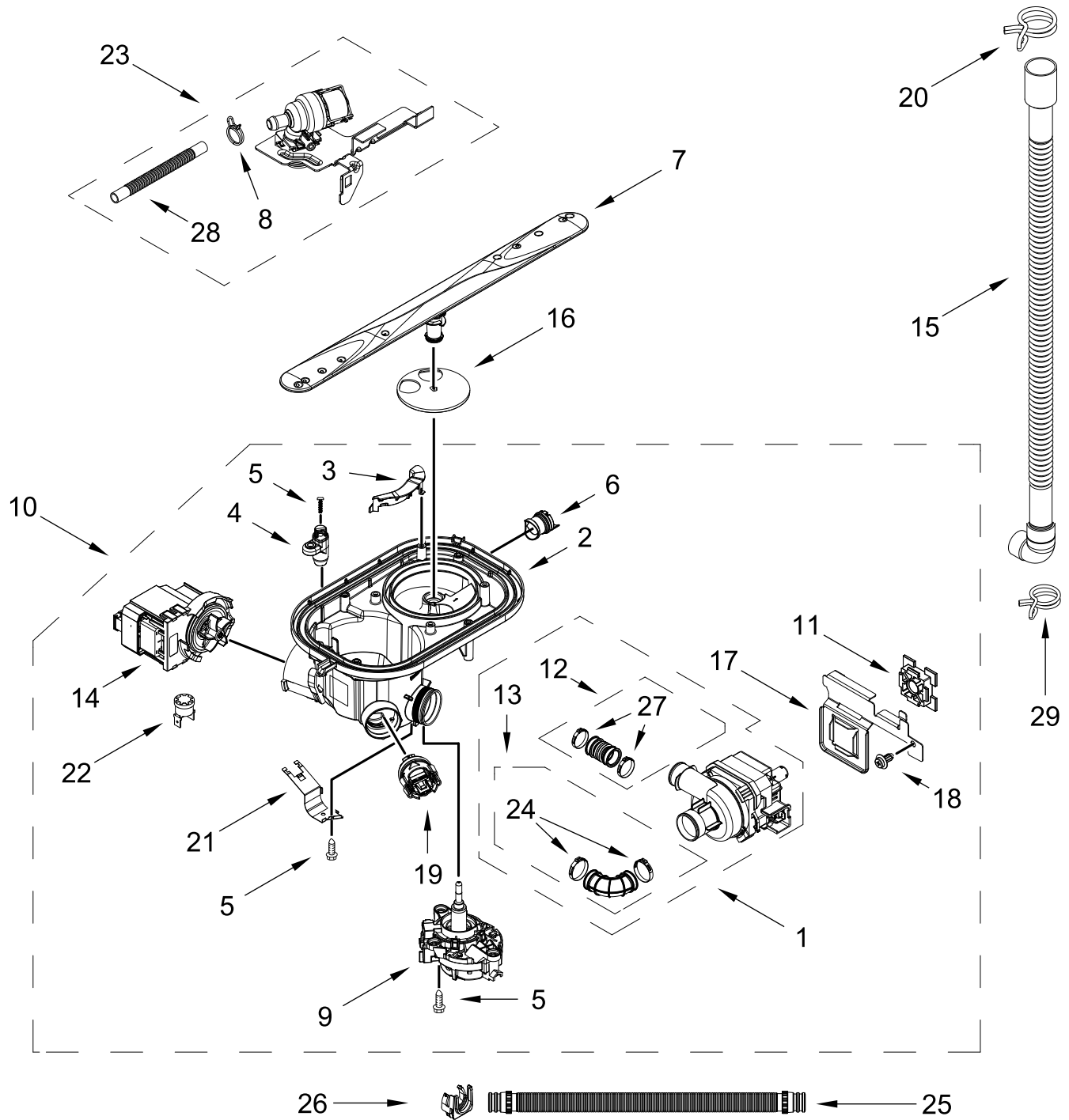
# TUB AND FRAME PARTS



# TUB AND FRAME PARTS

| <u>Illus.</u><br><u>No.</u> | <u>Part No.</u> | <u>Description</u>                | <u>Illus.</u><br><u>No.</u> | <u>Part No.</u> | <u>Description</u>   | <u>Illus.</u><br><u>No.</u> | <u>Part No.</u> | <u>Description</u>             |
|-----------------------------|-----------------|-----------------------------------|-----------------------------|-----------------|--|-----------------------------|-----------------|--------------------------------|
| 1                           | W11120458       | Tub Assembly<br>(includes gasket) | 15                          | W11429970       | Water Inlet Assembly   | 25                          | 3400892         | Screw                          |
| 2                           | W11226744       | Base, Terminal Box                | 16                          | W11455395       | Leg, Leveling  | 26                          | W11536143       | Heater Element<br>Assembly     |
| 3                           | W11035860       | Gasket, Tub                       | 17                          | 3378128         | Washer, Pronged Cup  | 27                          |                 | Tub Mount, Third Level<br>Rack |
| 4                           | W11429974       | Nut, Water Inlet                  | 18                          | 3400014         | Screw, Grounding   |                             |                 |                                |
| 5                           | W11090487       | Strike, Latch                     | 19                          | W10277003       | Screw  |                             | W11094449       | Left Hand                      |
| 6                           | W11296374       | Screw                             | 20                          | W11226746       | Cover, Terminal Box  |                             | W11256437       | Right Hand                     |
| 7                           | W11165091       | Seal, Cabinet                     | 21                          |                 | Side Support, Tub  | 28                          | W11393126       | Sound Insulation,<br>Bottom    |
| 8                           | W11025993       | Drip Tray                         |                             | W10920122       | Left Hand  |                             |                 |                                |
| 9                           | W11025986       | Funnel, Overfill<br>Protection    |                             | W10920120       | Right Hand   | 29                          | W11132441       | Terminal Block                 |
| 10                          | W11025988       | Funnel Extension                  | 22                          | W11158115       | Shield, Tub Sound  | 30                          | W10920244       | Nut, Tub                       |
| 11                          | 8269145         | Bracket, Undercounter             | 23                          | W11048217       | Tub Mount, Upper<br>Rack   |                             |                 |                                |
| 12                          | W11165093       | Cover, Tub Corner                 | 24                          | W11362500       | Miscellaneous Parts<br>Bag (Contains 2<br>Screws, 2 Clamps,<br>& 2 Brackets) |                             |                 |                                |
| 13                          | W11255994       | Float Switch                      |                             |                 |  |                             |                 |                                |
| 14                          | W11184083       | Plug, Tub                         |                             |                 |  |                             |                 |                                |

# PUMP, WASHARM AND MOTOR PARTS

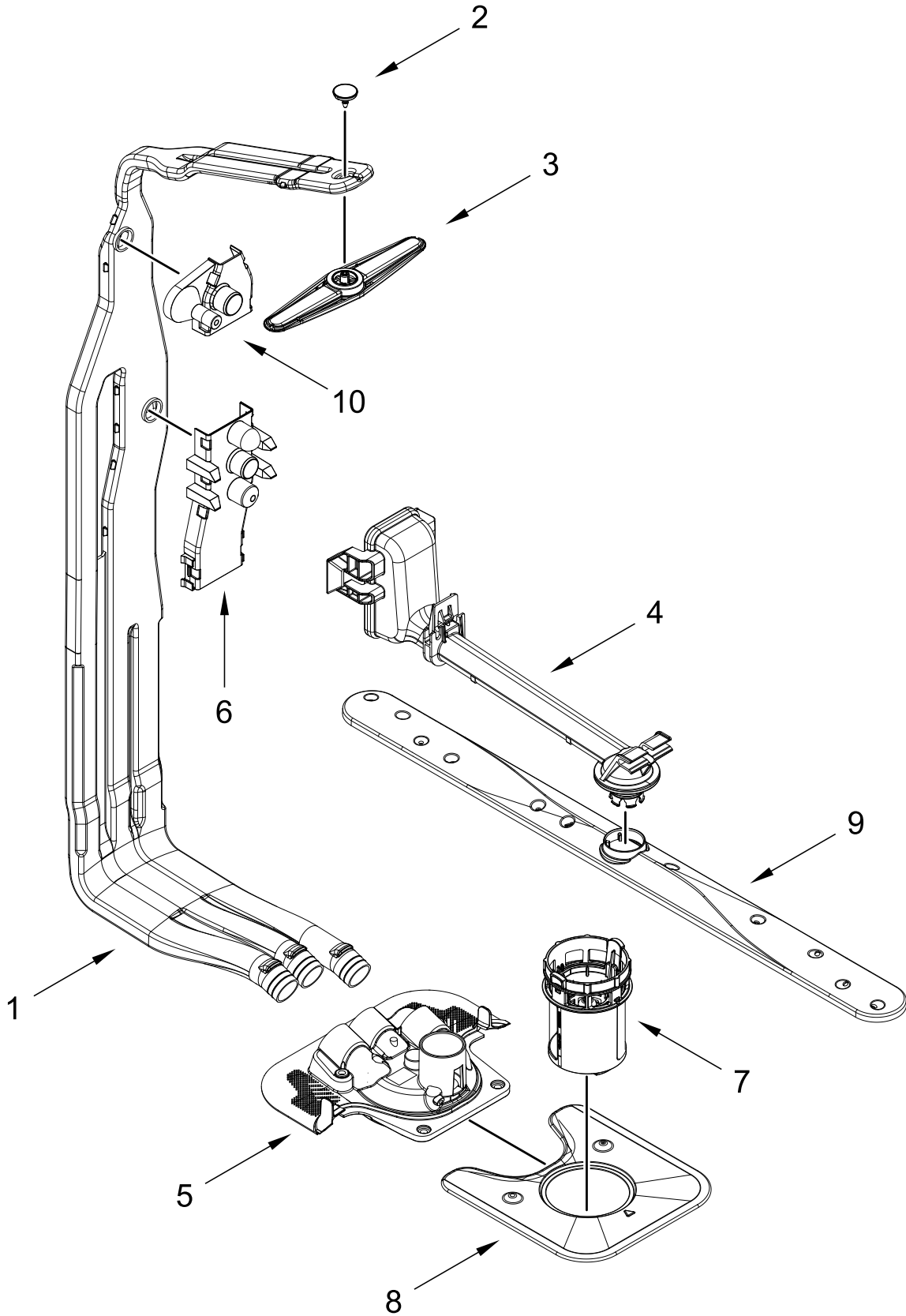




# PUMP, WASHARM AND MOTOR PARTS

| <u>Illus. No.</u> | <u>Part No.</u> | <u>Description</u>                          | <u>Illus. No.</u> | <u>Part No.</u> | <u>Description</u>      | <u>Illus. No.</u> | <u>Part No.</u> | <u>Description</u>                             |
|-------------------|-----------------|---|-------------------|-----------------|-------------------------|-------------------|-----------------|--|
| 1                 | W11048807       | Pump Assembly                               | 10                | W11243648       | Motor & Sump Assembly   | 20                | 370445          | Clamp, Hose                                    |
| 2                 | W11034554       | Sump with Seal<br>(Includes 3, 4, 5, 6 & 9) | 11                | W11036660       | Isolator, Rear Motor    | 21                | W11163419       | Bracket, Thermostat                            |
| 3                 | W10891543       | Diffuser, Inlet                             | 12                | W11250985       | Hose, Pressure          | 22                | W11193089       | Thermostat (Included with Main Wiring Harness) |
| 4                 | W11050773       | Drain Vent Assembly                         | 13                | W10900389       | Hose, Suction           | 23                | W11025970       | Fill Valve Assembly                            |
| 5                 | 9741232         | Screw                                       | 14                | W11193157       | Motor, Drain            | 24                | W11122851       | Clamp, Hose                                    |
| 6                 | W10891547       | Check Valve, Drain                          | 15                | W11131184       | Hose, Drain             | 25                | W11036159       | Hose   |
| 7                 | W11164607       | Wash Arm Assembly                           | 16                | W11175571       | Disc, Diverter          | 26                | W11036143       | Clip, Hose                                     |
| 8                 | 371505          | Clamp, Hose                                 | 17                | W11497568       | Bracket, Rear Motor     | 27                | W10466656       | Clamp, Hose                                    |
| 9                 |                 | Diverter Valve Motor (Not Serviced)         | 18                | W11418271       | Fastener                | 28                | W11036287       | Hose, Inlet                                    |
|                   |                 |   | 19                | W11126174       | Indicator, Optical Wash | 29                | W11236576       | Clamp, Hose                                    |

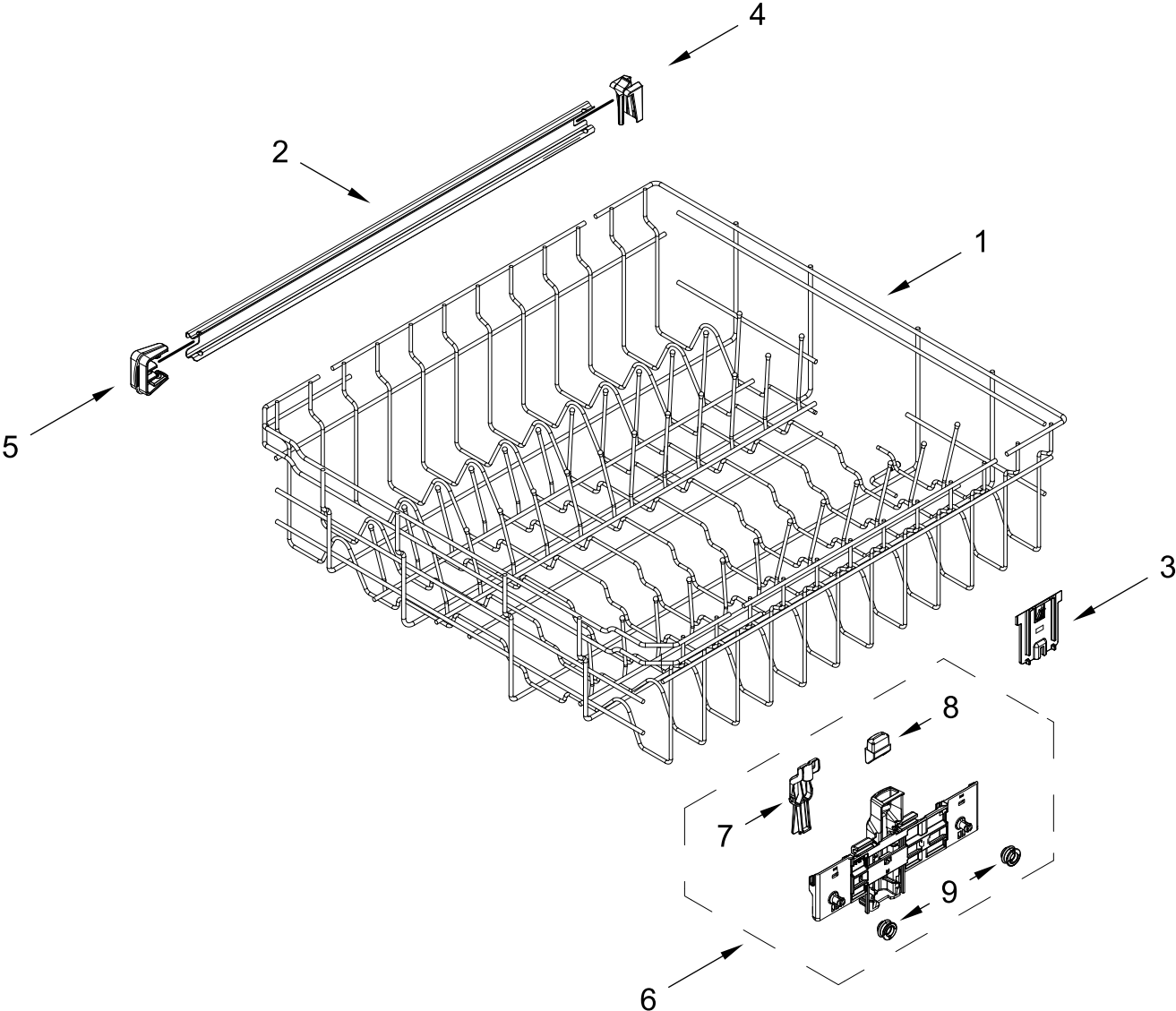
# UPPER WASH AND RINSE PARTS



# UPPER WASH AND RINSE PARTS

| <u>Illus.</u><br><u>No.</u> | <u>Part No.</u> | <u>Description</u>    | <u>Illus.</u><br><u>No.</u> | <u>Part No.</u> | <u>Description</u>               | <u>Illus.</u><br><u>No.</u> | <u>Part No.</u> | <u>Description</u>               |
|-----------------------------|-----------------|-----------------------|-----------------------------|-----------------|----------------------------------|-----------------------------|-----------------|----------------------------------|
| 1                           | W10872558       | Feed Tube Assembly    | 5                           | W10903465       | Cover, Diverter                  | 9                           | W11043437       | Sprayarm, Upper                  |
| 2                           | W11039888       | Retainer              | 6                           | W10892836       | Retainer, Docking<br>(2nd Level) | 10                          | W10892835       | Retainer, Docking (3rd<br>Level) |
| 3                           | W11039869       | Sprayarm, Third Level | 7                           | W10891533       | Filter                           |                             |                 |                                  |
| 4                           | W11043452       | Manifold              | 8                           | W10891539       | Screen                           |                             |                 |                                  |

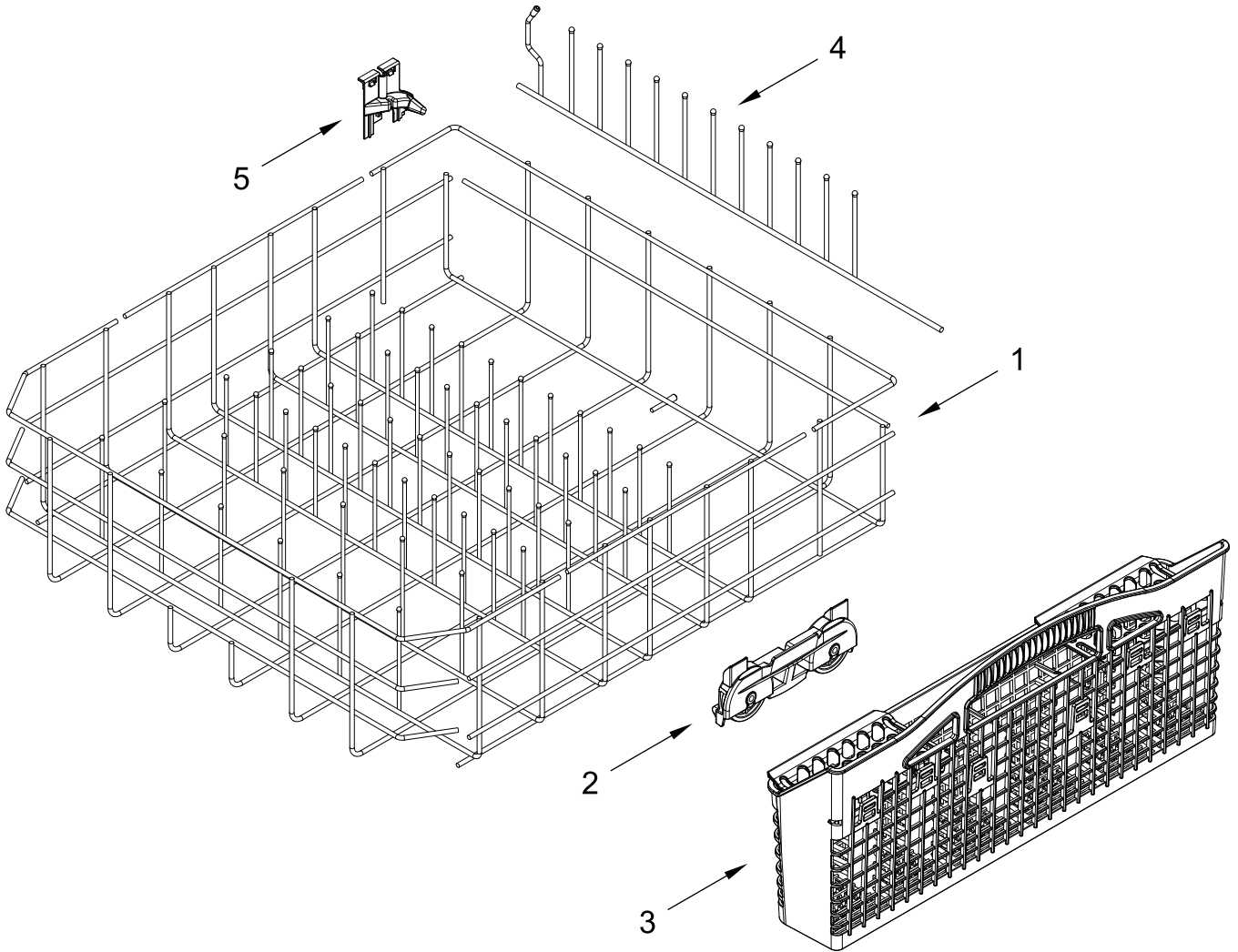
# UPPER RACK AND TRACK PARTS



# UPPER RACK AND TRACK PARTS

| <u>Illus.</u><br><u>No.</u> | <u>Part No.</u> | <u>Description</u> | <u>Illus.</u><br><u>No.</u> | <u>Part No.</u> | <u>Description</u> | <u>Illus.</u><br><u>No.</u> | <u>Part No.</u> | <u>Description</u>    |
|-----------------------------|-----------------|--------------------|-----------------------------|-----------------|--------------------|-----------------------------|-----------------|-----------------------|
| 1                           | W10847875       | Dishrack, Upper    | 5                           | W11084874       | Track Stop, Front  | 7                           | W11180178       | Leveler, Adjuster Arm |
| 2                           | W11441109       | Track, Dishrack    | 6                           |                 | Rack Adjuster      | 8                           | W11267702       | Button, Adjuster Arm  |
| 3                           | W11180605       | Clip, Adjuster Arm |                             | W11268105       | Left Hand          | 9                           | W11048219       | Wheel                 |
| 4                           | W11084872       | Track Stop, Rear   |                             | W11268101       | Right Hand         |                             |                 |                       |

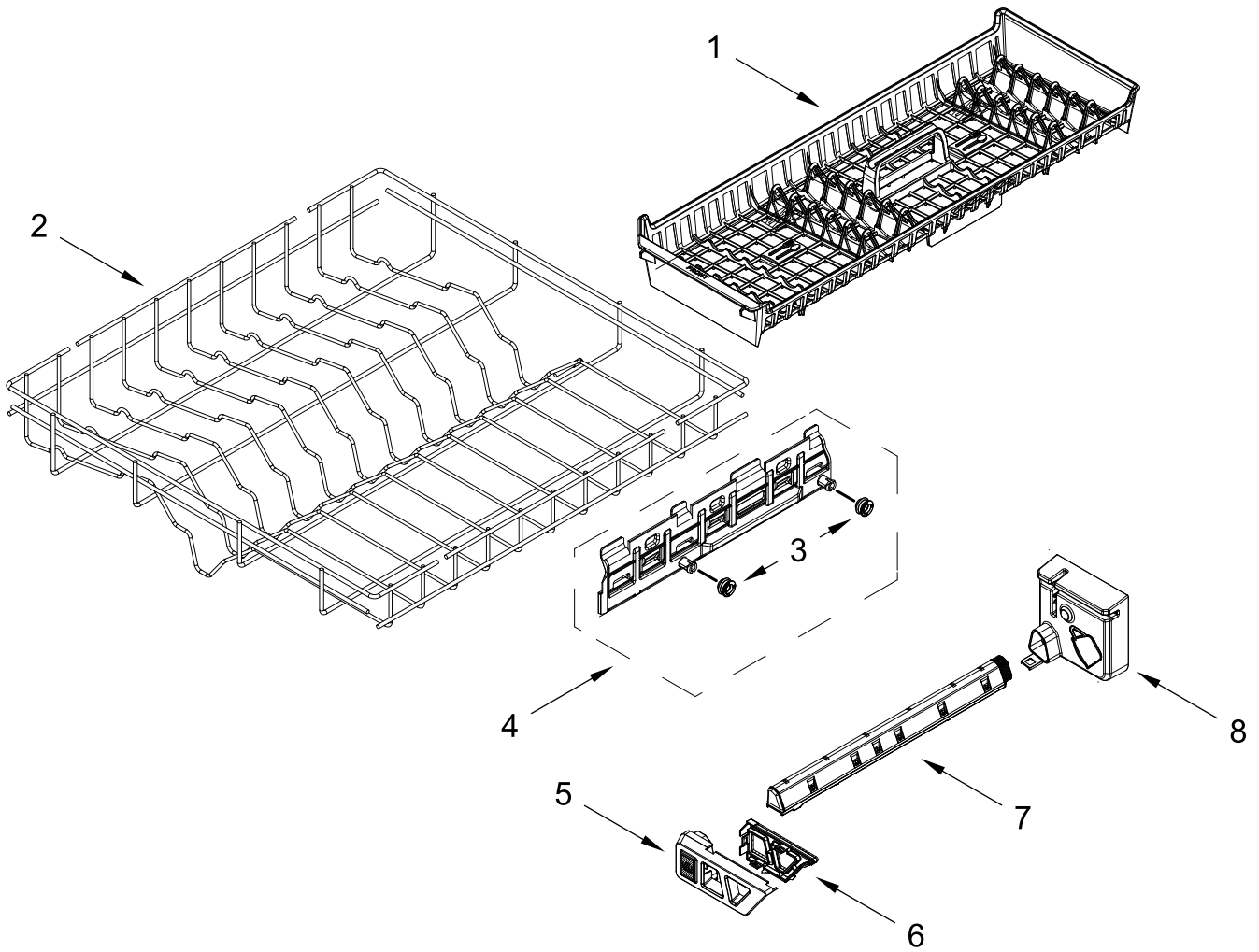
# LOWER RACK PARTS



# LOWER RACK PARTS

| <u>Illus.</u><br><u>No.</u> | <u>Part No.</u> | <u>Description</u>            | <u>Illus.</u><br><u>No.</u> | <u>Part No.</u> | <u>Description</u>                               | <u>Illus.</u><br><u>No.</u> | <u>Part No.</u> | <u>Description</u>  |
|-----------------------------|-----------------|-------------------------------|-----------------------------|-----------------|--|-----------------------------|-----------------|---------------------|
| 1                           | W10525646       | Dishrack, Lower               | 3                           | W11728229       | Silverware Basket<br>Assembly (includes<br>lids) | 4                           | W10056272       | Tine Row, Fold Down |
| 2                           | W11133747       | Wheel & Transport<br>Assembly |                             |                 |  | 5                           | W11268658       | Retainer, Flex Row  |

# THIRD LEVEL RACK AND TRACK PARTS





# THIRD LEVEL RACK AND TRACK PARTS

| <u>Illus.</u><br><u>No.</u> | <u>Part No.</u> | <u>Description</u> | <u>Illus.</u><br><u>No.</u> | <u>Part No.</u> | <u>Description</u>          | <u>Illus.</u><br><u>No.</u> | <u>Part No.</u> | <u>Description</u> |
|-----------------------------|-----------------|--------------------|-----------------------------|-----------------|-----------------------------|-----------------------------|-----------------|--------------------|
| 1                           | W11087823       | Silverware Tray    | 4                           |                 | Mount Assembly, Third Level | 5                           | W11175556       | Manifold, Front    |
| 2                           | W11127770       | Rack, Third Level  |                             |                 |                             | 6                           | W11324430       | Manifold, Rear     |
| 3                           | W11048219       | Wheel              |                             | W11231350       | Left Hand                   | 7                           | W11175552       | Tube, Wash         |
|                             |                 |                    |                             | W11231352       | Right Hand                  | 8                           | W11324432       | Manifold Assembly  |

# OPTIONAL PARTS (NOT INCLUDED)

| <u>Illus.</u><br><u>No.</u> | <u>Part No.</u> | <u>Description</u>                      |
|-----------------------------|-----------------|---|
|                             | 4396277         | Barrier Kit                             |
|                             | W11381654       | External Drain Hose,<br>12 FT           |
|                             | W11365011       | Power Cord Kit<br>(Straight)            |
|                             | W11365014       | Power Cord Kit (Right<br>Angle)         |
|                             | 4396672         | Strain Relief, Power<br>Cord (Metallic) |
|                             | W10685193       | Compression Hose<br>Fitting, Water Line |
|                             | W10278635RP     | Fill Hose Kit                           |