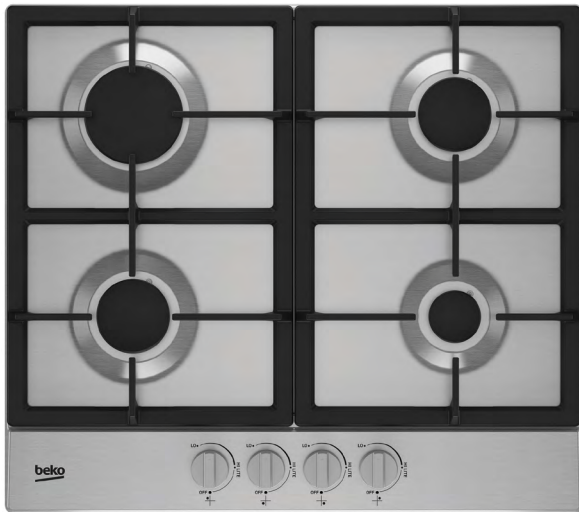


BCTG24400SS



24" Gas Cooktop



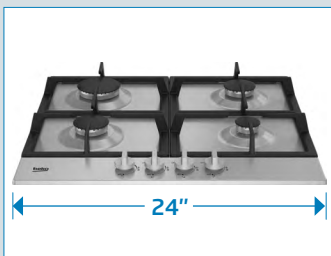
GENERAL PROPERTIES

Size	24"
Finish	Stainless Steel
Control Type	Knobs
Fuel Type	Natural Gas

FEATURES & PERFORMANCE

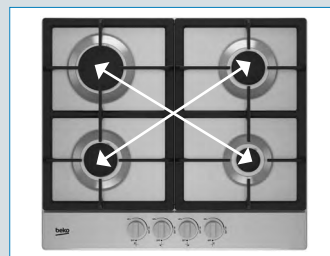
Burner Configuration	4 Sealed Burners
Front Left	7,000 BTU
Rear Left	10,000 BTU
Center	–
Front Right	3,500 BTU
Rear Right	7,000 BTU
High Output Power Burner	–
Simmer Function	–
Grates	Continuous Cast Iron*
Electric Ignition	Yes
Automatic Reignition	–

PREMIUM TECHNOLOGY



SPACE-SAVING DESIGN

The 24" cooktop is designed to fit small spaces like apartments and urban homes while delivering features to meet your everyday cooking needs.



CONTINUOUS CAST IRON GRATES

Move your pots and pans between burners easily with continuous grates.



INTEGRATED IGNITION

The cooktop features an integrated electric ignition. Simply turn the knob to Lite to ignite the flame.

*Hand wash only; grates are not dishwasher-safe

BCTG24400SS



24" Gas Cooktop

TECHNICAL INFORMATION

Total Gas Consumption (NG / LP)	27,000 / 23,500 BTU
Volts / Frequency	110-120 V, 60 Hz
Min. Circuit Breaker Size	15 A
Power Cord	Attached to Cooktop (6 ft., 3-Prong)

ACCESSORIES (INCLUDED)

LP Conversion Kit	Yes
-------------------	-----

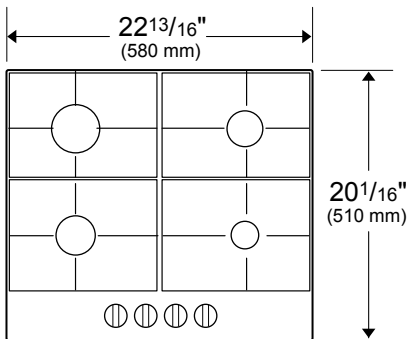
WARRANTY

Entire Appliance	2-Year Full Warranty
------------------	----------------------

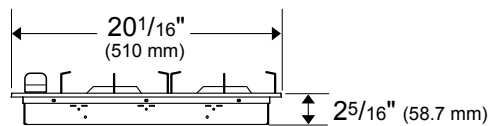
DIMENSIONS & WEIGHT

Product (H x W x D) (in)	2 5/16 x 22 13/16 x 20 1/16
Required Cutout Size (W x D) (in)	22 1/16 x 19 5/16
Carton (H x W x D) (in)	7 1/16 x 26 3/8 x 22 13/16
Product Weight (lbs)	25.35
Shipping Weight (lbs)	28.66

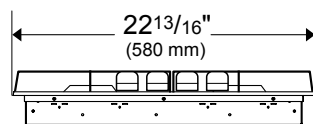
Top View



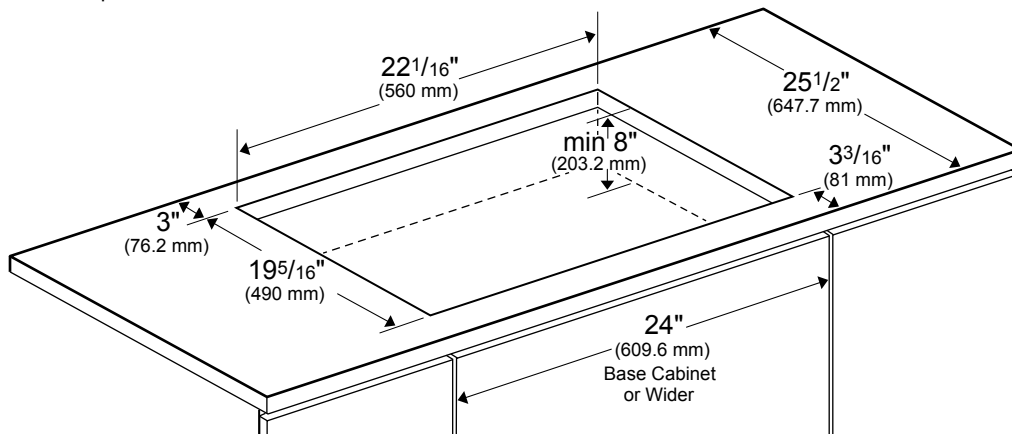
Side View



Front View



Countertop Cutout

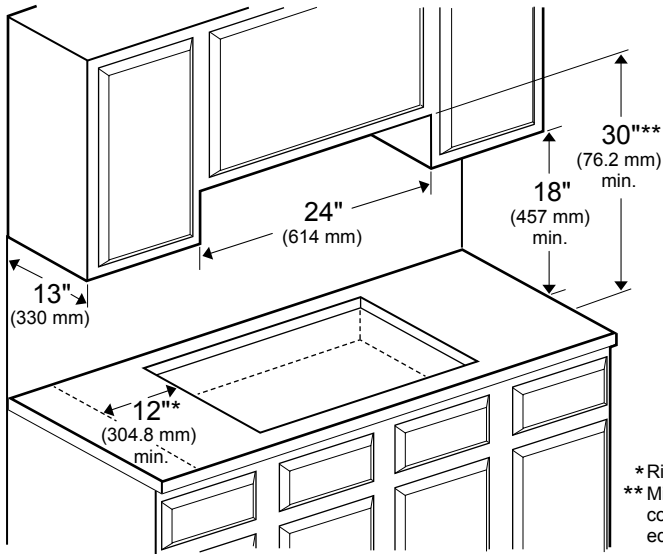


BCTG24400SS

24" Gas Cooktop

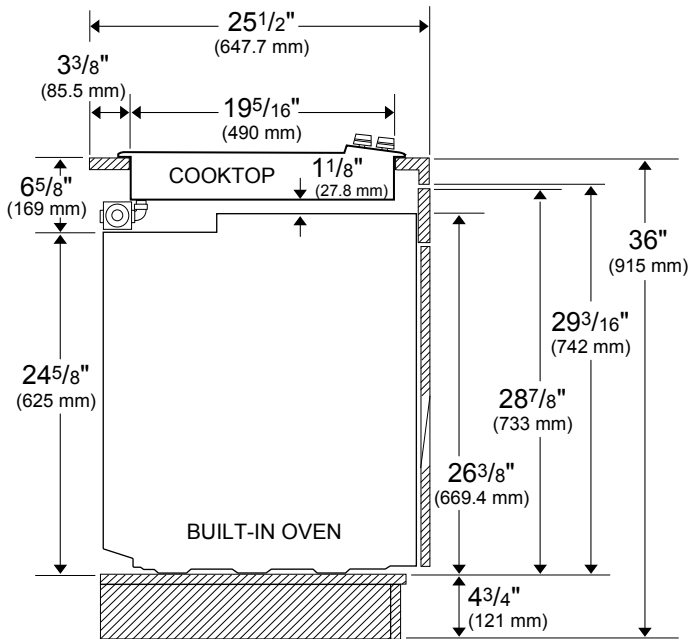


Clearances

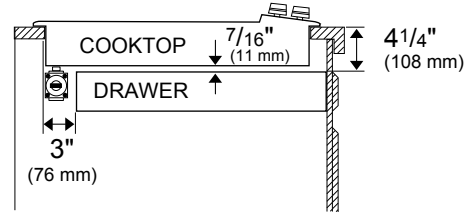


* Right and left sides
** Min. clearance between cooktop surface and lower edge of ventilation unit

Installation Above a Built-in Oven



Installation Above a Cabinet with Drawer



NOTE TO THE INSTALLER: All height, width, and depth dimensions are shown in inches (as well as metric). Beko U.S., Inc. reserves the absolute and unrestricted right to change product materials and specifications, at any time, without notice. Please visit our website, www.BekoAppliances.com, or call 888.352.2356 to verify the latest specifications with final dimensional data and other details prior to installation and making a cutout. Applicable product limited warranty information may be found in accompanying product materials, or you may contact your account manager for further details. Proper installation is the responsibility of the installer. Product failure due to improper installation is not covered under the Limited Warranty.