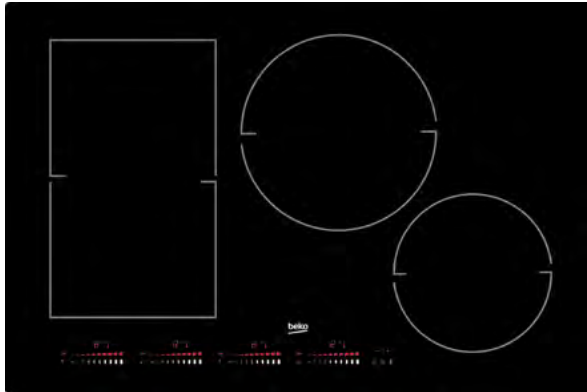


BCTI30410



30" Induction Cooktop



GENERAL PROPERTIES

Size	30"
Finish	Frameless Black Glass
Control Type	LED Display - Touch Slider
Display Lock	Yes
Control Lock	Yes
Fuel Type	Induction

FEATURES & PERFORMANCE

Cooking Levels	9
Zone Configuration	4 Induction
Front Left (Standard / Boost)	7" x 7-7/8" - 2,100 W / 3,700 W
Rear Left (Standard / Max. Boost)	7" x 7-7/8" - 2,100 W / 3,700 W
Center (Standard / Max. Boost)	-
Front Right (Standard / Max. Boost)	9" - 2,600 W / 3,700 W
Rear Right (Standard / Max. Boost)	11" - 2,600 W / 3,700 W
Boost and Double Boost Function	Yes
Bridge Function	Yes

PREMIUM TECHNOLOGY



INDUCTION COOKING

Induction technology provides fast and precise results by directly heating pots and pans instead of the cooktop surface



POWER BOOST

Add a boost or double boost of power so you can quickly heat a pan for searing or stir-frying, or boil water fast.



PRECISE TEMPERATURE CONTROL

9 cooking levels put you in control to boil water rapidly or delicately melt chocolate—plus everything in between.

BCTI30410



30" Induction Cooktop

FEATURES & PERFORMANCE CONTINUED

Keep Warm Function	Yes
Pan Detection	Yes
Residual Heat Indicators	Yes
Independent Zone Timers	Yes

TECHNICAL INFORMATION

Total Power Consumption	7,400 W
Volts / Frequency	240/208 V, 60 Hz
Min. Circuit Breaker Size	40 A
Electrical Connection	Flexible Conduit, 3-Wire or 4-Wire

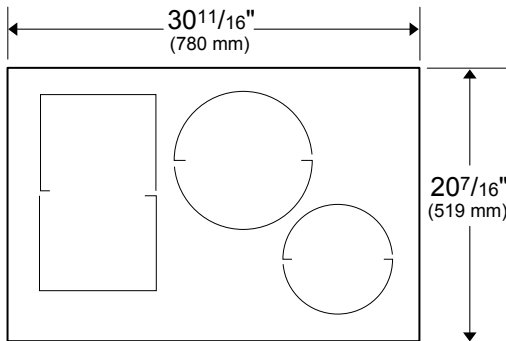
DIMENSIONS & WEIGHT

Product (H x W x D) (in)	2 3/8 x 30 11/16 x 20 7/16
Required Cutout Size (W x D) (in)	29 1/2 W x 19 5/16
Carton (H x W x D) (in)	4 3/4 x 31 1/2 x 23 5/8
Product Weight (lbs)	22.04
Shipping Weight (lbs)	26.46

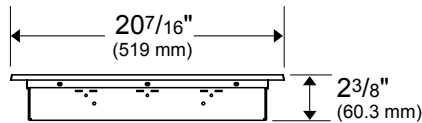
WARRANTY

Entire Appliance	2-Year Full Warranty
------------------	----------------------

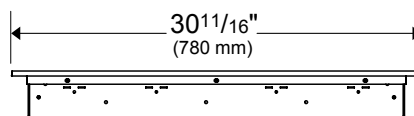
Top View



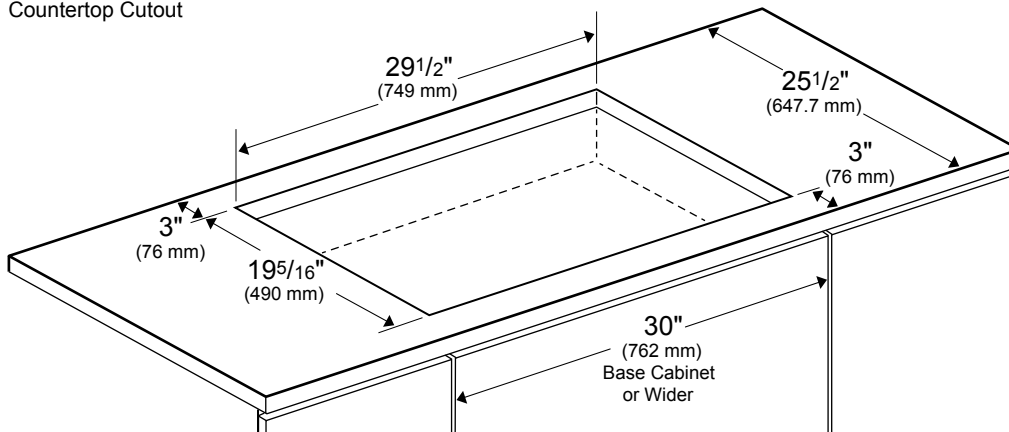
Side View



Front View

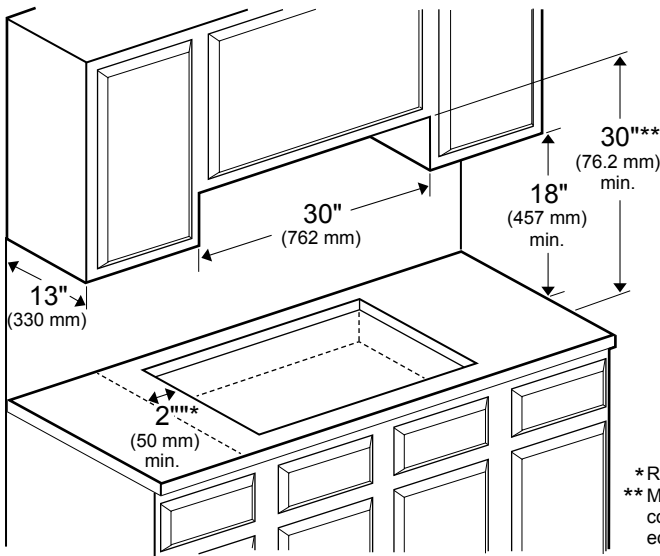


Countertop Cutout



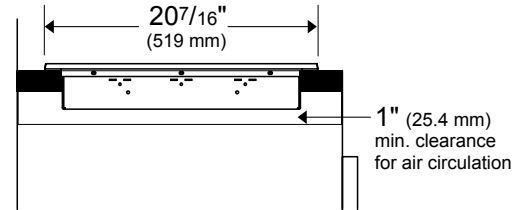
30" Induction Cooktop

Clearances

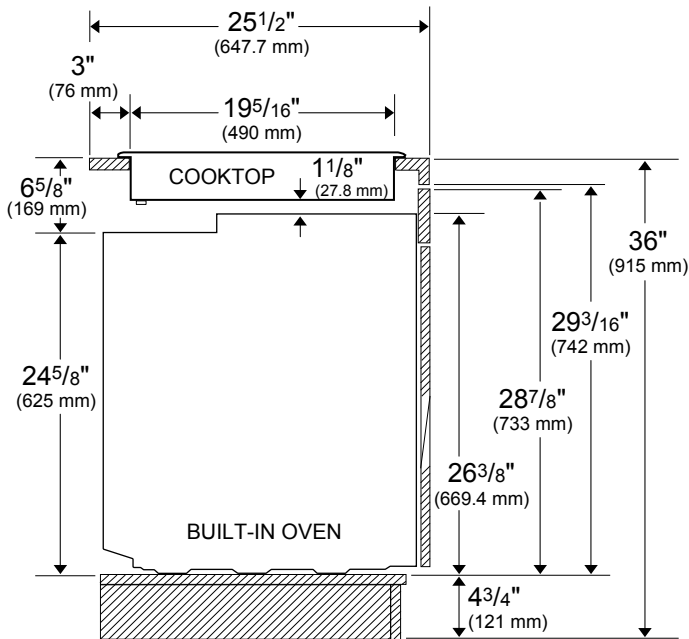


* Right and left sides
 ** Min. clearance between cooktop surface and lower edge of ventilation unit

Under Counter – Side View



Installation Above a Built-in Oven



NOTE TO THE INSTALLER: All height, width, and depth dimensions are shown in inches (as well as metric). Beko U.S., Inc. reserves the absolute and unrestricted right to change product materials and specifications, at any time, without notice. Please visit our website, www.BekoAppliances.com, or call 888.352.2356 to verify the latest specifications with final dimensional data and other details prior to installation and making a cutout. Applicable product limited warranty information may be found in accompanying product materials, or you may contact your account manager for further details. Proper installation is the responsibility of the installer. Product failure due to improper installation is not covered under the Limited Warranty.