

BUFR2715WH

28" Upright Freezer



GENERAL PROPERTIES

Type	Freestanding
Digital LED Display	Yes
Control System	Electronic, Adjustable
Finish	White
Field Reversible Door	Yes

CAPACITY

Total Net Volume	14.26 cu. ft.
------------------	---------------

PERFORMANCE

Freezer Temperature Range*	-11° F to 0° F
ENERGY STAR® Certified	Yes
Annual Energy Consumption	305 kWh/year
2020 ENERGY STAR® Emerging Technology Award	For the Advance Adaptive Compressors which help protect the environment while offering the consumer new ways to save energy while using low GWP refrigerant and foam.
Freeze Guard	Works in Temperatures between 5° F and 109° F
Modes	On/Off Power, Economy, Quick Freeze

*Actual temperatures may vary upon different options.



ENERGY STAR 2020
Emerging Technology Award

PREMIUM TECHNOLOGY

FREEZE GUARD

Beko freezer will work in ambient temperatures between 5°F and 109°F without any loss of performance at any pre-set temperature of the unit, thanks to effective usage of inverter compressor and electronic control technology.



EASY OPEN HANDLE

REMOVABLE DRAWERS



INTERIOR LED LIGHTING

BUFR2715WH

28" Upright Freezer



FEATURES	
Frost Free	Yes
Handle	Easy Open
Door Open Alarm	Yes
Electronic Display Child Lock	Yes
Condenser Type	Hidden
ProSmart Inverter Compressor	Yes
Interior Illumination	Interior LED Lighting
Number of freezer drawers	4
Number of total freezer compartments	8
Interior Door Bins	2
Number of glass shelves	4
Keylock Indicator	Yes
Power Failure Indicator	Yes

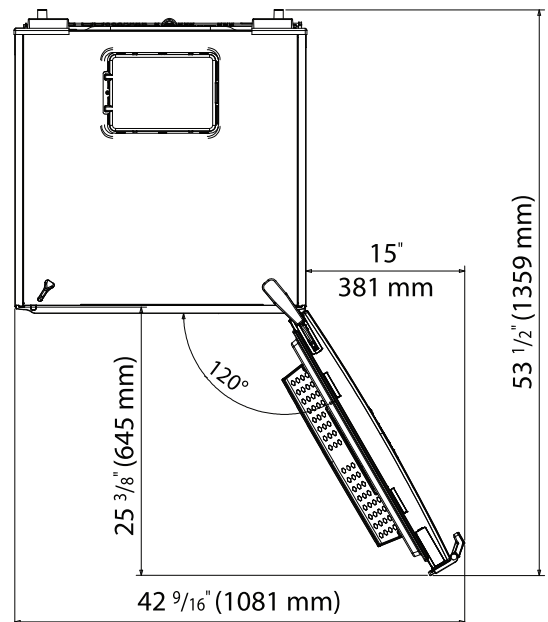
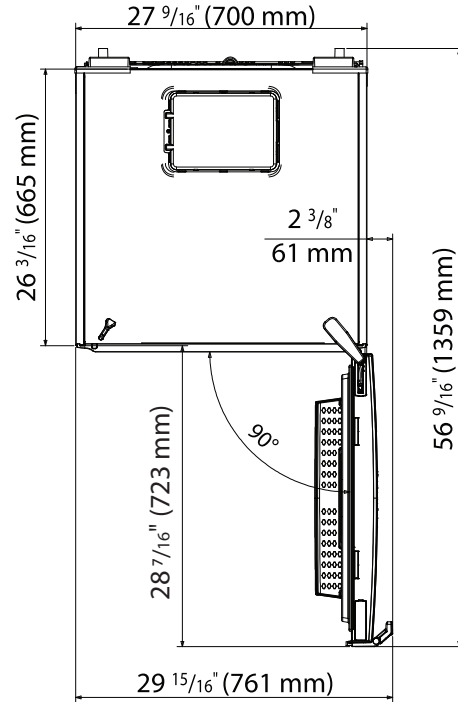
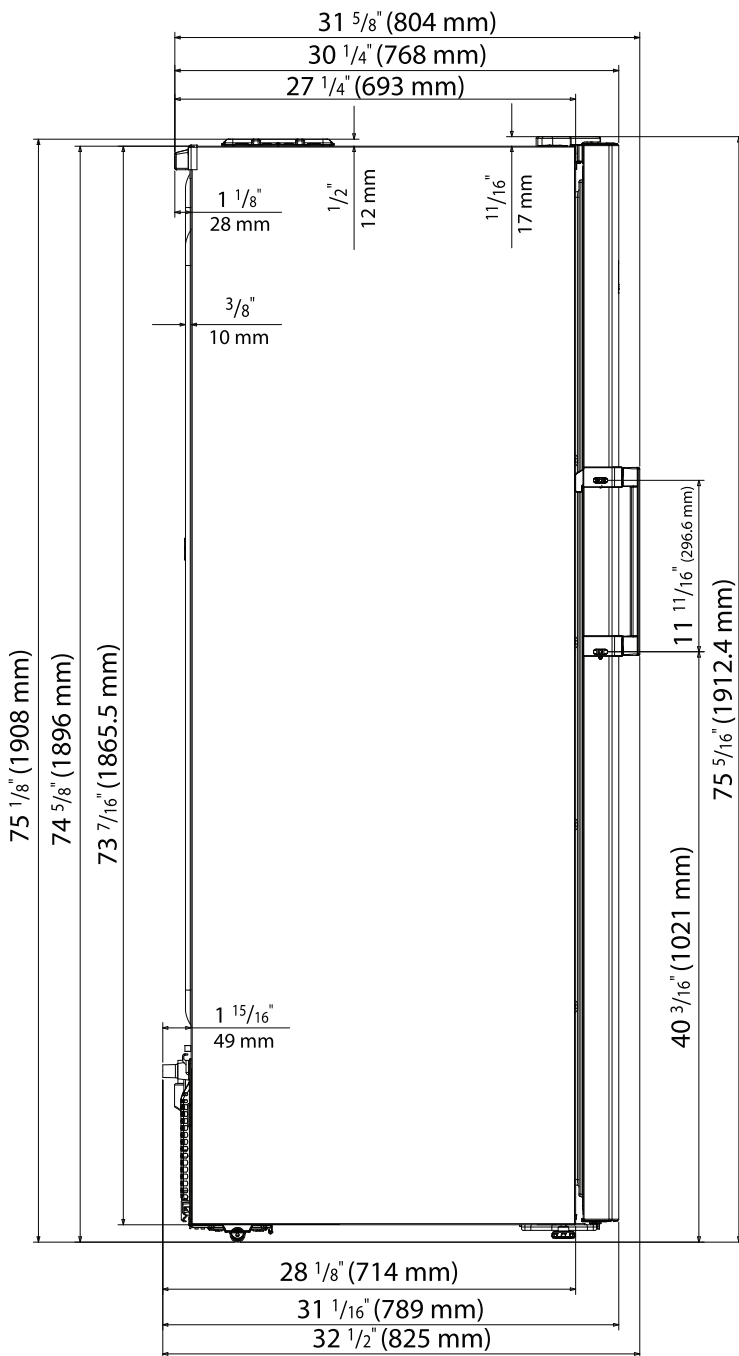
TECHNICAL INFORMATION	
Required Power Supply	120 V / 60 Hz
Rated Current	1 A
Noise Level	38 dBA
Refrigerant	R600a
Plug Type	NEMA 3-Prong
Power Cord Length	6 ft.

DIMENSIONS	
H x W x D (in)	75 ⁵ / ₁₆ x 27 ⁹ / ₁₆ x 30 ¹ / ₄
H x W x D (mm)	1912.4 x 700 x 768
Height with Hinge Cap (in)	75 ¹ / ₈
Width (in)	27 ⁹ / ₁₆
Depth with Handles (in)	31 ⁵ / ₈
Depth without Handles (in)	30 ¹ / ₄
Depth without Door (in)	27 ¹ / ₄
Product Weight (lbs)	196.2
Product Weight (kg)	87
Packed Weight (lbs)	213.8
Packed Weight (kg)	97

WARRANTY	
All Products	2 -year Full Warranty
Sealed System Parts Only	5-year Warranty
ProSmart Inverter Motor	10-year Warranty – parts only

BUFR2715WH

28" Upright Freezer



NOTE TO THE INSTALLER: All height, width, and depth dimensions are shown in inches (as well as metric). Beko U.S., Inc. reserves the absolute and unrestricted right to change product materials and specifications, at any time, without notice. Please visit our website, www.BekoAppliances.com, or call 888.352.2356 to verify the latest specifications with final dimensional data and other details prior to installation and making a cutout. Applicable product limited warranty information may be found in accompanying product materials, or you may contact your account manager for further details. Proper installation is the responsibility of the installer. Product failure due to improper installation is not covered under the Limited Warranty.