

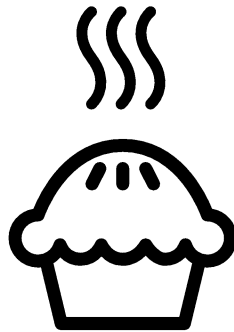


BUILT-IN DOUBLE OVEN

INSTALLATION MANUAL

IMPORTANT

Before beginning installation, read these instructions thoroughly and carefully. Observe all local and national codes, requirements, and ordinances. DO NOT remove permanently affixed labels, warnings, or plates from the product as this may void the warranty. Installers should leave these instructions with the consumer who should retain them for the local inspector's use and for future reference.



WOD30100SS-WOD30100CF

285.6002.66/R.AC/09.10.2023/3-1

7735687913/ 7735687921

BEFORE INSTALLATION

READ AND SAVE THESE INSTRUCTIONS

PLEASE READ THESE INSTRUCTIONS BEFORE USING THIS APPLIANCE.

Dear Valued Customer,

Thank you for your purchase - this appliance is intended for normal household use only. It is not approved for outdoor or other non-household uses (including sea or air-going vessels). See the Statement of Limited Warranty. If you have any questions, contact the manufacturer. Do not repair or replace any part of the appliance unless specifically recommended in this manual. Refer all servicing to a factory-authorized service center.

This appliance has been manufactured in modern facilities and passed through strict quality control procedures. To obtain the best performance with your product, we advise you to read through this installation manual carefully before installing your product.

PLEASE FOLLOW THESE IMPORTANT STEPS:

- Please read this installation manual carefully before installing the product.
- **ALWAYS** follow the recommended safety instructions.
- Keep the installation manual in an easily accessible place for future use.
- Please read all the other documents provided with the product.
- Please keep your receipt for any repairs which may be required under warranty.
- Upon delivery, please check that the appliance is not damaged. If you note any transport damage, please contact the shipping company or the company where you purchased the appliance immediately and do not connect/operate the appliance!
- If you pass on the appliance to another person, please provide all documents with it including original date of purchasing. (The warranty does not convey if the unit is sold.)

If you should decide not to use this appliance any longer (or decide to substitute an older model), before disposing of this appliance, it is recommended that it be made inoperative in an appropriate manner in accordance to health and environmental protection regulations, ensuring in particular that all potentially hazardous parts be made harmless, especially in relation to children who could play with old appliances.

TABLE OF CONTENTS

SAFETY INSTRUCTION	4
1.1 SAFETY INFORMATION	4
1.2 BASIC SAFETY INSTRUCTIONS.....	5
1.3 ELECTRICAL SAFETY	5
INTRODUCTION	8
SPECIFICATIONS	9
DIMENSIONS	10
CUTOUT DIMENSIONS	11
5.1 HIGH CUPBOARD INSTALLATION.....	11
5.2 FLUSH MOUNT INSTALLATION	12
INSTALLATION	13
6.1 ELECTRICAL REQUIREMENTS	13
6.2 UNPACKING	14
6.3 BEFORE INSTALLATION	15
6.4 INSTALLATION CONDITIONS.....	16
6.5 INSTALLATION	16
PREPARE FOR USE	21
7.1 SETTING THE TIME	21
7.2 SETTING CLOCK MODE (12HR OR 24HR)	23
7.3 CLEANING.....	23
7.4 INITIAL HEATING.....	24
7.5 PERFORMANCE CHECKLIST	24
7.6 SERVICE INFORMATION.....	24

1

SAFETY INSTRUCTION

SAVE THESE INSTRUCTIONS

**PLEASE READ THESE INSTRUCTIONS BEFORE
INSTALLING THIS APPLIANCE.**

This appliance is intended for normal household use only. It is not approved for outdoor or other non-household uses (including sea- or air-going vessels). See the Statement of Limited Warranty. If you have any questions, contact the manufacturer. Do not repair or replace any part of the appliance unless specifically recommended in this manual. Refer all servicing to a factory-authorized service center.

1.1 SAFETY INFORMATION

We have provided many important safety messages in this manual and on the appliance. **ALWAYS** read and obey all safety messages.

This is the safety alert symbol.



This symbol alerts you to hazards that can kill or hurt you and others. All safety messages will be preceded by the safety alert symbol and the word "DANGER", "WARNING", or "CAUTION". These words mean:

DANGER

**INDICATES A
HAZARDOUS
SITUATION WHICH, IF
NOT AVOIDED, WILL
RESULT IN DEATH OR
SERIOUS INJURY.**

WARNING

Indicates a hazardous situation which, if not avoided, could result in death or serious injury.

CAUTION

Indicates a hazardous situation which, if not avoided, could result in minor personal injury or product or property damage.

All safety messages will identify the hazard, describe how to reduce the chance of injury, and describe what can happen if the instructions are not followed.

SAFETY INSTRUCTION

WARNING

This product can expose you to chemicals including Nickel (Metallic) which is known to the State of California to cause cancer. For more information go to www.P65Warnings.ca.gov
Note: Nickel is a component in all stainless steel and some other metal components.

1.2 BASIC SAFETY INSTRUCTIONS

The manufacturer reserves the right to make changes to the technical specifications in order to improve the appliance quality without any prior notice. s included in this manual are for schematic purpose only and may not match exactly with your appliance. Values stated on the markings of the appliance or in other printed documents supplied with the appliance are obtained under laboratory conditions as per relevant standards. These values may vary according to the usage of the appliance and ambient conditions.

Proper Installation - Be sure your appliance is properly installed and grounded by a qualified technician.

WARNING

To avoid risk of serious injury or death, the oven should be installed by a qualified installer or technician.

DANGER

RISK OF SUFFOCATION BY THE PACKAGING MATERIALS! PACKING ELEMENTS (I.E., PLASTIC BAGS, POLYSTYRENE FOAM, NAILS, PACKING STRAPS, ETC.) SHOULD NOT BE LEFT AROUND WITHIN EASY REACH OF CHILDREN, AS THESE MAY CAUSE SERIOUS INJURIES OR DEATH.

1.3 ELECTRICAL SAFETY

If the supplied electrical cord is damaged, it must be replaced by a special cord or assembly from the manufacturer and installed by a qualified technician.

SAFETY INSTRUCTION

WARNING

To avoid risk of serious injury or death:

- Any additions, changes, or conversions required in order for this appliance to satisfactorily meet the application needs must be made by a qualified technician.
- Before performing any service, disconnect the power supply at the household distribution panel by removing the fuse or switching off the circuit breaker.
- Any work on electric equipment and systems may only be carried out by authorized qualified technicians.
- In the event the oven has been damaged, switch off the appliance and disconnect it from the main supply by removing the fuse or switching off the circuit breaker.
- **DO NOT** soak removable heating elements. Heating elements should never be immersed in water.

WARNING

To avoid risk of electrical shock, serious injury, or death:

- Verify electrical power is turned off at the breaker box until oven is installed and ready to operate.
- Only use the supplied cable to connect the electrical supply. If the cable is damaged or missing, contact your service agent or a qualified technician for a replacement.
- The cable for further replacements should correspond to the specifications listed in the installation manual.

SAFETY INSTRUCTION

CAUTION

To avoid risk of injury or product or property damage:

- Use two or more people or suitable lifting device when lifting appliance.
- Use only materials and finishes that will not discolor or delaminate and will withstand temperatures up to 194 °F (90 °C).
- The cooling fan should be operating when the unit is in operation. If you notice it is not, or you observe unusual or excessive noise, contact your authorized Beko dealer before continuing operation. Failure to do so can result in damage to the oven or surrounding cabinets.
- **DO NOT** use power tools to remove hardware. Damage to the hardware or the machine may occur. **DO NOT** lose hardware.
- **DO NOT** use this product in rooms unless equipped with properly adjusted and functioning Carbon Monoxide sensors. that are maintained. Carbon Monoxide sensors should be installed maximum 6.5 ft. away from the product.

CAUTION

To avoid risk of injury or product or property damage:

- **DO NOT** use power tools to remove hardware. Damage to the hardware or the machine may occur. **DO NOT** lose hardware.
- **DO NOT** use this product in rooms unless equipped with properly adjusted and functioning Carbon Monoxide sensors. that are maintained. Carbon Monoxide sensors should be installed maximum 6.5 ft away from the product.
- **DO NOT** let electrical supply cord come in contact with rear surface of oven or over hot cooking section. Avoid squeezing, bending or using clamps on the supply cord. If the electrical supply cord is damaged, it must be replaced.
- The use of cabinets for storage above the oven may result in a potential burn hazard. Combustible items may ignite, metallic items may become hot and cause burns.
- Ensure oven is installed and secured properly.

2

INTRODUCTION

This manual covers the WOD30100SS-WOD30100CF Built-In Wall Oven. Detailed information about the operation and cleaning of this machine can be found in the Use & Care Manual. Contact your salesperson or visit www.bekoappliances.com to obtain a copy.

All height, width, and depth dimensions are shown in inches (as well as metric). Beko US, Inc. reserves the absolute and unrestricted right to change product materials and specifications, at any time, without notice. Please visit our website www.bekoappliances.com or call 888-352-2356 to verify the latest specifications with final dimensional data and other details prior to installation and making a cutout. Applicable product limited warranty information may be found in accompanying product materials, or you may contact your account manager for further details. Proper installation is the responsibility of the installer. Product failure due to improper installation is not covered under the Limited Warranty.

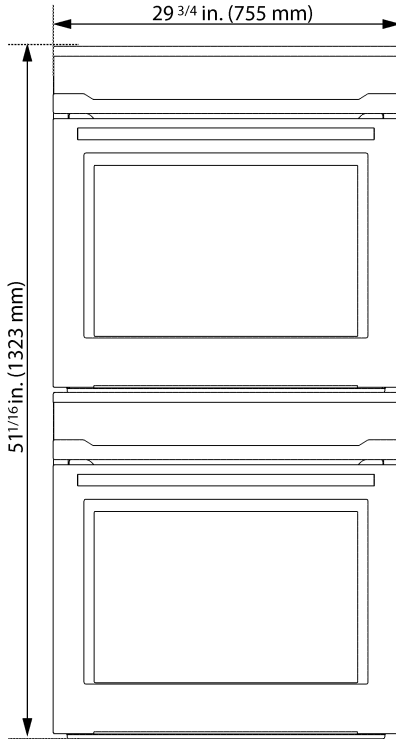
3

SPECIFICATIONS

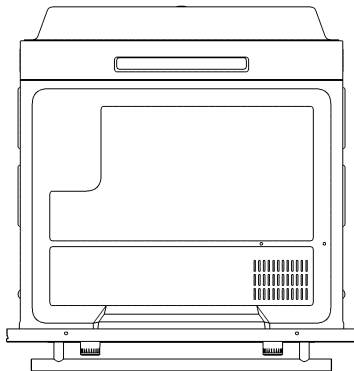
Specifications	
Type	Built-In Double
Size	30 in. (762 mm)
Color	Stainless Steel
Oven Type	Multifunction
Control Type	Light Emitting Diode (LED) Display
Accessories/Oven Cavity (Each Oven)	
Cavity Enamel Color	Black
Rack Positions	6 level wire rack
Oven Lights	2 x 40 W Halogen (each oven)
Chromed Racks	2
Oven Capacity	5.7 cu. ft.
Dimensions	
Required Cutout Dim (H x W x D)	49 3/4 - 51 1/2 in. (1264-1308 mm) x 28 1/2 in. (724 mm) x 23 1/2 in. (597 mm)
Overall Height	52 1/16 in. (1323 mm)
Overall Width	29 3/4 in. (755 mm)
Overall Depth	24 7/16 in. (620 mm)
Power/Ratings	
Voltage/Frequency	120/240 VAC, 60 Hz 2AC~N or 120/208 VAC, 60 Hz 2AC~N
Fuse Protection	Min. 40 A
Total Electric Power	240V -> 8.8 kW 208V -> 6.7 kW
Supply Cord	4 wire AWG 10 into electrical "J" Box
Heating Element Information (Each Oven) - 240V	
Bake	2400 W
Broil (inner)	2000 W
Broil (outer)	1500 W
Convection	2800 W

4

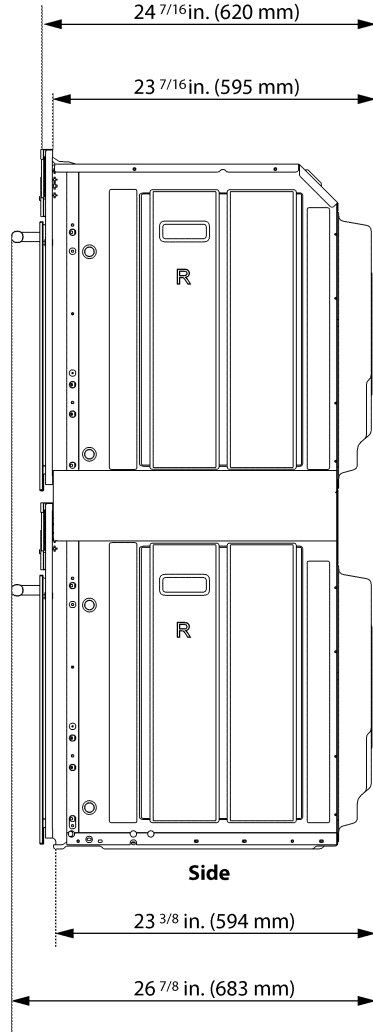
DIMENSIONS



Front



Top

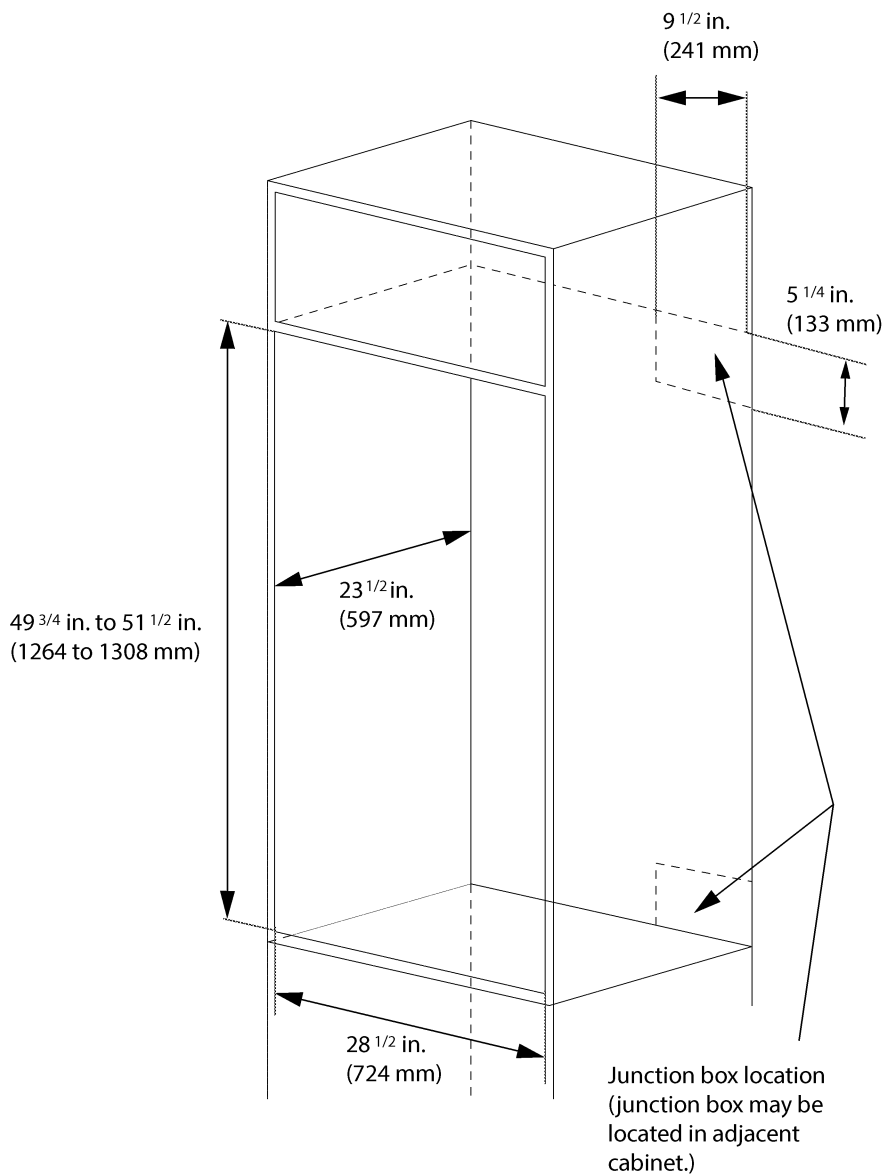


Side

5

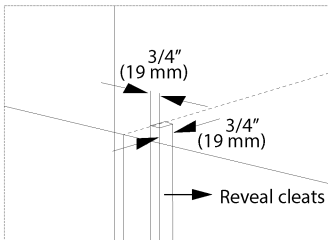
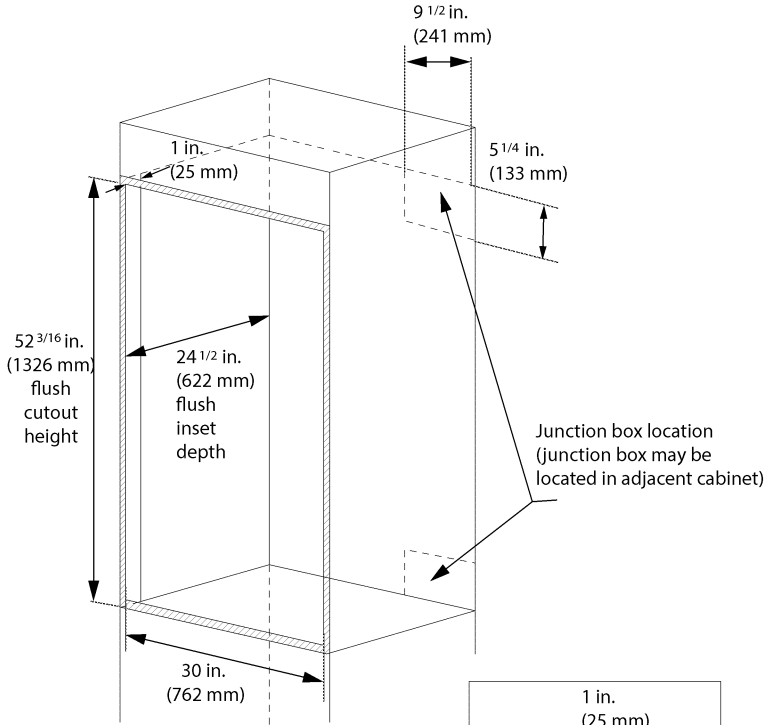
CUTOUT DIMENSIONS

5.1 HIGH CUPBOARD INSTALLATION

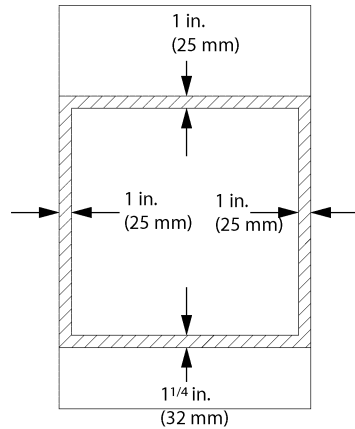


CUTOUT DIMENSIONS

5.2 FLUSH MOUNT INSTALLATION



For flush installation you need to two reveal cleats fixed like above figure.



6

INSTALLATION

Preparation of location and electrical installation for the oven is the customer's responsibility. The appliance should be properly installed and grounded by a qualified technician. The appliance must be installed in accordance with all local electrical regulations. Prior to installation, visually inspect the appliance for any defects. Do not install a defective appliance.

6.1 ELECTRICAL REQUIREMENTS

This appliance must be supplied with the proper voltage and frequency and be connected to an individual, properly grounded branch circuit protected by a circuit breaker or fuse. See the rating plate to determine the rating of the appliance. Use the chart below to determine the minimum recommended dedicated circuit protection to ensure correct fuse rating.

kW Rating 240 V	Recommended Circuit Size (Dedicated)
<8.8 kW	40 Amp

The main supply data must correspond to the data specified on the rating plate of the appliance. The rating plate is located either bottom of the control panel when opening the door or on the rear wall of the appliance.

WARNING

To avoid risk of electrical shock, serious injury, or death, verify electrical power is turned off at the breaker box until oven is installed and ready to operate.

DANGER

ELECTRICAL SHOCK HAZARD! DO NOT USE AN ADAPTER PLUG, AN EXTENSION CORD, OR REMOVE GROUNDING PRONG FROM ELECTRICAL POWER CORD, HAVE A QUALIFIED ELECTRICIAN INSTALL AN OUTLET NEAR THE APPLIANCE. FAILURE TO FOLLOW THIS WARNING CAN CAUSE SERIOUS INJURY, FIRE OR DEATH.

This appliance is manufactured with a green GROUND wire connected to the oven chassis. Ensure power is disconnected or turned off at the main supply before making any electrical connections. Connect the flexible conduit to the junction box using a U.L. listed conduit connector. The following procedures present the most common ways of

INSTALLATION

making electrical connections to the appliance. Ensure connections are made in accordance with local codes and ordinances.

- The appliance should be installed and connected to electrical power in accordance with national and local regulations. In the absence of codes, the National Fuel Gas Code ANSI Z223.1/NFPA-54 - latest edition must be followed.
- In Canada, installation must be in accordance with the current CAN/CGA B149.1 & 2 Gas Installation codes and/or local codes. Electrical installation must be in accordance with the current CSA C22.1 Canadian Electrical Codes Part 1 and/or local codes.
- Grounding through the neutral conductor is prohibited for new branch circuit installations (1996 NEC), mobile homes, and recreational vehicles, or in an area where local codes prohibit grounding through the neutral conductor.
- The installer must leave these instructions with the consumer who should retain for local inspector's use and for future reference.
- It is important the installation location has an adequate electrical system. Prior to installation, a qualified electrician should ensure the addition of the appliance will not overload the branch circuit on which it will be installed.
- Turn off power at main supply before installing the appliance. The product should not be connected to the main supply prior to installation.

Main power must be shut off before removing the appliance for cleaning or servicing.

- Do not remove permanently affixed labels, warnings, or plates from oven. This may void the warranty.

6.2 UNPACKING

DANGER

RISK OF SUFFOCATION BY THE PACKAGING MATERIALS! PACKING ELEMENTS (I.E., PLASTIC BAGS, POLYSTYRENE FOAM, NAILS, PACKING STRAPS, ETC.) SHOULD NOT BE LEFT AROUND WITHIN EASY REACH OF CHILDREN, AS THESE MAY CAUSE SERIOUS INJURIES OR DEATH.

CAUTION

To avoid risk of injury, or product or property damage:

- Use two or more people or suitable lifting device when lifting appliance.
- Remove and discard all packing materials, including cardboard and tape on the outside and inside of the range.
- Remove any plastic protective wrap on all parts.
- Thoroughly wash the interior with hot, soapy water, rinse, and wipe dry.
- Dispose of all packing materials according to environmental standards.
- Check for possible shipping damage immediately after receipt. If the oven is found to be damaged, contact your point of sale immediately.
- **DO NOT** connect and operate the oven if any damage was found.

Note the time, date, and who was spoken to, and follow up and confirm with written or electronic communication.

All original packing materials must be kept for inspection purposes.

6.3 BEFORE INSTALLATION

The appliance is intended for installation in commercially available kitchen cabinets and a minimum clearance must be ensured between the appliance and kitchen walls, floors, and furniture for safety.

- Surfaces, synthetic laminates, and adhesives used near or around the unit must be heat resistant.
- Kitchen cabinets used for installation must be set level and fixed in place.
- All openings in the wall behind the oven and in the floor under the oven must be sealed.
- Drawings used in this manual are representational and may not match each appliance exactly.
- Product guarantee is valid after proper installation. The manufacturer will not be responsible for any hazard or damage resulting from improper installation or use.
- Always carry the appliance using two or more people. Do not drag the appliance across any surface, as this may damage the surface.
- Remove all shipping materials inside and outside of the oven.
- Remove all equipment from inside the oven, including the oven racks and printed documents.
- Read manual before installing appliance.
- The California Safe Drinking Water and Toxic Enforcement Act requires the Governor of California to publish a list of substances known

INSTALLATION

to the State of California to cause cancer, birth defects, or other reproductive harm, and requires businesses to warn of potential exposure to such substances. This appliance can cause low-level exposure to some of the substances listed, including benzene, formaldehyde, carbon monoxide, and toluene.

- All electric wall ovens must be hard wired (direct wired) into an approved junction box. A plug and receptacle is not permitted for this application. Do not shorten the flexible conduit. The conduit strain relief clamp must be securely attached to the clamp. If the flexible conduit will not fit within the clamp, do not install the oven until a clamp of the proper size is obtained. Junction box may be located in adjacent cabinet.

6.4 INSTALLATION CONDITIONS

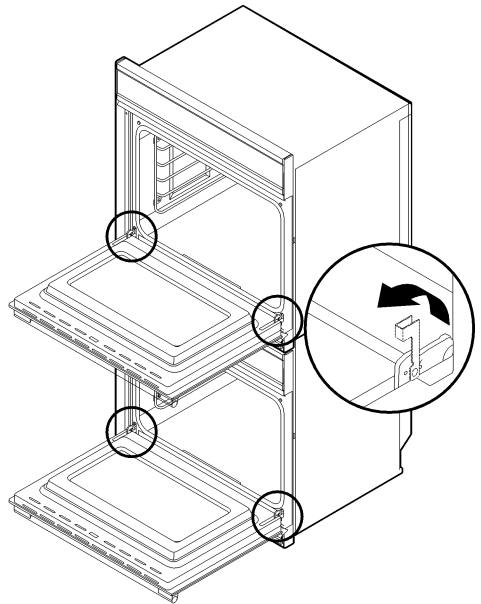
- All dimensions given in this manual are in inches and millimeters.
- Oven dimensions and cutout dimensions are given in the previous sections.
- Use cutout dimensions appropriate for type of cabinet used in installation.
- Ensure cutout dimensions are accurate for the type of cabinet and appliance.
- All cabinet construction should be complete and any dust or debris removed before installing appliance.
- The cabinet shelf the appliance

will be installed on should be able to withstand the weight of 220 lbs (100 kg) or more.

- A shelf must be installed between the oven and any drawer directly under the oven.
- Use safety gloves before carry the oven.

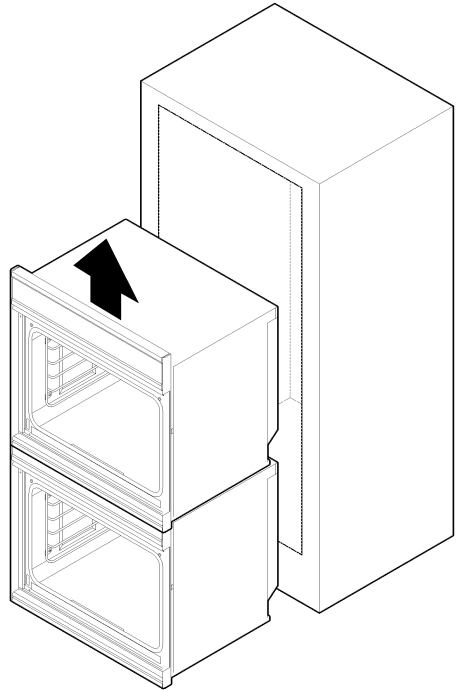
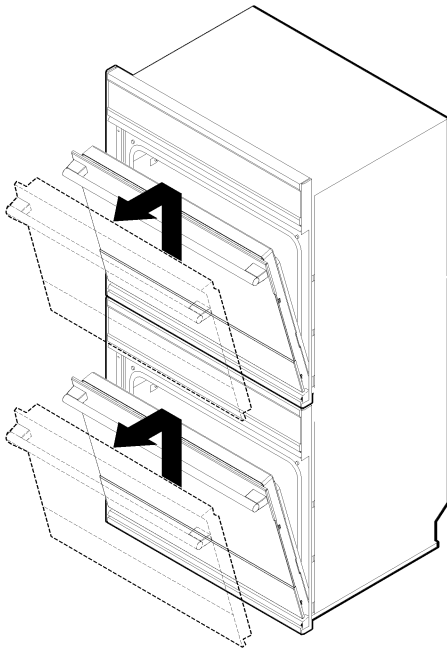
6.5 INSTALLATION

1. Open oven door and unlock hinge clamps.



INSTALLATION

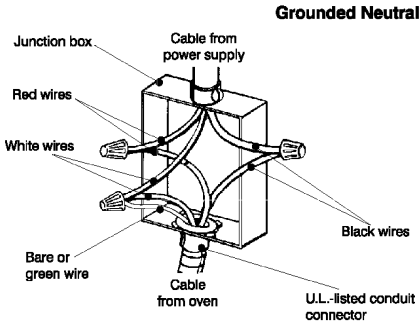
2. Using both hands, grasp the sides of the oven door, raise and lift up and out.
3. Using two or more people and suitable stand, lift oven and partially install to cabinet cutout.



INSTALLATION

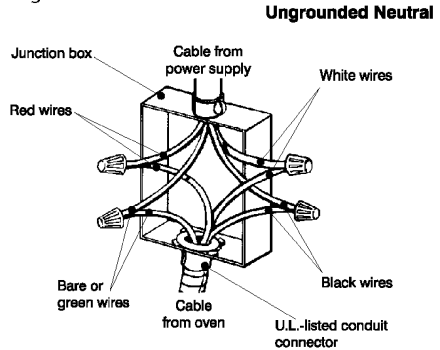
- 4a. Connect green GROUND wire and white wire from oven to branch circuit NEUTRAL wire in junction box. Connect red and black wires from oven to corresponding branch circuit red and black wires in junction box. (Where local code allows for the connection of the GROUND wire from the appliance to the branch circuit NEUTRAL wire.)

Figure A



- 4b. Disconnect green GROUND wire from white NEUTRAL wire at free end of appliance conduit and connect green GROUND wire from appliance to GROUND wire (bare or green wire) in junction box. Connect white NEUTRAL wire from appliance to NEUTRAL wire in junction box. Connect red and black wires from oven to corresponding branch circuit red and black wires in junction box. (Where local code prohibits the connection of the GROUND wire from the appliance to the branch circuit NEUTRAL wire.)

Figure B



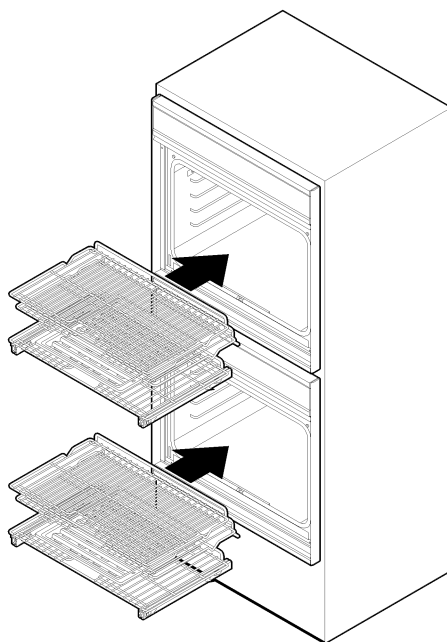
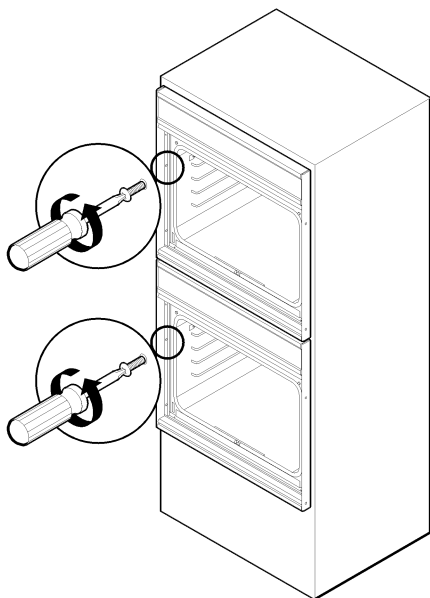
⚠ CAUTION

To avoid risk of injury or product or property damage, ensure electrical supply cord is free and not clamped, bent, or squeezed. Do not route electrical supply cord so that it will be in contact with rear surface of oven or over hot cooking section. If the electrical supply cord is damaged, it must be replaced.

5. Push seal area of oven to position oven in cabinet cutout. Position oven so oven frame and cabinet frame are flush.

INSTALLATION

- Secure oven to cabinet using four screws. Do not overtighten screws.
- Install oven racks.

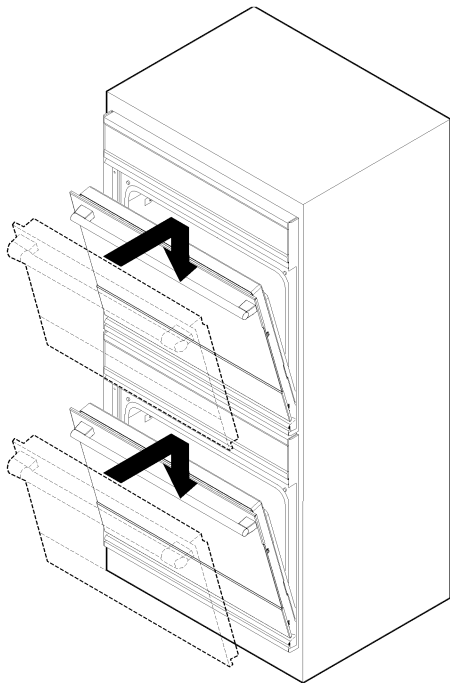


CAUTION

To avoid risk of tipping, ensure oven is installed and secured properly.

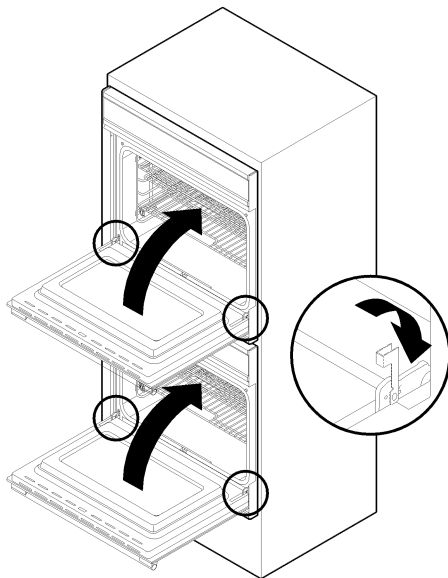
INSTALLATION

8. Install oven door to hinges.



9. Lock hinge clamps and close oven door.

10. Connect or turn on power at main supply.



11. Ensure appliance powers on.

7

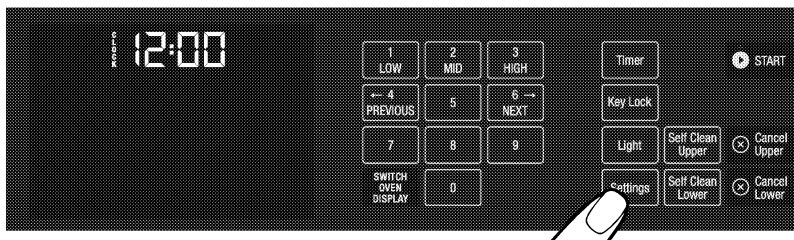
PREPARE FOR USE

Note: Before using the oven, the clock must be set. If the clock is not set, the oven will not work.

7.1 SETTING THE TIME

Note: Before using the oven, the clock must be set. If the clock is not set, the oven will not work.

1. Touch the “Settings” touchpad once.



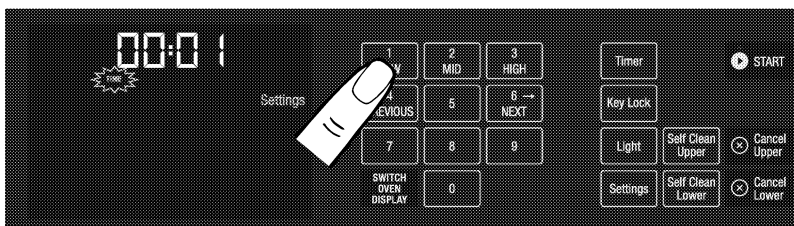
2. The “Time”, “Clock” and “Current time display” indicators begin flashing.



3. Using the keypad, begin entering the time of day. For our example, let's assume it's 10:26 AM.

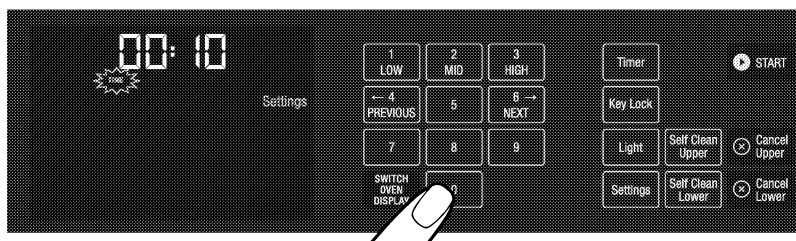
Note: As soon as you begin entering the time, Only “Time” indicator continue flashing.

4. Touch “1” on the touchpad.

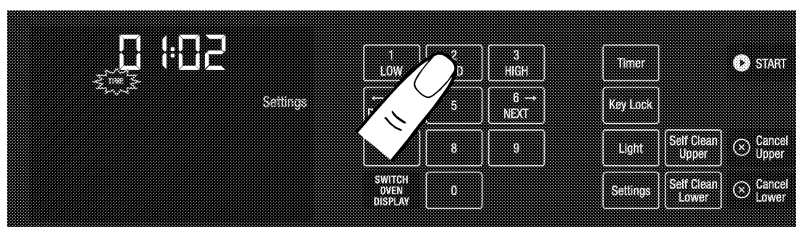


PREPARE FOR USE

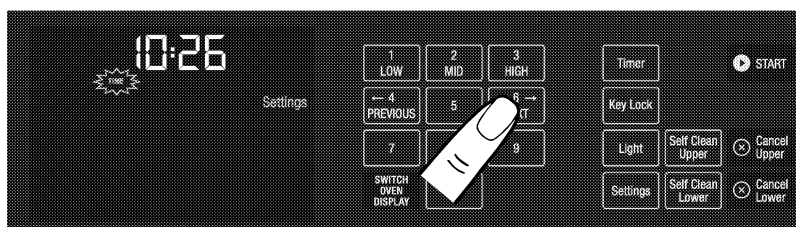
5. Then touch "0" on the touchpad.



6. Then touch "2" on the touchpad.



7. Then touch "6" on the touchpad.

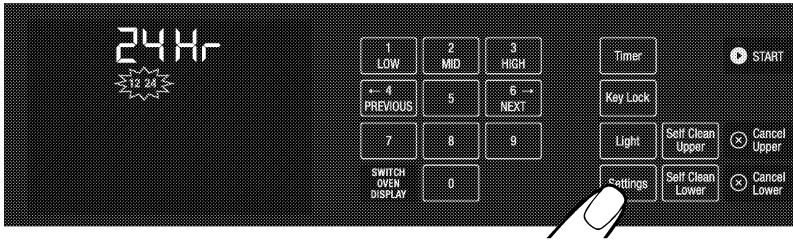


8. Confirm the time by touching "Start" on the touchpad or wait approximately 10 seconds.

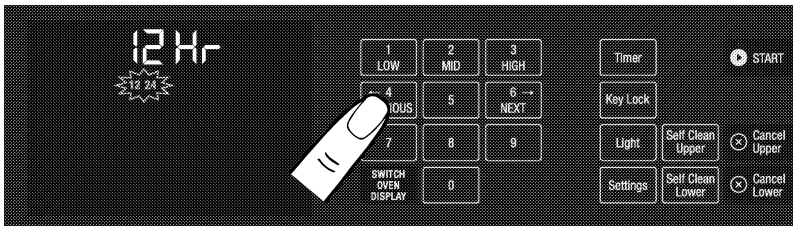
PREPARE FOR USE

7.2 SETTING CLOCK MODE (12HR OR 24HR)

1. Touch the “Settings” touchpad two times.



2. The “12 24” indicator begins flashing.
3. Use touchpad 4 or 6 on numeric keypad to select 12hr or 24hr clock mode.



4. Confirm the selection by touching “Start” on the touchpad or wait approximately 10 seconds.

Note: If 12hr clock is set, AM or PM indicator is displayed. If 24hr clock is set, these indicators are not displayed.

7.3 CLEANING

1. Ensure all packing materials are removed.
2. Wipe oven clean with a damp cloth to remove any manufacturing residues or packaging debris.

Note: Special cleaning products are not required.

PREPARE FOR USE

7.4 INITIAL HEATING

Smoke and smell may be emitted during the initial heating cycle and for several hours after. This is a normal condition from burning production residues. Ensure room is well-ventilated to remove smoke and smell. Avoid directly inhaling the smoke and smell that is emitted. Follow the steps below for both upper and lower ovens.

1. Remove all baking trays and wire grills from the oven.
2. Close oven door.
3. Touch the "Bake" touchpad.
4. Set temperature to 350 °F (175 °C).
5. Touch the "Start" touchpad and allow the oven to operate for 30 minutes.
6. Touch the "Cancel" touchpad for both upper and lower ovens.
7. Touch the "Broil" touchpad.
8. Set broil temperature to "High".
9. Touch the "Start" touchpad and allow the oven to operate for 30 minutes.
10. Touch the "Cancel" touchpad for both upper and lower ovens.

7.5 PERFORMANCE CHECKLIST

A qualified installer should carry out the following checks:

- Check oven bake function - bake element at full power.
- Check oven convection bake function - ring heater at full power with convection fan on.
- Check oven roast function - bake and broil elements on.
- Check oven convection roast function - bake and broil elements on with convection fan on.
- Check oven broil function - broil element at full power.
- Check oven convection broil function - broil element on with convection fan on.
- Check oven self-clean function - oven door will lock automatically. Check broil element on through oven door glass. Abort self-clean cycle to unlock oven door.

7.6 SERVICE INFORMATION

Please contact your authorized Beko dealer or visit www.bekoappliances.com to locate and get information for the closest authorized Beko service center.