

WOSP30100SS



30" Speed Oven



GENERAL PROPERTIES

Color	Stainless Steel with Black Glass
Interior Finish	Stainless Steel
Capacity	1.6 cu. ft.
Control Type	Touch Control w/ LED Display
Door Opening Type	Drop Down Door

FEATURES & FUNCTIONS

Microwave Cooking	Yes
Convection Cooking	Yes
Combination Convection/ Microwave Cooking	Yes
Sensor Cooking	Yes
Auto-Cooking	Yes
Defrost	Yes
Glass Turntable Diameter (in.)	16"
Quick Start	Yes
Start /+ 30 Seconds	Yes
Stop/Cancel/Clear	Yes
End of Cooking Reminder	Yes
Child Lock	Yes
Multiple Sequence Cooking	Yes (4 Stages)
Power Levels	11
Interior Light	Yes

PREMIUM TECHNOLOGY

COOKING FLEXIBILITY

Cook with Microwave only, Convection only or a combination of both. When combined, you get speed cooking with oven-quality results. Speed Bake and Speed Roast combines microwave assist for speed cooking.

AUTOMATIC SENSOR PROGRAMS

Eliminate the need to set the cooking time and power level. Beko's automatic sensor programs simplify cooking for the best results.

MULTI-STAGE COOKING

When recipes call for different power levels at different intervals, you can program the microwave to automatically cook through four stages.

WOSP30100SS



30" Speed Oven

COOKING - MENU PRESETS

Speed Bake	Yes
Speed Roast	Yes
Bake / Roast / Grill	Yes
Popcorn	Yes
Reheat	Yes
Melt/Soften /Warm Options	Yes
Defrost	Yes
Beverage	Yes
Frozen Entrée	Yes
Frozen Vegetables	Yes

TECHNICAL INFORMATION

Microwave Output Power (Max.)	900 W
Convection Output Power (Max.)	1,600 W
Rated Input Power	2,550 W
Required Power Supply	220 V -240 V / 60 Hz
Circuit Breaker (Min.)	15 A
Plug Type	NEMA 6-20
Power Cord Length (in.)	82 5/8"

DIMENSIONS & WEIGHT

Product (H x W x D) (in.)	17 7/8 x 29 3/4 x 22 1/4
Depth (With Handle) (in.)	24 7/8
Depth (Without Handle) (in.)	22 1/4
Interior (H x W x D) (in.)	17 1/16 x 9 7/16 x 16 15/16
Required Cutout Size (H x W x D) (in.) - (Standard Mount Cutout)	17 5/8 x 22 1/4 x 23 1/2
Required Cutout Size (H x W x D) (in.) - (Flush Mount Cutout)	18 x 30 x 23 (Min. Depth to Front of Cleat) - 24
Carton (H x W x D) (in.)	21 1/2 x 33 1/2 x 29 1/2
Net Weight (lbs.)	92
Shipping Weight (lbs.)	106

ACCESSORIES (INCLUDED)

Glass Turntable	Yes
Wire Rack	Yes (2 Racks)

WARRANTY

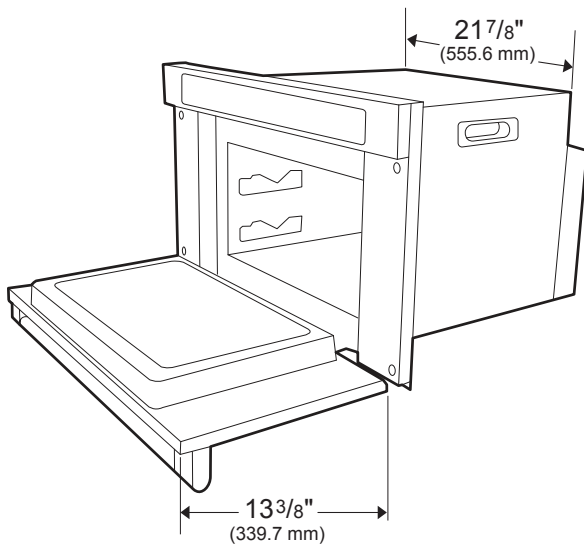
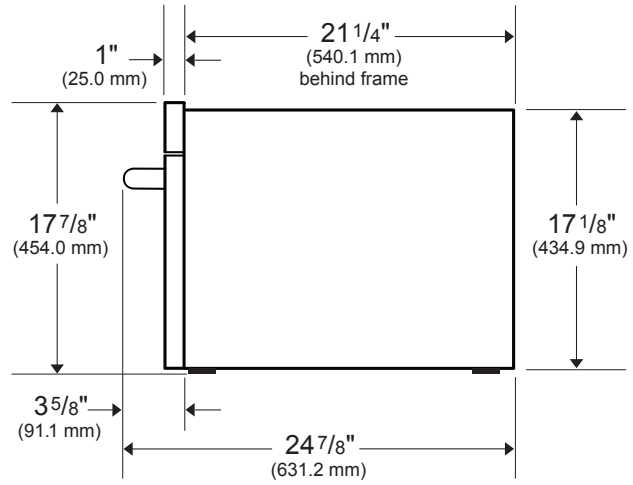
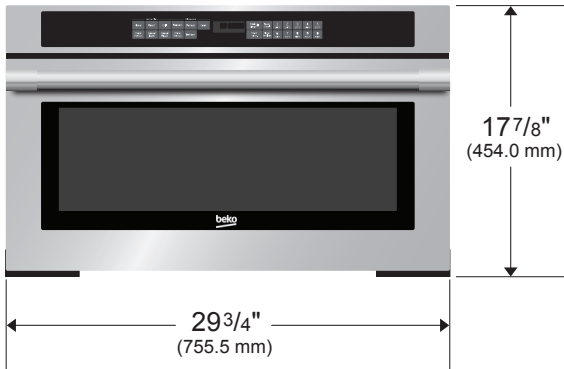
Parts & Labor	2-Year Full Warranty
---------------	----------------------

WOSP30100SS



30" Speed Oven

Product

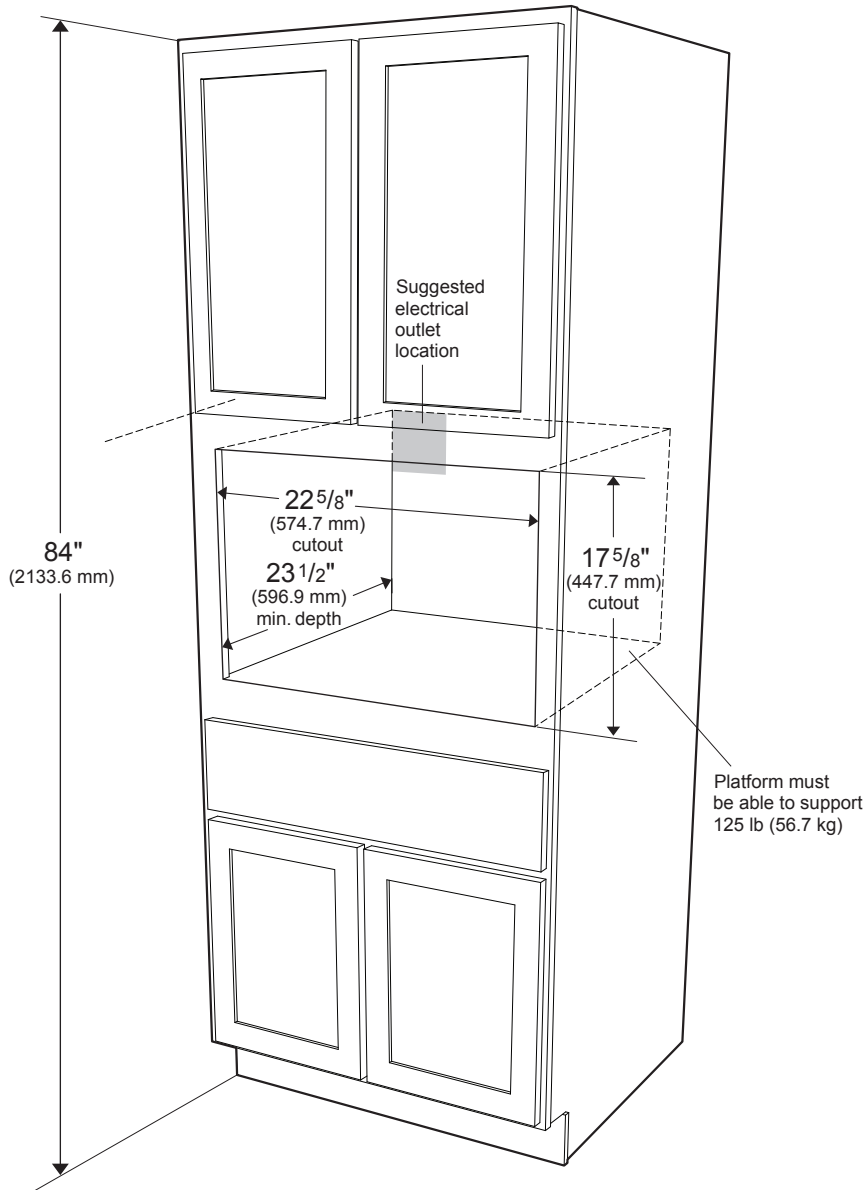


WOSP30100SS

30" Speed Oven



Clearances and Dimensions for Standard Installations



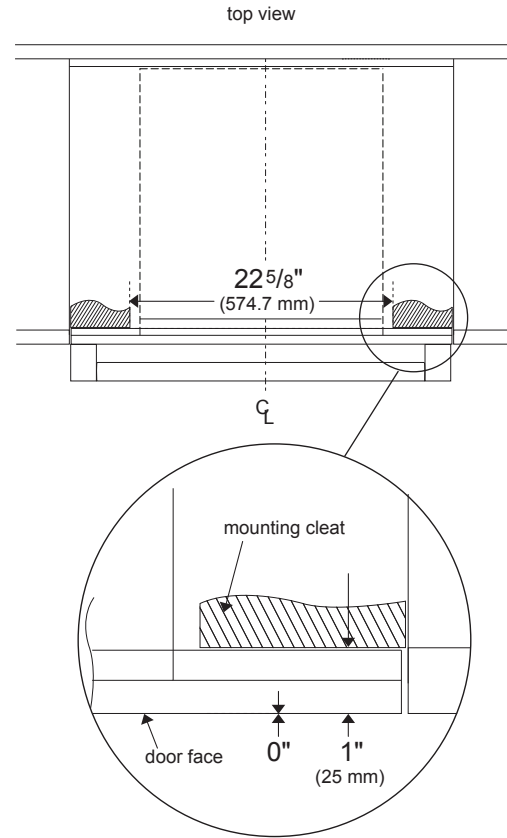
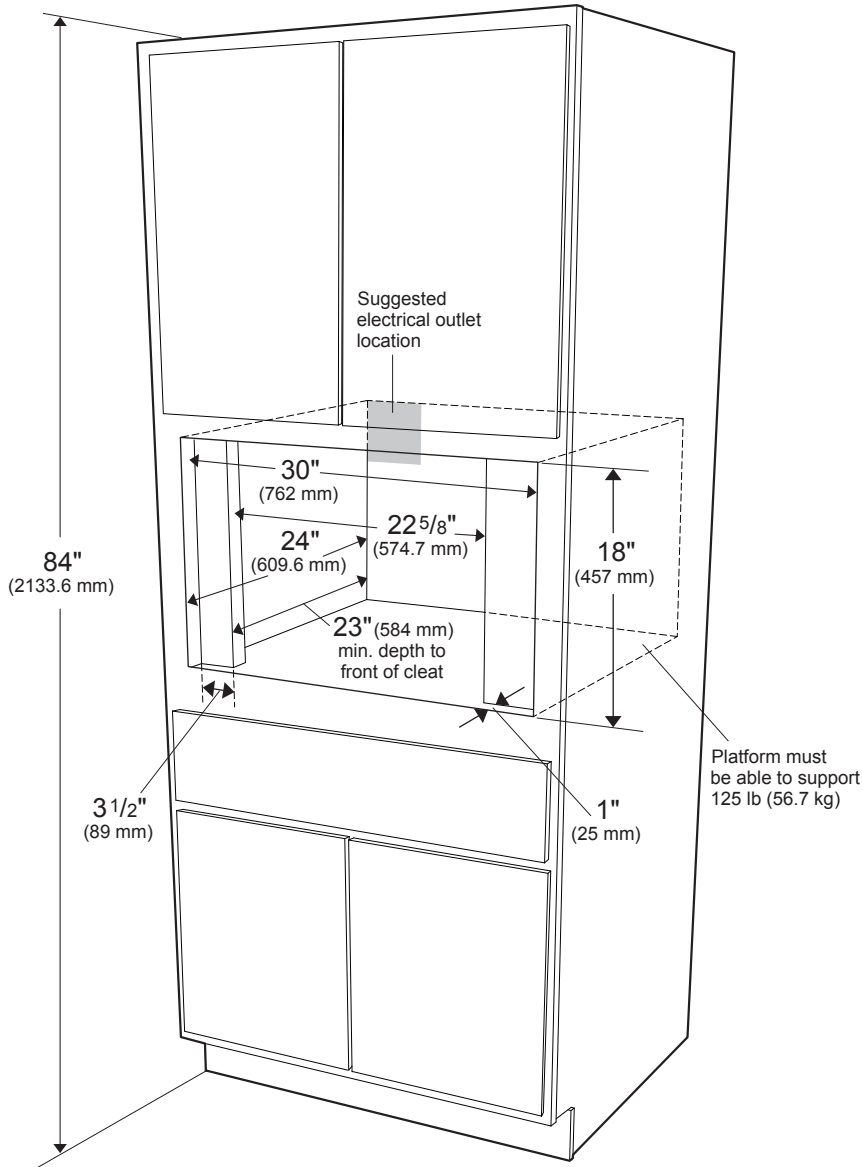
NOTE TO THE INSTALLER: All height, width, and depth dimensions are shown in inches (as well as metric). Beko U.S., Inc. reserves the absolute and unrestricted right to change product materials and specifications, at any time, without notice. Please visit our website, www.BekoAppliances.com, or call 888.352.2356 to verify the latest specifications with final dimensional data and other details prior to installation and making a cutout. Applicable product limited warranty information may be found in accompanying product materials, or you may contact your account manager for further details. Proper installation is the responsibility of the installer. Product failure due to improper installation is not covered under the Limited Warranty.

WOSP30100SS



30" Speed Oven

Clearances and Dimensions for Flush Installations



Note: the mounting surface of the finished cleat must sit 1" (25 mm) back from the face of the cabinet.