



2.6 cu. ft. Electric Range

AEP222VA



White
AEP222VAW

Capacity

Oven	2.6 cu. ft.
------	-------------

General Features & Properties

SpillSaver™ Upswept Cooktop

Electrical Details

Amps	40 or 50
Volts	240

Certifications

ADA Compliant	Yes
---------------	-----

Technical Details

Fuel Type	Electric
Range Type	Freestanding Single Oven
Oven Cooking System	Thermal
Number of Oven Racks	2
Cleaning Type	Manual Clean
Number of Elements	4
Element Type	Coil
Element Size/Power	(1) 8" 2100W (3) 6" 1250W

Dimensions

Product Dimensions (H x W x D)	42-9/16" x 19-3/4" x 26-1/4"
Depth with Door Open 90°	47-7/8"

Reference Material

[Dimension Guide](#)

[Install Guide](#)

[Use & Care Guide](#)

[Warranty](#)

Key Features & Benefits

2.6 Cu. Ft. Capacity

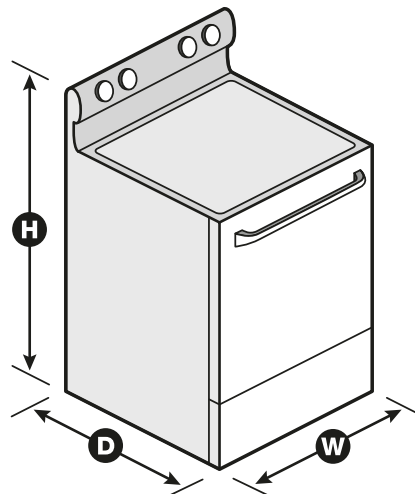
Cook multiple dishes at once to handle daily meals with ease.

Versatile Cooktop

Multiple element options provide up to 2,100 watts to help cook more favorites at the same time.

Temp Assure™ Cooking System

Distributes heat throughout the entire oven to deliver delicious results.



NOTE: Dimensions are for planning purposes only. For complete details, see Installation Instructions packed with product. Specifications subject to change without notice.

®/™ © 2020. All rights reserved. Printed in the U.S.A. D200052XXB. AEP222VASPECSHEETV01.