



HIGH POWERED. HIGH DESIGN.

This new **Viking RVL Collection** bridges present and future with a fully integrated design that fits seamlessly into surrounding cabinetry. Although its sleek look is decidedly minimal, it boldly conveys Viking performance at a glance. And rest assured, no commercial cooking power was sacrificed for appearance sake. With streamlined silhouettes, a sleek user interface, transitional sizes, and outfitted in stunning black glass this collection gives you limitless contemporary design possibilities that will ignite your culinary passions.

MODEL NUMBER

MVWDE6301BG – 30"W. Warming Drawer

DESIGN AND INSTALLATION FEATURES

- All black glass front
- Capacitive touch control
- Seamless integration
- Minimal product reveals
- Sleek black chrome handles
- Smooth glass interior base
- Full-extension slides
- Can be installed flush or integrated
- LED interior lighting

COOKING FEATURES

- Heated glass base combined with rear fan provides variable heating modes
 - Cups Mode warms cups for up to 30 minutes
 - Plates Mode warms plates for up to 45 minutes
 - Warm Mode circulates constant low heat for up to 60 minutes to keep cooked foods hot
 - Rapid Proof Mode provides gentle heat for up to 30 minutes in a warm and draft-free environment, perfect for proofing dough
 - Dehydrate Mode dehydrates and dries foods such as meat, fruits, vegetables and herbs for up to four hours
 - Slow Cook Mode perfectly cooks seared meat such as roast for up to six hours at a low temperature
- Temperatures range from 86°F to 212°F
- Delay Start – automatically starts the warming drawer at a set time and turn off at end of the cycle
- Sabbath Mode – keeps drawer in operation for up to 72 hours while deactivating safety shut off and illumination features
- Standby Mode – automatically starts after 12 hours of use



CAPACITY

- 28 cappuccino cups
- 54 espresso cups
- 30 plates
- Included wire shelf increases loading capacity

WARRANTY

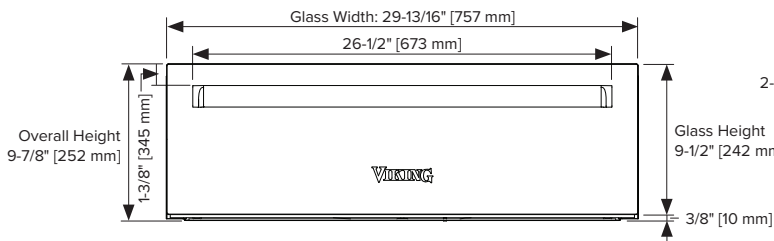
- 2-year full – complete product
- 90-day full – cosmetic parts such as glass, painted items and decorative items
- 5-year limited – electric heating element



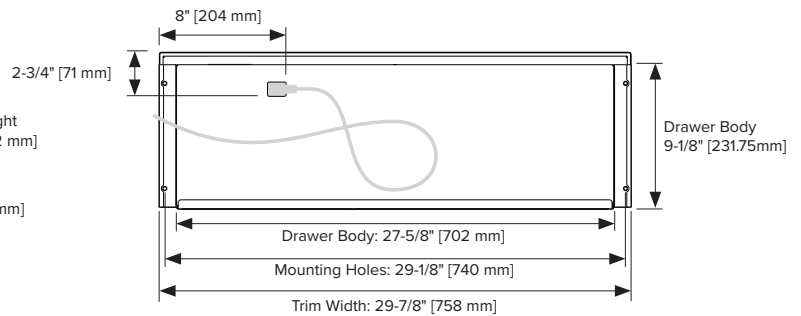
Model	MVWDE6301
Overall Width	29-13/16" (75.72 cm)
Overall Height	9-7/8" (25.16 cm)
Overall Depth	Overall – 24-1/8" (61.28 cm) Drawer extension – 19-1/2" (49.5 cm) Depth into cabinetry – 21-5/16" (54.1 cm)
Interior Width	26-13/16" (68.14 cm)
Interior Height	7-3/8" (18.70 cm)
Interior Depth	16-1/8" (41.02 cm)
Cutout Width	Standard Mount – 28-1/2" (72.39 cm)
Cutout Height	Standard and Flush Mount – 9-3/16" (23.3 cm)
Cutout Depth	Standard and Flush Mount – 23-1/4" (59.06 cm)
Electrical Requirements	Power Cord Length - 70-7/8" (1800 mm) Power Outlet - 3-prong grounded Power Supply - 110 VAC, 60 Hz Service - 10 amp circuit Max Power Usage (Watts) - 810 Watts Min Power Usage (off) - .5 Watts
Approximate Shipping Weight	75 lb. (34 kg)

Please do not prepare installation from brochure data only. See installation instructions for important clearance/installation information.

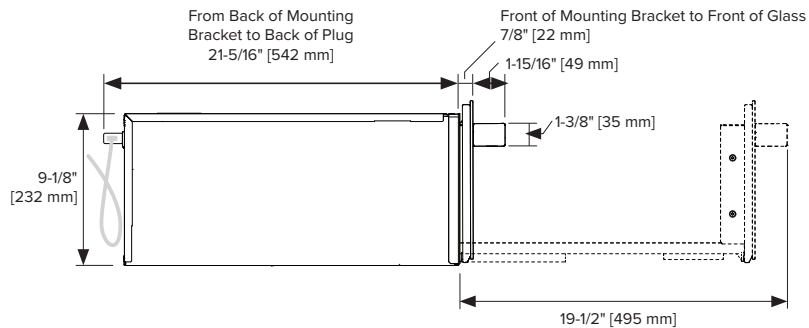
FRONT



BACK (POWER LOCATION)



SIDE



FIND YOUR LOCAL DEALER AT VIKINGRANGE.COM
FOR PRODUCT INFORMATION, CALL 1-888-845-4641 OR VISIT OUR WEBSITE