

Installation Guide

RVL - Glass Accessory Panel

7 Series All Refrigerator, All Freezer and Bottom Freezer Refrigerator

MVRDP6181RBG | MVRDP6241RBG | MVRDP6301RBG | MVDBP6361RBG
MVRDP6181LBG | MVRDP6241LBG | MVRDP6301LBG | MVDBP6361LBG



Table of Contents

| | |
|---|--------------|
| Important Safety Instructions | .EN-3 |
| General Product Installation Info. | .EN-4 |
| Installation Preparation | .EN-4 |
| Tools You May Need | EN-4 |
| Site Preparation | EN-4 |
| Recommendations for Moving | EN-4 |
| Recommendations for Unpacking | EN-4 |
| Product Dimensions | EN-5 |
| Included Accessories and Parts | EN-6 |
| Unboxing | .EN-8 |
| Side Channel Installation | .EN-9 |
| Door Panel Installation | EN-10 |
| Final Install Checklist | EN-12 |
| Notes | EN-13 |
| Service Information | EN-14 |

Important Safety Instructions

Read and Follow!

Before beginning, please read these instruction completely and carefully.

- Inspect glass for damage and chips that may cause spontaneous breakage before handling.
- **DO NOT** remove permanently affixed labels, warnings, or plates from the product. This may void the warranty.
- **DO NOT USE THE DOOR HANDLE** to lift the panel from the packaging. Use the edges of the panel to lift or carry.
- **DO NOT** set the door down on the edge of the glass. The glass is tempered and may shatter if it lightly hits the ground.
- While not required, consider using suction cups to aid in handling the door panel. Double check that the suction cup is rated for the weight of the panel.
- Use caution during assembly to minimize scratches.
- All local and national codes and ordinances must be observed. Installation must conform with local codes.
- The installer must leave these instructions with the consumer who should retain them for the local inspector's use and for future reference.



WARNINGS

MOVING HAZARD

- To avoid risk of severe personal injury; large glass panels may require two or more personnel while handling and moving.
- Use non-slip gloves.

Damage to Product

- DO NOT use the handle lift the glass panel.

Personal safety and use

- The glass accessory panels can be heavy depending on size — use extreme care when handling.
- Wear safety glasses with side shields and gloves when installing. The glass accessory panel may shatter if the edge of the glass is bumped hard enough by a hard object. While tempered glass is designed to crumble into bits rather than shards, this does not preclude the possibility of shards being created or the crumbled bits from being sharp.
- This accessory is not intended for use by persons (including children) whose physical, sensory or mental capabilities are different or are reduced, or lack of experience or knowledge, unless such persons receive supervision or training for the operation of the appliance by a person responsible for their safety. Children should be monitored to ensure that they do not utilize devices as a toy.

SAVE THESE INSTRUCTIONS

GENERAL PRODUCT INSTALLATION INFO

Installation Preparation

Installers, it is your responsibility to...

- Make sure that you have the necessary tools and materials on hand to install the unit before unpacking the appliance.
- Before installation, inspect the accessory and make note of defects, scratches, and other aesthetic issues.

Design Information

The RVL Glass Accessory Panels are designed for use with 7 Series All Refrigerators, All Freezers, and Bottom-mount Freezer Refrigerator.

Tools You May Need

- Electric Drill
- T20 Screwdriver (or bit)
- Ratchet and $\frac{3}{8}$ " socket

Site Preparation

- Remove any unnecessary furniture or other object that may get in the way while installing.
- Consider placing a blanket nearby in case the glass panel needs to be set back down while installing.
- Note: It is recommended that a thorough site inspection be conducted PRIOR to unpacking and moving this panel kit.
- Double check and ensure the correct door model and the correct handed door (left- or right-handed model) was ordered.

Recommendations for Moving

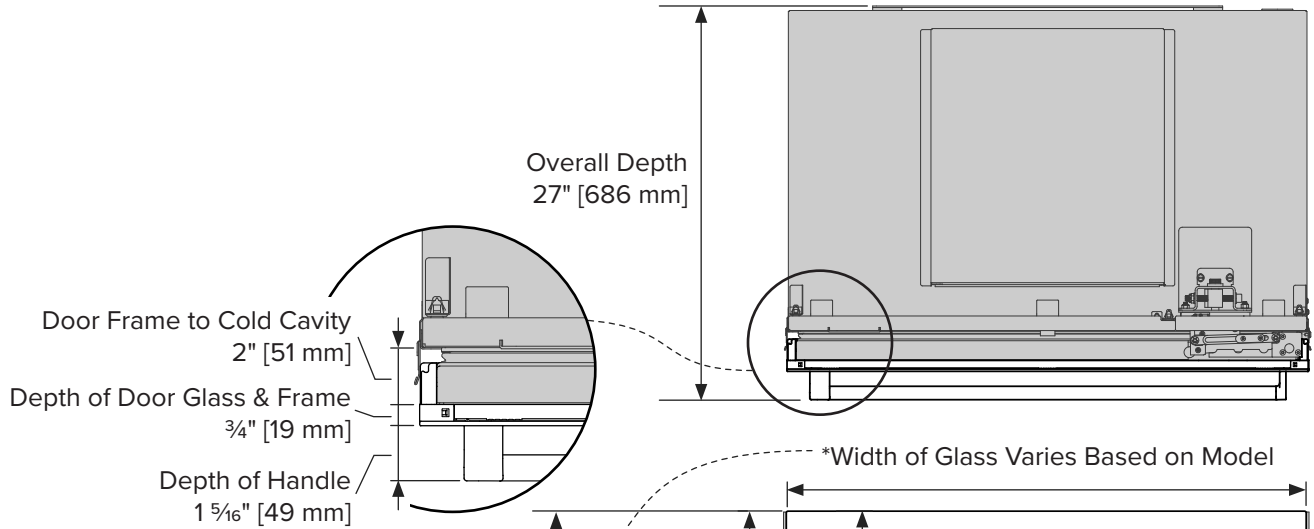
- Proper equipment should be used to move and install the glass panels
 - Safety glasses with side panels.
 - Rubberized work gloves
 - Suction cups
- ALWAYS take steps to protect flooring at the installation location when moving products.
- NEVER lift or use the door handles while moving and installing the glass accessory panel. It may break the glass.

Recommendations for Unpacking

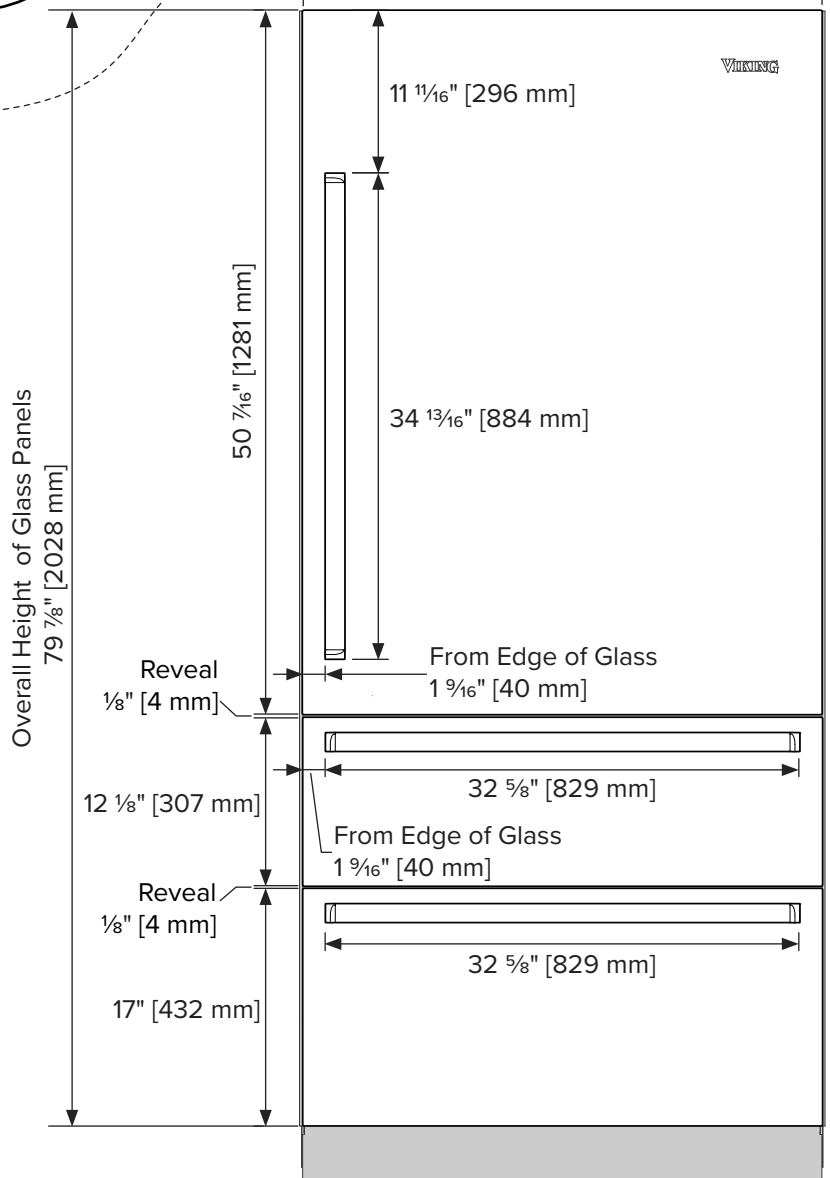
- DO NOT remove protective packaging until you are ready to perform the installation.
- DO NOT remove the protective wrapping from the glass panel until the product is installed.

Product Dimensions

The MVDBP6301RBG model serves as the reference for the accompanying dimension diagram, chosen for its comprehensive and adaptable measurements. These measurements can be effectively applied as a standard for assessing the dimensions of additional glass panel accessories. The provided dimensions below offer a reliable basis for extrapolating the sizes of other models in the series.



| Model | Width |
|--------------|------------------|
| MVRDP6181RBG | 17 3/4" [450 mm] |
| MVRDP6181LBG | |
| MVRDP6241RBG | 23 3/4" [603 mm] |
| MVRDP6241LBG | |
| MVRDP6301RBG | 29 3/4" [756 mm] |
| MVRDP6301LBG | |
| MVDBP6361RBG | 35 3/4" [908mm] |
| MVDBP6361LBG | |



Included Accessories and Parts

The table below shows the parts that comes with each of these door panels. Please note that all models have an “R” or “L” in the model number (Ex: MVRDP6181**R**BG, MVRDP6181**L**BG). This denotes the swing direction these panels were designed for. “R” is for a right-hand (right hinge) product; “L” is for a left-hand (left hinge) product.

| Model | Part | Qty | Model | Part | Qty |
|---------------------|---------------------------------|-----|---------------------|---------------------------------|-----|
| MVRDP6181RBG | 18” Right-hand Glass Panel | 1 | MVRDP6241LBG | 24” Right-hand Glass Panel | 1 |
| | 8-18 x 1/2” Torx 20 screw | 36 | | 8-18 x 1/2” Torx 20 screw | 36 |
| | 0.625” Washer | 20 | | 0.625” Washer | 20 |
| | 083408-000 Install Guide | 1 | | 083408-000 Install Guide | 1 |
| | Right-Hand C-channel with clips | 1 | | Right-Hand C-channel with clips | 1 |
| | Left-Hand C-channel with clips | 1 | | Left-Hand C-channel with clips | 1 |
| | Right-hand Channel Endcap | 1 | | Right-hand Channel Endcap | 1 |
| | Left-hand Channel Endcap | 1 | | Left-hand Channel Endcap | 1 |
| | Painted Channel Cover | 2 | | Painted Channel Cover | 2 |
| MVRDP6181LBG | 18” Right-hand Glass Panel | 1 | MVRDP6301RBG | 30” Right-hand Glass Panel | 1 |
| | 8-18 x 1/2” Torx 20 screw | 36 | | 8-18 x 1/2” Torx 20 screw | 36 |
| | 0.625” Washer | 20 | | 0.625” Washer | 20 |
| | 083408-000 Install Guide | 1 | | 083408-000 Install Guide | 1 |
| | Right-Hand C-channel with clips | 1 | | Right-Hand C-channel with clips | 1 |
| | Left-Hand C-channel with clips | 1 | | Left-Hand C-channel with clips | 1 |
| | Right-hand Channel Endcap | 1 | | Right-hand Channel Endcap | 1 |
| | Left-hand Channel Endcap | 1 | | Left-hand Channel Endcap | 1 |
| | Painted Channel Cover | 2 | | Painted Channel Cover | 2 |
| MVRDP6241RBG | 24” Right-hand Glass Panel | 1 | MVRDP6301LBG | 30” Right-hand Glass Panel | 1 |
| | 8-18 x 1/2” Torx 20 screw | 36 | | 8-18 x 1/2” Torx 20 screw | 36 |
| | 0.625” Washer | 20 | | 0.625” Washer | 20 |
| | 083408-000 Install Guide | 1 | | 083408-000 Install Guide | 1 |
| | Right-Hand C-channel with clips | 1 | | Right-Hand C-channel with clips | 1 |
| | Left-Hand C-channel with clips | 1 | | Left-Hand C-channel with clips | 1 |
| | Right-hand Channel Endcap | 1 | | Right-hand Channel Endcap | 1 |
| | Left-hand Channel Endcap | 1 | | Left-hand Channel Endcap | 1 |
| | Painted Channel Cover | 2 | | Painted Channel Cover | 2 |

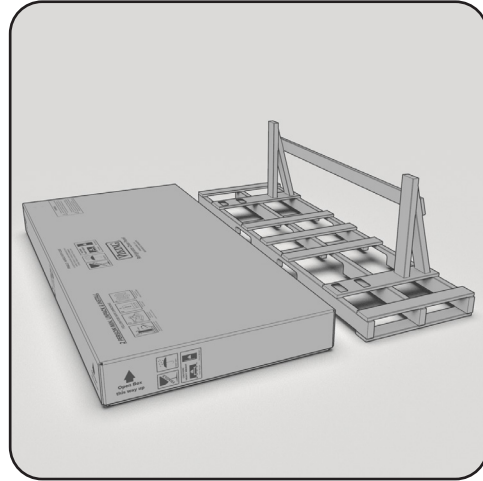
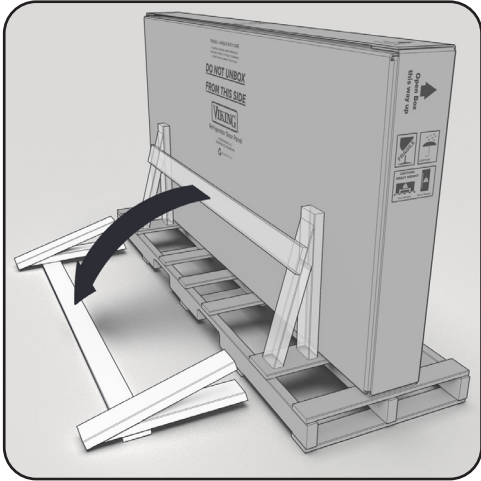
| Model | Part | Qty |
|---|---|-----|
| MVDBP6361RBG | 36" Right-hand Glass Upper Panel | 1 |
| | Top Drawer Glass Panel | 1 |
| | Bottom Drawer Glass Panel | 1 |
| | 8-18 x 1/2" Torx 20 screw | 66 |
| | 0.625" Washer | 34 |
| | 083408-000 Install Guide | 1 |
| | Right-Hand C-channel with clips, top door | 1 |
| | Left-Hand C-channel with clips, top door | 1 |
| | Left-Hand C-channel with clips, top door | 1 |
| | Left-Hand C-channel with clips, top drawer | 1 |
| | Right-Hand C-channel with clips, bottom drawer | 1 |
| | Left-Hand C-channel with clips, bottom drawer | 1 |
| | Left-Hand channel endcap | 1 |
| | Right-hand channel endcap | 1 |
| | Painted channel cover, top door | 2 |
| Painted channel cover, top drawer | 2 | |
| Painted channel cover, bottom drawer | 2 | |

| Model | Part | Qty |
|---|---|-----|
| MVDBP6361LBG | 36" Right-hand Glass Upper Panel | 1 |
| | Top Drawer Glass Panel | 1 |
| | Bottom Drawer Glass Panel | 1 |
| | 8-18 x 1/2" Torx 20 screw | 66 |
| | 0.625" Washer | 34 |
| | 083408-000 Install Guide | 1 |
| | Right-Hand C-channel with clips, top door | 1 |
| | Left-Hand C-channel with clips, top door | 1 |
| | Left-Hand C-channel with clips, top door | 1 |
| | Left-Hand C-channel with clips, top drawer | 1 |
| | Right-Hand C-channel with clips, bottom drawer | 1 |
| | Left-Hand C-channel with clips, bottom drawer | 1 |
| | Left-Hand channel endcap | 1 |
| | Right-hand channel endcap | 1 |
| | Painted channel cover, top door | 2 |
| Painted channel cover, top drawer | 2 | |
| Painted channel cover, bottom drawer | 2 | |

UNBOXING

Unboxing Instructions

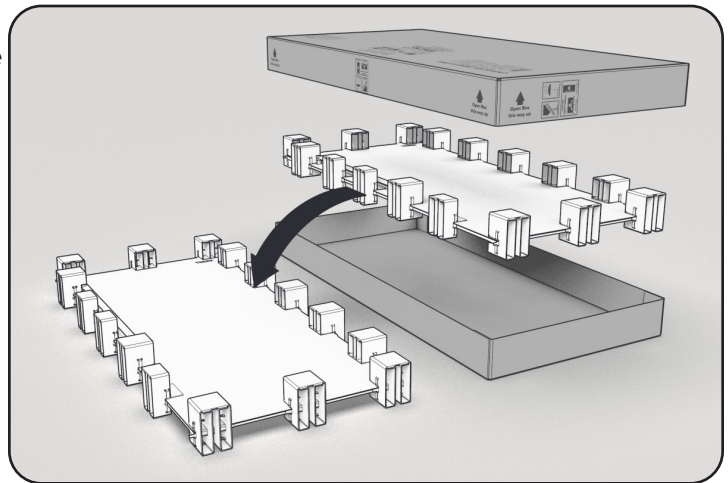
1. Cut the straps holding the box to the pallet.
2. Remove the small box marked "**Refrigeration Trim Parts – Do not discard**" from the pallet. Set aside for later.
3. Carefully remove the box from the pallet, place the box on its back so that the top of the box can be removed and the arrows on the sides point upward.



4. Remove Panel from Shipping Box:

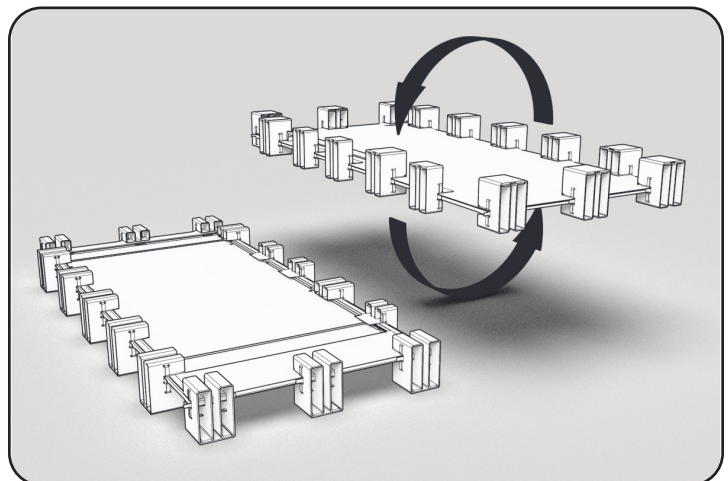
- Remove the top of the box, then carefully remove the glass panel AND the internal packaging from the bottom box. The internal packaging, which is wrapped around the glass, should hold the panel up off the floor until you are ready to install.

DO NOT REMOVE THE CARDBOARD PACKAGING AROUND THE PANEL UNTIL YOU ARE READY TO INSTALL.



5. Flip Panel Over:

- Carefully flip the glass panel(s) over so that the metal frame on the back-side can be accessed for inserting the mounting screws.

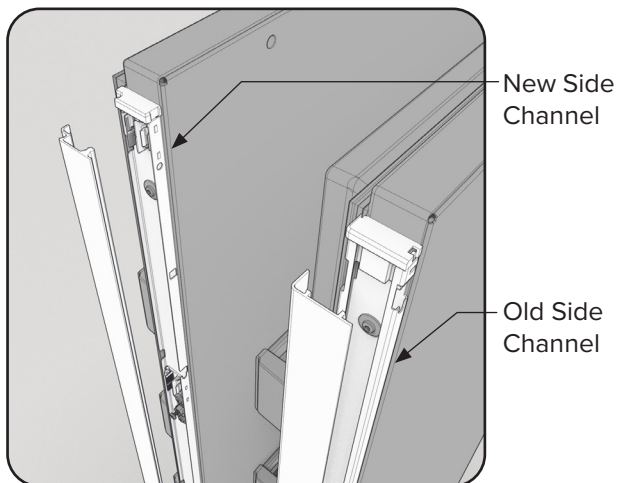


SIDE CHANNEL INSTALLATION

Side Channel Installation Instructions

1. Determine if Side Channel Replacement is Necessary:

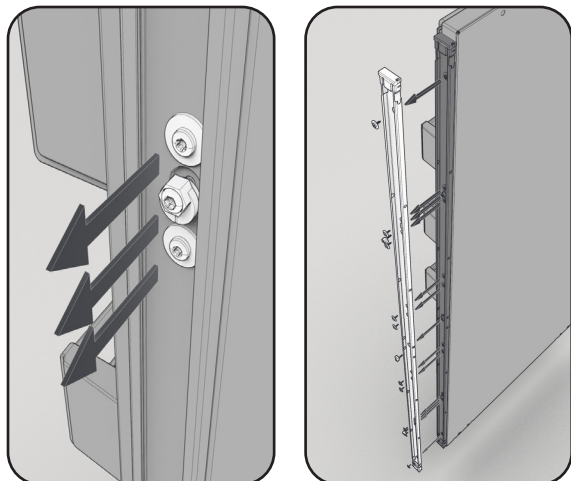
- If your unit has door side channels which look like the Old Side Channels shown below, continue with the following steps. If not, proceed to the section “Door Panel Installation” and continue with the install.



- Inside the “Refrigeration Trim Parts” box, there are:
 - 2 side channels,
 - 2 channel covers,
 - 2 endcaps,
 - All the necessary mounting fasteners EXCEPT the machine screw and cam, which should be reinstalled from the original product.

2. Remove the Side Channels:

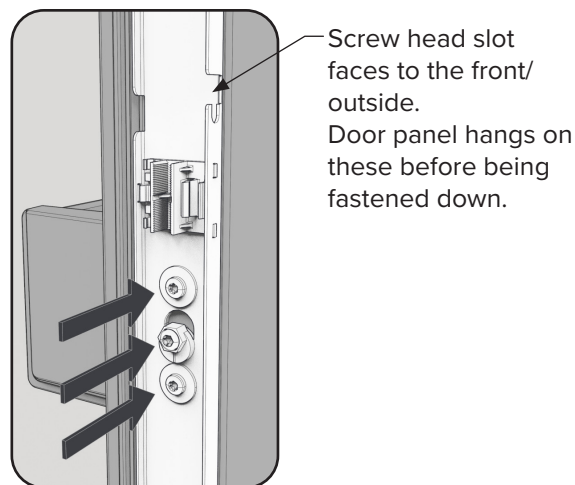
- Remove the side channel from both sides of the installed door by removing all fasteners. This includes those with the cam installed (three on each side). **DO NOT DISCARD THE BOLTS OR CAMS**, these will be reinstalled after mounting the new channels.



3. Mount the New Side Channels:

- Mount the two new side channels with the new screws provided with the kit and reuse the bolts and cams from the old channels. The screw head slot must face the outside door face with the screw head slot should point downwards.

When reinstalling the cams and machine screws, arrange them identically on both sides of the door to reduce the likelihood of misalignment and readjustment.



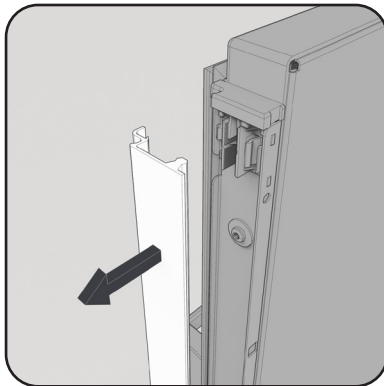
4. After mounting the side channels, proceed to “Door Panel Installation” section.

DOOR PANEL INSTALLATION

Door Panel Installation Instructions

1. Remove Side Trim:

- Remove side trim from the installed door to expose the door skin mounting holes and door skin adjustment cams.



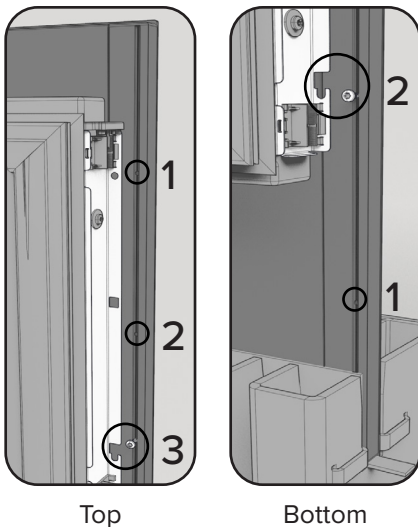
2. Insert Panel Mounting Alignment Screws:

- Using a T20 bit or screwdriver, partially drive 4 of the provided 8-18 screws into the hole related to the screw head slot location on the mounting channels. Screw should be driven about halfway into the door panel.



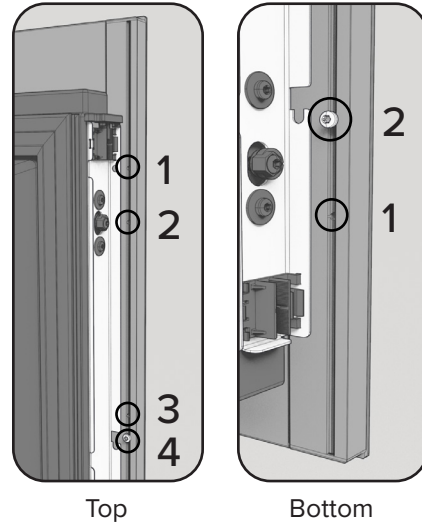
- For column products (All Refrigerator / All Freezer):

Use the 3th hole from the top and the 2nd hole from the bottom in the panel.

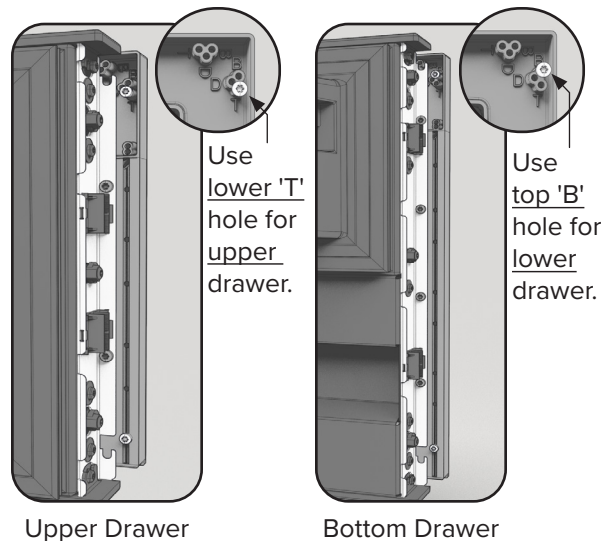


- For Bottom Freezer Refrigerator's (FBI7360W) upper refrigerator panel:

Use the 4th hole from the top and the 2nd hole from the bottom in the panel.

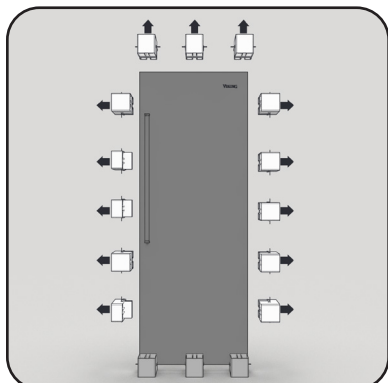


- For a Bottom Freezer Refrigerator's drawer panels, use the bottom hole, and the correct corresponding hole in the angle bracket (B or T).



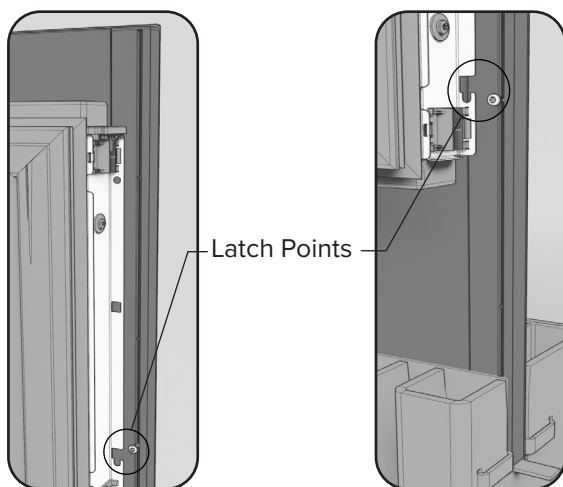
3. Prep for Door Attachment:

- Carefully lift the panel so that it is standing vertically on the cardboard supports.
- Except for the bottom cardboard supports, remove the remaining packaging material.



4. Attach the Door Panel to the Channels:

- Align the 4 partially screwed-in 8-18 screws in the door panel(s) with the screw head slots in the side channels on the door.
- Latch the panel to the door side channels using the partially inserted screws.



- Carefully open the door and gently tighten the latched screws the rest of the way, securing the panel to the door side channels.

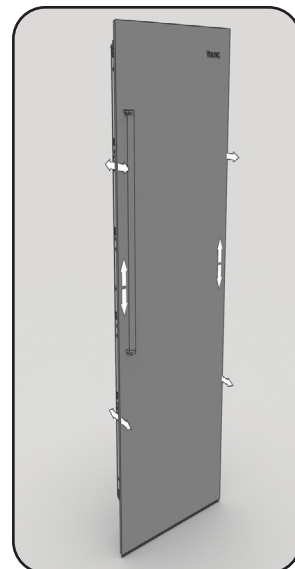
5. Remove any remaining packaging.

6. Fully mount the Door:

- Insert and tighten the remaining 8-18 screws to fully mount the door panel to the door channels.

7. Level and Adjust Door Alignment to Cabinetry:

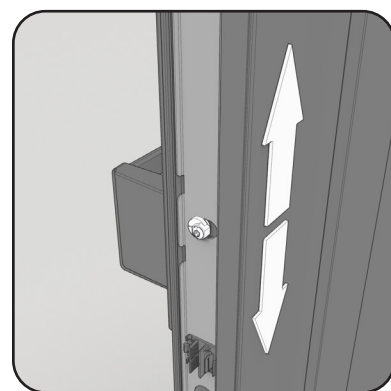
- If the door must be realigned, slightly loosen ALL screws holding the channels on either side of the door to allow adjustment using a T20 bit or screwdriver. This includes the screws with the cams. **DO NOT REMOVE ANY SCREWS**, there is room for the channels to move with the screws partially installed.



- Slowly adjust the top/bottom cams on both sides of the door, using the $\frac{3}{8}$ " socket and ratchet, to align the face of the door panel with the cabinets, and to ensure the panel is level. Do this on both sides.



- Slowly adjust the middle cams, using the $\frac{3}{8}$ " socket and ratchet, to align the top/bottom of the door vertically. Do this on both sides.



- Once the door panel(s) is properly aligned, tighten all screws using the T20 bit or screwdriver.

8. Replace Trim:

- Snap the side trim back into place by pressing on the outside of the trim with your hands over the area with the white clips. The side trim should be pressed up against the top endcaps.

Final Install Checklist

Read all installation instructions in this manual to see if the unit has been correctly installed before use.

Ensure that:

- The door panel is level and aligned with the surrounding cabinetry.
- The door panel is securely screwed to the appliance.

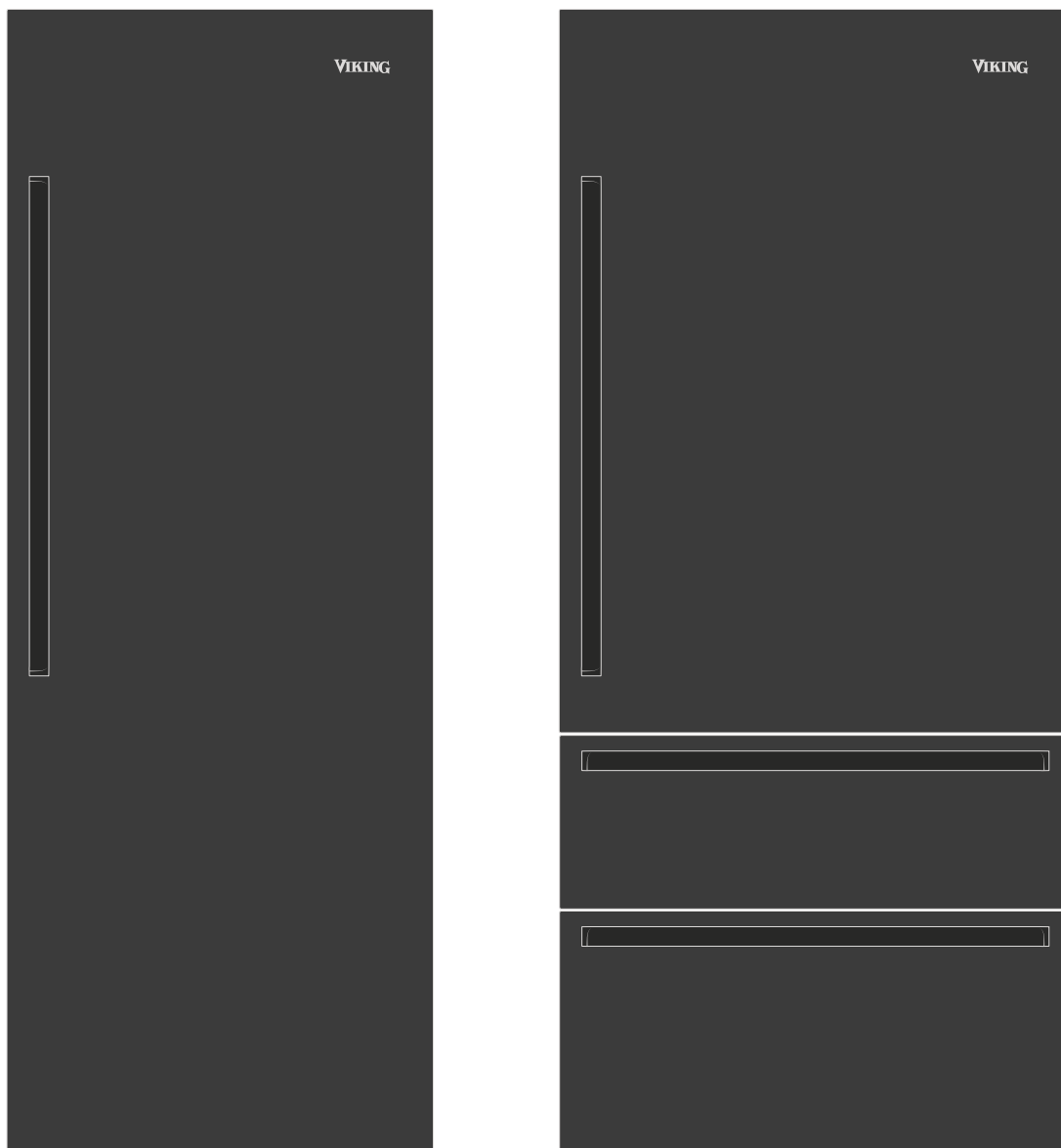
Notes

These installation instructions should remain with the unit for future reference.

Viking Range, LLC
111 Front Street
Greenwood, Mississippi 38930 USA
(662) 455-1200

For product information, call 1-888-845-4641
or visit our website at vikingrange.com

V I K I N G
R V L



Guía de instalación

RVL - Panel accesorio de cristal

Para todos los refrigeradores y todos los freezers, incluso refrigeradores con freezer inferior de la Serie 7

MVRDP6181RBG | MVRDP6241RBG | MVRDP6301RBG | MVDBP6361RBG
MVRDP6181LBG | MVRDP6241LBG | MVRDP6301LBG | MVDBP6361LBG



Índice

| | |
|--|--------------|
| Instrucciones importantes de seguridad. | ES-17 |
| Información general sobre la instalación del producto | ES-18 |
| Preparación para la instalación. | ES-18 |
| Herramientas que puede necesitar | ES-18 |
| Preparación del lugar de instalación | ES-18 |
| Recomendaciones para el traslado | ES-18 |
| Recomendaciones para el desembalaje | ES-18 |
| Dimensiones del producto | ES-19 |
| Accesorios y piezas incluidos. | ES-20 |
| Desembalaje | ES-22 |
| Instalación del canal lateral. | ES-23 |
| Instalación del panel de la puerta | ES-24 |
| Lista de comprobación de la instalación final. | ES-26 |
| Notas | ES-27 |
| Información sobre el servicio | ES-28 |

Instrucciones importantes de seguridad

¡Lea y siga!

Antes de empezar, lea atentamente y de forma completa estas instrucciones.

- Antes de manipularlo, inspeccione el cristal en busca de daños y astillas que puedan provocar una rotura espontánea.
- **NO** retire del producto las etiquetas, advertencias o placas fijadas de forma permanente. Esto puede anular la garantía.
- **NO UTILICE EL ASA DE LA PUERTA** para levantar el panel del embalaje. Utilice los bordes del panel para levantarlo o transportarlo.
- **NO** coloque la puerta en el borde del cristal. El cristal está templado y puede romperse si golpea ligeramente el suelo.
- Aunque no es necesario, considere la posibilidad de utilizar ventosas para facilitar la manipulación del panel de la puerta. Compruebe que la ventosa es adecuada para el peso del panel.
- Tenga cuidado de no lastimarse durante el montaje.
- Deben respetarse todos los códigos y ordenanzas locales y nacionales. La instalación debe ajustarse a los códigos locales.
- El instalador debe dejar estas instrucciones al consumidor, quien debe conservarlas para uso del inspector local y para una referencia futura.



ADVERTENCIAS

PELIGRO DE MOVIMIENTO

- Para evitar el riesgo de lesiones personales graves; los paneles de cristal de gran tamaño pueden requerir dos o más personas durante su manipulación y traslado.
- Utilice guantes antideslizantes.

Daños en el producto

- NO utilice el asa para levantar el panel de cristal.

Seguridad y uso personal

- Los paneles accesorios de cristal pueden ser pesados dependiendo del tamaño, extreme las precauciones al manipularlos.
- Durante la instalación, utilice guantes y gafas de seguridad con protecciones laterales. El panel accesorio de cristal puede romperse si el borde del cristal recibe un golpe suficientemente fuerte con un objeto duro. Aunque el cristal templado está diseñado para romperse en pedazos y no en fragmentos pequeños, esto no excluye la posibilidad de que se creen fragmentos o de que los pedazos rotos sean afilados.
- Este accesorio no está destinado a ser utilizado por personas (incluidos niños) cuyas capacidades físicas, sensoriales o mentales sean diferentes o estén reducidas, o que carezcan de experiencia o conocimientos, a menos que dichas personas reciban supervisión o formación para el manejo del artefacto por parte de una persona responsable de su seguridad. Debe vigilarse a los niños para asegurarse de que no utilizan los dispositivos como un juguete.

GUARDE ESTAS INSTRUCCIONES

INFORMACIÓN GENERAL SOBRE LA INSTALACIÓN DEL PRODUCTO

Preparación para la instalación

Instaladores, es su responsabilidad...

- Asegúrese de tener a mano las herramientas y materiales necesarios para instalar la unidad.
- Antes de la instalación, inspeccione el accesorio y tome nota de los defectos, rayones y otros aspectos estéticos.

Información sobre el diseño

Los paneles accesorios de cristal RVL están diseñados para su uso con todos los refrigeradores, freezers y refrigeradores con freezers de montaje inferior de la Serie 7.

Herramientas que puede necesitar

- Taladro eléctrico
- Destornillador (o broca) T20
- Trinquete y llave de vaso de $\frac{3}{8}$ "

Preparación del lugar de instalación

- Retire cualquier mueble innecesario u otro objeto que pueda estorbar durante la instalación.
- Considere la posibilidad de colocar una manta cerca en caso de que sea necesario volver a colocar el panel de cristal durante la instalación.
- Nota: Se recomienda realizar una inspección minuciosa del lugar ANTES de desembalar y trasladar este kit de paneles.
- Compruebe y asegúrese de que ha pedido el modelo de puerta correcto y que sea del lado que usted necesite (modelo de mano izquierda o derecha).

Recomendaciones para el traslado

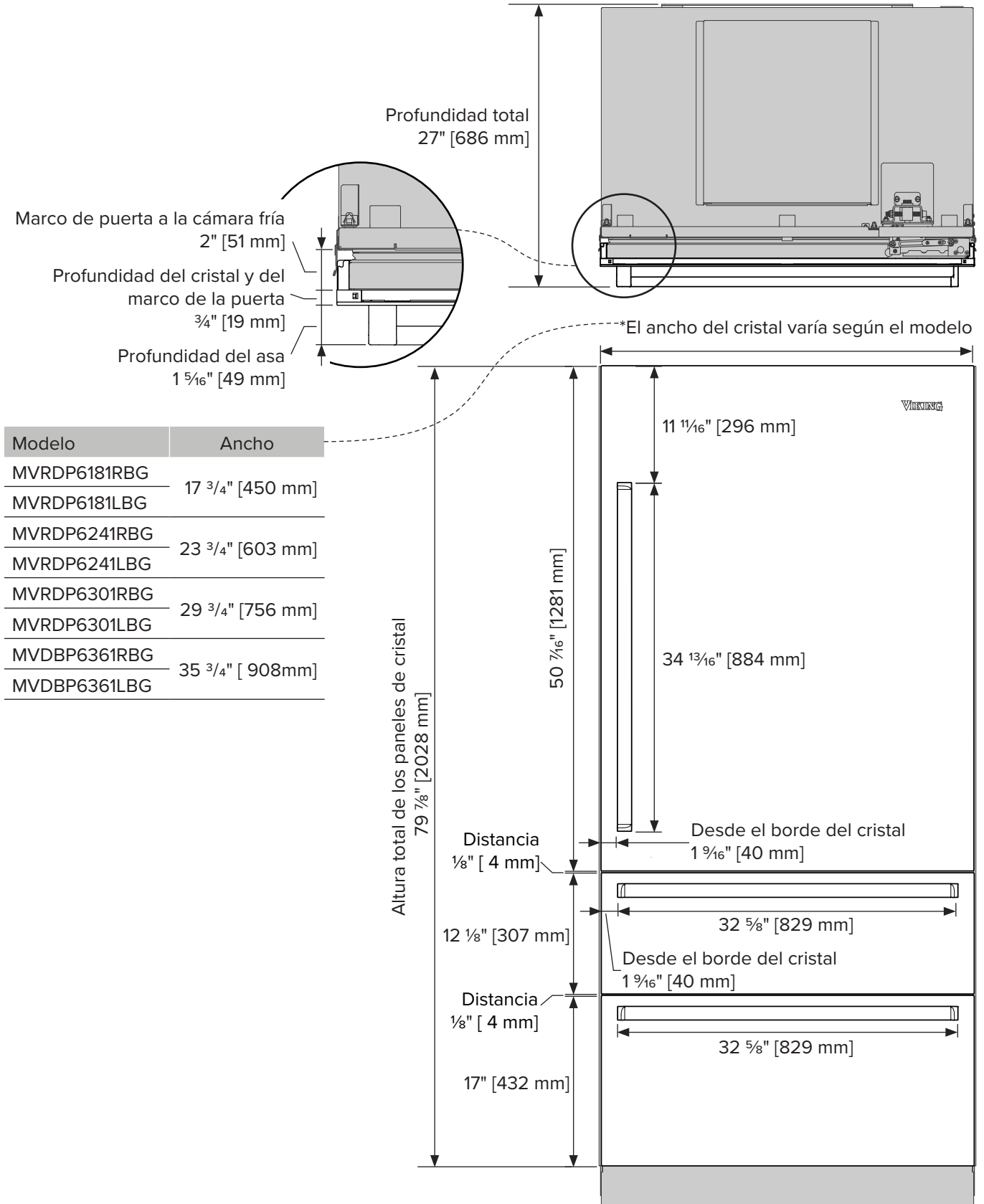
- Debe utilizarse el equipamiento adecuado para mover e instalar los paneles de cristal
 - Gafas de seguridad con protecciones laterales.
 - Guantes de trabajo engomados
 - Ventosas
- SIEMPRE tome medidas para proteger el piso del lugar de instalación cuando mueva los productos.
- NUNCA levante ni utilice las asas superiores de la puerta mientras mueve e instala el panel accesorio de cristal. Podría romper el cristal.

Recomendaciones para el desembalaje

- NO retire el embalaje protector hasta que esté listo para realizar la instalación.
- NO retire el envoltorio protector del panel de cristal hasta que el producto esté instalado.

Dimensiones del producto

El modelo MVDBP6301RBG sirve de referencia para el diagrama de dimensiones adjunto, elegido por sus medidas completas y adaptables. Estas medidas pueden aplicarse eficazmente como patrón para evaluar las dimensiones de los accesorios adicionales de los paneles de cristal. Las dimensiones proporcionadas a continuación ofrecen una base fiable para extrapolar los tamaños de otros modelos de la serie.



Accesorios y piezas incluidos

La siguiente tabla muestra las piezas que vienen con cada uno de estos paneles de puerta. Tenga en cuenta que todos los modelos llevan una «D» o una «I» en el número de modelo (Ej: MVRDP6181**D**BG, MVRDP6181**I**BG). Indica la dirección de giro para la que se diseñaron estos paneles. «D» corresponde a un producto con bisagra a la derecha; «I» corresponde a un producto con bisagra a la izquierda.

| Modelo | Pieza | Cant. | Modelo | Pieza | Cant. |
|---------------------|------------------------------------|---------------------|---------------------|------------------------------------|-------|
| MVRDP6181RBG | Panel de cristal derecho de 18" | 1 | MVRDP6241LBG | Panel de cristal derecho de 24" | 1 |
| | Tornillo Torx 20 de 8-18 x 1/2" | 36 | | Tornillo Torx 20 de 8-18 x 1/2" | 36 |
| | Arandela de 0,625 | 20 | | Arandela de 0,625 | 20 |
| | 083408-000 Guía de instalación | 1 | | 083408-000 Guía de instalación | 1 |
| | Canal C derecho con pinzas | 1 | | Canal C derecho con pinzas | 1 |
| | Canal C izquierdo con pinzas | 1 | | Canal C izquierdo con pinzas | 1 |
| | Pieza terminal del canal derecho | 1 | | Pieza terminal del canal derecho | 1 |
| | Pieza terminal del canal izquierdo | 1 | | Pieza terminal del canal izquierdo | 1 |
| Cubre canal pintado | 2 | Cubre canal pintado | 2 | | |
| MVRDP6181LBG | Panel de cristal derecho de 18" | 1 | MVRDP6301RBG | Panel de cristal derecho de 30" | 1 |
| | Tornillo Torx 20 de 8-18 x 1/2" | 36 | | Tornillo Torx 20 de 8-18 x 1/2" | 36 |
| | Arandela de 0,625 | 20 | | Arandela de 0,625 | 20 |
| | 083408-000 Guía de instalación | 1 | | 083408-000 Guía de instalación | 1 |
| | Canal C derecho con pinzas | 1 | | Canal C derecho con pinzas | 1 |
| | Canal C izquierdo con pinzas | 1 | | Canal C izquierdo con pinzas | 1 |
| | Pieza terminal del canal derecho | 1 | | Pieza terminal del canal derecho | 1 |
| | Pieza terminal del canal izquierdo | 1 | | Pieza terminal del canal izquierdo | 1 |
| Cubre canal pintado | 2 | Cubre canal pintado | 2 | | |
| MVRDP6241RBG | Panel de cristal derecho de 24" | 1 | MVRDP6301LBG | Panel de cristal derecho de 30" | 1 |
| | Tornillo Torx 20 de 8-18 x 1/2" | 36 | | Tornillo Torx 20 de 8-18 x 1/2" | 36 |
| | Arandela de 0,625 | 20 | | Arandela de 0,625 | 20 |
| | 083408-000 Guía de instalación | 1 | | 083408-000 Guía de instalación | 1 |
| | Canal C derecho con pinzas | 1 | | Canal C derecho con pinzas | 1 |
| | Canal C izquierdo con pinzas | 1 | | Canal C izquierdo con pinzas | 1 |
| | Pieza terminal del canal derecho | 1 | | Pieza terminal del canal derecho | 1 |
| | Pieza terminal del canal izquierdo | 1 | | Pieza terminal del canal izquierdo | 1 |
| Cubre canal pintado | 2 | Cubre canal pintado | 2 | | |

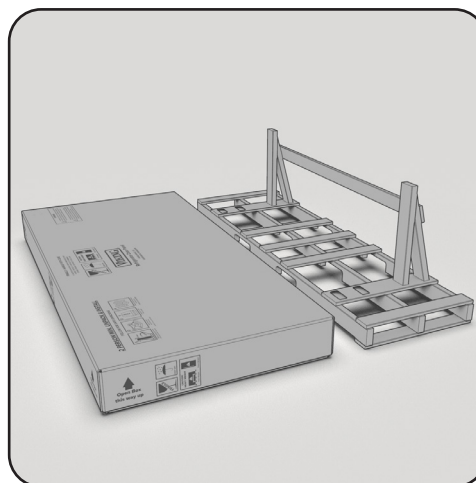
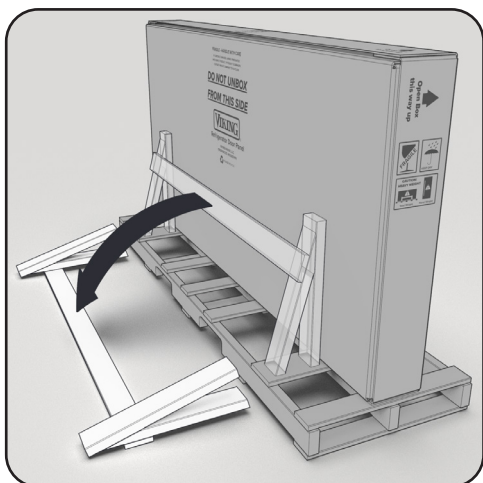
| Modelo | Pieza | Cant. |
|---------------------|---|-------|
| MVDBP6361RBG | Panel superior del cristal derecho de 36" | 1 |
| | Panel de cristal del cajón superior | 1 |
| | Panel de cristal del cajón inferior | 1 |
| | Tornillo Torx 20 de 8-18 x 1/2" | 66 |
| | Arandela de 0,625 | 34 |
| | 083408-000 Guía de instalación | 1 |
| | Canal C derecho con pinzas, puerta superior | 1 |
| | Canal C izquierdo con pinzas, puerta superior | 1 |
| | Canal C izquierdo con pinzas, puerta superior | 1 |
| | Canal C izquierdo con pinzas, cajón superior | 1 |
| | Canal C derecho con pinzas, cajón inferior | 1 |
| | Canal C izquierdo con pinzas, cajón inferior | 1 |
| | Pieza terminal del canal izquierdo | 1 |
| | Pieza terminal del canal derecho | 1 |
| | Cubre canal pintado, puerta superior | 2 |
| | Cubre canal pintado, cajón superior | 2 |
| | Cubre canal pintado, cajón inferior | 2 |

| Modelo | Pieza | Cant. |
|-------------------------------------|---|-------|
| MVDBP6361LBG | Panel superior del cristal derecho de 36" | 1 |
| | Panel de cristal del cajón superior | 1 |
| | Panel de cristal del cajón inferior | 1 |
| | Tornillo Torx 20 de 8-18 x 1/2" | 66 |
| | Arandela de 0,625 | 34 |
| | 083408-000 Guía de instalación | 1 |
| | Canal C derecho con pinzas, puerta superior | 1 |
| | Canal C izquierdo con pinzas, puerta superior | 1 |
| | Canal C izquierdo con pinzas, puerta superior | 1 |
| | Canal C izquierdo con pinzas, puerta superior | 1 |
| | Canal C izquierdo con pinzas, cajón superior | 1 |
| | Canal C derecho con pinzas, cajón inferior | 1 |
| | Canal C izquierdo con pinzas, cajón inferior | 1 |
| | Pieza terminal del canal izquierdo | 1 |
| | Pieza terminal del canal derecho | 1 |
| | Cubre canal pintado, puerta superior | 2 |
| | Cubre canal pintado, cajón superior | 2 |
| Cubre canal pintado, cajón inferior | 2 | |

DESEMBALAJE

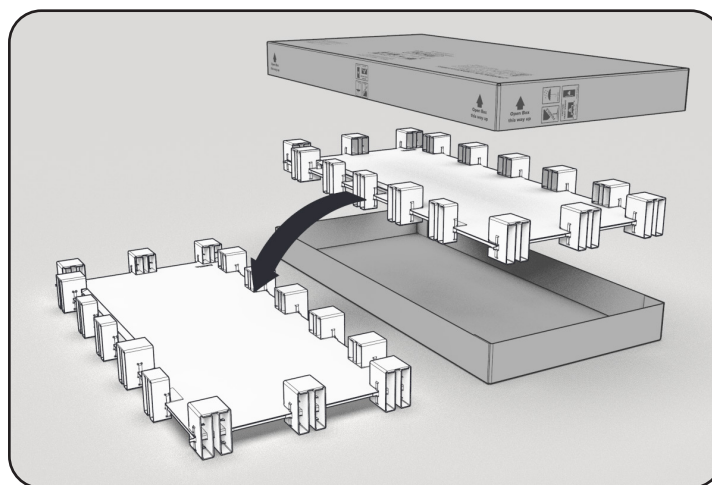
Instrucciones de desembalaje

1. Retire la franja que sujeta la caja al palé.
2. Retire del palé la caja pequeña marcada como “*Piezas de molduras de refrigeración - No las deseche*”. Consérvelas para más tarde.
3. Retire con cuidado la caja del palé, coloque la caja boca arriba de forma que se pueda retirar la parte superior y las flechas de los laterales apunten hacia arriba.

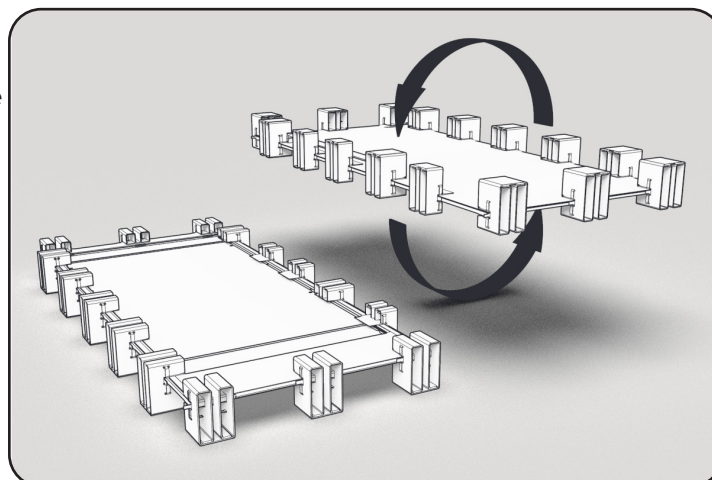


4. Retirar el panel de la caja de envío:
 - Separe la parte superior de la caja y, a continuación, retire con cuidado el panel de cristal Y el embalaje interno de la caja inferior. El embalaje interno, que envuelve el cristal, debe mantener el panel levantado del suelo hasta que esté listo para instalarlo.

NO RETIRE EL EMBALAJE DE CARTÓN QUE RODEA EL PANEL HASTA QUE ESTÉ LISTO PARA INSTALARLO.



5. Voltrear el panel:
 - Gire con cuidado al panel o paneles de cristal para poder acceder al marco metálico de la parte posterior e insertar los tornillos de montaje.

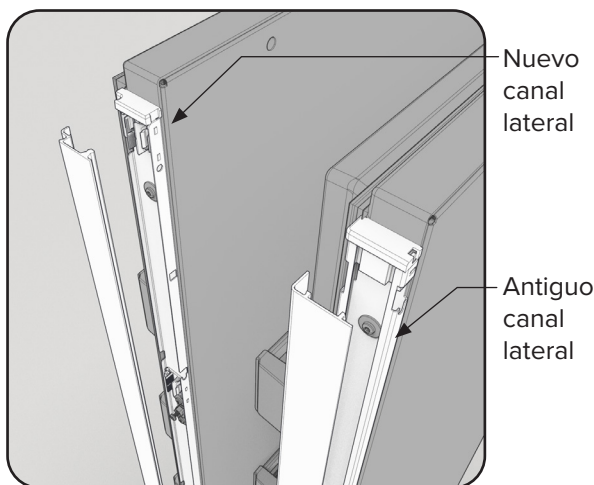


INSTALACIÓN DEL CANAL LATERAL

Instrucciones para la instalación del canal lateral

1. Evaluar si es necesaria la sustitución del canal lateral:
3. Montar los nuevos canales laterales:

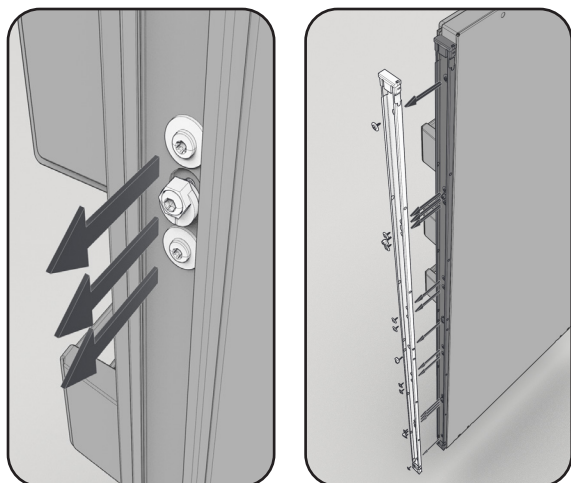
- Si su unidad tiene canales laterales de puerta que se parecen a los canales laterales antiguos que se muestran a continuación, siga con los siguientes pasos. Si no es así, pase a la sección “Instalación del panel de la puerta” y continúe con la instalación.



- Dentro de la caja “Piezas de molduras de refrigeración”, se encuentran:
 - 2 canales laterales,
 - 2 cubrecanales,
 - 2 piezas de terminación,
 - Todas las fijaciones de montaje necesarias EXCEPTO el tornillo de máquina y la leva, que deben reinstalarse del producto original.

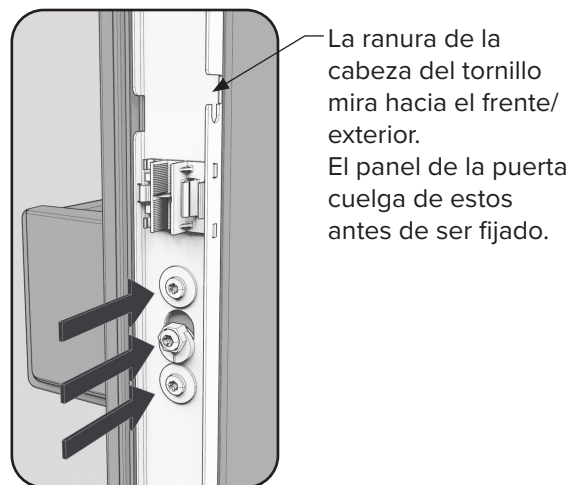
2. Retirar los canales laterales:

- Quite el canal lateral de ambos lados de la puerta instalada retirando todas las sujeciones. Esto incluye los que tienen la leva instalada (tres en cada lado). **NO DESECHE LOS TORNILLOS NI LAS LEVAS**, estos se volverán a instalar después de montar los nuevos canales.



- Coloque los dos nuevos canales laterales con los tornillos nuevos suministrados con el kit y reutilice los pernos y las levas de los canales antiguos. La ranura de la cabeza del tornillo debe mirar hacia la cara exterior de la puerta y la ranura de la cabeza del tornillo debe apuntar hacia abajo.

Cuando vuelva a instalar las levas y los tornillos de máquina, colóquelos de forma idéntica en ambos lados de la puerta para reducir la probabilidad de desajustes y reajustes.



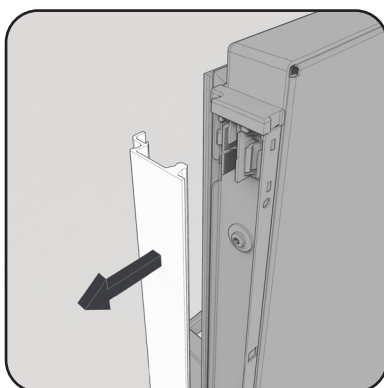
4. Después de montar los canales laterales, pase a la sección “Instalación del panel de la puerta”.

INSTALACIÓN DEL PANEL DE LA PUERTA

Instrucciones para la instalación del panel de la puerta

1. Quitar la moldura lateral:

- Retire la moldura lateral de la puerta instalada para exponer los orificios de montaje y las levas de ajuste del revestimiento de la puerta.



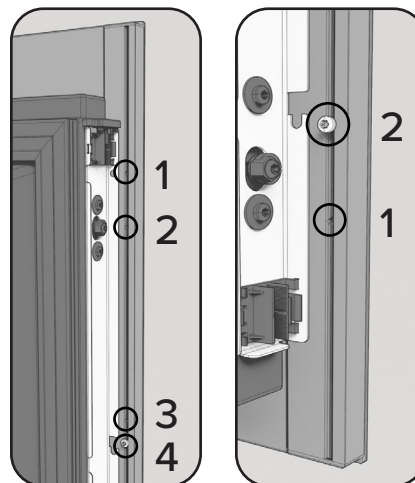
2. Colocar los tornillos de alineación del montaje del panel:

- Utilizando una broca T20 o un destornillador, introduzca parcialmente 4 de los tornillos de 8-18 suministrados en el orificio relacionado con la ubicación de la ranura de la cabeza del tornillo en los canales de montaje. El tornillo debe introducirse aproximadamente hasta la mitad del panel de la puerta.



- Para el panel superior del frigorífico con freezer inferior (FBI7360W):

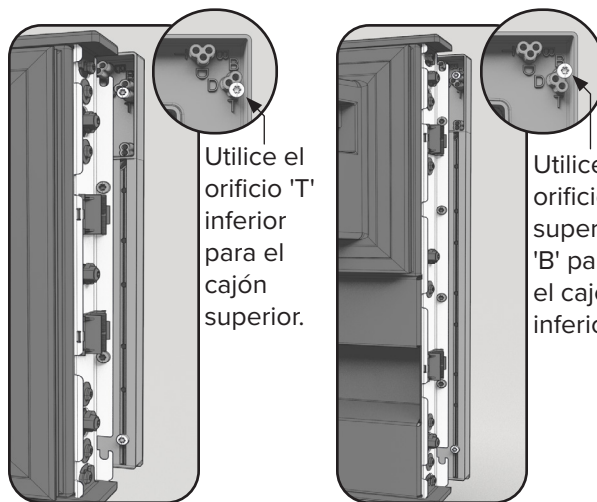
Utilice el 4^{to} agujero desde arriba y el 2^{do} agujero desde abajo en el panel.



Parte superior

Parte inferior

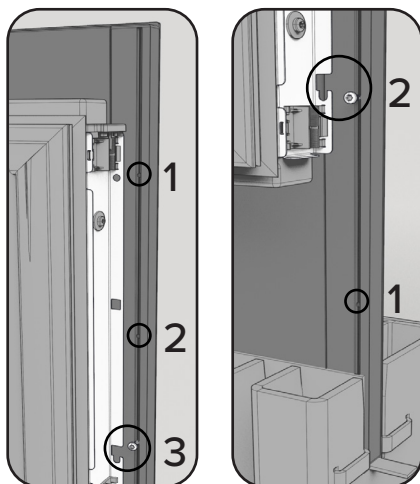
- Para los paneles de cajón de un refrigerador con freezer inferior, utilice el orificio inferior y el orificio correspondiente correcto en el soporte angular (B o T).



Cajón superior

Cajón inferior

Utilice el 3^{er} orificio desde arriba y el 2^{do} desde abajo en el panel.

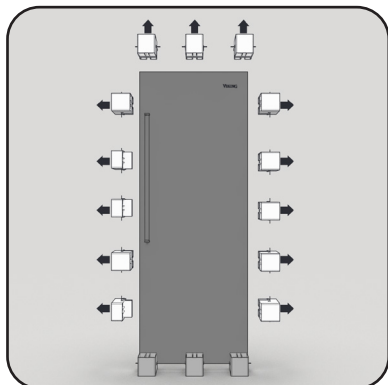


Parte superior

Parte inferior

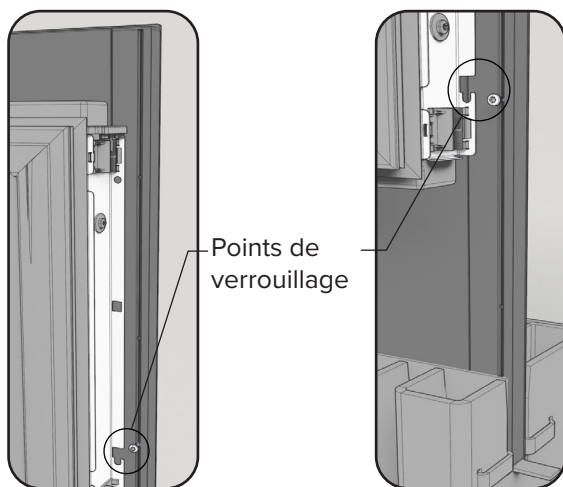
3. Preparación para colocar la puerta:

- Levante con cuidado el panel para que quede vertical sobre los soportes de cartón.
- A excepción de los soportes de cartón inferiores, retire el resto del material de embalaje.



4. Fijar el panel de la puerta a los canales:

- Alinee los 4 tornillos de 8-18 parcialmente atornillados en el panel o paneles de la puerta con las ranuras de las cabezas de los tornillos en los canales laterales de la puerta.
- Fije el panel a los canales laterales de la puerta con los tornillos parcialmente insertados.



- Abra con cuidado la puerta y apriete suavemente los tornillos hasta el tope, asegurando el panel a los canales laterales de la puerta.

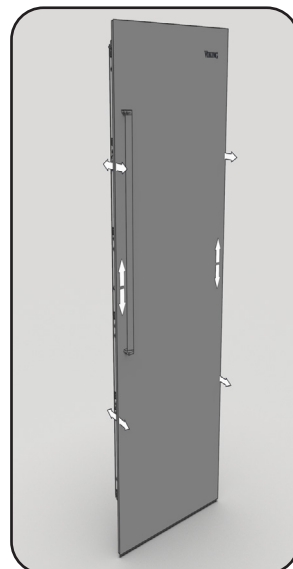
5. Retire cualquier resto de embalaje.

6. Montar completamente la puerta:

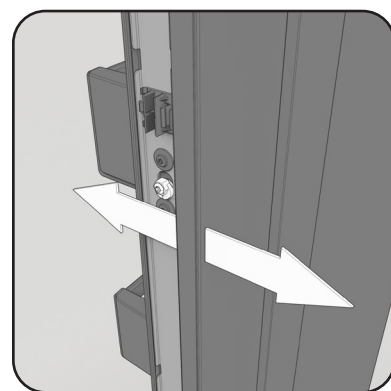
- Inserte y apriete los tornillos de 8-18 restantes para montar completamente el panel de la puerta a los canales de la puerta.

7. Nivelar y ajustar la alineación de la puerta con el mueble:

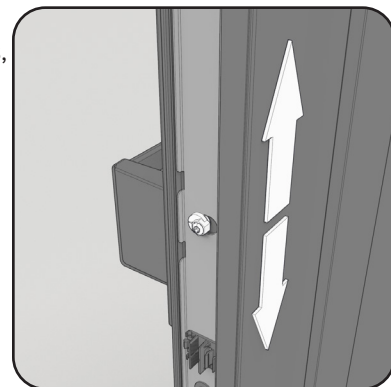
- Si es necesario realinear la puerta, afloje ligeramente TODOS los tornillos que sujetan los canales a ambos lados de la puerta para permitir el ajuste utilizando una broca T20 o un destornillador. Esto incluye los tornillos con las levas. **NO quite ningún tornillo**, hay espacio para que los canales se muevan con los tornillos parcialmente instalados.



- Ajuste lentamente las levas superior/inferior a ambos lados de la puerta, utilizando la llave de vaso de 3/8" y el trinquete, para alinear la cara del panel de la puerta con los armarios, y para asegurarse de que el panel está nivelado. Haga esto en ambos lados.



- Ajuste lentamente las levas centrales, utilizando la llave de vaso de 3/8" y el trinquete, para alinear verticalmente la parte superior/inferior de la puerta. Haga esto en ambos lados.



- Una vez que el panel o paneles de la puerta estén correctamente alineados, apriete todos los tornillos utilizando la broca T20 o un destornillador.

8. Sustituir molduras:

- Vuelva a encajar la moldadura lateral en su sitio presionando con las manos en su parte exterior sobre la zona con los clips blancos. La moldadura lateral debe quedar presionada contra las piezas terminales superiores.

Lista de comprobación de la instalación final

Lea todas las instrucciones de instalación de este manual para comprobar que la unidad se ha instalado correctamente antes de utilizarla.

Asegúrese de que:

- El panel de la puerta está nivelado y alineado con el mueble circundante.
- El panel de la puerta está bien atornillado al artefacto.

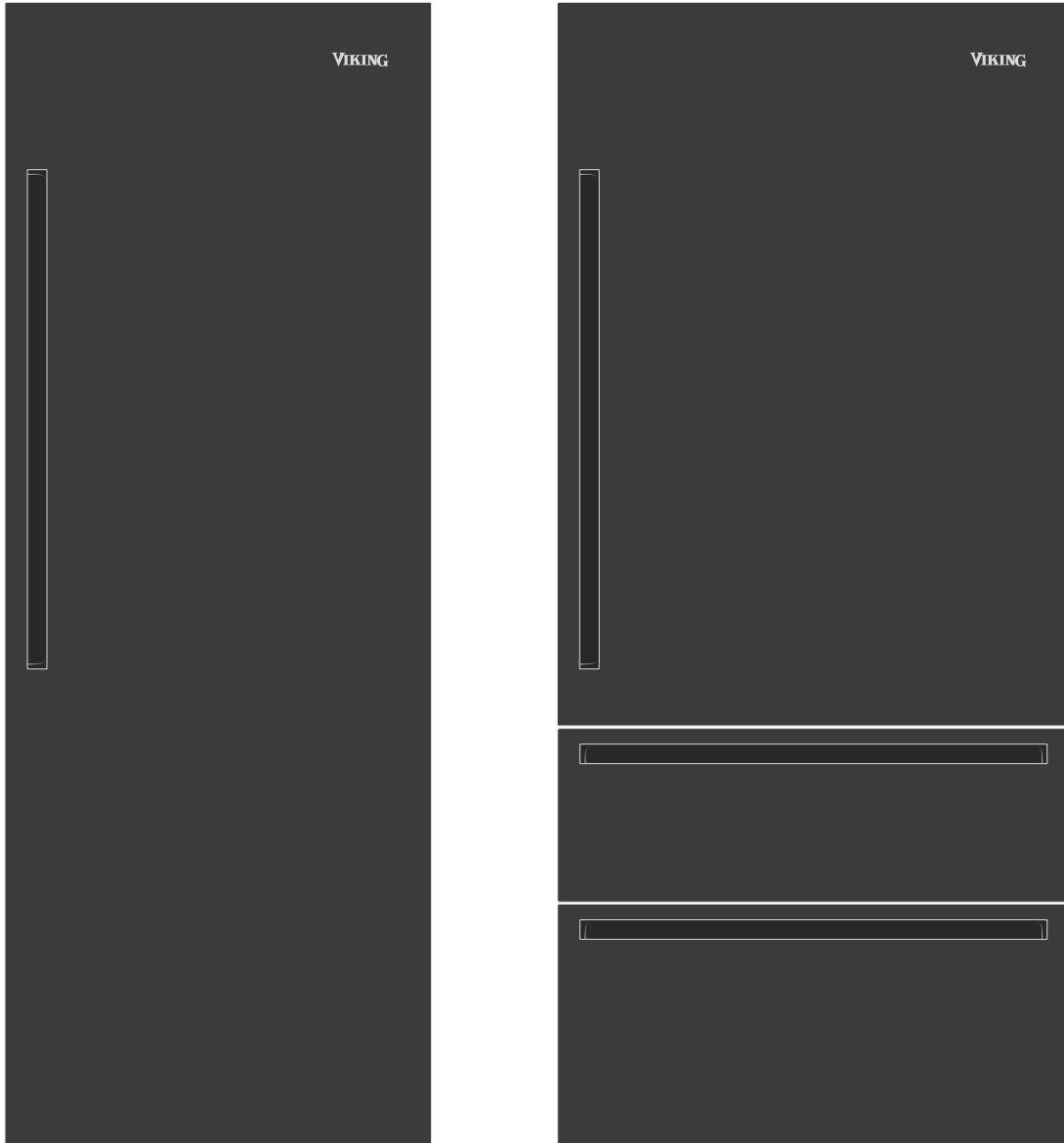
Notas

Estas instrucciones de instalación deben permanecer con la unidad para una referencia futura.

Viking Range, LLC
111 Front Street
Greenwood, Mississippi 38930 Estados Unidos
(662) 455-1200

Para obtener información sobre el producto, llame al
1-888-845-4641 o visite nuestro sitio web en vikingrange.com

V I K I N G
R V L



VIKING

Guide d'installation

RVL - Panneau accessoire en verre

Série 7 Tous les réfrigérateurs, tous les congélateurs et tous les réfrigérateurs à congélateur inférieur

MVRDP6181RBG | MVRDP6241RBG | MVRDP6301RBG | MVDBP6361RBG
MVRDP6181LBG | MVRDP6241LBG | MVRDP6301LBG | MVDBP6361LBG



Table des matières

| | |
|--|--------------|
| Consignes de sécurité importantes | FR-31 |
| Renseignements généraux sur l'installation du produit | FR-32 |
| Préparation de l'installation. | FR-32 |
| Outils dont vous pourriez avoir besoin | FR-32 |
| Préparation du site | FR-32 |
| Recommandations pour le déménagement | FR-32 |
| Recommandations pour le déballage | FR-32 |
| Dimensions du produit | FR-33 |
| Accessoires et pièces inclus | FR-34 |
| Déballage | FR-36 |
| Installation des canaux latéraux | FR-37 |
| Installation du panneau de porte. | FR-38 |
| Liste de vérification finale de l'installation. | FR-40 |
| Remarques | FR-41 |
| Renseignements de service. | FR-42 |

Consignes de sécurité importantes

À lire et à suivre!

Avant de commencer, veuillez lire entièrement et attentivement ces instructions.

- Inspectez le verre pour déceler tout dommage ou éclat susceptible de provoquer une rupture spontanée avant de le manipuler.
- **NE** retirez **PAS** les étiquettes, les avertissements ou les plaques apposés en permanence sur le produit. Cela peut annuler la garantie.
- **N'UTILISEZ PAS LA POIGNÉE DE PORTE** pour soulever le panneau de l'emballage. Utilisez les bords du panneau pour soulever ou transporter.
- **NE** posez **PAS** la porte sur le bord de la vitre. Le verre est trempé et peut se briser s'il heurte légèrement le sol.
- Bien que cela ne soit pas nécessaire, pensez à utiliser des ventouses pour faciliter la manipulation du panneau de porte. Revérifiez que la ventouse est conçue pour le poids du panneau.
- Soyez prudent lors de l'assemblage pour minimiser les rayures.
- Tous les codes et toutes les ordonnances locaux et nationaux doivent être respectés. L'installation doit se conformer aux codes locaux.
- L'installateur doit laisser ces consignes au consommateur qui doit les conserver pour l'usage de l'inspecteur local et à titre de référence future.



AVERTISSEMENTS

RISQUE DE DÉPLACEMENT

- Pour éviter tout risque de blessure grave, cet appareil doit être manipulé et déplacé par au moins deux personnes.
- Utilisez des gants antidérapants.

Domage causé au produit

- **N'utilisez PAS** la poignée pour soulever le panneau de verre.

Sécurité personnelle et utilisation

- Les panneaux accessoires en verre peuvent être lourds selon leur taille – soyez extrêmement prudent lors de leur manipulation.
- Portez des lunettes de sécurité avec protections latérales et des gants lors de l'installation. Le panneau accessoire en verre peut se briser si le bord du verre est heurté suffisamment fort par un objet dur. Bien que le verre trempé soit conçu pour s'effondrer en morceaux plutôt qu'en éclats, cela n'exclut pas la possibilité de création d'éclats ou de morceaux émiétés d'être tranchants.
- Cet accessoire n'est pas destiné à être utilisé par des personnes (y compris des enfants) dont les capacités physiques, sensorielles ou mentales sont différentes ou réduites, ou qui manquent d'expérience ou de connaissances, à moins que ces personnes ne soient supervisées ou formées pour le fonctionnement de l'appareil par une personne responsable pour leur sécurité. Les enfants doivent être surveillés, afin de s'assurer qu'ils n'utilisent pas les appareils comme des jouets.

CONSERVEZ CES CONSIGNES

RENSEIGNEMENTS GÉNÉRAUX SUR L'INSTALLATION DU PRODUIT

Préparation de l'installation

Installateurs, il est de votre responsabilité de...

- Assurez-vous que vous disposez des outils et du matériel nécessaires pour installer l'appareil avant de déballer l'appareil.
- Avant l'installation, inspectez l'accessoire, et notez les défauts, rayures et autres problèmes esthétiques.

Renseignements sur la conception

Les panneaux d'accessoires en verre RVL sont conçus pour être utilisés avec tous les réfrigérateurs, tous les congélateurs et les réfrigérateurs à congélateur inférieur de la série 7.

Outils dont vous pourriez avoir besoin

- Perceuse électrique
- Tournevis (ou embout) T20
- Cliquet et prise de $\frac{3}{8}$ po

Préparation du site

- Retirez tout meuble inutile ou autre objet qui pourrait gêner lors de l'installation.
- Pensez à placer une couverture à proximité au cas où le panneau de verre devrait être reposé lors de l'installation.
- Remarque : Il est recommandé d'effectuer une inspection approfondie du site AVANT de déballer et de déplacer ce panneau.
- Revérifiez et assurez-vous que le bon modèle de porte et que la bonne porte (modèle pour gaucher ou droitier) a été commandée.

Recommandations pour le déménagement

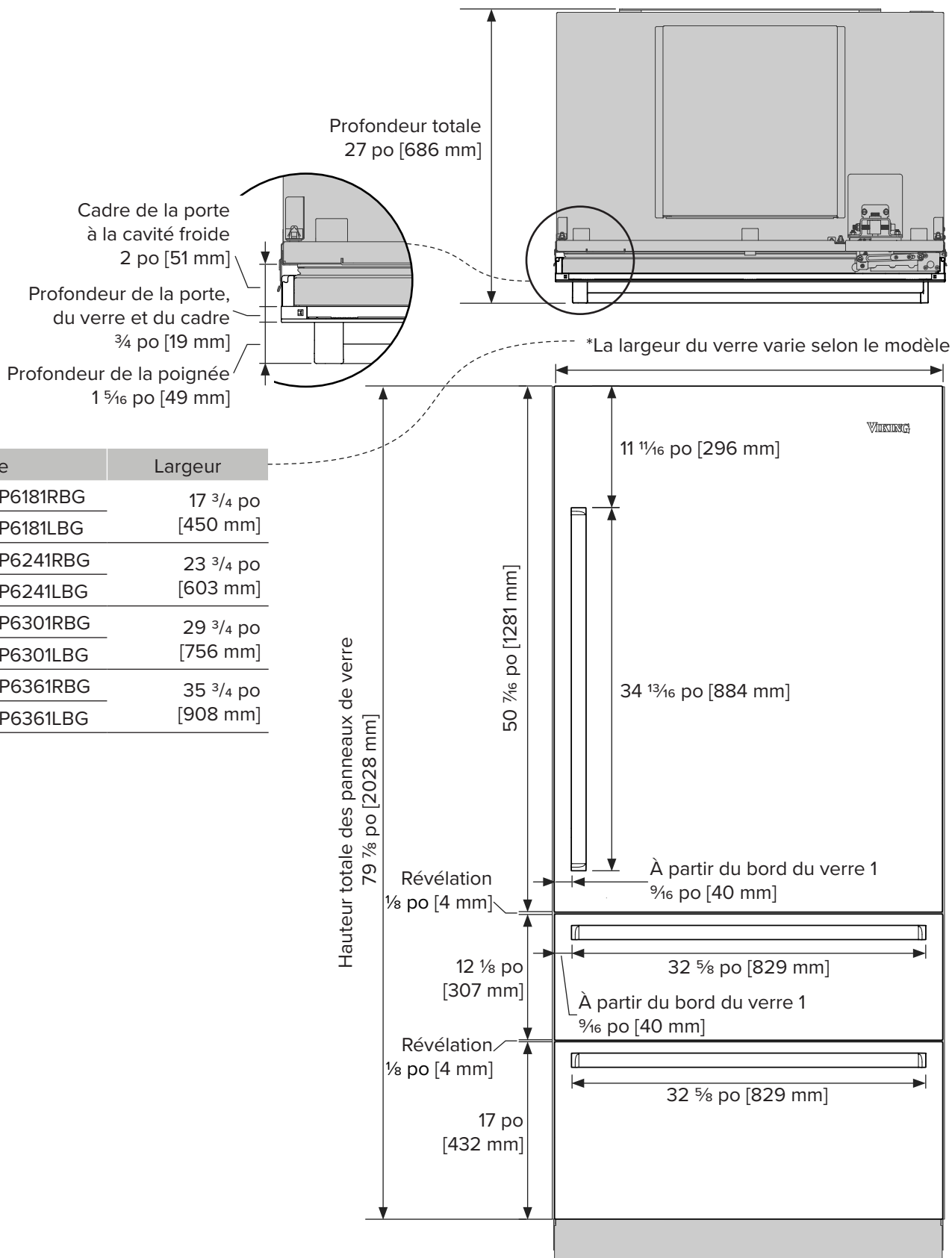
- Un équipement approprié doit être utilisé pour déplacer et installer les panneaux de verre.
 - Lunettes de sécurité avec panneaux latéraux.
 - Gants de travail caoutchoutés
 - Ventouses
- Prenez TOUJOURS des mesures pour protéger le revêtement de sol sur le lieu d'installation lors du déplacement des produits.
- NE soulevez ou N'utilisez JAMAIS les poignées de porte lors du déplacement et de l'installation du panneau. Cela brisera le verre.

Recommandations pour le déballage

- NE retirez PAS l'emballage de protection avant d'être prêt à effectuer l'installation.
- NE retirez PAS l'emballage protecteur du panneau de verre tant et aussi longtemps que le produit n'est pas installé.

Dimensions du produit

Le modèle MVDBP6301RBG sert de référence pour le diagramme de dimensions ci-joint, choisi pour ses mesures complètes et adaptables. Ces mesures peuvent être appliquées efficacement comme norme pour évaluer les dimensions des accessoires de panneaux de verre supplémentaires. Les dimensions indiquées ci-dessous constituent une base fiable pour l'extrapolation des dimensions des autres modèles de la série.



Accessoires et pièces inclus

Le tableau ci-dessous présente les pièces fournies avec chacun de ces panneaux de porte. Veuillez noter que tous les modèles ont un « R » ou un « L » dans le numéro de modèle (Ex : MVRDP6181RBG, MVRDP6181LBG). Cela indique la direction d'oscillation pour laquelle ces panneaux ont été conçus. « R » désigne un produit à droite (charnière droite) ; « L » correspond à un produit à gauche (charnière gauche).

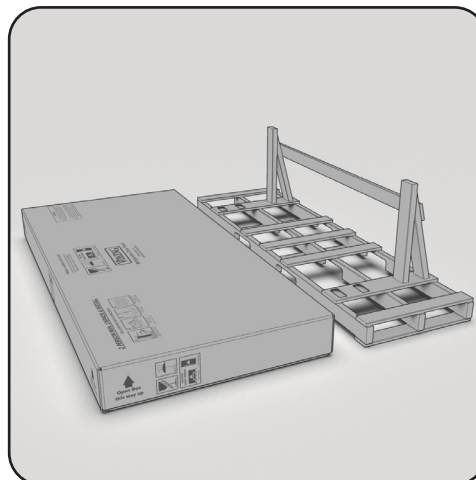
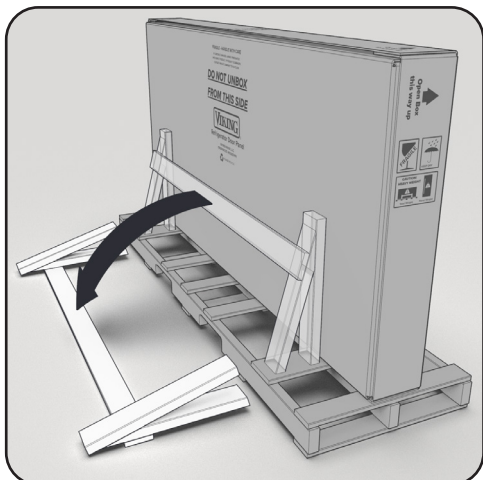
| Modèle | Pièce | Qté | Modèle | Pièce | Qté |
|---------------------------|---------------------------------|---------------------------|---------------------|---------------------------------|-----|
| MVRDP6181RBG | Panneau de verre droit de 18 po | 1 | MVRDP6241LBG | Panneau de verre droit de 24 po | 1 |
| | Vis Tork 20 8-18 x 1/2 po | 36 | | Vis Tork 20 8-18 x 1/2 po | 36 |
| | Rondelle 0,625" | 20 | | Rondelle 0,625" | 20 |
| | 083408-000 Guide d'installation | 1 | | 083408-000 Guide d'installation | 1 |
| | Canal C droit avec clips | 1 | | Canal C droit avec clips | 1 |
| | Canal C gauche avec clips | 1 | | Canal C gauche avec clips | 1 |
| | Embout de canal droit | 1 | | Embout de canal droit | 1 |
| | Embout de canal gauche | 1 | | Embout de canal gauche | 1 |
| Couvercle de canal peinte | 2 | Couvercle de canal peinte | 2 | | |
| MVRDP6181LBG | Panneau de verre droit de 18 po | 1 | MVRDP6301RBG | Panneau de verre droit de 30 po | 1 |
| | Vis Tork 20 8-18 x 1/2 po | 36 | | Vis Tork 20 8-18 x 1/2 po | 36 |
| | Rondelle 0,625" | 20 | | Rondelle 0,625" | 20 |
| | 083408-000 Guide d'installation | 1 | | 083408-000 Guide d'installation | 1 |
| | Canal C droit avec clips | 1 | | Canal C droit avec clips | 1 |
| | Canal C gauche avec clips | 1 | | Canal C gauche avec clips | 1 |
| | Embout de canal droit | 1 | | Embout de canal droit | 1 |
| | Embout de canal gauche | 1 | | Embout de canal gauche | 1 |
| Couvercle de canal peinte | 2 | Couvercle de canal peinte | 2 | | |
| MVRDP6241RBG | Panneau de verre droit de 24 po | 1 | MVRDP6301LBG | Panneau de verre droit de 30 po | 1 |
| | Vis Tork 20 8-18 x 1/2 po | 36 | | Vis Tork 20 8-18 x 1/2 po | 36 |
| | Rondelle 0,625" | 20 | | Rondelle 0,625" | 20 |
| | 083408-000 Guide d'installation | 1 | | 083408-000 Guide d'installation | 1 |
| | Canal C droit avec clips | 1 | | Canal C droit avec clips | 1 |
| | Canal C gauche avec clips | 1 | | Canal C gauche avec clips | 1 |
| | Embout de canal droit | 1 | | Embout de canal droit | 1 |
| | Embout de canal gauche | 1 | | Embout de canal gauche | 1 |
| Couvercle de canal peinte | 2 | Couvercle de canal peinte | 2 | | |

| Modèle | Pièce | Qté | Modèle | Pièce | Qté |
|-------------------------------------|---|-------------------------------------|---------------------|---|-----|
| MVDBP6361RBG | Panneau supérieur en verre droit de 36 po | 1 | MVDBP6361LBG | Panneau supérieur en verre droit de 36 po | 1 |
| | Panneau de verre du tiroir supérieur | 1 | | Panneau de verre du tiroir supérieur | 1 |
| | Panneau de verre du tiroir inférieur | 1 | | Panneau de verre du tiroir inférieur | 1 |
| | Vis Tork 20 8-18 x 1/2 po | 66 | | Vis Tork 20 8-18 x 1/2 po | 66 |
| | Rondelle 0,625" | 34 | | Rondelle 0,625" | 34 |
| | 083408-000 Guide d'installation | 1 | | 083408-000 Guide d'installation | 1 |
| | Canal C droit avec clips, porte supérieure | 1 | | Canal C droit avec clips, porte supérieure | 1 |
| | Canal C gauche avec clips, porte supérieure | 1 | | Canal C gauche avec clips, porte supérieure | 1 |
| | Canal C gauche avec clips, porte supérieure | 1 | | Canal C gauche avec clips, porte supérieure | 1 |
| | Canal C gauche avec clips, tiroir supérieur | 1 | | Canal C gauche avec clips, tiroir supérieur | 1 |
| | Canal C droit avec clips, tiroir inférieur | 1 | | Canal C droit avec clips, tiroir inférieur | 1 |
| | Canal C gauche avec clips, tiroir inférieur | 1 | | Canal C gauche avec clips, tiroir inférieur | 1 |
| | Embout de canal gauche | 1 | | Embout de canal gauche | 1 |
| | Embout de canal droit | 1 | | Embout de canal droit | 1 |
| | Cache-canal peint, porte supérieure | 2 | | Cache-canal peint, porte supérieure | 2 |
| | Cache-canal peint, tiroir supérieur | 2 | | Cache-canal peint, tiroir supérieur | 2 |
| Cache-canal peint, tiroir inférieur | 2 | Cache-canal peint, tiroir inférieur | 2 | | |

DÉBALLAGE

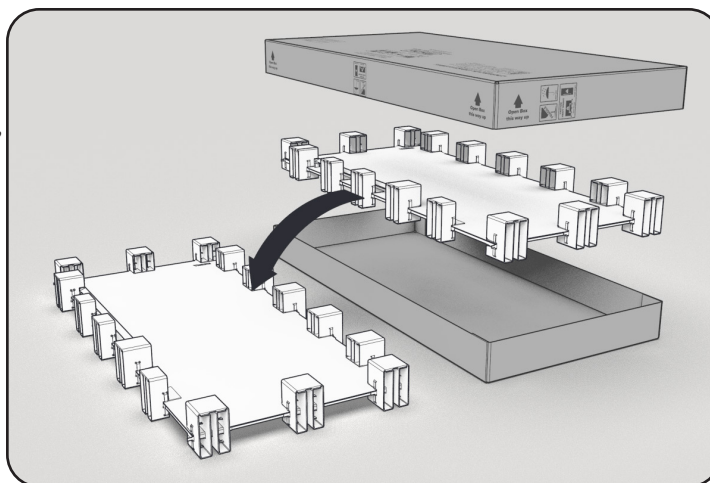
Instructions de déballage

1. Coupez les sangles qui maintiennent la boîte sur la palette.
2. Retirez la petite boîte marquée "**Pièces de garniture de réfrigération – Ne pas jeter**" de la palette. Réservez pour plus tard.
3. Retirez délicatement la boîte de la palette, placez la boîte sur le dos de manière à ce que le haut de la boîte puisse être retiré et que les flèches sur les côtés pointent vers le haut.

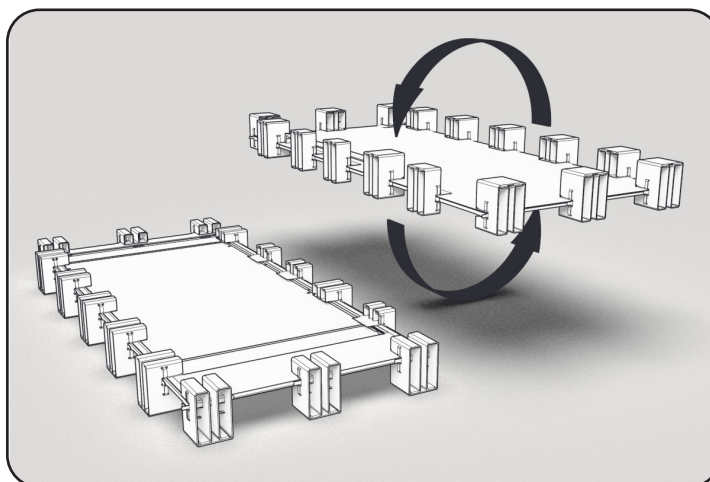


4. Retirer le panneau de la boîte d'expédition :
 - Retirez le haut de la boîte, puis retirez délicatement le panneau de verre ET l'emballage interne de la boîte inférieure. L'emballage interne, qui est enroulé autour du verre, doit maintenir le panneau hors du sol jusqu'à ce que vous soyez prêt à l'installer.

NE RETIREZ PAS L'EMBALLAGE EN CARTON AUTOUR DU PANNEAU AVANT D'ÊTRE PRÊT À L'INSTALLER.



5. Retournez le panneau :
 - Retournez soigneusement le(s) panneau(s) de verre, afin que le cadre métallique à l'arrière soit accessible pour insérer les vis de montage.

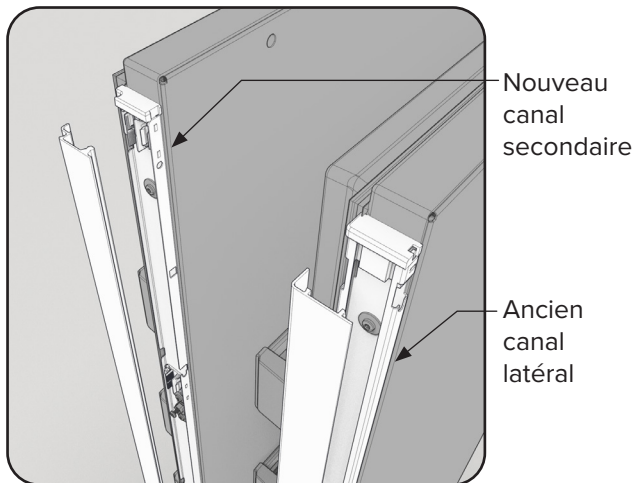


INSTALLATION DES CANAUX LATÉRAUX

Instructions d'installation des canaux latéraux

1. Déterminez si le remplacement du canal latéral est nécessaire :

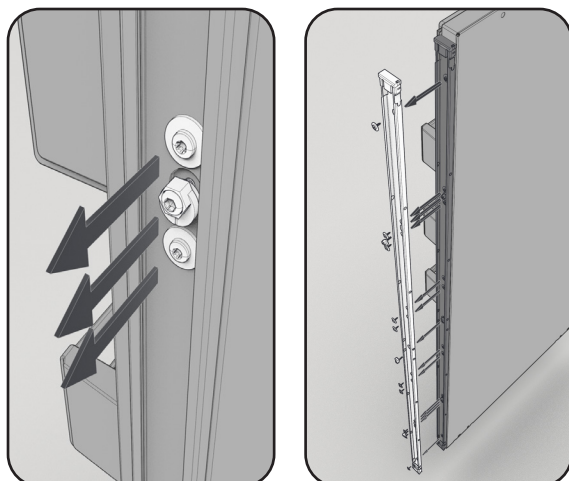
- Si votre unité est équipée de canaux latéraux de porte qui ressemblent aux anciens canaux latéraux illustrés ci-dessous, continuez avec les étapes suivantes. Sinon, passez à la section « Installation du panneau de porte » et poursuivez l'installation.



- À l'intérieur de la boîte « Pièces de garniture de réfrigération », il y a :
 - 2 canaux latéraux,
 - 2 caches canaux,
 - 2 embouts,
 - Toutes les fixations de montage nécessaires, SAUF la vis mécanique et la came, qui doivent être réinstallées à partir du produit d'origine.

2. Supprimez les canaux latéraux :

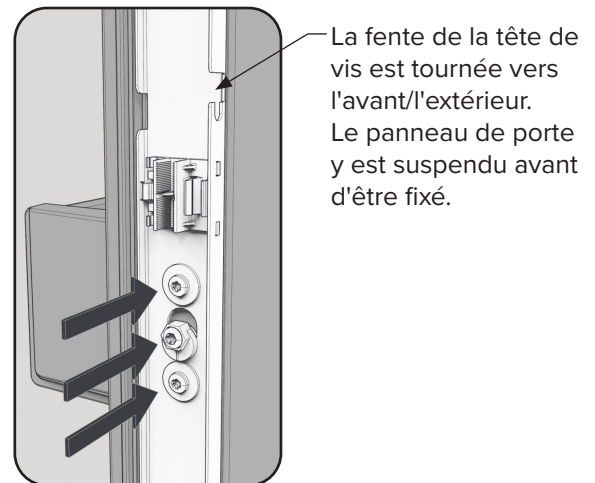
- Retirez le canal latéral des deux côtés de la porte installée en retirant toutes les attaches. Cela inclut ceux avec la came installée (trois de chaque côté). **NE JETEZ PAS LES BOULONS OU LES CAMES**, ceux-ci seront réinstallés après le montage des nouveaux canaux.



3. Montez les nouveaux canaux latéraux :

- Montez les deux nouveaux canaux latéraux avec les nouvelles vis fournies avec la trousse, et réutilisez les boulons et cames des anciens canaux. La fente de la tête de vis doit faire face à la face extérieure de la porte et la fente de la tête de vis doit pointer vers le bas.

Lors de la réinstallation des cames et des vis mécaniques, disposez-les de manière identique des deux côtés de la porte pour réduire le risque de désalignement et de réajustement.



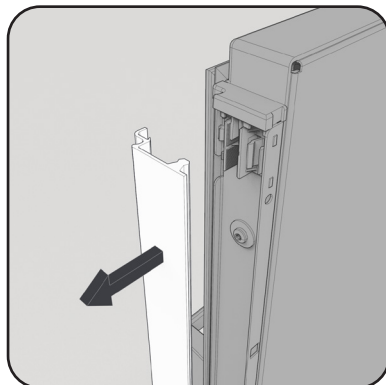
4. Après avoir monté les canaux latéraux, passez à la section « Installation du panneau de porte ».

INSTALLATION DU PANNEAU DE PORTE

Instructions d'installation du panneau de porte

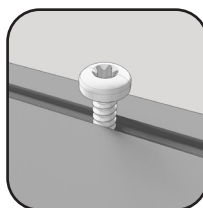
1. Retirer la garniture latérale :

- Retirez la garniture latérale de la porte installée pour exposer les trous de montage du revêtement de porte et les cames de réglage du revêtement de porte.

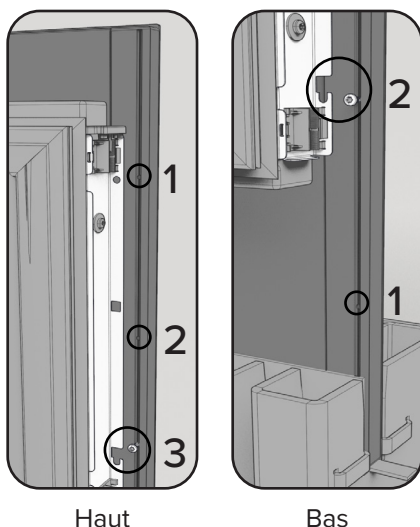


2. Insérez les vis d'alignement du montage sur panneau :

- À l'aide d'un embout ou d'un tournevis T20, enfoncez partiellement 4 des vis 8-18 fournies dans le trou lié à l'emplacement de la fente de la tête de vis sur les canaux de montage. La vis doit être enfoncée à mi-chemin dans le panneau de porte.
- Pour les produits en colonne (Tous les réfrigérateur / Tous les congélateur) :

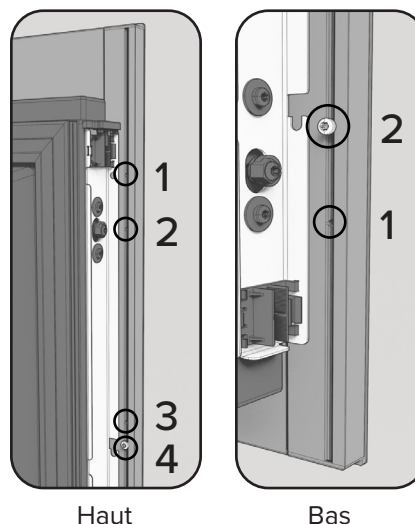


Utilisez le 3ème trou en partant du haut et le 2ème trou en partant du bas dans le panneau.

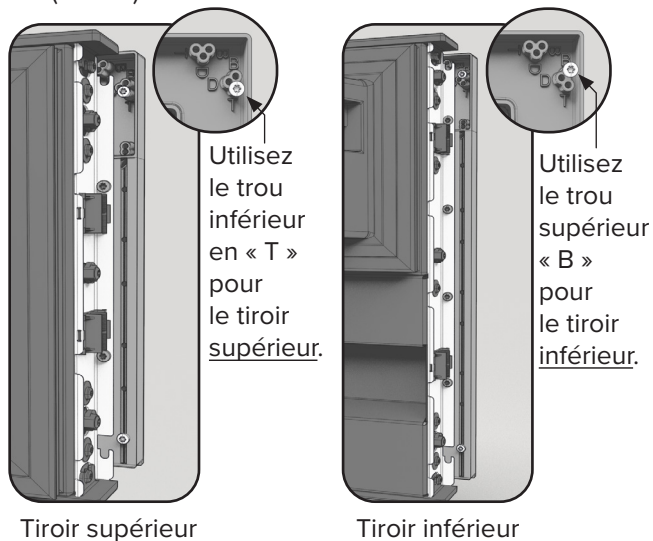


- Pour le panneau supérieur du réfrigérateur à congélateur inférieur (FBI7360W) :

Utilisez le 4ème trou en partant du haut et le 2ème trou en partant du bas dans le panneau.

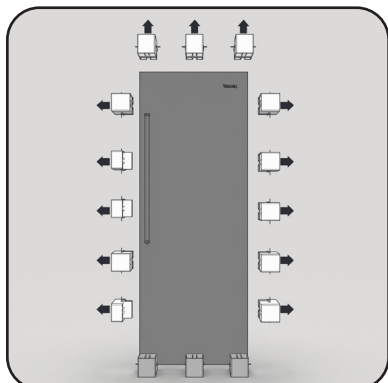


- Pour les panneaux de tiroir d'un réfrigérateur à congélateur inférieur, utilisez le trou du bas et le trou correspondant correct dans le support d'angle (B ou T).



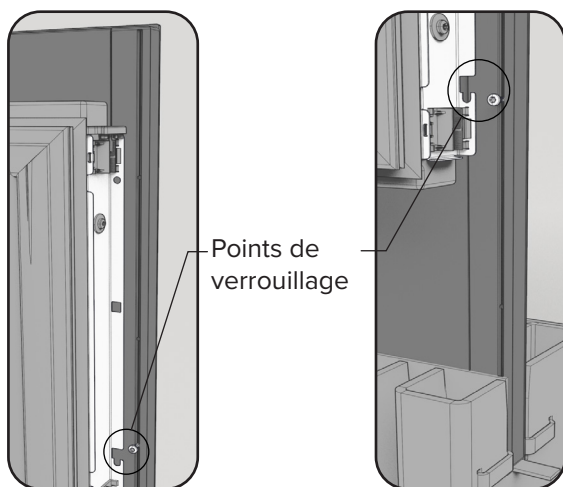
3. Préparation pour la fixation de la porte :

- Soulevez délicatement le panneau pour qu'il repose verticalement sur les supports en carton.
- À l'exception des supports en carton inférieurs, retirez le matériel d'emballage restant.



4. Fixez le panneau de porte aux canaux :

- Alignez les 4 vis 8-18 partiellement vissées dans le(s) panneau(x) de porte avec les fentes à tête de vis dans les canaux latéraux de la porte.
- Verrouillez le panneau sur les canaux latéraux de la porte à l'aide des vis partiellement insérées.



- Ouvrez soigneusement la porte et serrez doucement les vis verrouillées jusqu'au bout, en fixant le panneau aux canaux latéraux de la porte.

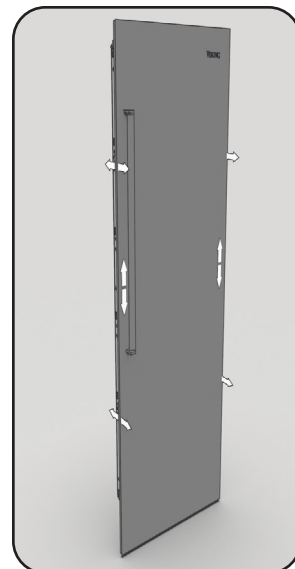
5. Retirez tout emballage restant.

6. Montez entièrement la porte :

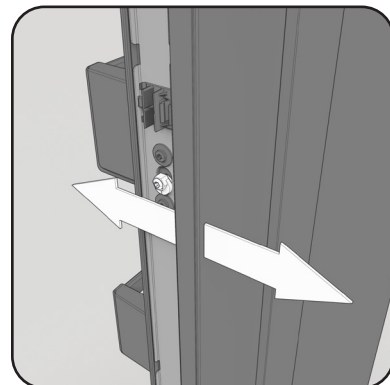
- Insérez et serrez les 8 à 18 vis restantes pour monter complètement le panneau de porte sur les canaux de porte.

7. Nivelez et ajustez l'alignement de la porte par rapport aux armoires :

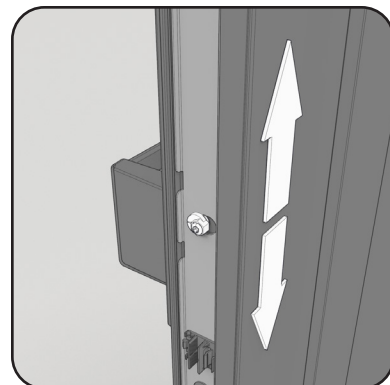
- Si la porte doit être réalignée, desserrez légèrement TOUTES les vis retenant les canaux de chaque côté de la porte pour permettre le réglage à l'aide d'un embout T20 ou d'un tournevis. Cela inclut les vis avec les cames. **NE RETIREZ AUCUNE VIS**, il y a de la place pour que les canaux se déplacent avec les vis partiellement installées.



- Ajustez lentement les cames supérieure/inférieure des deux côtés de la porte, à l'aide de la douille $\frac{3}{8}$ po et du cliquet, pour aligner la face du panneau de porte avec les armoires et pour vous assurer que le panneau est de niveau. Faites cela des deux côtés.



- Ajustez lentement les cames du milieu, à l'aide de la douille $\frac{3}{8}$ po et du cliquet, pour aligner verticalement le haut/le bas de la porte. Faites cela des deux côtés.



- Une fois le ou les panneaux de porte correctement alignés, serrez toutes les vis à l'aide de l'embout T20 ou d'un tournevis.

8. Remplacez la garniture :

- Remettez la garniture latérale en place en appuyant sur l'extérieur de la garniture avec vos mains sur la zone avec les clips blancs. La garniture latérale doit être appuyée contre les embouts supérieurs.

Liste de vérification finale de l'installation

Lisez toutes les instructions d'installation de ce manuel pour voir si l'appareil a été correctement installé avant utilisation.

Veillez à ce que :

- Le panneau de porte est de niveau et aligné aux armoires environnantes.
- Le panneau de porte est solidement vissé à l'appareil.

Remarques

Ces instructions d'installation doivent être conservées avec l'appareil pour pouvoir s'y référer ultérieurement

Viking Range, LLC
111 Front Street
Greenwood, Mississippi 38930 USA
662 455-1200

Pour obtenir plus de renseignements sur les produits, appelez le
1 888 845-4641 ou visitez notre site Web à l'adresse vikingrange.com