



# 24" (60 CM) GAS BUILT-IN COOKTOP

## PRODUCT MODEL NUMBERS

WCG52424A

## GAS SUPPLY REQUIREMENTS

### Gas supply line:

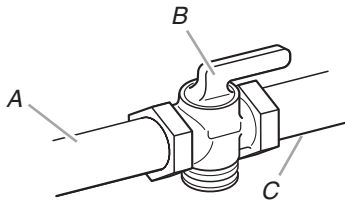
- Provide a gas supply line of  $\frac{3}{4}$ " (1.9 cm) rigid pipe to the cooktop location. A smaller size pipe on longer runs may result in insufficient gas supply. Pipe-joint compounds that resist the action of LP gas must be used. Do not use TEFLON<sup>†</sup> tape. With LP gas, piping or tubing size can be  $\frac{1}{2}$ " minimum. Usually, LP gas suppliers determine the size and materials used in the system.

### Flexible metal appliance connector:

- If local codes permit, use a  $\frac{1}{2}$ " or  $\frac{3}{4}$ " I.D. flexible stainless steel tubing gas connector, designed by CSA to connect the cooktop to the rigid gas supply line.



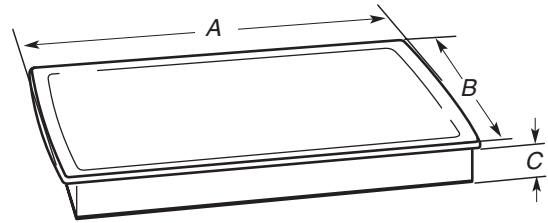
- A  $\frac{3}{8}$ " male pipe thread is needed for connection to the female pipe threads of the inlet to the appliance pressure regulator.
- Do not kink or damage the flexible metal tubing when moving the cooktop.
- Must include a shutoff valve:  
The supply line must be equipped with a manual shutoff valve. This valve should be located in the same room but external to the cooktop opening, such as an adjacent cabinet. It should be in a location that allows ease of opening and closing. Do not block access to shutoff valve. The valve is for turning on or shutting off gas to the cooktop.



A. Gas supply line  
B. Shutoff valve "open" position  
C. To range

<sup>†</sup>TEFLON is a registered trademark of Chemours.

## PRODUCT DIMENSIONS



A.  $23\frac{1}{4}$ " (59 cm)  
B.  $20\frac{5}{64}$ " (51 cm)  
C.  $1\frac{1}{2}$ " (3.8 cm)

## Type of Gas

### Natural gas:

- This cooktop is factory set for use with Natural gas. To convert to LP gas, see the Gas Conversion instructions provided in the package containing literature. The model/ serial/rating plate located on the right/center underside of the burner box has information on the types of gas that can be used. If the types of gas listed do not include the type of gas available, check with the local gas supplier.

### LP gas conversion:

Conversion must be done by a qualified service technician.

No attempt shall be made to convert the appliance from the gas specified on the model/serial/rating plate for use with a different gas without consulting the serving gas supplier. See the Gas Conversion instructions provided in the package containing literature.

## ELECTRICAL REQUIREMENTS

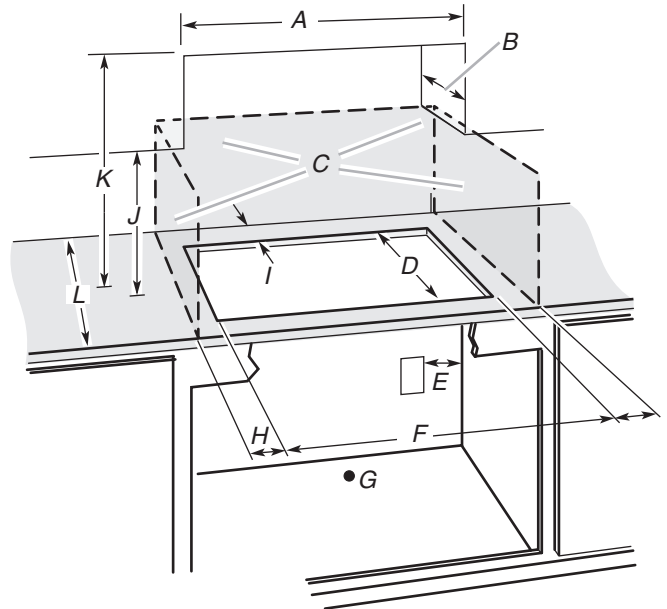
**IMPORTANT:** The cooktop must be electrically grounded in accordance with local codes and ordinances, or in the absence of local codes, with the National Electrical Code, ANSI/NFPA 70 or Canadian Electrical Code, CSA C22.1.

If codes permit and a separate ground wire is used, it is recommended that a qualified electrical installer determine that the ground path is adequate.

- A 120-volt, 60-Hz, AC-only, 15-amp, fused electrical circuit is required. A time-delay fuse or circuit breaker is also recommended. It is recommended that a separate circuit serving only this cooktop be provided.

## CABINET REQUIREMENTS

**IMPORTANT:** If installing a range hood or microwave hood combination above the range, follow the range hood or microwave hood combination installation instructions for dimensional clearances above the cooktop surface.



- A. 24" (61 cm) minimum - 26" (68 cm) maximum distance between overhead cabinets
- B. 13" (33 cm) minimum recommended upper cabinet depth
- C. 30" (75 cm) minimum combustibile area above countertop (shown by dashed box above)
- D. 18<sup>29</sup>/<sub>32</sub>" (48 cm)
- E. Grounded outlet - Locate within 24" (61 cm) of right rear corner of cutout.
- F. 22<sup>3</sup>/<sub>64</sub>" (56 cm)
- G. Gas line opening - Wall: anywhere 5" (12.7 cm) below underside of countertop. Cabinet floor: anywhere within 6" (15.2 cm) of rear wall is recommended.
- H. 4" (10 cm) minimum distance to nearest left and right-side combustibile surface
- I. 2<sup>7</sup>/<sub>8</sub>" (7 cm) minimum distance to rear combustibile surface
- J. 20<sup>1</sup>/<sub>2</sub>" (52 cm) minimum clearance from upper cabinet to countertop within minimum horizontal clearances to cooktop
- K. 30" (76.2 cm) minimum clearance between top of cooktop platform and bottom of uncovered wood or metal cabinet (24" [61 cm] minimum clearance if bottom of wood or metal cabinet is covered by not less than 1/4" [0.6 cm] flame retardant millboard covered with not less than No. 28 MSG sheet steel, 0.015" [0.04 cm] stainless steel, or 0.024" [0.06 cm] aluminum or 0.020" [0.05 cm] copper)
- L. 25<sup>5</sup>/<sub>8</sub>" (65.09 cm) minimum countertop depth is required.

**NOTES:** After making the countertop cutout, some installations may require notching down the base cabinet side walls to clear the burner box. To avoid this modification, use a base cabinet with sidewalls wider than the cutout.

If cabinet has a drawer, a 4" (10.2 cm) depth clearance from the countertop to the top of the drawer (or other obstruction) in base cabinet is required. The drawer depth may need to be shortened to avoid interfering with the regulator.