

# SOFIA PROFESSIONAL 30"

30" DUAL FUEL PROFESSIONAL RANGE



CODE ID



**F6PDF304S1**



Heavy Duty Grates



Continuous Grate Surface



Dual Crescendo Burner



Dual True Convection



Soft Closing Door



Self Clean Oven



Multi-level cooking



1 Telescopic Rack



Cool Touch Door



Digital Controls



Meat Probe



Fast Pre-Heat

## COLOR KIT

	STAINLESS STEEL
	MATTE BLACK RAL 9004
	GLOSSY BLACK RAL 9004
	GLOSSY RED RAL 3003
	GLOSSY WHITE RAL 9016
	MATTE WHITE RAL 9016
	MATTE GREY RAL 9007

## OPTIONAL ACCESSORIES

PDRKIT30 ...	Color kit
FMWOK	Wok ring
FMSIM	Simmer plate
F6BG30BCI	Island trim
F6BG30STD	Standard trim
F6BG30HBT	High back trim
FMGRID30	30" Griddle
FMTRP30	Telescopic rack

## SPECIFICATIONS

### COOKING SURFACE

2 Heavy Duty, continuous cast iron grates  
One piece, matte finish porcelain burner bowl  
4 Dual-Flame Crescendo Burners  
1 X 20,000 BTU max (NG)  
3 X 18,000 BTU max (NG)  
Natural Gas (LP convertible)

### OVEN

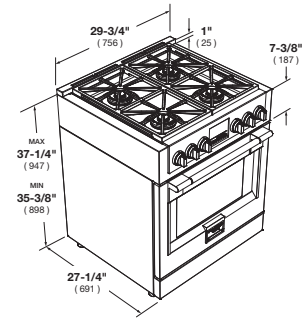
Dual True Convection  
Self-cleaning oven with Multifunction baking  
Black Porcelain enamel interior  
Cool to the touch soft closing door  
Extra-large baking cavity and viewing area  
3 Halogen lights for flawless visibility  
Total capacity 123 lt  
Total capacity 4.4 cu. ft.  
2 chrome racks  
1 telescopic rack  
Enameled Broiler Pan

### OVEN FUNCTIONS

Bake  
Broil  
Roast  
Convection  
True Convection  
Warm / Proof / Dehydrate  
Electronic cooking programmer  
Fast Pre-Heat  
Self-Clean  
Sabbath Mode

# SOFIA

## DUAL FUEL PROFESSIONAL RANGE



CODE ID		30" DUAL FUEL PROFESSIONAL RANGE - F6PDF304S1	
Series - Finish	600 Series - Professional Design - Stainless Steel		
<b>CONTROL PANEL</b>			
Control Type	6 Heavy Duty Knobs		
Oven Programming	Electronic with 6 Touch Keys		
Display: Clock - Temperature - Function	White LED		
Language	English / French / Spanish		
<b>COOKTOP</b>			
Type	GAS (NG or LP)		
Cooking Surface	Matte Black Enamel		
<b>GAS COOKTOP FEATURES</b>			
Electric Re-ignition system	•		
Flame-out sensing	•		
Top Mount Injectors	•		
L.P. Conversion Kit	•		
Dual Crown Brass Burner	•		
Heavy Duty Cast Iron Grates	2		
Cooking Zones	4		
Burners types	All Dual Flame/Simmer Burner		
Power Front-L,Front-R (Max/Min) NG	-		
Power Front-R (Max/Min) NG	20000 (BTU/h) - 5900W / 750 (BTU/h) - 220W		
Power (Max/Min) NG	18000 (BTU/h) - 5300W / 750 (BTU/h) - 220W		
Power (Max/Min) LP	15000 (BTU/h) - 4400W / 750 (BTU/h) - 220W		
<b>OVEN</b>			
Type	Electric Self-clean - Dual Convection (True Euro Conv.)		
Temperature Regulation	Electronic Control (min/max 170/550°F - 75/290°C)		
<b>OVEN FUNCTIONS</b>			
	Pyrolytic Self-Clean		Dehydrate
	True Convection		Thaw (Defrost)
	Convection Broil		Proof (Warm)
	Convection Roast		Keep warm (Warm Plus)
	Pizza (Lower Convection)		Oven Lights
	Bake		Broil
<b>ELECTRIC OVEN FEATURES</b>			
	Preset/Last Used Temperature Memory		Preheat Indicator (25%, 50%, 75%, 100%)
	Child Door Lock		Control Display Lock
	Fast Preheat		12/24 Hour Clock Formats
	Sabbath Mode		Temperature Display °C/°F
	Meat Probe		
<b>OVEN DOOR(S)</b>			
Oven Glass Window	Deep Embossed Extra Wide Window		
Door Cooling System	4 Heat Resistant Glasses		
Door Hinges - Soft-closing System	Heavy Duty Steady Tilt		
Handle Style	Stainless Steel Tube with Metal End caps		
<b>OVEN CAVITY</b>			
Total Capacity (lt)	123		
Total Capacity (cu. ft.)	4,34		
Usable Capacity (cbft)	4,1		
Cavity Enamel Color	Black		
Rack Positions	6		
Oven Lights	3x20W Halogen		
<b>HEATING ELEMENTS (@240V)</b>			
Broil Upper Heating Element	3500 W		
Upper Auxiliary Element	1032 W		
Concealed Bake Lower Heating Element	3000 W		
Convection Element	2 x 1300 W		
<b>OVEN ACCESSORIES</b>			
Chrome Racks	2		
Enameled Broiler Pan (basin + anti splash)	1		
Telescopic Chrome Rack	1		
<b>DIMENSIONS/WEIGHT</b>			
Overall dim - Width	29 - 3/4"	758 mm	
Overall dim - Height (min - max)	36 - 3/8", 38 - 1/4"	923 mm - 972 mm	
Overall dim - Depth	29 - 3/4"	756 mm	
Gross Weight	326 lbs	148 kg	
<b>POWER / RATINGS (208/240 V, 60 HZ)</b>			
kW / Amps rating at 120-240V, 60Hz	3.84kW - 16.9A		
kW / Amps rating at 120-208V, 60Hz	3.54kW - 17.5A		
Power Cable	Nema 14-50P		
<b>INSTRUCTIONS FOR USE</b>			
Use & Care Manual / Installation Manual	English / French / Spanish		