

WOS30200SS



30" Built-In Single Wall Oven



GENERAL PROPERTIES

Type	Built-in Oven
Size	30"
Color	Stainless Steel
Cavity Enamel Color	Black
Cooking Functions	12 Functions
Control Type	LED Multicolor Display
Handle Design	Stainless Steel

FEATURES & FUNCTIONS

Convection Type	Dual Fan
Fast Preheat	Yes
Booster	Yes
Self Clean	Yes
Cooking Functions	Bake, Convection Bake, Broil, Convection Broil, Roast, Convection Roast, Pizza Cooking, Sabbath Mode, Warm Keep, Prime Turkey, Boost, Air Fry Mode

PREMIUM TECHNOLOGY



LARGE OVEN CAPACITY

With an industry-leading 5.7 cu. ft. interior volume, you'll have more than enough room for the caramelized vegetables and tender roast at your next dinner party.



TWIN TURBO CONVECTION

Twin Turbo Convection technology uses two convection fans that each blow in a different direction within the oven. The increased airflow results in faster pre-heat time and up to 25% faster cooking time.



AIRFRY

AirFry delivers crispy food without the use of cooking oil, resulting in a healthy way to enjoy the taste of fried foods without the frying. AirFry also requires no pre-heat time. Faster and healthier cooking made easy!

30" Built-In Single Wall Oven

FEATURES & PERFORMANCE

Capacity (Cu. Ft.)	5.7
Self-clean (Programmable)	Yes
Cool-touch Door	Yes, 4 Panel Glass
Convection Type	Dual Fan
Interior Illumination	2x Square Halogen Lights
Meat Probe	Yes
Heavy Duty Chromed Wire Oven Racks	2
Full Extension Pull-Out Telescopic Rail	1
Easy-to-clean Enamel	Yes
Broiler Pan Included	Yes

TECHNICAL INFORMATION

Total Power (kW)	3.4 kW (208V) 4.4 kW (240V)
Min. Amps (A)	20 A
Volts	120 - 240 V
Frequency	60 Hz
Power Cord	Direct Wire into "J" Box
Power Cord Install Length from Edge of Unit	4 ft.

DIMENSIONS & WEIGHT

Product (H x W x D) (in)	28 7/8 x 29 3/4 x 24 7/16
Depth (Incl. Handle) (in)	27
Depth (w/o Handle) (in)	24 7/16
Required Cutout Size - Standard (H x W x D) (in)	27 min. - 28 5/8 max. x 28 1/2 x 23 5/8
Required Cutout Size - Flush (H x W x D) (in)	29 1/8 x 30 x 24 5/8
Net Weight (lbs)	180
Shipping Weight (lbs)	207

ACCESSORIES (INCLUDED)

Meat Probe	Yes
Broiler Pan	Yes
Removable Full Extension Telescopic Rail	Yes

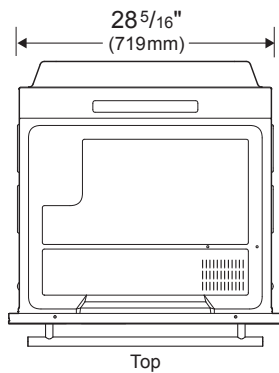
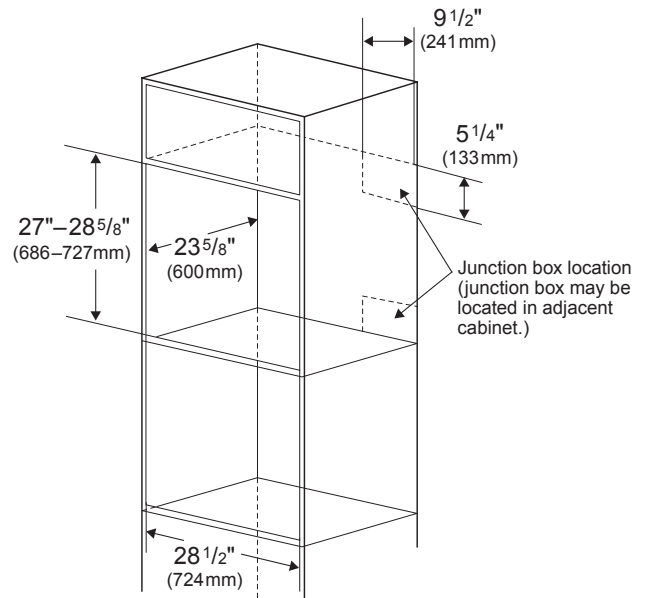
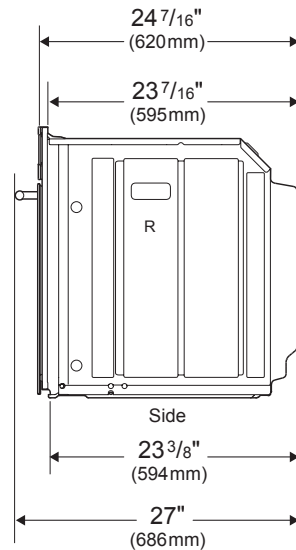
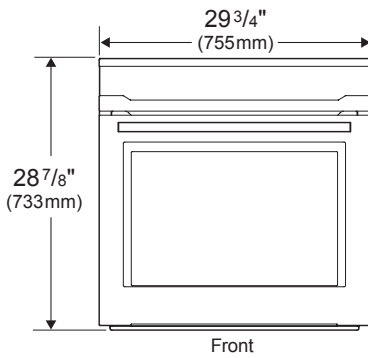
WARRANTY

Parts & Labor	2 -year Full Warranty
---------------	-----------------------

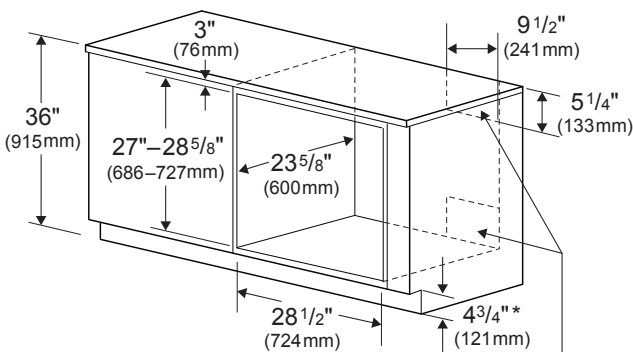
WOS30200SS



30" Built-In Single Wall Oven

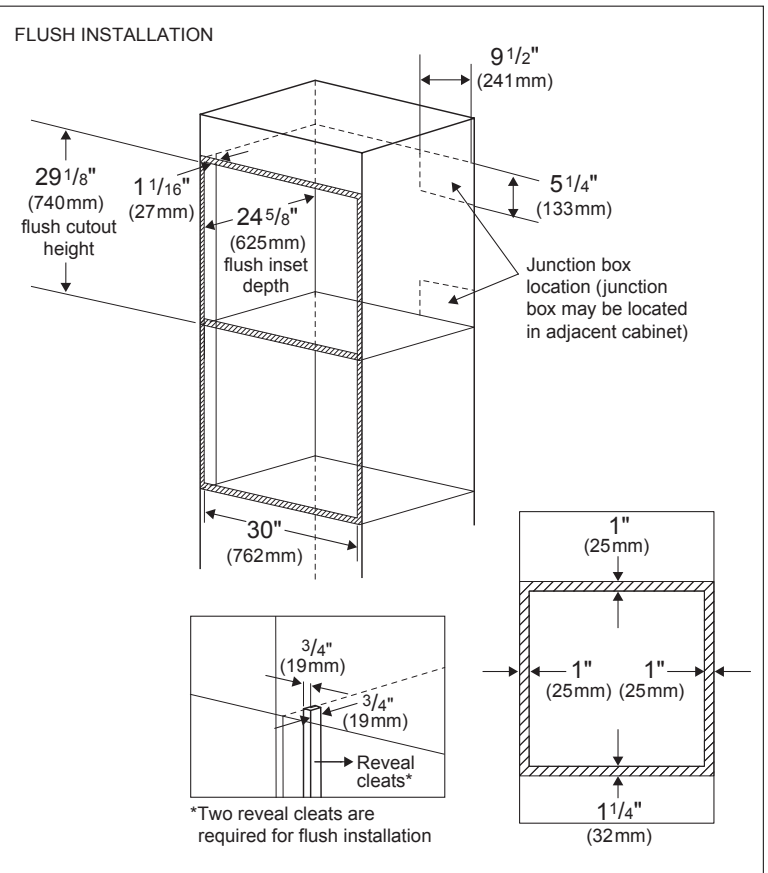


UNDER COUNTER INSTALLATION



*Includes 3/4" (19mm) base plate

Junction box may be located to the left or right of the unit within reach of the power conduit



NOTE TO THE INSTALLER: All height, width, and depth dimensions are shown in inches (as well as metric). Beko U.S., Inc. reserves the absolute and unrestricted right to change product materials and specifications, at any time, without notice. Please visit our website, www.BekoAppliances.com, or call 888.352.2356 to verify the latest specifications with final dimensional data and other details prior to installation and making a cutout. Applicable product limited warranty information may be found in accompanying product materials, or you may contact your account manager for further details. Proper installation is the responsibility of the installer. Product failure due to improper installation is not covered under the Limited Warranty.