

SOFIA PROFESSIONAL 30"



CODE ID

30" PROFESSIONAL GAS RANGE TOP

F6GRT304S1



Heavy Duty Grates



Continuous Grate Surface



Dual Crescendo Burner



Professionally Styled Knobs



SPECIFICATIONS

GAS RANGE TOP

2 Heavy Duty, continuous cast iron grates
One piece, matte finish porcelain burner bowl
4 Dual-Flame Crescendo Burners
1 X 20,000 BTU max (NG)
3 X 18,000 BTU max (NG)
Natural Gas (LP convertible)
Electric Re-ignition system
Flame-out Sensing
Top Mount Injectors

OPTIONAL ACCESSORIES

| | |
|-----------|----------------|
| FMWOK | Wok ring |
| FMSIM | Simmer plate |
| F6BG30BCI | Island trim |
| F6BG30STD | Standard trim |
| F6BG30HBT | High back trim |
| FMGRID30 | Griddle |

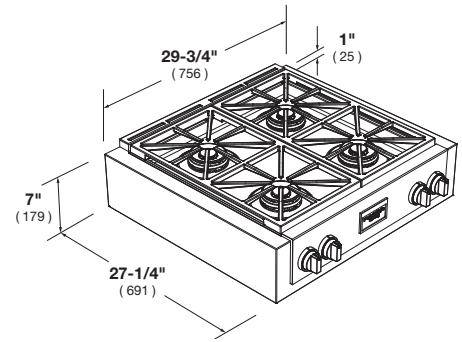


This product meets ADA (Americans with Disabilities Act) requirements.

Please check with your local municipality's codes and stipulations for additional details to ensure compliance.

SOFIA

30" PROFESSIONAL GAS RANGE TOP



| CODE ID | 30" PROFESSIONAL GAS RANGE TOP F6GRT304S1 | |
|---|--|-----------------|
| Series | 600 | |
| Finish | Professional Design - Stainless Steel | |
| CONTROL PANEL | | |
| Control Type | 4 Heavy Duty Knobs | |
| COOKTOP | | |
| Type | GAS (NG or LP) | |
| Cooking Surface | Matte Black Enamel | |
| GAS COOKTOP FEATURES | | |
| Electric Re-ignition system | • | |
| Flame-out sensing | • | |
| Top Mount Injectors | • | |
| Dual Crown Brass Burner | • | |
| Simmer Plate | Optional | |
| Wok Ring | Optional | |
| Heavy Duty Cast Iron Grates | 2 | |
| Cooking Zones | 4 | |
| Burners types | All Dual Flame/Simmer Burner | |
| Power Front-L,Front-R (Max/Min) NG | - | |
| Power Front-R (Max/Min) NG | 20000 (BTU/h) - 5900W / 750 (BTU/h) - 220W | |
| Power (Max/Min) NG | 18000 (BTU/h) - 5300W / 750 (BTU/h) - 220W | |
| Power (Max/Min) LP | 15000 (BTU/h) - 4400W / 750 (BTU/h) - 220W | |
| DIMENSIONS/WEIGHT | | |
| Overall dim - Width | 29 - 3/4" | 758 mm |
| Overall dim - Height | 7" | 179 mm |
| Overall dim - Depth | 29 - 3/4" | 756 mm |
| Cut-out - Width | 30" | 762 mm |
| Cut-out - Height (min) | 7" | 179 mm |
| Cut-out - Depth (min - max) | 24", 25 - 1/2" | 610 mm - 650 mm |
| Gross Weight | 100 lbs | 45 kg |
| POWER / RATINGS (120 V, 60 HZ) | | |
| Amps | 0.1A | |
| Power Cable | Nema 5-15P | |
| INSTRUCTIONS FOR USE | | |
| Use & Care Manual / Installation Manual | English / French / Spanish | |