



ISLAND CHIMNEY VENT HOODS

SAFETY INFORMATION..... 3

USING THE HOOD

Light Controls 5

Vent Controls 5

CARE AND CLEANING

Metal Grease Filter 6

Charcoal Filter 6

Stainless Steel Surfaces 7

LED Lights 7

INSTALLATION INSTRUCTIONS .. 8

Installation Preparation 9

Vented to the Outside16

TROUBLESHOOTING TIPS21

LIMITED WARRANTY 23

CONSUMER SUPPORT 24

**OWNER'S MANUAL &
INSTALLATION
INSTRUCTIONS**

UVI7361

ESPAÑOL

For a Spanish version of this manual, visit our Website at www.GEAppliances.com.

Para consultar una version en español de este manual de instrucciones, visite nuestro sitio de internet GEAppliances.com.

FRANÇAIS

For a French version of this manual, visit our Website at www.GEAppliances.ca.

Pour un version français de ce manuel d'utilisation, veuillez visiter notre site web à l'adresse GEAppliances.ca.

Write the model and serial numbers here:

Model # _____

Serial # _____

You can find them on a label on the inside of the hood.

THANK YOU FOR MAKING GE APPLIANCES A PART OF YOUR HOME.

Whether you grew up with GE Appliances, or this is your first, we're happy to have you in the family.

We take pride in the craftsmanship, innovation and design that goes into every GE Appliances product, and we think you will too. Among other things, registration of your appliance ensures that we can deliver important product information and warranty details when you need them.

Register your GE appliance now online. Helpful websites and phone numbers are available in the Consumer Support section of this Owner's Manual. You may also mail in the pre-printed registration card included in the packing material.



GE APPLIANCES

IMPORTANT SAFETY INFORMATION

READ ALL INSTRUCTIONS BEFORE USING THE APPLIANCE

▲WARNING TO REDUCE THE RISK OF FIRE, ELECTRIC SHOCK OR INJURY TO PERSONS, OBSERVE THE FOLLOWING:

- A. Use this unit only in the manner intended by the manufacturer. If you have questions, contact the manufacturer.
- B. Before servicing or cleaning unit, switch power off at service panel and lock the service disconnecting means to prevent power from being switched on accidentally. When the service disconnecting means cannot be locked, securely fasten a prominent warning device, such as a tag, to the service panel.
- C. Do not use this unit with any solid-state speed control device.
- D. This unit must be grounded.

▲CAUTION For general ventilating use only. Do not use to exhaust hazardous or explosive materials and vapors.

▲CAUTION To reduce risk of fire and to properly exhaust air, be sure to duct air outside. Do not vent exhaust air into spaces within walls or ceilings or into attics, crawl spaces or garages.

▲WARNING TO REDUCE THE RISK OF INJURY TO PERSONS IN THE EVENT OF A RANGE TOP GREASE FIRE, OBSERVE THE FOLLOWING*:

- A. SMOTHER FLAMES with a close-fitting lid, cookie sheet or metal tray, then turn off the burner. BE CAREFUL TO PREVENT BURNS. If the flames do not go out immediately, EVACUATE AND CALL THE FIRE DEPARTMENT.
- B. NEVER PICK UP A FLAMING PAN— You may be burned.
- C. DO NOT USE WATER, including wet dishcloths or towels - a violent steam explosion will result.
- D. Use an extinguisher ONLY if:
 1. You know you have a Class ABC extinguisher, and you already know how to operate it.
 2. The fire is small and contained in the area where it started.
 3. The fire department is being called.
 4. You can fight the fire with your back to an exit.

* Based on "Kitchen Fire Safety Tips" published by NFPA.

READ AND SAVE THESE INSTRUCTIONS

IMPORTANT SAFETY INFORMATION

READ ALL INSTRUCTIONS BEFORE USING THE APPLIANCE

⚠ WARNING TO REDUCE THE RISK OF A RANGE TOP GREASE FIRE:

- A. Never leave surface units unattended at high settings. Boilovers cause smoking and greasy spillovers that may ignite. Heat oils slowly on low or medium settings.
- B. Always turn hood ON when cooking on high heat or when flambéing food (i.e. Crepes Suzette, Cherries Jubilee, Peppercorn Beef Flambé).
- C. Clean ventilating fans frequently. Grease should not be allowed to accumulate on fan or filter.
- D. Use proper pan size. **Always** use cookware appropriate for the size of the surface element.

⚠ WARNING TO REDUCE THE RISK OF FIRE, ELECTRIC SHOCK OR INJURY TO PERSONS, OBSERVE THE FOLLOWING:

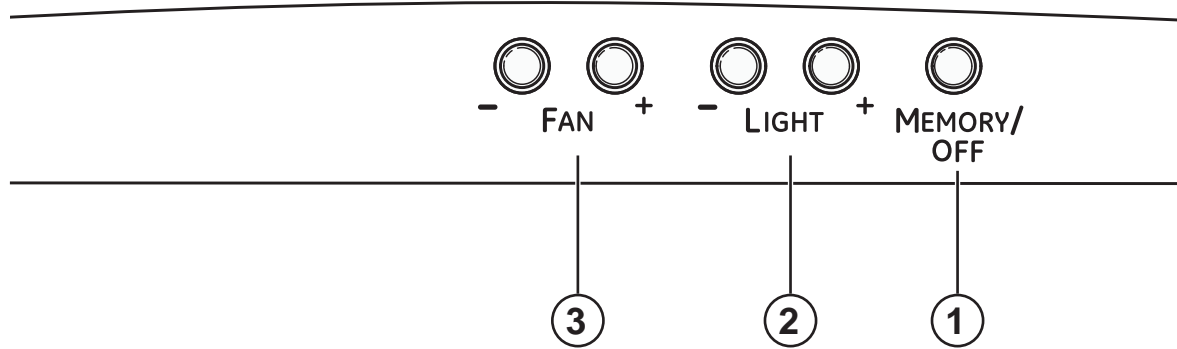
- A. Installation work and electrical wiring must be done by qualified person(s) in accordance with all applicable codes and standards, including fire-rated construction.

- B. Sufficient air is needed for proper combustion and exhausting of gases through the flue (chimney) of fuel burning equipment to prevent back drafting. Follow the heating equipment manufacturer's guidelines and safety standards, such as those published by the National Fire Protection Association (NFPA), the American Society for Heating, Refrigeration and Air Conditioning Engineers (ASHRAE) and the local code authorities. When applicable, install any makeup (replacement) air system in accordance with local building code requirements. Visit **GEAppliances.com** for available makeup air solutions.
- C. When cutting or drilling into wall or ceiling, do not damage electrical wiring and other hidden utilities.
- D. Ducted fans must always be vented to the outdoors.
- F. Turn off breaker to adjacent rooms while working.

⚠ WARNING TO REDUCE THE RISK OF FIRE, USE ONLY METAL DUCTWORK.

- Do not attempt to repair or replace any part of your hood unless it is specifically recommended in this manual. All other servicing should be referred to a qualified technician.

READ AND SAVE THESE INSTRUCTIONS



- 1. MEMORY/OFF:** To set the memory:
 - A. Press the **MEMORY/OFF** button.
 - B. Set your desired fan and light settings.
 - C. Press the **MEMORY/OFF** button again to save these settings.

With your desired settings in memory, press the **MEMORY/OFF** button to restore the fan and light levels to their saved settings. These settings will remain in memory until they are changed or loss of power occurs.

To turn off the hood, press the **MEMORY/OFF** button.

- 2. LIGHT:** Press **+** or **-** to increase or decrease light level to desired setting. There are 2 light levels (LOW, HIGH) and OFF. If you continue to press the **+** or **-** buttons, the light will cycle back through the settings.
- 3. FAN.** Press **+** or **-** to increase or decrease fan level to your desired setting. There are 4 fan levels (LOW, MED, HIGH, BOOST) and OFF. If you continue to press the **+** or **-** buttons, the fan will cycle back through the settings.

NOTE: There is an audible “beep” each time a button is pressed. This is normal.

NOTE: The collars around the buttons will illuminate when pressed. This is normal. The collars will automatically turn off if the hood is turned off.

HEAT SENSOR:

This hood is equipped with a heat sensor that will turn on the fan if excessive temperatures are detected (over 70°C/158°F) above the cooking surface. The hood will return to its normal operation once the heat sensor detects temperatures below 60°C/140°F.

NOTE: If the hood is OFF or on LOW fan speed, the temperatures above 70°C/158°F are detected; then the fan will automatically adjust to MED speed. You may adjust the fan speed to HIGH or BOOST, but you will not be able to adjust the fan speed to LOW or OFF until temperatures below 60°C/140°F are detected.

NOTE: The collars around the buttons may not illuminate if the heat sensor is activated. This is normal.

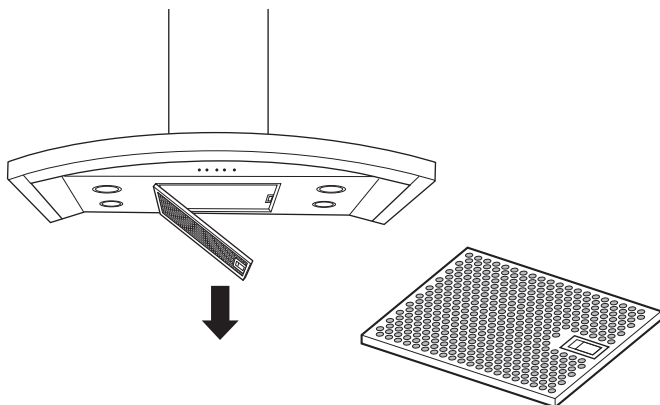
Filters

Be sure electrical power is off and all surfaces are cool before cleaning or servicing any part of the vent hood.

Metal Grease Filter

The metal filter traps grease released by foods from the cooktop. The filter also helps prevent flames (from food, grease) from damaging the inside of the hood.

For this reason, the filter must ALWAYS be in place when the hood is in use. The grease filter is dishwasher-safe and should be cleaned every 6 months, or as needed.



To remove:

Pull downward on the filter lock to release the filter.

To replace:

Fit the tabs at the end of the filter into the slots in left side of the filter opening. Lift up the right side of the filter and push gently until the filter locks into place. Make sure the filter lock is in the closed position to secure the filter.

To clean, swish the filter in hot soapy water and rinse in clean water or wash it in the dishwasher. Do not use abrasive cleansers.

NOTE: Some discoloration will occur in the dishwasher.

Charcoal Filter

For recirculating installation only

If the model is not vented to the outside, the air will be recirculated through a disposable charcoal filter that helps remove smoke and odors.

The charcoal filter should be replaced when it is noticeably dirty or discolored (usually after 6 to 12 months, depending on hood usage).

NOTE: DO NOT rinse, or put charcoal filter in an automatic dishwasher.

The charcoal filter cannot be cleaned. It must be replaced.

Order Charcoal Filter WB02X11348.

To inquire about purchasing replacement charcoal filters or to find the location of a dealer nearest you, please call our toll-free number:

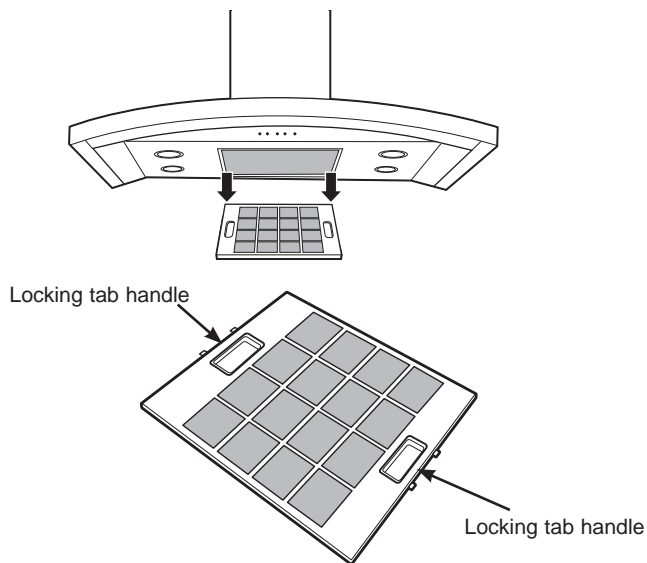
National Parts Center: 800.626.2002

To remove:

1. Remove the metal filter—see Metal grease filter section.
2. Remove the charcoal filter by pushing in on both locking tab handles to release.

To replace:

1. Insert the charcoal filter into the opening. Push the locking tab handles toward the center and release to engage the locking tabs.
2. Replace the metal filter—see Metal grease filter section.



Care and Cleaning

Stainless Steel Surfaces

Do not use a steel wool pad; it will scratch the surface.

To clean the stainless steel surface, use warm sudsy water or a stainless steel cleaner or polish. Always wipe the surface in the direction of the brush line. Follow the cleaner instructions for cleaning the stainless steel surface. Cleaners with oxalic acid such as Bar Keepers Friend Soft Cleanser™ will remove surface rust, tarnish, and small blemishes. To receive a \$2.00 coupon for a trial sample of Bar Keepers Friend Soft Cleanser™ follow the link below or scan the QR Code.

barkeepersfriend.com/ge



Use only a liquid cleanser free of grit and rub in the direction of the brush lines with a damp soft sponge.

To inquire about purchasing stainless steel appliance cleaner or polish, or to find the location of a dealer nearest you, please call our toll-free number: 800.626.2002

GEApplianceParts.com

LED Lights

The LED lights are replaceable by a service technician only. See the Limited Warranty section for service contact information.

Installation Instructions

Island Chimney Vent Hood

? If you have questions, call GE Appliances at 800.GE.CARES (800.432.2737) or visit our website at: GEAppliances.com

BEFORE YOU BEGIN

Read these instructions completely and carefully.

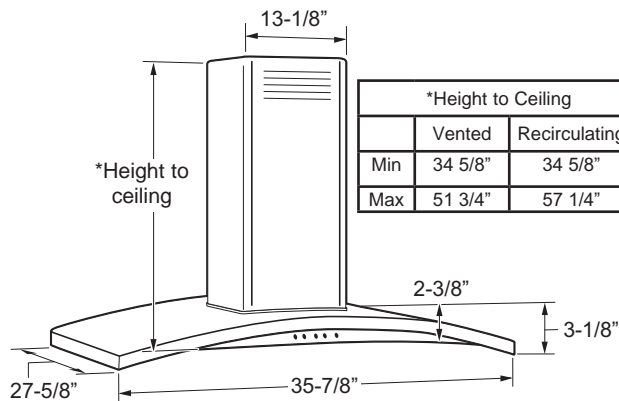
- **IMPORTANT** – Save these instructions for local inspector’s use.
- **IMPORTANT** – Observe all governing codes and ordinances.
- **Note to Installer** – Be sure to leave these instructions with the Consumer.
- **Note to Consumer** – Keep these instructions for future reference.
- **Skill level** – Installation of this vent hood requires basic mechanical and electrical skills.
- **Completion time** – Approximately 4 to 6 hours
- Proper installation is the responsibility of the installer.
- Product failure due to improper installation is not covered under the Limited Warranty.

⚠ CAUTION Due to the weight and size of these vent hoods and to reduce the risk of personal injury or damage to the product, **TWO PEOPLE ARE REQUIRED FOR PROPER INSTALLATION.**

FOR YOUR SAFETY:

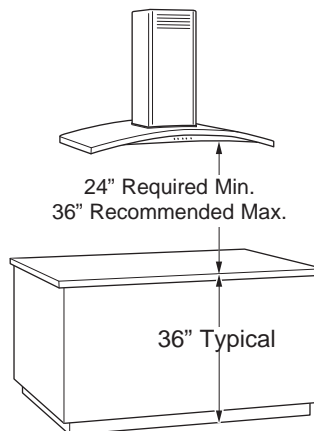
⚠ WARNING Before beginning the installation, switch power off at service panel and lock the service disconnecting means to prevent power from being switched on accidentally. When the service disconnecting means cannot be locked, securely fasten a prominent warning device, such as a tag, to the service panel.

PRODUCT DIMENSIONS



* For supplied duct cover ceiling height for vented installation and recirculating installation, refer to the table on page 12.

INSTALLATION CLEARANCES



These vent hoods are designed to be installed onto a wall with no above cabinets.

- Install these hoods between the required 24" minimum and 36" recommended maximum above the cooking surface.

The vent hood must be installed between the required 24" minimum and 36" recommended maximum above the cooking surface. The hood installation height above the cooking surface depends upon ceiling height and duct cover limitations. The telescopic duct cover conceals the ductwork running from the top of the hood to the ceiling.

NOTE: Installation height should be measured from the cooking surface to the lowest part of the hood. This hood must be installed onto a wall. It can be vented to the outdoors, or it can be installed for recirculating operation. Recirculating Kit included with hood.

Installation Preparation

PREPARE TO INSTALL THE HOOD

ADVANCE PLANNING

Duct Install Planning

- Determine the exact location of the vent hood.
- Use rigid metal ductwork only.
- Plan the route for venting exhaust to the outdoors. To maximize the ventilation performance of the vent system:
 1. Minimize the duct run length and number of transitions and elbows.
 2. Maintain a constant duct size.
 3. Seal all joints with duct tape to prevent any leaks.
 4. Do not use any type of flexible ducting.
- Use the shortest and straightest duct route possible.
- Install a roof cap with damper at the exterior opening. Order the cap and any transitions and length of duct needed in advance.
- When applicable, install any makeup (replacement) air system in accordance with local building code requirements. Visit GEAppliances.com for available makeup air solutions.

Ceiling Framing for Adequate Support

- These vent hoods are heavy. Adequate structural support must be provided. The ceiling structure must be capable of supporting the weight of the hood and any inadvertent user contact loads (approximately 200 pounds). The hood support frame will be supported by 2 x 4 cross framing.
- Installation will be easier if the vent hood is installed before the cooktop or countertop below is installed.

Duct Covers

- All models are shipped with duct covers. For supplied duct cover ceiling heights for vented installation and recirculating installation, refer to table on page 12.

POWER SUPPLY

IMPORTANT—(Please read carefully)

⚠ WARNING

FOR PERSONAL SAFETY, THIS APPLIANCE MUST BE PROPERLY GROUNDED.

Remove house fuse or open circuit breaker before beginning installation.

Do not use an extension cord or adapter plug with this appliance. Follow National Electrical Codes or prevailing local codes and ordinances.

Electrical Supply

This vent hood must be supplied with 120V, 60Hz, and connected to an individual, properly grounded branch circuit, and protected by a 15 or 20 amp circuit breaker or time delay fuse.

- Wiring must be 2 wire with ground.
- If the electrical supply does not meet the above requirements, call a licensed electrician before proceeding.
- Route house wiring in the ceiling, as close to the installation location as possible. Allow additional length from ceiling joists to reach the junction box on the bottom of the hood support frame.
- Connect the wiring to the house wiring in accordance with local codes.

Grounding Instructions

The grounding conductor must be connected to a ground metal, permanent wiring system, or an equipment-grounding terminal or lead on the hood.

⚠ WARNING

The improper connection of equipment-grounding conductor can result in a risk of electric shock. Check with a qualified electrician or service representative if you are in doubt whether the appliance is properly grounded.

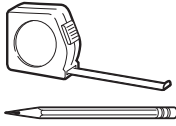
This Hood MUST Use an 8" Round Duct. It Can Transition to a 3-1/4" x 12" Duct.

DO NOT use flexible plastic ducting.

NOTE: Any home ventilation system, such as a ventilation hood, may interrupt the proper flow of combustion air and exhaust required by fireplaces, gas furnaces, gas water heaters and other naturally vented systems. To minimize the chance of interruption of such naturally vented systems, follow the heating equipment manufacturer's guidelines and safety standards such as those published by NFPA and ASHRAE. When applicable, install any makeup (replacement) air system in accordance with local building code requirements. Visit GEAppliances.com for available makeup air solutions.

Installation Preparation

TOOLS AND MATERIALS REQUIRED (NOT SUPPLIED)



Pencil and tape measure



Safety glasses



Spirit level



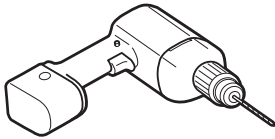
Hammer



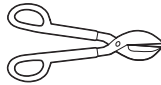
Phillips screwdriver



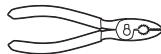
Flashlight



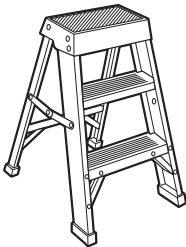
Electric drill with 3/16" bits, #2 Phillips head



Metal snips



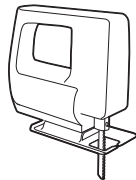
Pliers



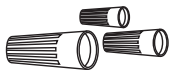
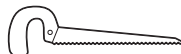
Step ladder



Wire cutter/stripper



Saber saw or Key Hole saw



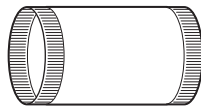
UL listed wire nuts



Aluminized Duct tape



Strain relief for junction box



8" Round metal duct, length to suit installation



120V 60Hz. 15 or 20 Amp, 2-wire with ground, properly grounded branch circuit

REMOVE THE PACKAGING

⚠ CAUTION

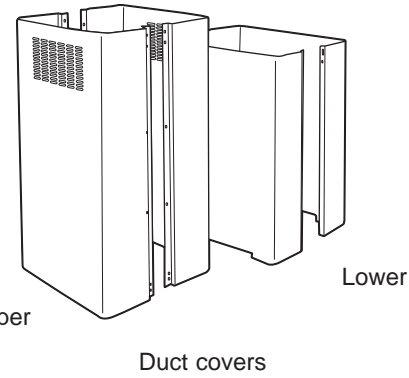
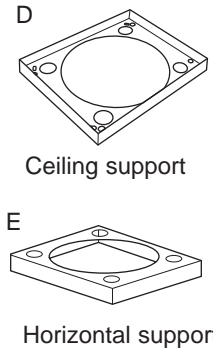
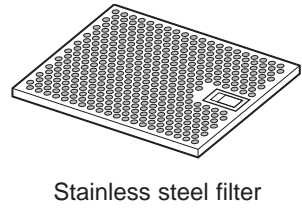
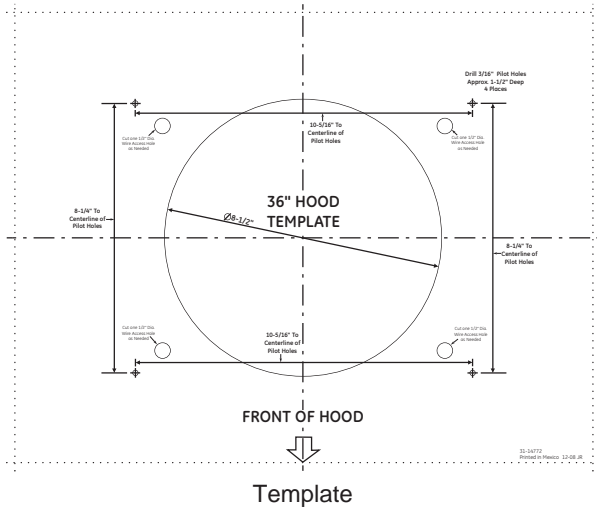
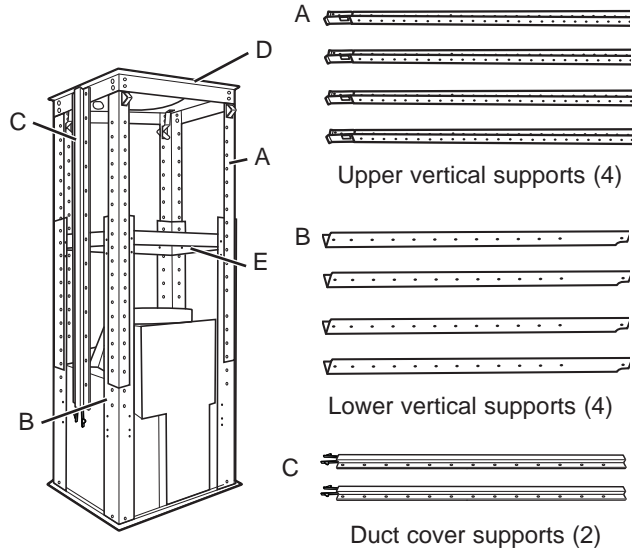
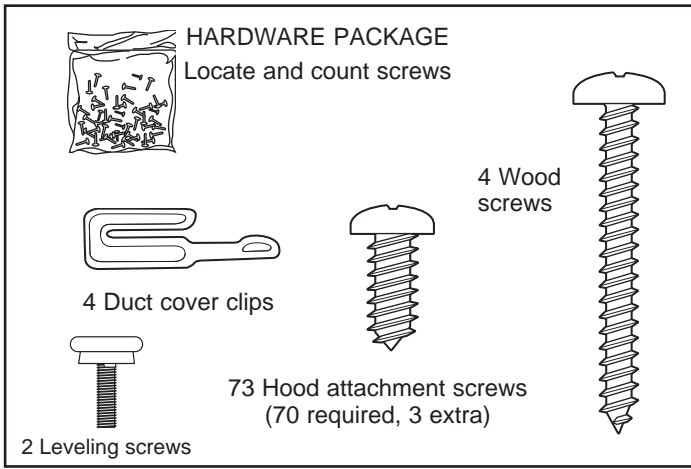
Wear gloves to protect against sharp edges.

- Remove the duct covers.
- Remove the hardware bag, literature package and other boxed parts.
- Remove and properly discard the protective plastic wrapping and other packaging materials.

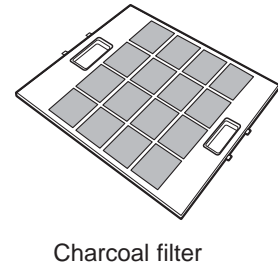
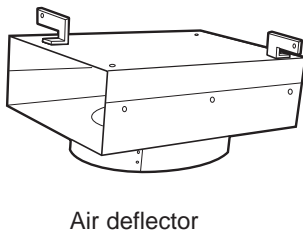
Installation Preparation

CHECK INSTALLATION HARDWARE

Locate the hardware package packed with the hood and check contents.



RECIRCULATING KIT (Included)

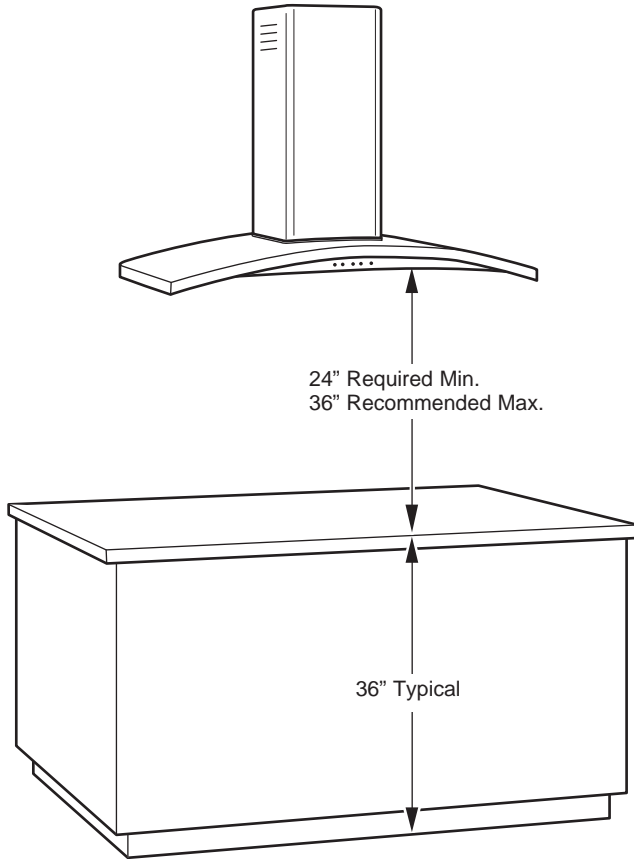


Installation Preparation

INSTALLATION CLEARANCES

These vent hoods are designed to be installed onto a wall with no above cabinets.

- Install these hoods between the required 24" minimum and 36" recommended maximum above the cooking surface.



The vent hood must be installed between the required 24" minimum and 36" recommended maximum above the cooking surface. The hood installation height above the cooking surface depends upon ceiling height and duct cover limitations. The telescopic duct cover conceals the ductwork running from the top of the hood to the ceiling.

NOTE: Installation height should be measured from the cooking surface to the lowest part of the hood. This hood must be installed onto a wall. It can be vented to the outdoors, or it can be installed for recirculating operation. Recirculating Kit included with hood.

UVI7361		
Upper Duct Cover	29.92	
Lower Duct Cover	25.98	
Counter to Hood Height		
Actual Ceiling Height	*Possible VENTED Installation Height	*Possible RECIRCULATING Installation Height
7' 11"	24"	24"
8' 0"	24" to 25"	24" to 25"
8' 1"	24" to 26"	24" to 26"
8' 2"	24" to 27"	24" to 27"
8' 3"	24" to 28"	24" to 28"
8' 4"	24" to 29"	24" to 29"
8' 5"	24" to 30"	24" to 30"
8' 6"	24" to 31"	24" to 31"
8' 7"	24" to 32"	24" to 32"
8' 8"	24" to 33"	24" to 33"
8' 9"	24" to 34"	24" to 34"
8' 10"	24" to 35"	24" to 35"
8' 11"	24" to 36"	24" to 36"
9' 0"	24" to 36"	24" to 36"
9' 1"	24" to 36"	24" to 36"
9' 2"	24" to 36"	24" to 36"
9' 3"	24" to 36"	24" to 36"
9' 4"	24" to 36"	24" to 36"
9' 5"	25" to 36"	24" to 36"
9' 6"	26" to 36"	24" to 36"
9' 7"	27" to 36"	24" to 36"
9' 8"	28" to 36"	24" to 36"
9' 9"	29" to 36"	24" to 36"
9' 10"	30" to 36"	25" to 36"
9' 11"	31" to 36"	26" to 36"
10' 0"	32" to 36"	27" to 36"
10' 1"	33" to 36"	28" to 36"
10' 2"	34" to 36"	29" to 36"
10' 3"	35" to 36"	30" to 36"
10' 4"	36"	31" to 36"
10' 5"		32" to 36"
10' 6"		33" to 36"
10' 7"		34" to 36"
10' 8"		35" to 36"
10' 9"		36"

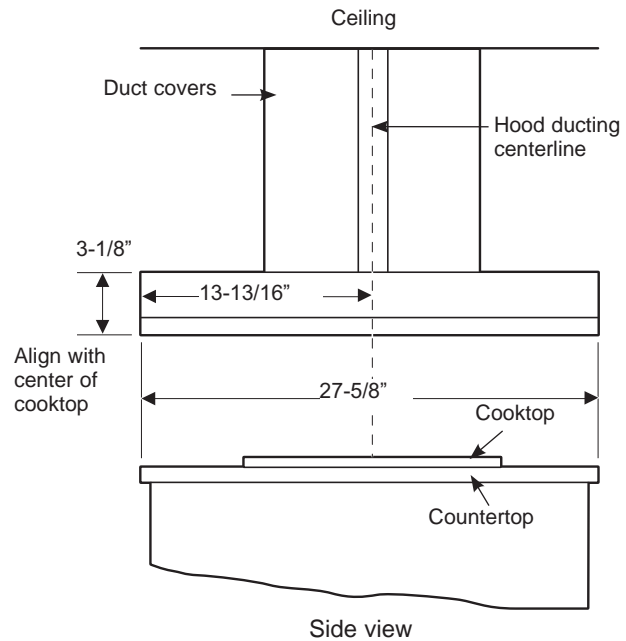
* based on 36" countertop height

Installation Preparation

CONSTRUCT CEILING SUPPORT

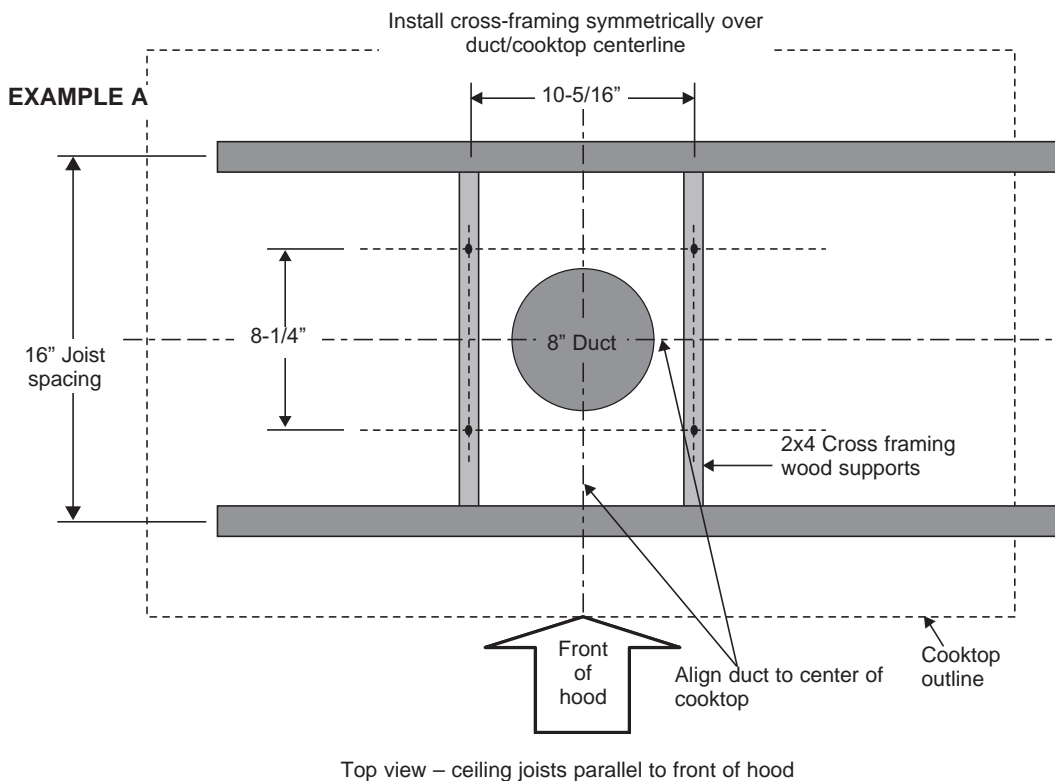
Plan the Location of the Hood and Ductwork

- Use a plumb bob to check the location. The countertop/cooktop below the hood must be centered with the hood.
- The hood should extend beyond the front and rear edge of the cooking appliance.
- The duct in the ceiling must be centered over the cooktop.



Ceiling Support Structure

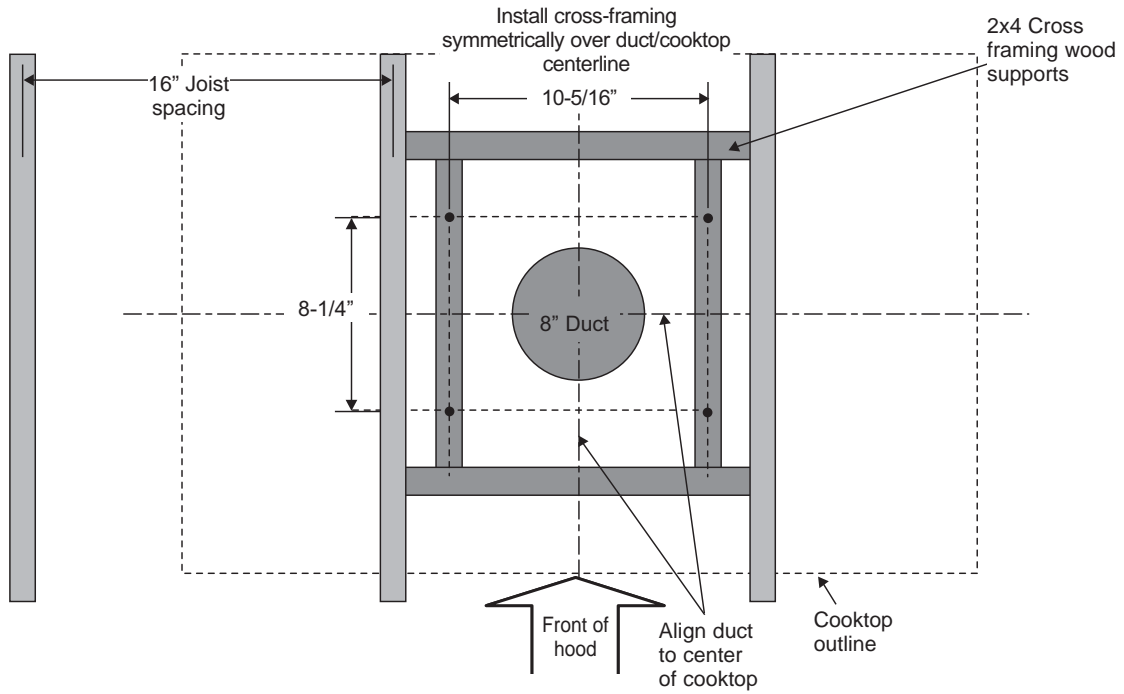
- At the hood location, install cross framing between ceiling joists as shown. (2x4 wood supports are required to support the weight of the hood.)
- Arrange cross framing in the ceiling to suit the existing structure.
- Your ceiling joists will be like one of the following examples.



Installation Preparation

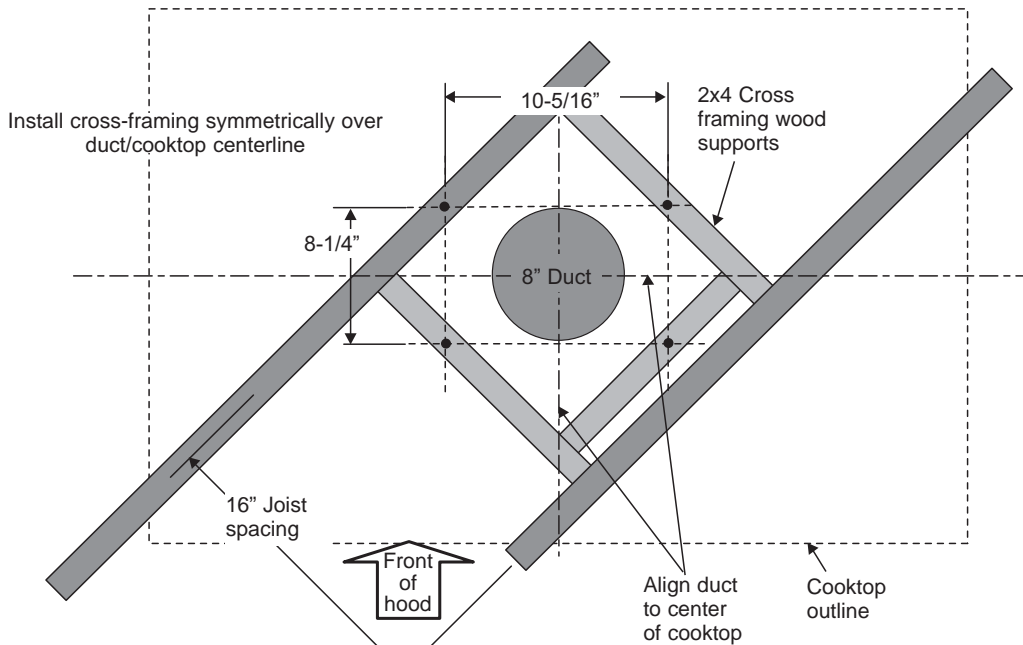
CONSTRUCT CEILING SUPPORT (Cont.)

EXAMPLE B



Top view – ceiling joists run perpendicular to front of hood

EXAMPLE C



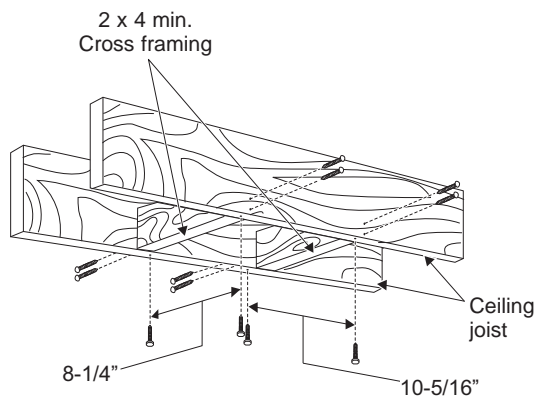
Top view – ceiling joists at angle to front of hood

Installation Preparation

CONSTRUCT CEILING SUPPORT (Cont.)

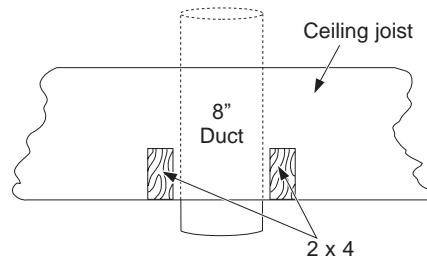
- Secure each 2 x 4 block with at least four (4), #10 wood screws, 3" long (not supplied). Use 8 wood screws total for the two supports.
- The cross framing must be accurately aligned to assure correct positioning of the hood.
- The cross framing must be level in all directions. Check with a spirit level and adjust if necessary.

IMPORTANT: The ceiling structure must be capable of supporting the weight of the hood (approximately 200 pounds) and any inadvertent user contact loads. The hood support frame will be supported by the 2 x 4 cross framing.



Ductwork for Installations Vented to the Outdoors

- Use the shortest and straightest duct route for satisfactory performance.
- This vent hood must use 8" round rigid duct.
- Install the house ductwork to run horizontally between ceiling joists or straight up through the roof.



Finish the Ceiling

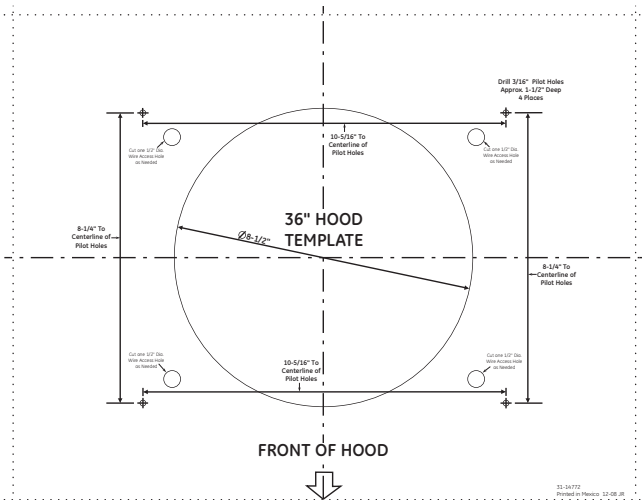
- Finish the ceiling surface. Be sure to mark location of the ceiling joists and cross framing. Check to be sure the ceiling is level; use shims if necessary.

Installation Instructions

INSTALLATION - VENTED TO THE OUTSIDE

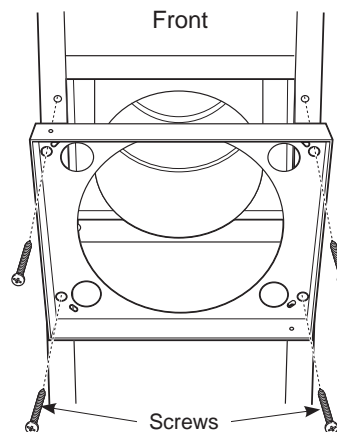
STEP 1: MOUNT TEMPLATE

- Align the template with the marks on the ceiling and tape in place.
 - Be sure the template is oriented correctly with the front of the hood.
- Use a plumb bob to be sure the mounting holes will provide parallel alignment with the countertop below.
- Determine wire access hole location.
- Center punch all screw and determined wire hole locations.
- Drill pilot holes in the 4 screw locations. Use a 3/16" bit and drill approximately 1-1/2" deep.
- Drill one 1/2" hole for wires.
- Cut the 8-1/2" duct opening through the ceiling.



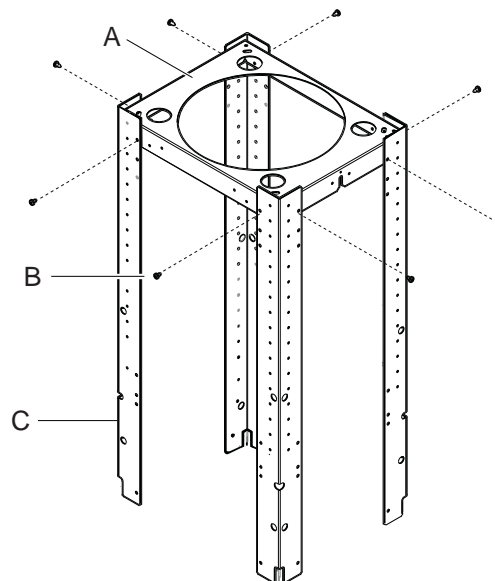
STEP 2: INSTALL CEILING SUPPORT

- Using 4 wood screws provided, attach the ceiling support to the ceiling over duct opening hole using pilot holes drilled in step 1.



STEP 3: INSTALL LOWER HORIZONTAL SUPPORTS TO HOOD ASSEMBLY

- Install the lower horizontal support to 4 lower vertical supports with 8 - 4.2x8 mm screws.

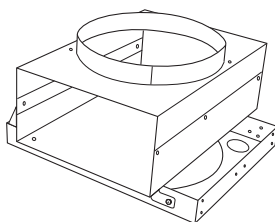


- A. Lower horizontal support
- B. 8 - 4.2x8 mm screws
- C. 4 - Lower vertical supports

NOTE: Only for recirculating version, air deflector not included.

INSTALL AIR DEFLECTOR INTO CEILING SUPPORT

- Lay ceiling support on a firm surface.
- Position the air deflector onto the ceiling support, duct opening up and one of the open sides to what will be the front of the hood assembly. The tabs on the deflector will be to the outside of the ceiling support.



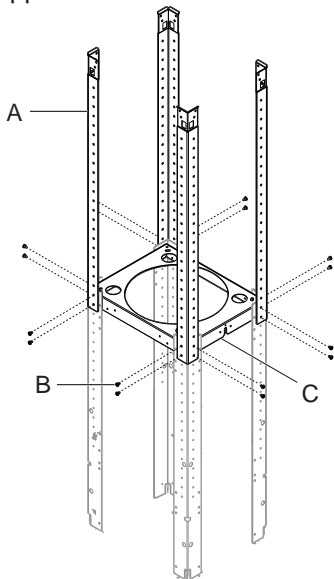
- Using 2 screws provided, secure the tabs on the deflector to the ceiling support.

Installation Instructions

INSTALLATION - VENTED TO THE OUTSIDE (Cont.)

STEP 4: INSTALL UPPER VERTICAL SUPPORTS TO HOOD ASSEMBLY

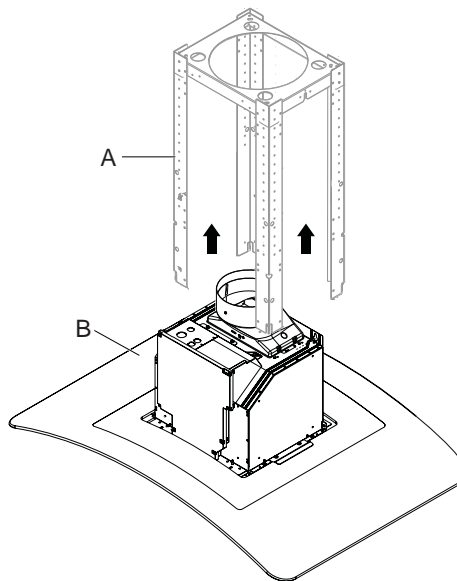
- Install 4 upper vertical supports to the lower horizontal support with 16 - 4.2x8 mm screws.



- A. 4 - Upper vertical supports
- B. 16 - 4.2x8 mm screws
- C. Lower horizontal support

STEP 6: INSTALL HOOD ASSEMBLY TO SUPPORT

- Using 2 or more people, lift the range hood assembly under the structure.

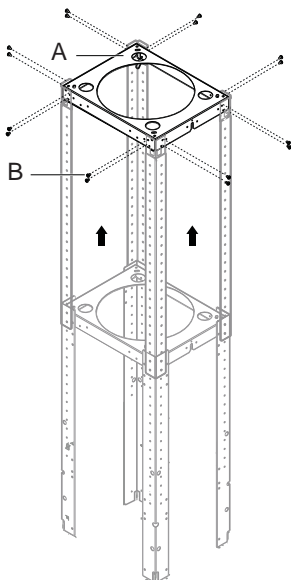


- A. Lower vertical supports
- B. Range hood assembly

STEP 5: INSTALL TO UPPER SUPPORT

- Install the structure to the upper horizontal support with 16 - 4.2 x 8 mm screws.

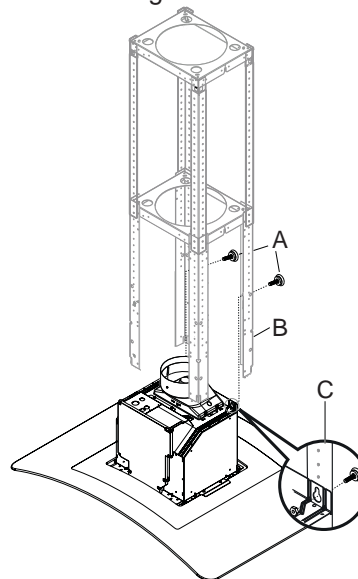
NOTE: Attach the structure to the previously installed upper horizontal support.



- A. Upper horizontal support
- B. 16 - 4.2x8 mm screws

STEP 7: INSTALL TO LOWER SUPPORT

- Attach the range hood assembly to the lower vertical supports with 2 leveling screws and 2 nuts.



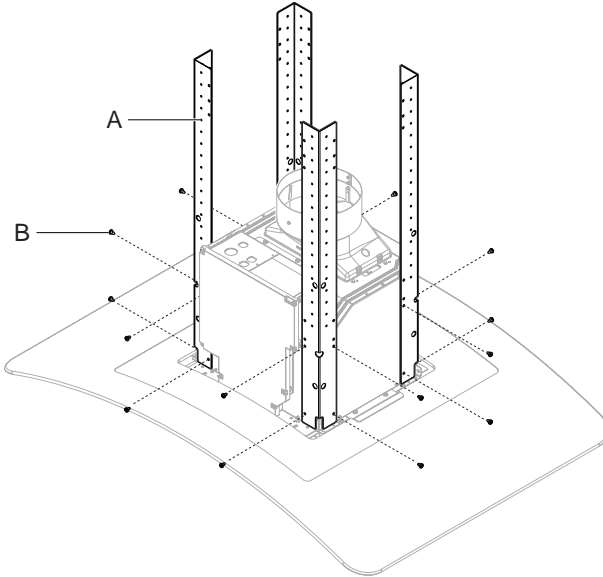
- A. 2 - Leveling screws
- B. Lower vertical support
- C. Place leveling screws through the structure

Installation Instructions

INSTALLATION - VENTED TO THE OUTSIDE (Cont.)

STEP 8: INSTALL VERTICAL SUPPORTS

- Install the 4 vertical supports with 16 - 4.2x8 mm screws. Make sure all screws are securely tightened.



A. 4 - Lower vertical supports
B. 16 - 4.2x8 mm screws

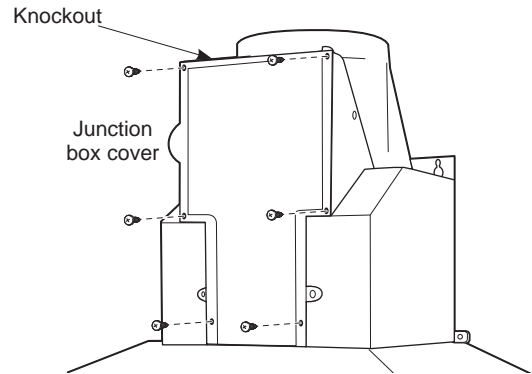
STEP 9: CONNECT ELECTRICAL

Verify that power is turned off at the source.

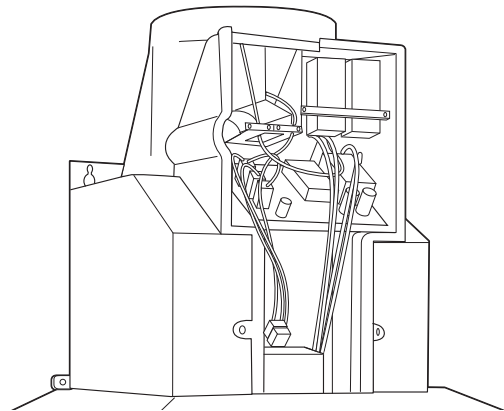
⚠ WARNING

If house wiring is not 2-wire with a ground wire, a ground must be provided by the installer. When house wiring is aluminum, be sure to use U.L. approved anti-oxidant compound and aluminum-to-copper connectors.

- Remove the 6 screws on the junction box cover and the knockout on the top left side.



- Secure the house wiring to the junction box with a strain relief (not provided).



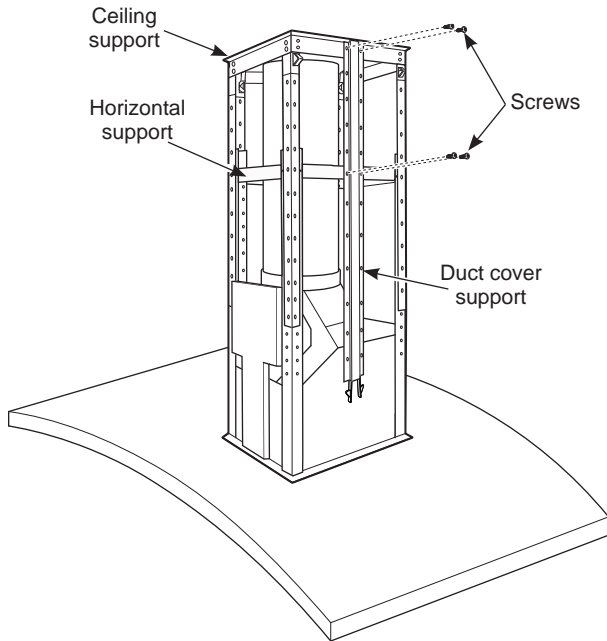
- Connect the white lead to the branch circuit white lead.
- Connect the black lead to the branch circuit black lead.
- Connect the green/yellow lead to the branch circuit green lead or bare ground lead.
- Secure all the connections with wire nuts on each electrical connector.
- Push the wires into the junction box and replace the cover. Be sure the wires are not pinched.
- Secure the junction box cover with the 6 original screws.

Installation Instructions

INSTALLATION - VENTED TO THE OUTSIDE (Cont.)

STEP 10: INSTALL DUCT COVER SUPPORTS

- Attach the duct cover supports to the sides of the horizontal and ceiling supports using 4 screws per duct cover support.

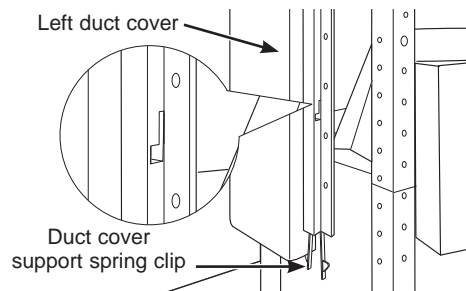


STEP 11: INSTALL DUCT COVERS

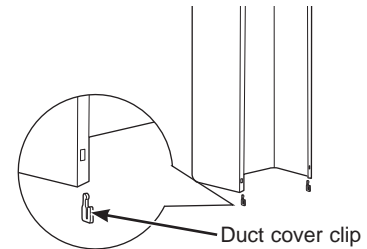
IMPORTANT: Two people are required to install the duct covers.

NOTE: If you are installing this hood for recirculating operation, place the duct covers onto the hood with the venting slots at the top. If the hood is vented to the outside, the holes should be positioned on the bottom.

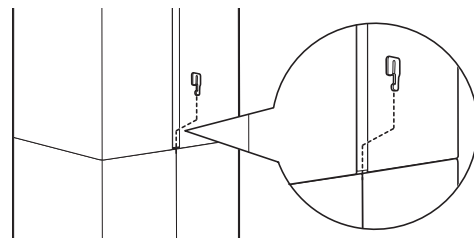
- Remove the protective film from all duct covers.
- Place one upper duct cover over the rear of the support assembly. The tabs on the edges of the duct cover will slide into a notch on the duct cover support. When all 6 tabs on the duct cover are in the notches on both of the duct cover supports, slide the duct cover up so it sits on the duct cover support spring clip.



- Place a duct cover clip onto the bottom of the rear lower duct cover locking the clip into place. Repeat on the other side.



- Lower the duct cover into the recess on the hood, being careful to hold the clip in place while lowering the duct cover onto the hood assembly.
- Place the front lower duct cover into the recess of the hood locking it onto the duct cover clip on the rear cover.
- Place a duct cover clip at the top on each side where the front and rear duct covers meet. This will hold the rear and front covers together.

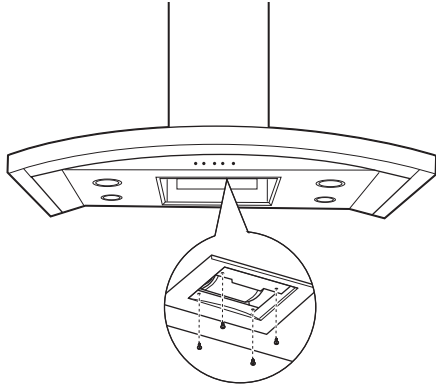


Installation Instructions

INSTALLATION - VENTED TO THE OUTSIDE (Cont.)

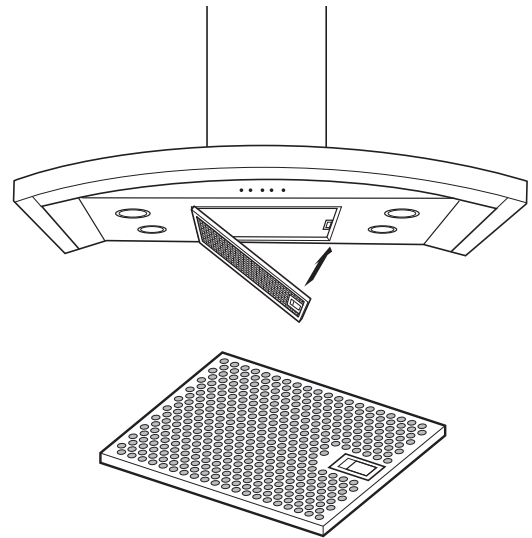
STEP 11: INSTALL DUCT COVERS (Cont.)

- Using screws provided, secure the lower duct covers to the hood assembly from the underside of the hood.



STEP 12: INSTALL METAL GREASE FILTER

- Remove protective film on the grease filter.
 - NOTE:** The charcoal filter is not required for this installation.
- Fit the tabs at the end of the filter into the slots in left side of the filter opening. Lift up the right side of the filter and push gently until the filter locks into place. Make sure the filter lock is in the closed position to secure the filter.
- To remove the filter, pull downward on the filter lock to release.

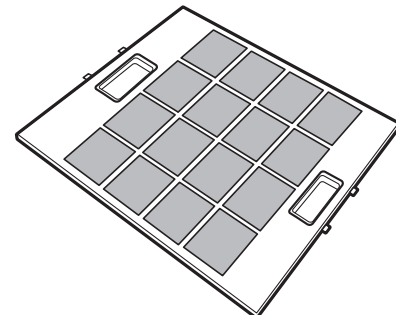


NOTE: Only for recirculating version, air deflector not included.

INSTALL FILTER

Charcoal Filter

Insert the charcoal filter into the opening. Push the latch on both sides toward the center and engage the flange.



Troubleshooting tips ... Before you call for service

Save time and money! Review the charts on the following pages first and you may not need to call for service.

Problem	Possible Cause	What To Do
Fan/Light does not operate when either button is pressed	A house fuse may be blown or a circuit breaker tripped.	Replace fuse or reset circuit breaker.
Fan does not operate when fan + or – buttons or MEMORY/OFF button is pressed	The blower connector is loose or not plugged into its mating connector.	Disconnect power to the unit. Remove the filters and look up at the blower. If the blower connector plug is loose or you see the connector dangling, the installer failed to plug it in securely. See the Installation Instructions for the plug location and how to plug in the connector.
Loud or abnormal airflow noise	Wrong duct size used in installation.	This hood requires 8" minimum ducting to perform optimally. Using smaller duct pipe will cause improper venting. GE Appliances service technicians cannot correct this issue if installed improperly.
Fan fails to circulate air or moves air slower than normal and/or fan is making loud or abnormal airflow noise	Obstructions in duct work.	Make sure nothing is blocking the vent. Make sure flip over and will not fully open when this happens. Adjust to original position.
	Damper blade on wall or roof cap may not be open.	Make sure damper swings freely. Damper blades may flip over and will not fully open when this happens. Adjust to original position.
	Metal grease filter and charcoal filter (if present) may be dirty.	Clean the metal grease filter and replace charcoal filter (if present). See Care and Cleaning of the Vent Hood.
	Insufficient makeup (replacement) air	Sufficient makeup (replacement) air is required for exhausting appliances to operate to rating. Check with local building codes, which may require or strongly advise the use of makeup air. Visit GEAppliances.com for available makeup air solutions.
The hood controls are not operating correctly	Control logic confused.	Disconnect power to the hood by resetting the circuit breaker. Wait 30 seconds to allow controls to reset.
Hood does not appear to operate when the MEMORY/OFF button is pressed. All collars around the push buttons are illuminated.	The memory feature of this hood has not been set. This is normal.	Follow procedures for setting the MEMORY/OFF button. Adjust the Fan and Light settings to your preference.
Fan turned on by itself and is in MED setting. The fan setting can be adjusted but not to OFF.	The heat sensor is activated.	This is normal when temperatures below the hood are exceeding the heat sensor limits. Remove the heat source under the hood or wait until the hood cools to appropriate levels. The hood will automatically turn itself off or return to its original setting once the heat sensor detects the temperature has reached a safe condition.
A collar around a push button is not illuminating when pressed.	Push button may be stuck.	Check affected push button and ensure that it is not stuck. Call for service if problem persists.
Two or more collars around the push buttons are not illuminating when pressed.	Two or more push buttons may be stuck.	Check affected push buttons and ensure that they are not stuck. Call for service if problem persists.
Sequential presses of the LIGHT or FAN buttons will change the setting from lowest setting to OFF, to highest setting, to OFF, to the lowest setting.	This is normal. It is a feature of the hood that the LIGHT and FAN buttons will cycle around through the settings so that you can easily set the controls to your desired setting.	No action required.

Notes

Limited Warranty

LIMITED WARRANTY

GEAppliances.com

All warranty service is provided by our Factory Service Centers, or an authorized Customer Care® technician. To schedule service online, visit us at geappliances.com/service, or call GE Appliances at 800.GE.CARES (800.432.2737). Please have your serial number and your model number available when calling for service.

Servicing your appliance may require the use of the onboard data port for diagnostics. This gives a GE Appliances factory service technician the ability to quickly diagnose any issues with your appliance and helps GE Appliances improve its products by providing GE Appliances with information on your appliance. If you do not want your appliance data to be sent to GE Appliances, please advise your technician not to submit the data to GE Appliances at the time of service.

For the period of	GE Appliances will replace
One year From the date of the original purchase	Any part of the cooking product which fails due to a defect in materials or workmanship. During this limited one-year warranty , GE Appliances will provide, free of charge , all labor and related service costs to replace the defective part.

What GE Appliances will not cover:

- Service trips to your home to teach you how to use the product.
- Improper installation, delivery, or maintenance.
- Failure of the product if it is abused, misused, modified, or used for other than the intended purpose or used commercially.
- Replacement of house fuses or resetting of circuit breakers.
- Damage to the product caused by accident, fire, floods, or acts of God.
- Damage to finish, such as surface rust, tarnish, or small blemishes not reported within 48 hours of delivery.
- Incidental or consequential damage caused by possible defects with this appliance.
- Damage caused after delivery.
- Product not accessible to provide required service.
- Service to repair or replace light bulbs, except for LED lamps.

EXCLUSION OF IMPLIED WARRANTIES

Your sole and exclusive remedy is product repair as provided in this Limited Warranty. Any implied warranties, including the implied warranties of merchantability or fitness for a particular purpose, are limited to one year or the shortest period allowed by law.

This limited warranty is extended to the original purchaser and any succeeding owner for products purchased for home use within the USA. If the product is located in an area where service by a GE Appliances Authorized Servicer is not available, you may be responsible for a trip charge or you may be required to bring the product to an Authorized GE Appliances Service location for service. In Alaska, the limited warranty excludes the cost of shipping or service calls to your home.

Some states do not allow the exclusion or limitation of incidental or consequential damages. This limited warranty gives you specific legal rights, and you may also have other rights which vary from state to state. To know what your legal rights are, consult your local or state consumer affairs office or your state's Attorney General.

Warrantor: GE Appliances, a Haier company
Louisville, KY 40225

Extended Warranties: Purchase a GE Appliances extended warranty and learn about special discounts that are available while your warranty is still in effect. You can purchase it online anytime at

geappliances.com/extended-warranty

or call 800.626.2224 during normal business hours. GE Appliances Service will still be there after your warranty expires.

Staple your receipt here. Proof of the original purchase date is needed to obtain service under the warranty.

Consumer Support

GE Appliances Website

Have a question or need assistance with your appliance? Try the GE Appliances Website 24 hours a day, any day of the year! You can also shop for more great GE Appliances products and take advantage of all our on-line support services designed for your convenience. In the US: GEAppliances.com

Register Your Appliance

Register your new appliance on-line at your convenience! Timely product registration will allow for enhanced communication and prompt service under the terms of your warranty, should the need arise. You may also mail in the pre-printed registration card included in the packing material.

In the US: GEAppliances.com/register

Schedule Service

Expert GE Appliances repair service is only one step away from your door. Get on-line and schedule your service at your convenience any day of the year.

In the US: GEAppliances.com/service or call 800.432.2737 during normal business hours.

Extended Warranties

Purchase a GE Appliances extended warranty and learn about special discounts that are available while your warranty is still in effect. You can purchase it on-line anytime. GE Appliances Services will still be there after your warranty expires.

In the US: GEAppliances.com/extended-warranty or call 800.626.2224 during normal business hours.

Parts and Accessories

Individuals qualified to service their own appliances can have parts or accessories sent directly to their homes (VISA, MasterCard and Discover cards are accepted). Order on-line today 24 hours every day.

In the US: GEApplianceparts.com or by phone at 877.959.8688 during normal business hours.

Instructions contained in this manual cover procedures to be performed by any user. Other servicing generally should be referred to qualified service personnel. Caution must be exercised, since improper servicing may cause unsafe operation.

Contact Us

If you are not satisfied with the service you receive from GE Appliances, contact us on our Website with all the details including your phone number, or write to:

In the US: General Manager, Customer Relations | GE Appliances, Appliance Park | Louisville, KY 40225

GEAppliances.com/contact



CHEMINÉE DE L'ÎLOT HOTTES

CONSIGNES DE SÉCURITÉ	3
UTILISATION DE LA HOTTE	
Commandes.....	5
ENTRETIEN ET NETTOYAGE	
Filtres	6
Surfaces	7
Ampoules.....	7
INSTRUCTIONS	
D'INSTALLATION	8
Préparation de l'installation	9
Ventilée vers l'extérieur.....	16
TRUCS DE DÉPANNAGE	21
GARANTIE LIMITÉE	23
SOUTIEN AU	
CONSOMMATEUR	24

**MANUEL
D'UTILISATION ET
INSTRUCTIONS
D'INSTALLATION**

UVI7361

Inscrivez ci-dessous les numéros
de modèle et de série

N° de modèle _____

N° de série _____

Vous les trouverez sur une
étiquette à l'intérieur de la hotte..

NOUS VOUS REMERCIONS D'ACCUEILLIR GE APPLIANCES CHEZ VOUS

Que vous ayez grandi avec GE Appliances ou qu'il s'agisse de votre première acquisition, nous sommes heureux de vous accueillir dans notre famille.

Nous sommes fiers du savoir-faire, de l'innovation et de l'esthétique qui composent chaque appareil GE Appliances, et nous pensons que vous le serez aussi. Dans cette optique, nous vous rappelons que l'enregistrement de votre électroménager vous assure la communication de renseignements importants sur le produit et la garantie lorsque vous en avez besoin.

Enregistrez votre électroménager GE en ligne dès maintenant. Des sites Web et des numéros de téléphone utiles figurent dans la section Soutien au consommateur de ce manuel d'utilisation. Vous pouvez aussi poster la fiche de garantie pré-imprimée incluse dans l'emballage.



GE APPLIANCES

CONSIGNES DE SÉCURITÉ IMPORTANTES

VEUILLEZ LIRE TOUTES LES CONSIGNES AVANT D'UTILISER

⚠ AVERTISSEMENT POUR RÉDUIRE LE RISQUE D'INCENDIE, DE CHOC ÉLECTRIQUE OU DE BLESSURE CORPORELLE, OBSERVEZ LES DIRECTIVES SUIVANTES :

- A. Utilisez cet appareil seulement de la manière prévue par le fabricant. Si vous avez des questions, contactez le fabricant.
- B. Avant de réparer ou nettoyer l'appareil, coupez le courant au panneau de distribution électrique et verrouillez le dispositif de coupure pour éviter tout rétablissement accidentel du courant. Si vous ne pouvez pas verrouiller le dispositif de coupure de courant, attachez soigneusement un avertissement bien visible, par exemple une étiquette, sur le panneau de distribution électrique.
- C. N'utilisez pas cet appareil avec un régulateur de vitesse à semi-conducteurs.
- D. Cet appareil doit être mis à la terre.

⚠ ATTENTION POUR UN USAGE DE VENTILATION GÉNÉRALE SEULEMENT. NE PAS UTILISER CET APPAREIL POUR ÉVACUER DES MATIÈRES OU DES VAPEURS NOCIVES OU EXPLOSIVES.

⚠ ATTENTION AFIN DE RÉDUIRE LE RISQUE D'INCENDIE ET ÉVACUER L'AIR CORRECTEMENT, ASSUREZ-VOUS DE CANALISER L'AIR À L'EXTÉRIEUR. NE VENTILEZ PAS L'AIR D'ÉCHAPPEMENT DANS LES ESPACES À L'INTÉRIEUR DES MURS OU DES PLAFONDS, DANS LES COMBLES/ GRENIERS, LES VIDES SANITAIRES OU LES GARAGES.

⚠ AVERTISSEMENT AFIN DE RÉDUIRE LE RISQUE DE BLESSURE DANS L'ÉVENTUALITÉ D'UN FEU DE GRAISSE SUR LE DESSUS DE LA CUISINIÈRE, SUIVEZ LES CONSIGNES SUIVANTES* :

- A. ÉTOUFFEZ LES FLAMMES à l'aide d'un couvercle hermétique, d'une tôle à biscuits ou d'un plateau métallique, puis éteignez le brûleur/l'élément. USEZ DE PRUDENCE POUR PRÉVENIR LES BRÛLURES. Si les flammes ne s'éteignent pas immédiatement, ÉVACUEZ LES LIEUX ET APPELEZ LE SERVICE DES INCENDIES.
- B. NE PRENEZ JAMAIS UN RÉCIPIENT DE CUISSON EN FLAMMES — Vous pourriez vous brûler.
- C. N'UTILISEZ PAS D'EAU, y compris des linges à vaisselle ou des serviettes mouillés — Une violente explosion de vapeur peut en résulter.
- D. Utilisez un extincteur SEULEMENT si :
 1. Vous savez que vous possédez un extincteur de Classe ABC et vous savez déjà comment l'utiliser.
 2. Le feu est petit et restreint à la zone où il a débuté.
 3. Le service des incendies a été contacté.
 4. Vous pouvez combattre le feu avec votre dos à proximité d'une sortie.

*Selon le document « Kitchen Fire Safety » (sécurité relative aux feux de cuisine) publié par la NFPA.

LISEZ CES INSTRUCTIONS ET RANGEZ-LES SOIGNEUSEMENT

CONSIGNES DE SÉCURITÉ IMPORTANTES

VEUILLEZ LIRE TOUTES LES CONSIGNES AVANT D'UTILISER

▲ AVERTISSEMENT POUR RÉDUIRE LE RISQUE DE FEU DE GRAISSE SUR LE DESSUS DE LA CUISINIÈRE :

- A. Ne laissez jamais les éléments/brûleurs de surface sans surveillance aux réglages de haute température. Les débordements produisent de la fumée et des éclaboussures de graisse qui peuvent prendre feu. Chauffez les huiles lentement à des réglages moyens.
- B. Mettez toujours la hotte en marche lorsque vous cuisez à haute température ou flambez un aliment (p.ex. crêpes Suzette, cerises jubilé, bœuf au poivre flambé).
- C. Nettoyez les ventilateurs fréquemment. Ne laissez pas la graisse s'accumuler sur le ventilateur ou le filtre.
- D. Utilisez un récipient de cuisson de la taille appropriée. Utilisez toujours un récipient adapté à la taille de l'élément/brûleur de surface.

▲ AVERTISSEMENT POUR RÉDUIRE LE RISQUE D'INCENDIE, DE CHOC ÉLECTRIQUE OU DE BLESSURE CORPORELLE, OBSERVEZ LES DIRECTIVES SUIVANTES :

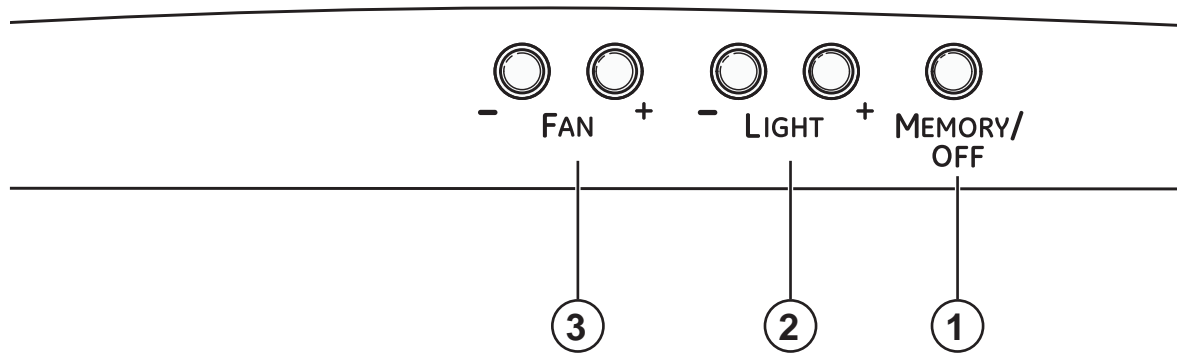
- A. Vous devez faire exécuter tous les travaux d'installation et de câblage électrique par une personne qualifiée, conformément à tous les codes et les normes en vigueur, en particulier ceux relatifs à la résistance au feu.

- B. Un volume d'air suffisant est nécessaire pour assurer une combustion adéquate et l'évacuation des gaz par le conduit d'évacuation (cheminée) de l'équipement de combustion afin d'éviter tout retour d'air. Suivez les directives du fabricant de l'équipement de cuisson, les codes des autorités locales ainsi que les normes de sécurité publiées par des organismes tels que la National Fire Protection Association (NFPA) et l'American Society for Heating, Refrigeration and Air Conditioning Engineers (ASHRAE).
- C. Si vous faites un trou ou une ouverture dans un mur ou un plafond, n'endommagez pas les fils électriques et les autres installations cachées de service public.
- D. Les ventilateurs canalisés doivent toujours diriger l'air vers l'extérieur.
- E. Lorsqu'il y a lieu, installez un système d'air d'appoint en conformité avec les prescriptions du code du bâtiment local. Visitez **GEAppliances.com** pour les solutions offertes en matière d'air d'appoint.
- F. Déclenchez (OFF) le(s) disjoncteur(s) des pièces adjacentes lorsque vous travaillez.

▲ AVERTISSEMENT POUR RÉDUIRE LE RISQUE D'INCENDIE, UTILISEZ SEULEMENT DES CONDUITS MÉTALLIQUES.

- Ne tentez pas de réparer ou de remplacer une pièce de la hotte sauf si cela est spécifiquement recommandé dans ce manuel. Toute autre réparation devrait être confiée à un technicien qualifié.

LISEZ CES INSTRUCTIONS ET RANGEZ-LES SOIGNEUSEMENT



1. MEMORY/OFF (mémoire/arrêt) : Pour régler la mémoire :

- A. Appuyez sur le bouton MEMORY/OFF.
- B. Entrez les réglages de ventilateur et d'éclairage de votre choix.
- C. Appuyez de nouveau sur le bouton **MEMORY/OFF** pour enregistrer ces réglages.

Avec les réglages désirés en mémoire, appuyez sur le bouton **MEMORY/OFF** pour rétablir la vitesse du ventilateur et le niveau d'éclairage aux réglages enregistrés. Ces réglages restent en mémoire jusqu'à ce qu'ils soient modifiés ou qu'une panne de courant se produise.

Pour éteindre la hotte, appuyez sur le bouton **MEMORY/OFF**.

2. LIGHT (éclairage) : Appuyez sur + ou – pour augmenter ou diminuer le niveau d'éclairage au réglage désiré. Il y a 2 niveaux d'éclairage : faible, élevé et éteint. Si vous continuez à appuyer sur les boutons + ou –, l'éclairage reprendra la séquence de réglage.

3. FAN (ventilateur) : Appuyez sur + ou – pour augmenter ou diminuer la vitesse du ventilateur au réglage désiré. Il y a 4 vitesses de ventilateur : basse, moyenne, élevée et éteinte (off). Si vous continuez à appuyer sur les boutons + ou –, le ventilateur reprendra la séquence de réglage.

REMARQUE : Un « bip » se fait entendre à chaque pression d'un bouton. Ce phénomène est normal.

REMARQUE : Les collets autour des boutons s'allument lorsqu'on appuie dessus. Ce phénomène est normal. Les collets s'éteignent automatiquement si la hotte est éteinte.

CAPTEUR DE CHALEUR :

Cette hotte est équipée d'un capteur de chaleur qui allume le ventilateur si des températures excessives sont détectées (plus de 70°C/158°F) au-dessus de la surface de cuisson. La hotte retourne à son fonctionnement normal une fois que le capteur de chaleur détecte des températures inférieures à 60°C/140°F.

REMARQUE : Si la hotte est éteinte ou à basse vitesse, les températures supérieures à 70°C/158°F sont détectées et le ventilateur s'ajuste automatiquement à la vitesse moyenne. Vous pouvez régler la vitesse du ventilateur à élevée ou surélevée (boost), mais non à vitesse basse ou éteinte tant que des températures inférieures à 60°C/140°F ne sont pas détectées.

REMARQUE : Il se peut que les collets autour des boutons ne s'allument pas si le capteur de chaleur est activé. Ce phénomène est normal.

Filtres

Assurez-vous que l'alimentation électrique est coupée et que toutes les surfaces sont refroidies avant de nettoyer ou d'entretenir une partie quelconque de la hotte

Filtre à graisse métallique

Le filtre métallique emprisonne la graisse libérée par les aliments depuis la surface de cuisson. Le filtre aide aussi à prévenir les flammes (de la nourriture, de la graisse) d'endommager l'intérieur de la hotte

Pour cette raison, le filtre doit TOUJOURS être en place lorsque la hotte est utilisée. Le filtre à graisse va au lave-vaisselle et doit être nettoyé tous les 6 mois ou au besoin.

Pour retirer :

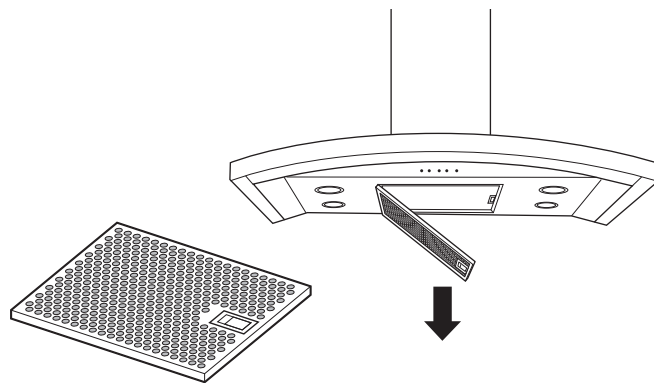
Tirez vers le bas sur le loquet de filtre pour libérer le filtre.

Pour replacer :

Insérez les languettes à l'extrémité du filtre dans les fentes du côté gauche de l'ouverture du filtre. Soulevez le côté droit du filtre et poussez doucement jusqu'à ce que le filtre se verrouille en place. Assurez-vous que le verrou du filtre est dans la position fermée pour fixer le filtre.

Pour nettoyer, brassez le filtre dans de l'eau chaude savonneuse et rincez-le à l'eau propre ou lavez-le au lave-vaisselle. N'utilisez pas de nettoyants abrasifs.

REMARQUE : Une certaine décoloration du filtre peut survenir dans le lave-vaisselle.



Filtre à charbon

Pour l'installation à recyclage seulement

Si la ventilation du modèle n'est pas évacuée à l'extérieur, l'air sera recyclé à travers un filtre à charbon jetable qui capte la fumée et les odeurs.

Le filtre à charbon doit être remplacé lorsqu'il devient sale ou décoloré (généralement au bout de 6 à 12 mois, selon l'usage de la hotte).

REMARQUE : NE rincez PAS le filtre à charbon et ne le mettez pas au lave-vaisselle.

Le filtre à charbon ne peut pas être nettoyé. Il doit être remplacé.

Commandez le filtre à charbon **WB02X11348**.

Pour des renseignements sur l'achat de filtres à charbon ou pour trouver le détaillant le plus près de chez vous, veuillez composer notre numéro sans frais :

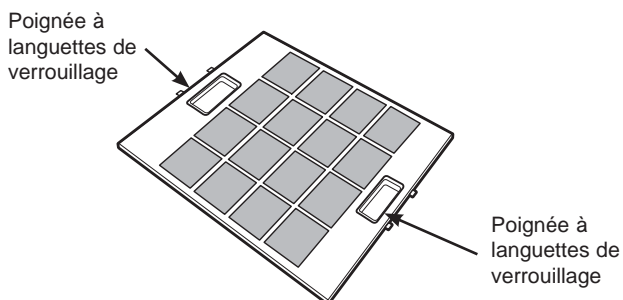
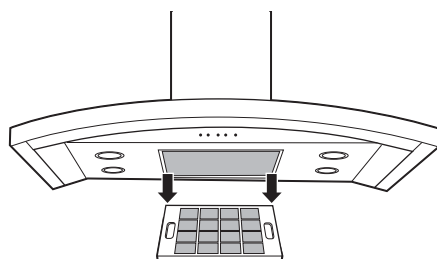
Centre national des pièces : **800,626. 2002**

Pour retirer :

1. Retirez le filtre métallique, voyez la section Filtre à graisse métallique.
2. Retirez le filtre à charbon en poussant sur les deux poignées de verrouillage pour le dégager.

Pour replacer :

1. Insérez la filtre à charbon dans l'ouverture. Poussez les poignées de verrouillage vers le centre et relâchez-les pour engager les languettes de verrouillage.
2. Remplacez le filtre métallique; voyez la section Filtre à graisse métallique.



Entretien et Nettoyage

Surfaces en acier inoxydable

N'utilisez pas de tampons à récurer en laine d'acier car ils rayent la surface.

Pour nettoyer la surface en acier inoxydable, utilisez de l'eau tiède savonneuse ou un nettoyant ou poli pour acier inoxydable. Essayez toujours la surface dans la direction de la ligne de brossage. Suivez les instructions du fabricant du nettoyant pour acier inoxydable. Les nettoyants qui contiennent de l'acide oxalique tels que Bar Keepers Friend Soft Cleanser™ vont éliminer la rouille, le ternissement et les petites taches. Pour recevoir un coupon de \$2,00 \$ pour un échantillon de Bar Keepers Friend Soft Cleanser™, suivez le lien ci-dessous ou balayez le code QR.

barkeepersfriend.com/ge

Utilisez uniquement un nettoyant liquide exempt d'abrasif et frottez dans la direction des lignes de brosse à l'aide d'une éponge douce humide

Pour des renseignements sur l'achat de produits de nettoyage ou de polissage pour acier inoxydable ou pour trouver le détaillant le plus près de chez vous, veuillez composer notre numéro sans frais : 800.626.2002

GEApplianceParts.com



Lampes DEL

Les lampes DEL sont remplaçables par un technicien d'entretien seulement. Reportez-vous à la section Garantie limitée pour obtenir les coordonnées du service après-vente.

Instructions d'installation

Cheminée de L'îlot Hottes

? Pour toute question, contactez GE Appliances au 800.GE.CARES (800.432.2737) ou visitez notre site Web sur : GEAppliances.com

AVANT DE COMMENCER

Veillez lire toutes ces instructions attentivement et en entier.

- **IMPORTANT** — Conservez ces instructions à l'usage de l'inspecteur local.
- **IMPORTANT** — Observez tous les codes et règlements en vigueur.
- **Note à l'installateur** – Assurez-vous de laisser ces instructions au consommateur.
- **Note au consommateur** – Conservez ces instructions pour consultation ultérieure.
- **Niveau de compétence** – L'installation de cette hotte exige des compétences de base en mécanique et électricité.
- **Temps d'exécution** – De 1 à 3 heures.
- L'exactitude de l'installation est la responsabilité de l'installateur.
- La garantie ne couvre pas les défauts du produit causés par une installation inadéquate.

⚠ ATTENTION

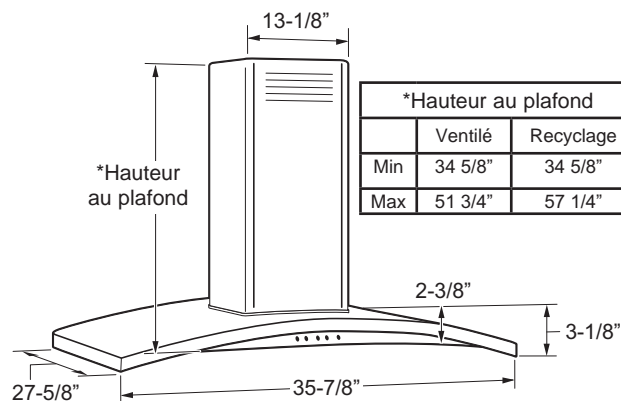
En raison du poids et de la taille de ce type de hotte et de la nécessité de réduire le risque de blessure personnelle ou de dommage au produit, **DEUX PERSONNES SONT REQUISES POUR PROCÉDER À UNE INSTALLATION ADÉQUATE.**

POUR VOTRE SÉCURITÉ

⚠ AVERTISSEMENT

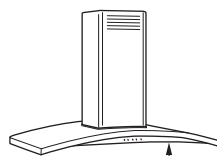
Avant de commencer l'installation, coupez le courant au panneau de service et verrouillez les mécanismes de débranchement de service pour éviter tout branchement accidentel au courant. Si vous ne pouvez pas verrouiller les mécanismes de débranchement de service, attachez soigneusement un avertissement bien visible, comme une étiquette, au panneau de service.

DIMENSIONS DU PRODUIT

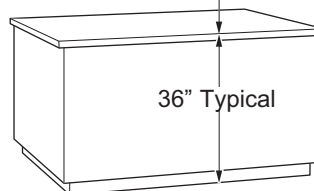


* Pour connaître les hauteurs au plafond requises avec les couvre-conduits (fournis) pour l'installation ventilée à l'extérieur et l'installation en recyclage de l'air, consultez le tableau à la page 12.

DÉGAGEMENTS POUR L'INSTALLATION



*Minimum requis de 24 po
*Maximum recommandé de 36 po



Ces hottes de ventilation sont conçues pour être installées sur un mur sans armoires au-dessus.

- Installez ces hottes entre le minimum requis de 24 po et le maximum recommandé de 36 po au-dessus de la surface de cuisson.

La hotte doit être installée entre le minimum requis de 24 po et le maximum recommandé de 36 po au-dessus de la surface de cuisson. La hauteur d'installation de la hotte au-dessus de la surface de cuisson dépend de la hauteur du plafond et des limites qu'impose le couvre-conduits. Le couvre-conduits télescopique dissimule les conduits qui s'étendent du haut de la hotte jusqu'au plafond.

REMARQUE : La hauteur d'installation doit être mesurée depuis la surface de cuisson jusqu'à la partie la plus basse de la hotte. La hotte doit être installée sur un mur. Elle peut être ventilée vers l'extérieur ou par un dispositif de recyclage de l'air.

PRÉPARATION DE L'INSTALLATION DE LA HOTTE

PLANIFICATION PRÉALABLE

Planification de l'installation des conduits

- Déterminez la position exacte de la hotte.
- N'utilisez que des conduits métalliques rigides.
- Planifiez la trajectoire de l'évacuation vers l'extérieur. Pour maximiser le rendement de la ventilation :
 1. Minimisez la longueur de la canalisation et le nombre de pièces de transition et de coudes.
 2. Maintenez une taille de conduits uniforme.
 3. Scellez tous les joints avec du ruban à conduits pour empêcher les fuites.
 4. N'utilisez aucun type de conduit flexible.
- Utilisez le chemin de conduit le plus court et le plus droit possible
- Installez un évent de toit ou mural avec registre sur l'ouverture extérieure. Achetez à l'avance un évent de toit ou mural ainsi que toute longueur de conduits et de pièces de transition.
- S'il y a lieu, installez tout système d'air d'appoint (remplacement) en conformité avec les exigences du code du bâtiment local. Visitez GEAppliances.com pour les solutions offertes en matière d'air d'appoint

Ossature de mur ou de toit pour un support adéquat

- Cette hotte est lourde. Un support structurel adéquat doit être fourni. La structure du plafond doit être capable de supporter le poids de la hotte et toute charge accidentelle de contact avec l'utilisateur (environ 200 livres). Le cadre de support de la hotte sera soutenu par une ossature transversale de 2 x 4.
- L'installation sera plus facile si la hotte est installée avant la table de cuisson ou le comptoir en dessous. Couvertures de conduit
- Tous les modèles sont livrés avec des couvercles de conduit. Pour les hauteurs de plafond des couvercles de conduit fournis pour une installation ventilée et une installation de recirculation, reportez-vous au tableau de la page 12.

ALIMENTATION ÉLECTRIQUE

IMPORTANT – (Veuillez lire attentivement)

⚠ AVERTISSEMENT

POUR VOTRE SÉCURITÉ, CET APPAREIL DOIT ÊTRE CORRECTEMENT MIS À LA TERRE.

Enlevez le fusible domestique ou ouvrez le disjoncteur avant de commencer l'installation.

N'utilisez pas un cordon de rallonge ou une fiche d'adaptation avec cet appareil. Respectez les codes d'électricité nationaux ou tout code ou décret local en vigueur.

Alimentation électrique

Un courant de 120 V, 60 Hz doit alimenter la hotte et celle-ci doit être branchée à un circuit de dérivation correctement mis à la terre, protégé par un disjoncteur de 15 ou 20 ampères ou un fusible à retardement.

- Le câblage doit comporter 2 fils avec terre.
- Si l'alimentation électrique ne correspond pas aux caractéristiques ci-dessus, communiquez avec un électricien agréé avant de procéder.
- Acheminez le câblage domestique aussi près de l'installation que possible, dans le plafond ou le mur.
- Connectez le câblage de la hotte au câblage domestique en conformité avec les codes locaux.

Instructions de mise à la terre

Le fil de mise à la terre doit être connecté à du métal qui conduit à la terre, à un système de câblage permanent, ou à une borne de terre ou un conducteur sur la hotte.

⚠ AVERTISSEMENT

Une connexion incorrecte du conducteur de mise à la terre peut poser un risque de choc électrique. Consultez un électricien compétent ou un technicien en réparation si vous doutez que l'appareil soit correctement mis à la terre.

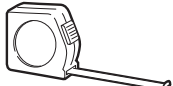
Cette hotte DOIT utiliser un conduit rond de 8po. Elle peut passer à un conduit de 3 1/4 x 12po.

N'utilisez PAS de conduits flexibles en plastique.

REMARQUE : Tout système de ventilation domestique, comme une hotte, peut interrompre la circulation adéquate de l'air de combustion et des gaz d'évacuation requise pour les foyers, les fournaies au gaz, les chauffe-eau au gaz et d'autres systèmes de ventilation naturelle. Pour minimiser les risques d'interruption de tels systèmes de ventilation naturelle, suivez les directives du fabricant d'équipement de chauffage et les normes de sécurité telles que celles publiées par la NFPA et l'ASHRAE. S'il y a lieu, installez tout système d'air d'appoint (remplacement) en conformité avec les exigences du code du bâtiment local. Visitez GEAppliances.com pour les solutions offertes en matière d'air d'appoint.

Préparation de l'installation

OUTILS ET MATÉRIEL REQUIS (NON FOURNIS)



Crayon et ruban à mesurer



Lunettes de protection



Niveau



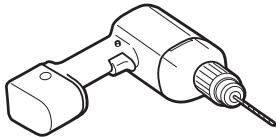
Marteau



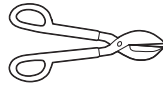
Tournevis à tête cruciforme



Lampe-torche



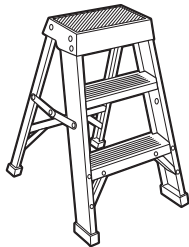
Perceuse électrique avec embouts de 3/16 po, tête Phillips n° 2



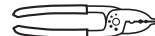
Cisaille à tôle



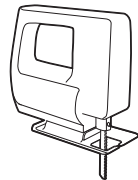
Pince



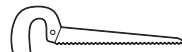
Escabeau



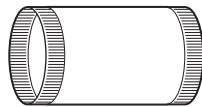
Outil à couper et dénuder les fils



Scie sauteuse ou scie-cloche



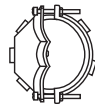
Capuchons de connexion homologués UL



Conduit rond métallique de 8 po, longueur selon l'installation



Ruban à conduits aluminisé



Serre-câble pour boîte de jonction



Câble à 2 fils et fil de terre 120 V, 60 Hz, 15 ou 20 A, circuit de dérivation correctement mis à la terre

RETRAIT DE L'EMBALLAGE

ATTENTION Portez des gants pour vous protéger contre les arêtes coupantes.


- Retirez le sac de quincaillerie, la documentation et les autres pièces dans des boîtes.
- Retirez et jetez proprement l'emballage de protection en plastique et les autres matières d'emballage.
- Considérez les options de recyclage des matériaux d'emballage de votre électroménager.

Préparation de l'installation

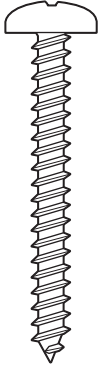
VÉRIFICATION DU MATÉRIEL D'INSTALLATION

Repérez le sac de visserie livré avec la hotte et vérifiez son contenu.


SAC DE VISSERIE
Repérez et comptez les vis



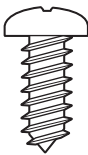
4 vis à bois



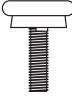
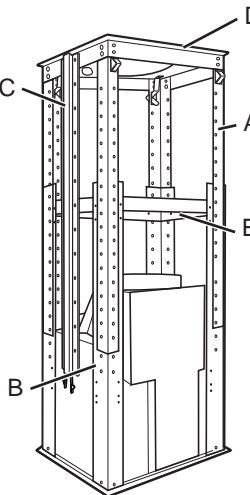
4 clips de couverture de conduit



73 Vis de fixation du capot (70 requis, 3 supplémentaires)



2 vis de mise à niveau

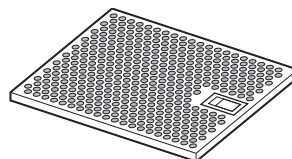
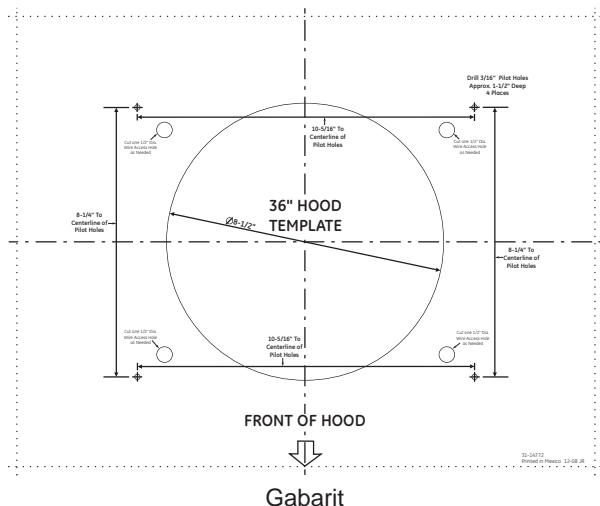
A: Supports verticaux supérieurs (4)

B: Supports verticaux inférieurs (4)

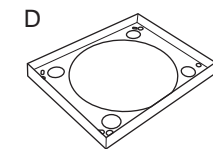
C: Supports de couverture de conduit (2)

D: Support de plafond

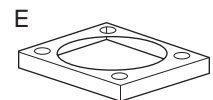
E: Support horizontal



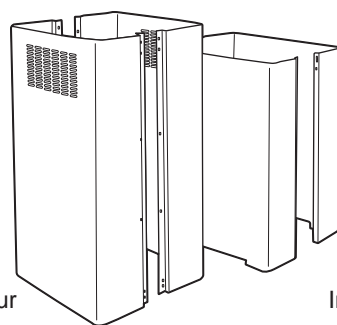
Filtre en acier inoxydable



Support de plafond

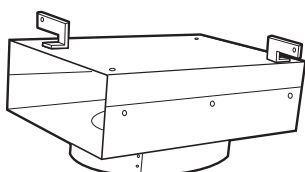


Support horizontal

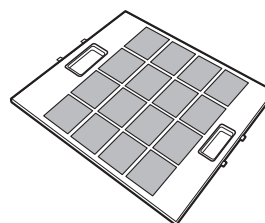


Couvertures de conduit

TROUSSE DE RECYCLAGE DE L'AIR (incluse)



Défecteur d'air



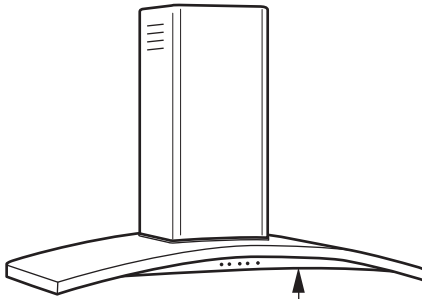
Filtre à charbon

Préparation de l'installation

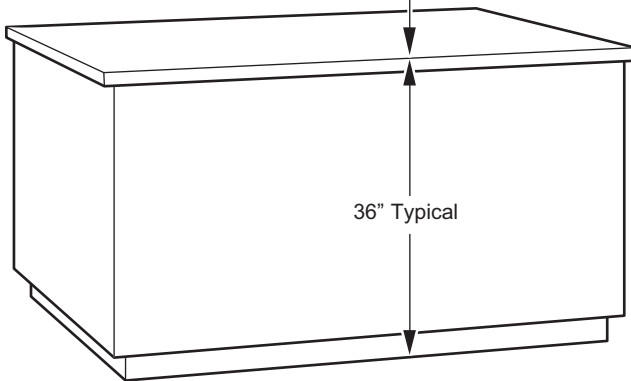
DÉGAGEMENTS POUR L'INSTALLATION

Ces hottes sont conçues pour s'installer sur un mur sans armoires au-dessus.

- Cette hotte doit être installée entre le minimum requis de 24 po et le maximum recommandé de 36 po au-dessus de la surface de cuisson.



*Minimum requis de 24 po
*Maximum recommandé de 36 po



36" Typical

La hauteur d'installation de la hotte au-dessus de la surface de cuisson dépend de la hauteur du plafond et des limites qu'impose le couvre-conduits. Le couvre-conduits télescopique dissimule les conduits qui s'étendent du haut de la hotte jusqu'au plafond.

REMARQUE : La hauteur d'installation doit être mesurée depuis la surface de cuisson jusqu'à la partie la plus basse de la hotte. La hotte doit être installée sur un mur. Elle peut être ventilée vers l'extérieur ou par un dispositif de recyclage de l'air. Une trousse de recyclage de l'air est incluse avec la hotte.

UVI7361		
Upper Duct Cover	29.92	
Lower Duct Cover	25.98	
Counter to Hood Height		
Actual Ceiling Height	*Possible VENTED Installation Height	*Possible RECIRCULATING Installation Height
7' 11"	24"	24"
8' 0"	24" to 25"	24" to 25"
8' 1"	24" to 26"	24" to 26"
8' 2"	24" to 27"	24" to 27"
8' 3"	24" to 28"	24" to 28"
8' 4"	24" to 29"	24" to 29"
8' 5"	24" to 30"	24" to 30"
8' 6"	24" to 31"	24" to 31"
8' 7"	24" to 32"	24" to 32"
8' 8"	24" to 33"	24" to 33"
8' 9"	24" to 34"	24" to 34"
8' 10"	24" to 35"	24" to 35"
8' 11"	24" to 36"	24" to 36"
9' 0"	24" to 36"	24" to 36"
9' 1"	24" to 36"	24" to 36"
9' 2"	24" to 36"	24" to 36"
9' 3"	24" to 36"	24" to 36"
9' 4"	24" to 36"	24" to 36"
9' 5"	25" to 36"	24" to 36"
9' 6"	26" to 36"	24" to 36"
9' 7"	27" to 36"	24" to 36"
9' 8"	28" to 36"	24" to 36"
9' 9"	29" to 36"	24" to 36"
9' 10"	30" to 36"	25" to 36"
9' 11"	31" to 36"	26" to 36"
10' 0"	32" to 36"	27" to 36"
10' 1"	33" to 36"	28" to 36"
10' 2"	34" to 36"	29" to 36"
10' 3"	35" to 36"	30" to 36"
10' 4"	36"	31" to 36"
10' 5"		32" to 36"
10' 6"		33" to 36"
10' 7"		34" to 36"
10' 8"		35" to 36"
10' 9"		36"

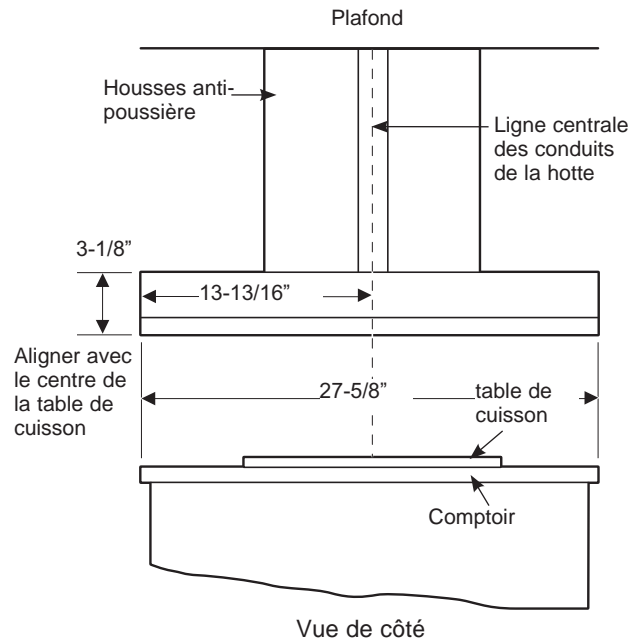
* based on 36" countertop height

Préparation de l'installation

CONSTRUIRE UN SUPPORT DE PLAFOND

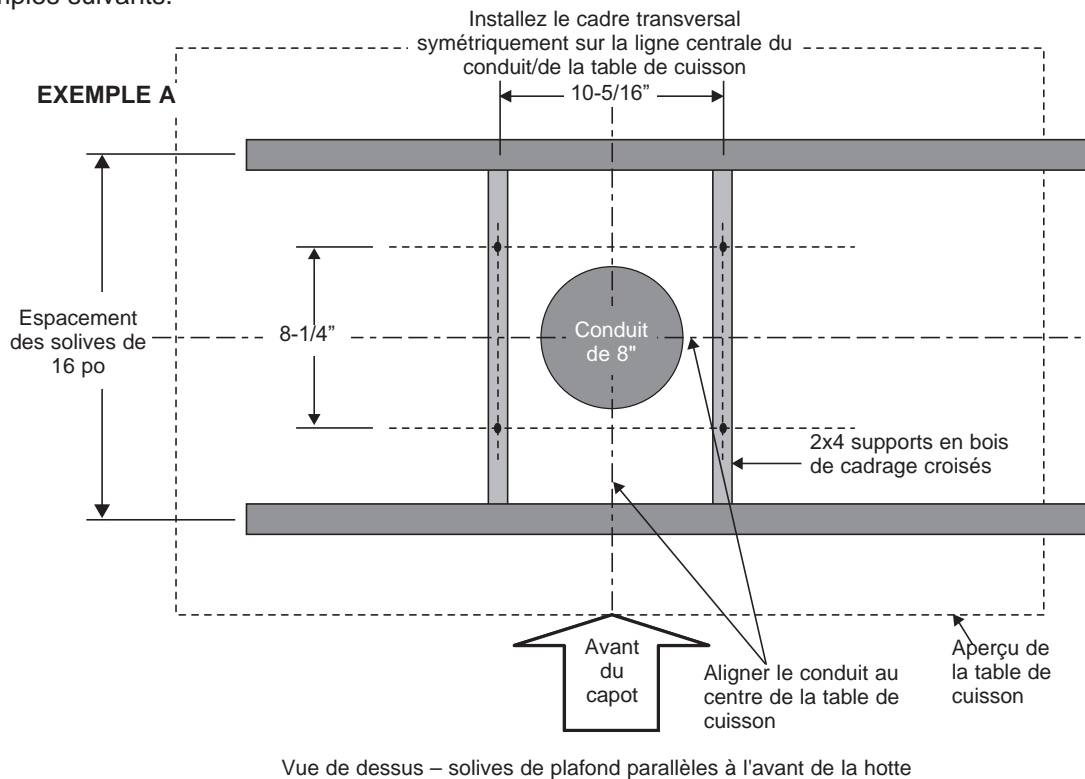
Planifier l'emplacement de la hotte et des conduits

- Utilisez un fil à plomb pour vérifier l'emplacement. Le comptoir/table de cuisson sous la hotte doit être centré avec la hotte.
- La hotte doit dépasser du bord avant et arrière de l'appareil de cuisson.
- Le conduit au plafond doit être centré sur la table de cuisson.



Structure de soutien au plafond

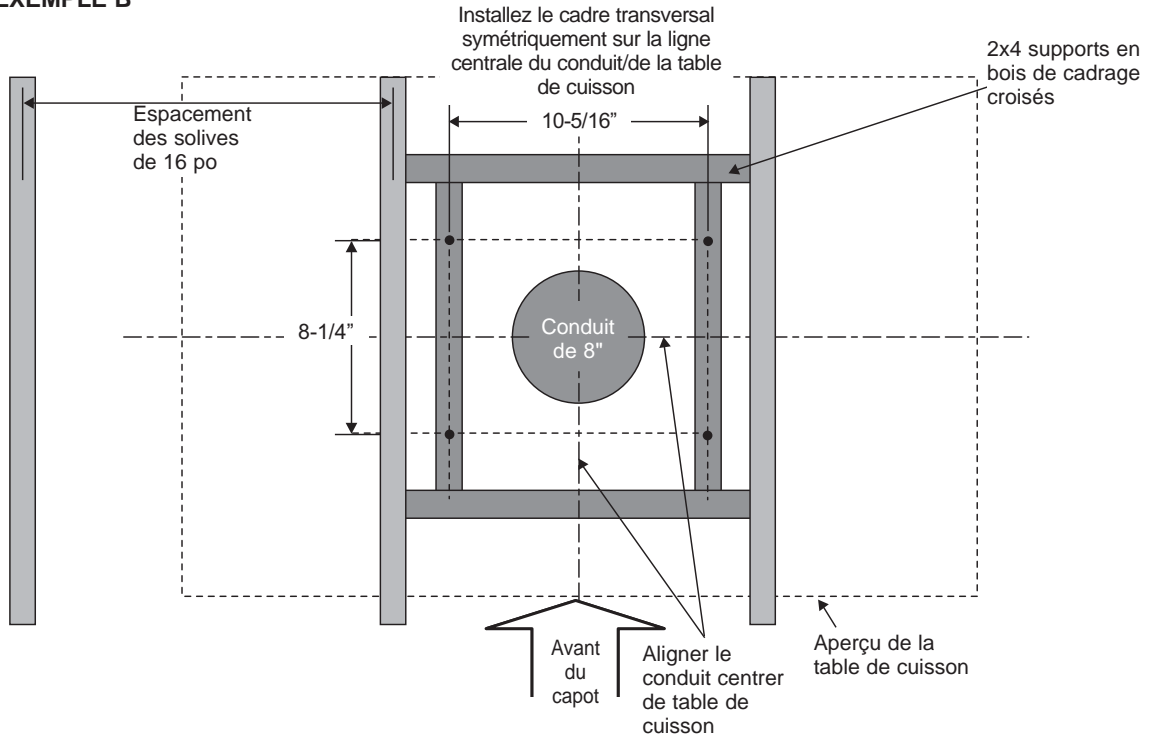
- À l'emplacement de la hotte, installez une charpente transversale entre les solives de plafond comme illustré. (2x4 supports en bois sont nécessaires pour supporter le poids de la hotte.)
- Disposez une charpente transversale dans le plafond en fonction de la structure existante.
- Vos solives de plafond ressembleront à l'un des exemples suivants.



Préparation de l'installation

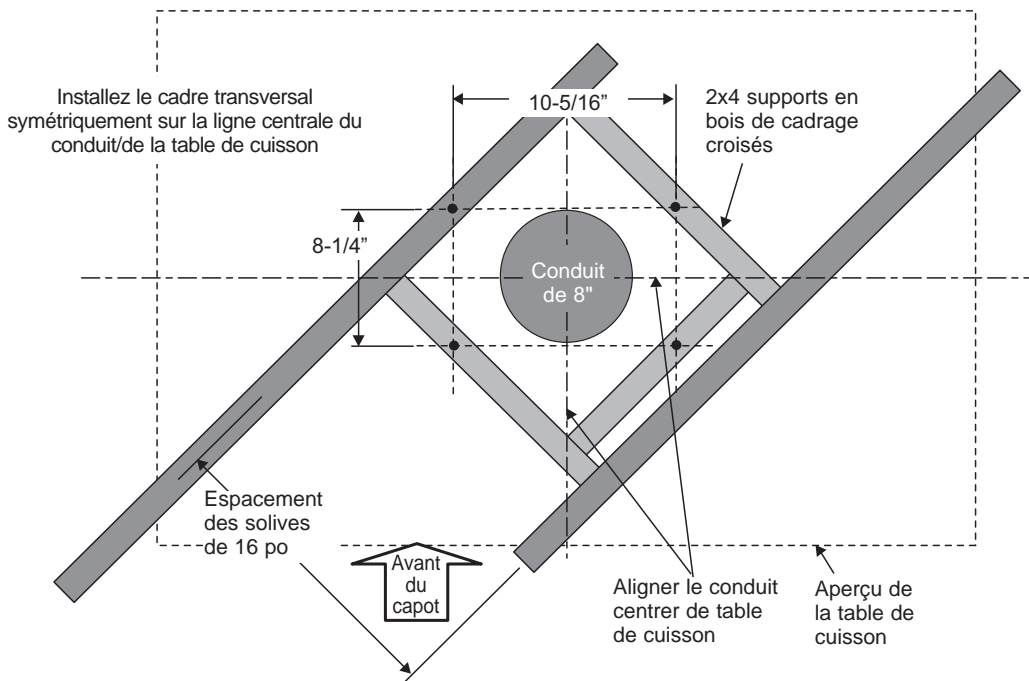
CONSTRUIRE UN SUPPORT DE PLAFOND (suite)

EXEMPLE B



Vue de dessus – solives de plafond à angle par rapport à l'avant de la hotte

EXEMPLE C



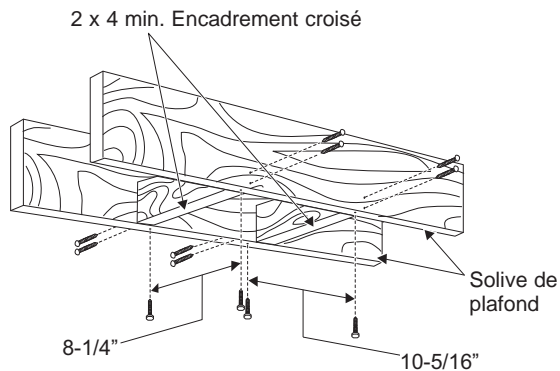
Vue de dessus – solives de plafond à angle par rapport à l'avant de la hotte

Préparation de l'installation

CONSTRUIRE UN SUPPORT DE PLAFOND (suite)

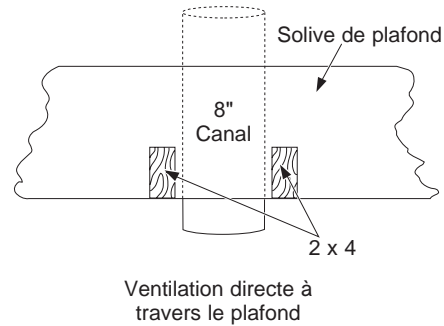
- Fixez chaque bloc 2 x 4 avec au moins quatre (4) vis à bois n° 10 de 3 po de long (non fournies). Utilisez 8 vis à bois au total pour les deux supports.
- Le cadre transversal doit être aligné avec précision pour assurer un positionnement correct de la hotte.
- L'ossature transversale doit être de niveau dans toutes les directions. Vérifiez avec un niveau à bulle et ajustez si nécessaire.

IMPORTANT : La structure du plafond doit être capable de supporter le poids de la hotte (environ 200 livres) et toute charge accidentelle de contact avec l'utilisateur. Le cadre de support de la hotte sera supporté par le Encadrement croisé 2 x 4.



Conduits pour installations ventilées vers l'extérieur

- Utilisez le cheminement de conduit le plus court et le plus droit pour des performances satisfaisantes.
- Cette hotte doit utiliser un conduit rigide rond de 8 po.
- Installez les conduits de la maison pour qu'ils passent horizontalement entre les solives du plafond ou vers le haut à travers Le toit.



Finir le plafond

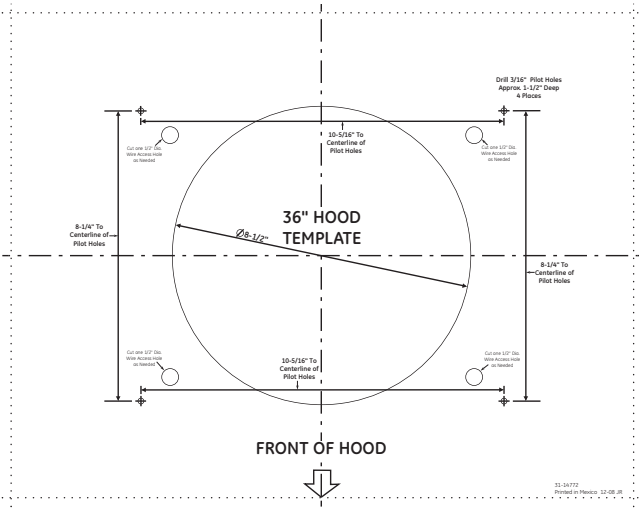
- Finissez la surface du plafond. Assurez-vous de marquer l'emplacement des solives de plafond et de la charpente transversale. Assurez-vous que le plafond est de niveau ; utiliser des cales si nécessaire.

Installation Instructions

INSTALLATION - VENTILATION À L'EXTÉRIEUR

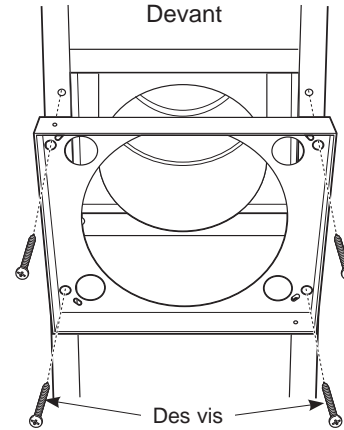
ÉTAPE 1 : MONTER LE MODÈLE

- Alignez le gabarit avec les marques sur le plafond et le ruban adhésif en place.
 - Assurez-vous que le gabarit est correctement orienté avec l'avant de la hotte.
- Utilisez un fil à plomb pour vous assurer que les trous de montage fournira un alignement parallèle avec le comptoir en dessous.
- Déterminez l'emplacement du trou d'accès aux câbles.
- Centrez toutes les vis et les emplacements des trous de fil déterminés.
- Percez des avant-trous dans les 4 emplacements de vis. Utilisez un foret de 3/16 po et percez à environ 1 1/2 po de profondeur.
- Percez un trou de 1/2 po pour les fils.
- Couper l'ouverture du conduit de 8-1/2 po à travers le plafond.



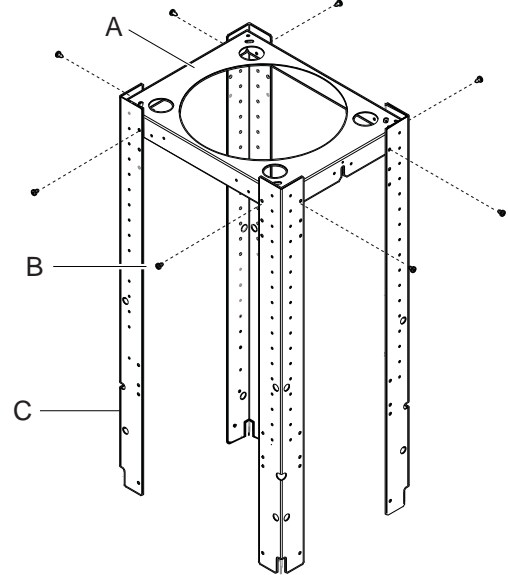
ÉTAPE 2 : INSTALLER LE SUPPORT DE PLAFOND

- À l'aide des 4 vis à bois fournies, fixez le support de plafond au plafond par-dessus le trou d'ouverture du conduit à l'aide des avant-trous percés à l'étape 1.



ÉTAPE 3 : INSTALLER LES SUPPORTS HORIZONTAUX INFÉRIEURS À L'ASSEMBLAGE DE LA HOTTE

- Installez le support horizontal inférieur sur 4 supports verticaux inférieurs avec des vis 8 - 4,2x8 mm.

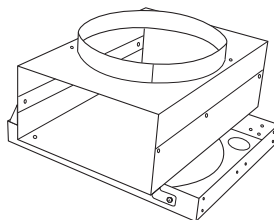


- A. Support horizontal inférieur
- B. 8 - Vis 4,2x8 mm
- C. 4 - Supports verticaux inférieurs

REMARQUE : Uniquement pour la version à recirculation, déflecteur d'air non inclus.

INSTALLER LE DÉFLECTEUR D'AIR DANS LE SUPPORT DE PLAFOND

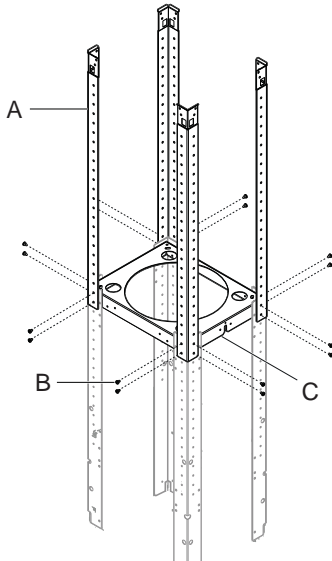
- Poser le support de plafond sur une surface ferme.
- Positionnez le déflecteur d'air sur le support de plafond, l'ouverture du conduit vers le haut et l'un des côtés ouverts vers ce qui sera l'avant de la hotte. Les languettes du déflecteur seront à l'extérieur du support de plafond.
- À l'aide des 2 vis fournies, fixez les languettes du déflecteur au support de plafond.



Installation Instructions

INSTALLATION - VENTILATION À L'EXTÉRIEUR (suite)

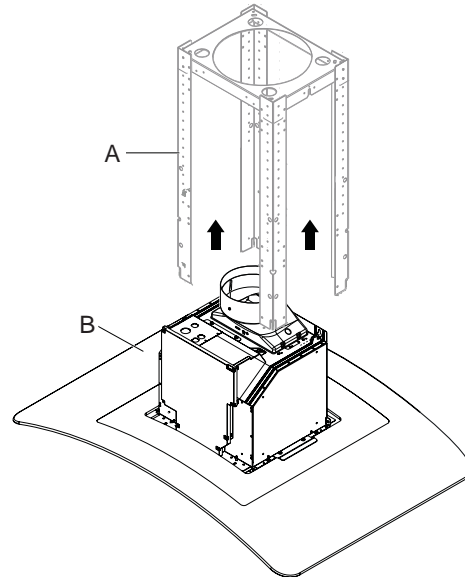
ÉTAPE 4 : INSTALLER LES SUPPORTS VERTICAUX SUPÉRIEURS À L'ASSEMBLAGE DE LA HOTTE



- Fixez 4 supports verticaux supérieurs au support horizontal inférieur avec des vis 16 - 4,2x8 mm.
- A. 4 - Supports verticaux supérieurs
B. 16 - Vis 4,2x8 mm
C. Support horizontal inférieur

ÉTAPE 6 : INSTALLER L'ENSEMBLE DE LA HOTTE SUR LE SUPPORT

- À l'aide de 2 personnes ou plus, soulevez l'assemblage de la hotte sous la structure.

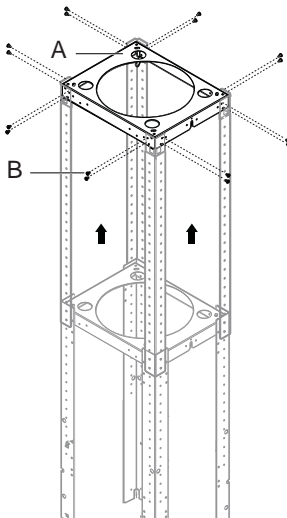


- A. Supports verticaux inférieurs
B. Assemblage de la hotte

ÉTAPE 5 : INSTALLER SUR LE SUPPORT SUPÉRIEUR

- Fixez la structure au support horizontal supérieur avec des vis de 16 - 4,2 x 8 mm.

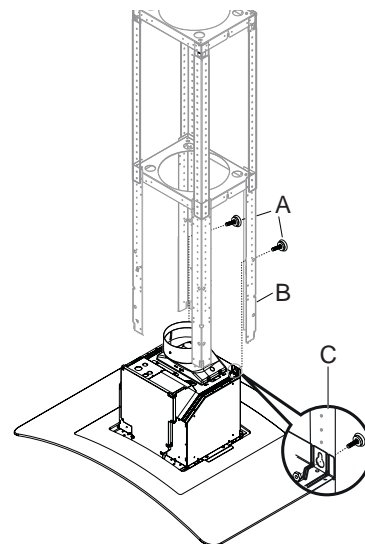
REMARQUE : Fixez la structure au support horizontal supérieur précédemment installé.



- A. Support horizontal supérieur
B. 16 - Vis 4,2x8 mm

ÉTAPE 7 : INSTALLER SUR LE SUPPORT INFÉRIEUR

- Fixez l'assemblage de la hotte aux supports verticaux inférieurs avec 2 vis de nivellement et 2 écrous.



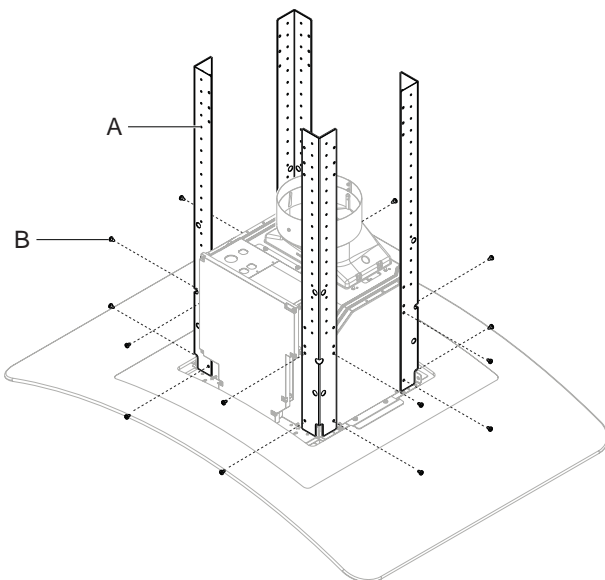
- A. 2 - Vis de nivellement
B. Support vertical inférieur
C. Placer les vis de nivellement à travers la structure

Installation Instructions

INSTALLATION - VENTILATION À L'EXTÉRIEUR (suite)

ÉTAPE 8 : INSTALLER LES SUPPORTS VERTICAUX

- Installez les 4 supports verticaux avec des vis 16 - 4,2x8 mm. Assurez-vous que toutes les vis sont bien serrées.



A. 4 - Supports verticaux inférieurs
B. 16 - Vis 4,2x8 mm

ÉTAPE 9 : RACCORDEMENT ÉLECTRIQUE

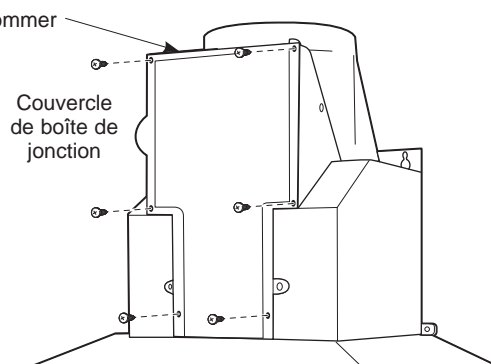
Vérifiez que l'alimentation est coupée à la source.

⚠ WARNING

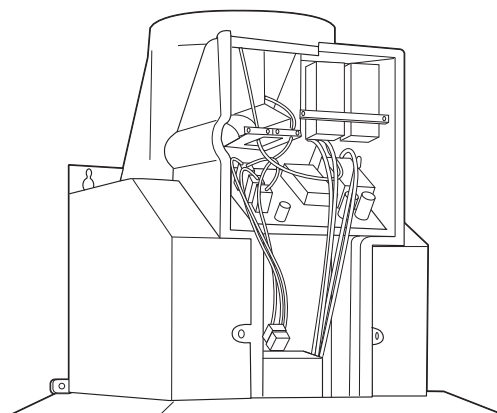
Si le câblage de la maison n'est pas à 2 fils avec un fil de terre, une terre doit être fournie par l'installateur. Lorsque le câblage de la maison est en aluminium, assurez-vous d'utiliser U.L. composé anti-oxydant approuvé et connecteurs aluminium-cuivre.

- Retirez les 6 vis sur le couvercle de la boîte de jonction et la découpe sur le côté supérieur gauche.

Assommer



- Fixez le câblage de la maison à la boîte de jonction à l'aide d'un serre-câble (non fourni).

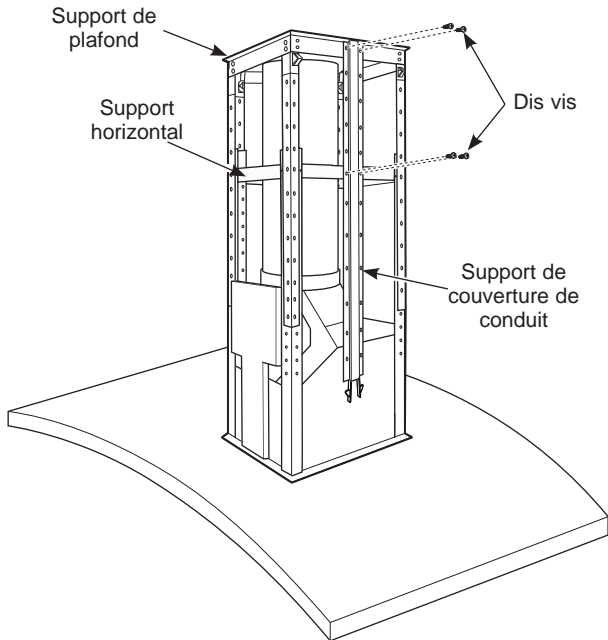


- Connectez le fil blanc au fil blanc du circuit de dérivation.
- Connectez le fil noir au fil noir du circuit de dérivation.
- Connectez le fil vert/jaune au fil vert du circuit de dérivation ou au fil de terre nu.
- Fixez toutes les connexions avec des serre-fils sur chaque connecteur électrique.
- Poussez les fils dans la boîte de jonction et remplacez le couvercle. Assurez-vous que les fils ne sont pas pincés.
- Fixez le couvercle de la boîte de jonction avec les 6 vis d'origine.

INSTALLATION - VENTILATION À L'EXTÉRIEUR (suite)

ÉTAPE 10 : INSTALLER LES SUPPORTS DE COUVERCLE DE CONDUIT

- Fixez les supports de couvercle de conduit aux côtés des supports horizontaux et de plafond à l'aide de 4 vis par support de couvercle de conduit.

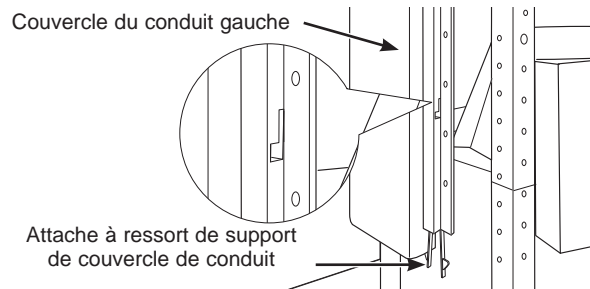


ÉTAPE 11 : INSTALLER LES COUVERCLES DE CONDUITS

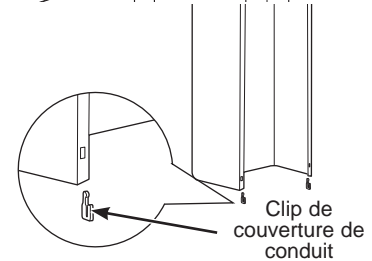
IMPORTANT: Deux personnes sont nécessaires pour installer les couvercles de conduit.

REMARQUE : Si vous installez cette hotte pour un fonctionnement de recirculation, placez les couvercles de conduit sur la hotte avec les fentes d'aération vers le haut. Si la hotte est ventilée vers l'extérieur, les trous doivent être positionnés en bas.

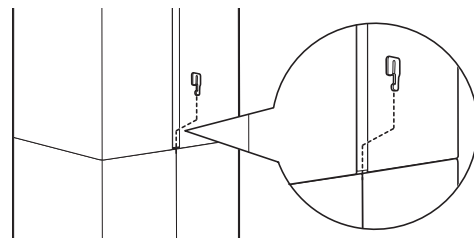
- Retirez le film protecteur de tous les couvercles de conduit.
- Placez un couvercle de conduit supérieur sur l'arrière de l'ensemble de support. Les languettes sur les bords du cache-conduit glissent dans une encoche sur le support du cache-conduit. Lorsque les 6 languettes du cache-conduit se trouvent dans les encoches des deux supports de cache-conduit, faites glisser le cache-conduit vers le haut pour qu'il repose sur l'attache à ressort du support de cache-conduit.



- Placez une attache de cache-conduit sur le bas du cache-conduit inférieur arrière pour verrouiller l'attache en place. Répétez de l'autre côté.



- Abaissez le couvercle du conduit dans le renforcement de la hotte, en prenant soin de maintenir le clip en place tout en abaissant le couvercle du conduit sur l'assemblage de la hotte.
- Placez le cache-conduit inférieur avant dans le renforcement de la hotte en le verrouillant sur l'attache du cache-conduit sur le cache arrière.
- Placez une attache de couvercle de conduit en haut de chaque côté où les couvercles de conduit avant et arrière se rejoignent. Cela maintiendra les couvercles arrière et avant ensemble.

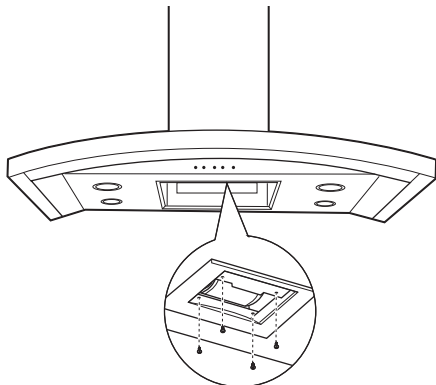


Installation Instructions

INSTALLATION - VENTILATION À L'EXTÉRIEUR (suite)

ÉTAPE 11 : INSTALLER LES COUVERCLES DE CONDUITS (suite)

- À l'aide des vis fournies, fixez les couvercles inférieurs des conduits à l'assemblage de la hotte à partir du dessous de la hotte.

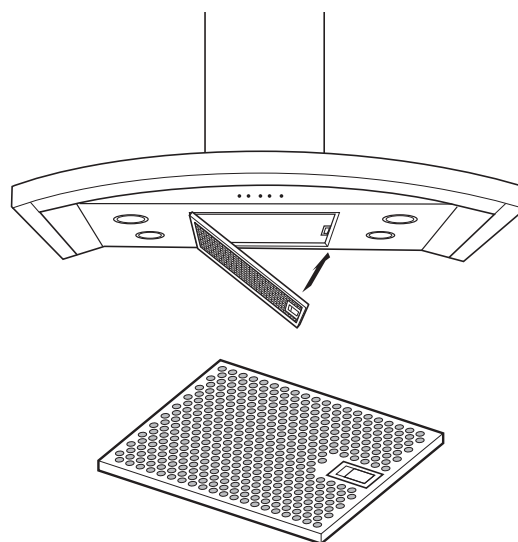


ÉTAPE 12 : INSTALLER LE FILTRE À GRAISSE EN MÉTAL

- Retirez le film protecteur du filtre à graisse.

REMARQUE : Le filtre à charbon n'est pas nécessaire pour cette installation.

- Insérez les languettes à l'extrémité du filtre dans les fentes du côté gauche de l'ouverture du filtre. Soulevez le côté droit du filtre et poussez doucement jusqu'à ce que le filtre se verrouille en place. Assurez-vous que le verrou du filtre est en position fermée pour fixer le filtre.
- Pour retirer le filtre, tirez vers le bas sur le verrou du filtre pour le libérer.

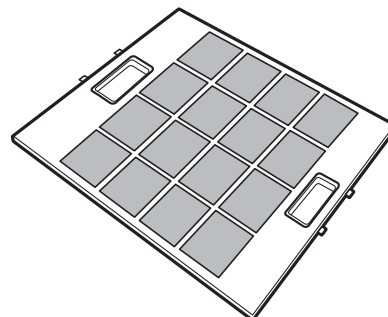


REMARQUE : Uniquement pour la version à recirculation, déflecteur d'air non inclus.

INSTALLER LE FILTRE

Filter à charbon

Insérez le filtre à charbon dans l'ouverture. Poussez le loquet des deux côtés vers le centre et engagez la bride.



Trucs de dépannage ... Avant d'appeler le service à la clientèle

Gagnez du temps et économisez de l'argent! Examinez d'abord les tableaux des pages suivantes, vous pourriez vous éviter un appel de service.

Problème	Cause possible	Que faire?
Le ventilateur ou la lampe ne fonctionnent pas lorsque le bouton est à ON (marche)	Un fusible de la maison est grillé ou le disjoncteur est déclenché.	Remplacez le fusible ou réenclenchez le disjoncteur.
Le ventilateur ne fonctionne pas lorsque les boutons « + » ou « - » ou le bouton MEMORY/OFF du ventilateur sont enfoncés	Le connecteur du ventilateur est desserré ou non branché dans sa connexion correspondante.	Coupez l'alimentation électrique de l'appareil. Retirez les filtres et examinez le ventilateur. Si la fiche du connecteur du ventilateur est desserrée ou si le connecteur pend, l'installateur n'a pas réussi à la brancher correctement. Reportez-vous aux instructions d'installation pour connaître l'emplacement de la fiche et la façon de brancher le connecteur.
Bruit de circulation d'air fort ou anormal	Installation d'un conduit de diamètre inapproprié.	Cette hotte nécessite un conduit de 8 po pour fonctionner d'une façon optimale. L'utilisation d'un conduit de plus petit diamètre réduira la ventilation. Minimisez la longueur de conduit et le nombre des transitions et des coudes. Les techniciens de service de GE Appliances ne peuvent pas corriger ce problème si l'installation est incorrecte.
Le ventilateur échoue à faire circuler l'air ou la déplace trop lentement et/ou il fait un bruit de circulation d'air fort ou anormal	Obstructions dans le conduit.	Assurez-vous que rien ne bloque la ventilation. Assurez-vous que votre chapeau de mur ou de toit est doté d'une lame ou d'une trappe.
	Il se peut qu'une lame de registre sur le chapeau de mur ou de toit ne s'ouvre pas.	Assurez-vous que le registre pivote librement. Les lames de registre peuvent se retourner et ne plus s'ouvrir pleinement lorsque cela se produit. Placez la lame à sa position d'origine.
	Le filtre à graisse métallique et le filtre à charbon (si présent) peuvent être sales.	Nettoyez le filtre à graisse métallique et le filtre à charbon (si présent). Voyez la section Entretien et nettoyage de la hotte à évacuation.
	Air d'appoint (de renouvellement) insuffisant	Un air d'appoint suffisant est nécessaire pour que les électroménagers de cuisson puissent fonctionner selon les spécifications. Consultez les codes de construction locaux qui peuvent exiger ou fortement recommander l'utilisation d'air d'appoint. Visitez electromenagersge.ca pour les solutions offertes en matière d'air d'appoint.
The hood controls are not operating correctly	Control logic confused.	Disconnect power to the hood by resetting the circuit breaker. Wait 30 seconds to allow controls to reset.
Hood does not appear to operate when the MEMORY/OFF button is pressed. All collars around the push buttons are illuminated.	The memory feature of this hood has not been set. This is normal.	Follow procedures for setting the MEMORY/OFF button. Adjust the Fan and Light settings to your preference.
Fan turned on by itself and is in MED setting. The fan setting can be adjusted but not to OFF.	The heat sensor is activated.	This is normal when temperatures below the hood are exceeding the heat sensor limits. Remove the heat source under the hood or wait until the hood cools to appropriate levels. The hood will automatically turn itself off or return to its original setting once the heat sensor detects the temperature has reached a safe condition.
A collar around a push button is not illuminating when pressed.	Push button may be stuck.	Check affected push button and ensure that it is not stuck. Call for service if problem persists.
Two or more collars around the push buttons are not illuminating when pressed.	Two or more push buttons may be stuck.	Check affected push buttons and ensure that they are not stuck. Call for service if problem persists.
Sequential presses of the LIGHT or FAN buttons will change the setting from lowest setting to OFF, to highest setting, to OFF, to the lowest setting.	This is normal. It is a feature of the hood that the LIGHT and FAN buttons will cycle around through the settings so that you can easily set the controls to your desired setting.	No action required.

Notes

Garantie limitée de la hotte de cuisinière ventilée GE Appliances

GARANTIE LIMITÉE

GEAppliances.com

Tout entretien ou réparation en vertu de la garantie est fourni par nos Centres d'entretien et de réparation de l'usine ou par un technicien autorisé de Customer Care®. Pour fixer un rendez-vous en ligne, consultez notre site electromenagersge.ca/fr/soutien/demande-de-service, ou téléphonez GE Appliances à 800.GE.CARES (800.432.2737). Veuillez avoir vos numéros de série et de modèle à portée de main lors de l'appel.

L'entretien de votre appareil pourrait nécessiter l'utilisation d'un accès aux données embarquées pour le diagnostic. Cela permet au technicien de l'atelier de réparation GE Appliances de diagnostiquer rapidement toute défaillance de votre électroménager et à GE Appliances d'améliorer la qualité de ses produits. Si vous ne souhaitez pas transmettre les données de votre appareil à GE Appliances, veuillez aviser votre technicien de s'en abstenir au moment de la visite de service.

Durant une période de	GE Appliances remplacera
Un an depuis la date d'achat d'origine	Toute pièce du produit de cuisson défectueuse en raison d'un vice de matière ou de main-d'œuvre. Durant cette garantie limitée d'un an , GE Appliances assumera tous les frais de main-d'œuvre et de service à domicile afférents au remplacement de la pièce défectueuse.

Ce que GE Appliances ne garantit pas :

- L'envoi d'un technicien chez vous pour vous montrer comment utiliser le produit.
- Une installation, une livraison ou un entretien inadéquats.
- Une panne du produit suite à une utilisation abusive ou inadéquate, une modification, un usage autre que celui auquel il a été destiné ou un usage commercial.
- Le remplacement des fusibles de votre résidence ou le réenclenchement des disjoncteurs.
- Les dommages au produit causés par un accident, un incendie, une inondation ou une catastrophe naturelle.
- Les dommages au fini, tels que rouille de surface, ternissement ou petites imperfections qui ne sont pas rapportés dans les 48 heures suivant la livraison.
- Les dommages indirects ou accidentels causés par des défaillances possibles de cet appareil.
- Les dommages survenus après la livraison.
- Le service s'il est impossible d'avoir accès au produit.
- Le service pour réparer ou remplacer les ampoules, à l'exception des lampes DEL.

EXCLUSION DES GARANTIES IMPLICITES

Votre seul et unique recours est la réparation du produit selon les dispositions de la présente garantie limitée. Toutes garanties implicites, y compris les garanties implicites de qualité marchande et d'adéquation à un usage spécifique, sont limitées à un an ou à la plus courte période permise par la loi.

Cette garantie limitée est offerte à l'acheteur initial et à tout propriétaire subséquent d'un produit acheté pour usage domestique aux États-Unis. Si le produit est situé dans une localité où un réparateur autorisé GE Appliances n'est pas disponible, vous pourriez encourir des frais de déplacement ou devoir acheminer le produit à un réparateur autorisé GE Appliances pour faire réparer l'appareil. En Alaska, la garantie limitée exclut les frais d'expédition et les visites de service à votre domicile. Certains États ou provinces ne permettent pas l'exclusion ou la restriction des dommages accessoires ou indirects. Cette garantie limitée vous accorde des droits particuliers, ces derniers pouvant s'accompagner d'autres droits qui varient d'un État ou d'une province à l'autre. Pour connaître la nature exacte de vos droits, consultez l'organisme de protection du consommateur de votre région, ou encore le bureau du procureur général de l'État.

Au Canada : Cette garantie est offerte à l'acheteur initial, ainsi qu'à tout propriétaire subséquent d'un produit acheté au Canada en vue d'une utilisation domestique au Canada. Si le produit se situe dans une zone où aucun réparateur agréé par GE n'est disponible, vous devrez peut-être assumer les frais de déplacement de celui-ci ou apporter le produit à un atelier de réparation agréé par GE. Si vous avez besoin de pièces de rechange, nous vous recommandons de n'utiliser que des pièces d'origine spécifiées de GE. Ces pièces ont été conçues pour fonctionner avec votre appareil et ont été fabriquées et testées afin de répondre aux spécifications de GE. Dans certains États ou province, il est interdit d'exclure ou de limiter les dommages indirects ou accessoires. Il est alors possible que les limitations ou exclusions ci-dessus ne s'appliquent pas dans votre cas. La présente garantie vous confère des droits juridiques spécifiques. Vous pouvez bénéficier d'autres droits, qui varient d'un État ou d'une province à l'autre. Pour connaître les droits dont vous bénéficiez, communiquez avec le bureau des Relations avec les consommateurs de votre région ou de votre province..

Garante : GE Appliances, a Haier company
Louisville, KY 40225

Prolongation de garantie : Achetez un contrat d'entretien GE Appliances et informez-vous des rabais spéciaux en vigueur pendant toute la durée de votre garantie. Vous pouvez vous le procurer en tout temps sur

GEAppliances.com/extended-warranty

ou en composant le 800.626.2224 durant les heures normales de bureau. Le service après-vente GE Appliances sera toujours disponible après l'expiration de votre garantie.

Soutien au consommateur

Site Web de GE Appliances

Vous avez une question ou vous avez besoin d'aide pour votre appareil électroménager? Visitez le site Web de GE Appliances 24 heures par jour, tous les jours de l'année! Vous pouvez aussi y trouver d'autres formidables produits GE Appliances et tirer avantage de tous nos services d'assistance en ligne. Aux États-Unis : **GEAppliances.com**
Au Canada : **electromenagersge.ca**

Enregistrez votre électroménager

Enregistrez votre nouvel appareil en ligne au moment qui vous convient le mieux! L'enregistrement de votre produit dans les délais prescrits permet une meilleure communication et un service rapide, selon les modalités de votre garantie, si besoin est. Vous pouvez également envoyer par courrier la carte d'enregistrement pré-imprimée qui se trouve dans l'emballage de votre appareil.

Aux États-Unis : **GEAppliances.com/register**

Au Canada : **Prodsupport.mabe.ca/crm/Products/ProductRegistration.aspx**

Service de réparation

Un service de réparation expert GE Appliances se trouve à quelques pas de chez vous. Rendez-vous sur notre site et programmez, à votre convenance, une visite de réparation à n'importe quel jour de l'année.

Aux États-Unis : **GEAppliances.com/service** ou composez le 800.432.2737 durant les heures normales de bureau.

Au Canada : **GEAppliances.ca/en/support/service-request** ou composez le 800.561.3344

Prolongation de garantie

Procurez-vous une prolongation de garantie GE Appliances et informez-vous des rabais spéciaux en vigueur pendant la durée de votre garantie. Vous pouvez vous la procurer en ligne en tout temps. Les services GE Appliances seront toujours disponibles après l'expiration de la garantie. Aux États-Unis : **GEAppliances.com/extended-warranty** ou composez le 800.626.2224 durant les heures normales de bureau.

Au Canada : **electromenagersge.ca/fr/soutien/achat-d-une-garantie-prolongee** ou composez le 866.277.9842

Pièces et accessoires

Les personnes ayant les compétences requises pour réparer elles-mêmes leurs appareils peuvent recevoir directement à la maison des pièces ou accessoires (les cartes VISA, MasterCard et Discover sont acceptées). Commandez en ligne 24 heures par jour.

Aux États-Unis : **GEApplianceparts.com** ou par téléphone au 877.959.8688 durant les heures normales de bureau.

Les instructions contenues dans le présent manuel comportent des procédures que tout utilisateur peut effectuer. Les autres types de réparation doivent généralement être confiés à un technicien qualifié. Utilisez de prudence : une réparation ou un entretien mal effectués peuvent rendre l'utilisation de l'appareil dangereuse.

Les consommateurs au Canada doivent consulter les pages jaunes pour connaître le centre de service Mabe le plus proche, visiter notre site Web au **Electromenagersge.ca/fr/produits/filtres-et-accessoires** ou composer le 1.800.661.1616.

Communiquez avec nous

Si vous n'êtes pas satisfait du service après-vente de GE Appliances, communiquez avec nous depuis notre site Web en fournissant tous les détails dont votre numéro de téléphone, ou écrivez à :

Aux États-Unis : General Manager, Customer Relations | GE Appliances, Appliance Park | Louisville, KY 40225
GEAppliances.com/contact

Au Canada : Director, Consumer Relations, Mabe Canada Inc. | Suite 310, 1 Factory Lane | Moncton, N.B. E1C 9M3
Electromenagersge.ca/fr/contactez-nous



CAMPANAS DE VENTILACIÓN DE CHIMENEA PARA ISLA

INSTRUCCIONES DE SEGURIDAD 3

USO DE LA CAMPANA
 Controles de la luz 5
 Controles de la ventilación 5

CUIDADO Y LIMPIEZA
 Filtro de grasa metálico 6
 Filtro de carbón 6
 Superficies de acero inoxidable 7
 Luces LED 7

INSTRUCCIONES DE INSTALACIÓN 8
 Preparación para la instalación 9
 Ventilación hacia el exterior16

SOLUCIONAR PROBLEMAS 22

GARANTÍA LIMITADA 23

SERVICIO AL CONSUMIDOR 24

MANUAL DEL PROPIETARIO Y
INSTALACIÓN

UVI7361

Escriba los números de modelo y de serie aquí:

Nº de Modelo _____

Nº de Serie _____

Usted puede encontrarlos en una etiqueta ubicada en la parte interna de la campana.

GRACIAS POR HACER QUE GE APPLIANCES SEA PARTE DE SU HOGAR.

Ya sea que haya crecido usando GE Appliances, o que ésta es su primera vez, nos complace tenerlo en la familia.

Sentimos orgullo por el nivel de arte, innovación y diseño de cada uno de los electrodomésticos de GE Appliances, y creemos que usted también. Entre otras cosas, el registro de su electrodoméstico asegura que podamos entregarle información importante del producto y detalles de la garantía cuando los necesite.

Registre su electrodoméstico GE ahora a través de Internet. Sitios Web y números telefónicos útiles están disponibles en la sección de Soporte para el Consumidor de este Manual del Propietario.

También puede enviar una carta en la tarjeta de inscripción preimpresa que se incluye con el material embalado.



GE APPLIANCES

INFORMACIÓN IMPORTANTE DE SEGURIDAD

LEA TODAS LAS INSTRUCCIONES ANTES DE USAR

⚠ADVERTENCIA PARA REDUCIR EL RIESGO DE INCENDIO, DESCARGA ELÉCTRICA O LESIONES A PERSONAS, CUMPLA CON LOS SIGUIENTES PUNTOS:

- A. Utilice esta unidad sólo de la manera concebida por el fabricante. Si tiene alguna pregunta, comuníquese con el fabricante.
- B. Antes de realizar reparaciones o limpiar la unidad, desconecte la energía del panel de servicio y bloquee los medios de desconexión para evitar el accionamiento de la energía de manera accidental. Cuando los medios de desconexión de servicio no pueden bloquearse, coloque sobre el panel de servicio un dispositivo de advertencia bien visible, como una etiqueta.
- C. No utilice esta unidad con ningún dispositivo de control de velocidad de estado sólido.
- D. Esta unidad debe estar conectada a tierra.

⚠PRECAUCIÓN Sólo para uso de ventilación general. No lo utilice para eliminar materiales y vapores peligrosos o explosivos.

⚠PRECAUCIÓN A fin de reducir riesgos de incendios y para que el aire salga de forma apropiada, asegúrese de que el aire sea conducido hacia fuera. No ventile el aire de la salida hacia espacios dentro de paredes o cielorrasos o áticos, espacios muy bajos o garajes.

⚠ADVERTENCIA PARA REDUCIR EL RIESGO DE LESIONES A PERSONAS EN CASO DE UN INCENDIO DE GRASA SOBRE UNA ESTUFA, CUMPLA CON LOS SIGUIENTES PUNTOS*:

- A. APAGUE LAS LLAMAS con una tapa que ajuste bien, una plancha para galletas o una bandeja de metal, y luego apague el quemador. TENGA MUCHO CUIDADO A FIN DE EVITAR QUEMADURAS. Si las llamas no se apagan de inmediato, SALGA DE LA VIVIENDA Y LLAME AL DEPARTAMENTO DE BOMBEROS.
- B. NUNCA LEVANTE UNA SARTÉN EN LLAMAS—Usted puede quemarse.
- C. NO UTILICE AGUA, incluyendo repasadores o toallas húmedos—se provocará una violenta explosión de vapor.
- D. Utilice un extintor SÓLO si:
 - 1. Usted sabe que cuenta con un extintor Clase ABC y ya sabe cómo utilizarlo.
 - 2. El incendio es pequeño y se contuvo en el área donde comenzó.
 - 3. Se está llamando al departamento de bomberos.
 - 4. Usted puede combatir el incendio con su espalda dirigida hacia una salida.

*Basado en "Kitchen Fire Safety" publicado por NFPA.

LEA Y GUARDE ESTAS INSTRUCCIONES

INFORMACIÓN IMPORTANTE DE SEGURIDAD LEA TODAS LAS INSTRUCCIONES ANTES DE USAR

⚠️ ADVERTENCIA PARA REDUCIR EL RIESGO DE UN INCENDIO DE GRASA SOBRE UNA ESTUFA:

- A. Nunca deje unidades de superficie desatendidas en configuraciones de calor elevadas. Los alimentos que hierven y se derraman provocan humo y derrames grasosos que pueden prenderse fuego. Caliente los aceites lentamente en configuraciones bajas o medias.
- B. Siempre encienda (ON) la campana cuando cocine con configuraciones elevadas o cuando flambee alimentos (por ej., Crepes Suzette, cerezas Jubilee, carne flambeada a la pimienta en grano).
- C. Limpie los ventiladores con frecuencia. No debe permitirse la acumulación de grasa en el ventilador o en el filtro.
- D. Utilice el tamaño de recipiente adecuado. Siempre utilice recipientes de cocción apropiados para el tamaño del elemento de superficie.

⚠️ ADVERTENCIA PARA REDUCIR EL RIESGO DE INCENDIO, DESCARGA ELÉCTRICA O LESIONES A PERSONAS, CUMPLA CON LOS SIGUIENTES PUNTOS:

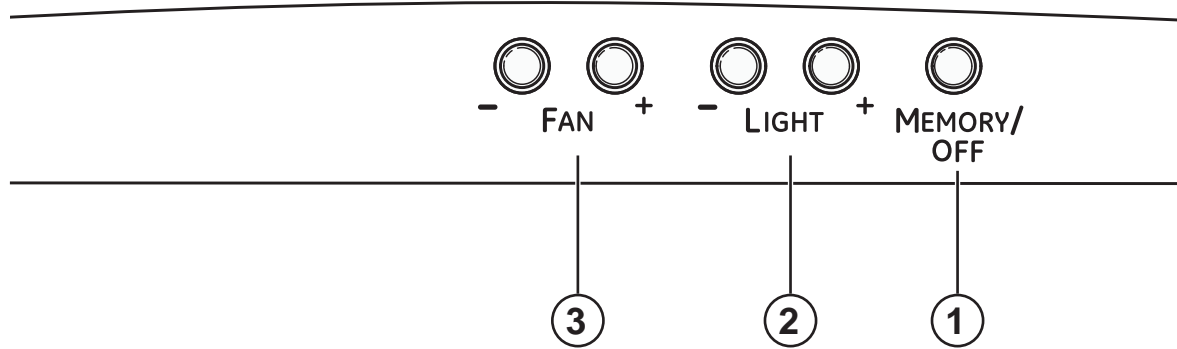
- A. El trabajo de instalación y el cableado eléctrico deben realizarlo personas calificadas en cumplimiento con todos los códigos y normas aplicables, incluyendo construcción con clasificación para incendios.

- B. Se necesita suficiente aire para una combustión y escape de gases adecuados a través de la ventilación (chimenea) de equipamiento de combustión de combustible para evitar la contracorriente. Siga las pautas y normas de seguridad de fabricante del equipamiento de calefacción, tales como las publicadas por la Asociación Nacional de Protección contra Incendios (NFPA), la Sociedad Estadounidense de Ingenieros en Calefacción, Refrigeración y Aire Acondicionado (ASHRAE) y las autoridades de códigos locales. Cuando corresponda, instale un sistema de reposición (reemplazo) de aire de acuerdo con los requisitos del código local de construcción. Para acceder a soluciones de aire disponibles, visite GEAppliances.com.
- C. Cuando realice cortes o perforaciones dentro de paredes o cielorrasos, no dañe el cableado eléctrico y otros servicios públicos ocultos.
- D. Los sistemas de conductos siempre deben contar con una salida al exterior.
- F. Desconecte el disyuntor de habitaciones adyacentes mientras esté trabajando.

⚠️ ADVERTENCIA PARA REDUCIR EL RIESGO DE INCENDIO, SÓLO UTILICE CONDUCTOS DE METAL.

- No intente reparar o cambiar ninguna pieza de su campana a menos que esté específicamente recomendado en este manual. Cualquier otro servicio debe realizarlo un técnico calificado.

READ AND SAVE THESE INSTRUCTIONS



1. MEMORY/OFF (memoria/apagado)

Para configurar la memoria:

A. Presione el botón **MEMORY/OFF**.

B. Ingrese las configuraciones deseadas de ventilación y de luz.

C. Presione el botón **MEMORY/OFF** de nuevo para guardar estas configuraciones.

Con sus configuraciones deseadas en la memoria, presione el botón **MEMORY/OFF** para restablecer los niveles de ventilación y de luz a sus configuraciones guardadas. Estas configuraciones permanecerán en la memoria hasta que se modifiquen u ocurra un corte de energía.s.

Para apagar la campana, presione el botón **MEMORY/OFF**.

2. **LIGHT (luz):** Presione + o – para subir o bajar el nivel de luz hasta la configuración deseada. Hay dos niveles de luz (LOW [bajo], HIGH [alto]) y OFF (apagado). Si continúa presionando los botones + o –, la luz se desplazará a través de las configuraciones.

3. **AN (ventilador):** Presione + o – para subir o bajar el nivel del ventilador hasta la configuración deseada. Hay 4 niveles de ventilación (LOW, MED [medio], HIGH, BOOST [impulso]) y OFF. Si continúa presionando los botones + o –, el ventilador se desplazará a través de las configuraciones.

NOTA: Puede oírse un pitido cada vez que se presiona un botón. Esto es normal.

NOTA: Los collarines ubicados alrededor de los botones se iluminan cuando se presionan los botones. Esto es normal. Los collarines se apagan en forma automática cuando se apaga la campana.

SENSOR DE CALOR:

Esta campana cuenta con un sensor de calor que enciende el ventilador si se detectan temperaturas excesivas (más de 70 °C/158 °F) sobre la superficie de cocción. La campana volverá a su funcionamiento normal una vez que el sensor de calor detecte temperaturas por debajo de 60 °C/140 °F.

NOTA: Si la campana está OFF o en una velocidad de ventilación LOW, se detectan temperaturas por encima de 70 °C/158 °F; luego el ventilador se ajustará automáticamente a la velocidad MED. Usted puede ajustar la velocidad de ventilación a HIGH o BOOST, pero no podrá ajustar la velocidad del ventilador a LOW o OFF hasta que se detecten temperaturas por debajo de 60 °C/140 °F.

NOTA: Los collarines ubicados alrededor de los botones pueden no iluminarse si se activa el sensor de calor. Esto es normal.

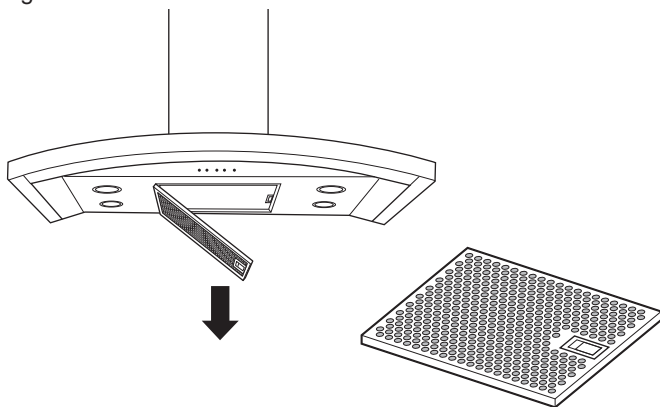
Filtros

Asegúrese de que el disyuntor esté apagado y que todas las superficies estén frías antes de limpiar o de realizar el servicio técnico de cualquier pieza de la campana de ventilación.

Filtro de grasa metálico

El filtro metálico atrapa la grasa liberada por los alimentos desde la estufa. El filtro también ayuda a evitar que las llamas (de los alimentos, grasa) dañen la parte interna de la campana.

Por esta razón, el filtro debe estar SIEMPRE en su lugar cuando la campana esté en funcionamiento. El filtro de grasa es apto para lavavajillas y debe limpiarse cada 6 meses, o según sea necesario.



Para quitar:

Tire hacia abajo la traba del filtro para liberarlo.

Para volver a colocar:

Coloque las lengüetas del extremo del filtro dentro de las ranuras del lado izquierdo de la abertura del filtro. Levante el lado derecho del filtro y presione ligeramente hasta que el filtro se trabe en su lugar. Verifique que la traba del filtro se encuentre en la posición cerrada para asegurar el filtro.

Para limpiar el filtro, utilice agua jabonosa caliente y enjuague con agua limpia o lávelo en el lavavajillas. No utilice productos de limpieza abrasivos.

NOTA: En el lavavajillas se producirá una leve decoloración.

Filtro de carbón

Sólo para instalación con recirculación

Si el modelo no tiene ventilación al exterior, el aire se recirculará a través de un filtro de carbón desechable que ayuda a remover humo y olores.

El filtro de carbón debe cambiarse cuando esté evidentemente sucio o decolorado (usualmente después de 6 a 12 meses, dependiendo del uso de la campana).

NOTA: NO enjuague o coloque el filtro de carbón en el lavavajillas automático.

El filtro de carbón no puede limpiarse. Debe cambiarse.

Solicite el filtro de carbón WB02X11348.

Para consultar sobre la compra de filtros de carbón de repuesto o para encontrar la ubicación del distribuidor más cercano a su domicilio, llame a nuestro número gratuito:

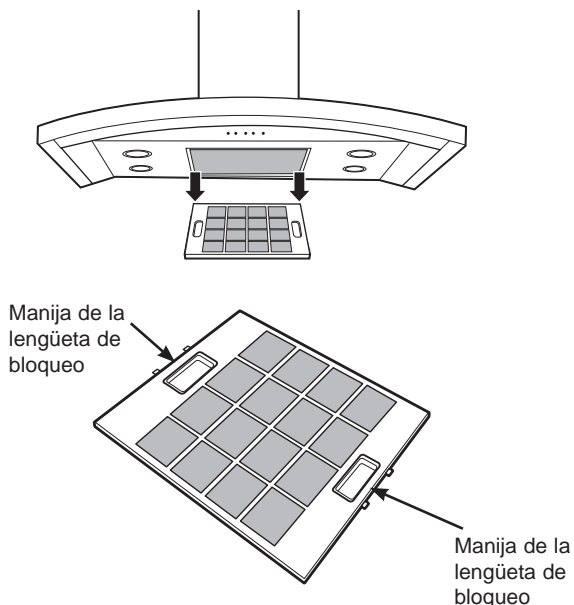
Centro nacional de piezas 800.626.2002

Para quitar:

1. Quite el filtro metálico—ver la sección Filtro de grasa metálico.
2. Quite el filtro de carbón presionando sobre las dos manijas de las lengüetas de bloqueo.

Para volver a colocar:

1. Introduzca el filtro de carbón dentro de la abertura. Presione las manijas de las lengüetas de bloqueo hacia el centro y libérelas para sujetar las lengüetas de bloqueo.
2. Vuelva a colocar el filtro metálico—ver la sección Filtro de grasa metálico.



Cuidado y Limpieza

Superficies de acero inoxidable

No utilice almohadillas de acero porque rayan la superficie.

Para limpiar la superficie de acero inoxidable, utilice agua tibia jabonosa o un limpiador o lustrador de acero inoxidable. Siempre limpie la superficie en dirección de la veta. Siga las instrucciones del producto para limpiar la superficie de acero inoxidable. Los limpiadores con ácido oxálico tales como Bar Keepers Friend Soft Cleanser™ eliminarán el óxido sobre la superficie, deslustres y pequeñas manchas. Para recibir un cupón de \$2.00 para una muestra de Bar Keepers Friend Soft Cleanser™ ingrese al siguiente link o escanee el Código QR.

barkeepersfriend.com/ge



Use sólo un limpiador líquido libre de material abrasivo y frote en la dirección de las líneas del cepillo con una esponja suave y húmeda.

Para consultar sobre la compra de limpiadores o lustradores de aparatos de acero inoxidable, o para encontrar la ubicación del distribuidor más cercano, llame a nuestro número gratuito:

800.626.2002

GEApplianceParts.com

Luces LED

Las luces LED sólo podrán ser reemplazadas por un técnico del servicio. Para acceder a información sobre el contacto del servicio técnico, consulte la sección de Garantía Limitada.

Instrucciones de instalación

Campanas de ventilación de chimenea para isla

¿Preguntas? Llame al 800.GE.CARES (800.432.2737) o visite nuestro sitio Web en: GEAppliances.com

ANTES DE COMENZAR

Lea estas instrucciones por completo y con detenimiento.

- **IMPORTANTE** – Guarde estas instrucciones para el uso de inspectores locales.
- **IMPORTANTE** – Cumpla con todos los códigos y ordenanzas vigentes.
- **Nota al instalador** – Asegúrese de dejar estas instrucciones con el Consumidor.
- **Nota al consumidor** – Conserve estas instrucciones para referencia futura.
- **Nivel de capacidad** – La instalación de esta campana de ventilación requiere capacidades mecánicas y eléctricas básicas.
- **Tiempo de finalización** – Aproximadamente de 4 a 6 horas.
- El instalador tiene la responsabilidad de efectuar una instalación adecuada.
- La Garantía no cubre las fallas del producto debido a una instalación incorrecta.

⚠PRECAUCIÓN

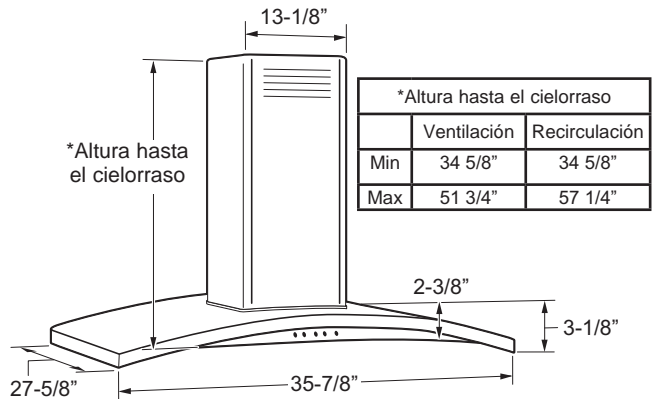
Debido al peso y tamaño de estas campanas de ventilación y para reducir el riesgo de lesiones personales o daños al producto, SE NECESITAN DOS PERSONAS PARA REALIZAR UNA INSTALACIÓN CORRECTA.

PARA SU SEGURIDAD:

⚠ADVERTENCIA

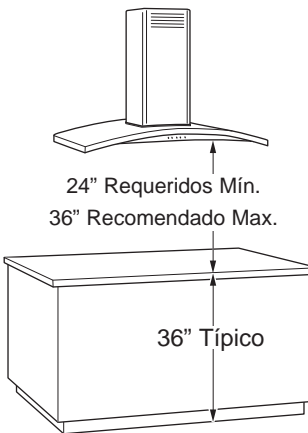
Antes de comenzar la instalación, desconecte la energía del panel de servicio y bloquee los medios de desconexión para evitar el accionamiento de la energía de manera accidental. Cuando los medios de desconexión de servicio no pueden bloquearse, coloque sobre el panel de servicio un dispositivo de advertencia bien visible, como una etiqueta.

DIMENSIONES DEL PRODUCTO



* Para las alturas del cielorraso de las cubiertas del conducto provistas para instalación ventilada e instalación con recirculación, consulte la tabla de la página 12.

ESPACIO DE INSTALACIÓN



Estas campanas de ventilación están diseñadas para ser instaladas en una pared sin gabinetes superiores.

- Instale estas campanas entre el mínimo requerido de 24" y el máximo recomendado de 36" sobre la superficie de cocción.

La campana de ventilación debe ser instalada entre el mínimo requerido de 24" y el máximo recomendado de 36" sobre la superficie de cocción. La altura de instalación de la campana sobre la superficie de cocción depende de la altura del cielorraso y las limitaciones de la cubierta del conducto. La cubierta plegable oculta los conductos que van desde la parte superior de la campana hasta el cielorraso.

NOTA: La altura de instalación debe medirse desde la superficie de cocción hasta la parte más baja de la campana. Esta campana debe ser instalada sobre una pared. Puede contar con ventilación hacia el exterior, o puede ser instalada para un funcionamiento con recirculación. Se incluye un kit de recirculación con la campana.

Preparación para la instalación

PREPARACIÓN PARA INSTALAR LA CAMPANA

PLANIFICACIÓN PREVIA

Planificación para la Instalación con Conducto

- Determine la ubicación exacta de la campana de ventilación.
- Utilice sólo conductos de metal rígidos.
- Planifique el recorrido de la salida de ventilación hacia el exterior. A fin de maximizar el rendimiento de la ventilación del sistema de ventilación:
 1. Minimice la longitud del conducto y el número de transiciones y codos.
 2. Mantenga un tamaño de conducto constante.
 3. Selle todas las juntas con cinta para conductos a fin de evitar pérdidas.
 4. No utilice conductos flexibles de ningún tipo.
- Utilice el recorrido de conductos más corto y más recto posible.
- Instale un casquete de techo con regulador de tiro en la abertura exterior. Solicite por adelantado el casquete y cualquier transición o longitud de conducto necesarios.
- Cuando corresponda, instale un sistema de reposición (reemplazo) de aire de acuerdo con los requisitos del código local de construcción. Para acceder a soluciones de aire disponibles, visite GEAppliances.com.

Armazones de cielorraso para un soporte adecuado

- Estas campanas de ventilación son muy pesadas. Debe contarse con un soporte estructural adecuado. La estructura del cielorraso debe poder soportar el peso de la campana y las cargas de contacto involuntarias ejercidas por el usuario (aproximadamente 200 libras). El armazón de la campana tendrá el soporte de un armazón cruzado de 2 x 4.
- La instalación será más fácil si la campana de ventilación se instala antes de la estufa o si el mostrador de encimera se encuentra instalado.

Cubiertas del conducto

- Todos los modelos se envían con cubiertas del conducto. Para las alturas del cielorraso de las cubiertas del conducto provistas para instalación ventilada e instalación con recirculación, consulte la tabla de la página 12.

SUMINISTRO DE ENERGÍA

IMPORTANTE – (Tenga a bien leer cuidadosamente)

⚠ ADVERTENCIA

PARA SEGURIDAD PERSONAL, ESTE APARATO DEBE CONECTARSE A TIERRA DE MANERA ADECUADA.

Quite el fusible o abra el interruptor de circuitos antes de comenzar la instalación.

No utilice un cable de extensión o un enchufe adaptador con este artefacto. Siga los Códigos Eléctricos Nacionales o códigos y ordenanzas locales vigentes.

Suministro eléctrico

Estas campanas de ventilación deben contar con un suministro de 120V, 60Hz, deben estar conectadas a un circuito derivado individual con una adecuada conexión a tierra y deben contar con la protección de un interruptor de circuitos o un fusible con retraso de 15 o 20 amperios.

- El cableado debe ser de 2 hilos con conexión a tierra.
- Si el suministro eléctrico no cumple con los requisitos anteriores, llame a un electricista con licencia antes de continuar.
- Dirija el cableado doméstico lo más cerca posible a la ubicación de la instalación, en el cielorraso o pared trasera.
- Conecte el cableado al cableado doméstico en cumplimiento con los códigos locales.

Instrucciones de conexión a tierra

El conductor a tierra debe conectarse a un metal con conexión a tierra, un sistema de cableado permanente o una terminal o conductor de conexión a tierra del equipamiento en la campana.

⚠ ADVERTENCIA

Una conexión inadecuada del conductor de conexión a tierra del equipamiento puede provocar un riesgo de descarga eléctrica. Consulte a un electricista calificado o representante de servicio técnico si tiene dudas sobre la correcta conexión a tierra del artefacto.

Esta campana debe usar un conducto redondo de 8”.

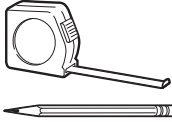
Puede conectarse a un conducto de 3-1/4” x 12”.

NO USE conductos flexibles de plástico.

NOTA: Cualquier sistema de ventilación doméstico, como una campana de ventilación, puede interrumpir el flujo adecuado de aire de combustión y de escape requerido para chimeneas, hornos a gas, calentadores de agua a gas y otros sistemas de ventilación natural. Para minimizar las posibilidades de interrupción de tales sistemas de ventilación natural, siga las pautas y normas de seguridad del fabricante del equipamiento de calefacción, tales como las publicadas por NFPA y ASHRAE. Cuando corresponda, instale un sistema de reposición (reemplazo) de aire de acuerdo con los requisitos del código local de construcción. Para acceder a soluciones de aire disponibles, visite GEAppliances.com.

Preparación para la instalación

HERRAMIENTAS Y MATERIALES REQUERIDOS (NO SUMINISTRADOS)



Lápiz y cinta métrica



Gafas de seguridad



Nivel de burbuja de aire



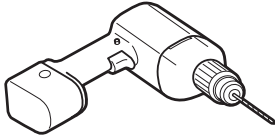
Martillo



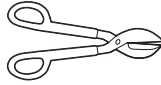
Destornillador de estrella



Linterna



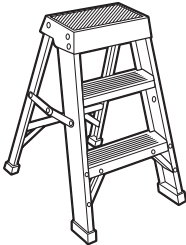
Perforadora eléctrica con brocas de 3/16", de estrella N° 2 y cabeza plana



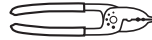
Tijeras para metal



Alicates



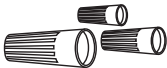
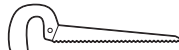
Escalera



Alicate pelacables



Sierra sable o serrucho de calar



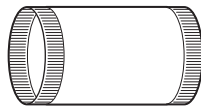
Tapones de alambre aprobados por UL



Cinta aislante de aluminio



Alivio de tensión para la caja de conexiones



Conducto de metal redondo de 8", longitud suficiente para la instalación



Cable de 120V, 60Hz 15 o 20 amperios de 2 hilos con circuito derivado con conexión a tierra

QUITE EL ENVOLTORIO

⚠ PRECAUCIÓN

Se guantes para protegerse de los bordes afilados.

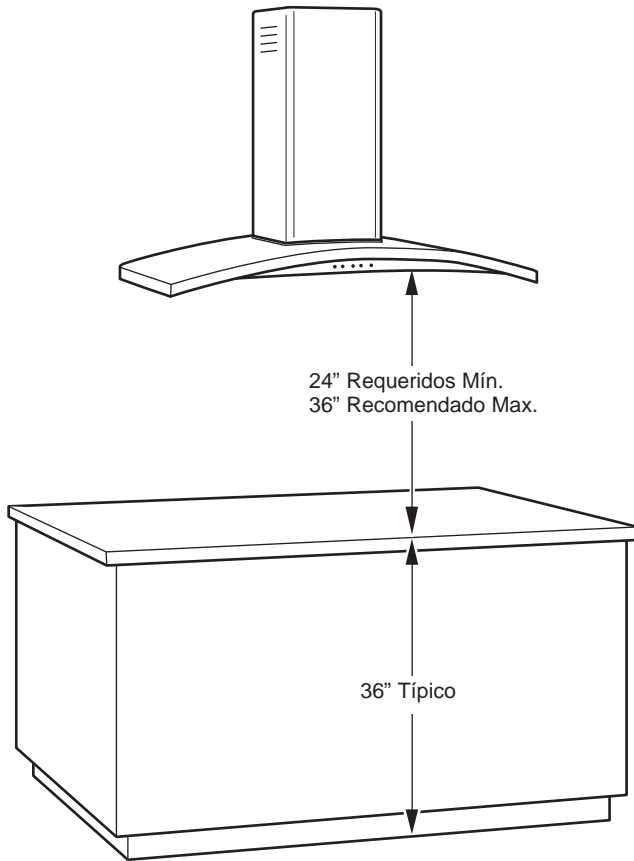
- Quite las cubiertas de los conductos.
- Quite la bolsa de piezas, el paquete de instrucciones y otras piezas en cajas.
- Quite y descarte adecuadamente el envoltorio plástico de protección y otros materiales de empaque.

Preparación para la instalación

ESPACIO DE INSTALACIÓN

Estas campanas de ventilación están diseñadas para ser instaladas en una pared sin gabinetes superiores.

- Instale estas campanas entre el mínimo requerido de 24" y el máximo recomendado de 36" sobre la superficie de cocción.



La campana de ventilación debe ser instalada entre el mínimo requerido de 24" y el máximo recomendado de 36" sobre la superficie de cocción. La altura de instalación de la campana sobre la superficie de cocción depende de la altura del cielorraso y las limitaciones de la cubierta del conducto. La cubierta plegable oculta los conductos que van desde la parte superior de la campana hasta el cielorraso.

NOTA: La altura de instalación debe medirse desde la superficie de cocción hasta la parte más baja de la campana. Esta campana debe ser instalada sobre una pared. Puede contar con ventilación hacia el exterior, o puede ser instalada para un funcionamiento con recirculación. Se incluye un kit de recirculación con la campana.

UVI7361		
Cubierta de conducto superior		29.92
Cubierta de conducto inferior		25.98
Mostrador hasta la altura de la campana		
Altura real del cielorraso	*Altura de instalación posible CON VENTILACIÓN	*Altura de instalación posible CON RECIRCULACIÓN
7' 11"	24"	24"
8' 0"	24" to 25"	24" to 25"
8' 1"	24" to 26"	24" to 26"
8' 2"	24" to 27"	24" to 27"
8' 3"	24" to 28"	24" to 28"
8' 4"	24" to 29"	24" to 29"
8' 5"	24" to 30"	24" to 30"
8' 6"	24" to 31"	24" to 31"
8' 7"	24" to 32"	24" to 32"
8' 8"	24" to 33"	24" to 33"
8' 9"	24" to 34"	24" to 34"
8' 10"	24" to 35"	24" to 35"
8' 11"	24" to 36"	24" to 36"
9' 0"	24" to 36"	24" to 36"
9' 1"	24" to 36"	24" to 36"
9' 2"	24" to 36"	24" to 36"
9' 3"	24" to 36"	24" to 36"
9' 4"	24" to 36"	24" to 36"
9' 5"	25" to 36"	24" to 36"
9' 6"	26" to 36"	24" to 36"
9' 7"	27" to 36"	24" to 36"
9' 8"	28" to 36"	24" to 36"
9' 9"	29" to 36"	24" to 36"
9' 10"	30" to 36"	25" to 36"
9' 11"	31" to 36"	26" to 36"
10' 0"	32" to 36"	27" to 36"
10' 1"	33" to 36"	28" to 36"
10' 2"	34" to 36"	29" to 36"
10' 3"	35" to 36"	30" to 36"
10' 4"	36"	31" to 36"
10' 5"		32" to 36"
10' 6"		33" to 36"
10' 7"		34" to 36"
10' 8"		35" to 36"
10' 9"		36"

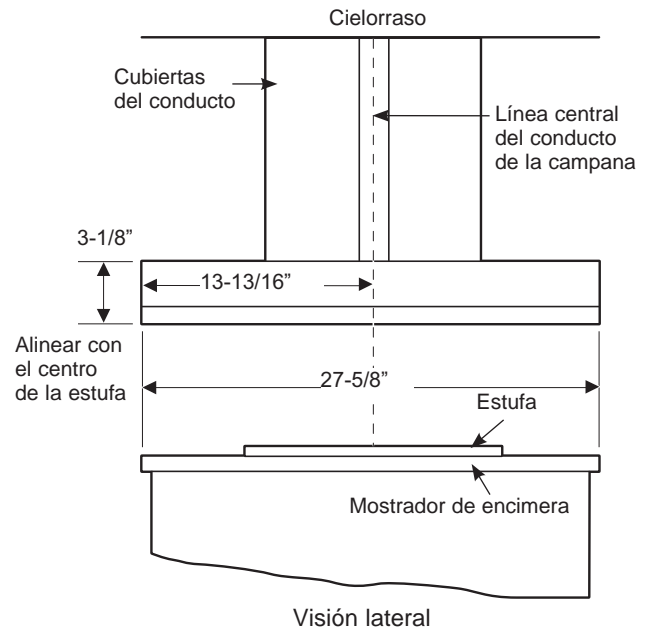
* Basado en una altura de mostrador de encimera de 36".

Preparación para la instalación

CONSTRUYA EL SOPORTE DEL CIELORRASO

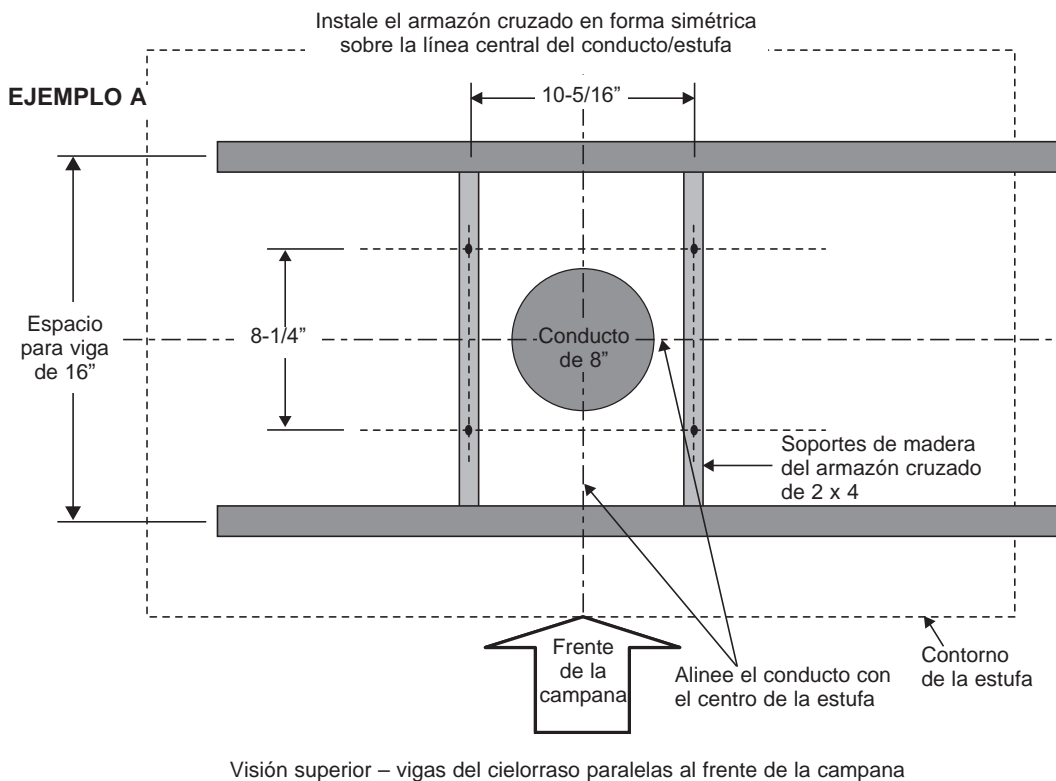
Planifique la ubicación de la campana y del conducto

- Utilice una plomada para verificar la ubicación.
El mostrador de encimera/la estufa debajo de la campana deben centrarse respecto de la campana.
- La campana debe extenderse más allá de los bordes frontal y trasero del aparato de cocción.
- El conducto del cielorraso debe centrarse sobre la estufa.



Estructura del soporte de cielorraso

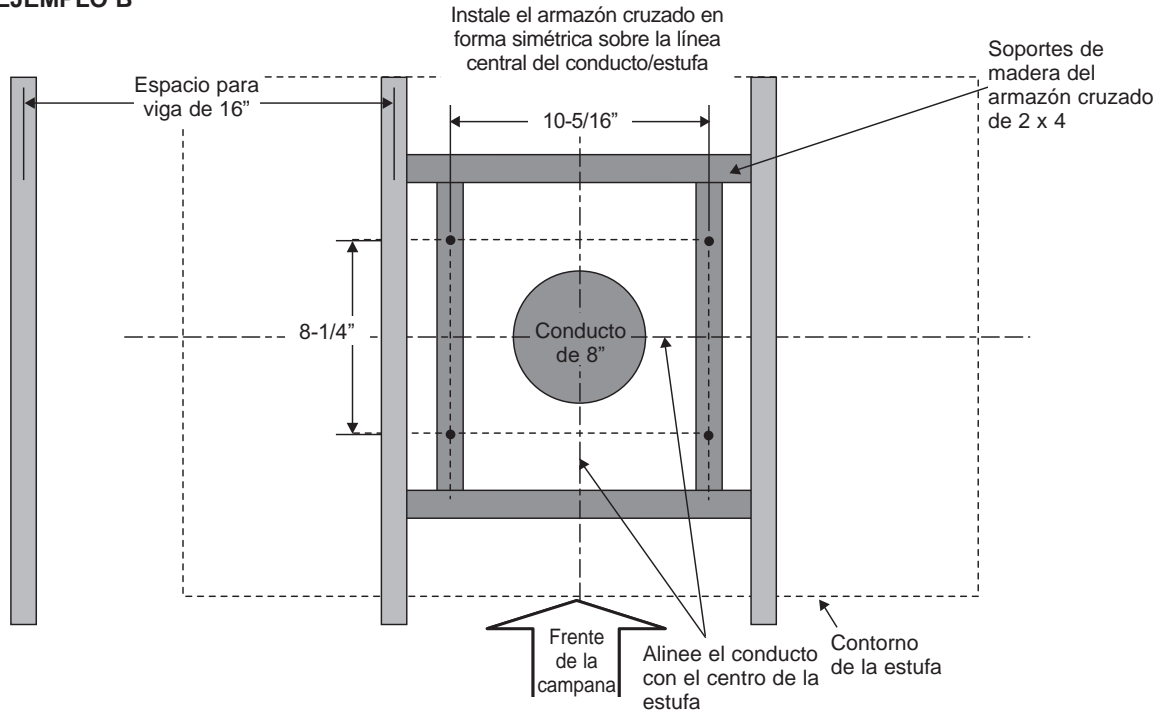
- En la ubicación de la campana, instale un armazón cruzado entre las vigas como se indica. (Se requieren soportes de madera de 2 x 4 para sostener el peso de la campana.)
- Coloque el armazón cruzado en el cielorraso de modo que se ajuste a la estructura existente.
- Las vigas del cielorraso serán como uno de los siguientes ejemplos.



Preparación para la instalación

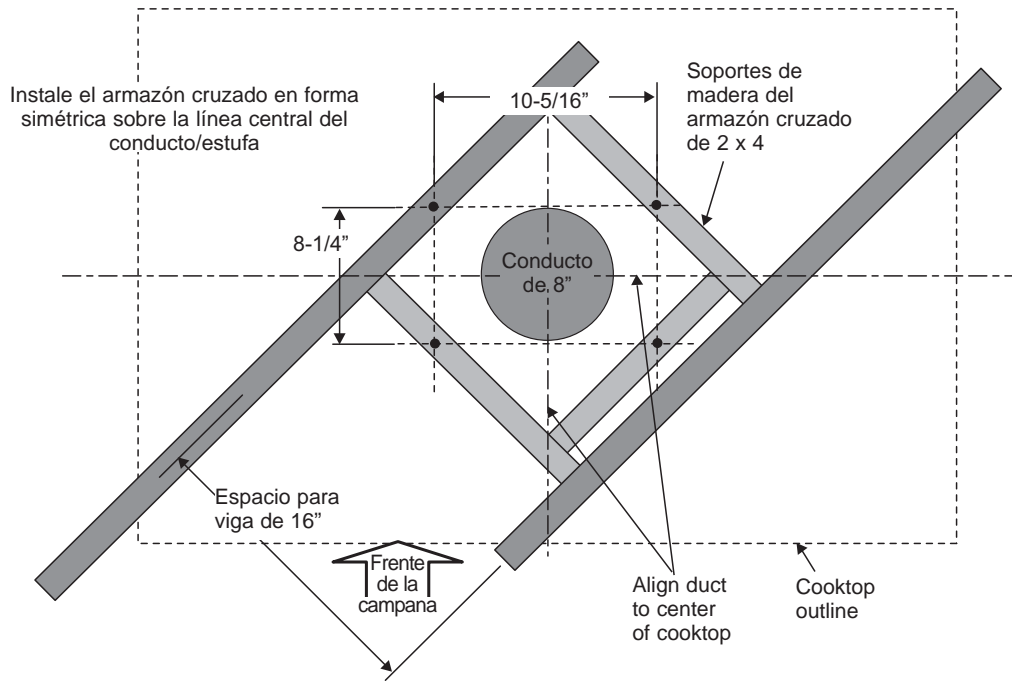
CONSTRUYA EL SOPORTE DEL CIELORRASO (Cont.)

EJEMPLO B



Visión superior – las vigas del cielorraso corren paralelas al frente de la campana

EJEMPLO C



Top view – ceiling joists at angle to front of hood

Preparación para la instalación

CONSTRUYA EL SOPORTE DEL CIELORRASO (Cont.)

- Fije cada bloque de 2 x 4 con por lo menos cuatro (4) tornillos para madera N°10 de 3" de longitud (no provistos). Utilice un total de 8 tornillos para madera para los dos soportes.
- El armazón cruzado debe estar precisamente alineado para garantizar una posición correcta de la campana.
- El armazón cruzado debe estar nivelado en todas las direcciones. Controle con un nivel de burbuja y ajuste si hiciera falta.

IMPORTANTE: La estructura del cielorraso debe poder soportar el peso de la campana (aproximadamente 200 libras) y las cargas de contacto involuntarias ejercidas por el usuario.

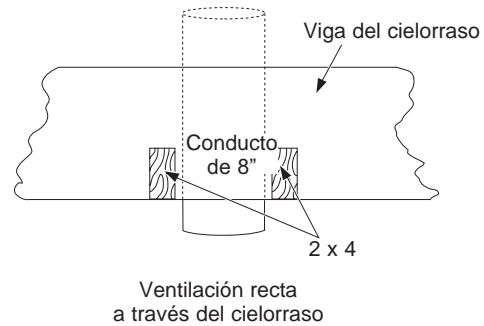
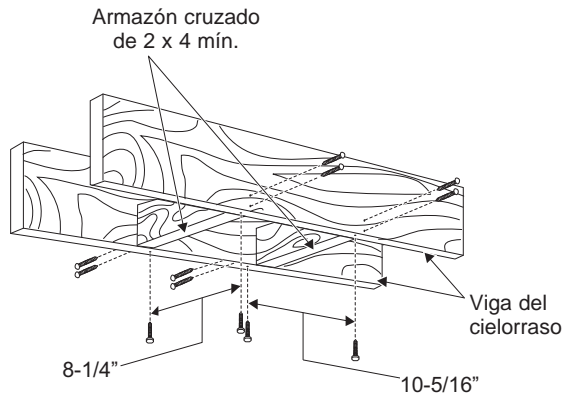
El armazón de la campana tendrá el soporte de un armazón cruzado de 2 x 4.

Conductos para instalaciones con ventilación hacia el exterior

- Use el recorrido más corto y directo para el conducto a fin de lograr un rendimiento satisfactorio.
- Esta campana de ventilación debe utilizar un conducto rígido redondo de 8".
- Instale el conducto doméstico para que corra en forma horizontal entre las vigas del cielorraso o en forma recta a través del techo.

Finalice el cielorraso

- Finalice la superficie del cielorraso. Asegúrese de marcar la ubicación de las vigas del cielorraso y del armazón cruzado. Controle que el cielorraso esté nivelado; utilice cuñas si fuese necesario.

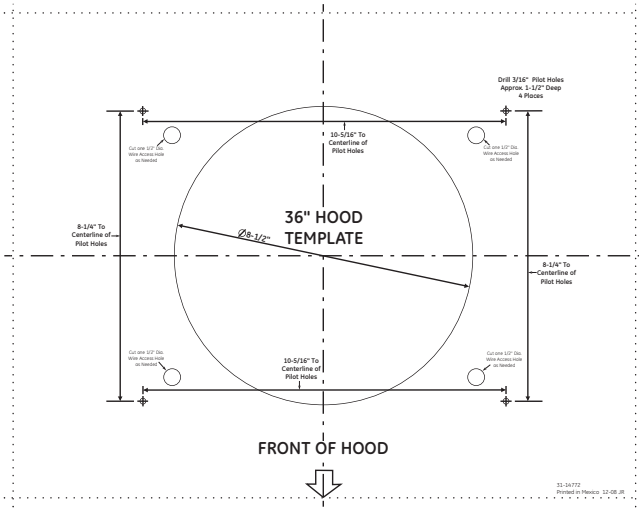


Instrucciones de Instalación

INSTALACIÓN - VENTILACIÓN HACIA EL EXTERIOR

PASO 1: COLOQUE LA PLANTILLA

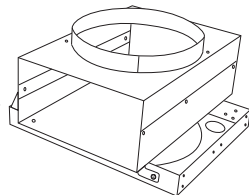
- Alinee la plantilla con las marcas sobre el cielorraso y adhiera en su lugar con cinta.
 - Asegúrese de que la plantilla esté bien orientada con el frente de la campana.
- Utilice una plomada para asegurar que los orificios de montaje brinden una alineación paralela con el mostrador de encimera de abajo.
- Determine la ubicación del orificio de acceso para cables.
- Centre todas las ubicaciones de tornillos y de orificios para cable determinados.
- Perfore orificios piloto en las 4 ubicaciones para tornillos. Utilice una broca de 3/16" y perfore con una profundidad de aproximadamente 1-1/2".
- Perfore un orificio de 1/2" para los cables.
- Corte la abertura de conducto de 8-1/2" a través del cielorraso.



NOTA: Sólo para la versión con recirculación; el deflector de air no está incluido.

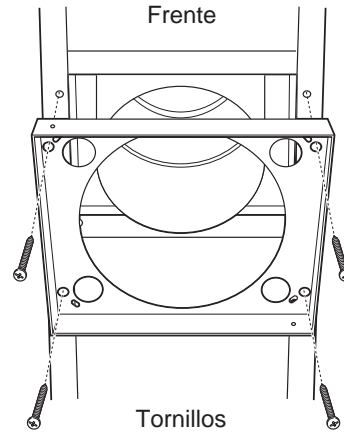
INSTALE EL DEFLECTOR DE AIRE DENTRO DEL SOPORTE DEL CIELORRASO

- Coloque el soporte del cielorraso sobre una superficie firme, con el lado del gancho hacia arriba.
- Coloque el deflector de aire en el soporte del cielorraso, con la abertura del conducto hacia arriba y uno de los lados abiertos hacia lo que será el frente del montaje de la campana. Las lengüetas del deflector quedarán hacia el lado exterior del soporte del cielorraso.
- Utilizando los 2 tornillos provistos, fije las lengüetas del deflector al soporte del cielorraso.



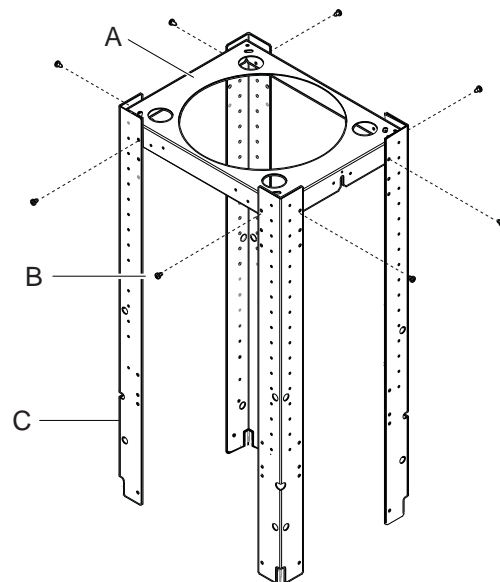
PASO 2: INSTALE EL SOPORTE DEL CIELORRASO

- Utilizando los 4 tornillos provistos, sujete el soporte del cielorraso al cielorraso sobre el orificio de abertura del conducto mediante los orificios piloto perforados en el paso 1.



PASO 2: INSTALE LOS SOPORTES HORIZONTALES INFERIORES EN EL ENSAMBLE DE LA CAMPANA

- Instale el soporte horizontal inferior en los 4 soportes verticales inferiores con los 8 tornillos de 4.2 x 8 mm.



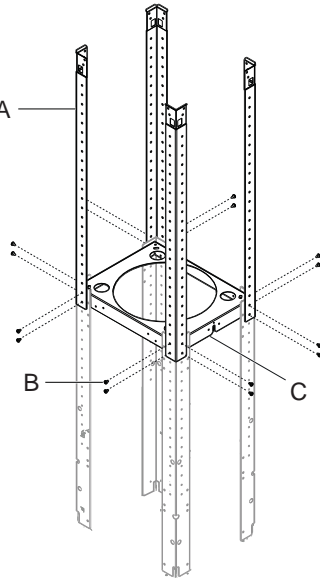
- A. Soporte horizontal inferior
- B. 8 tornillos de 4.2 x 8
- C. 4 soportes verticales inferiores

Instrucciones de instalación

INSTALACIÓN - VENTILACIÓN HACIA EL EXTERIOR (Cont.)

PASO 4: INSTALE LOS SOPORTES VERTICALES INFERIORES EN EL ENSAMBLE DE LA CAMPANA

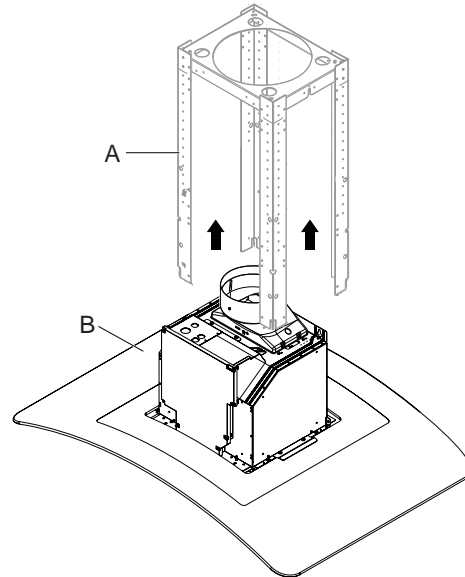
- Instale los 4 soportes verticales inferiores en el soporte horizontal inferior con los 16 tornillos de 4.2 x 8 mm.



- A. 4 soportes verticales superiores
- B. 16 tornillos de 4.2 x 8
- C. Soporte horizontal inferior

PASO 6: INSTALE EL ENSAMBLE DE LA CAMPANA EN EL SOPORTE

- Contando con 2 o más personas, levante el ensamble de la campana de cocina debajo de la estructura.

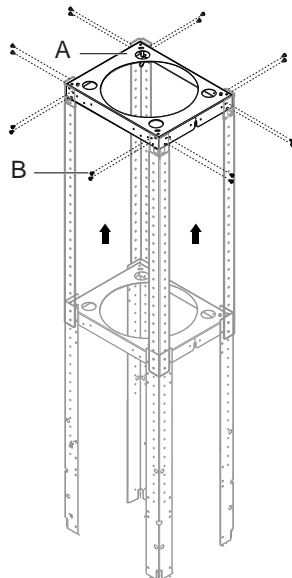


- A. Soportes verticales inferiores
- B. Ensamble de la campana de cocina

PASO 5: REALICE LA INSTALACIÓN EN EL SOPORTE SUPERIOR

- Instale la estructura en el soporte horizontal superior con los 16 tornillos de 4.2 x 8.

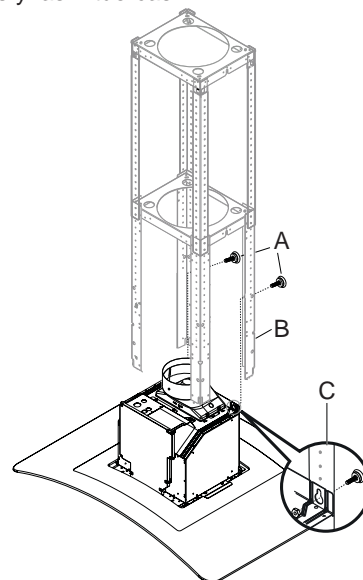
NOTA: Adhiera la estructura al soporte horizontal superior instalado.



- A. Soporte horizontal superior
- B. 16 tornillos de 4.2 x 8

PASO 7: REALICE LA INSTALACIÓN EN EL SOPORTE INFERIOR

- Adhiera el ensamble de la campana de cocina en los soportes verticales inferiores con los 2 tornillos niveladores y las 2 tuercas.



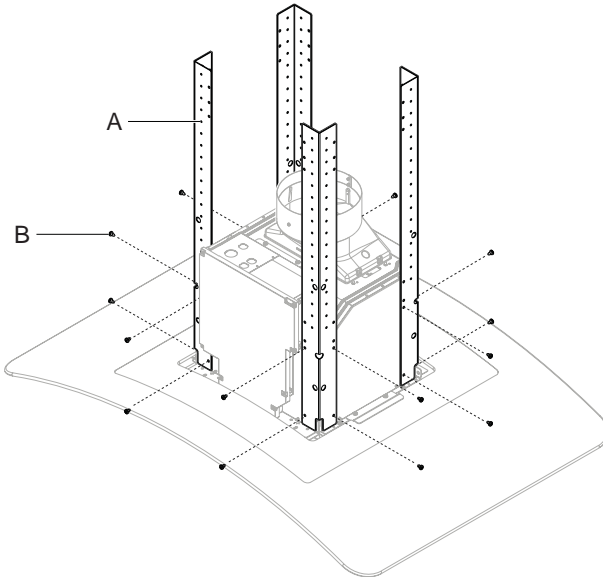
- A. 2 tornillos niveladores
- B. Soporte vertical inferior
- C. Coloque los tornillos niveladores a través de la estructura

Instrucciones de Instalación

INSTALACIÓN - VENTILACIÓN HACIA EL EXTERIOR (Cont.)

PASO 8: REALICE LA INSTALACIÓN DE LOS SOPORTES VERTICALES

- Instale los 4 soportes verticales con los 16 tornillos de 4.2 x 8 mm. Asegúrese de que todos los tornillos estén ajustados de forma segura.



- A. 4 soportes verticales superiores
- B. 16 tornillos de 4.2 x 8

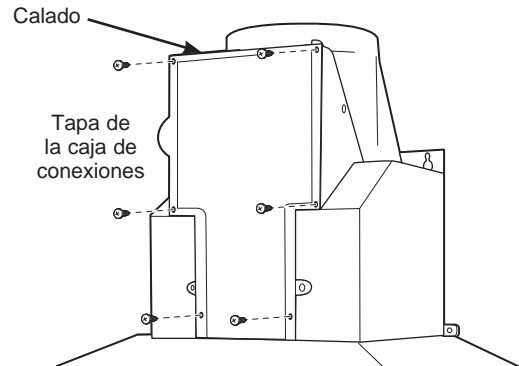
PASO 9: CONECTE LOS ELEMENTOS ELÉCTRICOS

Verifique que la energía esté cortada en la fuente.

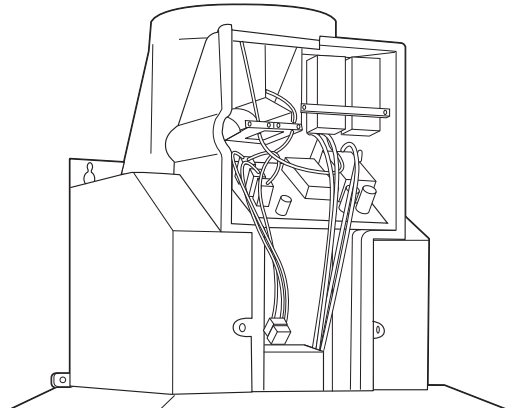
⚠ ADVERTENCIA

Si el cableado doméstico no cuenta con un cable de 2 hilos con conexión a tierra, un instalador debe realizar una conexión a tierra. Cuando el cableado doméstico es de aluminio, asegúrese de usar un compuesto antioxidante y conectores de aluminio a cobre aprobados por UL.

- Quite los 6 tornillos de la tapa de la caja de conexiones y el calado sobre la parte superior izquierda.



- Asegure el cableado doméstico a la caja de conexiones con un alivio de tensión (no provisto).



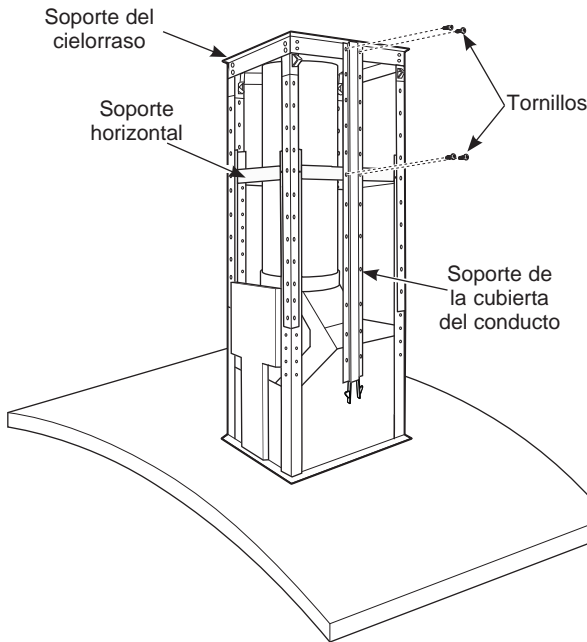
- Conecte el cable blanco al cable blanco del circuito derivado.
- Conecte el cable negro al cable negro del circuito derivado.
- Conecte el cable verde/amarillo al cable verde del circuito derivado o al cable de conexión a tierra.
- Ajuste todas las conexiones con tapones de alambre sobre cada conector eléctrico.
- Empuje los cables dentro de la caja de conexiones y vuelva a colocar la tapa. Verifique que los cables no sufran pellizcos.
- Ajuste la tapa de la caja de conexiones con los 6 tornillos originales.

Instrucciones de Instalación

INSTALACIÓN - VENTILACIÓN HACIA EL EXTERIOR (Cont.)

PASO 10: INSTALE LOS SOPORTES DE LA CUBIERTA DEL CONDUCTO

- Sujete los soportes de la cubierta del conducto a los costados de los soportes horizontales y de cielorraso usando 4 tornillos por soporte.

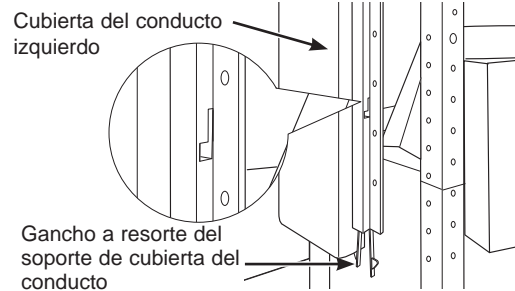


PASO 11: INSTALE LAS CUBIERTAS DEL CONDUCTO

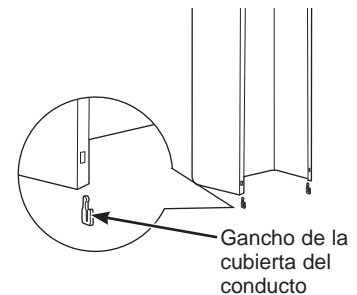
IMPORTANTE: Se necesitan dos personas para instalar las cubiertas del conducto.

NOTA: Si va a instalar esta campana para una operación de recirculación, coloque las cubiertas del conducto sobre la campana con las ranuras de ventilación en la parte superior. Si la campana se ventila hacia el exterior, los orificios deben colocarse en la parte inferior.

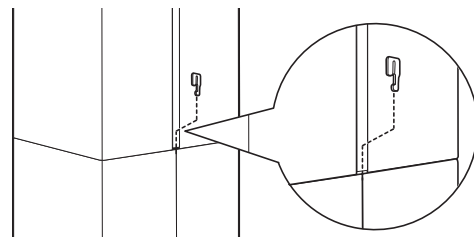
- Quite la película protectora de todas las cubiertas del conducto.
- Coloque una cubierta del conducto superior sobre la parte trasera del montaje del soporte. Las lengüetas de los extremos de la cubierta del conducto se deslizarán dentro de una ranura del soporte. Cuando las 6 lengüetas de la cubierta del conducto se encuentran en las ranuras de los dos soportes de la cubierta del conducto, deslice la cubierta hacia arriba para que quede colocada en el gancho a resorte del soporte.



- Coloque un gancho de la cubierta del conducto en la parte inferior de la cubierta del conducto inferior, trabando el gancho en su lugar. Repita en el otro lado.



- Baje la cubierta del conducto dentro del espacio de la campana, con cuidado de sostener el gancho en su lugar mientras baja la cubierta del conducto sobre el montaje de la campana.
- Coloque la cubierta del conducto inferior frontal en el espacio de la campana trabándola en el gancho de la cubierta del conducto de la cubierta trasera.
- Coloque un gancho de la cubierta del conducto en la parte superior de cada lado donde se juntan las cubiertas del conducto frontal y trasera. Esto mantendrá unidas las cubiertas trasera y frontal.

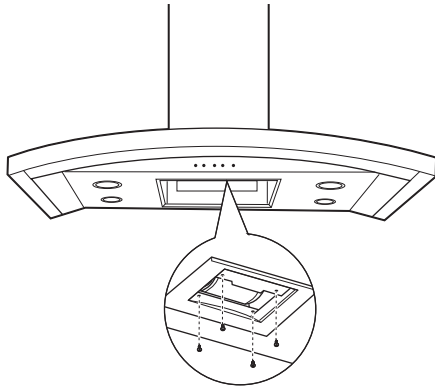


Instrucciones de Instalación

INSTALACIÓN - VENTILACIÓN HACIA EL EXTERIOR (Cont.)

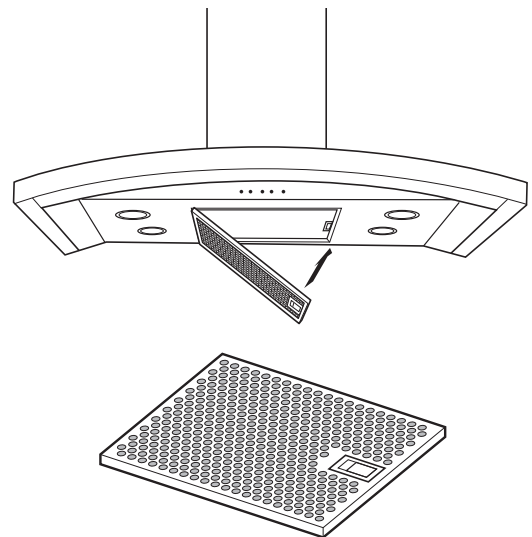
PASO 11: INSTALE LAS CUBIERTAS DEL CONDUCTO (Cont.)

- Usando los tornillos provistos, fije las cubiertas del conducto inferiores al montaje de la campana desde la parte inferior de la campana.



PASO 12: INSTALE EL FILTRO DE GRASA METÁLICO

- Quite la película protectora del filtro de grasa.
NOTA: No se necesita el filtro de carbón para esta instalación.
- Coloque las lengüetas del extremo del filtro dentro de las ranuras del lado izquierdo de la abertura del filtro. Levante el lado derecho del filtro y presione ligeramente hasta que el filtro se trabe en su lugar. Verifique que la traba del filtro se encuentre en la posición cerrada para asegurar el filtro.
- Para quitar el filtro, tire de la traba del filtro hacia abajo.

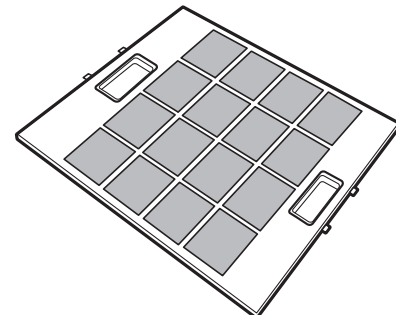


NOTA: Sólo para la versión con recirculación; el deflector de air no está incluido.

INSTALE LOS FILTROS

Filtro de carbón

Introduzca el filtro de carbón dentro de la abertura. Presione la traba sobre ambos lados hacia el centro y sujete la brida.



Consejos para la Solución de Problemas... Antes de solicitar el servicio técnico

¡Ahorre tiempo y dinero! Primero revise los cuadros que aparecen en las siguientes páginas y es posible que no necesite solicitar reparaciones.

Problema	Causas posibles	Qué hacer
El ventilador/la luz no funcionan cuando se presionan los botones	El fusible puede haberse quemado o el interruptor de circuitos puede haber saltado.	Cambie los fusibles o reconfigure el interruptor de circuitos.
El ventilador no funciona cuando se presiona el botón + o – del ventilador o el botón MEMORY/OFF (memoria/apagado)	El conector del ventilador está suelto o no se encuentra enchufado dentro de su conector correspondiente.	Desconecte la electricidad hacia la unidad. Quite los filtros y observe el ventilador. Si el enchufe del conector del ventilador está suelto o si ve el conector colgando, el instalador no lo enchufó firmemente. Ver las Instrucciones de instalación para la ubicación del enchufe y sobre cómo enchufar el conector.
Ruido de flujo de aire muy elevado o anormal	Tamaño de conducto incorrecto utilizado en la instalación.	Esta campana requiere un conducto de un mínimo de 8" para funcionar de manera óptima. El uso de un conducto más pequeño hará que se ventile de forma inadecuada. Los técnicos de GE no pueden corregir este problema si hay una instalación inadecuada.
El ventilador no hace circular aire o desplaza el aire más despacio que lo normal y/o hace ruido de flujo de aire elevado o anormal	Obstrucciones en el conducto.	Verifique que no haya obstrucciones en la ventilación. Controle que la cubierta de pared o casquete de techo tengan una hoja o puerta.
	El filtro de grasa metálico y el filtro de carbón (si lo hubiera) pueden estar sucios.	Limpie el filtro de grasa metálico y vuelva a colocar el filtro de carbón (si lo hubiera). Ver Cuidado y limpieza de la campana de ventilación.
	El filtro de grasa metálico y el filtro de carbón (si lo hubiera) pueden estar sucios.	Se requiere suficiente reposición (reemplazo) de aire para que los artefactos con salida de aire funcionen de acuerdo con sus calificaciones energéticas. Controle los códigos locales de construcción, que podrán requerir o aconsejar enfáticamente el uso de reposición de aire. Para acceder a soluciones de aire disponibles, visite GEAppliances.com .
Los controles de la campana no funcionan correctamente	Error en el circuito lógico.	Desconecte la electricidad de la campana re configurando el interruptor de circuitos. Espere 30 segundos para que los controles vuelvan a configurarse.
La campana no funciona cuando se presiona el botón MEMORY/OFF. Todos los collarines ubicados alrededor de los botones se encuentran iluminados.	La característica de memoria no se ha configurado. Esto es normal.	Siga los procedimientos para configurar el botón MEMORY/OFF. Ajuste las configuraciones del ventilador y de luz de acuerdo con sus preferencias.
El ventilador se encendió solo y se encuentra en la configuración MED (media). La configuración de ventilador puede ajustarse pero no apagarse (OFF).	Se encuentra activado el sensor de calor.	Esto es normal cuando las temperaturas debajo de la campana superan los límites del sensor de calor. Quite la fuente de calor debajo de la campana o espere a que la campana se enfríe a niveles apropiados. La campana se apagará automáticamente o volverá a su configuración original una vez que el sensor detecte que la temperatura ha alcanzado una condición segura.
El collarín ubicado alrededor del botón de presión no se ilumina cuando se presiona.	El botón de presión puede estar trabado.	Controle el botón de presión afectado y verifique que no esté trabado. Llame al servicio técnico si continúa el problema.
Dos o más collarines ubicados alrededor de los botones de presión no se iluminan cuando se presionan.	Dos o más botones de presión pueden estar trabados.	Controle los botones de presión afectados y verifique que no estén trabados. Llame al servicio técnico si continúa el problema.
Las presiones secuenciales a los botones LIGHT (luz) o FAN (ventilador) cambian la configuración de baja a OFF (apagado), a la configuración más alta, a OFF, a la configuración	Esto es normal. Es una característica de la campana que los botones LIGHT y FAN se desplacen entre configuraciones para poder programar fácilmente los controles en la configuración deseada.	No se requiere una acción.

Garantía Limitada

GEAppliances.com

Todo el servicio de garantía es provisto por nuestros Centros de Servicio de Fabricación, o un técnico autorizado de Customer Care®. Para programar una visita del servicio técnico a través de Internet, visítenos en geappliances.com/service, o llame al 800.GE.CARES (800.432.2737). Cuando llame para solicitar el servicio, tenga los números de serie y modelo disponibles.

Para realizar el servicio técnico de su electrodoméstico, se podrá requerir el uso de datos del puerto de abordaje para su diagnóstico. Esto da al técnico del servicio de fábrica de GE Appliances la habilidad de diagnosticar de forma rápida cualquier problema con su electrodoméstico, y de ayudar a GE Appliances a mejorar sus productos al brindarle a GE Appliances la información sobre su electrodoméstico. Si no desea que los datos de su electrodoméstico sean enviados a GE Appliances, solicitamos que le indique a su técnico no entregar los datos a GE Appliances en el momento del servicio.

Por el Período de	GE Appliances reemplazará
Un Año Desde la fecha de la compra original	Cualquier pieza del producto de cocción que falle debido a un defecto en los materiales o la fabricación. Durante esta garantía limitada de un año , GE Appliances también proveerá, sin costo , todo el trabajo y costos del servicio relacionados con el reemplazo de la pieza defectuosa.

Qué no cubrirá GE Appliances:

- Viajes del técnico del servicio a su hogar para enseñarle sobre cómo usar el producto.
- Instalación, entrega o mantenimiento inadecuados.
- Fallas del producto en caso de abuso, mal uso, modificación o uso para propósitos diferentes al original o uso comercial.
- Reemplazo de fusibles de la casa o reinicio de disyuntores.
- Daños ocasionados sobre el producto por accidente, incendio, inundaciones o catástrofes naturales.
- Daños incidentales o consecuentes causados por posibles defectos sobre este producto.
- Daños sobre el acabado, tales como óxido sobre la superficie, deslustres o manchas pequeñas no informadas dentro de las 48 horas luego de la entrega.
- Daño causado después de la entrega.
- Producto no accesible para brindar el servicio requerido.
- Marcas o manchas (incluyendo manchas de óxido sobre la superficie) que pueden ser eliminadas siguiendo las instrucciones de limpieza.
- Solicite el servicio técnico para reparar o reemplazar las lámparas, excepto las lámparas LED.

EXCLUSIÓN DE GARANTÍAS IMPLÍCITAS

Su única y exclusiva alternativa es la reparación del producto, como se indica en la Garantía Limitada. Las garantías implícitas, incluyendo garantías implícitas de comerciabilidad o conveniencia sobre un propósito particular, se limitan a un año o al período más corto permitido por la ley.

Esta garantía limitada se extiende al comprador original y a cualquier dueño subsiguiente de productos comprados para uso hogareño dentro de EE.UU. Si el producto está en un área donde no se encuentra disponible un Proveedor Autorizado del Servicio Técnico de GE Appliances, usted será responsable por el costo de un viaje o se podrá requerir que traiga el producto a una ubicación del Servicio Técnico de GE Appliances autorizado para recibir el servicio. En Alaska, la garantía limitada excluye el costo de envío o llamadas del servicio a su hogar. Algunos estados no permiten la exclusión o limitación de daños fortuitos o consecuentes. Esta garantía limitada le da derechos legales específicos y es posible que tenga otros derechos legales que varían entre un estado y otro. Para conocer cuáles son sus derechos legales, consulte a la oficina de asuntos del consumidor local o estatal o al Fiscal de su estado.

Garante: GE Appliances, a Haier company
Louisville, KY 40225

Garantías Extendidas: Adquiera una garantía extendida de GE Appliances y conozca los descuentos especiales que están disponibles mientras su garantía aún está vigente. Puede acceder a la misma a través de Internet en cualquier momento en

geappliances.com/extended-warranty

o llamando al 800.626.2224 durante el horario comercial. Los Servicios para los GE Appliances aún estarán disponibles cuando su garantía caduque.

Abroche su recibo aquí. Para acceder al servicio técnico de acuerdo con la garantía deberá contar con la prueba de la fecha original de compra.

Soporte para el Consumidor

Sitio Web de GE Appliances

¿Desea realizar una consulta o necesita ayuda con su electrodoméstico? ¡Intente a través del Sitio Web de GE Appliances las 24 horas del día, cualquier día del año! Usted también puede comprar más electrodomésticos maravillosos de GE Appliances y aprovechar todos nuestros servicios de soporte a través de Internet, diseñados para su conveniencia.

En EE.UU.: GEAppliances.com

Registre su Electrodoméstico

¡Registre su electrodoméstico nuevo a través de Internet, según su conveniencia! Un registro puntual de su producto permitirá una mejor comunicación y un servicio más puntual de acuerdo con los términos de su garantía, en caso de surgir la necesidad. También puede enviar una carta en la tarjeta de inscripción preimpresa que se incluye con el material embalado.

En EE.UU.: GEAppliances.com/register

Servicio Programado

El servicio de reparación de expertos de GE Appliances está a sólo un paso de su puerta. Conéctese a través de Internet y programe su servicio a su conveniencia cualquier día del año. En EE.UU.: GEAppliances.com/service o comuníquese al 800.432.2737 durante el horario de atención comercial.

Garantías Extendidas

Adquiera una garantía extendida de GE Appliances y conozca los descuentos especiales que están disponibles mientras su garantía aún está vigente. La puede adquirir en cualquier momento a través de Internet. Los servicios de GE Appliances aún estarán allí cuando su garantía caduque.

En EE.UU.: GEAppliances.com/extended-warranty o comuníquese al 800.626.2224 durante el horario de atención comercial.

Piezas y Accesorios

Aquellos individuos calificados para realizar el servicio técnico de sus propios electrodomésticos podrán solicitar el envío de piezas o accesorios directamente a sus hogares (se aceptan las tarjetas VISA, MasterCard y Discover). Ordene hoy a través de Internet durante las 24 horas, todos los días. En EE.UU.: GEApplianceparts.com o de forma telefónica al 877.959.8688 durante el horario de atención comercial.

Las instrucciones que figuran en este manual cubren los procedimientos que serán realizados por cualquier usuario. Otros servicios técnicos generalmente deben ser derivados a personal calificado del servicio. Se deberá tener cuidado, ya que una reparación indebida podrá hacer que el funcionamiento no sea seguro.

Contáctenos

Si no se encuentra satisfecho con el servicio que recibió de GE Appliances, comuníquese con nosotros a través de nuestro sitio Web con todos los detalles, incluyendo su número telefónico, o escriba a:

En EE.UU.: General Manager, Customer Relations | GE Appliances, Appliance Park | Louisville, KY 40225
GEAppliances.com/service