

OVEN 100 SERIES 30"



CODE ID

30" MULTIFUNCTION EASY-CLEAN OVEN

F1SM30S3



Convection



Multi-level cooking



Cool Touch Door



Interior Lighting

SPECIFICATIONS

OVEN

Knob and electronic controls
Black Porcelain enamel interior
2 Halogen lights
Total capacity 85,3 lt
Total capacity 3,01 cu. ft.
2 chrome racks
Enameled Grill basin

OVEN FUNCTIONS

Convection Bake
Convection Broil
Convection Roast
Bake
Broil
Lower Conv. Bake

OPTIONAL ACCESSORIES

FMTR 130

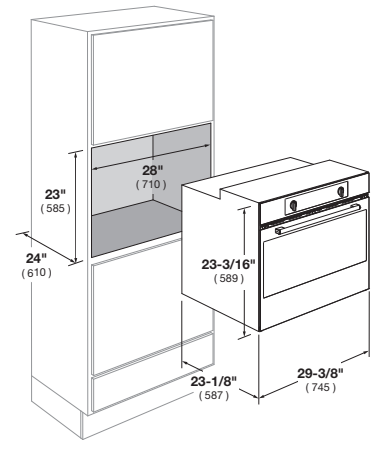
Telescopic rack



This product meets ADA (Americans with Disabilities Act) requirements. Please check with your local municipality's codes and stipulations for additional details to ensure compliance.

DISTINTO

MULTIFUNCTION EASY-CLEAN OVEN



CODE ID	30" MULTIFUNCTION EASY-CLEAN OVEN F1SM30S3	
Series	100	
Finish	Stainless Steel	
CONTROL PANEL		
Control Type	2 Knobs / 3 Touch Buttons	
Display: Clock - Timer	White LED	
OVEN		
Type	Electronic	
Temperature Regulation	Electro-Mechanical Control (min/max 120/540°F - 50/285°C)	
OVEN FUNCTIONS		
	Convection	Bake
	Convection Bake	Oven Lights
	Convection Broil	Broil
	Convection Roast	
OVEN DOOR(S)		
Oven Glass Window	Large See Through Glass	
Door Cooling System	3 Heat Resistant Glasses	
Door Hinges	Heavy Duty Steady Tilt	
Handle Style	Tubular Steel	
OVEN CAVITY		
Total Capacity (lt)	85,3	
Total Capacity (cu. ft.)	3,01v	
Cavity Enamel Color	Black	
Rack Positions	4	
Oven Lights	2x20W Halogen	
HEATING ELEMENTS (@240V)		
Broil Upper Heating Element	3100 W	
Upper Auxiliary Element	1032 W	
Lower Auxiliary Element	-	
Concealed Bake Lower Heating Element	2100 W	
Convection Element	-	
OVEN ACCESSORIES		
Chrome Racks	2	
Enameled Broiler Pan (basin + anti splash)	1 (basin only)	
Telescopic Chrome Rack	Optional	
DIMENSIONS/WEIGHT		
Overall dim - Width	29 - 3/8"	745 mm
Overall dim - Height	23 - 3/16"	589 mm
Overall dim - Depth	22 - 1/16"	560 mm
Cut-out - Width	28"	710 mm
Cut-out - Height (min)	23"	585 mm
Cut-out - Depth (min)	24"	610 mm
Gross Weight	148 lbs	67 kg
POWER / RATINGS (208/240 V, 60 HZ)		
kW / Amps rating at 120-240V, 60Hz	3.63kW - 15.6A	
kW / Amps rating at 120-208V, 60Hz	2.76kW - 13.7A	
Power Cable	Conduit	
INSTRUCTIONS FOR USE		
Use & Care Manual / Installation Manual	English / French / Spanish	