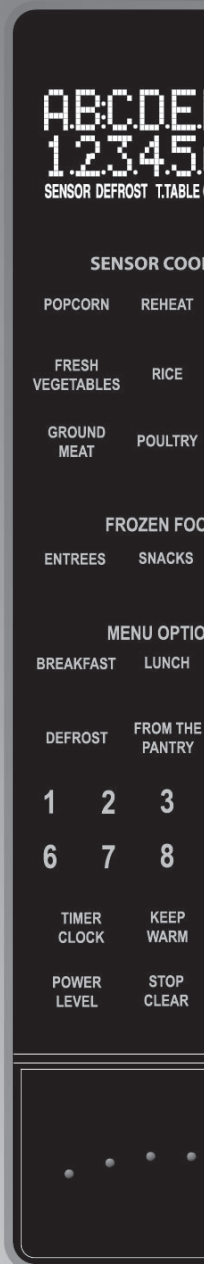


FULGOR

MILANO



MICROWAVE OVEN



USE & CARE MANUAL
GUIDE D'UTILISATION ET D'ENTRETIEN

Dear Customer,

Thank you for purchasing a Fulgor Milano product. Fulgor Milano is committed to excellence and our signature technologies provide you with professional tools for your kitchen. One of our central philosophies is continuous investment in research that is rooted in developing life enhancing technology. Our goal is to deliver products that are worthy of your family recipes and that will breathe life into your kitchen, the heart of your home. We invite you to enjoy your new Fulgor Milano product with same amount of care and attention that we have put into creating it.

Your Life | Our Passion

Gianni Mezzetti

TABLE OF CONTENTS	PAGE
PRECAUTIONS TO AVOID POSSIBLE EXPOSURE TO EXCESSIVE MICROWAVE ENERGY	1
1 - Important Safety Instructions	2
2 - Installation Instructions	3-4
3 - Information You Need to Know	5-7
About Your Oven	5
About Utensils and Coverings	5
About Microwave Cooking	5
About Safety	6
About Children and the Microwave	6
About Food	7
4 - Part Names	8
Microwave Oven Parts	8
Control Panel	8
5 - Before Operating	9
Before Operating	9
To Set The Clock	9
Stop/Clear	9
Time Cooking	9
To Set Power Level	9
6 - Sensor Cooking	10-12
Using Sensor Settings	10
Covering Foods	10
Sensor Cooking Chart	11-12
7 - Menu Options	13-18
Breakfast and Lunch	13
Breakfast Chart	13
Lunch Chart	14

TABLE OF CONTENTS	PAGE
15 Minute Recipes	14-15
From The Pantry Recipes	16
Defrost	17
Super Defrost Chart	17
Auto Defrost Chart	17-18
Manual Defrost	18
Beverages	18
Beverages Chart	18
8 - Other Convenient Features	19-21
Keep Warm	19
More or Less Time Adjustment	19
Multiple Sequence Cooking	19
Setup/Help	19
Start	20
Timer/Clock	20
Demonstration Mode	20
Easy Minute	21
Help	21
9 - Cleaning and Care	22
Exterior	22
Door	22
Touch Control Panel	22
Interior	22
Waveguide Cover	22
Odor Removal	22
Turntable/Turntable Support	22
10 - Specifications	23
11 - Service Call Check	24
12 - Fulgor Milano WARRANTY for Home Appliances	25

PRECAUTIONS TO AVOID POSSIBLE EXPOSURE TO EXCESSIVE MICROWAVE ENERGY

- Do not attempt to operate this microwave oven with the door open since open-door operation can result in harmful exposure to microwave energy. It is important not to defeat or tamper with the safety interlocks.
- Do not place any object between the microwave oven front face and the door or allow soil or cleaner residue to accumulate on sealing surfaces.
- Do not operate the microwave oven if it is damaged. It is particularly important that the microwave oven door close properly and that there is no damage to the: (1) door (bent), (2) hinges and latches (broken or loosened), (3) door seals and sealing surfaces.
- The microwave oven should not be adjusted or repaired by anyone except properly qualified service personnel.

When using electrical appliances, basic safety precautions should be followed, including the following:

WARNING - To reduce the risk of burns, electric shock, fire, injury to persons or exposure to excessive microwave energy:

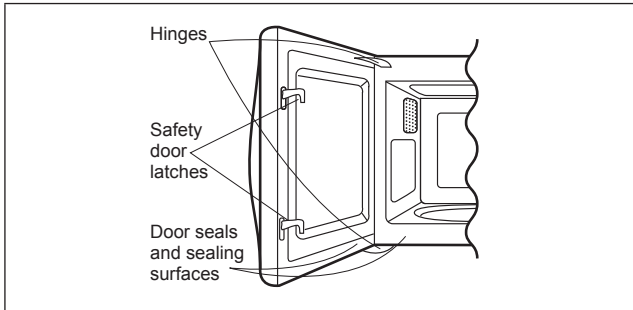
1. Read all instructions before using the appliance.
2. Read and follow the specific "PRECAUTIONS TO AVOID POSSIBLE EXPOSURE TO EXCESSIVE MICROWAVE ENERGY" on page 1.
3. This appliance must be grounded. Connect only to properly grounded outlet. See "GROUNDING INSTRUCTIONS" on page 4.
4. Install or locate this appliance only in accordance with the provided installation instructions.
5. Some products such as whole eggs and sealed containers—for example, closed glass jars—are able to explode and should not be heated in this oven.
6. Use this appliance only for its intended use as described in this manual. Do not use corrosive chemicals or vapors in this appliance. This type of oven is specifically designed to heat, cook or dry food. It is not designed for industrial or laboratory use.
7. As with any appliance, close supervision is necessary when used by children.
8. Do not operate this appliance if it has a damaged cord or plug, if it is not working properly or if it has been damaged or dropped.
9. This appliance should be serviced only by qualified service personnel. Contact nearest Fulgor Milano Authorized Servicer for examination, repair or adjustment.
10. Do not cover or block any openings on the appliance.
11. Do not store or use this appliance outdoors. Do not use this product near water—for example, near a kitchen sink, in a wet basement, near a swimming pool, or similar locations.
12. Do not immerse cord or plug in water.
13. Keep cord away from heated surfaces.
14. Do not let cord hang over edge of table or counter.
15. See door surface cleaning instructions on page 22.
16. To reduce the risk of fire in the oven cavity:
 - a) Do not overcook food. Carefully attend to appliance when paper, plastic or other combustible materials are placed inside the oven to facilitate cooking.
 - b) Remove wire twist-ties from paper or plastic bags before placing bag in oven.
 - c) **If materials inside the oven ignite, keep oven door closed, turn oven off and disconnect the power cord or shut off power at the fuse or circuit breaker panel.**
 - d) Do not use the cavity for storage purposes. Do not leave paper products, cooking utensils or food in the cavity when not in use.
17. Liquids, such as water, coffee or tea are able to be overheated beyond the boiling point without appearing to be boiling. Visible bubbling or boiling when the container is removed from the microwave oven is not always present. **THIS COULD RESULT IN VERY HOT LIQUIDS SUDDENLY BOILING OVER WHEN A SPOON OR OTHER UTENSIL IS INSERTED INTO THE LIQUID.** To reduce the risk of injury to persons:
 - a) Do not overheat the liquid.
 - b) Stir the liquid both before and halfway through heating it.
 - c) Do not use straight-sided containers with narrow necks. Use a wide-mouthed container.
 - d) After heating, allow the container to stand in the microwave oven for at least 20 seconds before removing the container.
 - e) Use extreme care when inserting a spoon or other utensil into the container.
18. If the oven is installed as a built-in, observe the following instructions:
 - a) Do not mount over a sink.
 - b) Do not store anything directly on top of the appliance surface when the appliance is in operation.
19. If the oven light fails, consult a Fulgor Milano Authorized Servicer.

SAVE THESE INSTRUCTIONS

Unpacking and Examining Your Oven

Remove all packing materials from inside the oven cavity; however, **DO NOT REMOVE THE WAVEGUIDE COVER**, which is located on the right cavity wall. Read enclosures and **SAVE** the Use and Care Manual.

Remove the feature sticker, if there is one, from the outside of the door.



Check the oven for any damage, such as misaligned or bent door, damaged door seals and sealing surfaces, broken or loose door hinges and latches and dents inside the cavity or on the door. If there is any damage, do not operate the oven and contact your dealer or Fulgor Milano Authorized Servicer.

Choosing a Location for Your Oven on the Counter

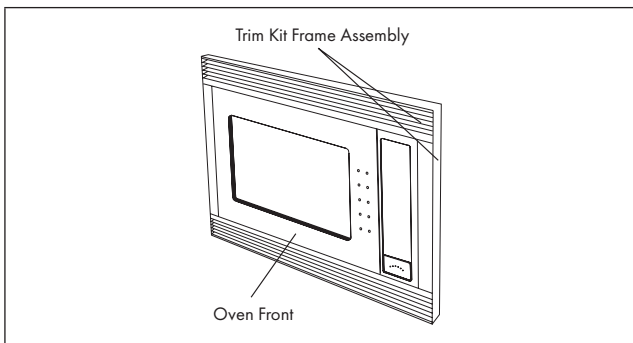
You will use the oven frequently so plan its location for ease of use. It's wise, if possible, to have counter space on at least one side of the oven. Allow at least 2 inches (5 cm) on the sides, top and at the rear of the oven for air circulation.

Choosing a Location for Your Oven if Built-in

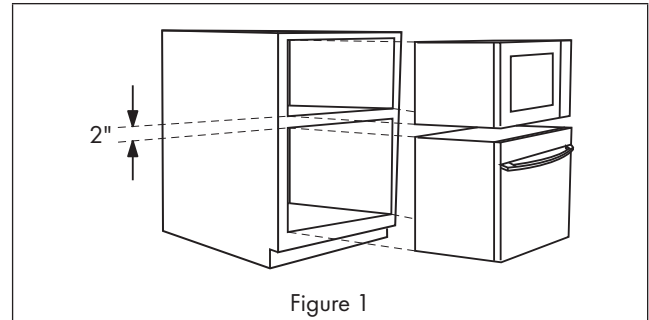
Your microwave oven can be built into a cabinet or wall using a Fulgor Milano built-in kit.

Your microwave oven can be built into a cabinet or wall by itself or above any electric wall oven or warming drawer using Fulgor Milano's built-in kit F4TK30MWO.

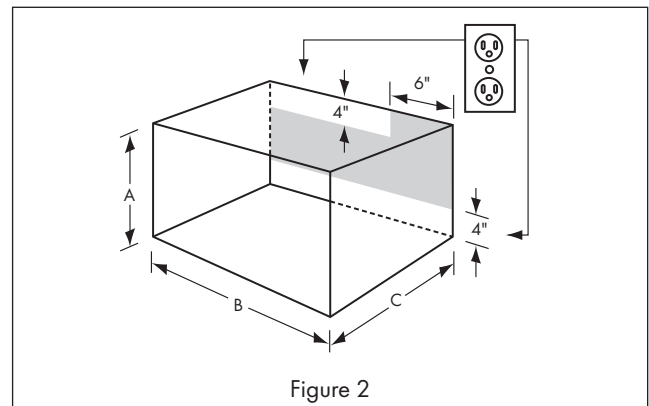
Your microwave oven cannot be built-in above any gas wall oven.



See Figure 1 for proper location when building in above an electric wall oven. Carefully follow both the wall oven installation instructions and Fulgor Milano's Built-in Kit instructions. Be sure that the clearance of the floor between the wall oven and the microwave oven is minimum of 2 inches (5 cm).



The opening in the wall or cabinet must be within the following dimensions:



- A HEIGHT : 16 3/4" to 17" (42.5 cm to 43.2 cm)
- B WIDTH : 24 3/8" to 24 11/16" (61.9 cm to 62.7 cm)
- C DEPTH : minimum 20" (50.8 cm)

Outlet should NOT be in the shaded area as indicated on Figure 2. If the dimension of DEPTH (C) is more than 21" (53.3 cm), the outlet location may be any area on the rear wall.

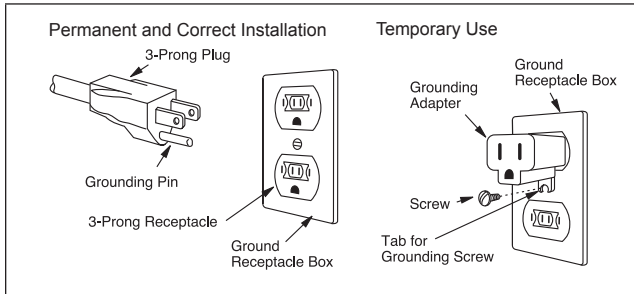
The floor of the opening should be constructed of plywood strong enough to support the weight of the oven and floor load (about 100 pounds/45 kg). The floor should be level for proper operation of the oven. Be sure to check the local building code as it may require that the opening be enclosed with sides, ceiling and rear partition. The proper functioning of the oven does not require the enclosure.

The kit includes all the necessary parts and easy-to-follow instructions for installation as well as location of the power supply.

The ease of assembly for these kits will allow installation into an existing wall opening in less than an hour if power outlet is already properly located. All it takes are four steps and a Phillips screwdriver.

GROUNDING INSTRUCTIONS

This appliance must be grounded. This oven is equipped with a cord having a grounding wire with a grounding plug. It must be plugged into a wall receptacle that is properly installed and grounded in accordance with the National Electrical Code and local codes and ordinances. In the event of an electrical short circuit, grounding reduces risk of electric shock by providing an escape wire for the electric current.



WARNING – Improper use of the grounding plug can result in a risk of electric shock.

Electrical Requirements

The electrical requirements are a 120 volt 60 Hz, AC only, 15 amp. or more protected electrical supply. It is recommended that a separate circuit serving only this appliance be provided.

The oven is equipped with a 3-prong grounding plug. It must be plugged into a wall receptacle that is properly installed and grounded. Should you only have a 2-prong outlet, have a qualified electrician install a correct wall receptacle.

A 3-prong adapter may be purchased and used temporarily if local codes allow. Follow package directions.

A short power-supply cord is provided to reduce risk of becoming entangled in or tripping over a longer cord.

Extension Cord

If it is necessary to use an extension cord, use only a 3-wire extension cord that has a 3-prong grounding plug and a 3-prong receptacle that will accept the plug on the microwave oven. The marked rating of the extension cord should be AC 115-120 volt, 15 amp. or more.

Be careful not to drape the cord over the countertop or table where it can be pulled on by children or tripped over accidentally.

NOTES:

- If you have any questions about the grounding or electrical instructions, consult a qualified electrician or service person.
- Neither Fulgor Milano nor the dealer can accept any liability for damage to the oven or personal injury resulting from failure to observe the correct electrical connection procedures.

Radio or TV Interference

Should there be any interference caused by the microwave oven to your radio or TV, check that the microwave oven is on a different electrical circuit, relocate the radio or TV as far away from the oven as feasible or check position and signal of receiving antenna.

About Your Oven

This Use and Care Manual is valuable. Read it carefully and always save it for reference.

Never use the oven without the turntable and support nor turn the turntable over so that a large dish could be placed in the oven. The turntable will turn both clockwise and counterclockwise.

ALWAYS have food in the oven when it is on to absorb the microwave energy.

When using the oven at power levels below 100%, you may hear the magnetron cycling on and off. It is normal for the exterior of the oven to be warm to the touch when cooking or reheating.

Condensation is a normal part of microwave cooking. Room humidity and the moisture in food will influence the amount of moisture that condenses in the oven. Generally, covered foods will not cause as much condensation as uncovered ones. Vents on the oven back must not be blocked.

The oven is for food preparation only. It should not be used to dry clothes or newspapers.

Your oven is rated 1100 watts by using the IEC Test Procedure. In using recipes or package directions, check food a minute or two before the minimum time and add time accordingly.

About Utensils and Coverings

It is not necessary to buy all new cookware. Many pieces already in your kitchen can be used successfully in your new microwave oven. Make sure the utensil does not touch the interior walls during cooking.

Use these utensils for safe microwave cooking and reheating:

- glass ceramic (Pyroceram®), such as Corningware®.
- heat-resistant glass (Pyrex®)
- microwave-safe plastics
- paper plates
- microwave-safe pottery, stoneware and porcelain
- browning dish (Do not exceed recommended preheating time. Follow manufacturer's directions.)

These items can be used for short time reheating of foods that have little fat or sugar in them:

- wood, straw, wicker

Do Not Use

- metal pans and bakeware
- dishes with metallic trim
- non-heat-resistant glass
- non-microwave-safe plastics (margarine tubs)
- recycled paper products
- brown paper bags
- food storage bags
- metal twist-ties

Should you wish to check if a dish is safe for microwaving, place the empty dish in the oven and microwave on HIGH for 30 seconds. A dish which becomes very hot should not be used.

The following coverings are ideal:

- Paper towels are good for covering foods for reheating and absorbing fat while cooking bacon.
- Wax paper can be used for cooking and reheating.
- Plastic wrap that is specially marked for microwave use can be used for cooking and reheating. DO NOT allow plastic wrap to touch food. Vent so steam can escape.
- Lids that are microwave-safe are a good choice because heat is kept near the food to hasten cooking.
- Oven cooking bags are good for large meats or foods that need tenderizing. DO NOT use metal twist-ties. Remember to slit bag so steam can escape.

How to use aluminum foil in your microwave oven:

- Small flat pieces of aluminum foil placed smoothly on the food can be used to shield areas that are either defrosting or cooking too quickly.
- Foil should not come closer than one inch to any surface of the oven.

Should you have questions about utensils or coverings, check a good microwave cookbook or follow recipe suggestions.

Accessories There are many microwave accessories available for purchase. Evaluate carefully before you purchase so that they meet your needs. A microwave-safe thermometer will assist you in determining correct doneness and assure you that foods have been cooked to safe temperatures. Fulgor Milano is not responsible for any damage to the oven when accessories are used.

About Microwave Cooking

- Arrange food carefully. Place thickest areas towards outside of dish.
- Watch cooking time. Cook for the shortest amount of time indicated and add more as needed. Food severely overcooked can smoke or ignite.
- Cover foods while cooking. Check recipe or cookbook for suggestions: paper towels, wax paper, microwave plastic wrap or a lid. Covers prevent spattering and help foods to cook evenly.
- Shield with small flat pieces of aluminum foil any thin areas of meat or poultry to prevent overcooking before dense, thick areas are cooked thoroughly.
- Stir foods from outside to center of dish once or twice during cooking, if possible.
- Turn foods over once during microwaving to speed cooking of such foods as chicken and hamburgers. Large items like roasts must be turned over at least once.
- Rearrange foods such as meatballs halfway through cooking both from top to bottom and from the center of the dish to the outside.

- Add standing time. Remove food from oven and stir, if possible. Cover for standing time which allows the food to finish cooking without overcooking.
- Check for doneness. Look for signs indicating that cooking temperatures have been reached.

Doneness signs include:

- Food steams throughout, not just at edge.
- Center bottom of dish is very hot to the touch.
- Poultry thigh joints move easily.
- Meat and poultry show no pinkness.
- Fish is opaque and flakes easily with a fork.

About Safety

- Check foods to see that they are cooked to the United States Department of Agriculture's recommended temperatures.

TEMP	FOOD
160°F (71°C)	for fresh pork, ground meat, boneless white poultry, fish, seafood, egg dishes and frozen prepared food.
165°F (74°C)	for leftover, ready-to-reheat refrigerated, and deli and carry-out "fresh" food.
170°F (77°C)	white meat of poultry.
180°F (82°C)	dark meat of poultry.

- To test for doneness, insert a meat thermometer in a thick or dense area away from fat or bone. **NEVER** leave the thermometer in the food during cooking, unless it is approved for microwave oven use.
- **ALWAYS** use potholders to prevent burns when handling utensils that are in contact with hot food. Enough heat from the food can transfer through utensils to cause skin burns.

- Avoid steam burns by directing steam away from the face and hands. Slowly lift the farthest edge of a dish's covering and carefully open popcorn and oven cooking bags away from the face.
- Stay near the oven while it's in use and check cooking progress frequently so that there is no chance of overcooking food.
- **NEVER** use the cavity for storing cookbooks or other items.
- Select, store and handle food carefully to preserve its high quality and minimize the spread of foodborne bacteria.
- Keep waveguide cover clean. Food residue can cause arcing and/or fires.
- Use care when removing items from the oven so that the utensil, your clothes or accessories do not touch the safety door latches.

About Children and the Microwave

Children below the age of 7 should use the microwave oven with a supervising person very near to them. Between the ages of 7 and 12, the supervising person should be in the same room.

The child must be able to reach the oven comfortably; if not, he/she should stand on a sturdy stool.

At no time should anyone be allowed to lean or swing on the oven door.

Children should be taught all safety precautions: use potholders, remove coverings carefully, pay special attention to packages that crisp food because they may be extra hot.

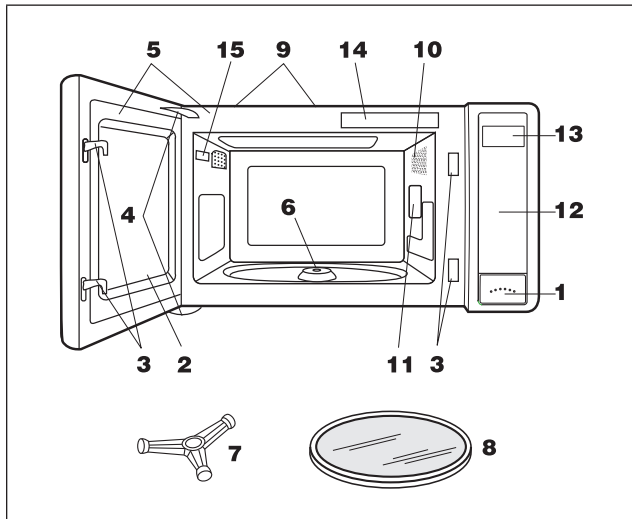
Don't assume that because a child has mastered one cooking skill he/she can cook everything.

Children need to learn that the microwave oven is not a toy. See page 19 for Child Lock feature.

About Food

FOOD	DO	DON'T
Eggs, sausages, nuts, seeds, fruits & vegetables	<ul style="list-style-type: none"> Puncture egg yolks before cooking to prevent "explosion". Pierce skins of potatoes, apples, squash, hot dogs and sausages so that steam escapes. 	<ul style="list-style-type: none"> Cook eggs in shells. Reheat whole eggs. Dry nuts or seeds in shells.
Popcorn	<ul style="list-style-type: none"> Use specially bagged popcorn for the microwave oven. Listen while popping corn for the popping to slow to 1 or 2 seconds or use special POPCORN pad. 	<ul style="list-style-type: none"> Pop popcorn in regular brown bags or glass bowls. Exceed maximum time on popcorn package.
Baby food	<ul style="list-style-type: none"> Transfer baby food to small dish and heat carefully, stirring often. Check temperature before serving. Put nipples on bottles after heating and shake thoroughly. "Wrist" test before feeding. 	<ul style="list-style-type: none"> Heat disposable bottles. Heat bottles with nipples on. Heat baby food in original jars.
General	<ul style="list-style-type: none"> Cut baked goods with filling after heating to release steam and avoid burns. Stir liquids briskly before and after heating to avoid "eruption". Use deep bowl, when cooking liquids or cereals, to prevent boilovers. 	<ul style="list-style-type: none"> Heat or cook in closed glass jars or air tight containers. Can in the microwave as harmful bacteria may not be destroyed. Deep fat fry. Dry wood, gourds, herbs or wet papers.

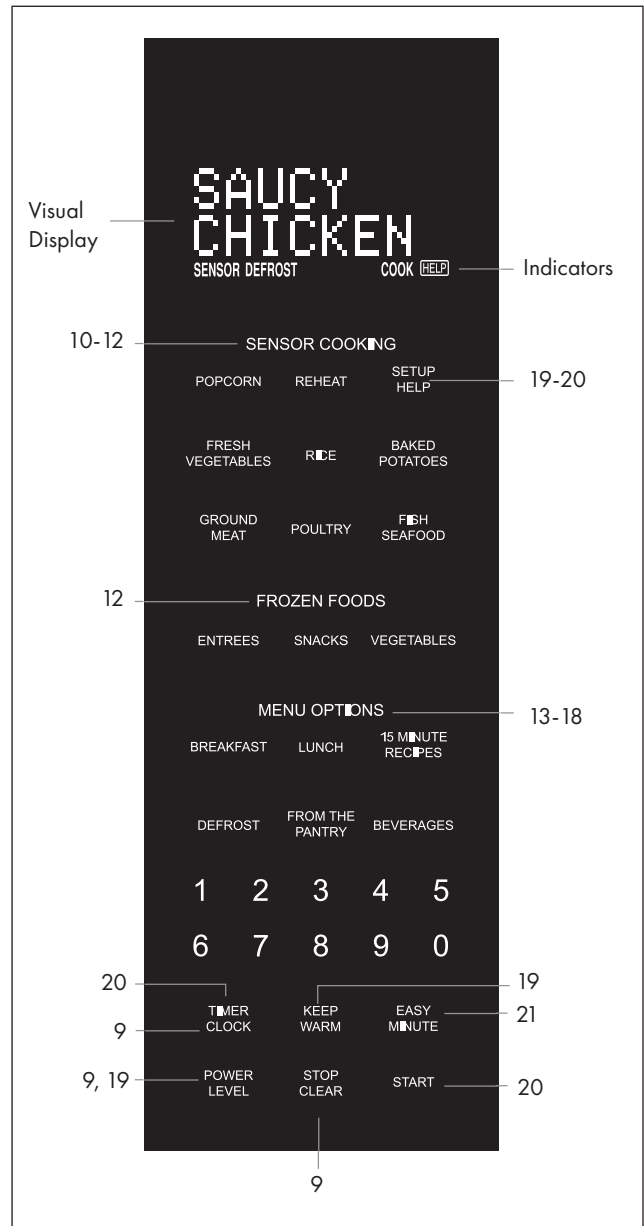
Microwave Oven Parts



- 1 One touch door open button. Push to open door.
- 2 Oven door with see-through window
- 3 Safety door latches. The oven will not operate unless the door is securely closed.
- 4 Door hinges
- 5 Door seals and sealing surfaces
- 6 Turntable motor shaft
- 7 Removable turntable support. Carefully place the turntable support in the center of the oven floor.
- 8 Removable turntable. Place the turntable on the turntable support securely. The turntable will rotate clockwise or counterclockwise. Only remove for cleaning.
- 9 Ventilation openings (Rear)
- 10 Oven light. It will light when oven is operating or door is open.
- 11 Waveguide cover: DO NOT REMOVE.
- 12 Auto-Touch control panel
- 13 Interactive display: 99 minutes, 99 seconds
- 14 Menu Options menu label
- 15 Nameplate

Control Panel

Number next to the control panel illustration indicates pages on which there are feature descriptions and usage information.



The two-line, Interactive Display spells out operating steps and shows cooking hints. When HELP is lighted in the display, touch the SETUP/HELP pad to read a specific hint which may assist you.

Before Operating

Before operating your new microwave oven make sure you read and understand this Use and Care Manual completely. Before the oven can be used, follow these procedures:

Plug in the oven. Close the door. The oven display will show: WELCOME PRESS CLEAR AND PRESS CLOCK	
STOP CLEAR	1. Touch the STOP/CLEAR pad. : will appear.
	2. Set clock.

To Set the Clock

This is a 12 hour clock. If you attempt to enter an incorrect clock time, ERROR will appear in the display. Touch the STOP/CLEAR pad and re-enter the time.

- Suppose you want to enter the correct time of day 12:30 (A.M. or P.M.).

TIMER CLOCK 2	1. Touch TIMER/CLOCK pad and number 2.
	2. Enter the correct time of day touching the numbers in sequence.
TIMER CLOCK	3. Touch TIMER/CLOCK pad again.

- If the electrical power supply to your microwave oven should be interrupted, the display will intermittently show WELCOME PRESS CLEAR AND PRESS CLOCK after the power is reinstated. If this occurs during cooking, the program will be erased. The time of day will also be erased. Simply touch STOP/CLEAR pad and reset the clock for the correct time of day.

Stop/Clear

Touch the STOP/CLEAR pad to:

- Erase if you make a mistake during programming.
- Cancel timer.
- Stop the oven temporarily during cooking.
- Return the time of day to the display.
- Cancel a program during cooking, touch twice.

Time Cooking

Your oven can be programmed for 99 minutes and 99 seconds (99.99). Always enter the seconds after the minutes, even if they are both zeros.

- Suppose you want to cook for 5 minutes at 100%.

START	1. Enter cooking time.
	2. Touch START.

To Set Power Level

There are eleven preset power levels.

Using lower power levels increases the cooking time which is recommended for foods such as cheese, milk and long slow cooking of meats. Consult cookbook or recipes for specific recommendations.

TOUCH POWER LEVEL PAD NUMBER OF TIME FOR DESIRED POWER	APPROX. % OF POWER	COMMON WORDS FOR POWER LEVELS
POWER LEVEL x 1	100%	High
POWER LEVEL x 2	90%	
POWER LEVEL x 3	80%	
POWER LEVEL x 4	70%	Medium High
POWER LEVEL x 5	60%	
POWER LEVEL x 6	50%	Medium
POWER LEVEL x 7	40%	
POWER LEVEL x 8	30%	Med Low / Defrost
POWER LEVEL x 9	20%	
POWER LEVEL x 10	10%	Low
POWER LEVEL x 11	0%	

- Suppose you want to defrost for 5 minutes at 30%.

POWER LEVEL	1. Enter defrosting time.
	2. Touch POWER LEVEL pad eight times or hold down until the desired power appears.
START	3. Touch START.
When the defrost time is complete, a long tone will sound and END will appear in the display.	

The Sensor is a semi-conductor device that detects the vapor (moisture and humidity) emitted from the food as it heats. The sensor adjusts the cooking times and power level for various foods and quantities.

Using Sensor Settings:

- After oven is plugged in, wait 2 minutes before using SENSOR COOKING.
- Be sure the exterior of the cooking container and the interior of the oven are dry. Wipe off any moisture with a dry cloth or paper towel.
- The oven works with foods at normal storage temperature. For example, popcorn would be at room temperature.
- Any SENSOR COOKING selection can be programmed with More or Less Time Adjustment. See page 19.
- More or less food than the quantity listed in the chart should be cooked following the guidelines in any microwave cookbook.
- During the first part of SENSOR COOKING, the food name will appear on the display. Do not open the oven door or touch STOP/CLEAR during this part of the cooking cycle. The measurement of vapor will be interrupted. If this occurs, an error message will appear. To continue cooking, touch the STOP/CLEAR pad and cook manually.
- When the sensor detects the vapor emitted from the food, remainder of cooking time will appear. The door may be opened when remaining cooking time appears on the display. At this time, you may stir or season food, as desired.
- If the sensor does not detect vapor properly when popping popcorn, the oven will turn off, and the correct time of day will be displayed. If the sensor does not detect vapor properly when cooking other foods, ERROR will be displayed, and the oven will turn off.
- Check food for temperature or doneness after cooking. If food is not completely cooked, enter additional cooking time manually. Do not press Sensor Cook again as food may overcook.
- Each food has a cooking hint. Touch SETUP/HELP pad when the HELP indicator is lighted in the display.

Covering Foods:

Some foods work best when covered. Use the cover recommended in the SENSOR COOKING chart for these foods.

- Casserole lid.
- Plastic wrap: Use plastic wrap recommended for microwave cooking. Cover dish loosely; allow approximately 1/2 inch (13 mm) to remain uncovered to allow steam to escape. Plastic wrap should not touch food.
- Wax paper: Cover dish completely; fold excess wrap under dish to secure. If dish is wider than paper, overlap two pieces at least one inch to cover.

Be careful when removing any covering to allow steam to escape away from you.

EXAMPLE:

You can cook many foods by simply selecting the food and touching START. You don't need to calculate cooking time or power level.

- Suppose you want to reheat canned chili.

REHEAT	1. Touch REHEAT pad.
START	2. Touch START.
When the sensor detects the vapor emitted from the food, the remainder of cooking time will appear.	

NOTE:

The FRESH VEGETABLES and POULTRY settings have 2 choices. Follow directions in the Interactive Display to choose desired option.

Sensor Cooking Chart

FOOD	AMOUNT	PROCEDURE															
Popcorn	1 package 1.5 - 3.5 oz (40 - 100 g) bag	Use only popcorn packaged for microwave oven use. Try several brands to decide which you like the best. Do not try to pop unpopped kernels. Touch POPCORN pad and then START.															
Sensor Reheat	4 - 36 oz (115 - 900 g)	Place in dish or casserole slightly larger than amount to be reheated. Flatten, if possible. Cover with lid, plastic wrap or wax paper. Use covers such as plastic wrap or lids with larger quantities of more dense foods such as stews. After reheating, stir well, if possible. Foods should be very hot. If not, continue to heat with variable power and time. After stirring, re-cover and allow to stand 2 to 3 minutes.															
Baked Potatoes	1 - 8 med.	Pierce. Place on paper-towel-lined turntable. After cooking, remove from oven, wrap in aluminum foil and let stand 5 to 10 minutes.															
Fresh Vegetables: Soft Broccoli Brussels sprouts Cabbage Cauliflower (flowerets) Cauliflower (whole) Spinach Zucchini Baked apples	.25 - 2.0 lb (115 - 900 g) .25 - 2.0 lb (115 - 900 g) .25 - 2.0 lb (115 - 900 g) .25 - 2.0 lb (115 - 900 g) 1 med. .25 - 1.0 lb (115 - 450 g) .25 - 2.0 lb (115 - 900 g) 2 - 4 med.	Wash and place in casserole. Add no water if vegetables have just been washed. Cover with lid for tender vegetables. Use plastic wrap for tender-crisp vegetables. Touch FRESH VEGETABLES, number 1 and START pads. After cooking, stir, if possible. Let stand, covered, for 2 to 5 minutes.															
Fresh Vegetables: Hard Carrots, sliced Corn on the cob Green beans Winter squash: diced halves	.25 - 1.5 lb (115 - 675 g) 2 - 4 .25 - 1.5 lb (115 - 675 g) .25 - 1.5 lb (115 - 675 g) 1 - 2	Place in casserole. Add 1 to 4 tbsp water. Cover with lid for tender vegetables. Use plastic wrap cover for tender-crisp vegetables. Touch FRESH VEGETABLES, number 2 and START pads. After cooking, stir, if possible. Let stand, covered, for 2 to 5 minutes.															
Rice	.5 - 2.0 cups (95 - 380 g)	Place rice into a deep casserole dish and add double quantity of water. Cover with lid or plastic wrap. After cooking, stir, cover and let stand 3 to 5 minutes or until all liquid has been absorbed. <table border="1" data-bbox="776 1255 1442 1440"> <thead> <tr> <th>Rice</th> <th>Water</th> <th>Size of Casserole dish</th> </tr> </thead> <tbody> <tr> <td>.5 c (95 g)</td> <td>1 c (240 ml)</td> <td>1.5 qt (1.5 L)</td> </tr> <tr> <td>1 c (190 g)</td> <td>2 c (480 ml)</td> <td>2 qt (2 L)</td> </tr> <tr> <td>1.5 c (285 g)</td> <td>3 c (720 ml)</td> <td>2.5 (2.5 L) or 3 qt (3 L)</td> </tr> <tr> <td>2 c (380 g)</td> <td>4 c (1 L)</td> <td>3 qt (3 L) or larger</td> </tr> </tbody> </table>	Rice	Water	Size of Casserole dish	.5 c (95 g)	1 c (240 ml)	1.5 qt (1.5 L)	1 c (190 g)	2 c (480 ml)	2 qt (2 L)	1.5 c (285 g)	3 c (720 ml)	2.5 (2.5 L) or 3 qt (3 L)	2 c (380 g)	4 c (1 L)	3 qt (3 L) or larger
Rice	Water	Size of Casserole dish															
.5 c (95 g)	1 c (240 ml)	1.5 qt (1.5 L)															
1 c (190 g)	2 c (480 ml)	2 qt (2 L)															
1.5 c (285 g)	3 c (720 ml)	2.5 (2.5 L) or 3 qt (3 L)															
2 c (380 g)	4 c (1 L)	3 qt (3 L) or larger															
Ground Meat	.25 - 2.0 lb (115 - 900 g)	Use this setting to cook ground beef or turkey as patties or in a casserole to be added to other ingredients. Place patties on a microwave-safe rack and cover with wax paper. Place ground meat in a casserole and cover with wax paper or plastic wrap. When oven stops, turn patties over or stir meat in casserole to break up large pieces. Re-cover and touch START. After cooking, let stand, covered, for 2 to 3 minutes.															
Poultry: Boneless	.5 - 2.0 lb (225 g - 900 g)	Use boneless breast of chicken or turkey. Cover with vented plastic wrap. Touch POULTRY, number 1 and START pads. When oven stops, rearrange. Re-cover and touch START pad. After cooking, let stand, covered, 3 to 5 minutes. Poultry should be 160 °F (70 °C).															
Poultry: Bone-In	.5 - 3.0 lb (225 g - 1.4 kg)	Arrange pieces with meatiest portions toward outside of glass dish or microwave safe rack. Cover with vented plastic wrap. Touch POULTRY, number 2 and START pads. After cooking, let stand, covered, 3 to 5 minutes. Dark meat should be 180 °F (82 °C) and white meat should be 170 °F (77 °C).															

Sensor Cooking Chart

FOOD	AMOUNT	PROCEDURE
Fish/Seafood	.25 - 2.0 lb (115 - 900 g)	Arrange in ring around shallow glass dish (roll fillet with edges underneath). Cover with vented plastic wrap. After cooking, let stand, covered for 3 minutes.
Frozen Entrees	6 - 17 oz (175 - 480 g)	Use this pad for frozen convenience foods. It will give satisfactory results for most brands. You may wish to try several and choose your favorite. Remove package from outer wrapping and follow package directions for covering. After cooking, let stand, covered, for 1 to 3 minutes.
Frozen Snacks	3 - 8 oz (85 - 225 g)	Use for frozen French fries, cheese sticks, appetizers etc. Remove from outer package. Follow package directions for how to wrap or cover. Be careful when removing from the oven as snack may be very hot.
Frozen Vegetables	.25 - 1.5 lb (115 - 675 g)	Add no water. Cover with lid or plastic wrap. After cooking, stir and let stand, covered, for 3 minutes.

Your oven has 6 convenience pads to assist with meal preparation. There are some foods in the BREAKFAST, LUNCH and 15 MINUTE RECIPES that use the sensor. See the SENSOR COOKING information on page 10. For foods not using the sensor, follow the directions in the Interactive Display to enter quantity.

Breakfast and Lunch

BREAKFAST and LUNCH are for cooking and heating popular foods that take a short amount of time.

- Suppose you want to use BREAKFAST to cook 2 servings of hot cereal.

BREAKFAST	<ol style="list-style-type: none"> 1. Touch BREAKFAST pad. 2. Select desired BREAKFAST setting by touching desired number pad. Ex: Touch number 3 pad to select hot cereal. Enter quantity. Ex: Touch number 2 pad for servings.
START	<ol style="list-style-type: none"> 3. Touch START. After cooking, follow the directions in the display.

- Heat rolls/muffins setting has 2 choices. Follow directions in the Interactive Display to choose desired option.
- BREAKFAST can be programmed with More or Less Time Adjustment. Touch the POWER LEVEL pad once or twice before touching START pad. See page 19.
- Each food has a cooking hint. Touch SETUP/HELP pad when the HELP indicator is lighted in the display.
- Should you attempt to enter more or less than the allowed amount, an error message will appear in the display.
- More or less than the quantity listed in the chart should be cooked following the guidelines in any microwave book.
- The final cooking result will vary according to the food condition (e.g. initial temperature, shape, quality, covering). Check food for temperature after cooking. If additional time is needed, continue to cook manually.

NOTE:

Breakfast Chart		* It is not necessary to enter amount or number.
FOOD	AMOUNT	PROCEDURE
Scrambled Eggs	1 - 9 eggs	For each egg, use 1 teaspoon of butter or margarine and 1 tablespoon of milk. Place butter or margarine in dish, measuring cup or casserole large enough for the egg to expand. Mix egg and milk together. Pour onto butter or margarine in dish. Place in oven and program. When audible signals are heard, stir egg mixture moving the cooked portion to the center of the dish and uncooked portion to the outside. After cooking, stir and let stand, covered, until set. Note that eggs will be slightly undercooked when removed from the oven.
Bacon	2 - 6 slices	Place bacon on paper plate, lined with paper towel. Bacon should not extend over the rim of plate. Cover with another paper towel. Allow bacon to stand a few minutes after removing from the oven to complete the cooking.
Hot Cereal	1 - 6 servings	Use individual packets or bulk cereal in your favorite variety: oatmeal, oat bran, cream of wheat, farina or wheatena. Follow package directions for the correct amount of water or milk. To prevent boilovers, it is very important to choose a large container because microwave cooking of cereal causes high boiling. When oven stops, stir and touch START. After cooking, stir and let stand, covered, for 2 minutes.
Heat Rolls/muffins	1 - 10 pcs	Use this pad to warm rolls, muffins, biscuits, bagels etc. Large items should be considered as 2 or 3 regular size. Arrange on plate: cover with paper towel.
Fresh		To warm fresh rolls and muffins, touch BREAKFAST, number 4 pad, and touch number 1 pad. Then enter desired quantity and touch START pad. For refrigerated rolls or muffins, it may be necessary to double the entered amount to ensure the proper serving temperature. For example, enter quantity of 2 for 1 refrigerated muffin.
Frozen		For frozen rolls and muffins, touch BREAKFAST pad and touch number 4 pad, then number 2 pad. Then enter desired quantity and touch START pad.
Frozen Breakfast*	1 (3 - 6 oz) (90 - 180 g)	This setting works well for frozen breakfast entrees, pancakes, waffles, burritos etc. Follow manufacturer's directions for how to prepare for microwaving. Allow to stand 1 or 2 minutes after cooking.

Lunch Chart		* It is not necessary to enter amount or number.
FOOD	AMOUNT	PROCEDURE
Meal in a cup*	1 cup (240 ml)	This setting is ideal for individual portions of canned food packed in a small microwaveable container, usually 6 to 8 ounces. Remove inner metal lid and replace outer microwaveable lid. After cooking, stir food and allow to stand 1 or 2 minutes.
Hot Dog in Buns*	1 - 4 pieces	Place hot dog in bun. Wrap each with paper towel or napkin.
Soup	1 - 8 cups (240 ml - 2 L)	Place in bowl or casserole. Cover with lid or plastic wrap. At end, stir, re-cover and let stand 1 to 3 minutes.
Microwave Pizza	1 (6 - 8 oz) (170 - 230 g)	Use for frozen microwave pizza. Remove from package and unwrap. Follow package directions for use of package and/or silver crisping disk.
Frozen Sandwich*	1 (3 - 6 oz) (90 - 180 g)	Use for frozen microwaveable sandwiches. Remove from package and follow directions for placing in the oven.

15 Minute Recipes and From the Pantry

15 MINUTE RECIPES and FROM THE PANTRY each offer five simple-to-prepare but great tasting meals. Follow the specific directions on the Recipe Card and in the Interactive Display.

- Suppose you want to use 15 MINUTE RECIPES to cook SAUCY CHICKEN.

15 MINUTE RECIPES	1. Touch 15 MINUTE RECIPES pad. Select desired setting by touching desired number pad. Ex: Touch number 1 pad to select SAUCY CHICKEN. Follow the Recipe Card for ingredients and instructions. See recipe card.
START	2. Touch START.
START	3. When the oven stops, the display will show the instruction number on the Recipe Card. Follow the instructions on the Recipe Card. Check recipe instruction 2. Touch START.
At end, the display will show the instruction number on the Recipe Card. Follow the instructions on the Recipe Card. Check recipe instructions 3.	

15 Minute Recipes (Recipes serve 6)

1. SAUCY CHICKEN

- Place in a 3 quart casserole:
 - 1 tablespoon (15 ml) oil
 - 1/2 pound (230 g) mushrooms, sliced
 - 1 onion, chopped
 - 1 tablespoon (10 g) minced garlic
- Stir well and cover. Touch 15 MINUTE RECIPES, number 1 to select SAUCY CHICKEN and then touch START.

Blend together:

 - 8 ounces (230 g) reduced fat cream cheese, softened
 - 1/4 cup (60 ml) milk

Stir into the cream cheese mixture:

 - 1 10-ounce (300 g) package of frozen peas
 - 2 cups (500 g) cooked thinly sliced chicken breast
 - Salt and pepper to taste

At pause, drain liquid from mushrooms, etc. Add cream cheese/peas/chicken mixture and stir together.

Re-cover. Touch START.
- At end, stir in 1 cup (90 g) shredded Monterey Jack cheese.
Serve on top of baked potatoes or cooked pasta.

15 Minute Recipes (Recipes serve 6)

2. HAWAIIAN PORK

- Place in a 3 quart casserole:
 - 1 tablespoon (15 ml) oil
 - 1 pound (450 g) boneless pork loin, cut into 1-inch strips, seasoned with salt and pepper

Stir well and cover. Touch 15 MINUTE RECIPES, number 2 to select HAWAIIAN PORK and then touch START.
- Combine well in a large bowl:
 - 1 cup (240 g) peach or apricot preserves
 - 1/4 cup (60 ml) barbecue sauce
 - 2 tablespoons (30 ml) soy sauce
 - 2 tablespoons (15 g) cornstarch
 - 1 cup (150 g) coarsely chopped onions

At pause, add preserves/barbecue mixture and stir together well. Re-cover. Touch START.
- At pause, add:
 - 1 8-ounce can (237 ml) sliced water chestnuts, drained
 - 1 green pepper, seeded and cut into 2-inch (51 mm) thin strips
 - 1 red pepper, seeded and cut into 2-inch (51 mm) thin strips
 - 1 20-ounce can (591 ml) pineapple chunks, drained

Stir to combine. Re-cover. Touch START.
- At end, stir again.
Serve on cooked rice.

3. FIESTA CHILI

- Place in a 3 quart (3 L) casserole:
 - 1 1/4 pounds (570 g) ground turkey
 - 1/2 cup (75 g) diced onions
 - 1/2 cup (75 g) diced red pepper

Break up turkey and stir in onions and red pepper. Cover. Touch 15 MINUTE RECIPES, number 3 to select FIESTA CHILI and then touch START.
- At pause, drain and add to the casserole:
 - 8 ounces (240 ml) chunky salsa
 - 1 11-ounce can (325 ml) of Mexican corn, drained
 - 1 15-ounce can (444 ml) chili with beans
 - 1-3 teaspoons (3-10 g) chili powder

Stir together well. Re-cover. Touch START.
- At end, stir well.
Serve over cooked rice or nacho chips. Top with 2 cups (180 g) shredded Monterey Jack or Cheddar cheese.

4. GLAZED SALMON

- Combine:
 - 1/4 cup (60 ml) orange juice concentrate
 - 2 tablespoons (30 g) honey mustard
 - 1 tablespoon (10 g) grated fresh ginger or
 - 2 teaspoons (5 g) ground ginger

Place in 7" x 11" glass casserole:
1 1/2 pounds (680 g) salmon fillet

Drizzle 1/2 of the orange mixture over top of salmon.
Cover with plastic wrap. Touch 15 MINUTE RECIPES, number 4 to select GLAZED SALMON and then touch START.
- At pause, place around edge of salmon:
 - 3 cups (450 g) broccoli florets
 - 1 red pepper, cut into thin strips

Drizzle remaining orange mixture over vegetables. Top all with 2 tablespoons toasted sesame seeds. Touch START.
- At end, allow to stand, covered, for 3 to 5 minutes.
Serve with buttered rice, pasta or potatoes garnished with parsley.

5. HEALTHY FRITTATA

- Grease 9" (229 mm) pie plate. Place in it:
 - 1/2 pound (230 g) mushrooms, sliced
 - 3/4 cup (110 g) chopped onion
 - 1 tablespoon (10 g) minced garlic
 - 1/4 pound (113 g) chopped low-fat smoked sausage

Cover with plastic wrap. Touch 15 MINUTE RECIPES, number 5 to select HEALTHY FRITTATA and then touch START.
- At pause, drain and set aside.
In a medium bowl, combine and stir together well:
 - 3 large eggs
 - 1/2 cup (110 g) nonfat sour cream
 - 1 tablespoon (10 g) Dijon mustard
 - 1/2 teaspoon (2 g) salt
 - 1/8 teaspoon (.5 g) pepper

Add and stir together:

 - 1/2 10-ounce package (140 g) frozen chopped spinach, thawed and squeezed dry
 - 1 cup (90 g) shredded Swiss cheese

Pour mixture in bowl over top of mushroom/onion/sausage mixture. Mix together carefully.
Do not cover. Touch START.
- At end, remove from oven and allow to stand for 3 to 5 minutes.
Serve with tossed salad and sliced tomatoes for brunch.

From the Pantry Recipes (Recipes serve 6)

1. BEEF WRAPS

- Place in a 2-quart (2 L) casserole:
 - 1 pound (450 g) ground beef

Break apart and cover. Touch FROM THE PANTRY, number 1 to select BEEF WRAPS and then touch START.
- At pause, drain fat and break ground beef into small pieces. Add to casserole:
 - 1 10-ounce package (283 g) frozen chopped spinach, thawed and drained
 - 1 1/2 cups (350 ml) salsa
 - 1-3 teaspoons (3-10 g) chili powder

Stir together well. Re-cover. Touch START.
- At end, stir well and place in 8 warmed corn tortillas. Top with 1 cup (90 g) shredded Cheddar cheese.

2. MEXICAN CHICKEN

- Place in layers in a 3-quart (3 L) casserole:
 - 2 cups (380 g) instant rice
 - 1 cup (240 ml) prepared fajita sauce mixed with 1/2 cup (120 ml) chicken broth or bouillon
 - 2 10-ounce (283 g) packages frozen seasoning mix (onion, peppers, parsley and celery)
 - 1 pound (450 g) boneless chicken breast, cut into 1-inch (25 mm) thin strips

Cover. Touch FROM THE PANTRY, number 2 to select MEXICAN CHICKEN and then touch START.
 - At pause, stir together being sure that chicken strips are separated and mixed into the rice/sauce. Re-cover. Touch START.
 - At end, stir.
- Serve with buttered green beans and toasted tortillas.

3. ITALIAN SALAD

- To cook pasta:
 - Place in 3-quart (3 L) casserole:
 - 6 cups (1.4 L) very hot tap water

Cover. Touch FROM THE PANTRY, number 3 to select ITALIAN SALAD and then touch START.
- At pause, add:
 - 8 ounces (230 g) tricolored rotini or fusilli pasta
 - 1 teaspoon (5 ml) salad oil

Do not cover. Touch START.
- At end, drain pasta and set aside.
 - To cook chicken:
 - Place in greased 9" (229 mm) pie plate:
 - 1 pound (450 g) boneless chicken breast, cut into 1-inch (25 mm) thin strips

Cover. Touch START.
- At pause, rearrange, moving less done pieces to the outside of the pie plate.
 - Re-cover. Touch START.
- Drain and set aside.

- To make salad:
 - Place in large salad bowl:
 - Cooked rotini or fusilli
 - Cooked chicken breast
 - 2 tomatoes, cut into eighths
 - 1/2 cup (75 g) sliced black olives
 - 1 cup (90 g) mozzarella cheese, shredded
 - 1/4 cup (40 g) red onion, chopped
 - 3/4-1 cup (180-240 ml) oil-vinegar type dressing with pesto

Toss together to coat all pieces.

Serve immediately or chill to serve later. Ideal when served with warm crusty rolls.

4. TUNA MACARONI

- To cook macaroni:
 - Place in 3-quart (3 L) casserole:
 - 6 cups (1.4 L) very hot tap water

Cover. Touch FROM THE PANTRY, number 4 to select TUNA MACARONI and then touch START.
- At pause, add:
 - 2 cups (280 g) elbow macaroni
 - 1 teaspoon (5 ml) salad oil

Do not cover. Touch START.
- At end, drain macaroni and set aside in the casserole.
 - Combine in bowl:
 - 1 can cream of celery soup
 - 1/2 cup (120 ml) milk
 - 1/2 cup (110 g) nonfat sour cream

Add to macaroni in casserole:

Soup/milk/sour cream mixture

 - 1 6 1/2-ounce can (184 g) solid white water packed tuna fish, drained and flaked
 - 1 cup (150 g) frozen peas
 - 1 cup shredded Cheddar cheese
 - Salt and pepper to taste

Stir together until well mixed. Cover. Touch START.
- At end, stir again.
 - Serve with fresh carrot sticks, tossed salad and dinner rolls.

5. GARDEN MEDLEY

- Place in a 2 1/2-quart (2.5 L) casserole:
 - 1 pound (450 g) peeled baking potatoes, cut into eighths and thinly sliced
 - 1 14 1/2-ounce can (429 ml) diced tomatoes
 - 2 teaspoons (6 g) minced garlic
 - 1 teaspoon (3 g) thyme leaves

Cover with a lid. Touch FROM THE PANTRY, number 5 to select GARDEN MEDLEY and then touch START.
- At pause, stir well and add:
 - 1 16-ounce package (450 g) frozen stir fry mixed vegetables
 - 2 cups (300 g) thinly sliced summer squash

Re-cover. Touch START.
- At end, sprinkle top with 4 ounces shredded Cheddar cheese.
 - Serve with spinach salad and chilled melon.

Defrost

DEFROST automatically defrosts all the foods found in the SUPER DEFROST and AUTO DEFROST CHARTS. Numbers 1-3 are for SUPER DEFROST that defrosts specific foods and weights very rapidly. For these choices, it is not necessary to enter weight.

Super Defrost

SUPER DEFROST rapidly defrosts specific foods and weights found in the SUPER DEFROST Chart below.

- Suppose you want to defrost 1.0 pound boneless poultry.

DEFROST	1. Touch DEFROST pad.
2 START	2. Touch the number 2 to select boneless poultry. Touch START.
START	3. The oven will stop so the food can be checked. The display will show: TURN OVER SEPARATE INTO PIECES. Close the door. Touch START.
After defrost cycle ends, follow the directions: LET STAND 3-5 MINUTES.	

NOTE:

- To defrost other foods above or below the weights allowed on the SUPER DEFROST and AUTO DEFROST CHARTS, use time and 30% power. See Manual Defrost on page 18.
- Any setting in the Defrost can be programmed with More or Less Time Adjustment. Touch the POWER LEVEL pad once or twice before touching START pad.
- Touch SETUP/HELP pad when the HELP indicator is lighted in the display for a helpful hint.
- If you attempt to enter more or less than the amount as indicated in the AUTO DEFROST chart, an error message will appear in the display.

Super Defrost Chart

* It is not necessary to enter amount.

FOOD	AMOUNT	PROCEDURE
1. Ground Meat*	1.0 lb (450 g)	At pause, turn over, removed any thawed pieces and break remainder apart. At end, let stand, covered, for 3 to 5 minutes.
2. Boneless Poultry*	1.0 lb (450 g)	At pause, turn over and separate into pieces. At end, let stand, covered, for 3 to 5 minutes.
3. Bone-in Chicken Pieces*	2.0 lb (900 g)	At pause, turn over and separate into pieces. At end, let stand, covered, for 3 to 5 minutes.

NOTE FOR SUPER DEFROST: SUPER DEFROST provides just enough defrosting that the foods can be used in recipes or for cooking. There will be some ice crystals remaining.

Auto Defrost

- Suppose you want to defrost a 2.0 pound steak, using AUTO DEFROST.

DEFROST	1. Touch DEFROST pad.
5	2. Select desired DEFROST setting by touching the desired number pad. Ex: Touch the number 5 to select steak.
2 0 START	3. Enter weight. Ex: Touch number pads 2 and 0 for 2.0 lb. Touch START.

The oven will stop so the food can be checked. The display will show: TURN FOOD OVER COVER EDGES

START	4. After the 1st stage, open the door. Turn steak over and shield any warm portions. Close the door. Touch START.
START	5. After the 2nd stage, open the door. Shield any warm portions. Close the door. Touch START.

After defrost cycle ends, cover and let stand according to the Auto Defrost chart.

Auto Defrost Chart

FOOD	AMOUNT	PROCEDURE
4. Ground Meat	.5 - 3.0 lb (225 g - 1.4 kg)	Remove any thawed pieces after each stage. Let stand, covered, for 5 to 10 minutes.
5. Steaks, Chops or Fish	.5 - 4.0 lb (225 g - 1.8 kg)	After each stage, rearrange and if there are warm or thawed portions, shield with small flat pieces of aluminum foil. Remove any meat or fish that is almost defrosted. Let stand, covered, for 10 to 20 minutes.
6. Chicken Pieces	.5 - 3.0 lb (225 g - 1.4 kg)	After each stage, rearrange pieces or remove portions should they become warm or thawed. Let stand, covered, for 10 to 20 minutes.
7. Roast	2.0 - 4.0 lb (1 - 1.8 kg)	Start defrosting with fat side down. After each stage, turn roast over and shield the warm portions with aluminum foil. Let stand, covered, for 30 to 60 minutes.
8. Casserole Soup	1 - 8 cups (240 ml - 2 L)	After audible signal, stir if possible. At end, stir well and let stand, covered, for 5 to 10 minutes.

NOTE FOR AUTO DEFROST: Check foods when oven signals. After final stage, small sections may still be icy. Let stand to continue thawing. Do not defrost until all ice crystals are thawed.

Shielding prevents cooking from occurring before the center of the food is defrosted. Use small smooth strips of aluminum foil to cover edges and thinner sections of the food.

Manual Defrost

If the food that you wish to defrost is not listed on the SUPER DEFROST or AUTO DEFROST Chart or is above or below the limits in the "Amount" column on the SUPER DEFROST or AUTO DEFROST Charts (pages 17, 18), you need to defrost manually.

You can defrost any frozen food, either raw or previously cooked, by using POWER LEVEL 3. Follow the exact 4-step procedure found under To Set Power Level. Estimate defrosting time and press POWER LEVEL eight times for 30% power.

For either raw or previously cooked frozen food, the rule of thumb is approximately 4 minutes per pound. For example, defrost 4 minutes for 1 pound of frozen spaghetti sauce.

Always stop the oven periodically to remove or separate the portions that are defrosted. If food is not defrosted at the end of the estimated defrosting time, program the oven in 1 minute increments at 30% until totally defrosted.

When using plastic containers from the freezer, defrost only long enough to remove from the plastic in order to place in a microwave-safe dish.

Beverages

BEVERAGES enables you to reheat coffee or tea to a more suitable drinking temperature or to make instant coffee or tea.

- Suppose you want to reheat 2 cups of coffee.

BEVERAGES	1. Touch BEVERAGES pad.
2	2. Select desired BEVERAGES setting by touching desired number pad. Ex: Touch number 2 pad to reheat coffee.
2 x 4	3. Enter quantity by touching same number pad 2 repeatedly. Ex: Touch number 2 pad 4 times.
START	4. Touch START.

NOTE:

- BEVERAGES can be programmed with More or Less Time Adjustment. Touch the POWER LEVEL pad once or twice after selecting the amount. See page 19.
- Touch SETUP/HELP pad when the HELP indicator is lighted in the display, for a helpful hint.
- More or less than the quantity listed in the chart should be made following the guidelines in any microwave book.

Beverage Chart

FOOD	AMOUNT	PROCEDURE
To make coffee or tea	1 - 4 cups (240 ml - 1 L)	Use this setting for heating COLD TAP WATER to a temperature somewhat below the boiling point to make instant coffee or tea. Touch number 1 pad for 1 cup (240 ml) increase per touch. Stir liquid briskly before and after heating to avoid "eruption".
To reheat beverage	.5 - 2.0 cups (120 - 480 ml)	This setting is good for restoring cooled beverage to a better drinking temperature. Touch number 2 pad for a 0.5 cup (120 ml) increase per touch. Stir after heating.

Keep Warm

KEEP WARM allows you to keep food warm up to 30 minutes. Touch the KEEP WARM pad and enter the appropriate time (up to 30 minutes). You can also program KEEP WARM with manual cooking to keep food warm continuously after cooking.

Direct Use

- Suppose you want to keep a cup of soup warm for 15 minutes.

KEEP WARM	1. Touch KEEP WARM pad. Enter desired time.
START	2. Touch START.
The oven will start automatically. The display will show 15.00 and count down. KEEP WARM will appear in the display every 10 seconds.	

With Manual Cooking

- Suppose you want to cook a cup of soup for 2 minutes at 70% and keep the soup warm for 15 minutes.

POWER LEVEL x 4	1. Enter cooking time. Touch POWER LEVEL pad 4 times for 70% power.
KEEP WARM	2. Touch KEEP WARM pad. Enter desired time.
START	3. Touch START.
The operation will start. When the cooking time is complete, a long tone will sound and KEEP WARM will start. KEEP WARM will appear in the display every 10 seconds and count down for 15 minutes.	

NOTE:

- To use KEEP WARM after previous cooking has ended, touch KEEP WARM pad within 3 minutes after cooking, closing the door or touching the STOP/CLEAR pad.
- KEEP WARM cannot be programmed with SPECIAL FEATURES.

More or Less Time Adjustment

Should you discover that you like any of the SENSOR COOKING or MENU OPTIONS (except for 15 MINUTE RECIPES and FROM THE PANTRY) settings slightly more done, touch the POWER LEVEL pad once before touching the START pad. The display will show MORE.

Should you discover that you like any of the SENSOR COOKING or MENU OPTIONS (except for 15 MINUTE RECIPES and From The Pantry) settings slightly less done, touch the POWER LEVEL pad twice before touching the START pad. The display will show LESS.

Multiple Sequence Cooking

Your oven can be programmed for up to 4 automatic cooking sequences, switching from one power level setting to another automatically.

Sometimes cooking directions tell you to start on one power level and then change to a different power level. Your oven can do this automatically.

- Suppose you want to cook roast beef for 5 minutes at 100% and then continue to cook for 30 minutes at 50%.

POWER LEVEL	1. First enter cooking time. Then touch POWER LEVEL pad for 100% power.
POWER LEVEL x 6	2. Then enter second cooking time. Touch POWER LEVEL pad 6 times for 50% power.
START	3. Touch START.

NOTE:

- If 100% is selected as the final sequence, it is not necessary to touch the POWER LEVEL pad.
- If you wish to know power level during cooking, simply touch the POWER LEVEL pad. As long as your finger is touching the POWER LEVEL, the power level will be displayed.
- KEEP WARM can be programmed continuously even if 4 cooking sequences have been set.

Setup/Help

SETUP/HELP provides 5 features which make using your oven easy because specific instructions are provided in the interactive display.

1. Child Lock

The Child Lock prevents unwanted oven operation such as by small children. The oven can be set so that the control panel is deactivated or locked. To set, touch SETUP/HELP, the number 1 and START pads. Should a pad be touched, CHILD LOCK will appear in the display. To cancel, touch SETUP/HELP and STOP/CLEAR pads.

2. Audible Signal Elimination

If you wish to have the oven operate with no audible signals, touch SETUP/HELP, the number 2 and STOP/CLEAR pads.

To cancel and restore the audible signal, touch SETUP/HELP, the number 2 and START pads.

3. Auto Start

If you wish to program your oven to begin cooking automatically at a designated time of day, follow this procedure:

- Suppose you want to start cooking a stew for 20 minutes on 50% at 4:30. Before setting, check to make sure the clock is showing the correct time of day.

SETUP HELP	1. Touch SETUP/HELP pad.
3	2. Touch number 3 pad. Enter the start time.
TIMER CLOCK	3. Touch TIMER/CLOCK pad. Enter cooking program (time followed by power level).
START	4. Touch START.

NOTE:

- Auto Start can be used for manual cooking if clock is set.
- If the oven door is opened after programming Auto Start, it is necessary to touch the START pad for Auto Start time to appear in the readout so that the oven will automatically begin programmed cooking at the chosen Auto Start time.
- Be sure to choose foods that can be left in the oven safely until the Auto Start time. Acorn or butternut squash are often a good choice.
- If you wish to know the time of day, simply touch the CLOCK pad. As long as your finger is touching the CLOCK pad, the time of day will be displayed.

4. Language/Weight Selection

The oven comes set for English and U.S. Customary Unit-pounds. To change, touch SETUP/HELP and the number 4 pads. Continue to touch the number 4 pad until your choice is selected from the table below. Then, touch START pad.

Touch number 4 pad for language and standard of weight.

NUMBER	LANGUAGE	STANDARD OF WEIGHT	DISPLAY	
Once	English	LBS	ENGLISH	LB
Twice	English	KG	ENGLISH	KG
3 times	Spanish	LBS	ESPANOL	LB
4 times	Spanish	KG	ESPANOL	KG
5 times	French	LBS	FRANCAIS	LB
6 times	French	KG	FRANCAIS	KG

5. Clock On/Off

To turn the clock display off, touch SETUP/HELP, the number 5 and STOP/CLEAR.

To cancel and restore the clock, touch SETUP/HELP, the number 5 and START.

Start

START allows you to cook at 100% power by touching the START pad continuously. START is ideal for melting cheese, bringing milk to just below boiling, etc. The maximum cooking time is 3 minutes.

- Suppose you want to melt cheese on a piece of toast.

START	1. Continuously touch START pad. The cooking time will begin counting up.
	2. When the cheese is melted to desired degree, remove finger from START pad. Oven stops immediately.

NOTE:

- Note time it takes for frequently used foods and program that time in the future.
- Touch START pad within 3 minutes after cooking, opening and closing the door or touching the STOP/CLEAR pad.
- START can only be used 3 times in a row. If more times are needed, open and close door or touch STOP/CLEAR pad.

Timer/Clock

- Suppose you want to time a 3-minute long distance phone call.

TIMER CLOCK	1. Touch TIMER/CLOCK.
1	2. Touch number 1 pad. Enter the time.
TIMER CLOCK	3. Touch TIMER/CLOCK pad. The Timer will count down.
After the timer cycle ends, the display will indicate the following message: TIMER IS FINISHED.	

NOTE:

To cancel the Timer during programming, touch the STOP/CLEAR pad.

Demonstration Mode

To demonstrate, touch TIMER/CLOCK, the number 0 and then touch START pad and hold for 3 seconds. DEMO ON DURING DEMO NO OVEN POWER will appear in the display. Cooking operations and specific special features can now be demonstrated with no power in the oven. For example, touch EASY MINUTE pad and the display will show 1.00 and count down quickly to END.

To cancel, touch TIMER/CLOCK, then the number 0 and STOP/CLEAR pads. If easier, unplug the oven from the electrical outlet and replug.

Easy Minute

Easy Minute allows you to cook for a minute at 100% by simply touching the EASY MINUTE pad. You can also extend cooking time in multiples of 1 minute by repeatedly touching the EASY MINUTE pad during manual cooking.

- Suppose you want to heat a cup of soup for one minute.



NOTE:

- To use EASY MINUTE, touch pad within 1 minute after cooking, closing the door, touching the STOP/CLEAR pad or during cooking.
- EASY MINUTE cannot be used with SENSOR COOKING, MENU OPTIONS or KEEP WARM.

Help

Each setting of SENSOR COOKING provides a cooking hint. If you wish to check, touch SETUP/HELP pad whenever HELP is lighted in the Interactive Display for these hints.

Disconnect the power cord before cleaning or leave the door open to inactivate the oven during cleaning.

Exterior

The outside surface is painted. Clean the outside with mild soap and water; rinse and dry with a soft cloth. Do not use any type of household or abrasive cleaner.

Door

Wipe the window on both sides with a damp cloth to remove any spills or splatters. Metal parts will be easier to maintain if wiped frequently with a damp cloth.

Cleaners which are marked specifically for use with stainless steel may be used for stainless steel model. Follow package directions exactly. Avoid the use of any harsh cleaners or one not marked for stainless steel use as they may stain, streak or dull the door surface.

Touch Control Panel

Care should be taken in cleaning the touch control panel. If the control panel becomes soiled, open the oven door before cleaning. Wipe the panel with a cloth dampened slightly with water only. Dry with a soft cloth. Do not scrub or use any sort of chemical cleaners. Close door and touch STOP/CLEAR pad.

Interior

Cleaning is easy because little heat is generated to the interior surfaces; therefore, there is no baking and setting of spills or spattering. To clean the interior surfaces, wipe with a soft cloth and warm water. DO NOT USE ABRASIVE OR HARSH CLEANERS OR SCOURING PADS. For heavier soil, use baking soda or a mild soap; rinse thoroughly with hot water. NEVER SPRAY OVEN CLEANERS DIRECTLY ONTO ANY PART OF THE OVEN.

Waveguide Cover

The waveguide cover is made from mica so it requires special care. Keep the waveguide cover clean to assure good oven performance. Carefully wipe with a damp cloth any food splatters from the surface of the cover immediately after they occur. Built-up splashes may overheat and cause smoke or possibly catch fire. Do not remove the waveguide cover.

Odor Removal

Occasionally, a cooking odor may remain in the oven. To remove, combine 1 cup water, grated peel and juice of 1 lemon and several whole cloves in a 2-cup glass measuring cup. Boil for several minutes using 100% power. Allow to set in oven until cool. Wipe interior with a soft cloth.

Turntable/Turntable Support

The turntable and turntable support can be removed for easy cleaning. Wash them in mild, sudsy water; for stubborn stains use a mild cleanser and non abrasive scouring sponge. They are also dishwasher-proof. Use upper rack of dishwasher. The turntable motor shaft is not sealed, so excess water or spills should be wiped up immediately.

AC Line Voltage:	Single phase 120V, 60Hz, AC only
AC Power Required:	1500 watts, 13.0 amps.
Output Power:*	1100 watts
Frequency:	2450 MHz
Outside Dimensions:	24"(W) x 13 ³ / ₈ "(H) x 19 ¹ / ₄ "(D) / 61 cm (W) x 34 cm (H) x 49 cm (D)
Cavity Dimensions:	17 ³ / ₈ "(W) x 10 ¹ / ₂ "(H) x 18 ⁵ / ₈ "(D) / 44.13 cm (W) x 26.67 cm (H) x 47.31 cm (D)
Oven Capacity:***	2.0 Cu. Ft. (57 L)
Cooking Uniformity:	Turntable system, diameter 16" (40.64 cm)
Weight:	Approx. 46 lb (20.9 kg)

* The International Electrotechnical Commission's standardized method for measuring output wattage. This test method is widely recognized.

** Internal capacity is calculated by measuring maximum width, depth and height. Actual capacity for holding food is less.

In compliance with standards set by:

FCC – Federal Communications Commission Authorized.

DHHS – Complies with Department of Health and Human Services (DHHS) rule, CFR, Title 21, Chapter I, Subchapter J.

 – This symbol on the nameplate means the product is listed by Underwriters Laboratories, Inc. for use in USA or Canada.

Please check the following before calling for service:

Place one cup of water in a glass measuring cup in the oven and close the door securely.

Operate the oven for one minute at HIGH 100%.

Yes _____ No _____ Does the oven light come on?

Yes _____ No _____ Does the cooling fan work? (Put your hand over the rear ventilating openings.)

Yes _____ No _____ Does the turntable rotate? (It is normal for the turntable to turn in either direction.)

Yes _____ No _____ Is the water in the oven warm?

If "NO" is the answer to any of the above questions, please check electrical outlet, fuse and/or circuit breaker. If they are functioning properly, CONTACT YOUR NEAREST FULGOR MILANO AUTHORIZED SERVICER.

A microwave oven should never be serviced by a "do-it-yourself" repair person.

NOTE: If time appearing in the display is counting down very rapidly, check Demonstration Mode on page 20 and cancel.

Warranty Class	Description of warranty coverage
0	Doors, handles, glass, product frames, racking, interior and exterior surfaces are covered by a limited 30-day parts-only warranty for cosmetic defects proven to have originated from the factory. It is the responsibility of the owner to inspect the product and report any such claims within this 30 day period.
1	1 year parts and labor
2	2 years parts and labor
5	5 years parts and labor on the following sealed system components only: compressor, condenser, evaporator, dryer and connective tubing
5P	5 years parts only on the following sealed system components only: compressor, condenser, evaporator, dryer and connective tubing
12p	12 years parts only on the following sealed system components only: compressor, condenser, evaporator, dryer and connective tubing



Register your product online

Product Class	Applicable warranties		
	F4 Series	F6 Series	F7 Series
Drop-in Cooktops		0,2	
Built-in Ovens (including Speed and Steam), Coffee Machines and Warming Drawers		0,2	
Range Tops		0,2	
Microwaves	0,1	0,2	
Freestanding Ranges		0,2	
Dishwashers (Cleaning)	0,1	0,2	
Refrigeration and Wine Coolers	0,1	0,2,5p	0, 2, 5, 12p
Ventilation Hoods		0,2	

For proof of warranty, please retain the original purchase invoice and the delivery slip.

To obtain service under these warranties you must:

1. Contact Fulgor-Milano Authorized Service for North America:



Online at <https://www.fulgor-milano.com/us/en/assistance>
By toll free number at 1-855-4-FULGOR (1-855-438-5467)

2. Provide a copy of your original sales receipt along with model number and serial number information for the product.
3. Provide Fulgor Milano reasonable opportunity to investigate the claim before the Product or any component of the Product has been modified or removed.

TERMS APPLICABLE TO THESE WARRANTIES

All applicable warranties for each class run concurrently. In accordance to the applicable warranty class, Fulgor Milano currently covers all parts and / or labor to repair or replace, under normal residential use, any part of the product proving to be defective in material or workmanship as a result of the original manufacturing process.

These warranties is valid only in the contiguous states of the U.S.A. including the District of Columbia and Alaska and the country of Canada. These warranties apply to the original purchaser only and are non-transferable. All service provided by Fulgor Milano under the applicable warranty must be performed by a Fulgor Milano authorized servicer unless otherwise specified in writing by Fulgor Milano. Service will be provided during the regular business hours of each specific region.

These warranties apply only to products purchased from an authorized dealer through an approved distribution chain and which are installed for normal residential use and do not apply to commercial use or use on yachts. These warranties only cover service performed at the location of product installation and will not cover costs associated with repairing off-site unless expressly authorized by Fulgor Milano nor does it cover the travel costs associated with providing service to remote locations. Remote locations are defined as being outside of a 50 mile (80 kilometre) radius from any authorized 'brick and mortar' dealer. These warranties do not cover any parts or labor needed to correct any defect caused by negligence, transport, delivery, improper voltage or accident or improper use, maintenance, installation, service or repair, including but not limited to improper removal and reinstallation of any component of the product (ie. removing handles to fit through doors) prior to or during product delivery / installation. The remedies described herein are the only ones which Fulgor Milano will provide, either under these warranties or under any warranty arising by operation of law. Fulgor Milano will not be responsible for content loss due to spoilage, freezing or burning nor for consequential damages to surrounding cabinetry, construction materials or finishing materials such as but not limited to flooring. Fulgor Milano will not

be responsible for any consequential or incidental damages arising from the breach of these warranties or any other warranties, whether express, implied or statutory.

The warranty will be valid and effective only upon presentation of the document stating the purchase date of the appliance, and more specifically of the relevant invoice, proof of purchase or equivalent document showing the name of the seller, the delivery date and the identification data of the appliance (such as; model number and serial number). In the case of new product being included in the purchase of new residential construction; these warranties apply to the original resident of the location containing the Fulgor Milano product and warranty coverage will begin on the date of occupancy of the residence (proof of occupancy required) to a maximum additional six months from the date of delivery of the product by the development company from the distributor or dealer. This extension does not apply to the Class 0 cosmetic warranty.

These warranties are only valid where the difference between the purchase date and the production date of the product is less than eighteen months. Any product which has been warehoused for more than this period will only be covered by Fulgor Milano's B-Stock warranty.

During the warranty period Fulgor Milano reserves the right to evaluate the opportunity to repair the appliance or, at their discretion, offer to replace it with a Fulgor Milano product of equivalent features and functionality but cannot guarantee that the exact model will still be available. Fulgor Milano reserves the right to revise these warranties at any time.

Some states do not allow the exclusion or limitation of incidental or consequential damages so the above limitation or exclusion may not apply to you. These warranties give you specific legal rights and you may also have other rights which vary from state to state.

*Replacement light bulbs / LEDs are only covered under the terms of the Class 0, 30 day cosmetic warranty.

TABLE DES MATIÈRES	PAGE
PRÉCAUTIONS POUR ÉVITER LE RISQUE D'UNE EXPOSITION AUX MICRO-ONDES	1
1 - Importantes Consignes de Sécurité	2
2 - Directives d'installation	3-4
Du déballage et d'examiner votre four à micro-ondes	3
Choisir un emplacement pour votre four à micro-ondes s'il est encastrable	3
Instructions pour la mise à la terre	4
Installation électrique	4
Rallonge	4
Interférence radio ou télévision	4
3 - Ce Que Vous Devez Savoir	5-7
Le four à micro-ondes	5
À propos des ustensiles et des moyens de couvrir les aliments	5
À propos de la cuisson aux micro-ondes	5
Signes de cuisson sont:	6
À propos de la sécurité	6
À propos des enfants et du micro-onde	6
À propos des aliments	7
4 - Nom des Pièces	8
Pièces du four à micro-onde	8
Tableau de commande	8
5 - Avant l'usage	9
Avant l'usage	9
Réglage de l'horloge	9
Arrêt/annulation	9
Temps de cuisson	9
Le réglage du niveau de puissance	9
6 - Sensor cooking (Capteur cuisson)	10-12
Utilisation des réglages du capteur	10
Manières de couvrir les aliments	10

TABLE DES MATIÈRES	PAGE
7 - Menu Options (Options du repas)	13-20
Breakfast et Lunch	13
15 Minute Recipes et From the Pantry	15
From the Pantry Recipes	16
Décongélation	18
Décongélation Manuelle	19
Beverages (Boissons)	20
8 - Autres Particularités Pratiques	21-23
Réchaud	21
Aide - sur l'afficheur	21
Séquence de cuisson multiple	21
Réglages des temps de cuisson en plus ou en moins	21
Setup/Help (Aide)	22
Start (Démarrer)	22
Mode de démonstration	23
Easy Minute (Minute Facile)	23
Timer/Clock (Minuterie/l'horloge)	23
9 - Nettoyage et Entretien	24
Autres surfaces extérieure	24
Porte	24
Tableau de commandes	24
Autres parois intérieures	24
Couvercle du guide d'ondes	24
Désodorisation	24
Plateau tournant et support de plateau tournant	24
10 - Fiche Technique	25
11 - Appel de service	26
12 - GARANTIE Fulgor Milano pour l'électroménager	27

PRÉCAUTIONS POUR ÉVITER LE RISQUE D'UNE EXPOSITION AUX MICRO-ONDES

- Ne pas essayer de faire fonctionner ce four lorsque que la porte est ouverte, car le fonctionnement avec la porte ouverte pourrait entraîner une exposition dangereuse aux micro-ondes. Il est important que le système de fermeture de sûreté ne soit pas désamorcé ou modifié.
- Ne placer aucun objet entre le cadre et la porte du four et ne pas laisser de saleté ou de traces de produits de nettoyage s'accumuler sur les surfaces d'étanchéité.
- Ne pas utiliser le four s'il est endommagé. Il est particulièrement important que la porte ferme correctement et que les éléments suivants ne présentent pas de défauts : (1) porte (gauchie), (2) charnières et verrous (brisés ou desserrés), (3) joints et surfaces d'étanchéité de la porte.
- Le four ne doit être réglé ou réparé que par du personnel d'entretien qualifié.

Lors de l'utilisation l'appareil, il faut prendre des mesures de sécurité élémentaires, y compris les suivantes :

AVERTISSEMENT - Pour réduire le risque de brûlures, de choc électrique, de blessures personnelles et d'exposition excessive à l'énergie micro-onde :

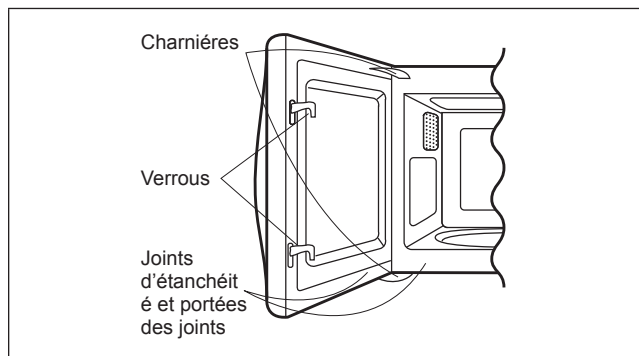
1. Lire toutes les directives avant d'utiliser l'appareil.
2. Lire et suivre expressément les « PRÉCAUTIONS POUR ÉVITER LE RISQUE D'UNE EXPOSITION AUX MICRO-ONDES », page 1.
3. Installer cet appareil uniquement selon les directives d'installation fournies.
4. Certains produits comme les œufs entiers ou des contenants scellés —par exemple, des bocaux fermés— exploseront et ne doivent pas être chauffés au l'appareil.
5. N'utiliser cet appareil que pour l'usage prévu comme décrit dans ce manuel. Ne pas utiliser de produits chimiques ou de vapeurs corrosives dans cet appareil. Cet appareil est spécifiquement conçu pour chauffer, cuire ou sécher de la nourriture. Il n'a pas été conçu pour un usage industriel ou de laboratoire.
6. Comme tout appareil, une surveillance attentive est nécessaire quand des enfants l'utilisent.
7. Ne pas faire fonctionner cet appareil si son cordon ou sa fiche sont endommagés, s'il ne fonctionne pas correctement ou s'il a été endommagé ou est tombé.
8. Seul un personnel qualifié doit réparer cet appareil. Communiquer avec le réparateur Fulgor Milano autorisé le plus proche pour une inspection, une réparation ou in réglage.
9. Ne couvrir ou bloquer aucune ouverture de cet appareil.
10. Ne pas ranger ou utiliser cet appareil à l'extérieur. Ne pas utiliser ce produit près de l'eau —par exemple, près d'un évier de cuisine, dans un sous-sol humide, près d'une piscine ou autre endroit semblable.
11. Ne pas immerger le cordon ou la prise dans l'eau.
12. Tenir le cordon loin des surfaces chauffées. Ne pas laisser pendre le cordon de la table ou du comptoir. Voir les instructions pour le nettoyage de la surface de la porte à la page 24.
13. Pour réduire le risque d'incendie dans la cavité du l'appareil:
 - a) Ne pas trop faire cuire les aliments. Rester prudemment près du four lorsqu'on utilise du papier, du plastique ou tout autre matériel combustible pour faciliter la cuisson.
 - b) Retirer les attaches de métal des sacs de papier ou de plastique avant de mettre les sacs au four.
 - c) **Si les matériaux à l'intérieur du l'appareil prennent feu, garder la porte du four fermée, arrêter le four et couper l'électricité au fusible ou au panneau d'entrée.**
 - d) Ne pas utiliser la cavité comme espace de rangement. Ne laisser ni papier, ni ustensiles de cuisson, ni aliments dans l'appareil lorsque l'appareil n'est pas utilisé.
14. Des liquides comme l'eau, le café ou le thé peuvent chauffer au-delà du point d'ébullition sans qu'aucun bouillonnement n'apparaisse à cause de la tension de surface du liquide. Ainsi, quand le contenant est retiré du l'appareil, il peut ne pas y avoir d'ébullition ou de bouillonnement apparents. **IL PEUT EN RÉSULTER UN DÉBORDEMENT DES LIQUIDES TRÈS CHAUDS LORSQU'UNE CUILLEUR OU UN AUTRE USTENSILE EST PLONGÉ DANS LE LIQUIDE.** Pour réduire le risque de blessures personnelles :
 - a) Ne pas trop chauffer le liquide.
 - b) Remuer le liquide et avant de le chauffer et à mi-cuisson.
 - c) Ne pas utiliser de contenants à bords droits et à goulot mince. Utiliser un bocal à large goulot.
 - d) Après le chauffage, laisser reposer le contenant dans le four à l'appareil pour au moins 20 secondes avant de le retirer.
 - e) Faire très attention lorsque vous mettez une cuiller ou un autre ustensile dans le contenant.
15. Si le four est installé encastré, suivre les instructions suivantes :
 - a) Ne pas monter ce four au-dessus d'un évier.
 - b) Ne rien ranger directement au-dessus de la surface de l'appareil lorsque celui-ci est en marche.
16. Si la lumière du four ne s'allume pas, communiquer avec un bureau de service Fulgor Milano autorisé.

LIRE ET CONSERVER CES DIRECTIVES

Du déballage et d'examiner votre four à micro-ondes

Retirer tous les matériaux d'emballage qui se trouvent à l'intérieur de la cavité du four; cependant, **NE PAS ENLEVER LE COUVERCLE DU GUIDE D'ONDES** qui se trouve sur la paroi droite de la cavité du four. Lire les pièces jointes et **CONSERVER** le manuel d'utilisation.

Retirez l'autocollant, s'il en existe un, de l'extérieur de la porte.



Retirer l'étiquette des caractéristiques, s'il y en a une. Vérifier que le four n'a subi aucun dommage, en particulier que la porte n'est ni tordue ni décentrée, que les joints et les surfaces d'étanchéité ne sont pas endommagés, que les charnières et les verrous ne sont pas brisés ou desserrés et que la porte ou l'intérieur de la cavité ne porte aucune trace de coups. Si on constate quelque dommage que ce soit, ne pas faire fonctionner le four et communiquer avec le détaillant ou un BUREAU DE SERVICE FULGOR MILANO AUTORISÉ.

Choisir un emplacement pour votre four à micro-ondes sur le compteur

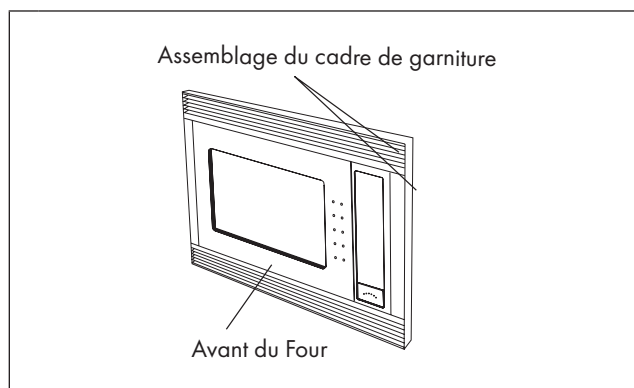
Un four étant un appareil d'usage fréquent, il est conseillé de choisir un emplacement commode. Dans la mesure du possible, prévoir un plan de travail à côté du four. Il faut prévoir un espace d'au moins 5 cm de chaque côté, au-dessus et à l'arrière du four pour la circulation d'air.

Choisir un emplacement pour votre four à micro-ondes s'il est encastrable

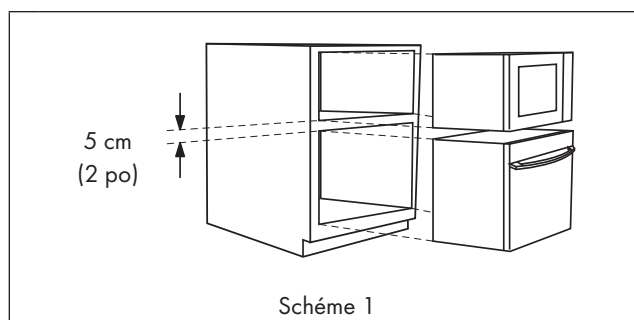
Votre four à micro-ondes peut être encastré dans une armoire ou sur un mur en utilisant le kit d'encastrement Fulgor Milano.

Votre four peut être installé dans une armoire, sur un mur ou au-dessus d'un four électrique mural ou un tiroir chauffe-plat en utilisant le kit d'encastrement Fulgor Milano's F4TK30MWO.

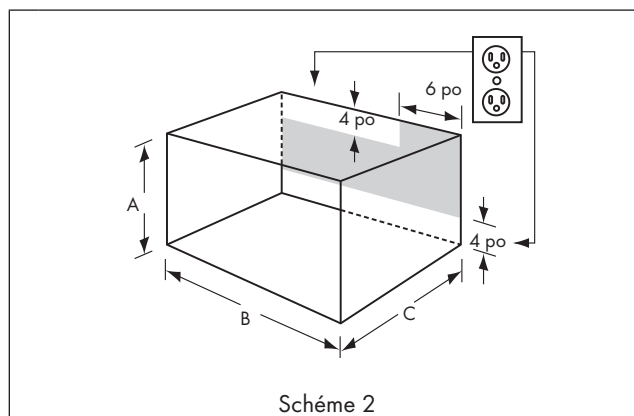
Votre four à micro-ondes ne peut être encastré au-dessus d'un four gaz mural.



Voir schéma 1 pour un bon emplacement quand on encastre au-dessus du four mural spécifié. Suivre soigneusement les directives d'installation de four mural et celles pour l'encastrement d'Fulgor Milano. S'assurer que le dégagement entre le four mural et le four à micro-ondes est d'au moins 5 cm (2 po).



L'ouverture dans le mur ou l'armoire doit se conformer aux dimensions suivantes :



- A Hauteur : 42,5 cm (16³/₄ po) à 43,2 cm (17 po)
B Largeur : 61,9 cm (24³/₈ po) à 62,7 cm (24¹¹/₁₆ po)
C Profondeur : minimum 50,8 cm (20 po)

La prise ne doit PAS être située dans la zone ombrée indiquée sur schéma 2. Si la dimension de profondeur (C) est plus grande que 53,3 cm (21 po), l'emplacement de la prise peut par contre être n'importe où sur la cloison arrière.

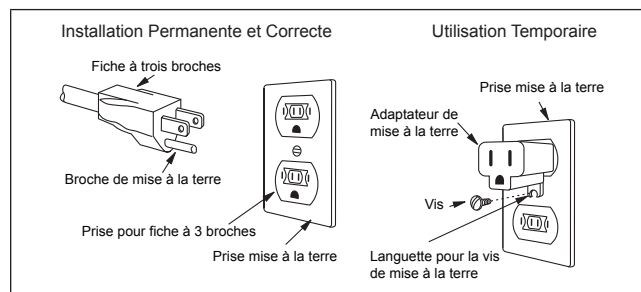
Le plancher de l'ouverture doit être constitué de contreplaqué suffisamment solide pour supporter le poids du four et de la charge du plancher (environ 45 kg/100 lb). Le plancher doit être d'aplomb pour un bon fonctionnement du four. Assurez-vous du respect des normes locales de construction qui peuvent exiger que la niche soit fermée par des cloisons au-dessus, au fond et sur les côtés. Cette enveloppe n'est pas nécessaire pour le fonctionnement du four.

Le kit comprend toutes les pièces nécessaires et les instructions faciles à suivre pour l'installation ainsi que pour l'emplacement du bloc d'alimentation.

La facilité de montage de ces kits permettra l'installation dans une ouverture murale existante en moins d'une heure si la prise de courant est correctement située. Tout sera fait en quatre étapes à l'aide d'un tournevis Phillips.

Instructions pour la mise à la terre

Cet appareil doit être mis à la terre. Ce four est équipé d'un cordon d'alimentation avec fil de mise à la terre, et d'une fiche de mise à la terre. Il faut le brancher dans une prise murale qui a été installée correctement et mise à la terre selon le Code national de l'électricité et les codes et décrets locaux. En cas de court-circuit électrique, la mise à la terre réduit les risques de choc électrique en permettant au courant de s'échapper par le fil de mise à la terre.



MISE EN GARDE – Un mauvais usage de la prise de terre peut causer des décharges électriques.

Installation électrique

La tension d'alimentation est 120 volts, 60 Hz, CA seulement, 15 A ou plus et doit être protégée. Il est recommandé d'alimenter le four par un circuit séparé.

Le four est équipé d'une fiche de terre à trois broches. Il faut la brancher dans une prise murale correctement installée et mise à la terre. Si vous ne possédez que des prises à deux broches, demandez à un électricien de métier d'installer une prise murale qui convienne.

Un adaptateur à trois broches peut être utilisé temporairement si les codes électriques locaux le permettent. Suivre les instructions fournies sur l'emballage.

Le cordon d'alimentation est court pour éviter qu'on ne s'y empêtre ou qu'on tombe.

Rallonge

Si une rallonge est nécessaire, utiliser une rallonge à trois fils munie d'une fiche de terre à trois broches et d'une prise à trois fentes qui accepte la fiche du four à micro-ondes. La puissance nominale de la rallonge doit être de 115-120 volts CA, 15 ampères ou plus.

Faire attention de ne pas laisser dépasser le cordon du comptoir ou de la table, pour éviter que des enfants ne tirent dessus ou que quelqu'un ne s'y empêtre et tombe.

REMARQUES :

- Pour toute question à propos de l'installation électrique ou de la mise à la terre, consulter un électricien de métier ou un réparateur qualifié.
- Ni Fulgor Milano ni le détaillant ne peuvent être tenus responsables des dommages au four ou des blessures causés par une installation qui ne répond pas aux normes.

Interférence radio ou télévision

Si le four à micro-ondes provoque de l'interférence avec la radio ou la télévision, vérifier qu'il est branché sur un circuit électrique indépendant, en éloigner la radio ou la télévision le plus possible et vérifier la position et le signal de l'antenne de réception.

Le four à micro-ondes

Ce manuel de fonctionnement est précieux. Lisez-le attentivement et toujours le conserver pour référence.

Ne JAMAIS se servir du four sans le plateau tournant et le support. Ne pas installer le plateau tournant à l'envers pour faire entrer dans le four un plat de grandes dimensions. Le plateau tourne dans les deux sens.

S'assurer à ce qu'il y ait TOUJOURS des aliments dans le four lorsqu'il est allumé, de sorte qu'ils absorbent l'énergie produite.

Quand on utilise le four à des niveaux de puissance inférieurs à 100 %, on peut entendre la mise en marche et l'arrêt du magnétron. Il est normal que l'extérieur du four soit chaud au toucher pendant la cuisson ou le réchauffement.

La condensation est un phénomène normal pendant la cuisson au four à microondes.

L'humidité ambiante et la teneur en eau des aliments déterminent le degré de condensation à l'intérieur du four. En règle générale, les aliments couverts produisent moins de condensation que les aliments cuits à découvert. Veiller à ce que les événements à l'arrière du four soient toujours dégagés.

Ce four est conçu seulement pour la préparation des aliments. Il ne doit pas être utilisé pour sécher des vêtements ou des journaux.

La puissance de ce four est de 1 100 watts calculée par la méthode d'essai CEI. Vérifier la cuisson des aliments une minute ou deux avant la fin de la période minimum de cuisson indiquée sur les recettes et les emballages et, s'il y a lieu, augmenter le temps de cuisson.

À propos des ustensiles et des moyens de couvrir les aliments

Il n'est pas nécessaire d'acheter une nouvelle batterie de cuisine. La plupart des ustensiles de votre cuisine peuvent être utilisés dans votre nouveau micro-onde. S'assurer que les ustensiles ne touchent pas les parois intérieures pendant la cuisson.

Se servir de ces ustensiles pour cuire et réchauffer sans danger aux micro-ondes :

- La vitrocéramique (Pyroceram®), comme Corningware®.
- Le verre résistant à la chaleur (Pyrex®)
- Les plastiques pour micro-ondes
- Les assiettes en papier pour micro-ondes
- La céramique, la poterie, la porcelaine pour micro-ondes
- Les plats à brunir (ne pas dépasser pas les temps de préchauffage recommandés. Suivre les directives du fabricant).

Les articles suivants peuvent être utilisés pour le réchauffage très court des aliments qui contiennent peu de sucre ou de graisses :

- Le bois, la paille et l'osier

Ne pas utiliser

- De casseroles et de plats de cuisson métalliques
- De plats à bordure métallique
- Du verre qui ne résiste pas à la chaleur
- De plastiques ne convenant pas aux micro-ondes (contenants de margarine)
- De produits en papier recyclé
- De sacs en papier brun
- De sacs pour la conservation des aliments
- D'attaches métalliques

Pour vérifier si un plat va au four à micro-ondes, le placer dans le four et mettre le four en marche à la puissance maximale pendant 30 secondes. Si le plat devient très chaud, il ne faut pas l'employer.

Les articles suivants sont idéals pour couvrir :

- Les essuie-tout conviennent bien pour recouvrir les aliments pendant le réchauffage et pour absorber la graisse de cuisson du bacon.
- Le papier ciré peut être employé pour la cuisson et le réchauffage.
- Le film plastique destiné spécialement à l'usage du micro-onde peut être utilisé pour la cuisson et le réchauffage. Le film plastique ne doit JAMAIS entrer en contact avec les aliments. Faire une ouverture pour laisser la vapeur s'échapper.
- Les couvercles pour micro-ondes sont un très bon choix, car ils concentrent la chaleur sur les aliments et accélèrent la cuisson.
- Les sacs de cuisson au four conviennent pour les grosses pièces de viande ou les aliments à attendre. NE PAS SE SERVIR d'attaches métalliques. Ne pas oublier de percer le sac pour laisser s'échapper la vapeur.

Pour toute question concernant les ustensiles ou la manière de couvrir les aliments, consulter un bon livre de cuisine spécialisé en micro-ondes ou suivre les conseils de la recette.

ACCESSOIRES : De nombreux accessoires pour four à micro-ondes sont offerts sur le marché. Évaluer soigneusement vos besoins avant d'en faire l'acquisition. Un thermomètre pour micro-ondes permettra de vérifier la cuisson à point et de s'assurer que les aliments ont été cuits à la bonne température. Dacor n'est pas responsable des dommages au tiroir résultant de l'utilisation d'accessoires.

À propos de la cuisson aux micro-ondes

- Disposer les aliments avec soin. Placer la partie la plus épaisse des aliments vers l'extérieur du plat.
- Vérifier le temps de cuisson. Cuire les aliments pendant la plus courte période indiquée et prolonger la cuisson au besoin. Des aliments trop cuits peuvent dégager de la fumée ou prendre feu.

- Recouvrir les aliments pendant la cuisson. Selon la recette ou le livre de cuisine, utiliser un essuie-tout, du papier ciré, un film plastique allant au microondes ou un couvercle. Couvrir les aliments empêche les éclaboussures et leur permet de cuire de manière uniforme.
- Protéger les parties de viande ou de volaille très minces par des petits écrans en papier d'aluminium pour éviter qu'ils ne cuisent trop vite par rapport aux parties plus épaisses.
- Si possible, remuer les aliments de l'extérieur du plat vers le centre une ou deux fois pendant la cuisson.
- Retourner les aliments comme du poulet et des galettes de viande une fois au cours de la cuisson afin d'accélérer le processus. Il faut retourner les grosses pièces comme les rôtis au moins une fois.
- Au milieu de la cuisson, déplacer les aliments comme les boulettes de viande, de l'intérieur du plat vers l'extérieur, et du haut vers le bas.
- Prévoir du temps de repos. Retirer les aliments du four et, si possible, les remuer. Couvrir les aliments pendant ce temps pour leur permettre de finir de cuire.
- Vérifier la cuisson. Rechercher les signes qui indiquent que les aliments sont cuits à point.

Signes de cuisson sont :

- La vapeur s'élève de toute la surface des aliments, pas seulement des bords.
- Les cuisses de poulet se détachent facilement.
- La viande et la volaille ne présentent plus de parties rosées.
- Le poisson est opaque et se défait facilement à la fourchette.

À propos de la sécurité

- Inspecter les aliments pour voir s'ils ont été cuits aux températures recommandées par le ministère de l'agriculture des États-Unis.

TEMP	AILMENT
71°C (160°F)	Pour le porc frais, la viande hachée, le blanc de poulet désossé, le poisson, les fruits de mer, les œufs frais et les aliments préparés surgelés.
74°C (165°F)	Pour les restes, les aliments réfrigérés prêts-à-réchauffer, et les aliments frais d'un traiteur ou l'équivalent.
77°C (170°F)	Les blancs de volaille.
82°C (180°F)	La viande brune de volaille.

- Pour vérifier si les aliments sont cuits à point, insérer un thermomètre à viande dans un endroit épais, à l'écart de la graisse et des os. Ne JAMAIS laisser le thermomètre dans les aliments qui cuisent, sauf s'il est approuvé pour emploi aux micro-ondes.
- TOUJOURS utiliser des gants isolants pour éviter des brûlures lorsque l'on se sert d'ustensiles en contact avec des aliments chauds. Assez de chaleur des aliments peut être transféré aux ustensiles pour provoquer des brûlures de la peau
- Diriger la vapeur loin du visage et des mains afin d'éviter des brûlures. Soulever doucement la partie la plus éloignée des couvercles et des pellicules et ouvrir lentement les sacs de maïs soufflé ou de cuisson en les tenant loin du visage.
- Rester près du four quand il fonctionne et vérifier fréquemment la cuisson afin d'éviter de trop cuire les aliments.
- Ne JAMAIS entreposer des livres de cuisine ou autres objets dans la cavité du four.
- Choisir, entreposer et manipuler la nourriture de manière à préserver sa qualité et de minimiser la prolifération de bactéries alimentaires.
- Garder propre le couvercle du guide d'ondes. Les résidus d'aliments peuvent causer des étincelles ou s'enflammer.
- Retirer les aliments du four en prenant soin de ne pas toucher le système de fermeture de sûreté de la porte avec des ustensiles, ses vêtements ou les accessoires.

À propos des enfants et du micro-onde

Les enfants de moins de 7 ans ne devraient utiliser le four à micro-ondes que sous la surveillance étroite d'un adulte. Les enfants de 7 à 12 ans devraient utiliser l'appareil sous la surveillance d'un adulte se trouvant dans la même pièce qu'eux.

L'enfant doit être capable d'atteindre facilement le four; sinon, le faire monter sur un tabouret robuste et stable.

Il ne faut jamais s'appuyer ou s'accrocher à la porte du four à micro-ondes. Il faut enseigner les mesures de sécurité aux enfants : employer des gants isolants, enlever les couvercles avec précaution, faire très attention aux contenants d'aliments croustillants qui peuvent devenir très chauds.

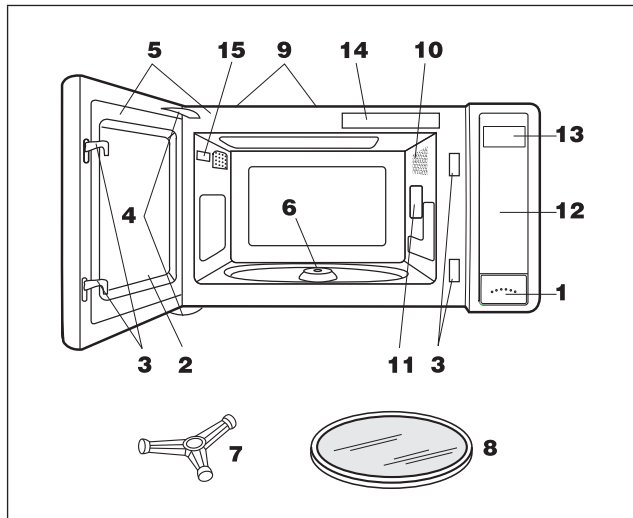
Ne pas présumer qu'un enfant qui connaît bien une fonction de l'appareil les connaît toutes.

Les enfants doivent savoir qu'un four à micro-ondes n'est pas un jouet. Voir la page 22 pour obtenir des renseignements sur le verrouillage de sécurité.

À propos des aliments

ALIMENTS	À FAIRE	À NE PAS FAIRE
Œufs, saucisses, fruits et légumes	<ul style="list-style-type: none"> • Percer les jaunes d'œufs avant la cuisson pour empêcher une « explosion ». • Percer la peau des pommes de terre, des pommes, des courges, des hot dogs et des saucisses pour que la vapeur s'échappe. 	<ul style="list-style-type: none"> • Cuire les œufs dans leur coquille • Réchauffer des œufs entiers • Sécher des noix ou des graines dans leur coquille
Maïs soufflé	<ul style="list-style-type: none"> • Utiliser du maïs soufflé en sac pour micro-onde. • Porter attention à l'éclatement du maïs pour que celui-ci ralentisse à 1 ou 2 secondes ou utiliser la touche POPCORN. 	<ul style="list-style-type: none"> • Faire éclater du maïs soufflé dans des sacs bruns ordinaires ou des bols de verre • Dépasser le temps maximal inscrit sur le paquet de maïs soufflé.
Aliments pour bébé	<ul style="list-style-type: none"> • Transférer les aliments pour bébé dans un plat plus petit et chauffer prudemment en remuant souvent. Vérifier la température avant de servir • Mettre les tétines sur les bouteilles après le réchauffage et bien agiter. Essayer sur le poignet avant de nourrir. 	<ul style="list-style-type: none"> • Chauffer les bouteilles jetables. • Chauffer les bouteilles avec les tétines. • Chauffer les aliments pour bébé dans les pots d'origine
Général	<ul style="list-style-type: none"> • Couper les aliments avec garniture après chauffage pour relâcher la vapeur et éviter les brûlures. • Remuer vivement les liquides avant et après chauffage pour empêcher une « éruption ». • Se servir d'un bol profond, pour cuire des liquides ou des céréales pour empêcher les débordements. 	<ul style="list-style-type: none"> • Chauffer ou cuire dans des pots de verre fermés ou des contenants hermétiques • Mettre en conserve dans le micro-onde car des bactéries dangereuses pourraient ne pas être détruites. • Faire frire de la graisse épaisse • Sécher du bois, des gourdes, des herbes ou des papiers humides

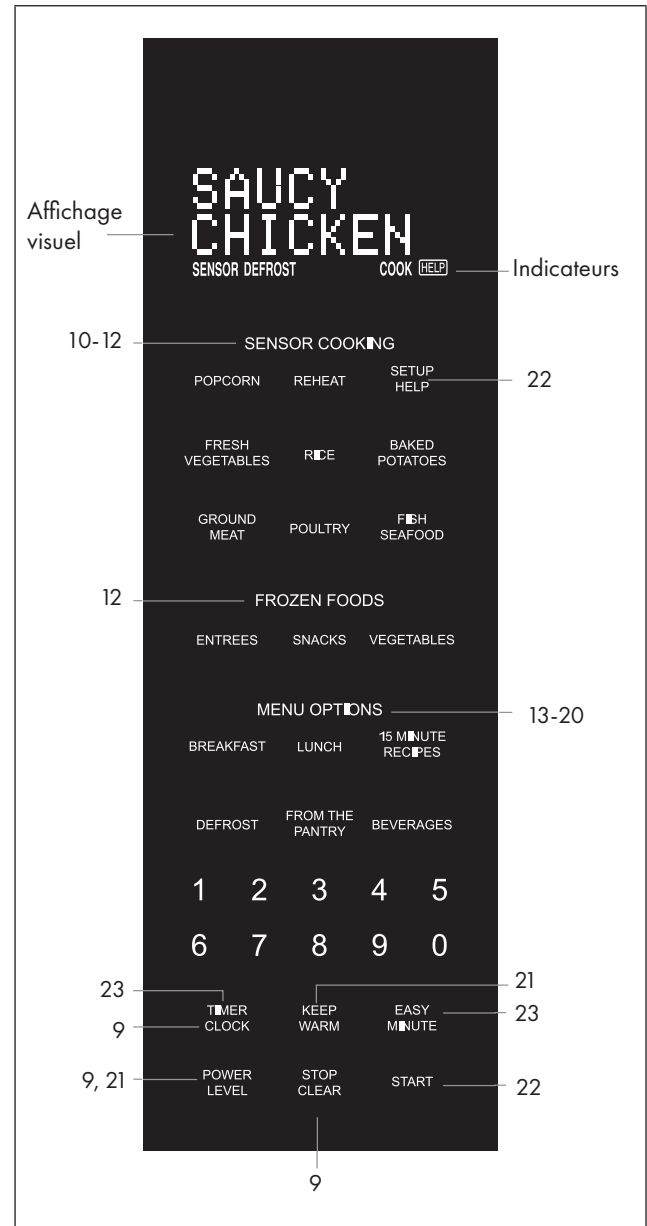
Pièces du four à micro-onde



- 1 Bouton d'ouverture de la porte. Appuyer sur ce bouton pour ouvrir la porte.
- 2 Porte du four avec hublot
- 3 Verrous de la porte. Le four ne peut pas fonctionner si la porte n'est pas parfaitement fermée.
- 4 Charnières de la porte
- 5 Joints d'étanchéité et surfaces d'étanchéité
- 6 Arbre d'entraînement du plateau tournant
- 7 Support amovible du plateau tournant. Placer soigneusement le support du plateau tournant au centre du four.
- 8 Plateau tournant. Le placer sur le support et l'arbre d'entraînement. Il peut tourner dans le sens des aiguilles d'une montre ou dans le sens inverse. Ne le retirer que pour le nettoyer.
- 9 Orifices de ventilation (arrière)
- 10 Lampe du four. Elle s'allume lorsque la porte est ouverte ou que le four est en service.
- 11 Couvercle du guide d'ondes : ne pas enlever.
- 12 Tableau de commande
- 13 Affichage interactif des temps : 99 minutes, 99 secondes
- 14 Étiquette de menu
- 15 Evaluation étiquette

Tableau de commande

Les chiffres en marge de l'illustration du tableau de commande renvoient aux pages où sont décrits les caractéristiques et les renseignements concernant le mode d'emploi.



L'afficheur interactif de deux lignes indique les étapes de fonctionnement et indique des conseils de cuisson. Lorsque HELP apparaît sur l'afficheur, appuyer sur la touche SETUP/HELP pour lire un conseil précis susceptible de vous aider.

Avant l'usage

Avant d'utiliser ce four, prendre la peine de lire intégralement ce mode d'emploi. Avant d'utiliser le four, procéder ainsi :

Brancher la fiche du cordon d'alimentation. Fermer la porte. La phrase welcome PRESS CLEAR AND PRESS CLOCK s'affiche.	
STOP CLEAR	1. Appuyer sur la touche STOP/CLEAR. L'indicatio : s'affiche.
	2. Régler l'horloge.

Réglage de l'horloge

Cette horloge a un cycle de 12 heures. En cas d'entrée d'une heure invalide, ERROR s'affichera. Appuyer sur la touche STOP/CLEAR et entrer à nouveau l'heure.

- Supposons que l'on veuille régler l'horloge à 12:30 (du jour ou de la nuit).

TIMER CLOCK 2	1. Appuyer sur la touche TIMER/CLOCK et sur 2.
	2. Entrer l'heure correcte de la journée en appuyant sur les touches numériques.
TIMER CLOCK	3. Appuyer à nouveau sur la touche TIMER/CLOCK.

- Si l'alimentation électrique du four à micro-ondes est coupée, welcome PRESS CLEAR AND PRESS CLOCK s'affichera et clignotera dès que l'alimentation sera rétablie. Si cela se produit durant la cuisson, la programmation sera effacé. L'heure aussi sera effacée. Appuyer simplement sur la touche STOP/CLEAR et remettre l'horloge à l'heure.

Arrêt/annulation

Appuyer sur la touche STOP/CLEAR pour:

- Effacer une erreur durant la programmation.
- Annuler la minuterie.
- Arrêter le micro-onde tiroir temporairement durant la cuisson.
- Afficher à nouveau l'heure.
- Annuler un programme durant la cuisson, appuyer deux fois.

Temps de cuisson

Le four peut être programmé pour 99 minutes 99 secondes (99.99). Indiquer les secondes après les minutes même si le nombre de secondes est égal à zéro.

- Par exemple, cuisiner pour 5 minutes à 100% :

START	1. Pour cuire à la puissance 100 % (élevée).
	2. Appuyer sur la touche START.

Le réglage du niveau de puissance

Onze niveaux de puissance sont prévus.

Plus le niveau de puissance est faible, plus le temps de cuisson est long, ce qui est conseillé pour les aliments tels que le fromage, le lait ou les viandes qui exigent une cuisson lente. Consulter un livre de cuisine ou de recettes pour chaque cas particulier.

APPUYER SUR LA TOUCHE POWER LEVEL JUSQU'À CE QUE LE NIVEAU DE PUISSANCE DÉSIRÉ S'AFFICHE	POURCENTAGE APPROXIMATIF DE LA PUISSANCE	NOMS DONNÉS AUX NIVEAUX DE PUISSANCE
POWER LEVEL x 1	100%	High (élevé)
POWER LEVEL x 2	90%	
POWER LEVEL x 3	80%	
POWER LEVEL x 4	70%	Medium High (mi-élevé)
POWER LEVEL x 5	60%	
POWER LEVEL x 6	50%	Medium (moyen)
POWER LEVEL x 7	40%	
POWER LEVEL x 8	30%	Med Low/ Defrost (mi-faible/décongélation)
POWER LEVEL x 9	20%	
POWER LEVEL x 10	10%	Low (faible)
POWER LEVEL x 11	0%	

- Par exemple, décongeler pendant 5 minutes à 30% :

POWER LEVEL	1. Entrer le temps de décongélation.
	2. Appuyer 8 fois sur la touche POWER LEVEL ou maintenir enfoncée jusqu'à ce le niveau de puissance désiré s'affiche.
START	3. Appuyer sur la touche START.
Lorsque le temps de dégivrage est terminé, une longue tonalité retentit et END apparaît à l'écran.	

Le capteur de Fulgor Milano's est un dispositif à semi-conducteur qui détecte la vapeur (humidité) émise par les aliments lorsqu'ils sont chauffés. Le capteur permet de régler les durées de cuisson et les niveaux de puissance selon les divers aliments et leur quantité.

Utilisation des réglages du capteur :

- Après le branchement du four, attendre 2 minutes avant d'utiliser ce type de cuisson.
- S'assurer que l'extérieur du récipient de cuisson et l'intérieur du four sont secs. Essuyer toute trace d'humidité avec un chiffon sec ou un essuie-tout.
- Le capteur fonctionne pour les aliments conservés à la température de rangement normale. Par exemple, le maïs soufflé devrait être à la température de la pièce.
- Toute sélection du capteur peut être programmée avec réglage de durée en plus ou en moins. Voir page 21.
- Si la quantité d'aliments est inférieure ou supérieure à celle du tableau, on doit tenir compte des conseils fournis dans un livre de cuisine pour four à micro-ondes.
- Au cours de la première période de cuisson commandée par le capteur, le nom de l'aliment s'affiche. Ne pas ouvrir la porte du four, ni appuyer sur la touche STOP/CLEAR au cours de cette période, car cela provoquerait l'interruption de la mesure du degré d'humidité. Si ces consignes ne sont pas respectées, un message d'erreur s'affiche et la cuisson commandée par le capteur s'arrête. Pour poursuivre la cuisson, appuyer sur la touche STOP/CLEAR et choisir le temps de cuisson et le niveau de puissance.
- Lorsque le capteur détecte la vapeur émise par les aliments, le temps restant avant la fin de la cuisson est indiqué sur le four. On peut ouvrir la porte lorsque ce temps de cuisson restant s'affiche. À ce moment-là, on peut aussi remuer les aliments et les assaisonner, au goût.
- Si pendant le soufflage du maïs, le capteur ne détecte pas correctement la vapeur émise, le four cessera de fonctionner et l'heure sera affichée. Si le capteur ne détecte pas correctement la vapeur émise lors de la cuisson d'autres aliments, l'indication ERROR s'affichera et le micro-onde cessera de fonctionner.
- Vérifier la température des aliments après cuisson. S'il faut plus de temps, continuer à cuire en mode manuel.
- Il existe un conseil de cuisson pour chaque aliment. Appuyer sur la touche SET UP/HELP quand l'indicateur HELP est allumé sur l'afficheur.

Manières de couvrir les aliments :

Certains aliments cuisent mieux lorsqu'ils sont couverts. Se servir du couvercle recommandés dans les tableaux pour ces aliments.

- Couvercle.
- Film plastique : Utiliser un film plastique recommandé pour la cuisson aux micro-ondes. Couvrir le plat sans serrer et en conservant une ouverture de 1,25 cm (1/2 po) de manière à ce que la vapeur puisse s'échapper. Le film plastique ne doit pas entrer en contact avec les aliments.
- Papier ciré : Couvrir entièrement le plat et replier le papier sous le plat de manière à ce qu'il soit maintenu. Si le plat est plus large que le papier, utiliser deux morceaux de papier se chevauchant d'au moins 2,5 cm (1 po).

Faire attention en retirant l'élément couvrant les aliments de laisser la vapeur s'échapper loin de vous.

EXEMPLE :

Il est possible de cuire bon nombre d'aliments simplement en appuyant sur une touche START. Il n'est pas nécessaire de calculer le temps de cuisson ou la puissance.

- Par exemple, réchauffer une boîte de chili :

REHEAT	1. Appuyer sur la touche REHEAT.
START	2. Appuyer sur la touche START.
Lorsque le capteur détecte la vapeur dégagée par les aliments, la durée de cuisson qui reste s'affiche.	

REMARQUE :

Les réglages FRESH VEGETABLES (Légumes frais) et POULTRY (Volaille) offrent deux options. Suivre les instructions affichées pour sélectionner l'option désirée.

Tableau de Capteur cuisson																	
ALIMENTS	QUANTITÉ	MARCHE À SUIVRE															
Popcorn	1 paquet Sac de 1,5 à 3,5 oz (45 à 100 g)	N'utiliser que du maïs soufflé pour microondes. Essayer plusieurs marques et choisir celle qui donne les meilleurs résultats. Ne pas tenter de souffler les grains qui n'ont pas éclaté. Appuyer sur la touche POPCORN puis sur la touche START.															
Sensor Reheat	115 à 900 g (4 à 36 oz)	Mettre dans un plat ou une casserole un peu plus grande que la quantité à réchauffer. Aplatir si possible. Couvrir avec un couvercle, film plastique ou un papier ciré. Couvrir avec du film plastique ou des couvercles pour de plus grandes quantités d'aliments plus denses comme les ragoûts. Si possible, bien remuer après réchauffage. Couvrir à nouveau et laisser reposer 2 à 3 minutes.															
Baked Potatoes	1 à 8 moyen	Les piquer. Les placer sur un essuie-tout au fond du tiroir. Après la cuisson, les retirer du four, les envelopper dans une feuille d'aluminium et les laisser reposer pendant 5 à 10 minutes.															
Fresh Vegetables: tendres Brocoli Choux de Bruxelles Choux Chou-fleur (en bouquet) Chou-fleur (entier) Épinards Courgettes Pommes au four	115 à 900 g (,25 à 2,0 lb) 115 à 900 g (,25 à 2,0 lb) 115 à 900 g (,25 à 2,0 lb) 115 à 900 g (,25 à 2,0 lb) 115 à 450 g (,25 à 1,0 lb) 1 moyen 115 à 900 g (,25 à 2,0 lb) 2 à 4 moyen	Laver les légumes, puis les placer dans un bol. Ne pas ajouter d'eau si les légumes viennent tout juste d'être lavés. Couvrir avec le couvercle pour obtenir des légumes tendres. Utiliser une pellicule plastique pour obtenir des légumes tendres mais croustillants. Appuyer sur la touche FRESH VEGETABLES, sur la touche 1 puis sur la touche START. Après la cuisson, remuer si possible, Laisser reposer, à couvert, 2 à 5 minutes.															
Fresh Vegetables: croquants Carottes, tranchées Maïs en épi Haricots verts Courge d'hiver : en dés en moitié	115 à 675 g (,25 à 1,5 lb) 2 à 4 115 à 675 g (,25 à 1,5 lb) 115 à 675 g (,25 à 1,5 lb) 1 à 2	Les placer dans un bol. Ajouter 1 à 4 c. à soupe d'eau. Couvrir avec le couvercle pour obtenir des légumes tendres. Utiliser une pellicule plastique pour obtenir des légumes tendres, mais croustillants. Appuyer sur la touche FRESH VEGETABLES, sur la touche 2 puis sur la touche START. Après la cuisson, remuer si possible, Laisser reposer, à couvert, 2 à 5 minutes.															
Rice	95 à 380 g (,5 à 2,0 tasses)	Placer le riz dans une cocotte profonde et ajouter le double d'eau. Couvrir avec un couvercle ou un film plastique. Après la cuisson, remuer, couvrir et laisser reposer de 3 à 5 minutes ou jusqu'à ce que tout le liquide ait été absorbé. <table border="1" data-bbox="829 1329 1442 1514"> <thead> <tr> <th>Riz</th> <th>Eau</th> <th>Taille de la casserole</th> </tr> </thead> <tbody> <tr> <td>95 g (,5 t)</td> <td>240 ml (1 t)</td> <td>1,5 L (1,5 pt)</td> </tr> <tr> <td>190 g (1 t)</td> <td>480 ml (2 t)</td> <td>2 L (2 pt)</td> </tr> <tr> <td>285 g (1,5 t)</td> <td>720 ml (3 t)</td> <td>2,5 ou 3 L (2,5 ou 3 pt)</td> </tr> <tr> <td>380 g (2 t)</td> <td>1 L (4 t)</td> <td>3 pt (3 L) ou plus</td> </tr> </tbody> </table>	Riz	Eau	Taille de la casserole	95 g (,5 t)	240 ml (1 t)	1,5 L (1,5 pt)	190 g (1 t)	480 ml (2 t)	2 L (2 pt)	285 g (1,5 t)	720 ml (3 t)	2,5 ou 3 L (2,5 ou 3 pt)	380 g (2 t)	1 L (4 t)	3 pt (3 L) ou plus
Riz	Eau	Taille de la casserole															
95 g (,5 t)	240 ml (1 t)	1,5 L (1,5 pt)															
190 g (1 t)	480 ml (2 t)	2 L (2 pt)															
285 g (1,5 t)	720 ml (3 t)	2,5 ou 3 L (2,5 ou 3 pt)															
380 g (2 t)	1 L (4 t)	3 pt (3 L) ou plus															
Ground Meat	115 à 900 g (,25 à 2,0 lb)	Utiliser ce réglage pour cuire du bœuf ou de la dinde hachés en fricadelles ou en cocotte avec d'autres ingrédients. Placer les fricadelles sur une grille transparente aux micro-ondes et couvrir de papier ciré. Placer la viande hachée dans une cocotte et couvrir avec du papier ciré ou du film plastique. Quand le four s'arrête, retourner les fricadelles ou mélanger la viande dans la cocotte pour séparer les gros morceaux. Recouvrir et appuyer sur START. Après la cuisson, laisser reposer, à couvert, 2 à 3 minutes.															

Tableau de Capteur cuisson		
ALIMENTS	QUANTITÉ	MARCHE À SUIVRE
Poultry : Désossée	225 à 900 g (,5 à 2,0 lb)	Utiliser une poitrine de poulet ou de dinde désossée. Couvrir d'une pellicule plastique percée. Appuyer sur la touche Poultry et le chiffre 1 ainsi que sur la touche START. Lorsque le four s'arrête, changer la position des aliments. Couvrir de nouveau et appuyer sur la touche START. Après la cuisson, laisser reposer à couvert pendant 3 à 5 minutes. La température de la volaille devrait être de 70 °C (160 °F).
Poultry: Avec os	225 à 1,4 kg (,5 à 3,0 lb)	Disposer les pièces en orientant la partie la plus épaisse vers l'extérieur d'un plat en verre ou d'un plat allant au four à micro-ondes. Couvrir d'une pellicule plastique percée. Appuyer sur la touche POULTRY et le chiffre 2 ainsi que sur la touche START. Après la cuisson, laisser reposer à couvert pendant 3 à 5 minutes. La température de la volaille foncée devrait être de 82 °C (180 °F) et de 77 °C (170 °F) pour la viande blanche.
Fish/Seafood	115 à 900 g (,25 à 2,0 lb)	Disposer en anneau autour d'un plat en verre peu profond (rouler le filet en mettant les bords en-dessous). Couvrir de pellicule plastique. Après la cuisson, laisser reposer à couvert pendant 3 minutes.
Frozen Entrees	175 à 480 g (6 à 17 oz)	Utiliser ce réglage pour réchauffer des plats surgelés de différentes marques. Il sera peut-être nécessaire de faire l'essai de plusieurs marques avant de trouver celle qu'on préfère. Retirer le plat de l'emballage extérieur et suivre les indications qui y sont données en ce qui concerne le recouvrement du plat. Après la cuisson, laisser reposer à couvert de 1 à 3 minutes.
Frozen Snacks	85 à 225 g (3 à 8 oz)	Utiliser pour décongeler des pommes de terre frites, des bâtonnets au fromage, des hors-d'oeuvre, etc. Retirer l'aliment de l'emballage extérieur. Suivre le mode d'emploi sur l'emballage pour la manière d'envelopper ou de couvrir. Il faut être prudent au moment de sortir l'aliment du four car il peut être très chaud.
Frozen Vegetables	115 à 675 g (,25 à 1,5 lb)	Ne pas ajouter d'eau. Couvrir avec le couvercle ou utiliser une pellicule plastique. Après la cuisson, remuer, et, si possible, laisser reposer à couvert pendant 3 minutes.

Ce four comporte six touches « prêt-à-servir » pour faciliter la préparation des repas. La préparation de certains mets des programmes BREAKFAST, LUNCH, 15 MINUTE RECIPES et FROM THE PANTRY requiert l'utilisation du capteur. Voir les renseignements sur la cuisson commandée par capteur, à la page 10. Lorsque la préparation ne requiert pas le capteur, suivre les instructions affichées pour entrer les quantités.

Breakfast et Lunch

Breakfast (petit déjeuner) et Lunch (déjeuner) sont prévus pour la cuisson de préparations courantes qui ne prennent que peu de temps.

- Supposons que vous désiriez utiliser Breakfast pour cuire 2 portions de céréales chaudes.

BREAKFAST	<ol style="list-style-type: none"> 1. Appuyer sur la touche BREAKFAST. 2. Sélectionner le réglage désiré dans Breakfast en appuyant sur la touche numérique. (Par exemple : appuyer sur le chiffre 3 pour choisir des céréales chaudes.) Entrer la quantité en touchant le nombre clé.
START	<ol style="list-style-type: none"> 3. Appuyer sur la touche START. Après la cuisson, suivre les instructions affichées.

Suivre les instructions affichées pour sélectionner l'option désirée.

- Le réglage Breakfast peut être programmé grâce aux More ou Less Time Adjustment. Appuyer sur la touche POWER LEVEL une ou deux fois avant d'appuyer sur la touche START. Voir la page 21.
- Un indice de cuisson est disponible pour chaque aliment. Pour l'obtenir, appuyer sur la touche SETUP/HELP pendant que l'indicateur HELP est affiché.
- Si vous tentez d'entrer une quantité d'aliments supérieure ou inférieure à la limite permise, un message d'erreur est affiché.
- Une quantité supérieure ou inférieure à la quantité indiquée au tableau devrait être cuite en suivant les directives de tout livre de recettes pour four à micro-ondes.
- Le résultat final de cuisson variera selon l'état des aliments (par exemple, la température initiale, la forme, la qualité et le fait que les aliments soient couverts ou non). Contrôler la température des aliments après la cuisson. Pour ajouter du temps de cuisson, procéder manuellement.

REMARQUES :

- Le réglage Chauffer petits pains/muffins propose deux options.

Tableau de Breakfast		* It is not necessary to enter amount or number.
ALIMENTS	QUANTITÉ	MARCHE À SUIVRE
Œufs brouillés	1 à 9 œufs	For each egg, use 1 teaspoon of butter or margarine and 1 tablespoon of milk. Place butter or margarine in dish, measuring cup or casserole large enough for the egg to expand. Mix egg and milk together. Pour on to butter or margarine in dish. Place in oven and program. When audible signals are heard, stir egg mixture moving the cooked portion to the center of the dish and uncooked portion to the outside. After cooking, stir and let stand, covered, until set. Note that eggs will be slightly undercooked when removed from the oven.
Bacon	2 à 6 morceaux	Place bacon on paper plate, lined with paper towel. Bacon should not extend over the rim of plate. Cover with another paper towel. Allow bacon to stand a few minutes after removing from the oven to complete the cooking.
Céréales chaudes	1 à 6 portions	Use individual packets or bulk cereal in your favorite variety: oatmeal, oat bran, cream of wheat, farina or wheatena. Follow package directions for the correct amount of water or milk. To prevent boilovers, it is very important to choose a large container because microwave cooking of cereal causes high boiling. When oven stops, stir and touch START. After cooking, stir and let stand, covered, for 2 minutes.

Tableau de Breakfast

* It is not necessary to enter amount or number.

ALIMENTS	QUANTITÉ	MARCHE À SUIVRE
Heat Rolls/muffins	1 à 10 morceaux	Utiliser cette touche pour réchauffer des petits pains, des muffins, des biscuits, des bagels, etc. Un gros aliment doit être considéré comme étant égal à 2 ou 3 aliments de taille normale. Déposer dans une assiette et couvrir d'un essuie-tout.
Frais		Pour réchauffer des petits pains ou des muffins frais, appuyer sur la touche Breakfast, numéro 4, et toucher numéro 1. Entrer ensuite la quantité désirée puis appuyer sur la touche START. Dans le cas de petits pains ou de muffins conservés au réfrigérateur, il peut être nécessaire de doubler la quantité de manière à ce qu'ils soient assez chauds pour être servis. Par exemple, entrer une quantité égale à 2 muffins pour un seul muffin réfrigéré.
Surgelés		Dans le cas de petits pains ou de muffins surgelés, appuyer sur la touche Breakfast, numéro 4, et toucher numéro 2. Entrer ensuite la quantité désirée puis appuyer sur la touche START.
Aliments surgelés pour petit déjeuner	1 (90 à 180 g) (3 à 6 oz)	Ce réglage est utile pour cuire des petits déjeuners, des crêpes, des gaufres ou des burritos congelés, entre autres. Suivre les directives du fabricant quant à la cuisson au four à micro-ondes. Après la cuisson, laisser reposer 1 à 2 minutes.

Tableau de Lunch

* Il n'est pas nécessaire d'entrer le montant ou le numéro.

ALIMENTS	QUANTITÉ	MARCHE À SUIVRE
Repas dans une tasse*	1 tasse	Ce réglage est idéal pour réchauffer des repas individuels offerts dans de petits emballages (habituellement de 6 à 8 oz) allant au four à micro-ondes. Retirer la pellicule métallique intérieure et déposer le couvercle sur le contenant allant au four à micro-ondes. Après la cuisson, remuer les aliments et laisser reposer 1 ou 2 minutes.
Saucisse et petit pain* (Hot-Dogs)	1 à 4 pièces	Déposer la saucisse dans un pain à hot-dog. Emballer chaque hot-dog dans un essuie-tout ou une serviette de table.
Soupe*	1 à 8 tasses	Verser la soupe dans un bol ou un plat. Mettre un couvercle ou couvrir d'une pellicule plastique. Après la cuisson, remuer, couvrir à nouveau et laisser reposer 1 à 3 minutes.
Pizza pour microondes*	1 (6 à 8 oz)	Utiliser ce réglage pour faire cuire les pizzas surgelées au micro-ondes. Retirer la pizza de son emballage et la débarrasser. Suivre les directives quant à l'utilisation de l'emballage ou d'un plateau d'argent pour mets croustillants.
Sandwichs surgelés*	1 (3 à 6 oz)	Utiliser ce réglage pour réchauffer les sandwichs surgelés au micro-ondes. Retirer le sandwich de son emballage et suivre les directives quant à l'enfournement.

15 Minute Recipes et From the Pantry

Les fonctions 15 MINUTE RECIPES (15 recettes minute) et FROM THE PANTRY (de l'cellier) offrent chacune cinq repas faciles à préparer mais vraiment délicieux. Suivre les indications précises sur la fiche de recette ainsi que les instructions affichées.

- Par exemple : Pour utiliser 15 MINUTE RECIPES cuisiner du poulet en sauce.

15 MINUTE RECIPES	<ol style="list-style-type: none"> Appuyer sur la touche 15 MINUTE RECIPES. Sélectionner le réglage désiré dans 15 MINUTE RECIPES en appuyant sur la touche numérique. Par exemple : Appuyer sur le chiffre 1 pour sélectionner le poulet en sauce.
------------------------------	--

	Suivre les indications de la fiche de recette pour prendre connaissance des ingrédients et des instructions.
START	2. Appuyer sur la touche START.
START	3. Lorsque le four s'arrête, l'écran affiche le numéro de l'instruction sur la fiche de recette. Suivre les instructions de la fiche de recette. check recipe instruction. Appuyer sur la touche START.
À la fin de la cuisson, l'écran affiche le numéro de l'instruction sur la fiche de recette. Suivre les instructions de la fiche de recette. Consultez les instructions de recette 3.	

15 Minute Recipes (La recette donne 6 portions)

1. POULET EN SAUCE

- Placer dans une casserole de 3 pintes/3l:
 - 1 cuillère (15 ml) à soupe d'huile
 - ½ lb (250 g) de champignons, tranchés
 - 1 oignon haché
 - 1 cuillère (15 ml) à soupe d'ail émincé
- Bien remuer et mettre le couvercle. Appuyer sur la touche 15 MINUTE RECIPES, sur le chiffre 1 pour sélectionner POULET EN SAUCE, puis sur la touche START.
Mélanger :
 - 8 onces (230 g) de fromage à la crème à faible teneur en gras, ramolli
 - ¼ tasse (50 ml) de lait
 Amalgamer au mélange de fromage :
 - 1 sac (10 oz/280 g) de petits pois congelés
 - 2 tasses (500 ml) de poitrine de poulet cuit, en tranches minces
 - Sel et poivre au goût
 Au moment de la pause, éliminer le liquide de cuisson des champignons, etc. Ajouter le mélange de fromage à la crème, de petits pois, et de poulet et bien mélanger. Remettre le couvercle. Appuyer sur la touche START.
- À la fin de la cuisson, ajouter une tasse/250 ml de fromage Monterey Jack râpé.

2. PORC HAWAÏEN

- Placer dans une casserole de 3 pintes/3l :
 - 1 cuillère (15 ml) à soupe d'huile
 - 1 lb (500 g) de filet de porc désossé, coupé en tranches de un pouce/2,5 cm, et assaisonné de sel et de poivre
 Bien remuer et mettre le couvercle. Appuyer sur la touche 15 MINUTE RECIPES sur le chiffre 2 pour sélectionner PORC HAWAÏEN, puis sur la touche START.
- Mélanger dans un grand bol :
 - 1 tasse (250 ml) de pêches ou d'abricots en conserve
 - ¼ tasse (50 ml) de sauce barbecue
 - 2 cuillères (30 ml) à soupe de sauce soya
 - 2 cuillères (30 ml) à soupe de fécule de maïs
 - 1 tasse (250 ml) d'oignon haché finement
 À la pause, ajouter le mélange d'aliments en conserve et de sauce barbecue et bien mélanger. Remettre le couvercle. Appuyer sur la touche START.
- À la pause, ajouter :
 - 1 boîte de 8 oz (230 g) de châtaignes d'eau en conserve, égouttées
 - 1 piment vert, dont on a retiré les graines et coupé en lanières de 2 pouces/5 cm
 - 1 piment rouge, dont on a retiré les graines et coupé en lanières de 2 pouces/5cm
 - 1 boîte de 20 oz (570 g) d'ananas en conserve, en gros morceaux, égoutté
 Remettre le couvercle. Appuyer sur la touche START.
- Al final, revuelva nuevamente.
Servir sur du riz cuit.

15 Minute Recipes (La recette donne 6 portions)

3. CHILI FIESTA

- Placer dans une casserole de 3 pintes/3l :
 - 1 ¼ lb (600 g) de dinde hachée
 - ½ tasse (125 ml) d'oignons en cubes
 - ½ tasse (125 ml) de piment rouge en cubes
 Défaire la dinde et ajouter l'oignon et le piment rouge. Couvrir. Appuyer sur la touche 15 MINUTE RECIPES, sur le chiffre 3 pour sélectionner CHILI FIESTA, puis sur la touche START.
- À la pause, égoutter et ajouter dans la casserole :
 - 8 oz (230 g) de sauce piquante épaisse
 - 1 boîte de 11 oz (310 g) de maïs mexicain, égoutté
 - 1 boîte de 15 oz (430 g) de chili avec de fèves
 - 1 à 3 cuillères (5 à 15 ml) à thé de poudre de chili
 Bien mélanger. Remettre le couvercle. Appuyer sur la touche START.
- À la fin de la cuisson, remuer encore une fois.
 Servir sur du riz cuit ou sur des nachos. Garnir avec 2 tasses/500 ml de fromage Monterey Jack ou cheddar râpé

4. SAUMON GLACÉ

- Mélanger :
 - ¼ tasse (50 ml) de jus d'orange concentré
 - 2 cuillères (30 ml) à soupe de moutarde au miel
 - 1 cuillères (15 ml) à soupe de gingembre frais râpé ou 2 cuillères (30 ml) à thé de gingembre moulu
 Déposer dans une casserole de verre de 7 po x 11 po / 18 x 28 cm :
 - 1 ½ lb (700 g) de filet de saumon
 Répartir la moitié du mélange de jus d'orange sur le dessus du saumon.
 Recouvrir d'une pellicule plastique. Appuyer sur la touche 15 MINUTE RECIPES, sur le chiffre 4 pour sélectionner SAUMON GLACÉ, puis sur la touche START.
- À la pause, répartir autour du saumon :
 - 3 tasses (750 ml) de pousses de brocoli
 - 1 piment rouge, tranché en lamelles
 Verser le reste du mélange de jus d'orange sur les légumes. Garnir avec 2 cuillères à soupe/30 ml de graines de sésame grillées. Remettre le couvercle. Appuyer sur la touche START.
- À la fin de la cuisson, laisser reposer, avec le couvercle, durant 3 à 5 minutes.
 Servir avec du riz au beurre, des pâtes ou des pommes de terre garnies de persil

5. HEALTHY FRITTATA

- Beurrer un plat à tarte de 9 pouces (23 cm). Y mettre :
 - ½ lb (250 g) de champignons émincés
 - ¾ tasse (187 ml) d'oignon haché
 - 1 cuillère (15 ml) à soupe d'ail haché fin
 - ¼ lb (125 g) de saucisse fumée maigre débitée en morceaux
 Couvrir avec une feuille de plastique. Sélectionner 15 MINUTE RECIPES sur le chiffre 5 pour choisir HEALTHY FRITTATA, puis actionner START.
- À la pause, égoutter et réserver.
 Dans un bol moyen, verser et bien mélanger :
 - 3 gros œufs
 - ½ tasse (125 ml) de crème sure demi-écrémée
 - 1 cuillère (15 ml) à soupe de moutarde de Dijon
 - ½ cuillère à thé (2,5 ml) de sel
 - ¼ cuillère à thé (0,6 ml) de poivre moulu
 Ajouter et mélanger de nouveau :
 - ½ La moitié d'un paquet de 10 onces d'épinards hachés surgelés, décongelés et asséchés par pression
 - 1 tasse (250 ml) de gruyère râpé
 Verser en le répartissant le mélange du bol sur le fond de champignons/oignon/saucisse. Mélanger avec précautions. Ne pas couvrir cette fois.
 Remettre au four et actionner START.
- À la fin retirer du four et laisser reposer de 3 à 5 minutes.
 Servir avec une salade verte et des rondelles de tomates pour un brunch.

From the Pantry Recipes (La recette donne 6 portions)

1. TORTILLA AU BOEUF

- Placer dans une casserole de 2 pintes/2l :
 - 1 lb (500 g) de boeuf haché
 Défaire la viande et mettre le couvercle. Appuyer sur la touche FROM THE PANTRY, sur le chiffre 1 pour sélectionner TORTILLA AU BOEUR, puis appuyer sur la touche START.
- À la pause, égoutter le gras et défaire la viande en petits morceaux.
 Ajouter à la casserole :
 - 1 sac de 10 oz (280 g) d'épinards congelés, hachés décongelés et bien égouttés
 - 1 ½ tasse (375 ml) de sauce piquante
 - 1 à 3 cuillères à thé (5 à 15 ml) de poudre de chili
 Bien mélanger. Remettre le couvercle. Appuyer sur la touche START.
- À la fin de la cuisson, bien mélanger et déposer dans 8 tortillas de maïs chaudes. Garnir avec une tasse/250 ml de fromage cheddar râpé.

2. POULET MEXICAIN

- Placer par couches superposées dans une casserole de 3 pintes/3l:
 - 2 tasses (500 ml) de riz à cuisson rapide
 - 1 tasse (250 ml) de sauce fajita préparée mélangée avec ½ tasse/125 ml de bouillon de poulet ou de consommé
 - 2 sacs de 10 oz (280 g) de légumes assaisonnés (oignon, piment, persil et céleri)
 - 1 lb (500 g) de poitrine de poulet désossée, découpée en fines lanières de 1 po/2,5 cm

Couvrir. Appuyer sur la touche FROM THE PANTRY, sur le chiffre 2 pour sélectionner POULET MEXICAIN, puis sur la touche START.

- À la pause, bien mélanger et s'assurer que les lanières de poulet sont bien séparées et mélangées avec le riz et la sauce. Remettre le couvercle. Appuyer sur la touche START.
- À la fin de la cuisson, remuer de nouveau.

Servir avec des haricots verts parsemés de beurre et des tortillas grillées.

3. SALADE ITALIENNE

- Pour faire cuire les pâtes :
Placer dans une casserole de 3 pintes/3l :
6 tasses (1.5l) d'eau du robinet très chaude
Couvrir. Appuyer sur la touche FROM THE PANTRY, sur le chiffre 3 pour sélectionner SALADE ITALIENNE, puis sur la touche START.
- À la pause, ajouter :
8 oz (230g) de pâtes tricolores rotini ou fusilli
1 cuillère à thé (5ml) d'huile à salade
Ne pas couvrir. Appuyer sur la touche START.
- À la fin de la cuisson, égoutter les pâtes et les mettre de côté.
Pour faire cuire le poulet :
Placer dans une assiette à tarte graissée de 9 po/ 23 cm :
1 lb (500 g) de poitrine de poulet désossée, découpée en fines lanières de 1 po/2,5 cm
Couvrir. Appuyer sur la touche START.
- À la pause, remuer et répartir les morceaux moins cuits sur le pourtour de l'assiette. Remettre le couvercle. Appuyer sur la touche START.
- Égoutter et mettre de côté.
- Pour faire la salade :
Déposer dans un grand bol :
les rotinis ou fusillis cuits
la poitrine de poulet cuite
2 tomates, découpées en huit morceaux
½ tasse (125 ml) d'olives noires tranchées
1 tasse (250 ml) de fromage mozzarella, râpé
¼ tasse (50 ml) d'oignon rouge, haché
¾ à 1 tasse (175 à 250 ml) de vinaigrette de type huile et vinaigre additionnée de pesto

Bien mélanger pour enrober tous les ingrédients.

Servir immédiatement ou refroidir et servir plus tard. Délicieux lorsque servi avec de petits pains croustillants chauds.

4. TUNA MACARONI

- Pour cuire les macaronis:
Mettre dans une casserole de 3 pintes/3l :
6 tasses (1,4l) d'eau très chaude du robinet
Couvrir. Appuyer sur la touche FROM THE PANTRY, sur le chiffre 4 pour sélectionner Macaroni au Thon puis sur la touche START.
- À la pause, y ajouter :
2 tasses (500 ml) de coudes de macaroni
1 cuillère à thé (5 ml) d'huile à salade
Ne pas couvrir. Appuyer sur la touche START.
- À la fin, égoutter les macaronis et les garder dans la casserole.
Mélanger dans un bol :
1 boîte de soupe crème de céleri
½ tasse (125 ml) de lait
½ tasse (125 ml) de crème sure demi-écrémée
Ajouter aux macaronis de la casserole :
le mélange soupe/lait/crème sure
1 boîte de 6,5 onces de thon blanc au naturel, égoutté et émietté
1 tasse (250 ml) de petits pois surgelés
1 tasse (250 ml) fromage cheddar râpé
Sel et poivre suivant le goût
Bien mélanger le tout. Couvrir. Appuyer sur la touche START.
- À la fin mélanger de nouveau.
Servir avec des bâtonnets de carotte fraîche, une salade verte et des petits pains.

5. MÉLANGE DU JARDIN

- Mettre dans une casserole de 2,5 pintes/2,5l :
1 lb (500 g) de pommes de terre pelées, coupées en 8 puis finement tranchées
1 boîte de 14,5 onces de tomate en dés
2 cuillère à thé (10 ml) d'ail haché fin
1 cuillère à thé (5 ml) de thym
Couvrir. Appuyer sur la touche FROM THE PANTRY, sur le chiffre 5 pour sélectionner Mélange du Jardin puis sur la touche START.
- À la pause, bien mélanger puis y ajouter :
1 paquet assortiment de légumes surgelés à sauter
2 tasses (500 ml) de fines tranches de courgette
Couvrir à nouveau. Appuyer sur la touche START.
- À la fin, dresser et saupoudrer de 4 onces de fromage cheddar râpé.
Servir avec une salade de petites feuilles d'épinards et du melon bien frais.

Décongelation

La fonction DEFROST sert à décongeler automatiquement tous les aliments qui figurent dans les tableaux SUPER DEFROST ou AUTO DEFROST. Le mode SUPER DEFROST décongèle rapidement les aliments et les poids spécifiés dans le tableau SUPER DEFROST (numéros 1 à 3). Pour ces sélections il n'est pas nécessaire d'entrer le poids.

Super Defrost

SUPER DEFROST décongèle rapidement des aliments et des poids précis trouvés dans le tableau SUPER DEFROST.

- Supposons que vous vouliez décongeler 1 livre de poulet désossé.

DEFROST	1. Appuyer sur la touche DEFROST.
2 START	2. Appuyer sur la touche 2 pour sélectionner la volaille désossée. Appuyer sur la touche START.
START	3. Le four s'arrêtera afin que les aliments soient vérifiés. L'afficheur indiquera : TURN OVER SEPARATE INTO PIECES. Refermer la porte. Appuyer sur la touche START.
After defrost cycle ends, follow the directions: LET STAND 3-5 MINUTES.	

REMARQUE :

- Pour décongeler d'autres aliments dont les poids sont supérieurs ou inférieurs à ceux qui sont indiqués dans les tableaux SUPER DEFROST et AUTO DEFROST, utiliser la puissance 30% et préciser le temps. Se reporter à la page 19 «Décongélation manuelle».
- Les réglages du DEFROST peuvent être programmés selon une équivalence de temps supérieure ou inférieure. Appuyer une ou deux fois sur la touche POWER LEVEL avant d'appuyer sur la touche START.
- Appuyer sur la touche SETUP/HELP lorsque le témoin HELP est éclairé.
- Si on tente d'indiquer une quantité supérieure ou inférieure aux quantités indiquées dans le tableau suivant, un message d'erreur s'affiche.

Tableau de Super Defrost

* Il n'est pas nécessaire d'entrer une quantité.

ALIMENTS	QUANTITÉ	MARCHE À SUIVRE
1. Viande hachée*	450 g (1,0 lb)	À la pause, retourner la viande, retirer toute partie décongelée et couper le reste en morceaux. Après la cuisson, couvrir et laisser reposer 3 à 5 minutes.
2. Poulet désossé*	450 g (1,0 lb)	À la pause, retourner le poulet et le séparer en morceaux. Après la cuisson, couvrir et laisser reposer 3 à 5 minutes.
3. Morceaux de poulet avec os*	900 g (1,0 lb)	À la pause, retourner les aliments et séparer en morceaux. Après la cuisson, couvrir et laisser reposer 3 à 5 minutes.

REMARQUE POUR SUPER DEFROST : Le programme Super Defrost décongèle juste assez pour que les aliments puissent être utilisés dans une recette ou pour la cuisson. Il restera quelques cristaux de glace.

Auto Defrost

- Supposons que vous vouliez décongeler 2 livres de bifteck à l'aide d'AUTO DEFROST.

DEFROST	1. Appuyer sur la touche DEFROST.
5	2. Sélectionner le réglage désiré dans Defrost en appuyant sur la touche numérique. Par exemple : appuyer sur le chiffre 5 pour choisir le steak. Entrer le poids. Par exemple, appuyer sur les chiffres 2 e 0 pour indiquer 2,0 lb.
2 0 START	3. Entrer le poids. Par exemple, appuyer sur les chiffres 2 e 0 pour 2,0 lb. Appuyer sur la touche START.

Le four cesse de fonctionner pour permettre que les aliments puissent être vérifiés. L'afficheur indique : TURN FOOD OVER COVER EDGES

START	4. À la fin de la première étape, ouvrir la porte. Retourner le bifteck et protéger les parties chaudes. Refermer la porte. Appuyer sur la touche START.
START	5. À la fin de la seconde étape, ouvrir la porte. Protéger les parties chaudes. Refermer la porte. Appuyer sur la touche START.

À la fin de la décongélation, couvrir et laisser reposer conformément au tableau Auto Defrost.

Tableau de Auto Defrost		
ALIMENTS	QUANTITÉ	MARCHE À SUIVRE
4. Viande hachée	225 g à 1.4 kg (0,5 à 3,0 lb)	Retirer les parties décongelées après chaque étape. À la fin de la décongélation, laisser reposer à couvert de 5 à 10 minutes.
5. Biftecks côtelettes ou poisson	225 g à 1.8 kg (0,5 à 4,0 lb)	Après chaque étape du cycle de décongélation, changer la disposition des aliments et protéger les parties chaudes ou décongelées au moyen de bandes de papier d'aluminium. Retirer les morceaux presque entièrement décongelés. À la fin de la décongélation, laisser reposer à couvert de 10 à 20 minutes.
6. Morceaux de poulet	225 g à 1.4 kg (0,5 à 3,0 lb)	Après chaque étape du cycle de décongélation, changer la disposition et, si des morceaux sont chauds ou décongelés, les retirer. À la fin de la décongélation, laisser reposer à couvert de 10 à 20 minutes.
7. Rôti	1 à 1,8 kg (2,0 à 4,0 lb)	Mettre les parties grasses en dessous. Après chaque étape de décongélation, retourner et protéger les parties chaudes au moyen de bandes de papier d'aluminium. À la fin de la décongélation, laisser reposer à couvert de 30 à 60 minutes.
8. Casserole ou soupe	240 ml à 2 L (1 à 8 tasses)	Si possible, remuer lorsque le four émet un signal sonore. À la fin de la décongélation, remuer soigneusement et laisser reposer à couvert de 5 à 10 minutes.

REMARQUE POUR AUTO DEFROST : Vérifier les aliments lorsque le four émet un signal sonore. Après la dernière étape, des petites portions peuvent être encore gelées. Laisser reposer de manière à ce que la décongélation se poursuive.

Ne pas décongeler jusqu'à ce que tous les cristaux de glace soient fondus. Protéger les grosses pièces de viande est une bonne technique car on évite la cuisson partielle alors que le coeur est encore congelé. Utiliser des bandes de papier d'aluminium pour protéger les bords et les parties minces des pièces à décongeler.

Décongélation Manuelle

Si les aliments que vous voulez décongeler ne sont pas listés dans les tableaux de Defrost, ou sont au-dessus ou en-dessous des limites de leur colonne de quantité, vous devrez décongeler manuellement.

Vous pouvez décongeler tout aliment, cru ou déjà cuit, à l'aide du niveau de puissance de 30 %. Suivre exactement la marche suivre en 3 étapes sous Le Réglage du Niveau de Puissance. Estimer la durée de décongélation et appuyer sur la touche POWER LEVEL huit fois pour une puissance de 30%.

Pour des aliments crus ou déjà cuits, la règle d'or est d'environ 4 minutes par livre. Par exemple, 1 livre de spaghetti dégèlera en 4 minutes.

Toujours arrêter le four périodiquement pour séparer et retirer les portions dégelées. Si les aliments ne sont pas complètement dégelés à la fin du temps de décongélation estimé, programmer le four en incréments d'1 minute, au niveau de puissance de 30 % jusqu'à décongélation complète.

Quand vous utilisez des contenants plastique sortant du congélateur, décongeler seulement assez longtemps pour retirer les aliments du plastique et les mettre dans un plat pour micro-onde.

Beverages (Boissons)

La fonction BEVERAGES permet de réchauffer le café ou le thé ou de faire du café ou du thé instantané.

- Supposons que vous vouliez chauffer 2 tasses de café.

BEVERAGES	1. Appuyer sur la touche BEVERAGES.
2	2. Sélectionner le réglage BEVERAGES voulu en actionnant la touche du numéro correspondant. Par exemple : la touche numéro 2 pour café réchauffé.
2 x 4	3. Entrer ensuite la quantité en actionnant la même touche de numéro 2 plusieurs fois. Par exemple : actionner la touche 2 quatre fois.
START	4. Appuyer sur la touche START.

REMARQUES:

- La durée de cuisson commandée par BEVERAGES peut être modifiée. Appuyer une ou deux fois sur la touche POWER LEVEL après avoir choisi la valeur. Se reporter à la page 21.
- Pour obtenir des conseils, appuyer sur la touche SETUP/HELP lorsque l'indicateur HELP est affiché.
- Si on tente de préciser un poids supérieur ou inférieur aux limites permises, un message d'erreur s'affiche. Si la quantité d'aliments est inférieure ou supérieure à celle du tableau, on doit tenir compte des conseils fournis dans un livre de cuisine pour four à micro-ondes.

Tableau de Beverage

ALIMENTS	QUANTITÉ	MARCHE À SUIVRE
Faire du café ou thé	240 ml à 1 L (1 à 4 tasses)	Utiliser ce réglage pour chauffer de L'EAU DU ROBINET à une température approchant le point d'ébullition pour faire du café ou du thé instantané. Appuyer sur la touche 1 pour une augmentation de 1 tasse par pression. Bien remuer le liquide avant et après le réchauffage pour éviter une «éruption».
Réchauffage	120 à 480 ml (0,5 à 2 tasses)	Ce réglage convient pour réchauffer une boisson qui s'est refroidie. Appuyer sur la touche 2 pour une augmentation d'une demi-tasse par pression. Remuer après le réchauffage.

Réchaud

KEEP WARM vous permet de conserver les aliments au chaud jusqu'à 30 minutes. Pour l'utiliser, actionner simplement la touche KEEP WARM et entrer la durée voulue en minutes (jusqu'à 30). Vous pouvez également programmer KEEP WARM avec le mode de cuisson manuel pour conserver les aliments chauds après leur temps de cuisson.

Utilisation simple

- Supposons que vous vouliez garder une tasse de soupe chaude pendant 15 minutes.

KEEP WARM	1. Appuyer sur la touche KEEP WARM. Entrer la durée désirée en appuyant sur les chiffres.
START	2. Appuyer sur la touche START.
Le four se mettra en marche. L'afficheur indiquera 15:00 et le compte à rebours. KEEP WARM sera affiché pendant le compte à rebours.	

Avec cuisson en mode manuel

- Supposons que vous vouliez faire cuire une tasse de soupe pendant 2 minute et garder la soupe chaude pendant 15 minutes.

POWER LEVEL x 4	1. Entrer le temps de cuisson. Appuyer sur la touche POWER LEVEL 4 fois pour une puissance à 70%.
KEEP WARM	2. Appuyer sur la touche KEEP WARM. Entrer la durée de réchauffage désirée jusqu'à 15 minutes.
START	3. Appuyer sur la touche START.
L'opération va commencer. Quand la cuisson sera terminée, un son long retentira et KEEP WARM s'affichera toutes les dix secondes durant le compte à rebours de 15 minutes.	

REMARQUE :

- Pour utiliser KEEP WARM après que la cuisson précédente est terminée, appuyer sur la touche KEEP WARM dans les 3 minutes après la cuisson, la fermeture de la porte, après avoir appuyé sur la touche STOP/CLEAR.
- KEEP WARM ne peut pas être programmé avec les usages spéciaux.

Aide - sur l'afficheur

Il y a un conseil de cuisson pour chaque réglage. Si vous voulez en prendre connaissance appuyer sur SET UP/HELP chaque fois que HELP est affiché pour ces réglages et les autres opérations manuelles.

Séquence de cuisson multiple

Le four peut être programmé pour 4 séquences automatiques de cuisson, passant d'un niveau de puissance à un autre automatiquement.

Parfois, les conseils de cuisson suggèrent de commencer à un certain niveau de puissance et de poursuivre à un autre niveau. Ce four peut être programmé pour cela.

POWER LEVEL	1. Entrer d'abord le temps de cuisson. Puis appuyer sur la touche POWER LEVEL pour la cuisson à 100% ou appuyer de nouveau sur POWER LEVEL pour un niveau plus faible.
POWER LEVEL x 6	2. Entrer le second temps de cuisson. Appuyer répétitivement sur la touche POWER LEVEL jusqu'au niveau de puissance désiré. Vous pouvez faire cette marche à suivre jusqu'à 4 fois.
START	3. Appuyer sur la touche START.

REMARQUES :

- Si le niveau 100 % doit être utilisé au cours de la dernière séquence, il n'est pas nécessaire d'appuyer sur la touche POWER LEVEL.
- Si vous voulez savoir le niveau de puissance, appuyer simplement sur la touche POWER LEVEL. Aussi long temps que votre doigt appuie sur la touche POWER LEVEL, le niveau de puissance sera affiché.
- KEEP WARM peut être programmé même si 4 séquences de cuisson ont été réglées.

Réglages des temps de cuisson en plus ou en moins

Si vous vous rendez compte que vous préférez les modes de cuisson de SENSOR COOKING (capteur) ou MENU OPTIONS (excepté 15 MINUTE RECIPES ou FROM THE PANTRY), un peu plus longs, appuyer sur la touche POWER LEVEL une fois après avoir appuyé sur votre choix de touches ou avant d'appuyer sur la touche START.

L'affichage indique MORE.

Si vous vous rendez compte que vous préférez les modes de cuisson de SENSOR COOKING (capteur) ou MENU OPTIONS (excepté 15 MINUTE RECIPES ou FROM THE PANTRY), un peu moins longs, appuyer sur la touche POWER LEVEL deux fois après avoir appuyé sur votre choix de touches ou avant d'appuyer sur la touche START.

L'affichage indique LESS.

Setup/Help (Aide)

La touche Setup/Help facilite l'emploi du four en permettant l'affichage d'instructions pour 5 fonctions.

1. Verrouillage de sécurité

Le verrouillage de sécurité vise à empêcher que le four soit utilisé par de jeunes enfants. Le four peut être réglé de telle sorte que le tableau de commande est inopérant ou verrouillé. Pour le réglage, appuyer sur la touche SETUP/HELP, le chiffre 1 et la touche START. Si on appuie sur une touche, l'affichage indique CHILD LOCK on will appear in the display.

Pour annuler, appuyer sur SETUP/HELP et STOP/CLEAR.

2. Suppression du signal sonore

Si on désire que le four n'émette pas de signal sonore pendant son fonctionnement, appuyer sur la touche SETUP/HELP, la touche 2 et la touche STOP/CLEAR.

Pour rétablir l'émission du signal sonore, appuyer sur la touche SETUP/HELP, la touche 2 et la touche START.

3. Démarrage automatique

Si on désire programmer le four de façon à ce qu'il commence la cuisson à une heure précise, procéder comme suit :

- Par exemple : Commencer la cuisson d'un ragoût à 4:30 au niveau 50 %, pendant 20 minutes. Avant tout, s'assurer que l'horloge indique l'heure exacte.

SETUP HELP	1. Appuyer sur la touche SETUP/HELP
3	2. Appuyer sur la touche le réglage 3. Préciser l'heure.
TIMER CLOCK	3. Appuyer sur la touche Timer/Clock. Indiquer le temps de cuisson.
START	4. Appuyer sur la touche START.

REMARQUES :

- Si l'horloge est correctement réglée, le démarrage automatique peut être utilisé pour le fonctionnement manuel.
- Si on ouvre la porte du four après avoir programmé un démarrage automatique, il suffit de nouveau appuyer sur la touche START de manière à afficher l'heure à laquelle doit commencer la cuisson, faute de quoi celle-ci ne débutera pas à l'heure prévue.
- S'assurer que les aliments peuvent être conservés sans risque dans le four jusqu'à l'heure de leur cuisson. Les courges et potirons font partie de ceux-là.
- Pour connaître l'heure, appuyer sur la touche TIMER/CLOCK. L'heure est affichée aussi longtemps que l'on maintient la pression d'un doigt sur cette touche.

4. Choix de la langue et des unités de poids

Par défaut, ce four affiche les messages et les unités de poids en anglais. Pour changer cela, appuyer sur la touche SETUP/HELP et sur la touche 4 autant de fois qu'il est nécessaire pour obtenir la langue et le système d'unités souhaité. Enfin, appuyer sur la touche START.

Appuyer sur la touche 4 pour choisir la langue et le système d'unités.

NOMBRE DE PRESSIONS SUR 4	LANGUE	UNITÉ DE POIDS AFFICHÉE	AFFICHEUR	
Une fois	Anglais	Livre	ENGLISH	LB
Deux fois	Anglais	Kilo	ENGLISH	KG
3 fois	Espagnol	Livre	ESPAÑOL	LB
4 fois	Espagnol	Kilo	ESPAÑOL	KG
5 fois	Français	Livre	FRANCAIS	LB
6 fois	Français	Kilo	FRANCAIS	KG

5. Horloge marche/arrêt

Pour éteindre l'affichage de l'horloge, appuyez sur SETUP/HELP, le chiffre 5 et STOP/CLEAR.

Pour annuler et remettre l'horloge, appuyez sur SETUP/HELP, le chiffre 5 et START.

Start (Démarrer)

START permet de cuire à puissance maximale (100 %) aussi longtemps que l'on maintient la pression d'un doigt sur la touche START. START est parfait pour faire fondre du fromage, porter du lait à une température tout juste inférieure à la température d'ébullition, etc. La durée maximale d'utilisation est de 3 minutes.

- Supposons que vous vouliez faire fondre du fromage sur une rôti.

START	1. Maintenir la pression d'un doigt sur la touche START. La durée s'affiche.
	2. Lorsque le fromage a atteint l'onctuosité désirée, relâcher la pression du doigt sur la touche START. Le four cesse immédiatement de fonctionner.

REMARQUES :

- Noter les temps nécessaires à diverses opérations fréquentes et les programmer pour une utilisation future.
- La touche START n'a d'effet que dans la minute suivant une cuisson, l'ouverture et la fermeture de la porte ou une pression sur la touche STOP/CLEAR.
- La touche START ne peut être utilisée que trois fois de suite. Si plus de temps est nécessaire, ouvrir et fermer la porte ou la clé STOP/CLEAR de touche.

Mode de démonstration

La démonstration du fonctionnement du four s'obtient en appuyant sur la touche TIMER/CLOCK, la touche 0 et la touche START pendant 3 secondes. L'indication DEMO ON DURING DEMO NO OVEN POWER Les différents modes de cuisson et les particularités du four peuvent alors être étudiés sans qu'aucune puissance ne soit utilisée. Par exemple, en appuyant sur EASY MINUTE on affiche 1:00 et on provoque un compte à rebours rapide jusqu'à END.

Pour annuler, appuyer sur la touche TIMER/CLOCK, puis sur le chiffre 0 et STOP/CLEAR. Si cela est plus facile, débrancher le four de la prise électrique et le rebrancher.

Easy Minute (Minute Facile)

Easy Minute vous permet de cuire pendant une minute à 100 % simplement en appuyant sur la touche EASY MINUTE. Vous pouvez aussi prolonger la durée de cuisson de multiples fois 1 minute en appuyant répétitivement sur EASY MINUTE en mode manuel de cuisson.

REMARQUES :

- Pour utiliser EASY MINUTE, appuyer sur la touche dans les trois minutes après la cuisson, en fermant la porte ou en appuyant sur la touche STOP/CLEAR.
- On ne peut pas utiliser Easy Minute avec Sensor Cooking, MENU OPTIONS ou KEEP WARM.

Timer/Clock (Minuterie/l'horloge)

- Pour régler le minuteur :

TIMER CLOCK	1. Appuyer sur la touche TIMER/CLOCK.
1	2. Appuyer sur la touche 1. Appuyer sur la touche de nombre pour entrer le temps.
TIMER CLOCK	3. Appuyer sur la touche TIMER/CLOCK. La minuterie (TIMER) comptera à rebours.
À la fin du cycle de la minuterie (Timer), l'afficheur indiquera le message suivant : TIMER IS FINISHED.	

REMARQUE :

Pour annuler la minuterie durant la programmation, actionner la touche STOP/CLEAR.

Débrancher le cordon secteur avant de nettoyer, ou laisser la porte ouverte pour inactiver le four micro-ondes durant son nettoyage.

Autres surfaces extérieure

La surface extérieure est recouverte d'une couche de peinture. Nettoyer la surface extérieure à l'eau et au savon; rincer et sécher au moyen d'un chiffon doux. Ne pas utiliser de produits chimiques de nettoyage ou de produits abrasifs.

Porte

Essuyer les deux surfaces du hublot à l'aide d'un chiffon humide pour enlever les éclaboussures. Il est plus facile de nettoyer les parties métalliques si on les essuie fréquemment avec un chiffon humide. Éviter tout emploi de produits nettoyants vaporisés ou abrasifs car ils peuvent tacher, strier ou ternir la surface de la porte.

Les nettoyeurs qui sont conçus spécialement pour être utilisés avec l'acier inoxydable peuvent être utilisés. Suivre à la lettre les instructions sur l'emballage. Éviter d'utiliser un nettoyant abrasif ou un nettoyant qui n'est pas conçu spécialement pour être utilisé avec l'acier inoxydable étant donné que cela peut tacher, strier ou ternir la surface de la porte.

Tableau de commandes

Nettoyer le tableau de commandes avec soin. Ouvrir la porte du four avant de le nettoyer. Essuyer le tableau de commande avec un chiffon humecté d'eau. Sécher avec un chiffon doux. N'utiliser ni poudre à récurer ni produits chimiques de nettoyage. Refermer la porte et appuyer sur la touche STOP/CLEAR.

Autres parois intérieures

Le nettoyage est facile car les parois intérieures n'absorbent qu'une faible quantité de chaleur de telle sorte que les éclaboussures ne cuisent pas. Pour nettoyer les parois intérieures, utiliser un chiffon doux et de l'eau tiède. **NE PAS UTILISER UN PRODUIT ABRASIF OU UN TAMPON À RÉCURER.** Pour les taches tenaces, utiliser du bicarbonate de sodium ou un savon doux. Bien rincer à l'eau chaude. **NE JAMAIS VAPORISER DE PRODUIT À NETTOYER LES FOURS DIRECTEMENT SUR L'UNE OU L'AUTRE PARTIE DE VOTRE FOUR À MICRO-ONDES.**

Couvercle du guide d'ondes

Le couvercle du guide d'ondes est en mica et nécessite donc une attention spéciale. Maintenir le couvercle du guide d'ondes propre pour assurer un bon fonctionnement du four. Essuyer immédiatement et délicatement avec un chiffon humide toute éclaboussure d'aliments sur la surface du couvercle. Une accumulation d'éclaboussures peut surchauffer et causer de la fumée ou même s'enflammer. Ne pas retirer le couvercle du guide d'ondes.

Désodorisation

Il peut arriver qu'une odeur persiste dans le four. Pour l'éliminer, mettre dans un récipient pouvant contenir 2 tasses, 1 tasse d'eau, le zeste d'un citron, le jus du citron et plusieurs clous de girofle entiers. Faire bouillir pendant plusieurs minutes à 100%. Conserver ce récipient dans le four jusqu'à ce qu'il soit froid. Essuyer l'intérieur du four avec un chiffon doux.

Plateau tournant et support de plateau tournant

Le plateau tournant et son support peuvent être retirés pour faciliter le nettoyage. Les laver dans une eau douce savonneuse; pour les taches tenaces, utiliser un nettoyant doux et une éponge à récurer tel que décrit ci-dessus. Ces pièces peuvent être mises dans un lave-vaisselle. Les placer sur le plateau supérieur. L'arbre du moteur du plateau tournant n'est pas scellé et il faut donc essuyer immédiatement tout surplus d'eau ou déversement.

Tension d'alimentation :	Monophasé 120 V, 60 Hz, courant alternatif seulement
Alimentation requise :	1 500 W 13,0 A
Puissance micro-ondes de sortie :*	1 100 W
Fréquence :	2450 MHz
Dimensions extérieures :	61 cm (L) x 34 cm (H) x 49 cm (P) / 24 (L) x 13 ³ / ₈ (H) x 19 ¹ / ₄ (P) po
Dimensions de la cavité :	44,13 cm (L) x 26,67 cm (H) x 47,31 cm (P) / 17 ³ / ₈ (L) x 10 ¹ / ₄ (H) x 18 ⁵ / ₈ (P) po
Capacité du four :**	56,6 L (2.0 pi ³)
Uniformité de cuisson :	Plateau tournant, le diamètre 16 po
Poids :	Environ 20,9 kg (46 lb (l))

Cumple con las normas establecidas por :

- * Método estandarizado de la Comisión Electrotécnica Internacional para la medición de la potencia en vatios de salida. Este método de prueba es ampliamente reconocido.
- ** La capacidad intérieure est calculée en mesurant la largeur maximale, la profondeur maximale et la hauteur maximale et en multipliant ces mesures. La contenance réelle est inférieure au résultat obtenu.

Cumple con las normas establecidas por :

FCC – Federal Communications Commission authorized.

DHHS – Conforme au règlement CFR Title 21 chapitre I section J du Department of Health and Human Services.



– Ce symbole sur la plaque signalétique signifie que le produit est homologué par Underwriters Laboratories, Inc. pour utilisation aux États-Unis ou au Canada.

Vérifier ce qui suit avant de faire appel à un réparateur :

Placer une tasse d'eau dans un verre gradué dans le four et bien fermer la porte.

Faire fonctionner le four pendant 1 minute à puissance ÉLEVÉE 100%.

OUI ___ NON ___ Est-ce que la lumière du four est allumée?

OUI ___ NON ___ Est-ce que le ventilateur de cuisson fonctionne? Placer sa main sur l'évent à lame à l'arrière du four.)

OUI ___ NON ___ Est-ce que le plateau tournant tourne? (Il est normal pour le plateau de tourner dans un sens ou dans l'autre.)

OUI ___ NON ___ Est-ce que l'eau est chaude?

Si la réponse à l'une ou l'autre de ces questions est NON, vérifier la prise électrique, le fusible ou le disjoncteur. S'ils fonctionnent convenablement, COMMUNIQUER AVEC LE RÉPARATEUR DACOR AUTORISÉ LE PLUS PROCHE. Il ne faut jamais réparer un four à micro-ondes soi-même.

REMARQUE : Si le temps qui apparaît dans l'affichage diminue très rapidement, vérifier le mode de démonstration à la page 23 et annuler.

Classe de garantie	Description de la couverture de garantie
0	Les portes, les poignées, le verre, les cadres de produits, les racks, les surfaces intérieures et extérieures sont couverts par une garantie limitée de 30 jours sur les pièces uniquement pour les défauts esthétiques dont il est prouvé qu'ils proviennent de l'usine. Il incombe au propriétaire d'inspecter le produit et de signaler toute réclamation de ce type dans ce délai de 30 jours.
1	1 an sur les pièces et main d'œuvre
2	2 ans sur les pièces et main d'œuvre
5	5 ans sur les pièces et main-d'œuvre sur les composants du système scellé suivants uniquement : compresseur, condenseur, évaporateur, sécheur et tubulure de raccordement
5 p	5 ans sur pièces uniquement sur les composants du système scellés suivants : compresseur, condenseur, évaporateur, sécheur et tubulure de raccordement
12 p	12 ans sur pièces uniquement sur les composants du système scellés suivants : compresseur, condenseur, évaporateur, sécheur et tubulure de raccordement



Enregistrez votre produit en ligne

Classe de produit	Garanties applicables		
	F4 Série	F6 Série	F7 Série
Cuisinières déroulantes		0,2	
Fours intégrés (y compris la vitesse et la vapeur), cafetières et tiroirs chauffants		0,2	
Hauts de gamme		0,2	
Micro-ondes	0,1		0,2
Plages autoportantes		0,2	
Nettoyage (lave-vaisselle)	0,1		0,2
Réfrigération et cave à vin	0,1	0,2,5p	0, 2, 5, 12p
Hottes de ventilation		0,2	

Pour preuve de garantie, veuillez conserver la facture d'achat originale et le bordereau de livraison.

Pour obtenir un service sous ces garanties, vous devez:

1. Contacter le service autorisé Fulgor-Milano pour l'Amérique du Nord :



En ligne à l'adresse <https://www.fulgor-milano.com/us/fr/assistance>

Au numéro vert 1-855-4-FULGOR (1-855-438-5467)

2. Fournir une copie de votre reçu d'achat original avec le numéro du modèle et les informations sur le numéro de série du produit.
3. Donner à Fulgor Milano la possibilité d'enquêter raisonnablement sur la réclamation avant que le Produit ou un composant du Produit ait été modifié ou retiré.

CONDITIONS APPLICABLES AUX PRÉSENTES GARANTIES

Toutes les garanties applicables pour chaque classe fonctionnent simultanément. Conformément à la classe de garantie applicable, la garantie Fulgor Milano couvre toutes les pièces et/ou la main-d'œuvre pour réparer ou remplacer, dans le cadre d'une utilisation résidentielle normale, toute pièce du produit qui s'avère défectueuse en termes de matériau ou de fabrication à la suite du processus de fabrication d'origine.

Ces garanties ne sont valables que dans les États contigus des États-Unis, y compris le district de Columbia et de l'Alaska et le Canada. Ces garanties s'appliquent uniquement à l'acheteur d'origine et ne sont pas transférables. Tous les services fournis par Fulgor Milano en vertu de la garantie applicable doivent être effectués par un réparateur agréé Fulgor Milano, sauf indication contraire écrite de Fulgor Milano. Le service sera offert pendant les heures normales d'ouverture de chaque région.

Ces garanties s'appliquent uniquement aux produits achetés auprès d'un concessionnaire agréé par l'intermédiaire d'une chaîne de distribution agréée et qui sont installés pour une utilisation résidentielle normale et ne s'appliquent pas à une utilisation commerciale ou à bord de yachts. Ces garanties ne couvrent que le service effectué à l'emplacement de l'installation du produit et ne couvrent pas les coûts associés à la réparation hors site, sauf autorisation expresse de Fulgor Milano, ni les frais de déplacement associés à la fourniture du service à des emplacements éloignés. Les emplacements éloignés sont définis comme étant situés à l'extérieur d'un rayon de 80 kilomètres (50 miles) de tout concessionnaire autorisé de briques et mortiers. Ces garanties ne couvrent pas les pièces ou la main-d'œuvre nécessaires pour corriger tout défaut causé par la négligence, le transport, la livraison, une tension ou un accident inappropriés ou une utilisation, un entretien, une installation, un service ou une réparation inappropriés, y compris, mais sans s'y limiter, le retrait et la réinstallation inappropriés de tout composant du produit (c.-à-d. le retrait des poignées pour les monter à travers les portes) avant ou pendant la livraison/l'installation du produit. Les recours décrits dans les présentes sont les seuls que Fulgor Milano fournira, soit en vertu de ces garanties, soit en vertu de toute garantie découlant de l'application de la loi. Fulgor Milano ne sera pas responsable de la perte de contenu due à la détérioration, à la congélation

ou au brûlage, ni des dommages dérivant de l'armoire environnante, aux matériaux de construction ou aux matériaux de finition tels que, mais sans s'y limiter, les revêtements de sol. Fulgor Milano ne sera pas responsable des dommages indirects ou accessoires découlant de la violation de ces garanties ou de toute autre garantie, expresse, implicite ou légale.

La garantie ne sera valable et effective que sur présentation du document indiquant la date d'achat de l'appareil, et plus particulièrement de la facture, de la preuve d'achat ou du document équivalent correspondant indiquant le nom du vendeur, la date de livraison et les données d'identification de l'appareil (comme le numéro du modèle et le numéro de série). Dans le cas d'un nouveau produit inclus dans l'achat d'une nouvelle construction résidentielle ; ces garanties s'appliquent au résident d'origine de l'emplacement contenant le produit Fulgor Milano et la garantie commencera à la date d'occupation de la résidence (preuve d'occupation requise) jusqu'à un maximum de six mois supplémentaires à compter de la date de livraison du produit par la société de développement auprès du distributeur ou du concessionnaire. Cette extension ne s'applique pas à la garantie esthétique de classe 0.

Ces garanties ne sont valables que si la différence entre la date d'achat et la date de production du produit est inférieure à dix-huit mois. Tout produit qui a été entreposé pendant plus de cette période ne sera couvert que par la garantie B-Stock de Fulgor Milano.

Pendant la période de garantie, Fulgor Milano se réserve le droit d'évaluer la possibilité de réparer l'appareil ou, à sa discrétion, de proposer de le remplacer par un produit Fulgor Milano de fonctionnalités et fonctionnalités équivalentes, mais ne peut garantir que le modèle exact sera toujours disponible. Fulgor Milano se réserve le droit de réviser ces garanties à tout moment.

Certains États n'autorisent pas l'exclusion ou la limitation des dommages accessoires ou consécutifs, de sorte que la limitation ou l'exclusion ci-dessus peut ne pas s'appliquer à vous. Ces garanties vous donnent des droits légaux spécifiques et vous pouvez également avoir d'autres droits qui varient d'un État à l'autre.

* Les ampoules/LED de rechange ne sont couvertes que par les termes de la garantie esthétique de classe 0, 30 jours.

FULGOR
MILANO

YOUR LIFE | OUR PASSION

www.fulgor-milano.com/us

TINSKB283MRR1_6-22-22