

FM4BM30FBI
FM4BM30IFBI

FRIDGE

INSTALLATION GUIDE



TABLE OF CONTENTS	PAGE
1. Important Instructions	2
1.1 Important safety instructions	2
1.2 Children safety	3
2. Technical Requirements	3
2.1 Appliance features and installation requirements	3
3. Preparing The Installation	4
3.1 Transport to installation site and unpacking	4
3.2 Pre-installation	4
3.3 Installation Location	4
3.4 Preparation of Cabinetry	4
3.5 Ventilation	4
3.6 Electrical Connection	4
3.7 Water Connection	5
4. Niche Dimensions	6
4.1 Niche Dimensions and Installation	
4.2 Recommended Overlay Panel Dimensions	
5. Unpacking	8
5.1 Unpacking and removing the connectors on the side wall of unit	8
5.2 Removing the Mounting Parts in the Freezer Compartment unit	8
5.3 Removing the lower and upper vent grill cover	8
6. Installation	9
6.1 Mounting the Anti-Tip Brackets	9
6.2 Alternative anti-tip method	10
6.3 Preparing the Water Hose	10
6.4 Preparing the Electrical	10

TABLE OF CONTENTS	PAGE
6. Cabinet Installation	11
7.1 Removing fridge from the wooden pallet	11
7.2 Putting unit into cabinet niche	11
7.3 Adjusting the height of the refrigerator in the niche	12
7.4 Adjusting the refrigerator according to the cabinet niche	12
7.5 Screwing the side brackets	13
7.6 Securing the upper bracket	13
7. Bottom Cabinet Installation	14
8.1 Complete the water connection	14
8.2 Attaching the upper vent hole part	14
8.3 Attaching the lower vent hole assembly	14
8.4 Attaching the decorative finishing trims	14
9. Hinge Adjustment and Reversing the Door Swing	15
9.1 Adjusting the spring tension of the hinge	15
9.2 Replacing the hinges	16
9.3 Installing the Upper Door	16
10. Overlay Panel Installation and Preparation	17
10.1 Choosing the Door Thickness	17
10.2 Removing the overlay panel mechanism covers	17
10.3 Panel Brackets	17
10.4 Preparing the overlay panels	18
10.5 Preparing the lower drawer panel	18
10.6 Installing the upper door panel	19
10.7 Re-Installing the freezer drawer front	20
10.8 Panel Adjustments	21
11. Warranty	23

1 - Important Instructions

1.1 Important safety instructions

Symbols used in the Guide:

NOTE

Tips for the correct use of the appliance

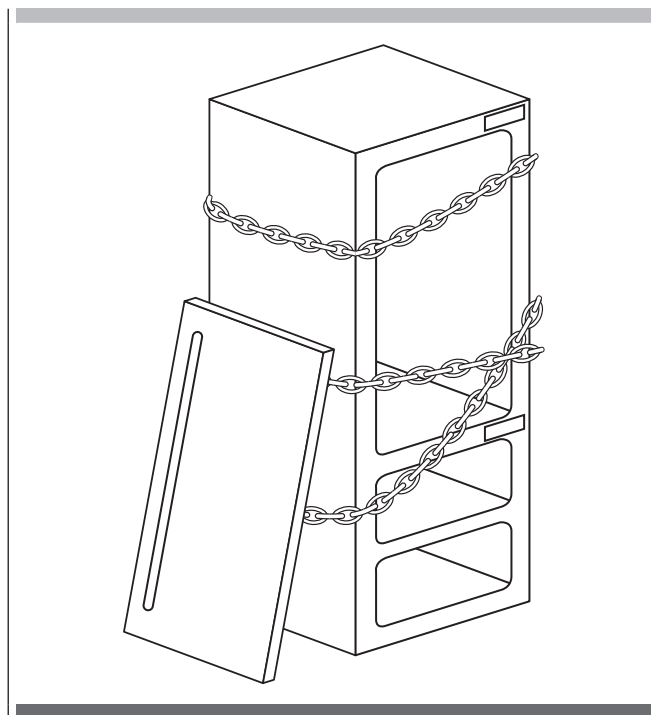
IMPORTANT

Directions to avoid appliance damage

WARNING

Directions to prevent injury

1.2 Children safety



DANGER: Risk of child entrapment. Before you throw away your old refrigerator or freezer:

- Take off the doors
- Leave the shelves in place so that children may not easily climb inside.

2.1 Appliance features and installation requirements

Appliance dimensions Overlay Built-In Series	
Series 30"	w: 29-11/16" (754mm) h: 83-1/4" (2115mm) d: 23-5/8" (600mm)

Packaging dimensions	
Series 30"	w: 32 5/16" (820mm) h: 90-9/16" (2300mm) d: 26-3/8" (678mm)

Weight with packaging	
Series 30"	up to 507 lbs (230 kg)
Weight without packaging	
Series 30"	up to 496 lbs (225 kg)

Voltage	AC 110 - 120V 60Hz
Power supply cable	90° Nema 5-15P
Water supply pressure	between 25psi to 80psi (1.7 Bar - 5.5 Bar)

3. Preparing for the Installation

3.1 Transport to installation site and unpacking

!!! WARNING

The product can present a tip hazard if not secured to adjacent cabinets or if anti tip brackets are not installed. Due to tip hazard handle with care when unpacking and transporting the unit.

To avoid injury or death it is recommended that the installation and repair be conducted by a qualified contractor. Before installing the appliance, make sure that the voltage, load and circuit current parameters on the data plate are in compliance with the power mains in your house.

! IMPORTANT

Please wait for 3-6 hours before energizing the product to protect it against possible damages. This way, the refrigerant and the lubricants in the system get balanced.

3.2 Pre-installation

- Always ensure ventilation holes are respected to ensure proper function of unit.
- Please ensure min clearances from unit and surrounding structures are respected.
- It is recommended the product be connected to a correct 3 prong receptacle on a dedicated 15 amp circuit, local electrical and building codes should be respected. Failure to comply may result in death, fire or electric shock. Always connecting the grounding conductor properly to avoid electric shock, if unsure confirm proper grounding of the product by a qualified electrician.
- The appliance is provided with a cULs listed NEMA 5-15 P plug and a 3-pin power cable to be connected to a 120 V, 60 Hz power supply.
- Where applicable water connection should be conducted by a qualified contractor and tested prior to installation
- A circuit breaker, fuse, or socket must be accessible to disable power to the product if required.
- Extension cords and other non approved wiring (ungrounded two-terminal) adapters must never be used.
- It is recommended the product be installed by a qualified technician according to the local building codes and installation instructions

3.3 Installation Location

- It is recommended that the floor at the install location be suitable for bearing the weight of the unit and food weight.
- Ensure the floor is flat and level from front to back to ensure ease of installation and unobstructed airflow.
- The power socket and water supply (if applicable) must be located correctly as per instructions.

- Dimensions of the cabinet niche must meet the necessary dimensions given in the manual.
- It is recommended the installation area not be located in proximity to heat sources, ovens, radiators etc. This is to ensure the unit can dissipate the heat generated during operation.
- The ambient temperature must be between 55°F (13° C) and 110°F (43°C). Otherwise, function errors may arise when the product is running.
- Never install this unit in an area exposed to temperatures below freezing.

3.4 Preparation of Cabinetry

- Ensure cabinets openings have provided the correct niche and that cabinets are correctly installed and properly secured to surrounding walls and floor.
- For the best installation results, product clearances from cabinets should be as specified in the installation instructions.
- Minimum thickness of the doors to be attached to the product must be ¾" (19 mm) .

3.5 Ventilation

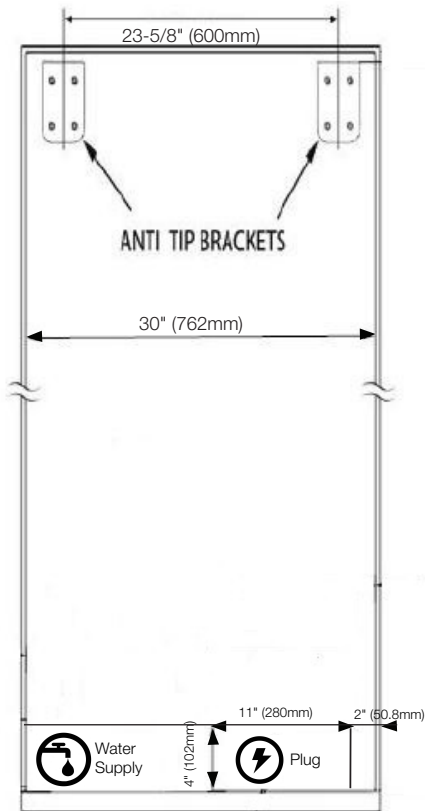
- Ventilation openings must never be obstructed where the air enters and exits the unit. Consumer must periodically clean the dust and debris that can accumulate on the grill over time.

3.6 Electrical Connection

- Follow niche diagram for proper outlet location (refer to niche diagram).
- It is required the product be connected to the correct 3 prong receptacle on a dedicated 15 amp circuit, local electrical and building codes should be respected. Failure to comply may result in death, fire or electric shock.
- Always connecting the grounding conductor properly to avoid electric shock, if unsure confirm proper grounding of the product by a qualified electrician.
- Ensure power is off to unit before plugging in appliance.
- Power up before final installation to ensure proper connection and power supply .

3.7 Water Connection (where applicable)

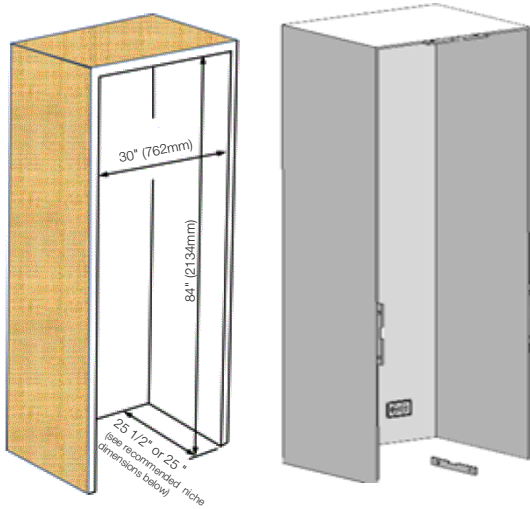
- Location of the water supply (refer to niche diagram).
- Water system of the refrigerator must be connected to the potable water main in the house with a valve that is accessible in an adjacent cabinet, so that it is accessible after installation.
- Supplied water pressure should be between 25-80 psi (1.7-5.5 Bar) for proper function of ice maker and water dispenser.
- Water pressure from RO systems are typically insufficient for proper function of the ice maker.
- Install a pressure limiting device if the water pressure exceeds 80 psi.
- Inspect all water connections for leaks. Water leaks can cause excessive damage over time.
- It is recommended to use a 1/4" supply line with a min length of 60" (1.5 m) with a threaded 1/4" female connector end.
- Before completing the installation turn water on to ensure water is flowing, and there are no leaks.



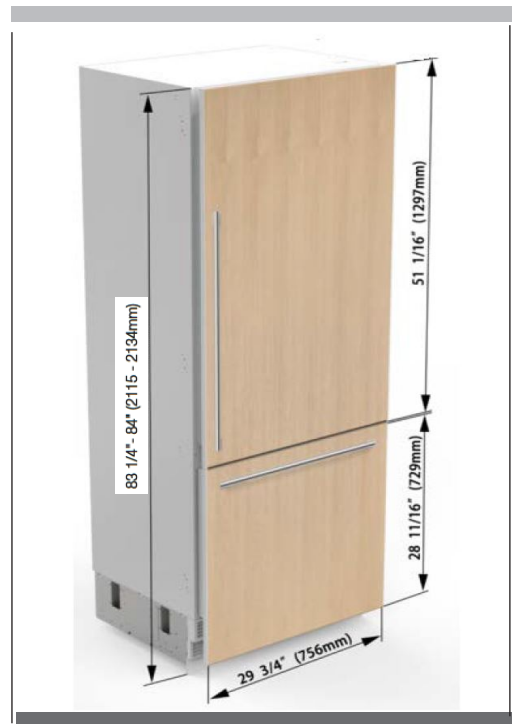
- * Water supply: Applicable to ice maker models only
- * Electrical: Power cord length: 86.6" (2200mm)

4.1 Niche Dimensions and Installation:

- Cabinet niche dimensions should always be confirmed before starting the installation
- Confirm that the floor where the refrigerator is to be installed is level with a Bubble Level Tool
- Check the cabinets are vertically level
- If flooring and cabinets are not level, desired installation result may not be achieved
- Check the cabinets are vertically leveled



Dimensions Images



RECOMMENDED NICHE DIMENSIONS:

Width: 30" (762mm)
Height: 84" (2134mm)

Depth: 25 1/2" (24 3/4" (629mm) + 3/4" panel thickness for flush to gable finish).
Alternatively, 25" (when using a recessed receptacle or if receptacle is in an adjacent cabinet kick space).

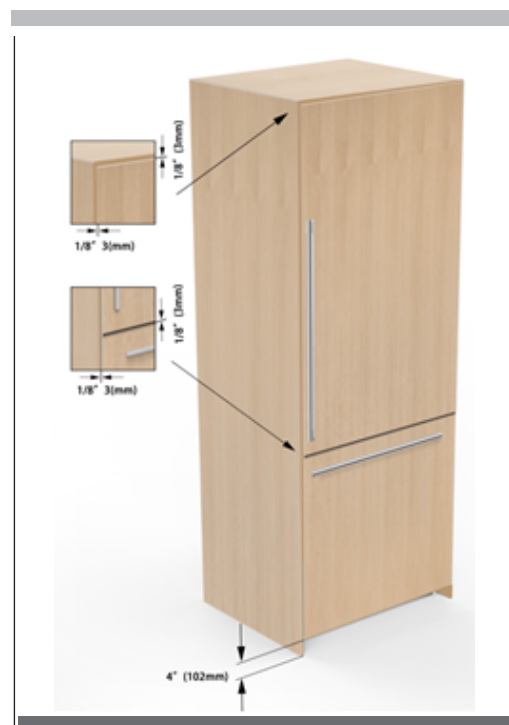
4.2 Recommended Overlay Panel Dimensions

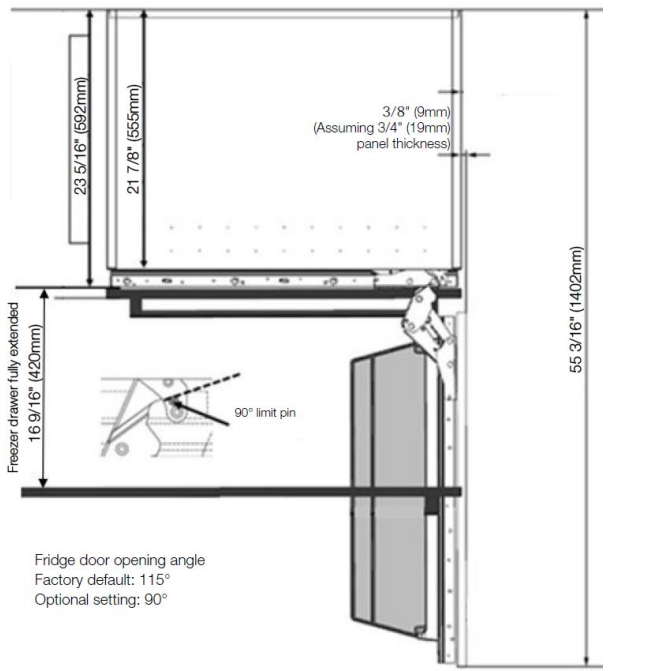
Fridge Panel

Height, in (mm) 51-1/16 (1297)
Width, in (mm) 29-3/4 (756)
Thickness, in (mm) Min. 3/4 (19) – Max. 1-1/4 (32)
Max. Weight, lbs (kg) 35 (16)

Freezer Panel

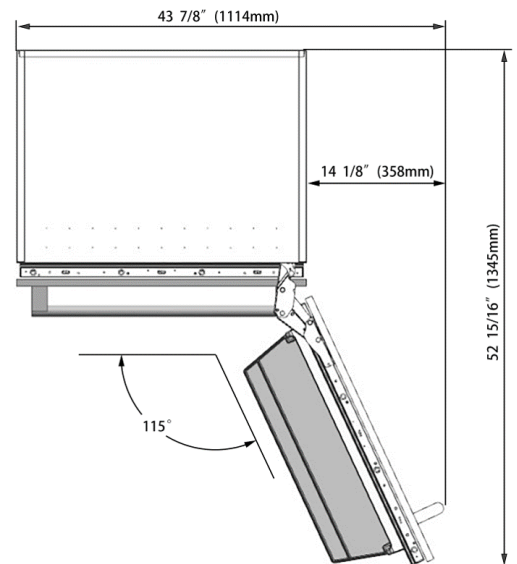
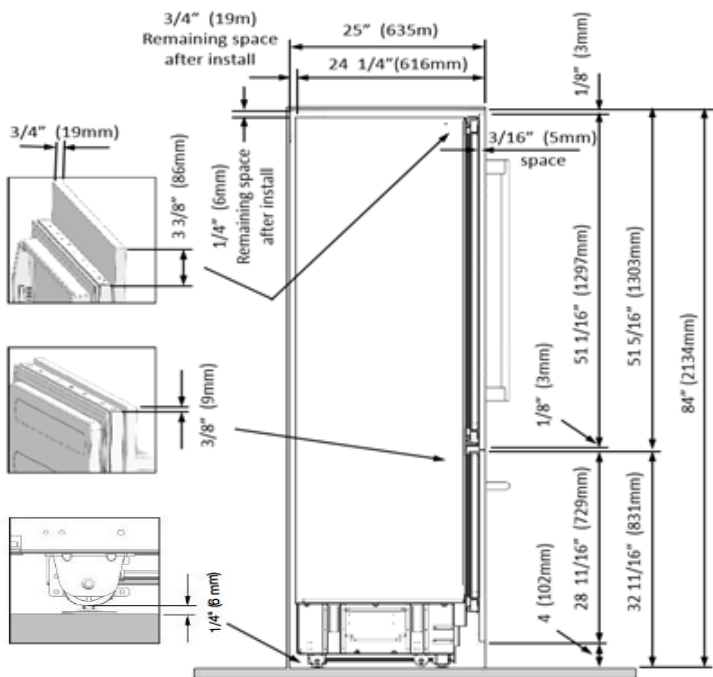
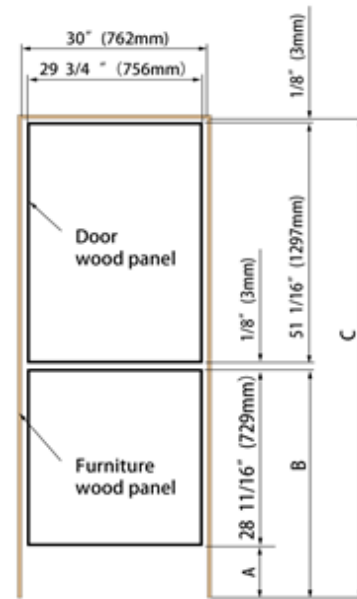
Height, in (mm) 28-11/16 (729)
Width, in (mm) 29-3/4 (756)
Thickness, in (mm) Min. 3/4 (19) – Max. 1-1/4 (32)
Max. Weight, lbs (kg) 19 (9)





- Distances between the cabinet doors and the kitchen cabinet must be 1/8" (3 mm) minimum.
- Height of the Kitchen Toe kick Based on the Min./Max. Height of the Cabin.

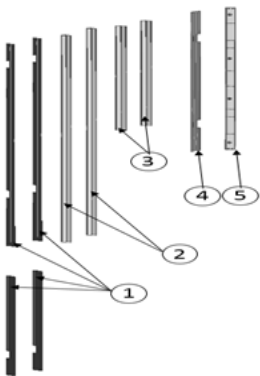
	A	B	C
standard	4" (102mm)	32 11/16" (831mm)	84" (2134mm)
minimum	3 13/16" (97mm)	32 1/2" (826mm)	83 13/16" (2129mm)
maximum	5 3/8" (137mm)	34 1/8" (866mm)	85 3/8" (2169mm)



5. Unpacking

5.1 Unpacking and removing the connectors on the side wall of unit

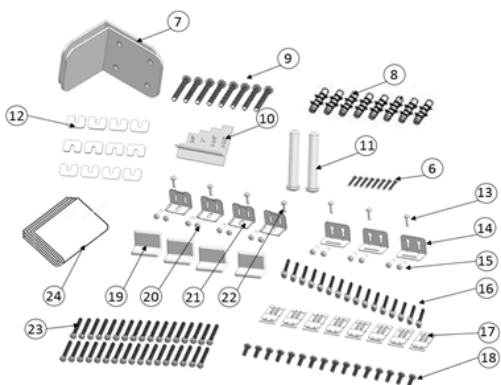
1. Side furniture connection bracket closing parts
2. Seals between the Furniture, Door and Inner Door for the Fridge (Already attached in products with clad doors)
3. Seals between the Furniture, Door and Inner Door for the Freezer (Already attached in products with clad doors)
4. Upper furniture connection bracket closing part
5. Freezer Door upper cover



5.2 Removing the Mounting Parts in the Freezer Compartment unit

- Open the Freezer Compartment door and remove the Mounting Boxes and documents in the Crisper.

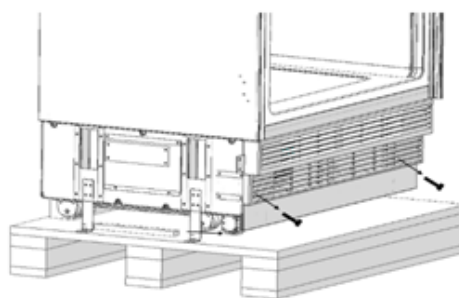
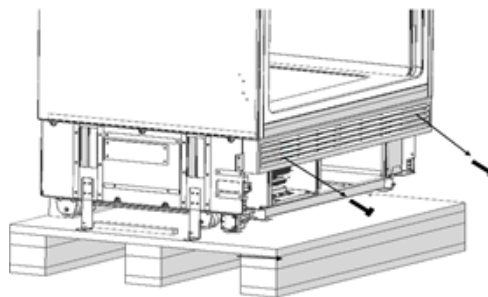
Parts in the Mounting Box in Products with Furniture Doors



- #7. Anti-Tip Bracket
- #8. Wall Anchor
- #9. Anti-Tip Bracket Screws
- #10. Position adjustment part
- #11. 90° limiting pins
- #12. Freezer panel door adjustment washer
- #13. Freezer door bracket screw
- #14. Freezer door bracket
- #15. Freezer door bracket screw
- #16. Furniture cabinet bracket screw M4*12
- #17. Furniture cabinet bracket
- #18. Furniture cabinet bracket screw ST4x14
- #19. Panel door bracket cover
- #20. Panel door bracket screw M4*12
- #21. Panel door bracket
- #22. Panel door bracket screw ST4x14
- #23. Panel door hanger bracket screw
- #24. Panel door template

5.3 Removing the lower and upper vent grill cover

- Required for water connection or repair work to condenser sealed system
- Remove the 2 screws to take out the Lower Vent Hole Assembly
- Remove the 2 screws to take out the Upper Vent Hole Part



6. Installation

! IMPORTANT

The following instruction for installation apply to all models.

Continue to install the product according to the instructions below. Additionally, consider national and local instructions regarding installation.

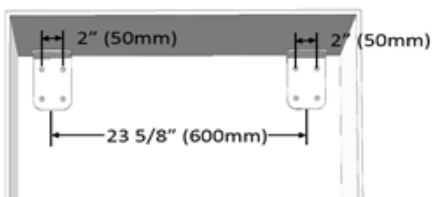
Please observe the following:

- For the USA, The National Electrical Code, ANSI/NFPA 70 – last version/State or Municipality directives and/or regional directives.
- For Canada, The Canadian Electrical Code, C22.1 last version/State or Municipality directives and/or regional directives.

6.1 Mounting the Anti-Tip Brackets

- Always use supplied Anti-Tip Brackets to prevent the appliance from tipping over, if the unit cannot be secured to cabinetry, which in turn must be secured to wall, to prevent tipping.
- Ensure that there is no electrical or water in the adjacent cabinets where the mounting screws will screw into, to secure the refrigerator.

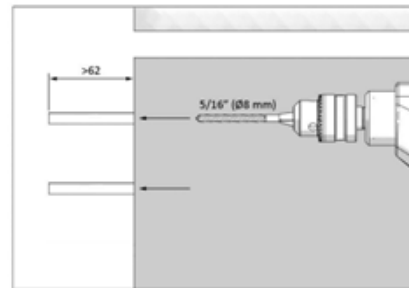
Mark the wall for Anti-Tip Brackets (#7).



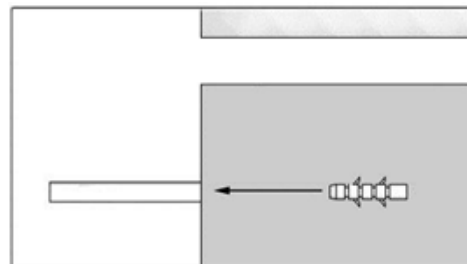
- Using a stud-finder, secure the anti-tip brackets into wall studs for the most secure installation. If no stud is present in the proper location, use the following instructions:
- Use a drill to create holes for (#8) drywall anchors at the marked points. (5/16" – Ø8)

!!! WARNING

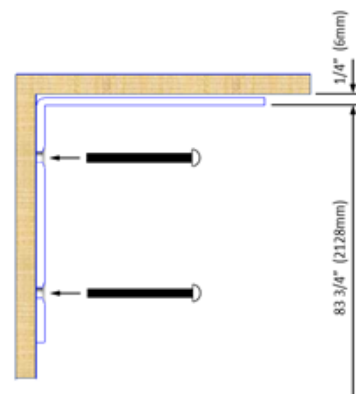
Always ensure the area to be drilled into is free of any waterlines or electrical circuits which could cause, damage, injury or death.



- Install provided anchors (#8) if no stud is present.



- Fit the brackets (#7) into place, always use 4 screws for each.



- You must use both brackets to ensure safe support of the product.

! IMPORTANT

If you are not comfortable the supplied connection and anti tip brackets are fit to the wall as securely as they should be, you can use alternative anti-tip methods.

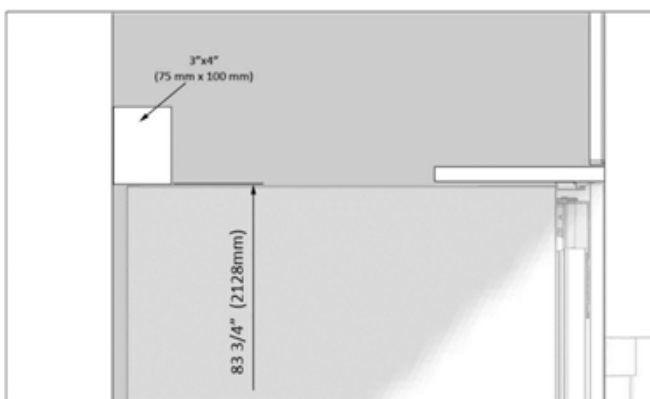
If there is a cabinet panel at the back wall of the refrigerator, please make sure that it is securely fixed to the wall. For this, you need to be sure that the back wall of the cabinet panel is affixed to the wall stud.

6.2 Alternative anti-tip method:

- If the anti-tip brackets cannot be connected securely, you must use the alternative blocking method below.
- In this method, you can use wooden blocking to avoid the risk of tipping over.
- It must be installed as illustrated in the figure below.
- There must be no clearance between the product and the wooden girder.
- Minimum section dimensions of the wooden girder must be 3"x4" (75 mm x 100 mm). Width of the girder must be equal to the clearance where it will be installed. This can be achieved using a 1 X 4"x4" or 2 X 2"x4" framing lumber
- The calculation of blocking depth is based on a standard niche depth, if the depth of niche is greater than 24", insure the blocking overlaps the upper rear fridge body by 2"
- Select the location of the wood blocking and affix to wall studs using suitable screws or fasteners and connect safely.

!!! WARNING

Quantity and type of screws or fasteners to be used for affixing wood blocking must be suitable to ensure a secure connection to the rear wall.



6.3 Preparing the Water Hose

- Inspect all water connections for leaks. Water leaks can cause excessive damage over time. It is recommended to use a 1/4" supply line with a minimum length of 60" (1.5 meters) with a threaded 1/4" female connector end. Before completing the installation turn water on to ensure water is flowing, and there are no leaks.
- Allow for sufficient slack in water supply line providing minimum 10" of length from base of unit once installed in niche. This provides some tolerance for connections and adjustments if needed.

6.4 Preparing the Electrical

- It is required the product be connected to the correct 3 prong receptacle on a dedicated 15 amp circuit, local electrical and building codes should be respected.

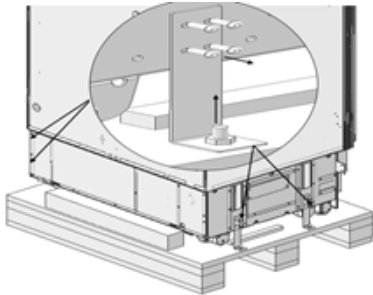
!!! WARNING

Failure to comply may result in death, fire or electric shock. Always connecting the grounding conductor properly to avoid electric shock, if unsure confirm proper grounding of the product by a qualified electrician. Power up before final installation to ensure proper connection and power supply.

7. Cabinet Installation

7.1 Removing fridge from the wooden pallet

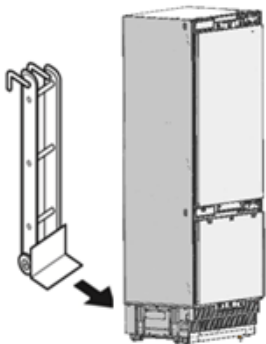
- Remove brackets which secure the fridge to pallet as shown below.



- With the help of a second person carefully recline the refrigerator and remove from pallet ensuring no damage to the underside of unit. When transporting unit always carry from side to ensure feet of unit are on the fridge cart base.

! IMPORTANT

Use extreme caution when handling the unit, as the underside of fridge has components vital to the proper operation of the unit, damage to these components could result in a malfunction or potential leaking of condensate and damage to floors.

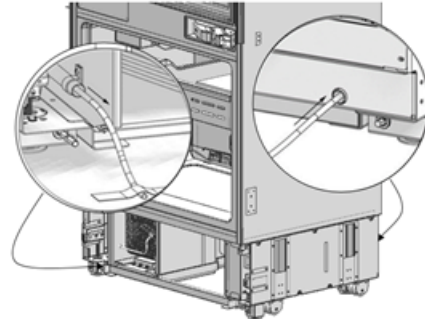


!!! WARNING

The risk of tipping over is high as of this point. You should not open the doors until the product is placed into the cabinet.

7.2 Putting unit into cabinet niche

- Insert the water hose through the channel opening at back of unit and pull through to the front of the unit to ensure water connection can be made once unit is installed into niche



NOTE

IMPORTANT INFORMATION

Installation Tip #1 – protect the front edge of cabinet niche with masking tape (suitable for use with this application to avoid damage) this will help protect the front edge from damage when pushing the unit back into the niche

Installation Tip #2 – use some of the packing tape to secure the excess electrical cord to back of unit to prevent slack from catching under the unit during install

Connect the electrical plug to the socket on the product.

Turn on the unit to ensure it has power

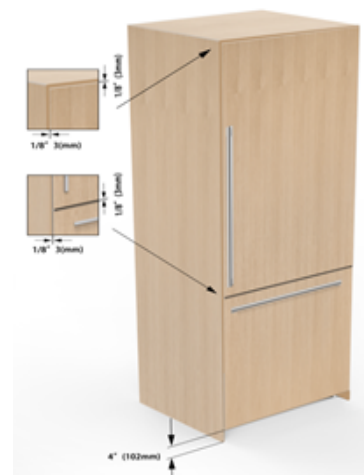
Push the product carefully towards the cabin to place it, the unit should slide into niche with relative ease.

If the unit is not rolling back easily check for obstructions such as, cord jamming under unit, opening too small, uneven floor, adjustable legs not in their full upright position, check other potential

! IMPORTANT

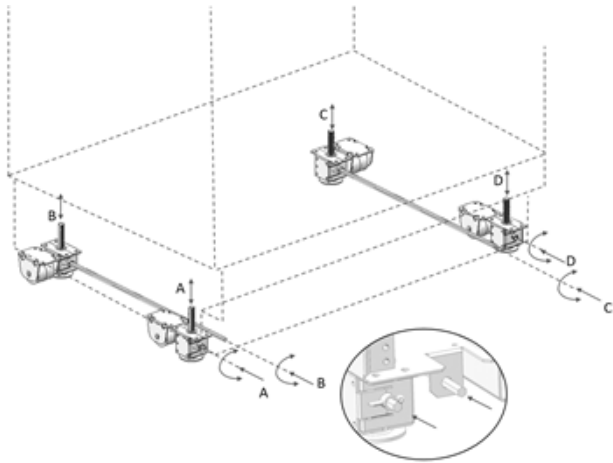
The plug from the unit should be accessible after installation. If the plug is not accessible after installation, the power must have a dedicated circuit breaker which can be accessed to cut power.

Use the fridge and freezer doors to help align the unit in the niche opening



7.3 Adjusting the height of the refrigerator in the niche

- Use the adjustable leg mechanism to raise, lower and level the unit in the niche as per the diagram below
- After adjusting the adjustable feet, check for level in both width and depth directions by placing a level in the freezer cavity floor (drawer should be removed for this)



A/D – Turn the key clockwise to lift the front
B/C – Turn the key clockwise to lift the rear

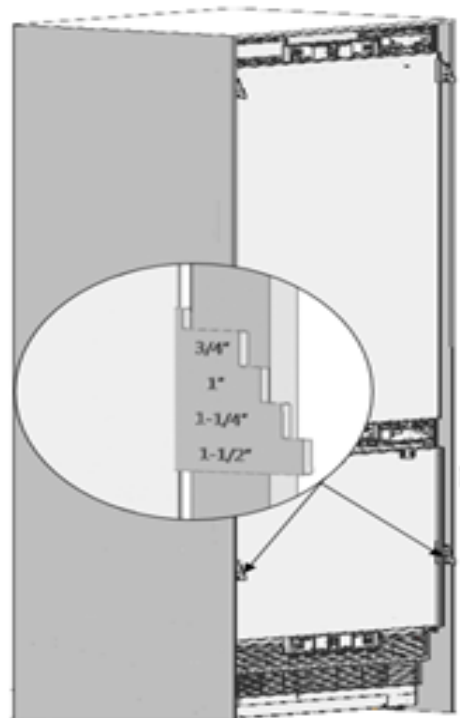


WARNING

Once the unit is pushed into the niche lower the front legs first to reduce the risk of unit tipping forward during the height adjustment process.
The maximum travel for the adjustable feet is 1 9/16" (40 mm).

7.4 Adjusting the refrigerator according to the cabinet niche

- For products with supplied stainless panel doors, the position of the unit is adjusted so that the door and the furniture surface are flush and ensuring a min 1/8" gap from panels and gables.
- For units with custom cabinet overlay panels, the unit should be installed at a depth considering the overlay panel thickness to ensure a flush installation or as desired by the end user
- **IMPORTANT:** It is important to align the upper edge of the freezer drawer when aligning as this height and position is fixed. The other panels can be adjusted with the adjustment mechanisms within the mounting hardware. As shown below an install depth template is provided as a convenience

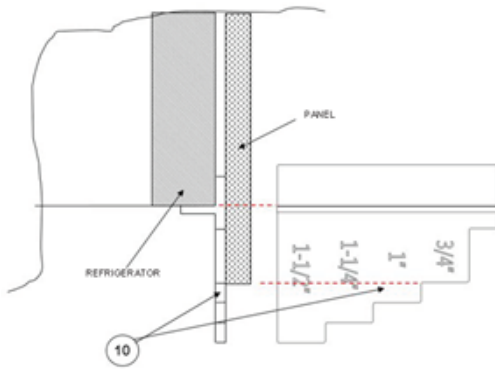


- Position of the level adjustment part (#10) must be adjusted according to the thickness of the door. It can adjust the level for 4 different door thickness.



IMPORTANT

The depth of the niche must also be designed to accommodate the minimum depth requirement plus the thicker door panel if desired. Regardless of door thickness the maximum panel weights must always be respected or warranty of product will be void.



7.5 Screwing the side brackets

- Attach the Side Brackets to the cabinet with screws (12 x #11) for each bracket.
- Fix the brackets(#17) to the unit, with 2 on the top, and 3 on every side. Use the screws (Item #18) to tighten.
- Use the 12 long screws (#16) to join the product and the cabinet.



NOTE

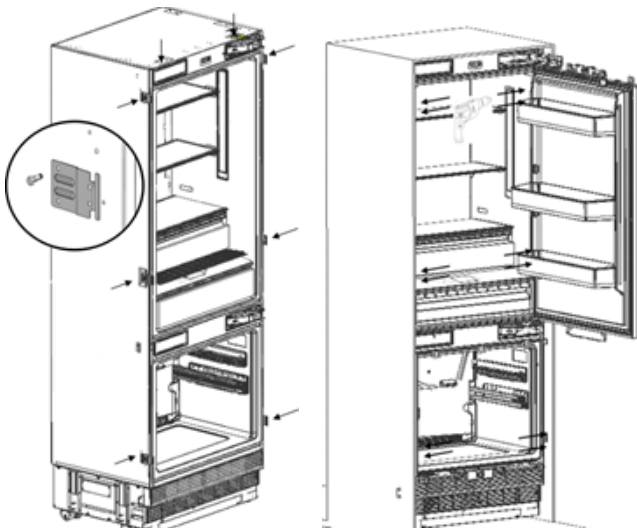
Preparing a pilot reference hole in the side gable could make these process of afixing to side cabinet gable easier



IMPORTANT

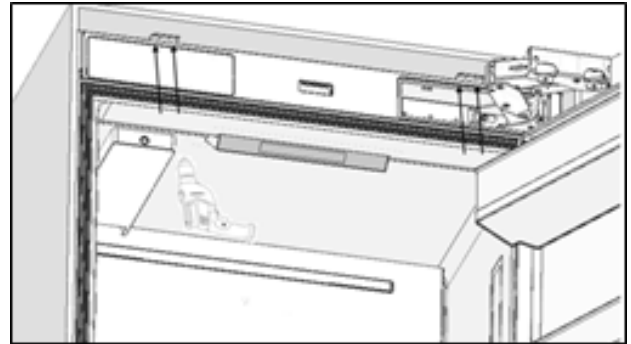
Before screwing the side brackets into cabinet gables ensure screw is shorter than gable thickness to avoid damage on finished side

Before starting to screw the side and upper brackets, please ensure unit is connected to power and water (if applicable) is supplied to the product and water connection is tested for leaks.



7.6 Securing the upper bracket

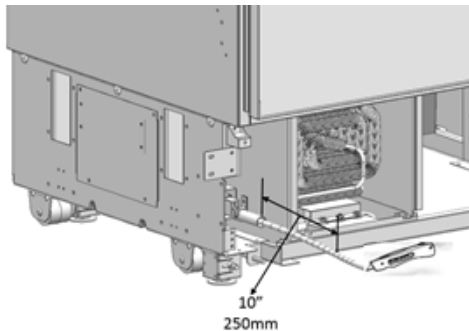
- Attach the upper bracket to the furniture with 4 screws (Item #16).
- Preparing a pilot reference hole in the side gable could make these process of afixing to side cabinet gable easier



8. Bottom Cabinet Installation

8.1 Complete the water connection

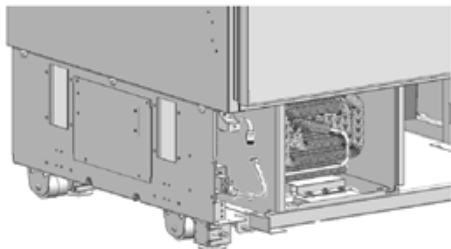
Allow sufficient slack in waterline to ensure an easy bend and clear connection with no tension or potential kinks in the supply line to the connector



! IMPORTANT

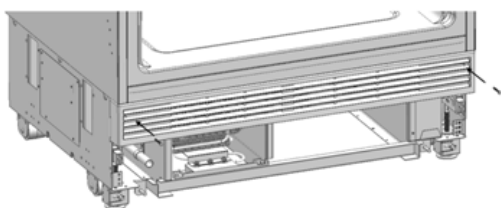
- Use proper hand tools to ensure a water tight connection from supply line to refrigerator valve.
- The supply line should be one complete length. The use of extension hoses is not recommended
- Always ensure power is disconnected when making the water connection of the product.
- It is recommended the water valve remains accessible after installing the product.
- This product is suitable for use with cold potable water supply only.
- Pressure of the water system must be between 25-80 psi (1.7-5.5 Bar).

Once the connection is complete, you must turn on the water valve and make sure that there is no leakage at that point.



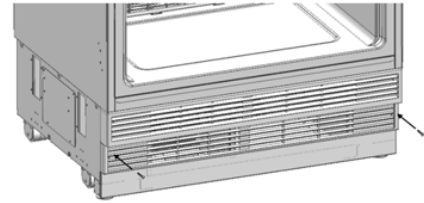
8.2 Attaching the upper vent hole part

Use 2 screws to attach the upper vent hole part.



8.3 Attaching the lower vent hole assembly

Use 2 screws to attach the lower vent hole part.



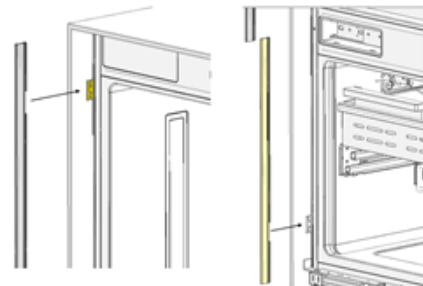
The lower grill can be adjusted to accommodate the cabinet toe kick. Also a piece of decorative cabinet toe kick material can be affixed to the lower grill to match cabinets provided there is no obstruction to vent grills and air flow.

! IMPORTANT

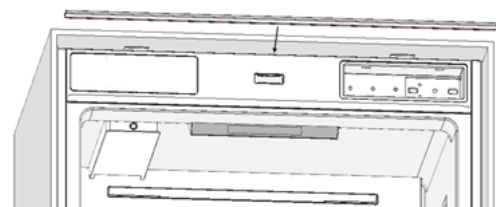
If installing a one piece cabinet toe kick across the front of the fridge you must ensure proper air flow and no obstruction to the vent grills

8.4 Attaching the decorative finishing trims

The decorative side trim is a soft plastic material with a barbed end to insert between the cabinet gable and product body (#1) onto the right/left connection brackets. Some trimming may be required to ensure the trims can fit around bracket, or thickness of barbed end may require trimming due to width of opening from side body and cabinet gable.



Push in finished trim (#4) onto the upper connection bracket.

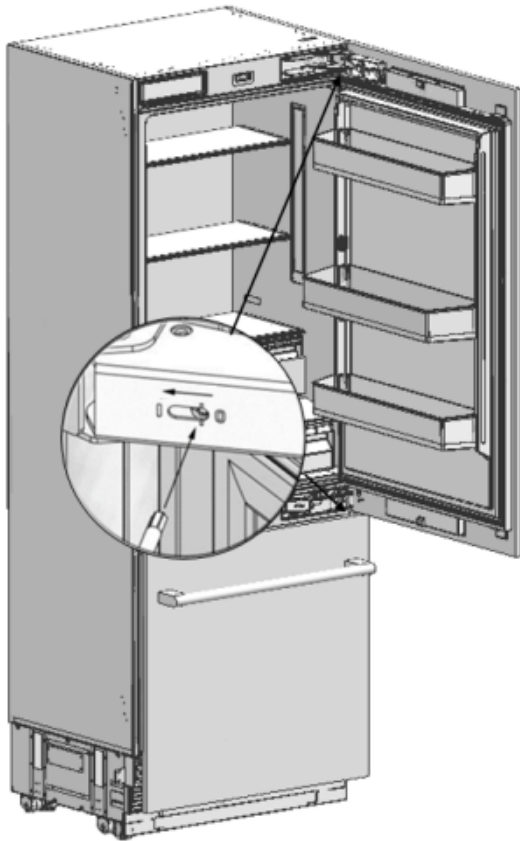


9. Hinge Adjustment and Reversing the Door Swing

9.1 Adjusting the spring tension of the hinge

! IMPORTANT

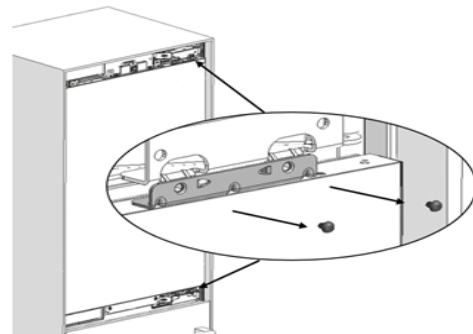
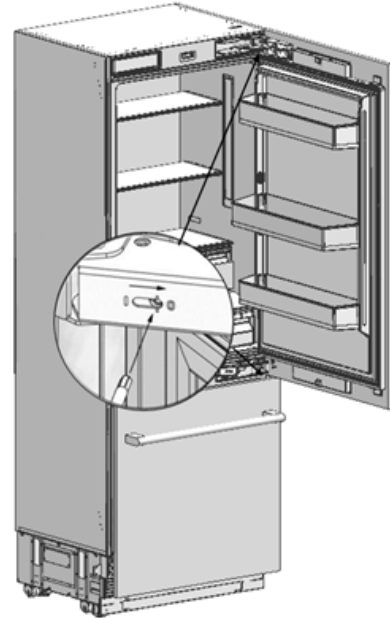
- The door must be fully open during this adjustment.
- The hinge tension adjustment must be performed only after the door panel has been adjusted.
- Use a hand tool to adjust the tension of the upper and lower hinges of the upper door. Set the hinge adjustment screw to position "I" from position "O".



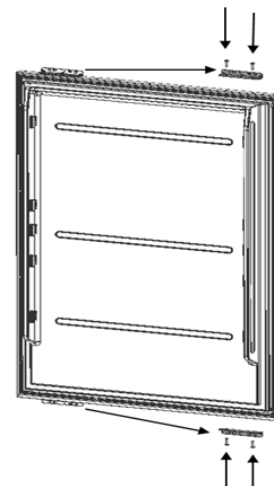
- Set the tension level of the hinge to "0".

!!! WARNING

Failure to set the hinge to "0" and continuing the installation like that may cause injury.

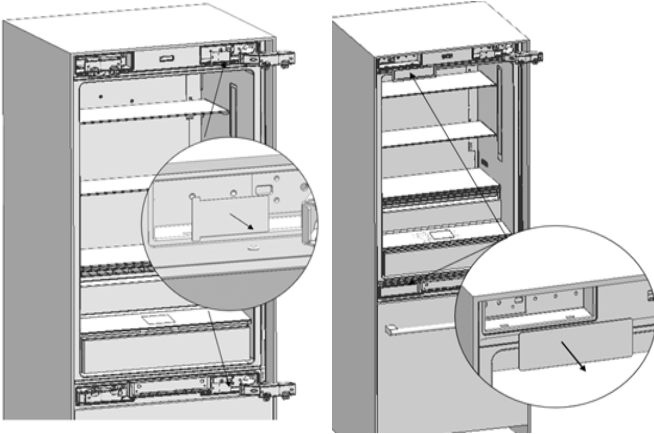


- Take out the upper door and lay it down on a table remove the fixing parts and screw them to the opposite side of the door.
- Remove the door/hinge mounting angle brackets and move to opposite side. Attach the door/hinge mounting brackets using the same two screws.

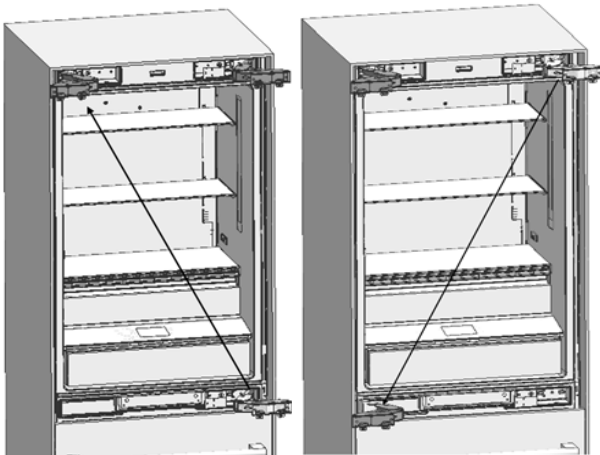


9.2 Replacing the hinges

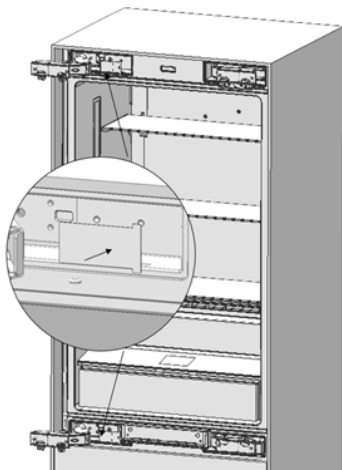
- Remove the hinge pocket cover located at the other side where you will affix the hinges.
- Remove the screw cover and screws securing the the hinges.



- Remove the lower right hinge by loosening its 2 screws and affix it to its slot at the upper left side.
- Remove the upper right hinge by loosening its 2 screws and affix it to its slot at the lower left side.

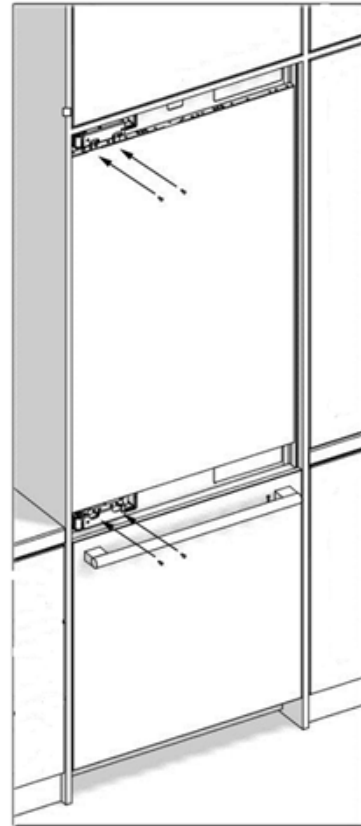


- Return the decorative screw caps of the hinges to their places.
- Return the hinge pocket cover to the opposite side where hinges were removed



9.3 Installing the Upper Door

- Place the upper inner door to the refrigerator using the door gasket to help hold door in place and affix it back to hinges with 4 screws



10. Overlay Panel Installation and Preparation

This section contains information about preparing the cabinet doors and mounting them to the product.

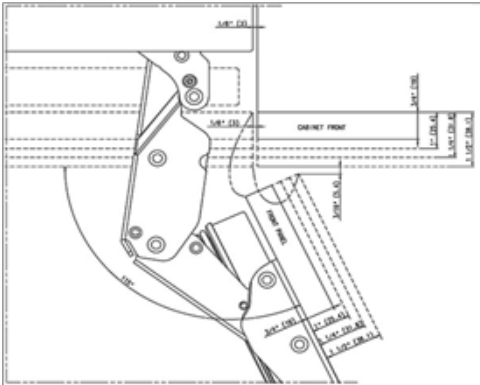
Maximum weights of the cabinetry to be mounted to the product are as follows.

Fridge Door: 35 lbs. (16 kg)

Freezer Door: 19 lbs. (9 kg)

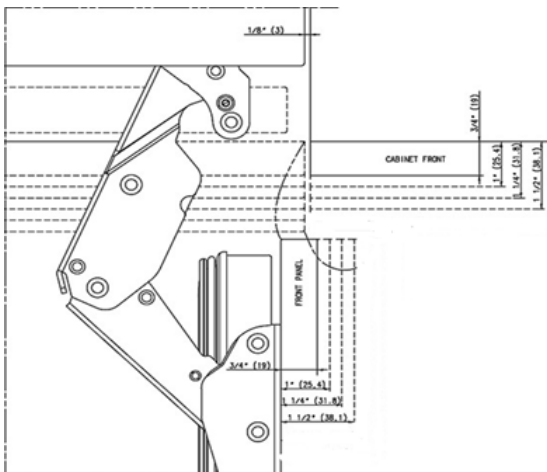
10.1 Choosing the Door Thickness

The door of your refrigerator can open to 115° maximum. Please ensure the door thickness (see diagram)



A limiting pin is provided with the unit to prevent the door from opening beyond 90°. The limiting pin is installed on the hinge.

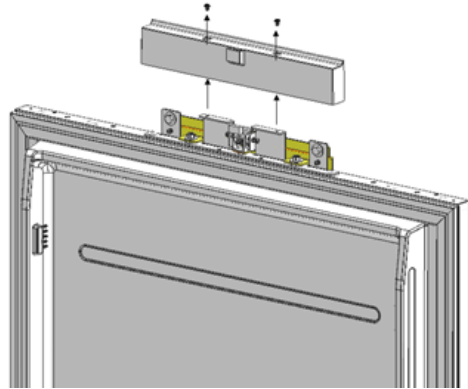
Door thickness allowances when using the limiting pin are shown in examples below.



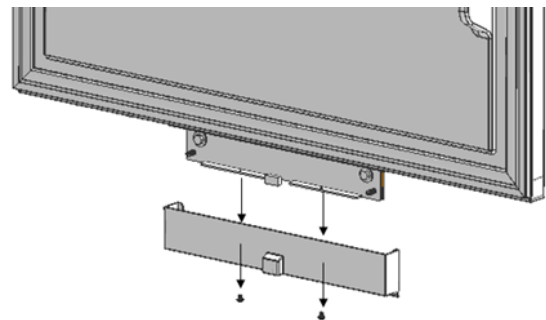
10.2 Removing the overlay panel mechanism covers

A magnet is located in the cover of the door hanger bracket. This is a functional part for the operation of the product as it activates the door open reed switch, please ensure the covers are not reverted and and put back on the same bracket they were removed from.

- Remove upper screws to remove upper cover.

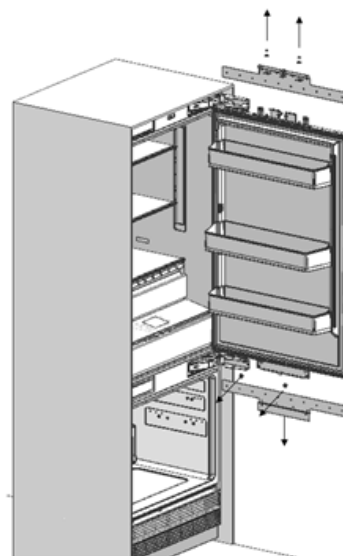


- Remove two screws to remove the lower mechanism cover.

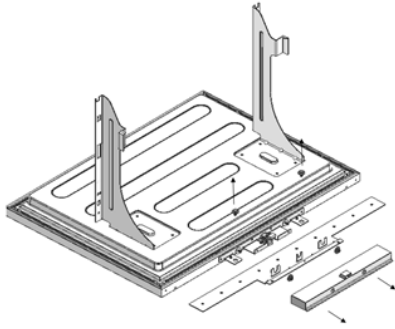


10.3 Panel Brackets

- Remove the Upper and Lower panel affixing brackets from the fridge door panel adjustment mechanisms as shown below



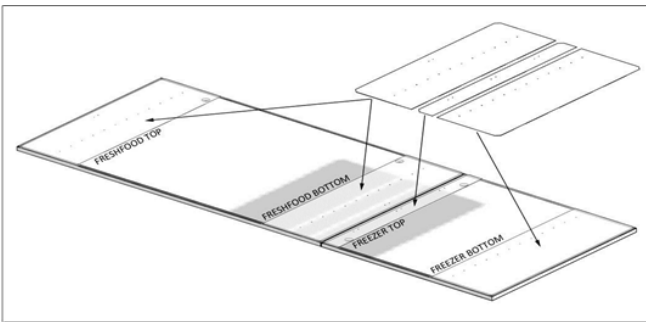
- Remove the panel adjustment mechanism covers and panel afixing brackets from the lower part of the freezer Door.



10.4 Preparing the overlay panels

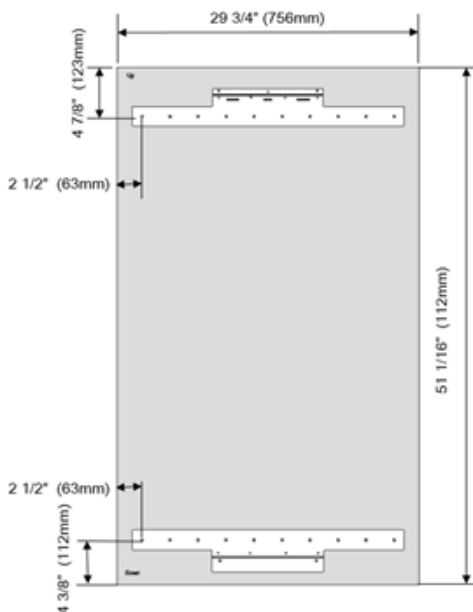
NOTE

It is advised to consider the dimensions of both panels and mounting location when grouping the panel brackets on the overlay panels (cabinet door). When marking, you can use the "door/drawer panel preparation template" (#24) provided with the product.



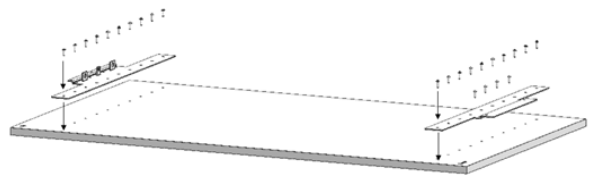
IMPORTANT

- Handle connection holes, it is the responsibility of the installer to calculate the location of the holes to attached the handles to the panels.
- Minimum thickness of the door must be $\frac{3}{4}$ " (19mm).

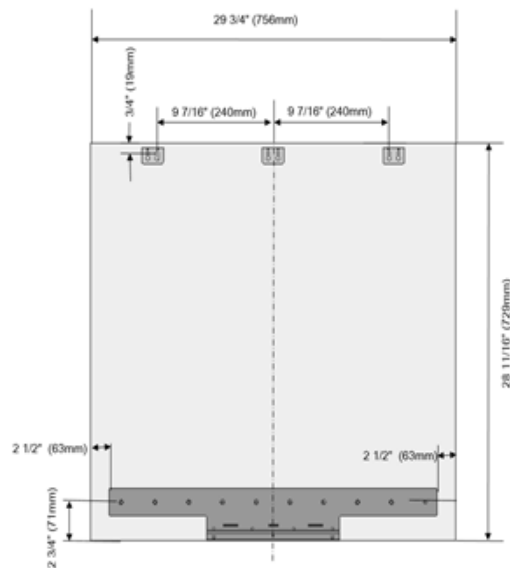


IMPORTANT

- Use screws suitable for the door thickness to avoid damage to the finished surface of the panel
- Install the panel brackets using screws (#23). You can also use the template (#24) provided with the product to align these parts. It is recommended to keep this template for future reference.
- Fridge door hanger sheet and fridge door upper mechanism assembly must be at the upper section of the door.
- Attach the door handle to the upper door panel prior to installing the panel on the fridge. Use handle hardware which will ensure a secure connection to panel and result in a flush position on the back of the overlay panel. This may require countersinking the handle hardware into back of panel shown below.



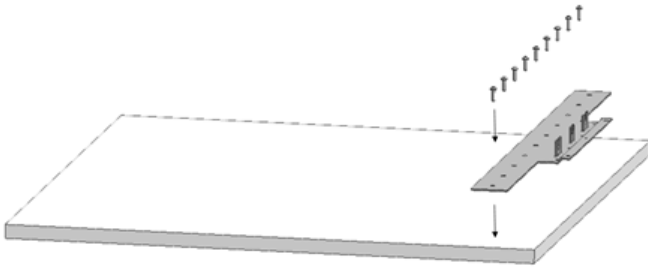
10.5 Preparing the lower drawer panel



IMPORTANT

- Handle connection holes, it is the responsibility of the installer to calculate the location of the holes to attached the handles to the panels. Handles require a minimum of two connect points to the cabinet panel.
- Minimum thickness of the door must be $\frac{3}{4}$ " (19mm).
- Use screws suitable for the door thickness to avoid damage to the finished surface of the panel

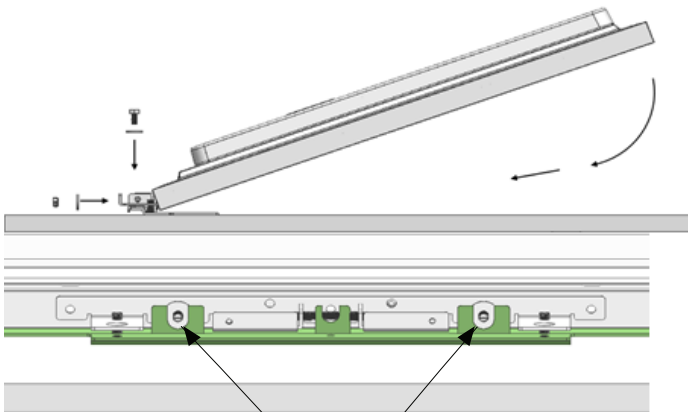
Install the lower panel bracket using the panel screws (#23). You can also use the template (#24) provided with the product to align these parts. It is recommended to keep this template for future reference.



Attach the three upper metal "L" brackets (#14) using 2 screws (#15) for each.

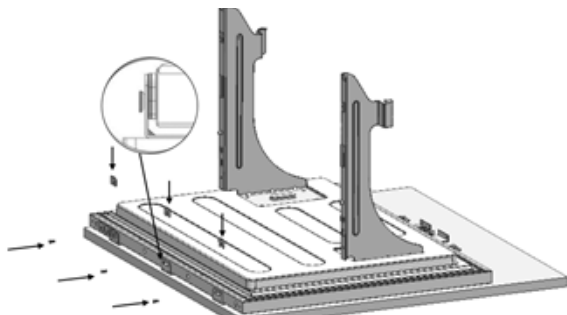
Attach the door handle to the upper door panel prior to installing the panel on the fridge. Use handle hardware which will ensure a secure connection to panel and result in a flush position on the back of the overlay panel. This may require countersinking the handle hardware into back of panel.

1. Position the door panel into the mounting bracket
2. Replace the bracket screws at top and secure panel



ensure holes are aligned

1. Use the 3 screws (#13) to fix the mounting bracket. Washers are provided as spacers if needed.
2. Tighten the screws once the panels are properly aligned on fridge door and drawer.

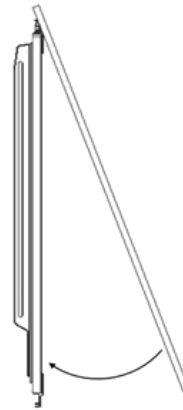


Washers can be used as spacers to raise or lower the freezer panel as required based on installation

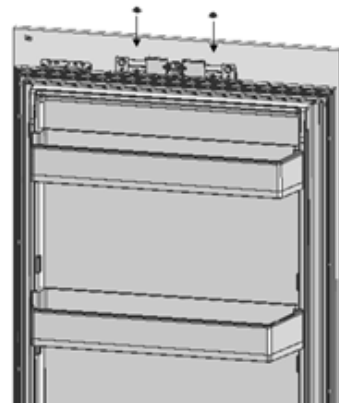
Washers are provided in the mounting box and can be used as spacers to raise or lower the freezer panel as required based on installation.

10.6 Installing the upper door panel

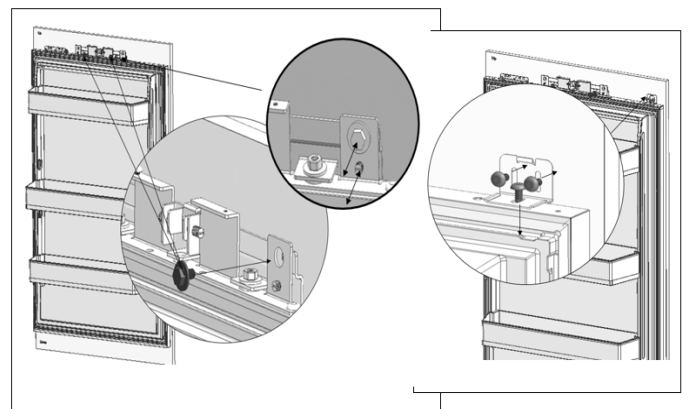
- Attach the cabinet door to the fridge door



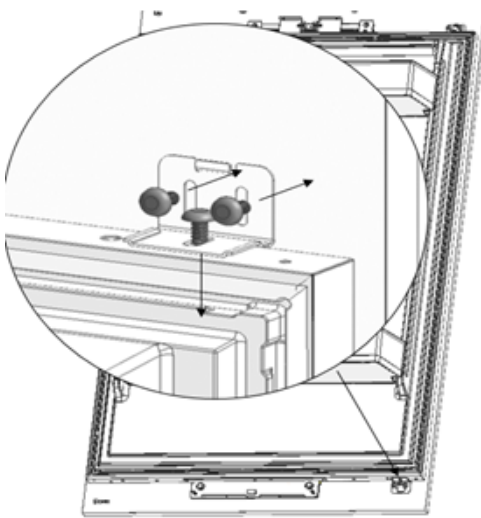
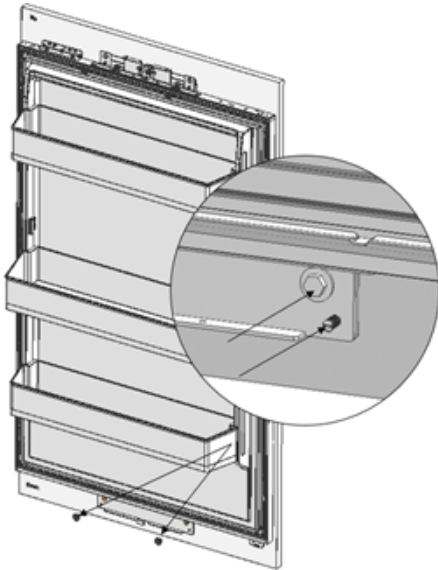
- Remove the two screws and use them to fix onto the adjusting bolts



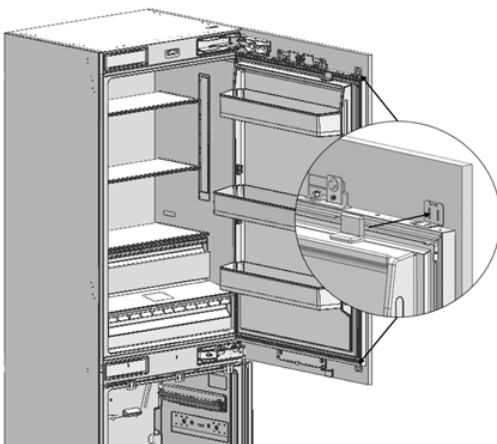
- Remove bolts as need to secure the bracket and make adjustments
- Use the bracket (Item No21) to join the overlay panel and fridge door, use 2 screws (Item No20) and 1 screw (Item No22) to secure.



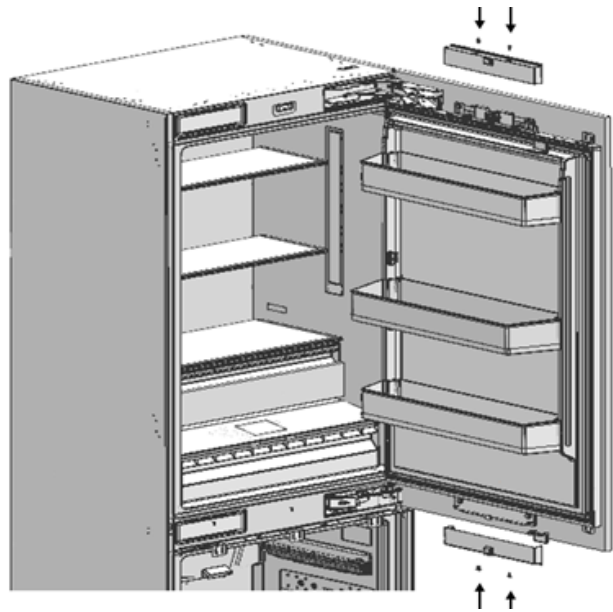
- Adjust from lower part of the door with 2 screws removed from bracket (shown below) together with 2 slotted screws.
- Use the bracket (#21) to secure the upper door panel to the upper door, use 2 screws (#20) and 1 screw (#22) to fix.



- Snap the decorative cover (#19) over the bracket as shown below



- Remove screws from mounting bracket to affix the upper/lower mounting bracket cover.

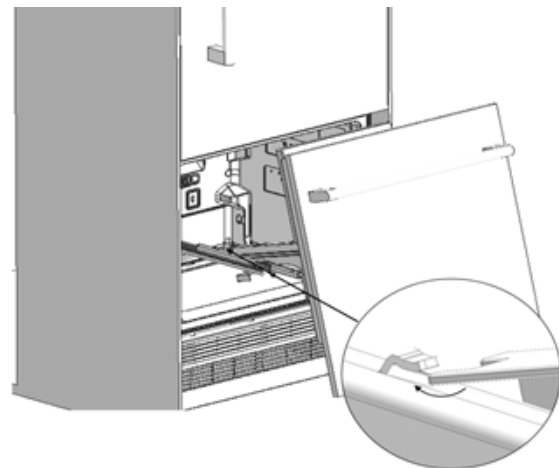


NOTE

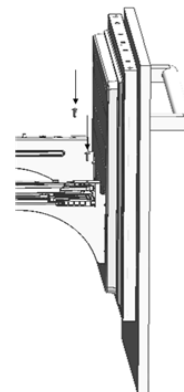
Always keep spare parts for future use as they may be required to complete a door swing change in the future

10.7 Re-Installing the freezer drawer front

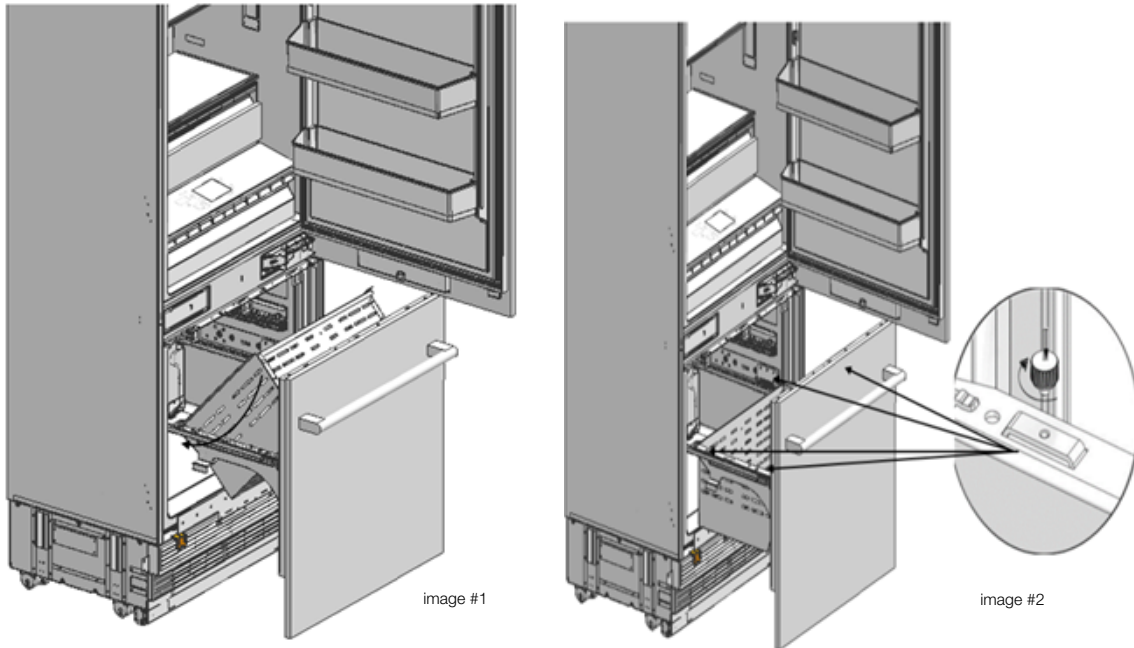
Install the freezer door front assembly onto the rails



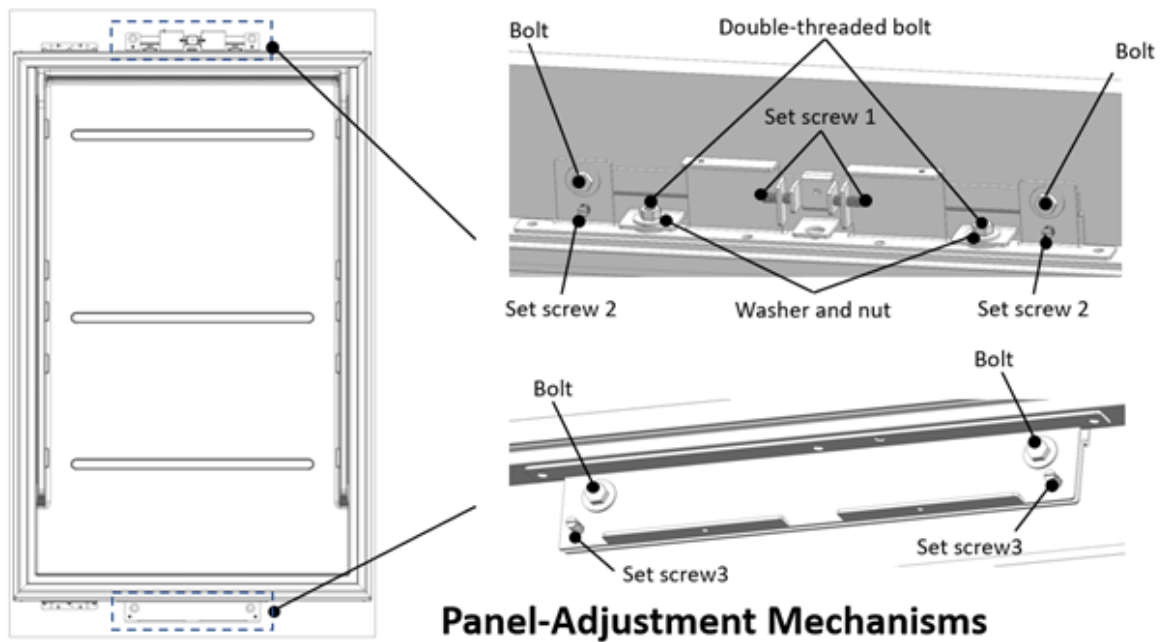
Secure the freezer door front assembly onto the rails with 2 screws.



- Reinstall the main freezer bin onto the rail and secure the bin onto the rails with the provided thumb screws



- If an adjustment is needed for the upper door panel please follow the illustrations below using the adjustment mechanism



Panel-Adjustment Mechanisms

10.8 Panel Adjustments

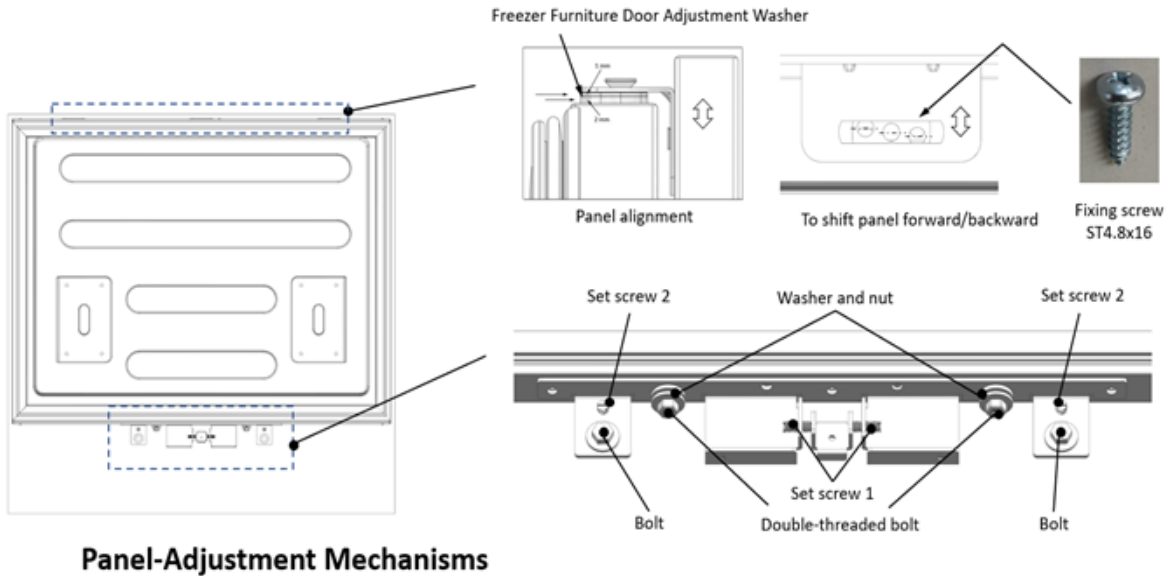
Panel-adjustment for upper door – top

1. Use the double-threaded height adjustment bolts to align the door panel
2. Adjust set screw 1 (see the graphic) to shift the panel side to side.
3. Adjust set screw 2 (see the graphic) to shift the panel forward/backward; engage locking bolt to set the panel top part in place.

Panel-adjustment for upper door – bottom

4. Adjust set screw 3 (see the graphic) to shift the panel forward/backward; engage locking bolt to set the panel lower part in place.
5. Engage locking bolt to set the panel in place.

If an adjustment is needed for the freezer door panel please follow the illustrations below using the adjustment mechanism

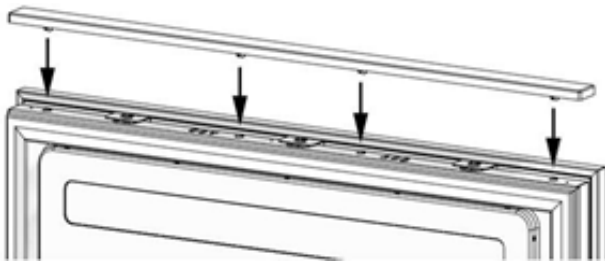


Panel-adjustment for freezer door panel - upper

1. Use the freezer cabinet door adjustment washer to align the door panel top part.
2. Adjust set screw 1 (see the graphic) to shift the panel side to side.
3. Select fixing hole (see the graphic) to shift the panel forward/backward; secure fixing screw to set the panel in place.

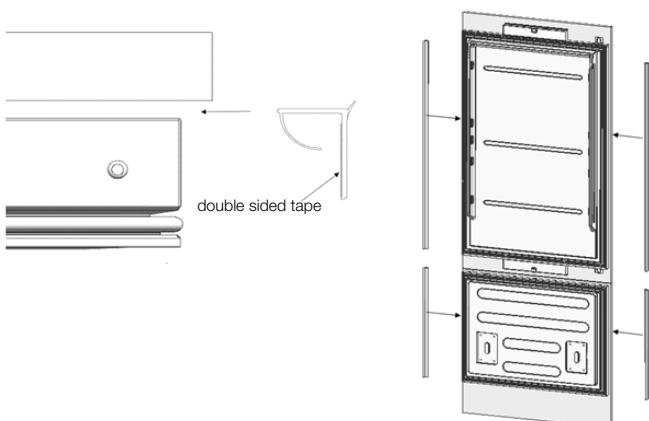
Panel-adjustment for freezer door panel - upper

4. Adjust set screw 2 (see the graphic) to shift the panel forward/backward; engage bolt to set the panel in place.
 5. Adjust the double-threaded bolts fixing the door panel lower part.
 6. Engage locking bolt to secure panel lower part in place.
- Attach the upper decorative drawer cover (#5) using the tabs to secure to the drawer



Optional door/drawer panel decorative trims

Attach the decorative side trim seals (#2) & (#3). Note: side trims may require some trimming if gap is too small to allow trims to be pushed in, some force may be required. Remove the protective film of double sided tape to secure the trim to front face of fridge cabinet



Warranty Class	Description of warranty coverage
0	Doors, handles, glass, product frames, racking, interior and exterior surfaces are covered by a limited 30-day parts-only warranty for cosmetic defects proven to have originated from the factory. It is the responsibility of the owner to inspect the product and report any such claims within this 30 day period.
1	1 year parts and labor
2	2 years parts and labor
5	5 years parts and labor on the following sealed system components only: compressor, condenser, evaporator, dryer and connective tubing
5p	5 years parts only on the following sealed system components only: compressor, condenser, evaporator, dryer and connective tubing
12p	12 years parts only on the following sealed system components only: compressor, condenser, evaporator, dryer and connective tubing

Product Class	Applicable warranties	
Cooking		
Drop-in Cooktops	0,2	
Built-in Ovens (including Speed and Steam), Coffee Machines and Warming Drawers	0,2	
Range Tops	0,2	
Microwaves	0,1	
Freestanding Ranges	0,2	
Cleaning (Dishwashers)		
600 Series	400 Series	
0,2	0,1	
Refrigeration		
700 series	600 Series	400 Series
0,2,5,12p	0,2,5p	0,1
Ventilation		
Cooker hoods	0,2	

For proof of warranty, please retain the original purchase invoice and the delivery slip.

To obtain service under these warranties you must:

- Contact Fulgor-Milano Authorized Service for North America:
Online at <https://www.fulgor-milano.com/us/en/assistance>
or
By toll free number at 1-855-4-FULGOR (1-855-438-5467)
- Provide a copy of your original sales receipt along with model number and serial number information for the product.
- Provide Fulgor Milano reasonable opportunity to investigate the claim before the Product or any component of the Product has been modified or removed.

TERMS APPLICABLE TO THESE WARRANTIES

All applicable warranties for each class run concurrently. In accordance to the applicable warranty class, Fulgor Milano warranty covers all parts and / or labor to repair or replace, under normal residential use, any part of the product proving to be defective in material or workmanship as a result of the original manufacturing process.

These warranties is valid only in the contiguous states of the U.S.A. including the District of Columbia and Alaska and the country of Canada. These warranties apply to the original purchaser only and are non-transferable. All service provided by Fulgor Milano under the applicable warranty must be performed by a Fulgor Milano authorized servicer unless otherwise specified in writing by Fulgor Milano. Service will be provided during the regular business hours of each specific region. These warranties apply only to products purchased from an authorized dealer through an approved distribution chain and which are installed for normal residential use and do not apply to commercial use or use on yachts. These warranties only cover service performed at the location of product installation and will not cover costs associated with repairing off-site unless expressly authorized by Fulgor Milano nor does it cover the travel costs associated with providing service to remote locations. Remote locations are defined as being outside of a 50 mile (80 kilometre) radius from any authorized 'brick and mortar' dealer. These warranties do not cover any parts or labor needed to correct any defect caused by negligence, transport, delivery, improper voltage or accident or improper use, maintenance, installation, service or repair, including but not limited to improper removal and reinstallation of any component of the product (ie. removing handles to fit through doors) prior to or during product delivery / installation. The remedies described herein are the only ones which Fulgor Milano will provide, either under these warranties or under any warranty arising by operation of law. Fulgor Milano will not be responsible for content loss due to spoilage, freezing or burning nor for consequential damages to surrounding cabinetry, construction materials or finishing materials such as but not limited to flooring. Fulgor Milano will not be responsible for any consequential or incidental damages arising from the breach of these warranties or any other warranties, whether express, implied or statutory.

The warranty will be valid and effective only upon presentation of the document stating the purchase date of the appliance, and more specifically of the relevant invoice, proof of purchase or equivalent document showing the name of the seller, the delivery date and the identification data of the appliance (such as; model number and serial number). In the case of new product being included in the purchase of new residential construction; these warranties apply to the original resident of the location containing the Fulgor Milano product and warranty coverage will begin on the date of occupancy of the residence (proof of occupancy required) to a maximum additional six months from the date of delivery of the product by the development company from the distributor or dealer. This extension does not apply to the Class 0 cosmetic warranty.

These warranties are only valid where the difference between the purchase date and the production date of the product is less than eighteen months. Any product which has been warehoused for more than this period will only be covered by Fulgor Milano's B-Stock warranty.

During the warranty period Fulgor Milano reserves the right to evaluate the opportunity to repair the appliance or, at their discretion, offer to replace it with a Fulgor Milano product of equivalent features and functionality but cannot guarantee that the exact model will still be available. Fulgor Milano reserves the right to revise these warranties at any time.

Some states do not allow the exclusion or limitation of incidental or consequential damages so the above limitation or exclusion may not apply to you. These warranties give you specific legal rights and you may also have other rights which vary from state to state.

*Replacement light bulbs / LEDs are only covered under the terms of the Class 0, 30 day cosmetic warranty.

FULGOR
MILANO

— SINCE 1949 —

