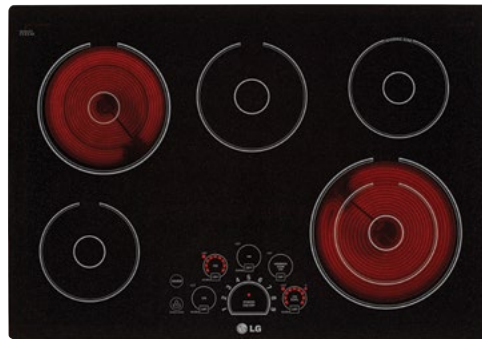


30" Electric Cooktop

- Radiant Cooktop with 5 Elements
- Steady Heat Elements
- Dual 9" / 6" Element
- Warming Function
- Intuitive SmoothTouch™ Glass Controls



COLOR AVAILABILITY

- LCE3010SBE - Black Glass

COOKTOP FEATURES

Cooktop Type	Electric
Number of Elements	5
Element Size / Wattage	
Left Front	6" - 1,200W
Left Rear	8" - 1,900W
Center	7" - 1,500W
Right Front	Dual 9" / 6" - 3,000W / 1,400W
Right Rear	6" - 100W Warming Zone
Bridge	N/A
Hot Surface LED Indicator	Yes
Auto Shut Off	Yes
Warm Function	Yes
Power Control	Steady Heat

CONTROLS

Cooktop Control Type	SmoothTouch™ Glass (Front)
Control Lock	Yes

CONVENIENCE

ADA Compliant	Yes
---------------	-----

SMART FEATURES

Wi-Fi Enabled	No
ThinQ® Technology	No
SmartDiagnosis™	No

FINISHES AND APPEARANCE

Cooktop Surface	Black Ceramic Glass
Cooktop Frame / Trim	N/A

TECHNICAL SPECS

ENERGY STAR® Certified	Yes
Required Power Supply	240 / 208 V, 60 Hz, 3-Wire or 4-Wire
Minimum Circuit Rating	40 Amp
kW Rating at 208V	5.8 kW
kW Rating at 240V	7.7 kW
Power Cord / Cable	Not Included
Power Cable Location	Right Rear

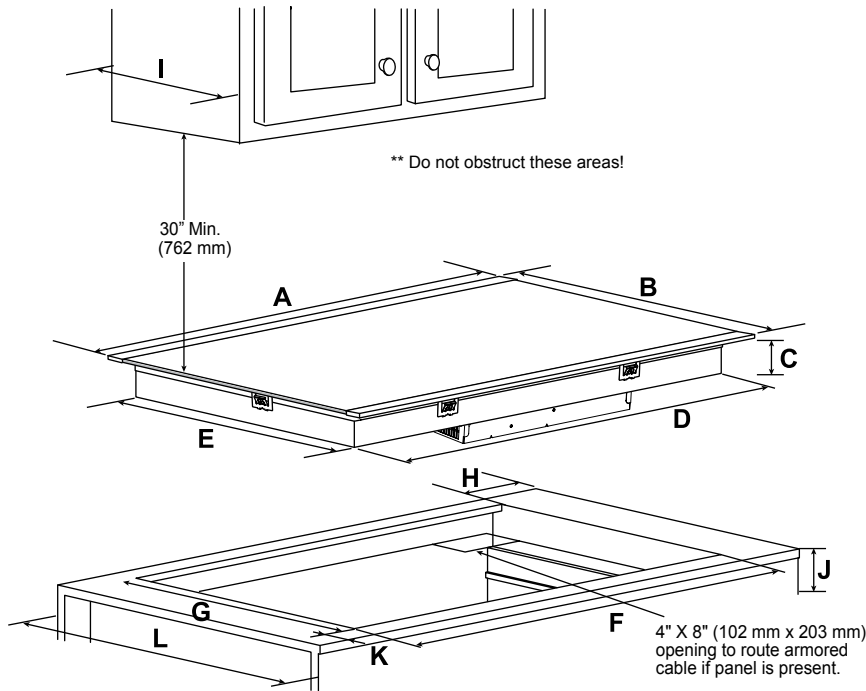
DIMENSIONS / CLEARANCES / WEIGHTS

Product Dimensions (W x H x D)	30 27/32" x 4" x 21 15/32"
Cutout Dimensions (W x D)	29 3/8" x 20 1/4"
Carton Dimensions (W x H x D)	34" x 6" x 25"
Approx. Weight (Product / Carton)	34.2 lbs. / 41.2 lbs.

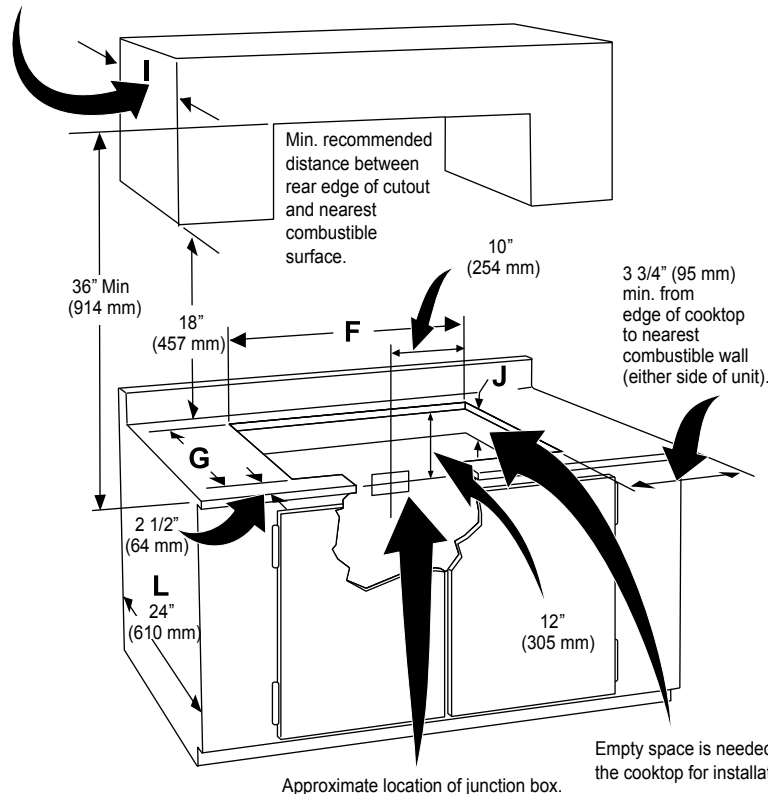
LIMITED WARRANTY

Parts and Labor	1 Year
-----------------	--------

DIMENSIONS / CLEARANCES



Overhead cabinet should not exceed a maximum depth of 13" (330 mm).



Approximate location of junction box.

Empty space is needed underneath the cooktop for installation purposes.

DIMENSIONS / CLEARANCES

A	30 27/32" (783 mm)
B	21 15/32" (545 mm)
C	3 3/4" (95 mm)
D	28 13/16" (732 mm)
E	19 5/8" (498 mm)
F	29 3/8" Minimum (746 mm)
G	20 1/4" Minimum (515 mm)
H	13/16" (20 mm)
I	13" Maximum (330 mm)
J	5 23/32" Minimum (145 mm)
K	2 1/2" (64 mm)
L	24" (610 mm)

INSTALLATION NOTES

- Allow 2" (50 mm) space below the armored cable opening to clear the electric cable and allow space for installation of the junction box on the wall at the back of the cooktop.
- Make sure the cabinets and wall coverings around the cooktop can withstand the temperatures up to 200°F generated by the cooktop.
- To eliminate the risk of burns or fire by reaching over heated surfaces, cabinet storage space located above the cooktop should be avoided. If cabinet storage is provided, risk can be reduced by installing a range hood that projects horizontally a minimum of 5" (127 mm) beyond the face of the cabinets.
- It is very important to keep 2 3/4" (70 mm) distance between the cooktop and the oven.

Recommend space cooktop and oven

