

## TXD 160 WP Classic Heat Pump Dryer

### Features:

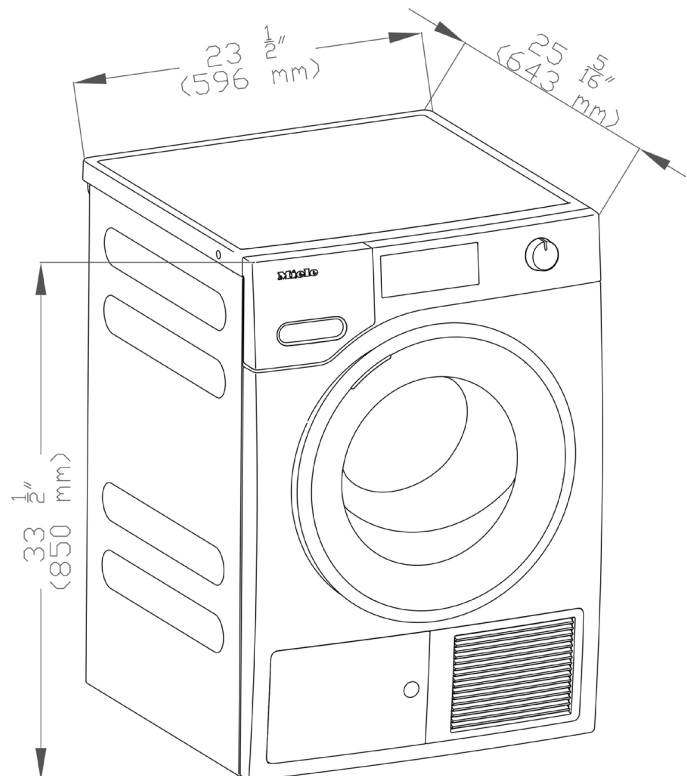
- Ventless Heat-Pump Dryer (120 V, 15 A)
- Honeycomb drum (4.02 ft<sup>3</sup> capacity)
- PerfectDry moisture sensing technology
- DirectSensor user interface
- WifiConn@ct and Mobile Control
- FragranceDos
- EnergyStar Most Efficient



MATERIAL #	EAN #
11619650	4002516379775

SPECIFICATIONS	
Overall Unit Dimensions	23 <sup>1</sup> / <sub>2</sub> " (596 mm) W x 33 <sup>1</sup> / <sub>2</sub> " - 34 <sup>3</sup> / <sub>4</sub> " (850 - 882 mm) H x 25 <sup>5</sup> / <sub>16</sub> " (643 mm) D
Niche	
Minimum Cabinet Niche Opening	23 <sup>3</sup> / <sub>4</sub> " (603 mm) W x 33 <sup>5</sup> / <sub>8</sub> " (854 mm) H x 24" (610 mm) D
Plumbing	
Drain Hose (Supplied)	Length: 5 ft 3 in. (1.6 m)
Electrical	
Electrical Requirements	110 V / 120 V, 60 Hz, 15 Amps
Power Cord	NEMA 5-15 plug, 6 ft 6 in. (2 m)
Shipping	
Shipping Weight	137 lbs (62 kg)
Shipping Dimensions	26" W x 37" H x 27 <sup>3</sup> / <sub>16</sub> " D

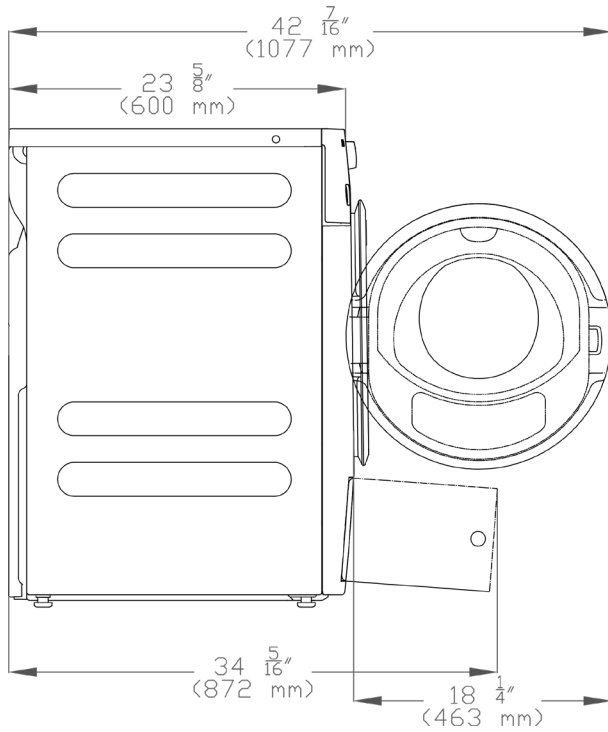
### PRODUCT DIMENSIONS



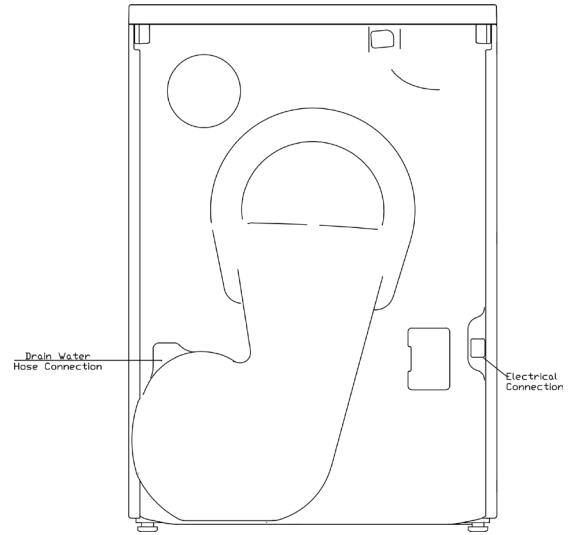
## ADDITIONAL PRODUCT

### DIMENSIONS

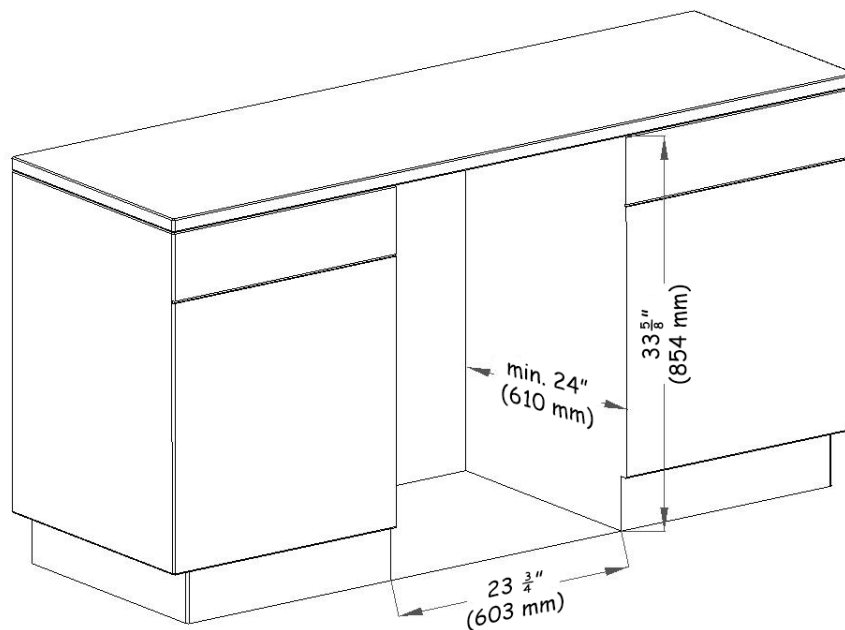
Side View



Rear View



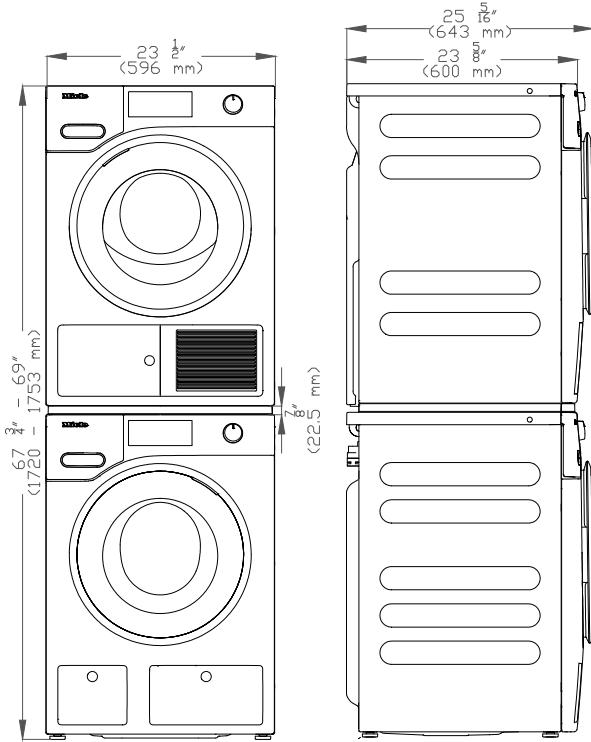
## NICHE DIMENSIONS



## OPTIONAL ACCESSORIES

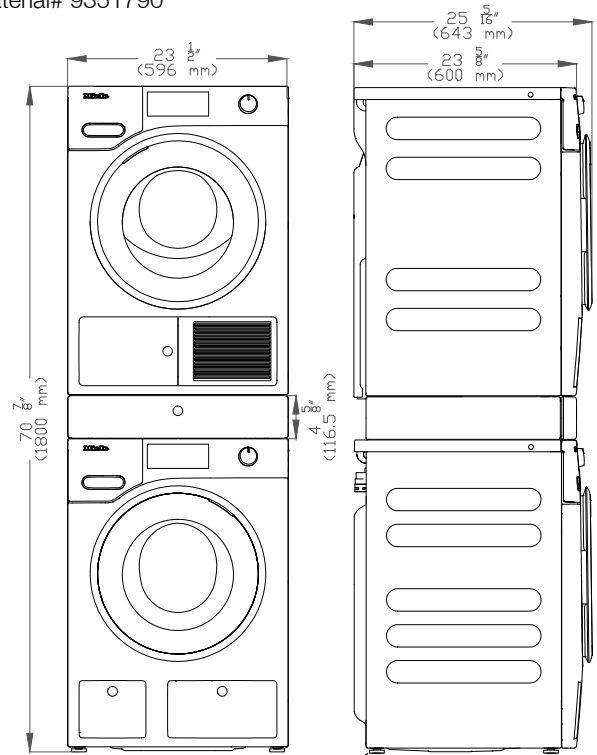
WTV502

Material# 9256140



WTV512

Material# 9351790



WTS510

Material# 9322300

