



Shown with optional LB30SS liner



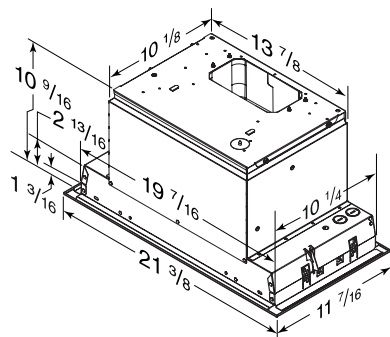
PM600SSV



STAINLESS
21-2/5"
PM600SSV

With voice control operation and automatic infrared sensing, the smooth, stainless steel PM600SSV simplifies cooking and cleanup. Bright LEDs illuminate the entire surface and the fan speed automatically adjusts while you cook.

- Powerful 650 MAX Blower CFM, 0.5 sones at normal speed
- Bright 3-level, heat resistant LED modules
- Four-speed, back-lit soft touch control
- Voice control via WiFi simplifies operation
- Automatic infrared sensing automatically adjusts fan speed
- EZ1 clips enable single-person installation
- Dishwasher-safe hybrid baffle filters with quick-release latch
- Code Ready Technology adjusts CFM to 300/400 CFM to meet make-up air codes
- ADA compliant, remote operation with a standard UL approved wall switch (HAWRK5 ADA adapter kit required)
- Optional non-duct recirculation kit and filters
- Works with optional stainless LB30SS and LB36SS liners
- Works with optional universal make-up air dampers



SPECIFICATIONS

Width	MAX Blower CFM*	Blower	Sones†	Volts	Amps	Duct
21-3/8"	650	Internal	0.5	120	2.3	3-1/4" x 10" (V, H) or 6" RD

* MAX Blower CFM indicates hood blower performance in open air. Find HVI rated performance for this model in the product specification sheet at Broan-NuTone.com

† Sones at normal (or working) speed.

OPTIONAL ACCESSORIES

Non-Duct Kit	Non-Duct Charcoal Filter	Replacement Hybrid Baffle	LED	Make-Up Air Dampers	Fresh Air Inlets	Liners
HARKPM21	S99010464	HPFBN1	Included	MD6TU MD8TU MD10TU	641FA 643FA 610FA	LB30SS LB36SS



BROAN-NUTONE.COM | 800-558-1711 | 926 WEST STATE STREET, HARTFORD, WISCONSIN 53027