

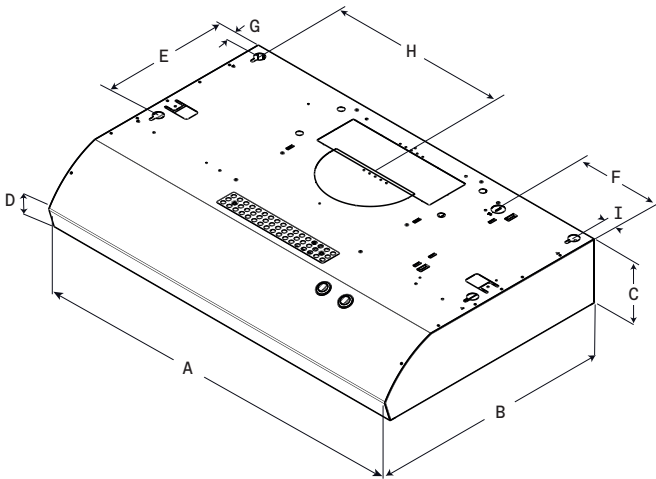
Fusaro

Undercabinet hood



Learn
more

MEASUREMENTS



EFS130SS/EFS130S1
EFS130BL/EFS130WH

A	30" (76 cm)
B	18 ⁵ / ₈ " (47.3 cm)
C	4 ¹⁵ / ₁₆ " (12.5 cm)
D	1 ⁹ / ₁₆ " (3.9 cm)
E	9 ⁷ / ₈ " (25 cm)
F	6 ⁹ / ₁₆ " (16.7 cm)
G	¹³ / ₁₆ " (2.1 cm)
H	14 ¹⁵ / ₁₆ " (38 cm)
I	⁵ / ₈ " (2.5 cm)

DESCRIPTION

Fusaro has a slender 5" height and soft curves, designed to modernize and perfectly fit kitchens where space is premium. A 2-speed, 190 CFM internal blower provides sufficient ventilating power for most kitchens. Color-coordinated rocker switches control blower speeds and 75W incandescent lightning. The anodized aluminum mesh grease filter is dishwasher-safe and simple to remove and re-install. Fusaro is designed for standard ducted or recirculating installations.



FEATURES

 3x layer mesh



GENERAL PROPERTIES

Width	30"	30"	30"	30"
Model	EFS130SS	EFS130S1	EFS130BL	EFS130WH
Dimensions	30"W x 20 1/16"D x 4 15/16"H			
Blower Type ¹ (Internal)	190 CFM (2-speed)			
Noise (Min-max sones) ¹	0.3-4.1 Sones			
Electrical	120V-60Hz,110W			
Illumination	1 Incandescent lamp, 1 intensity 75 W			
Finish	Stainless Steel	Stainless Steel	Black	White
Controls	Rocker switch			
Filters	Dishwasher-safe, anodized aluminum mesh filter	Double filter- grease anodized aluminum mesh filter & carbon filter		
Installation type	Ducted only	Ducted or Recirculating (kit included)		
Duct transition	3 1/4" x 10"(top rear),or 7" round (sold separately)			

KITS

Backdraft damper	KIT02723 (7" round non return valve)
Duct transition	KIT02722 (7" round)

WARRANTY:² Two (2) Years Parts & In-Home Labor. Earn an additional One (1) Year of Parts & In-Home Labor by registering on elica.com



The product images shown are for illustration purposes only and may not be an exact representation of the product.
¹ CFM and Noise data indicate the performance of the hood blower tested according to international standards. For AHAM Certified Ratings, established in accordance with California Title 24 Standardized test procedure, please refer to AHAM Certified Product Directory. Electric Ratings are declared according to UL.

² For valid warranty extension, register within 3 months from purchase. For USA & Canada Users Only.