

WW25B6900AW

2.5 cu. ft. Smart Dial Front Load Washer with Super Speed Wash and Steam

SAMSUNG



Available Color



Features

- Super Speed Wash
- AI Smart Dial
- Wi-Fi Connectivity¹
- 2.5 cu. ft. Capacity
- Steam
- Self Clean+
- Vibration Reduction Technology+
- Swirl+ Drum Interior
- Closet-Depth Fit²
- Flexible Installation
- ENERGY STAR® Most Efficient
- Digital Inverter Motor
- 1400 RPM Maximum Spin Speed
- Internal Water Heater
- 24 Total Washing Cycles
- 13 Options

Convenience

- Child Lock
- Dispenser Trays: Main Wash, Softener, Bleach

Ratings



ENERGY STAR® Most Efficient
CEE Tier 2
IMEF = 2.25
IWF = 3.7
90 kWh/yr

Electrical Requirements

120 V / 60 Hz
15 Amps

Specifications

24 Total Washing Cycles:

Eco Cold, Normal, Heavy Duty, Perm Press, Towels, Self Clean+, Activewear, Delicates, Wool, Rinse+Spin, Bedding, Small Load, Colors, Spin Only, Outdoor, Denim, Super Speed, Steam Sanitize, Steam Allergen, Steam Normal, Power Steam, Steam Whites, Steam Bedding, Power Rinse

13 Additional Washing Options:

Super Speed, Delay End, My Cycles, Pre Soak, Extra Rinse, Smart Control, AI Pattern, Alarm, Calibration, Wi-Fi, Language, Child Lock, Factory Reset

5 Temperature Settings:

Extra Hot, Hot, Warm, Cold, Tap Cold

5 Spin Settings:

Extra High, High, Medium, Low, Extra Low

5 Soil Settings:

Extra Heavy, Heavy, Normal, Light, Extra Light

Warranty

One (1) Year Parts and Labor
Three (3) Years Stainless Steel Drum (Part Only)
Ten (10) Years DD Motor (Part Only)

Product Dimensions & Weight (WxHxD)

Dimensions: 23⁵/₈" x 33¹/₂" x 26¹³/₁₆"
Weight: 163.1 lbs

Shipping Dimensions & Weight (WxHxD)

Dimensions: 26¹/₄" x 35¹/₁₆" x 27⁷/₁₆"
Weight: 167.6 lbs

Washer	Model #	UPC Code
White	WW25BG6900AW	887276650319

Matching Electric Dryer

White	DV25BG6900EW	887276665184
-------	--------------	--------------

Matching Heat Pump Dryer

White	DV25BG6900HW	887276665207
-------	--------------	--------------

Optional Accessories	Model #	UPC Code
Stacking Kit	SK-DH	887276151052

¹ Requires wireless network, Samsung account and Samsung SmartThings App. The Samsung SmartThings App supports Android OS 4.0 (ICS) or later which is optimized for Samsung smartphones (Galaxy S and Galaxy Note series). This app also supports iOS 7 or later for iPhone models. Samsung SmartThings App available in App Store and Play Store.

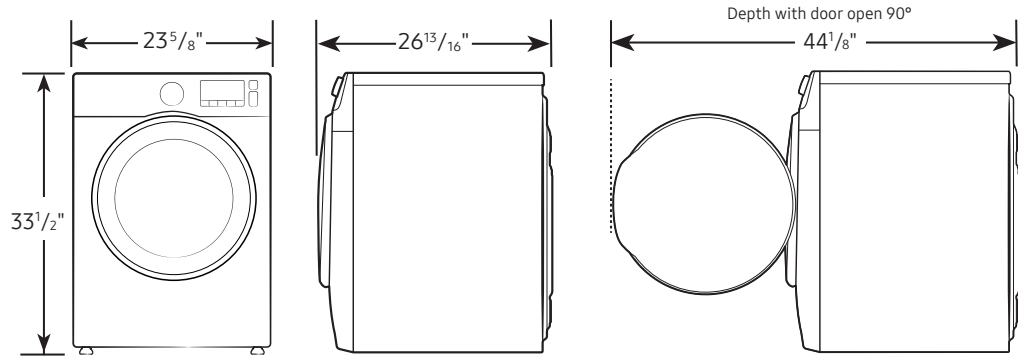
² Designed to fit a 30" installation depth.

WW25B6900AW

2.5 cu. ft. Smart Dial Front Load Washer with Super Speed Wash and Steam

SAMSUNG

Dimensions

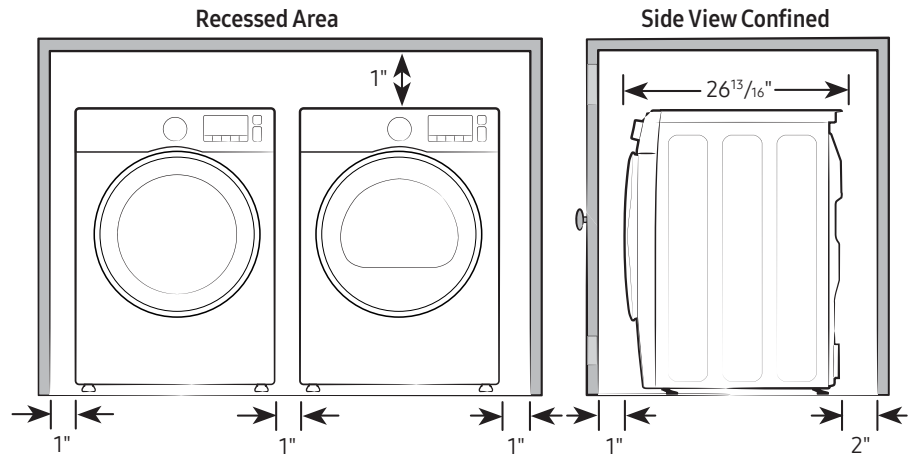


Installation Specifications – Side-by-Side or Stand-Alone

If the washer and dryer are installed together or the dryer alone, the closet front must have two unobstructed air openings for a combined minimum total area of 72-inch². Your washer alone does not require a specific air opening.

Alcove or closet installation

Minimum clearances for
closet and alcove installations:

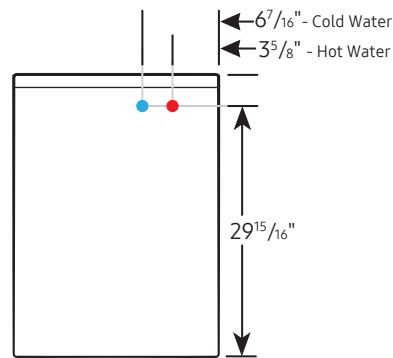


Connection Dimensions

Back view of washer

LEGEND:

- Cold Water Connection
- Hot Water Connection



Actual color may vary. Design, specifications, and color availability are subject to change without notice. Non-metric weights and measurements are approximate.

©2022 Samsung Electronics America, Inc., 85 Challenger Road, Ridgefield Park, NJ 07660. Tel: 800-SAMSUNG.samsung.com. Samsung is a registered trademark of Samsung Electronics Co., Ltd.

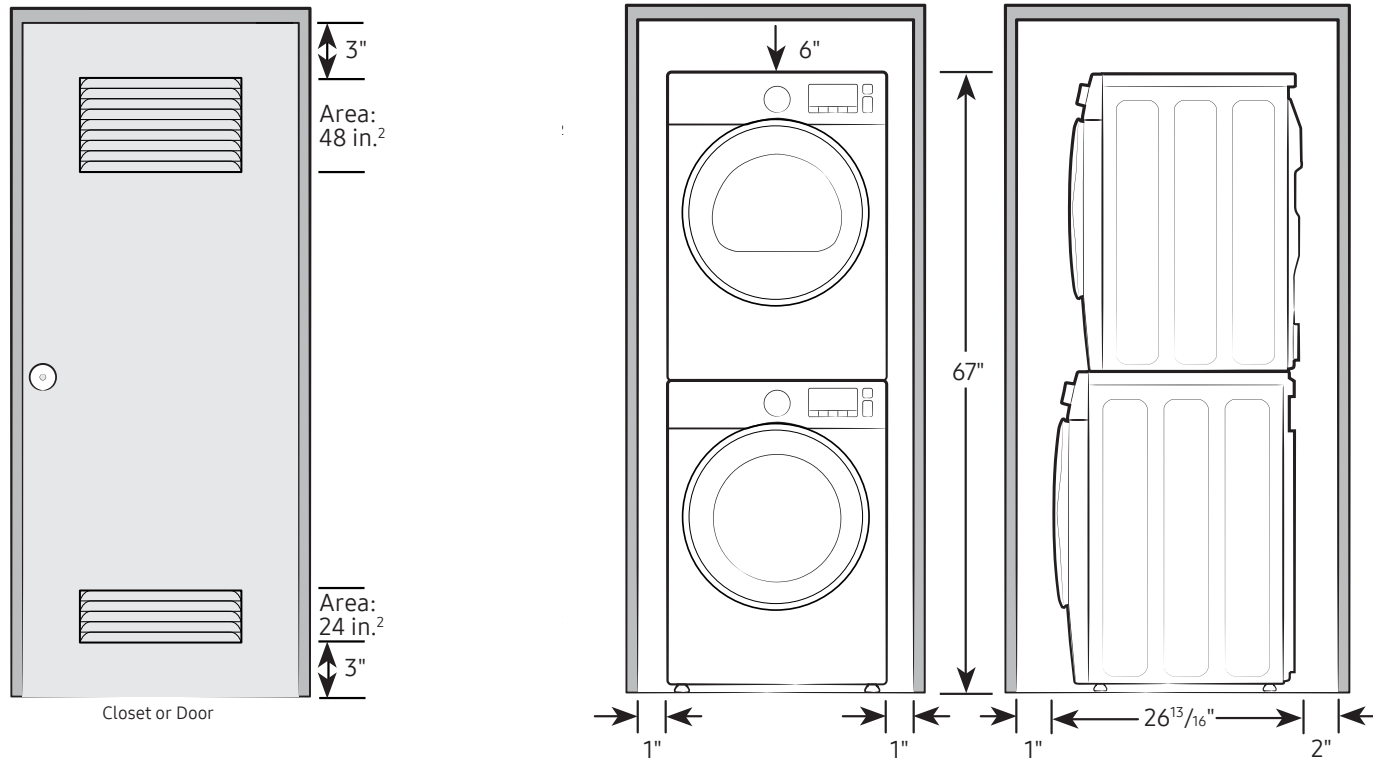
WW25B6900AW

SAMSUNG

2.5 cu. ft. Smart Dial Front Load Washer with Super Speed Wash and Steam

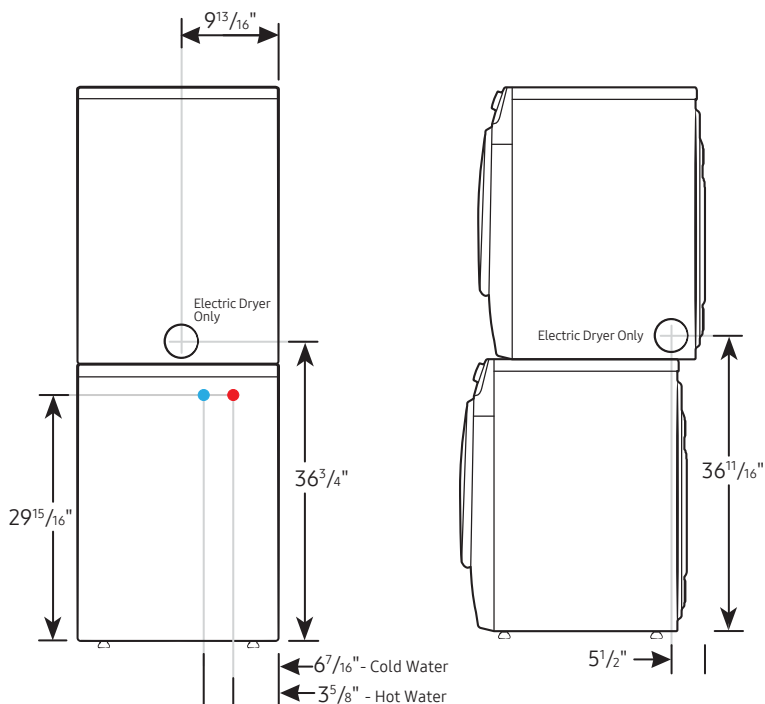
Installation Specifications – Stacked Pair

Clearances indicated are for stacked pairs. The closet front must have two unobstructed air openings for a combined minimum total area of 72-inch².



Connection Dimensions

Back and side views of stacked pair



LEGEND:
 ● Cold Water Connection
 ● Hot Water Connection

Actual color may vary. Design, specifications, and color availability are subject to change without notice. Non-metric weights and measurements are approximate.

©2022 Samsung Electronics America, Inc., 85 Challenger Road, Ridgefield Park, NJ 07660. Tel: 800-SAMSUNG.samsung.com. Samsung is a registered trademark of Samsung Electronics Co., Ltd.