




# WF53BB8900



## Bespoke 5.3 cu. ft. Ultra Capacity Front Load Washer with AI OptiWash™ and Auto Dispense



### Available Colors

-  **Silver Steel**  
WF53BB8900AT
-  **Brushed Navy**  
WF53BB8900AD
-  **Forest Green**  
WF53BB8900AG

### Features

- Bespoke Design
- 5.3 cu. ft. Ultra Capacity
- AI OptiWash™
- Auto Dispense System
- Super Speed Wash
- AI Smart Dial
- MultiControl™
- ENERGY STAR® Most Efficient
- Shallow Closet-Depth Fit<sup>1</sup>
- Flexible Installation
- Wi-Fi Connectivity<sup>2</sup>
- Steam
- Antimicrobial Technology<sup>3</sup>
- Self Clean+
- Premium Tempered Glass Door
- Vibration Reduction Technology+
- Swirl+ Drum Interior
- Internal Drum Light
- ADA Compliant<sup>4</sup>
- 1200 RPM Maximum Spin Speed
- Direct Drive Motor
- 25 Total Washing Cycles
- 18 Options

### Specifications

#### 25 Total Washing Cycles:

Normal, AI OptiWash, Heavy Duty, Bedding, Permanent Press, Delicates, Activewear, Wool, Towels, Eco Cold, Rinse + Spin, Self Clean+, Small Load, Colors, Spin Only, Outdoor, Denim, Super Speed, Steam Sanitize, Steam Allergen, Steam Normal, Power Steam, Steam Whites, Steam Bulky, Power Rinse

#### 18 Additional Washing Options:

Presoak, Extra Rinse, My Cycles, Delay End, Smart Control, Super Speed, Drum Light, Dose per Wash, Dose per Rinse, Child Lock, Detergent Concentration Level, Softener Concentration Level, AI Pattern, Alarm, Calibration, Wi-Fi, Language, Factory Reset

#### 5 Temperature Settings:

Extra Hot, Hot, Warm, Cold, Tap Cold

#### 7 Spin Settings:

Extra High, High, Medium, Low, Extra Low, No Spin, No Drain

#### 5 Soil Settings:

Extra Heavy, Heavy, Normal, Light, Extra Light

#### Warranty

**One (1) Year** Parts and Labor  
**Three (3) Years** Stainless Tub Part (Part Only)

Washing DIT (Digital Inverter Motor) Motor Part (Part Only):

**Ten (10) Years**

**Twenty (20) Years** Limited to "U.S.-Assembled" Washers Only

#### Product Dimensions & Weight (WxHxD)

Dimensions: 27" x 38<sup>3</sup>/<sub>4</sub>" x 34<sup>1</sup>/<sub>2</sub>"

Weight: 227.1 lbs

#### Shipping Dimensions & Weight (WxHxD)

Dimensions: 29<sup>3</sup>/<sub>8</sub>" x 42<sup>15</sup>/<sub>16</sub>" x 36<sup>1</sup>/<sub>4</sub>"

Weight: 233.7 lbs

### Convenience

- Child Lock
- Dispenser Trays: Main Wash, Bleach, Auto Detergent, Auto Softener

### Ratings



CEE Tier 3  
IMEF = 3.1  
IWF = 2.9  
103 kWh/yr

### Electrical Requirements

120 V / 60 Hz  
15 Amps

Washer	Model #	UPC Code
Silver Steel	WF53BB8900AT	887276652269
Brushed Navy	WF53BB8900AD	887276652252
Forest Green	WF53BB8900AG	887276711881
Matching Electric Dryer		
Silver Steel	DVE53BB8900T	887276657264
Brushed Navy	DVE53BB8900D	887276657257
Forest Green	DVE53BB8900G	887276711645
Matching Gas Dryer		
Silver Steel	DVG53BB8900T	887276657325
Brushed Navy	DVG53BB8900D	887276657318
Forest Green	DVG53BB8900G	887276711669

Optional Accessories	Model #	UPC Code
Silver Steel Pedestal	WE502NT	887276665283
Brushed Navy Pedestal	WE502ND	887276665276
Forest Green Pedestal	WE502NG	887276711676
Silver Steel Bespoke Stacking and MultiControl™ Combo Kit	SKK-9MCT	887276667379
Brushed Navy Bespoke Stacking and MultiControl™ Combo Kit	SKK-9MCD	887276667362
Forest Green Bespoke Stacking and MultiControl™ Combo Kit	SKK-9MCG	887276712819

<sup>1</sup>Designed to fit a 38" installation depth.

<sup>2</sup>Requires wireless network, Samsung account and Samsung SmartThings App. The Samsung SmartThings App supports Android OS 4.0 (ICS) or later which is optimized for Samsung smartphones (Galaxy S and Galaxy Note series). This app also supports iOS 7 or later for iPhone models. Samsung SmartThings App available in App Store and Play Store.

<sup>3</sup>Antimicrobial treatment does not protect users or other items against bacteria, viruses, germs, or other disease organisms.

<sup>4</sup>ADA Compliant when using 27" wide riser. (Riser model codes: WE272NV, WE272NW, WE272NC)

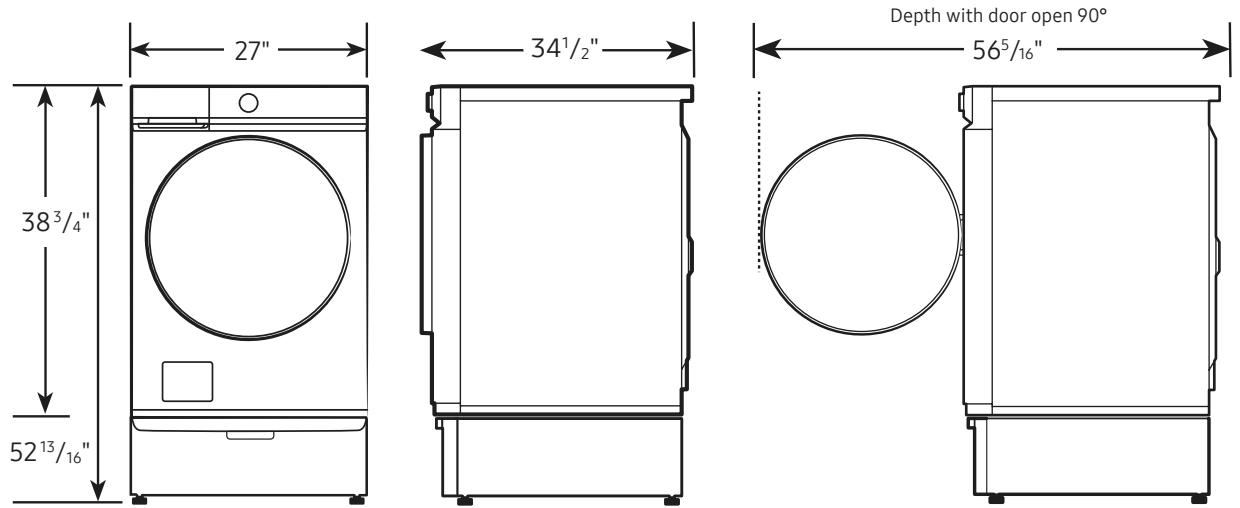
WF53BB8900

SAMSUNG

## Bespoke 5.3 cu. ft. Ultra Capacity Front Load Washer with AI OptiWash™ and Auto Dispense

### Dimensions

Required dimensions for installation with pedestal:

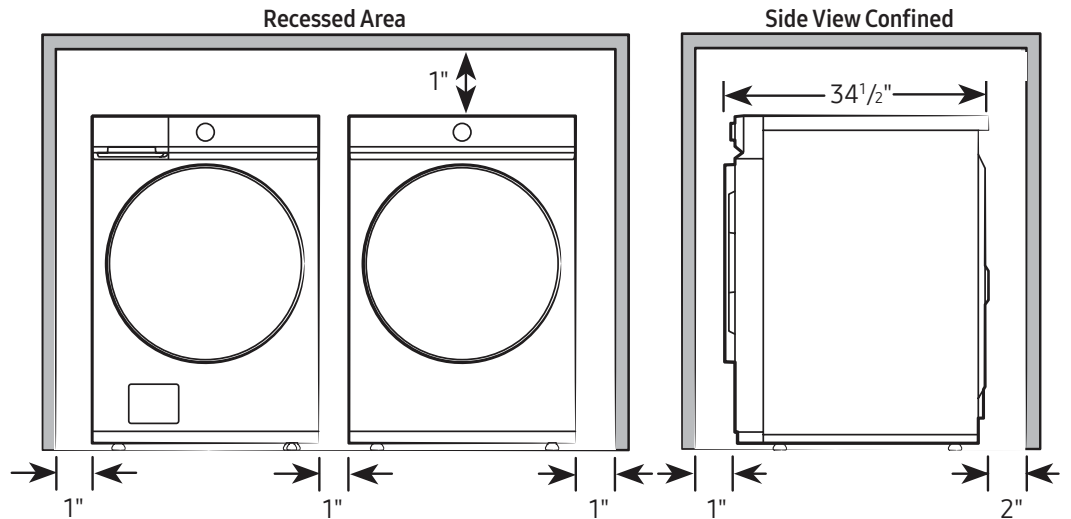


### Installation Specifications – Side-by-Side

If the washer and dryer are installed together or the dryer alone, the closet front must have two unobstructed air openings for a combined minimum total area of 72-inch<sup>2</sup>. Your washer alone does not require a specific air opening.

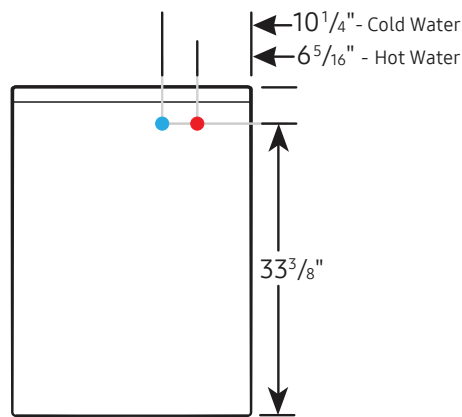
Alcove or closet installation

Minimum clearance for closet and alcove installations:



### Connection Dimensions

Back view of washer



#### LEGEND:

- Cold Water Connection
- Hot Water Connection

Actual color may vary. Design, specifications, and color availability are subject to change without notice. Non-metric weights and measurements are approximate.

©2022 Samsung Electronics America, Inc., 85 Challenger Road, Ridgefield Park, NJ 07660. Tel: 800-SAMSUNG.samsung.com. Samsung is a registered trademark of Samsung Electronics Co., Ltd.

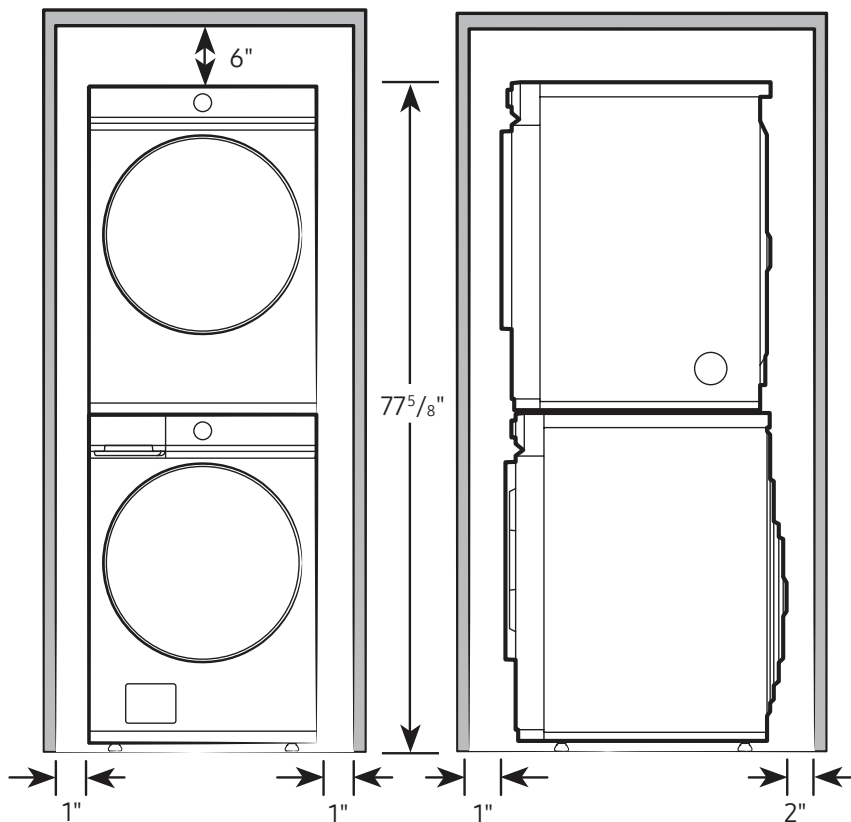
WF53BB8900

SAMSUNG

# Bespoke 5.3 cu. ft. Ultra Capacity Front Load Washer with AI OptiWash™ and Auto Dispense

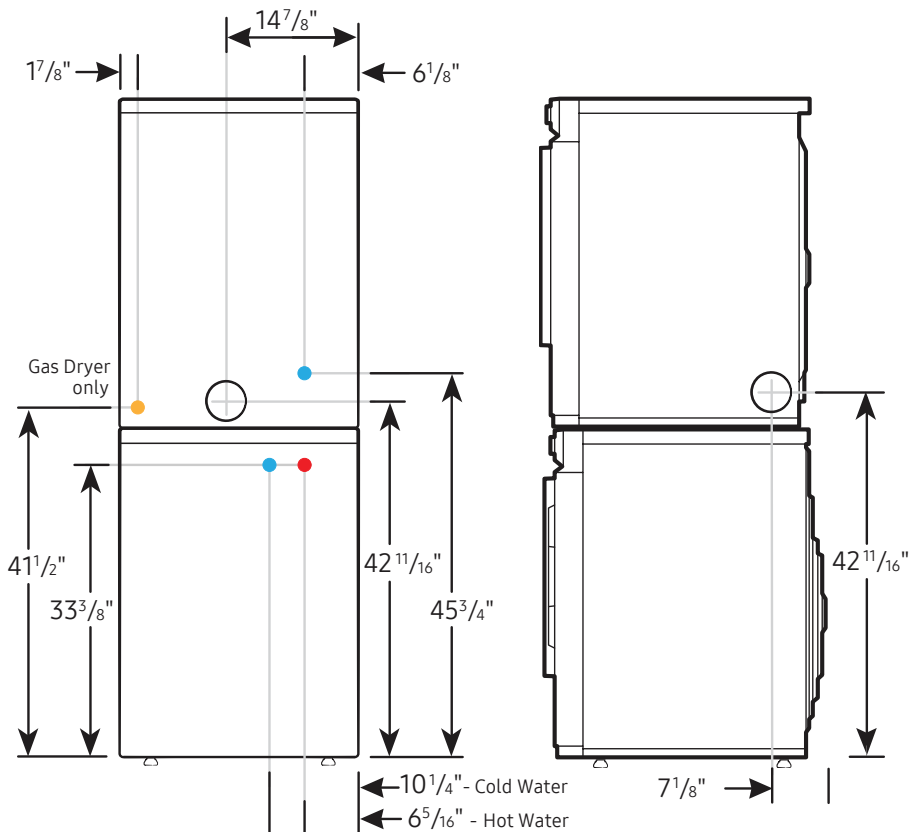
## Installation Specifications – Stacked Pair

Clearances indicated are for stacked pairs. The closet front must have two unobstructed air openings for a combined minimum total area of 72-inch<sup>2</sup>.



## Connection Dimensions

Back and side views of stacked pair



- LEGEND:**
- Cold Water Connection
  - Hot Water Connection
  - Gas Connection

Actual color may vary. Design, specifications, and color availability are subject to change without notice. Non-metric weights and measurements are approximate.

©2022 Samsung Electronics America, Inc., 85 Challenger Road, Ridgefield Park, NJ 07660. Tel: 800-SAMSUNG.samsung.com. Samsung is a registered trademark of Samsung Electronics Co., Ltd.