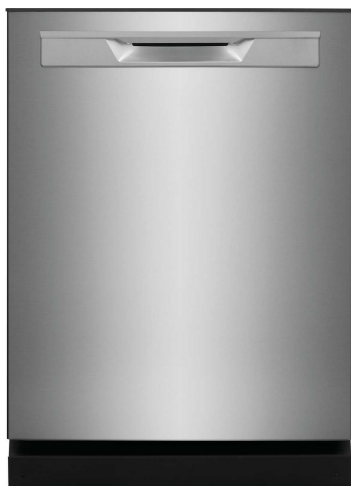


FRIGIDAIRE

GALLERY



24" Built-In Dishwasher

Dishwasher

Available Products: GDPP4517AD, GDPP4517AF

Available Colors: Black Stainless Steel, Stainless Steel

Version: 01/24

Product Specifications

Dishwasher

Detergent Dispenser	Yes
Filter Material	Stainless Steel
Filter Trap	Removable
Filtered Water	100 %
Hard Food Disposer or Filtration	Yes
Interior Light	No
Motor Speeds	Multi-Speed
Place Setting Capacity	14
Rinse Aid Dispenser	Yes
Smart Soil Sensor	Yes
Lower Spray Arm	Dual Orbit
Middle Spray Arm	Dual Orbit
Upper Spray Arm	Spray Arm
Status Indicator Floor Beam	Yes
Tub Color	Midnight Ink
Tub Design	Tall Tub
Tub Material	Plastic
Wash Levels	5
Wash System	Direct Feed
Water Pressure	120 psi

Dishwasher Options

Air Dry	Yes
Drying System	MaxBoost
Heated Dry	Yes
High Temperature	Yes
Start/Cancel	Yes

Upper Rack

Cup Shelf	Yes
Fold-Down	Yes
Minimum Height Clearance	8"
Rack Handles	Yes
Rack Type	Adjustable
Stemware Holder	Yes

Exterior

Door and Handle Design	Wide Pocket
Door Latch	Pull
Door Type	StayPut

Dishwasher Cycles

China Crystal	Yes
Energy Saver	Yes
Favorite	Yes
Heavy	Yes
Normal	Yes
Number of Cycles	8
Quick	Yes
Rinse Only	Yes
Upper Rack	Yes

Lower Rack

Fold-Down	Yes
Maximum Height Clearance	13"
Minimum Height Clearance	11"
Number of Silverware Basket	1
Number of Silverware Basket Lids	3
Rack Type	Deluxe

Controls

Control Color	Black
Control Location	Top
Delay Start Hours	1-24 Hours
Digital Display	Yes
Control Lock	Yes
Rinse Aid Indicator	Yes

Dimensions and Volume

Minimum Height	33 1/2"
Maximum Height	35"
Width	24"
Depth	25"
Depth With Door Open	49 1/4"

Installation

Connection Location	Right Bottom
Number of Leveling Legs	4
Water Inlet Location	Left Bottom Front

Performance Certifications and Approvals

CEE Tier	Tier 1
ENERGY STAR Certified	Yes

For planning purposes only. We reserve the right to change specifications or discontinue models without notice. Refer to Product Installation Guide for detailed installation instructions on the web at [frigidaire.com / frigidaire.ca](http://frigidaire.com/frigidaire.ca) Electrolux Major Appliances, N.A.

USA • 10200 David Taylor Drive • Charlotte, NC 28262 • Charlotte, NC 28262 • 1-877-4electrolux (1-877-435-3287) • frigidaire.com
CANADA • 5855 Terry Fox Way • Mississauga, ON L5V 3E4 • 1-800-265-8352 • frigidaire.ca

Electrical Specifications

Amps @ 120 Volts	10 Amps
Connected Load @ 120V	1.2 kW
Voltage Rating	120 V

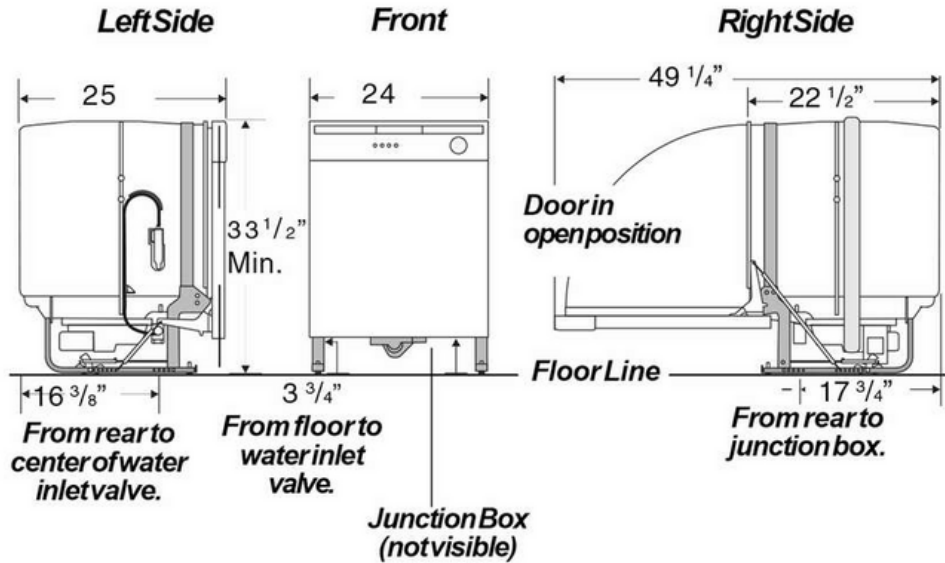
General Specifications

Sound Level	49 dBA
Annual Energy	240 kWh
Prop 65 Label	Yes
Warranty - Labor	1 Year
Warranty - Parts	1 Year

Safety Certifications and Approvals

UL Listed	Yes
cUL Listed	Yes
Meets ASSE 1006 Requirements	Yes
NSF Certified	Yes

Installation Diagram



*DIMENSIONS DO NOT INCLUDE INSULATION

