

# HPD24414W

## 24" Ventless Heat Pump Dryer



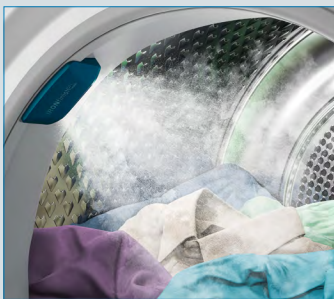
### GENERAL PROPERTIES

Dryer Type	Heat Pump, Ventless
Style	Front Load
Capacity	4.5 cu. ft.
Dry Load Capacity	17.7 lbs.
Control Type	Digital Display (White LED)
Connectivity	WiFi thru HomeWhiz™
Matching Washer	WFTV10733XC

### FEATURES

Steam Dryer	Yes
OptiSense (Sensor Drying)	Yes
Bi-Directional Drum Action	Yes
Interior Drum LED Lighting	Yes
Automatic Water Draining	Yes
Clean Filter Indicator	Yes
Program Follower	Yes
Delay Start Time (Ending In)	0-24 Hours

## PREMIUM TECHNOLOGY



### IRONFINISH

Introducing steam at just the right time and temperature gives you clothes ready to wear right out of the dryer.



### SANIDRY & SANIREFRESH

New programs use steam and precise temperatures for perfectly fresh and sanitized clothes.



### ENERGY STAR® MOST EFFICIENT

There's no reason to sacrifice the serenity of your home for the performance of a Beko washer and dryer. Our technologically advanced ProSmart Inverter Motor provides both noise reduction and superior cleaning ability. Plus, it's durable and energy efficient, so you can have some peace with your quiet.

# HPD24414W



## 24" Ventless Heat Pump Dryer

### FEATURES CONTINUED

Remaining Time Indicator	Yes
End of Cycle Buzzer (On / Off)	Yes
Child Lock	Yes
ProSmart Inverter Motor	Yes
Silence Level	66 dBA
Glass Door	Yes, with Heat Protection
Adjustable Leveling Legs	4
Stackable	Yes

### EFFICIENCY

Energy Efficiency Class	CEE Advanced Tier
ENERGY STAR® Certified	Yes, Most Efficient 2022
Total Annual Energy Consumption (kWh)	217 kWh/year

### CYCLES

Number of Cycles	15
Cottons / Normal	Yes
Cottons Eco / Energy Saver Cycle	Yes
Permanent Press	Yes
Fitness Wear	Yes
Mixed Fabric	Yes
Jeans	Yes
Bulky / Large Items	Yes
SaniDry	Yes
SaniRefresh	Yes
Easy Iron	Yes
Gentle Care	Yes
Silent	Yes
Quick Dry (30 min.)	Yes
Timed Dry	Yes, 10-160 min.
Download Cycles	Yes (Bedding, Underwear, Towel, Refresh (Wool Refresh, Wool Protect))

### OPTIONS

Dry / Time Level	Yes
Remote Control	Yes

### MATERIALS AND FINISHES

Drum Material	Stainless Steel
Cabinet	White
Door Rim	Chrome
Cycle Selector Knob	Black with Chrome Rim

### TECHNICAL INFORMATION

Energy Source	Electric
Total Power (W)	800 W
Volts / Frequency	208/240V / 60Hz
Rated Amps (A) / Min. Circuit Breaker	4 A / 15 A
Circuit Required for Laundry Pair	30A Dedicated (matching washer can plug into dryer)
Power Cord	Included, 4-Wire (NEMA 14 -30R)
Power Cord Length	4.9 ft.
Drain Hose Length	63 1/2 in.
Door Hinge	Right Side (Reversible)

### DIMENSIONS & WEIGHT

Product Dimensions (HxWxD) (in)	33 5/16 x 23 5/8 x 27 1/2
Product Depth with Door Open (in)	46 1/2
Product Height When Stacked (in)	67 3/4
Required Cutout Size (HxWxD) (in)	36 x 24 3/4 x 25
Carton (H x W x D) (in)	35 x 26 1/5 x 28
Product Weight (lbs)	122.3
Shipping Weight (lbs)	132.27

# HPD24414W



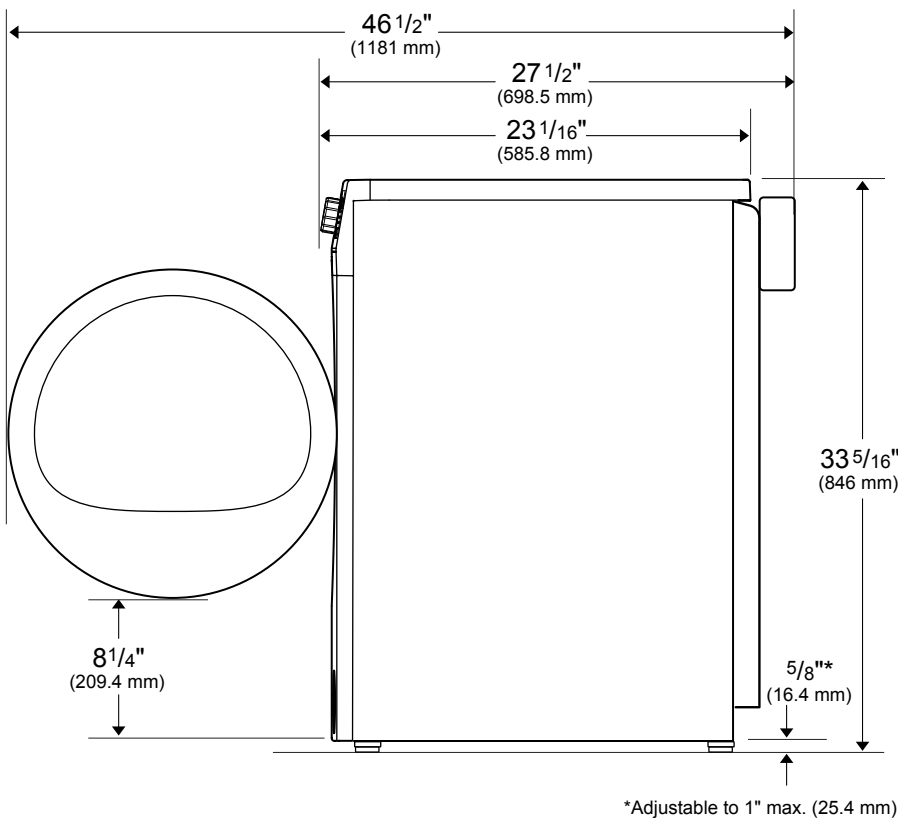
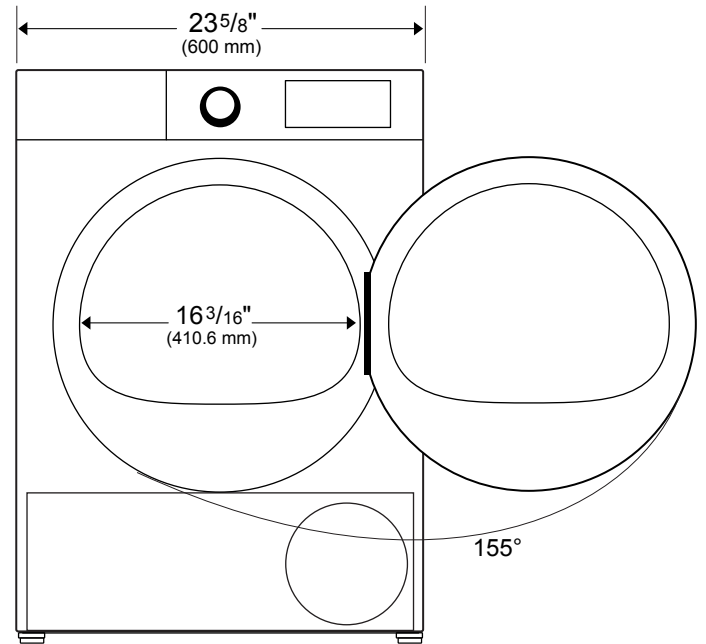
## 24" Ventless Heat Pump Dryer

### ACCESSORIES (INCLUDED)

Stacking Kit	Yes (2974640200)
Drain Hose	Yes

### WARRANTY

Entire Appliance	2 year Limited Warranty (Parts & Labor)
Circuit Board and Dryer Drum	5-year Limited Warranty (Parts Only Years 3-5)
Stainless Steel Drum	Lifetime (Parts Only After 2 Years)



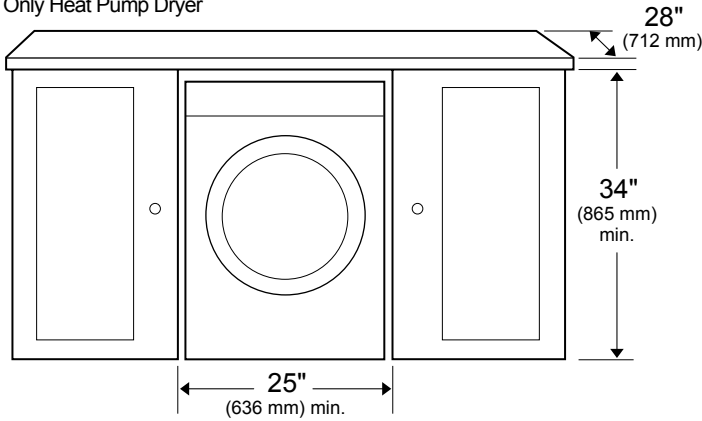
# HPD24414W



## 24" Ventless Heat Pump Dryer

### Clearances for Undercounter Installation

Only Heat Pump Dryer

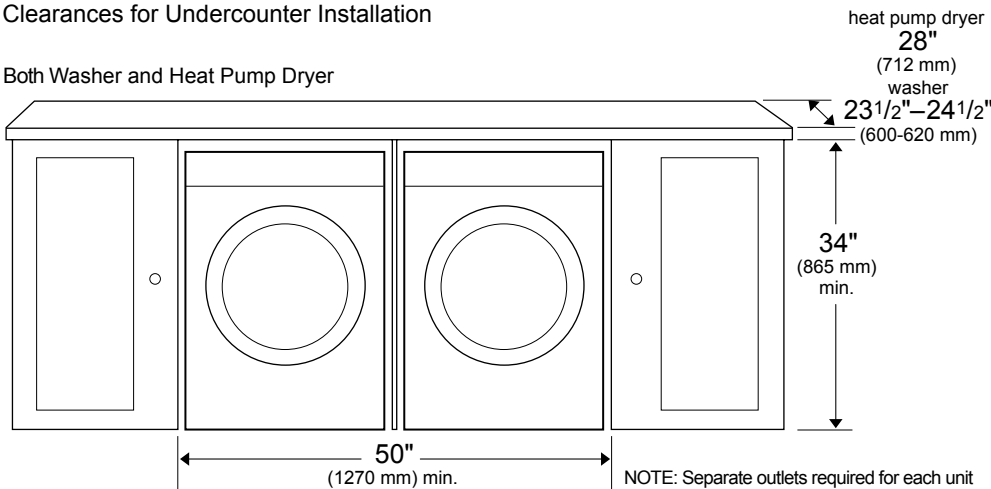


Required Minimum Clearances:  
(Stand Alone, Side by Side, or Stacked)

Washer	Heat Pump Dryer
Top: 1" (25 mm)	Top: 1" (25 mm)
Sides: 1/2" (13 mm)	Sides: 1/2" (13 mm)
Rear: 1/2" (13 mm)	Rear: 1/2" (13 mm)
Front: xxxxx	Front: 3/16" (5 mm)

### Clearances for Undercounter Installation

Both Washer and Heat Pump Dryer



#### Closet Door Ventilation Requirement

**Washer:**  
A louver having minimum 23 in<sup>2</sup> (148 cm<sup>2</sup>) air opening located at 3 in (7.62 cm) distance from the bottom of closet door.

**Vented Dryer:**  
A louver having minimum 46 in<sup>2</sup> (297 cm<sup>2</sup>) air opening located at 3 in (7.62 cm) distance from the top of closet door.

**Heat Pump Dryer:**  
Closet door must have 2 openings, one located 3.2 inches (8 cm) from bottom of door having a minimum area of 16 in<sup>2</sup> (103 cm<sup>2</sup>) and the other one located 3 inches (7.5 cm) from top of door having a minimum area of 46 in<sup>2</sup> (294 cm<sup>2</sup>).

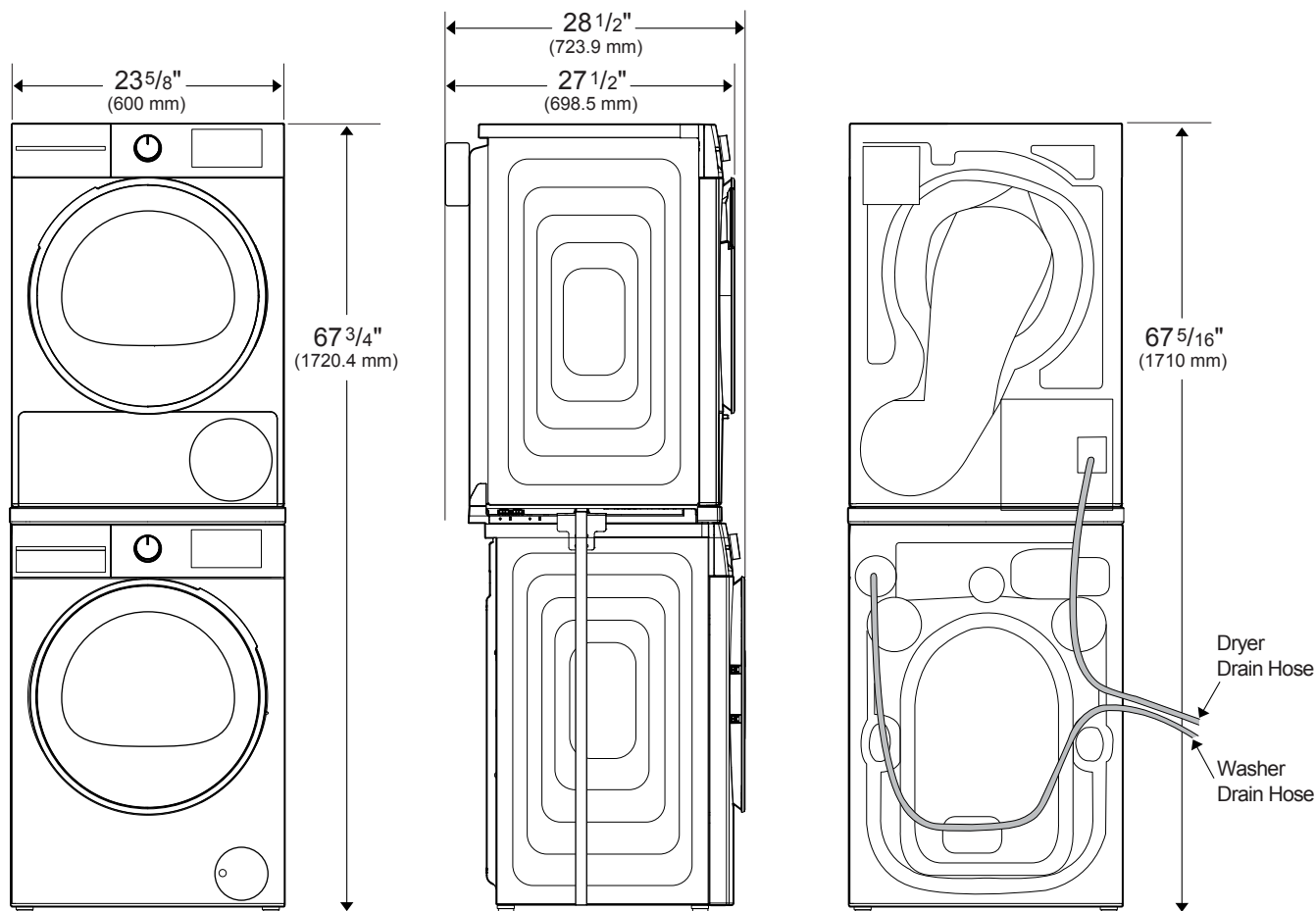
NOTE: Separate outlets required for each unit

# HPD24414W



## 24" Ventless Heat Pump Dryer

### Stacked Installation – Washer and Ventless Heat Pump Dryer



NOTE: Separate outlets required for each unit

NOTE TO THE INSTALLER: All height, width, and depth dimensions are shown in inches (as well as metric). Beko U.S., Inc. reserves the absolute and unrestricted right to change product materials and specifications, at any time, without notice. Please visit our website, [www.BekoAppliances.com](http://www.BekoAppliances.com), or call 888.352.2356 to verify the latest specifications with final dimensional data and other details prior to installation and making a cutout. Applicable product limited warranty information may be found in accompanying product materials, or you may contact your account manager for further details. Proper installation is the responsibility of the installer. Product failure due to improper installation is not covered under the Limited Warranty.