

24" Compact Front Load Washer

BWM7200X



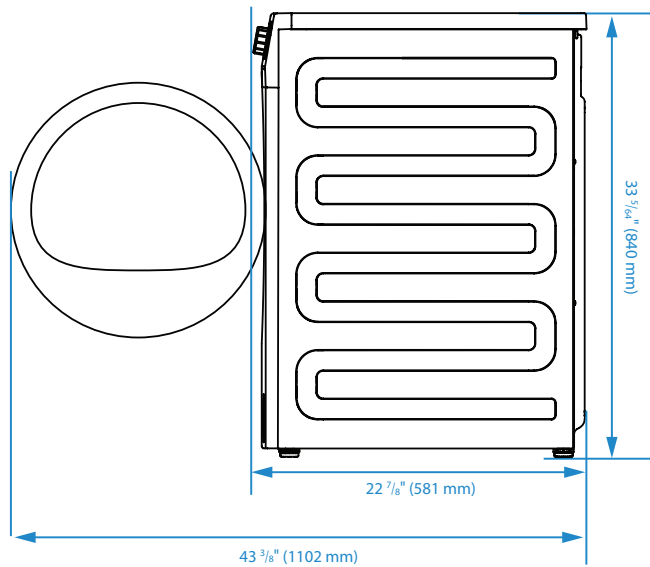
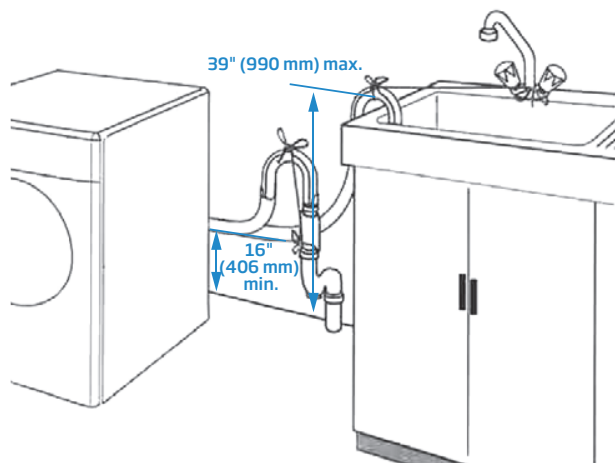
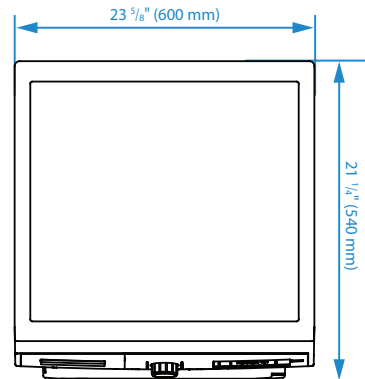
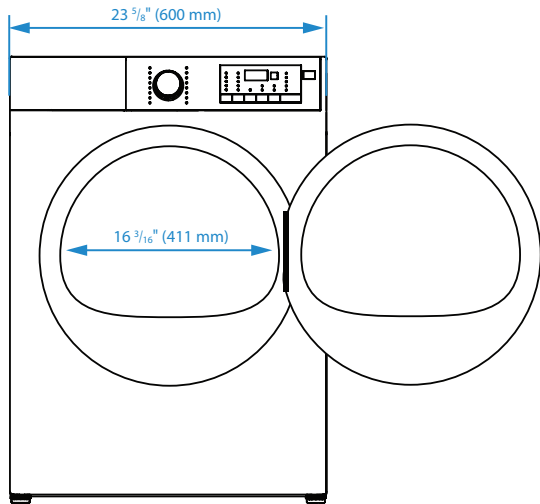
KEY FEATURES

- 1,200 RPM Maximum Spin Speed
- Electronic Controls with Child Lock
- Lifetime Stainless Steel Drum
- Allergen Cycle, Powered by Steam, Reduces Allergy Triggers Such as Pet Dander
- Down Wear Cycle Easily Cleans Down Jackets, Vests, and Comforters
- Organic Wash Cycle Improves the Performance of Organic Detergents.

GENERAL	
Capacity cu. ft.	1.95 cu. ft.
Washing Load Capacity	15.4 lbs. (7 kg)
Style	Front loading
Maximum spin speed rpm	1200 rpm
Variable spin speed	Yes
Automatic temperature control	Yes
Control	Digital Display
Delay time	0-19 hr
Remaining time indicator	Yes
Drum material	Stainless Steel
Dispenser	Yes
Automatic Water Adjustment System	Yes
Overflow Safety	Yes
Adjustable Leveling Legs	4
FUNCTIONS	
Heavy Soil	Yes
Soak	Yes
Extra Rinse	Yes
AntiCrease+	Yes
Child Lock	Yes
CYCLES	
Number of cycles	15
Cottons / Normal	Yes
Perm Press	Yes
Heavy Duty	Yes
Allergen	Yes
Rinse	Yes
Spin + Drain	Yes
Tub Sanitize	Yes
Down Wear	Yes
Cool Clean	Yes
Delicates/Dark	Yes
Organic Wash	Yes
Quick Wash	Yes
FINISHES	
Cabinet	White
Door Rim	Gray
Cycle Selector Knob	Gray
TECHNICAL FEATURES	
Rated Current Amps	15 A
Voltage / Frequency	120 V / 60 Hz
Plug	Into Wall Receptical
Pairs with Matching Beko Dryer	BDV7200X
DIMENSIONS	
Product Dimensions (H x W x D) in	33 ⁵ / ₆₄ x 23 ⁵ / ₆₄ x 22 ⁷ / ₆₄ in.
Product Dimensions (H x W x D) cm	84 x 60 x 58 cm
Product Weight kg	71kg
Product Weight lbs.	156.5 lbs.

24" Compact Front Load Washer

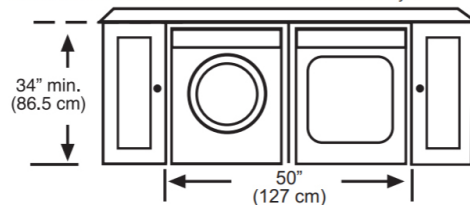
BWM7200X



Required Minimum Air Gap Clearance:

- 1/2" (13 mm) Top
- 1/2" (13 mm) Sides
- 1/2" (13 mm) Back

Custom undercounter installation – Washer & Dryer



NOTE TO THE INSTALLER: All height, width, and depth dimensions are shown in inches (as well as metric). Beko U.S., Inc. reserves the absolute and unrestricted right to change product materials and specifications, at any time, without notice. Please visit our website, www.BekoAppliances.com, or call 888.352.2356 to verify the latest specifications with final dimensional data and other details prior to installation and making a cutout. Applicable product limited warranty information may be found in accompanying product materials, or you may contact your account manager for further details. Proper installation is the responsibility of the installer. Product failure due to improper installation is not covered under the Limited Warranty.

888.352.BEKO(2356) | beko.com/us-en

