

# Leonardo Espresso 30-inch Electric Range in Stainless-Steel 5.0 cu. ft.

Model: FFSEL6012-30



## KEY FEATURES

- Knob control
- Black cavity • Standard clean
- Oven functions : Light , bake , Convection bake , Broil , Convection Broil , Convection roast , defrost
- Cooker top power :  
Right Front 2500W / Right Rear 1200W  
Left Front 2200W / Left Rear Burner 1200W
- Accessories : 2 racks

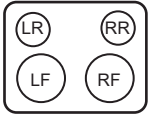
## APPEARANCE

Appliance type	Electric Range
Range Size	30"
Unit material	Stainless Steel
Unit color	Stainless Steel
Oven Interior	Speckled Blue
Handle Color	Stainless Steel
Cooktop surface type	Ceramic Glass
Number of burners	4
Number of Ovens	1
Case material	Stainless Steel
Burner Size	
	Left Front : 9"
	Left Rear : 6"
	Right Front : 10"
	Right Rear : 6"

## FEATURES

Type Convection	Single Fan
Oven Cleaning Type	Standard Clean
Light indicator preheat signal	Yes
Rack material	Chrome-Plated
Oven Modes:	
	Bake Yes
	Convection bake Yes
	Broil Yes
	Convection Broil Yes
	Convection Roast Yes
	Defrost Yes
Oven Light(s) Control	Yes
Hidden Bake element	Yes
Oven rack	
	Rack Levels 6
	Oven Racks 2
	Rack Dimensions 24"W x 15.75"D

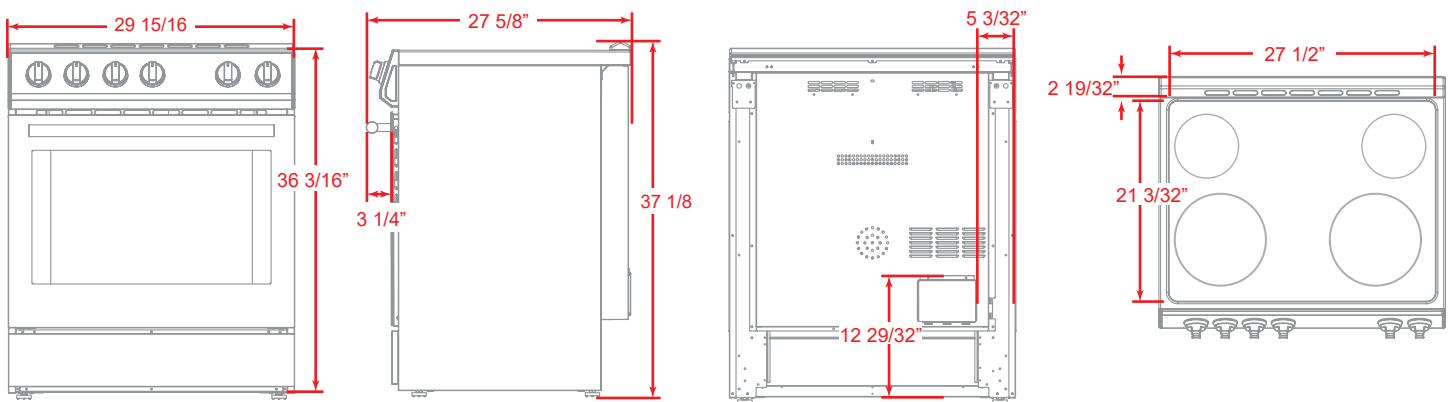
## CAPACITY

Size	W: 30" H: 36" D: 25"
Leveling Leg	Max: 2" Min: 2 <sup>5</sup> / <sub>64</sub> "
Oven capacity	W: 24 1/2" H: 19 11/16" D: 17 11/16" cu. ft: 5
Burner capacity	
	Left Front : 2200W
	Left Rear : 1200W
	Right Front : 2500W
	Right Rear : 1200W
Bake Wattage	1500W
Broiler Wattage	2000W

## TECHNICAL SPECIFICATIONS

Electrical supply	240 V 60 HZ
Total Amp Use	44.25
Power Cord	No
Certification	ETL Listed (Can & Us)
Warranty	2 yrs
Packaging dimensions	W: 29" H: 38" D: 33"
Carton Weight	176.37lbs

## PRODUCT DIMENSION



## CUTOUT DIMENSION

