



**ELECTRIC RANGE  
MODEL NUMBER SERIES**

**FFSEL6012-30 | FFSEL6012-30BLK | FFSEL6012-30WHT**

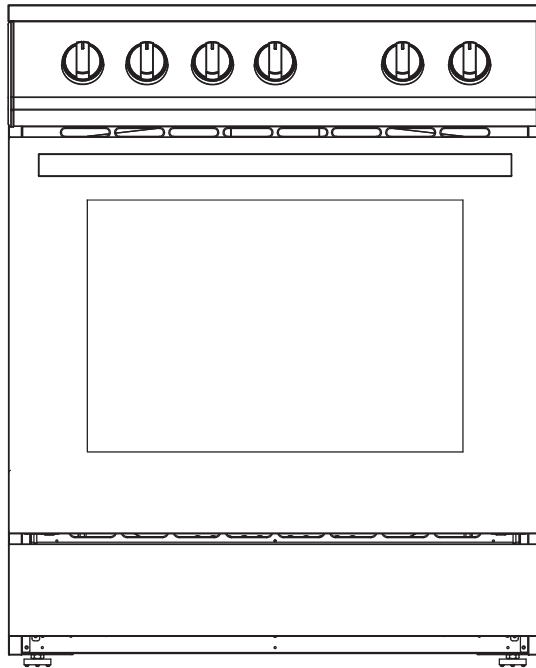
**INSTALLATION GUIDE**

Read these instructions carefully before using your appliance, and keep it carefully.  
If you follow the instructions, your appliance will provide you with many years of good service.

## TABLE OF CONTENTS

Range Safety	4
Tools and Parts	6
Installation Requirements	7
Electrical Requirements - U.S.A. Only	9
Electrical Requirements - Canada Only	9
Step 1 - Unpack Range	10
Step 2 - Install Anti-Tip Bracket	11
Step 3 - Make Electrical Connection	12
Step 4 - Install Range	19
Step 5 - Complete Installation	20

## **ELECTRIC RANGE**



### **MODEL NUMBER SERIES**

**FFSEL6012-30 | FFSEL6012-30BLK | FFSEL6012-30WHT**



## WARNING

FOR YOUR SAFETY

### Your safety and the safety of others are very important.

We have provided many important safety messages in this manual and on your appliance. Always read and obey all safety messages.



This is the safety alert symbol.

This symbol alerts you to potential hazards that can kill or hurt you and others. All safety messages will follow the safety alert symbol and either the word “DANGER,” “WARNING” or “CAUTION.”

These words mean:



An imminently hazardous situation. You could be killed or seriously injured if you don't immediately follow instructions.




A potentially hazardous situation which, if not avoided, could result in death or serious bodily injury.



A potentially hazardous situation which, if not avoided, may result in moderate or minor injury.

All safety messages will tell you what the potential hazard is, tell you how to reduce the chance of injury, and tell you what can happen if the instructions are not followed.

 **WARNING:** This product can expose you to chemicals including [Lead , Lead and lead compounds ], which is [are] known to the State of California to cause cancer and birth defects or other reproductive harm. For more information go to [www.P65Warnings.ca.gov](http://www.P65Warnings.ca.gov).




**WARNING**  
FOR YOUR SAFETY

**State of California Proposition 65 Warnings:**

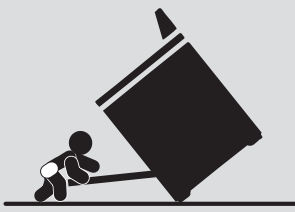
**WARNING:** This product contains one or more chemicals known to the State of California to cause cancer.

**WARNING:** This product contains one or more chemicals known to the State of California to cause birth defects or other reproductive harm.



**WARNING**

**Tip Over Hazard**

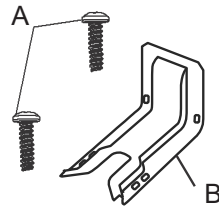


A child or adult can tip the range and be killed.  
Connect anti-tip bracket to rear range foot.  
Reconnect the anti-tip bracket, if the range is moved.  
See the installation instructions for details.  
Failure to follow these instructions can result in death or serious burns to children and adults.

## Tools and Parts

Check Box	Tools
	Tape Measure
	Flat-Blade Screwdriver
	Phillips Screwdriver
	Level
	Cordless Electric Drill
	Hammer
	Wrench or Pliers
	Metal Saw
	Metal Snips or Large Wire Cutters
	15/N6" Combination Wrench
	3/8" Nut Driver
	1/4" Nut Driver
	1/8" (3.2 mm) Drill Bit (for wood floors)
	Marker or Pencil
	Masking Tape

Gather the required tools and parts before starting installation. Read and follow the instructions provided with any tools listed here.



A: 16 x 15/8" Screws (2)  
B: Anti-tip Bracket

**NOTE:** The Anti-tip bracket must be securely mounted to the subfloor. The thickness of flooring may require longer screws to anchor bracket to subfloor. Longer screws are available from your local hardware store.

### Parts Needed:

If using a power supply cord:

- A UL listed power supply cord kit marked for use with ranges. The cord should be rated at 250 volts minimum, 40 amps or 50 amps that is marked for use with nominal 13/8" (3.5 cm) diameter connection opening and must end in ring terminals or open-end spade terminals with upturned ends.

- A UL listed strain relief.

If direct wiring:

- Flexible Metal Conduit
- UL Listed Conduit Connector
- 4-wire or 3-wire Electrical Cable (where local codes permit a 3-wire connection).
- UL Listed Wire Connectors

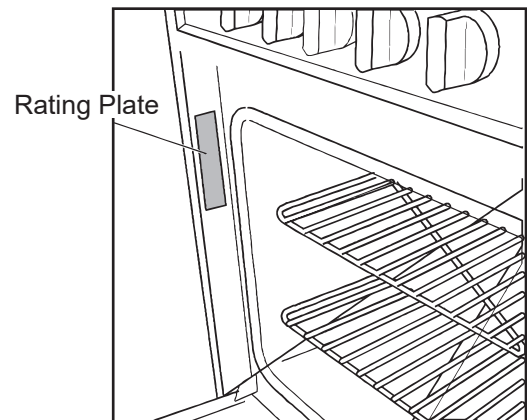
Check local codes. Check existing electrical supply. See the appropriate "Electrical Requirements" section. It is recommended that all electrical connections be made by a licensed, qualified electrical installer.

## Location Requirements

**IMPORTANT:** Observe all governing codes and ordinances.

### Ventilation

- It is the installer's responsibility to comply with installation clearances, if specified, on the model/serial rating plate. The model/serial rating plate is located on the left-hand side of the oven frame. Open oven door to view label. See label on back panel of range for additional element and oven power ratings.



## Location Requirements (continued)

### Temperature

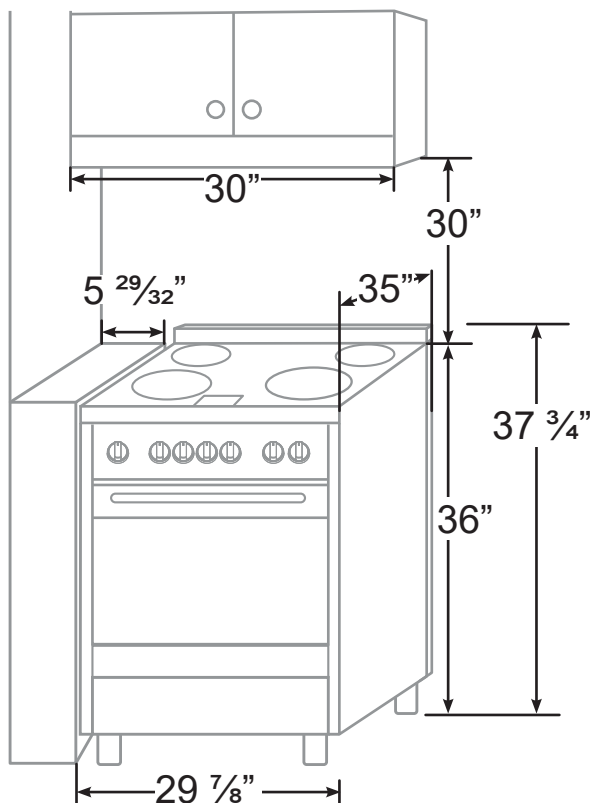
**IMPORTANT:** Some cabinet and building materials are not designed to withstand the heat produced by the oven for baking and self-cleaning. Check with your builder or cabinet supplier to make sure that the materials used will not discolor, delaminate or sustain other damage.

- Contact a qualified floor covering installer to check that the floor covering can withstand at least 200°F (93°C).
- Use an insulated pad or 1/4" (0.64 cm) plywood under range if installing range over carpeting.

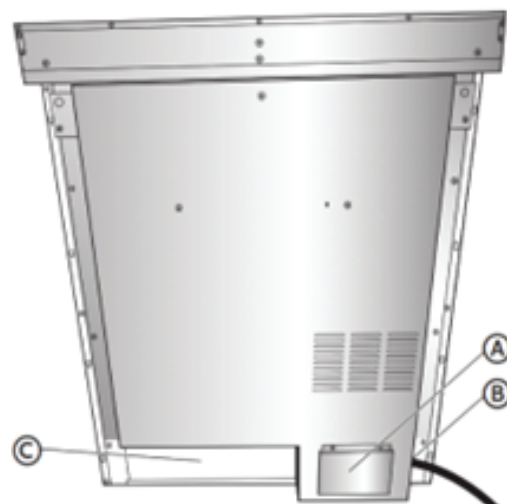
### General

- The range should be located for convenient use in the kitchen.
- Recessed installations must provide complete enclosure of the sides and rear of the range.
- To eliminate the risk of burns or fire by reaching over heated surface units, cabinet storage space located above the surface units should be avoided. If cabinet storage is to be provided, the risk can be reduced by installing a range hood or microwave hood combination that projects horizontally a minimum of 5" (12.7 cm) beyond the bottom of the cabinets.
- All openings in the wall or floor where the range is to be installed must be sealed.
- Do not seal the range to the side cabinets.
- Ground electric supply is required. See "Electrical Requirements" section.

## Installation Requirements



Note: Range can be raised approximately 1" (2.5 cm) by adjusting the leveling legs. The front of door and drawer may extend farther forward depending on styling.

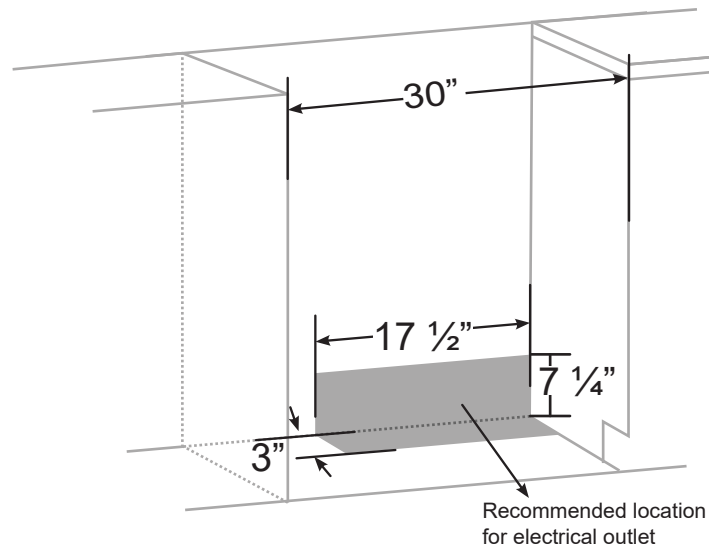


A	Access Panel to Electrical Supply Connection
B	Power Cord Opening
C	Recessed Area

## Location Requirements (continued)

### Power Supply

**IMPORTANT:** To connect to an outlet in the wall, the electrical outlet must be recessed. If the electrical outlet is on the floor, it can be either recessed or surface mounted.



## Electrical Requirements

**IMPORTANT:** This appliance is manufactured with the chassis connected to the neutral by a green ground jumper wire. Use a 3-wire, UL listed, 50-amp power supply cord (pigtail); or if local codes do not permit ground through the neutral, use a 4-wire power supply cord rated at 250 volts, 50 amps and intended for use with ranges. The ground must be re-wired so the green ground wire of the 4-wire power supply is connected to the chassis. See "4-Wire Connection: "Power Supply Cord" and "Direct Wire - U.S.A. Only" "4-Wire Connection (Ungrounded Neutral)" sections.

If codes permit and a separate ground wire is used, it is recommended that a qualified electrical installer determine that the ground path is adequate and wire gauge is in accordance with local codes.

To properly install your range, you must determine the type of electrical connection you will be using and follow the instructions provided for it here.

- Range must be connected to the proper electrical voltage and frequency as specified on the model/serial number rating plate. All models are dual rated and designed to be connected to either  $120/208$  or 120/240V AC, 60Hz, 3-wire or 4-wire, single-phase power supply.

Voltage and Frequency	Amps	Circuit Required
240V, 60 Hz	50 A	50 Amp Circuit
208V, 60 Hz	43 A	45 Amp Circuit

- When a 4-wire, single phase 120/240-volt, 60 Hz., AC only electrical supply is available, a 50-amp maximum circuit protection is required (or if specified on the model/serial rating plate, when a 4-wire, single phase 120/208-volt 60 Hz., AC only electrical supply is available, a 45-amp maximum circuit protection is required).
- For direct wire installations, install a suitable conduit box (not furnished). An appropriately sized UL conduit connector must be used to correctly attach the conduit to the junction box.  
**IMPORTANT:** Local Codes may vary; installation electrical connections and grounding must comply with all applicable local codes.



## Electrical Requirements (continued)

---

### ELECTRICAL REQUIREMENTS - U.S.A. ONLY

- Do not use an extension cord.
- Be sure that the electrical connection and wire size are adequate and in conformance with the National Electrical Code, ANSI/ NFPA No. 70-latest edition and all local codes and ordinances.
- A copy of the above code standards can be obtained from:  
National Fire Protection  
Association One Batterymarch Park Quincy, MA 02269.



# WARNING



### Electrical Shock Hazard

The electrical power to the oven branch circuit must be shut off while line connections are being made. Do not use an extension cord with this appliance.

Electrical ground is required on this appliance. The free end of the green wire (the ground wire) must be connected to a suitable ground. This wire must remain grounded to the oven.

If cold water pipe is interrupted by plastic, non metallic gaskets, union connections or other insulating materials, DO NOT use for grounding.

DO NOT ground to a gas pipe.

DO NOT have a fuse in the NEUTRAL or GROUNDING circuit. A fuse in the NEUTRAL or GROUNDING circuit could result in an electrical shock.

Check with a qualified electrician if you are in doubt as to whether the appliance is properly grounded.

Failure to do so could result in death, fire or electric shock.

- The range is not equipped with a power cord. The range can be fitted with a 3-wire NEMA 10-50R or 4-wire NEMA 14-50R type SRDT or ST (as required) power cord rated at 250-volt AC minimum, 50 amp, with 3 open-end spade lug connectors with upturned ends or closed loop connectors and marked for use with ranges.
- A UL listed strain relief must be attached to the range to hold the power cord.
- Do not use an aluminum wire receptacle with copper-wired power cord and plug (or vice versa). The proper wiring and receptacle are a copper-wired power cord with a copper-wired receptacle.
- The electrical outlet should be located so that the power cord is accessible when the range is in the installed position.

### ELECTRICAL REQUIREMENTS - CANADA ONLY



# WARNING



### Electrical Shock Hazard

Disconnect power before servicing. Plug into a grounded outlet. Do not use an extension cord. Failure to do so can result in death, fire, or electrical shock.

If codes permit and a separate ground wire is used, it is recommended that a qualified electrical installer determine that the ground path is adequate and wire gauge are in accordance with local codes.

## Electrical Requirements (continued)

---

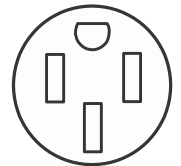
Be sure that the electrical connection and wire size are adequate and in conformance with CSA Standard C22.1, Canadian Electrical Code, Part 1 - latest edition, and all local codes and ordinances.

A copy of the above code standards can be obtained from:

Canadian Standards Association  
178 Rexdale Blvd.  
Toronto, ON M9W 1R3  
CANADA

- Check with a qualified electrical installer if you are not sure the range is properly grounded.
- This range is equipped with a CSA International Certified Power Cord intended to be plugged into a standard 4-wire receptacle (NEMA type 14-50R) wall receptacle. Be sure the wall receptacle is within reach of range's final location.
- Do not use an extension cord.

**IMPORTANT:** This appliance shall be installed only by authorized persons and in accordance with the manufacturer's installation instructions, local gas fitting regulations, municipal building codes, electrical wiring regulations, local water supply regulations.



## Step 1: Unpack Range

---



### Electrical Weight Hazard

Use two or more people to move and install the range. Failure to do so can result in back or other injury.

1. Remove shipping materials, tape, and film from the range. Keep cardboard bottom under range. Do not dispose of anything until the installation is complete.
2. Remove oven racks and parts package from oven and shipping materials.
3. To remove cardboard bottom, first take four cardboard corners from the carton. Stack one cardboard corner on top of another. Repeat with the other two corners. Place them lengthwise on the floor behind the range to support the range when it is laid on its back.
4. Using two or more people, firmly grasp the range and gently lay it on its back on the cardboard corners.
5. Remove cardboard bottom.

### NOTES:

- The leveling legs can be adjusted while the range is on its back.
- To place range back up into a standing position, put a sheet of cardboard or hardboard on the floor in front of range to protect the flooring. Using two or more people, stand range back up onto the cardboard or hardboard.

## Step 2: Install Anti-Tip Bracket

---

**NOTE:** An anti-tip bracket kit is provided with the range.

**WARNING:** Tip Over Hazard

- A child or adult can tip the range and be killed.
- Connect anti-tip bracket to rear range foot.
- Reconnect the anti-tip bracket if the range is moved.
- Failure to follow these instructions can result in death or serious burns to children and adults.

## Step 2: Install Anti-Tip Bracket (continued)

**IMPORTANT:** DO NOT completely remove the rear leveling leg. The anti-tip bracket uses either the right-hand or left hand, rear leveling leg to secure the range to the floor.

### 1: Locate The Bracket

Determine the final location of the range before attempting to install the bracket.

A. Place the bracket on the floor with the back edge against the rear wall. If the range does not reach the rear wall, align the back edge of the bracket with the rear panel of the range in its final location.

NOTE: If bracket does not touch the rear wall, you **MUST** screw bracket to FLOOR .

B. Position the side of the bracket against either the left or right cabinet. If there is no adjacent cabinet, align the edge of the bracket with the side panel of the range in its final location. If the countertop overhangs the cabinet, offset the bracket from the cabinet by the amount of overhang.

C. Mark the location for the pair of holes to be used (see illustration below).

NOTE: For FLOOR installation use either Loc A or B. For REAR WALL installation use Loc C.

### 2: Secure The Bracket

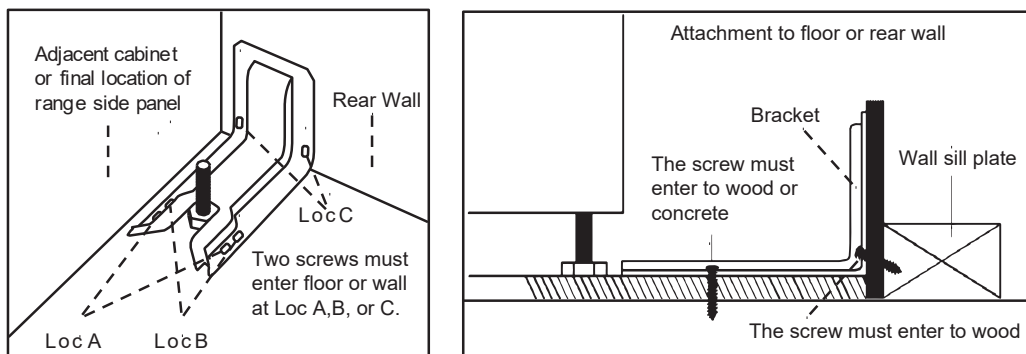
The bracket must be screwed to either the FLOOR or REAR WALL.

FLOOR Installation:

- Wood floor: Use the screws provided to secure the bracket using the pair of marked holes (either Loc A or B).
- Concrete floor: Using a concrete bit, drill a 5/32" pilot hole 2" deep into the concrete at the center of each of the marked holes (either Loc A or B). Use the screws provided to secure the bracket into the floor.

REAR WALL Installation:

Use the 2 screws provided to secure the bracket using the pair of marked holes at Loc C. The screws **MUST** enter a wood sill plate. If the wall contains any metal studs or similar materials, then the floor must be used.



### 3: Check The Bracket

After installing the bracket, slide the range into its final location. The rear leveling leg must be fully inserted into the ANTI-TIP bracket as shown in Step 1. To check if the bracket is installed and engaged properly, look underneath the range to see that the rear leveling leg is engaged in the bracket. On some models, the storage drawer or kick panel can be removed for easier inspection. If visual inspection is not possible, slide the range forward, confirm the anti-tip bracket is securely attached to the floor or wall, and slide the range back so the leveling leg is under the anti-tip bracket. If the range is pulled from the wall for any reason, always repeat this procedure to verify the range is properly secured by the anti-tip bracket.

NOTE: The anti-tip bracket must be **PROPERLY INSTALLED**, and the rear leveling leg must be **FULLY ENGAGED** into the bracket to prevent the range from tipping. **NEVER** remove the leveling legs. This will prevent the range from being secured to the ANTI-TIP bracket properly.

### Step 3: Make Electrical Connection

After reading the requirements for each Electrical Connection method, follow the instructions specific to your situation.

POWER CORD - U.S.A. ONLY



## WARNING

### Electrical Shock Hazard

Disconnect power before servicing.

Use a new 50-amp UL listed or CSA certified power supply cord. Plug into a grounded outlet.

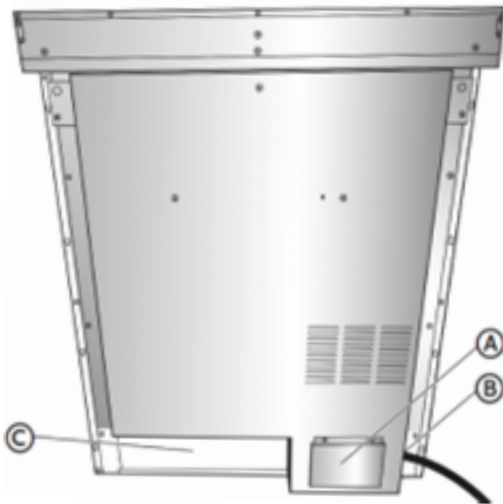
Do not use an extension cord.

Failure to do so can result in death, fire, or electrical shock.

### 3 Wire connection: power supply cord

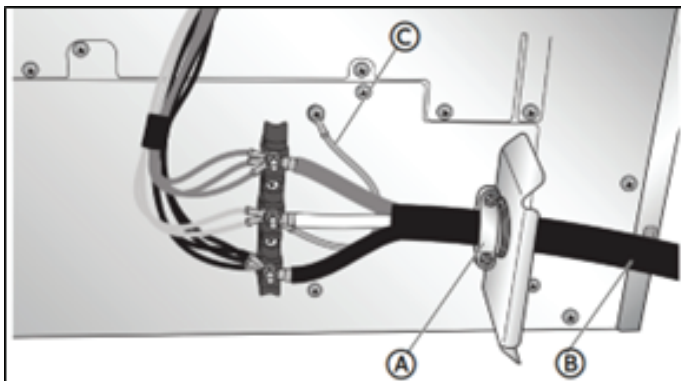
**IMPORTANT:** Use this method only if local codes permit connecting chassis ground conductor to neutral wire of power supply cord.

1. Disconnect power.
2. Remove the access panel located on the bottom right-hand side of the back panel to uncover the electrical terminal block



A	Access Panel to Electrical Supply Connection
B	Power Cord Opening
C	Recessed Area

3. Install a UL listed strain relief (not provided) to the power cord opening in the bracket, and then completely tighten the strain relief nut.
4. Thread the end of the power cord through the strain relief.  
**NOTE:** Allow enough slack to connect the wires to the terminal block.



A	UL Listed Strain Relief
B	Power Cord
C	Jumper Wire

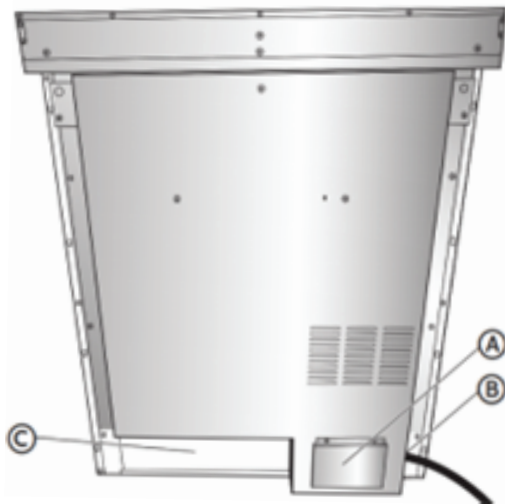
### Step 3: Make Electrical Connection (continued)

- Using a 5/16" nut driver and one of the -0-32 hex nuts, connect the neutral (white) wire from the power cord to the center terminal block post along with the green jumper wire from the range.
- Using 10-32 hex nuts, connect the red and black wires from the power cord to the outer posts of the terminal block with the corresponding red and black wires from the range.
- Tighten the hex nuts completely, and then verify the connection.  
NOTE: For power supply cord replacement, use only a power cord rated at 250 volts minimum, 50-amps that is marked for use with nominal 1 3/8" (3.5 cm) diameter connection opening, with ring terminals and marked for use with ranges.
- Position the lower part of the strain relief under the power cord and tighten the strain relief screws.  
NOTE: Before tightening, make sure the strain relief is positioned over the cord and NOT the wires.
- Replace the electrical access panel.
- Plug range into grounded outlet.
- Tuck excess power cord into the recessed area of the back panel.

#### 4 Wire connection: power supply cord

**IMPORTANT:** Use this method for new branch-circuit installations (1996 NEC), mobile homes, recreational vehicles, or in an area where local codes prohibit grounding through the neutral.

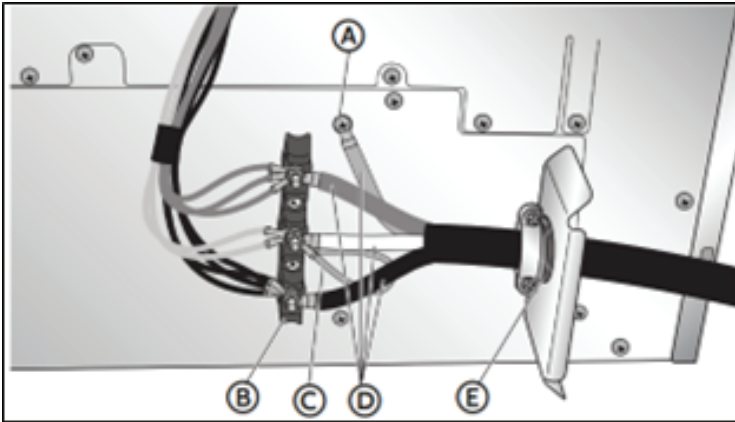
- Disconnect power.
- Remove the access panel located on the bottom right-hand side of the back panel to expose the electrical terminal block.



A	Access Panel to Electrical Supply Connection
B	Power Cord Opening
C	Recessed Area

- Install a UL listed strain relief to the power cord opening in the support bracket, and fully tighten the strain relief nut.
- Feed the power supply cord through the strain relief. Allow enough slack to easily attach the wiring to the terminal block.

### Step 3: Make Electrical Connection (continued)



A	Ground Screw
B	Terminal Block
C	Jumper Wire
D	Power Cord Wires
E	UL Listed Strain Relief

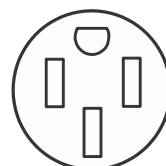
5. Remove the green jumper wire from under the ground screw and replace with the green wire from the power cord and tighten ground screw.
6. Loop the green jumper wire removed from the ground screw back onto its end that is fastened to the center post on the terminal block.
7. Use a 5/16" nut driver to connect the neutral (white) wire to the center terminal block post with one of the 10-32 hex nuts.
8. Using 10-32 hex nuts, connect the red and black wires from the power cord to the outer posts of the terminal block with the corresponding red and black wires from the range.
9. Tighten the hex nuts completely, and then verify the connection.  
NOTE: For power supply cord replacement, use only a power cord rated at 250 volts minimum, 50-amps that is marked for use with nominal 1 3/8" (3.5 cm) diameter connection opening, with ring terminals and marked for use with ranges.
10. Position the lower part of the strain relief under the power cord and tighten the strain relief screws.  
NOTE Before tightening, make sure the strain relief is positioned over the cord and NOT the wires.
11. Replace the electrical access panel.
12. Plug range into grounded outlet.
13. Tuck excess power cord into the recessed area of the back panel.



#### Electrical Shock Hazard

Plug into a grounded outlet.  
Do not use an extension cord.  
Failure to do so can result in death, fire, or electrical shock.

1. Plug into a standard 14-50R grounded wall receptacle
2. Go to STEP 4 - INSTALL RANGE 3



## Step 3: Make Electrical Connection (continued)

### Direct Wire U.S.A Only



#### Electrical Shock Hazard

Disconnect power before servicing.

Improper connection of aluminum house wiring and copper appliance leads can result in an electrical hazard or fire. If the home has aluminum wiring, only use connectors designed and UL listed for joining copper to aluminum and precisely follow the manufacturer's recommended procedure. Aluminum-to-Copper connections must conform with local codes.

Use 8-gauge copper or 6-gauge aluminum wire. Electrically ground range.

Failure to do so can result in death, fire or electrical shock.

Be sure your appliance is properly installed and grounded by a qualified technician. Ask your dealer to recommend a qualified technician or an authorized repair service.

- A circuit breaker is recommended.
- The range can be connected directly to the circuit breaker box (or fused disconnect) through flexible or nonmetallic sheathed, copper or aluminum cable.
- Allow at least 6 ft (1.8 m) of slack in the line so that the range can be moved if servicing is ever necessary.
- A UL listed conduit connector must be provided at each end of the power supply cable (at the range and at the junction box).
- Wire sizes and connections must conform with the rating of the range.

The tech sheet and wiring diagram are included with the range. This appliance is manufactured with the chassis connected to the neutral by a green ground jumper wire. After making sure that the power has been turned off, connect the flexible conduit from the oven to the junction box using a UL listed conduit connector. The Grounded Neutral and Ungrounded Neutral Graphics on the following pages and the instructions provided, present the most common way of connecting the ovens. Your local codes and ordinances, of course, take precedence over these instructions. Complete electrical connections according to local codes and ordinances.

### 3-Wire Connection (Grounded Neutral)



#### Electrical Shock Hazard

Grounding through the neutral conductor is prohibited for new branch-circuit installations (1996 NEC); mobile homes; and recreational vehicles, or in an area where local codes prohibit grounding through the neutral conductor. For installations where grounding through the neutral conductor is prohibited, see the Ungrounded Neutral graphic.

Use grounding terminal or lead to ground unit.

Connect neutral terminal or lead to branch circuit neutral in usual manner.

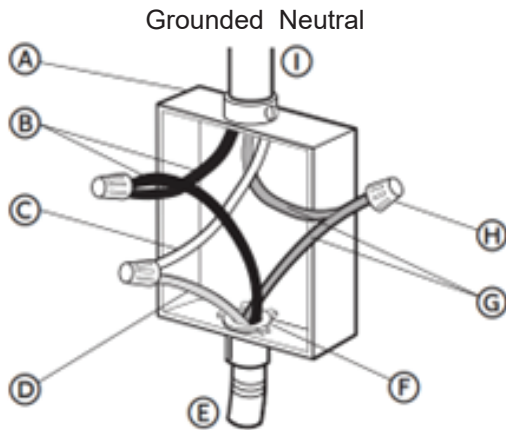
Failure to do so could result in death, fire or electric shock.

### Step 3: Make Electrical Connection (continued)

Connect to the House Electrical Supply

**IMPORTANT:** Use the 3-wire cable from home power supply where local codes permit a 3-wire connection.

1. Disconnect power.



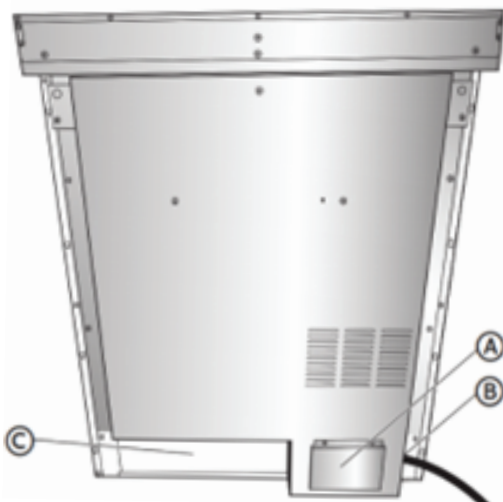
A	Junction box
B	Black Wires
C	Neutral (White) Wire
D	Ground (Green or Bare) Wire
E	Cable from Range
F	UL Listed Conduit Connector
G	Red Wires
H	UL Listed Wire Connectors
I	House Electrical Supply

2. Connect the 2 black wires together using a UL listed wire connector.
3. Connect the neutral (white) wire and the ground (green or bare) wire (of the range cable) using a UL listed wire connector.
4. Connect the 2 red wires together using a UL listed wire connector.
5. Install junction box cover.

#### Connect To The Range

**IMPORTANT:** Use this method only if local codes permit connecting chassis ground conductor to neutral wire of power supply cord.

1. Feed the electric cable wires through the flexible metal conduit.  
NOTE: Allow enough slack to easily attach the wires to the terminal block.
2. Remove the access panel located on the bottom right-hand side of the back panel to uncover the electrical terminal block.

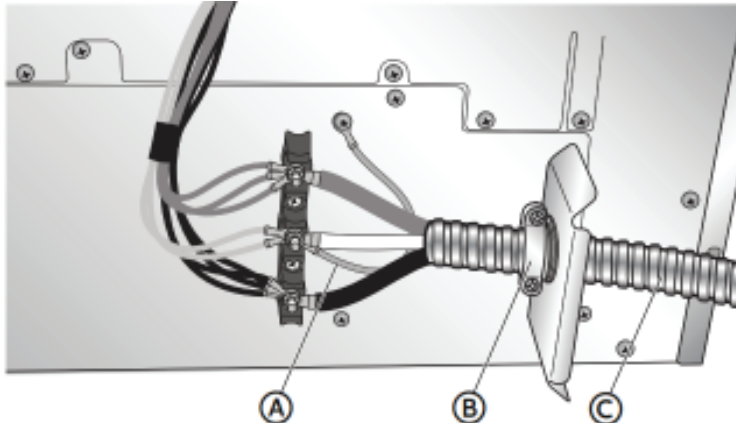


A	Electrical Access Panel
B	Conduit Opening
C	Recessed Area



### Step 3: Make Electrical Connection (continued)

3. Install a UL listed strain relief to the flexible metal conduit opening in the support bracket, and fully tighten the strain relief nut.
4. Feed the flexible metal conduit through the strain relief.  
NOTE: Allow enough slack to easily attach the wiring to the terminal block.



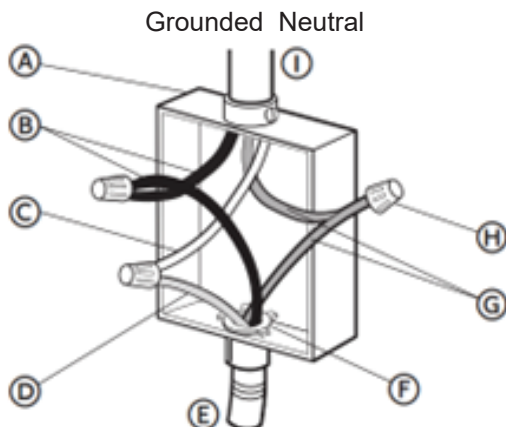
A	Jumper Wire
B	UL Listed Strain Relief
C	Conduit

5. Using a 5/16" nut driver and one of the 10-32 hex nuts, connect the ground (green or bare) wire from the flexible metal conduit to the center terminal block post along with the green jumper wire from the range.
6. Using 10-32 hex nuts, connect the red and black wires from the power cord to the outer posts of the terminal block with the corresponding red and black wires from the range.
7. Tighten the hex nuts completely, and then verify the connection.
8. Position the lower part of the strain relief under the flexible metal conduit and tighten the strain relief screws.  
NOTE: Before tightening, make sure the strain relief is positioned over the flexible metal conduit and NOT the wires.
9. Replace the electrical access panel.
10. Tuck excess conduit into the recessed area of the back panel.

#### 4-WIRE CONNECTION (UNGROUNDING NEUTRAL)

Connect To The House Electrical Supply - U.s.a. Only

IMPORTANT: Use the 4-wire cable from home power supply in the U.S. where local codes do not allow grounding through neutral, new branch circuit installations (199e NEC), mobile homes and recreational vehicles, new construction and in Canada.



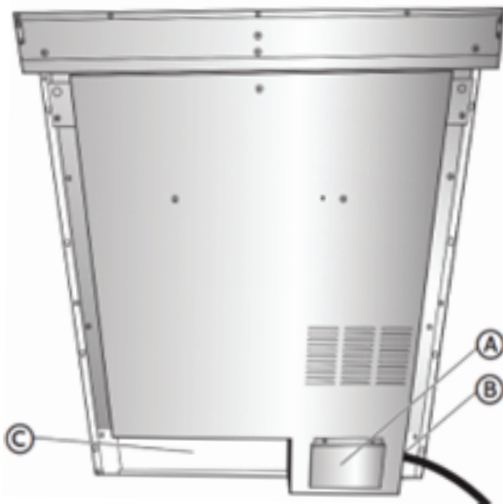
A	Junction box
B	Black Wires
C	Red Wire
D	Cable from Range
E	UL listed or CSA Approved Conduit Connector
F	Ground (Green or Bare) Wires
G	UL Listed Wire Connectors
H	Neutral (White) Wires
I	House Electrical Supply

### Step 3: Make Electrical Connection (continued)

#### Connect to the Range

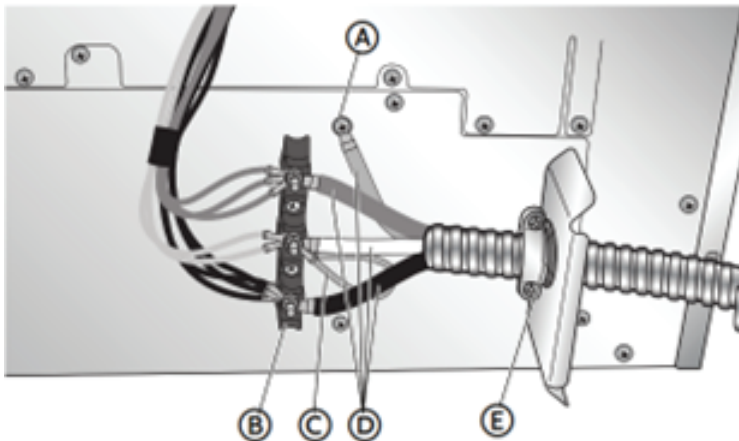
**IMPORTANT:** Use this method for new branch-circuit installations (1996 NEC), mobile homes, recreational vehicles, or in an area where local codes prohibit grounding through neutral.

1. Feed the electric cable wires through the flexible metal conduit.  
NOTE: Allow enough slack to easily attach the wires to the terminal block.
2. Remove the access panel located on the bottom right-hand side of the back panel to expose the electrical terminal block.



A	Electrical Access Panel
B	Conduit Opening
C	Recessed Area

3. Install a UL listed strain relief to the flexible metal conduit opening in the support bracket, and fully tighten the strain relief nut.
4. Feed the flexible metal conduit through the strain relief. Allow enough slack to easily attach the wiring to the terminal block.



A	Ground Screw
B	Terminal Block
C	Jumper Wire
D	Electrical Cable Wires
E	UL Listed Strain Relief

5. Remove the green jumper wire from under the ground screw and replace with the green wire from the flexible metal conduit and tighten ground screw.
6. Loop the green jumper wire removed from the ground screw back onto its end that is fastened to the center post on the terminal block.
7. Use a 5/16" nut driver to connect the neutral (white) wire to the center terminal block post with one of the 10-32 hex nuts.

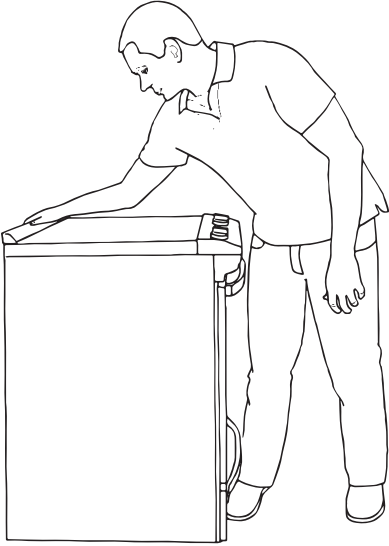
### Step 3: Make Electrical Connection (continued)

---

- Using 10-32 hex nuts, connect the red and black wires from the power cord to the outer posts of the terminal block with the corresponding red and black wires from the range.
- Tighten the hex nuts completely, and then verify the connection.
- Position the lower part of the strain relief under the flexible metal conduit and tighten the strain relief screws.  
NOTE: Before tightening, make sure the strain relief is positioned over the flexible metal conduit and NOT the wires.
- Replace the electrical access panel.
- Tuck excess conduit into the recessed area of the back panel.

### Step 4: Install Range

---



**IMPORTANT:** If the range is moved to adjust the leveling legs, make sure when you move the range back into its final location that the anti-tip bracket is engaged by repeating steps 1 through 9.

- Slide range into final location, making sure rear leveling leg slides into anti-tip bracket. Leave a 1" (2.5 cm) gap between the back of the range and the back wall.
- Place the outside of your foot against the bottom front to keep the range from moving, and then grasp the back of the range, as shown.
- Slowly attempt to tilt the range forward. If you encounter immediate resistance, the range foot is engaged in the anti-tip bracket. Go to Step 8.
- If the rear of the range lifts more than 1/2" (1.3 cm) off the floor without resistance, stop tilting the range and lower it gently back to the floor. The range foot is not engaged in the anti-tip bracket.

**IMPORTANT:** If there is a snapping or popping sound when lifting the range, the range may not be fully engaged in the bracket. Check to see if there are obstructions keeping the range from sliding to the wall or keeping the range foot from sliding into the bracket.

Verify that the bracket is held securely in place by the mounting screws.

- Slide the range forward and verify that the anti-tip bracket is securely attached to the floor or wall.
- Slide range back so the rear range foot is inserted into the slot of the anti-tip bracket.
- Repeat steps 1 through 3 to ensure that the range foot is engaged in the anti-tip bracket. If the rear of the range lifts more than 1/2" (1.3 cm) off the floor without resistance, the anti-tip bracket may not be installed correctly. Do not operate the range without anti-tip bracket installed and engaged.
- Move the range into its final location. Check that the range is level by placing a level on the oven bottom.  
NOTE: The range must be level for optimum cooking and baking performance.
- If needed, use a wrench to adjust the height of the leveling legs until the range is level from side to side and front to back.

## **Step 5: Complete Installation**

---

1. Reconnect power to the circuit breaker or fuse box.
2. Turn on each element to check that it is heating correctly.
3. Turn on the oven to check that it is heating correctly.

NOTE: When the range has been on for 5 minutes, check for heat. If the range is cold, turn off the range and contact a qualified technician.

4. Check that the indicator lights on the control panel, and the interior oven lights illuminate correctly.

If the range does not operate correctly, check the following:

- Household fuse is intact and tight; or the circuit breaker has not tripped.
- Range is plugged into a grounded outlet.
- Electrical supply is connected.

Contact a qualified electrician to verify the electrical supply.



Customer Support: Call 1-866-231-8893 or email: [info@forno.ca](mailto:info@forno.ca)