



DISTINCT BY DESIGN™

Installation Instructions

Dishwasher Drawer

If you have questions, visit our website at: cafeappliances.com

BEFORE YOU BEGIN - Read these instructions completely and carefully.

⚠ WARNING

- To reduce the risk of electric shock, fire, or injury to persons, the installer must ensure that the dishwasher is completely enclosed at the time of installation.
- **FOR PERSONAL SAFETY:** Remove house fuse or open circuit breaker before beginning installation. Do not use an extension cord or adapter plug with this appliance.
- The improper connection of the equipment grounding conductor can result in a risk of electric shock. Check with a qualified electrician or service representative if you are in doubt that the appliance is properly grounded.
- If house wiring is not 2-wire with ground, a ground must be provided by the installer. When house wiring is aluminum, be sure to use UL-Listed anti-oxidant compound and aluminum-to-copper connectors.
- To reduce the risk of electric shock, fire, or injury to persons, the installer should check to ensure that wires are not pinched or damaged, the house wiring is attached to the dishwasher through a strain relief, and all electrical connections made at the time of install are contained inside of the terminal block cover.
- **For models equipped with power cord:** Do not modify the plug provided with the appliance; if it will not fit the outlet, have a proper outlet installed by a qualified technician.

⚠ CAUTION

While performing installations described in this booklet, gloves, safety glasses or goggles should be worn.

FOR YOUR SAFETY

Read and observe all **WARNINGS** and **CAUTIONS** shown throughout these instructions.

IMPORTANT – Observe all governing codes and ordinances.

- **Note to Installer** – Be sure to leave these instructions for the consumer's and local inspector's use.
- **Note to Consumer** – Keep these instructions with your Owner's Manual for future reference.
- **Skill Level** – Installation of this dishwasher requires basic mechanical, electrical and plumbing skills. **Proper installation is the responsibility of the installer. Product failure due to improper installation is not covered under the GE Appliances Warranty. See Warranty information.**
- **Completion Time – 1 to 3 Hours.** New installations require more time than replacement installations.

IMPORTANT – The dishwasher **MUST** be installed to allow for future removal from the enclosure if service is required.

Care should be exercised when the appliance is installed or removed, to reduce the likelihood of damage to the power supply cord.

If you received a damaged dishwasher, you should immediately contact your dealer or builder.

Your dishwasher is a water heating appliance.

**READ CAREFULLY
KEEP THESE INSTRUCTIONS**

Precauciones en Español

ANTES DE COMENZAR - Lea estas instrucciones en su totalidad y atentamente.

⚠️ ADVERTENCIA

- Para reducir el riesgo de descarga eléctrica, incendio o lesiones a personas, el instalador debe asegurarse de que el lavaplatos esté completamente cerrado en el momento de la instalación.
- **PARA SEGURIDAD PERSONAL:** Quite el fusible o abra el interruptor de circuitos antes de comenzar la instalación. No utilice un cable de extensión o un enchufe adaptador con este artefacto.
- La conexión inadecuada del conductor de conexión a tierra del equipamiento puede provocar un riesgo de descarga eléctrica. Consulte a un electricista calificado o representante de servicio técnico si tiene dudas sobre la correcta conexión a tierra del aparato.
- Si el cableado doméstico no cuenta con un cable de 2 hilos con conexión a tierra, un instalador debe realizar una conexión a tierra. Cuando el cableado doméstico es de aluminio, asegúrese de usar un compuesto antioxidante y conectores de aluminio a cobre aprobados por UL.
- Para reducir el riesgo de descarga eléctrica, incendio o lesiones a personas, el instalador deberá realizar un control para asegurar que los cables no estén pellizcados ni dañados, que el cableado del hogar esté conectado a la ficha de la caja de empalmes a través de un amortiguador de refuerzo, y que todas las conexiones eléctricas realizadas en el momento de la instalación (tuercas para cables) estén dentro de la tapa de la caja de empalmes.

⚠️ PRECAUCIÓN

Al realizar las instalaciones descritas en este folleto, se deben usar guantes, gafas de seguridad o gafas protectoras.

PARA SU SEGURIDAD

Lea y cumpla con todas las **ADVERTENCIAS** y **PRECAUCIONES** que figuran en estas instrucciones.

IMPORTANTE – Cumpla con todos los códigos y ordenanzas gubernamentales.

- **Nota para el Instalador** – Asegúrese de entregar estas instrucciones al consumidor y al inspector local.
- **Nota para el Consumidor** – Guarde estas instrucciones con su Manual del Propietario para referencia futura.
- **Nivel de habilidad** – La instalación de este lavavajillas requiere un nivel básico de habilidades mecánicas, eléctricas y de plomería. **La correcta instalación del producto es responsabilidad del instalador. Si se producen fallas en el producto debido a una instalación inadecuada, la Garantía del Producto de GE Appliances no cubrirá las mismas. Consulte la información de la Garantía.**
- **Tiempo de instalación – 1 y 3 Horas.** Las instalaciones nuevas requieren más tiempo que las instalaciones de reemplazo.

IMPORTANTE – El lavavajillas **DEBE** ser instalado para permitir el retiro futuro de su ubicación, si se requiere realizar el servicio técnico.

Se deberá tener cuidado cuando el electrodoméstico sea instalado o retirado, a fin de reducir la posibilidad de daños sobre el cable de suministro eléctrico.

Si el lavavajillas que recibió está dañado, se debería comunicar de inmediato con su vendedor o fabricante.

Su lavavajillas es un electrodoméstico donde se calienta agua.

**LEA DETENIDAMENTE
CONSERVE ESTAS INSTRUCCIONES**

Installation Preparation

DISHWASHER DRAWER INSTALLATION OVERVIEW

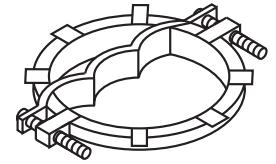
This video provides an overview of what is needed to install a Dishwasher Drawer.

It is intended as an overview only of the installation process and is not intended to be used as a guide on how to install the Dishwasher Drawer yourself.

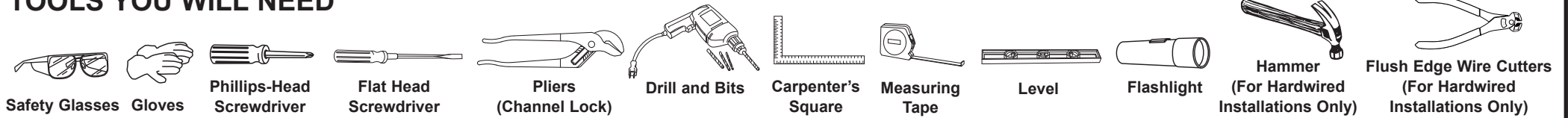


PART YOU WILL NEED

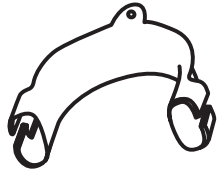
Strain Relief Clamp
(For Hardwired
Installations Only)



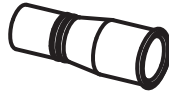
TOOLS YOU WILL NEED



PARTS SUPPLIED IN INSTALLATION PACKAGE



Drain hose support (1)



Drain hose joiner (1)



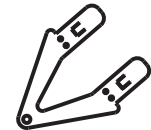
Wire clip (2)
(for securing drain hose joiner)



Clamp (1)
(for securing drain hose joiner)



Side mounting bracket kit (A and B) (2)
OPTIONAL



Top mounting brackets (2)
OPTIONAL



Phillips 5/8" (16 mm) screws (7)



1-1/2" (38 mm) bottom fixing screws & metal washers (2)



Rubber washer for inlet hose (1)
(comes already fitted)



Moisture protection tape (1)
(to prevent moisture damage to cabinetry)



Hexagonal socket for feet adjustment (2)
(long & short)

If the drain hoses supplied are not long enough to reach your services, you must use a Drain Hose Extension Kit **WD24X30798** which will extend the drain hoses by 11' 10" (3.6 m). The kit is available from **GEApplianceparts.com** or by phone at 877.959.8688 during normal business hours.

NOTE: Consider recycling options for your appliance packaging material.

Installation Preparation

PREPARE ELECTRICAL WIRING

⚠ WARNING

FOR PERSONAL SAFETY: Remove house fuse or open circuit breaker before beginning installation.

Do not use an extension cord or adapter plug with this appliance.

⚠ ADVERTENCIA

PARA SEGURIDAD PERSONAL: Quite el fusible o abra el interruptor de circuitos antes de comenzar la instalación. No utilice un cable de extensión o un enchufe adaptador con este artefacto.

ELECTRICAL REQUIREMENTS

Be sure that the electrical connection and wire size are adequate and in conformance with the National Electric Code, ANSI/NFPA 70 – latest edition, and all local codes and ordinances.

This appliance must have:

- 120V, 60Hz, AC-only, 15-ampere or 20-ampere, fused electrical supply.
- Wiring must be 2 wire with ground and rated for 75°C (167°F).
- If the electrical supply does not meet the above requirements, call a licensed electrician before proceeding.

It is recommended to have:

- A circuit breaker or time-delay fuse.
- A properly grounded individual branch circuit.

Grounding Instructions—Permanent Connection

This appliance must be connected to a grounded metal, permanent wiring system, or an equipment-grounding conductor must be run with the circuit conductors and be connected to the equipment-grounding terminal or lead on the appliance.

Grounding Instructions—Power Cord Models

This appliance must be grounded. In the event of a malfunction or breakdown, grounding will reduce the risk of electric shock by providing a path of least resistance for electric current. This appliance is equipped with a cord having an equipment-grounding conductor and a grounding plug. The plug must be plugged into an appropriate outlet that is installed and grounded in accordance with all local codes and ordinances.

⚠ WARNING

The improper connection of the equipment grounding conductor can result in a risk of electric shock. Check with a qualified electrician or service representative if you are in doubt that the appliance is properly grounded.

⚠ WARNING

For models equipped with power cord: Do not modify the plug provided with the appliance; if it will not fit the outlet, have a proper outlet installed by a qualified technician.

⚠ ADVERTENCIA

La conexión inadecuada del conductor de conexión a tierra del equipamiento puede provocar un riesgo de descarga eléctrica. Consulte a un electricista calificado o representante de servicio técnico si tiene dudas sobre la correcta conexión a tierra del aparato.

⚠ ADVERTENCIA

Con los modelos equipados con cable de corriente: No modifique el enchufe provisto con el electrodoméstico; si no coincide con el tomacorriente, solicite la instalación de un tomacorriente apropiado a un electricista calificado.

Installation Preparation

OPTIONAL - HARDWIRING PRIOR TO INSTALLATION

POWER CORD OR HARDWIRED OPTION

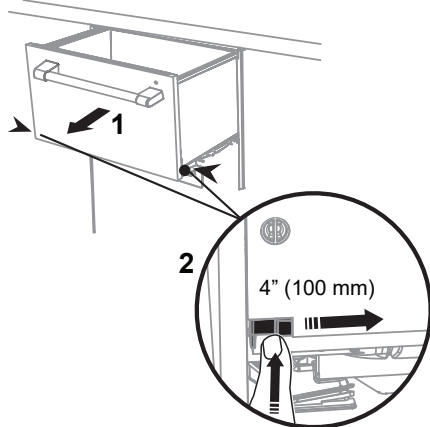
We recommend the use of the power cord. If using the power cord option, skip steps 1-5 and proceed to the **PRODUCT DIMENSIONS** section of this Installation Instructions.

If however you elect to hardwire the dishwasher drawer, follow steps 1-5 and then continue with the rest of the Installation Instructions.

1 REMOVE THE DISHWASHER DRAWER (Skip step if using the power cord.)

In preparation of removing the dishwasher drawer, so as to not strain its rear connectors, place a sturdy box near the installation site to rest the drawer on after it is removed. Cover the box with a towel to provide a protective surface for the drawer to rest on.

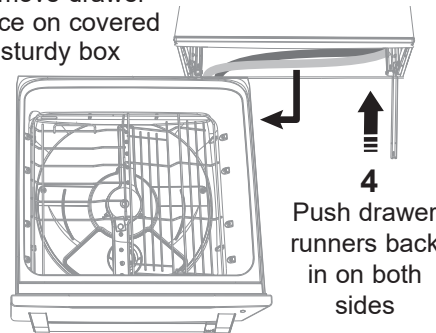
Pull the dishwasher drawer out until it stops.



Press the release tabs in on both sides and push them back to release drawer from its runners.

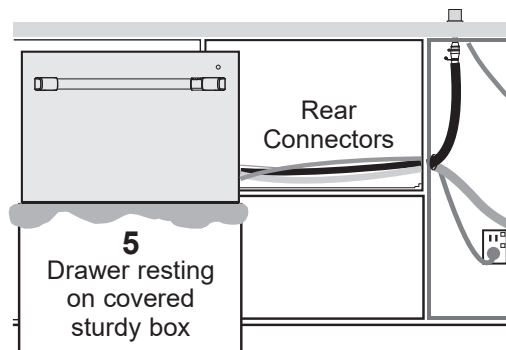
Lift the drawer off its runners and carefully place it **upright** on the covered sturdy box you had previously positioned nearby.

3 Remove drawer*
Place on covered sturdy box



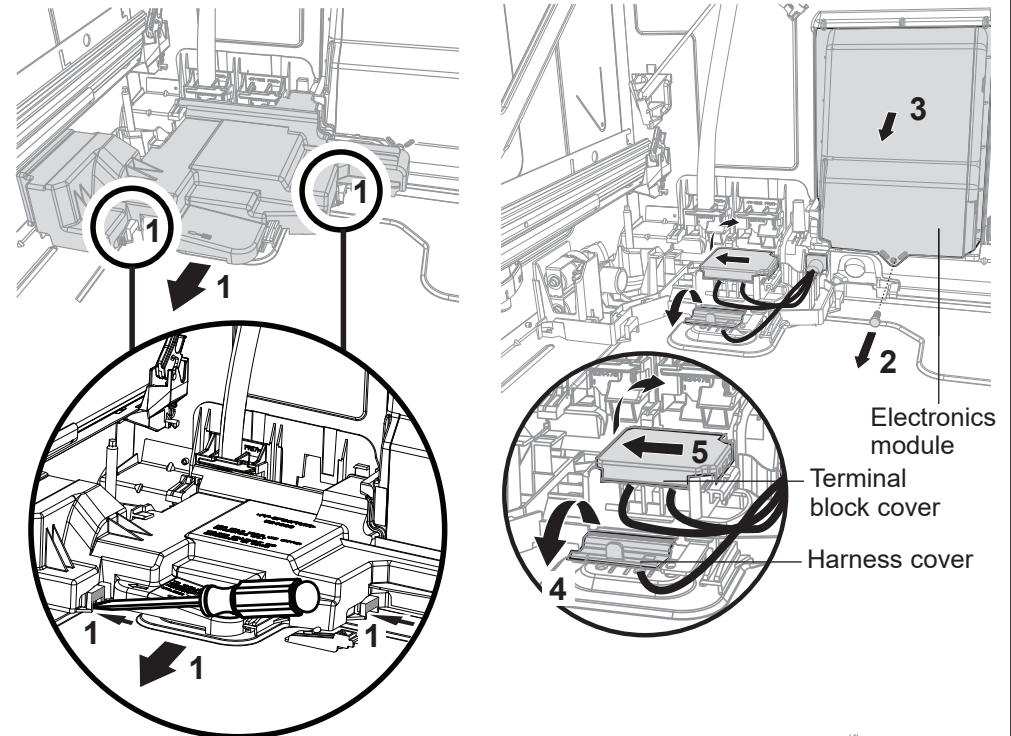
4 Push drawer runners back in on both sides

*Do not move or rest the drawer too far to prevent strain on its rear connectors.

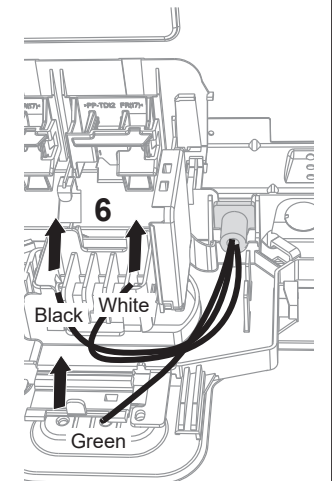


5 Drawer resting on covered sturdy box

2 REMOVE THE ACCESS COVERS (Skip step if using the power cord.)



- 1 With a flat-bladed screwdriver, press in **both** clips and pull to slide out the access cover.
- 2 Unscrew the electronics module cover.
- 3 Carefully pull out the electronics module and rest on the chassis base out of the way.
- 4 With a screwdriver, unclip the plastic harness cover and hinge open.
- 5 Slide the terminal block cover sideways to unlock and hinge open to access the terminal block.
NOTE: Only unscrew the white and black terminals two turns. They are fork terminals and do not require the screws to be removed. The green wire requires the screw be removed. It is a ring terminal. Remove the center Ground screw.
- 6 Unscrew the black, white and green wires.

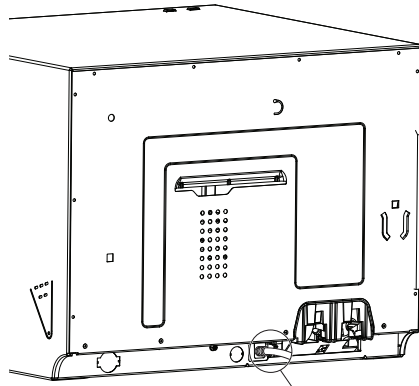


Installation Preparation

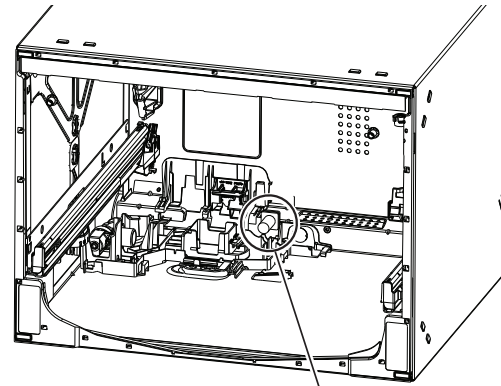
OPTIONAL - HARDWIRING PRIOR TO INSTALLATION - CONTINUED

3 REMOVE THE POWER CORD AND EXTERNAL KNOCKOUT (Skip step if using the power cord.)

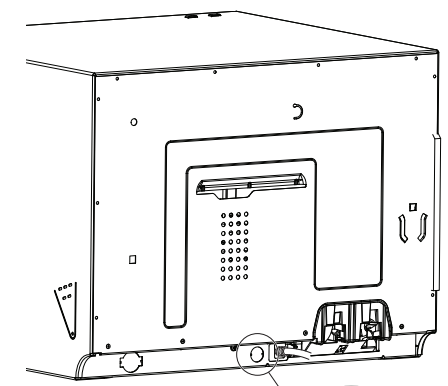
- 1 From the outside, cut the power cord collar off flush at its base using wire cutters. Discard the exterior power cord.
- 2 From the inside, remove the power cord/strain relief from its U-shaped retainer slot in the base pan. Discard the interior power cord/strain relief.
- 3 From the outside, knock out the external knockout in the base pan using a hammer and screwdriver.



1
Cut power cord collar off flush at its base



2
Remove power cord/strain relief



3
Remove Knockout

Installation Preparation

OPTIONAL - HARDWIRING PRIOR TO INSTALLATION - CONTINUED

4 TERMINATE HOUSE WIRING AS SHOWN AND REPLACE MODULE AND COVERS (Skip step if using the power cord.)

⚠ WARNING

The improper connection of the equipment grounding conductor can result in a risk of electric shock. Check with a qualified electrician or service representative if you are in doubt that the appliance is properly grounded.

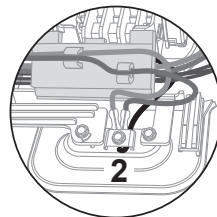
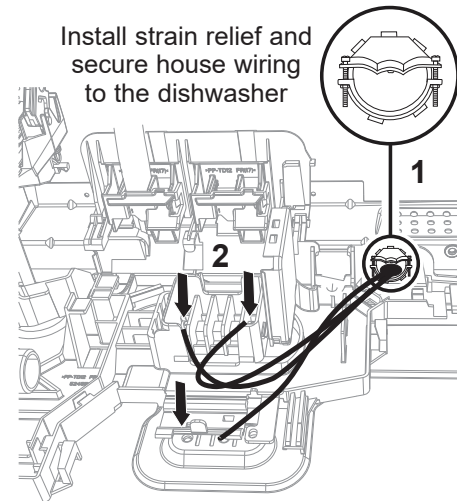
If house wiring is not 2-wire with ground, a ground must be provided by the installer. When house wiring is aluminum, be sure to use UL-Listed anti-oxidant compound and aluminum-to-copper connectors.

⚠ ADVERTENCIA

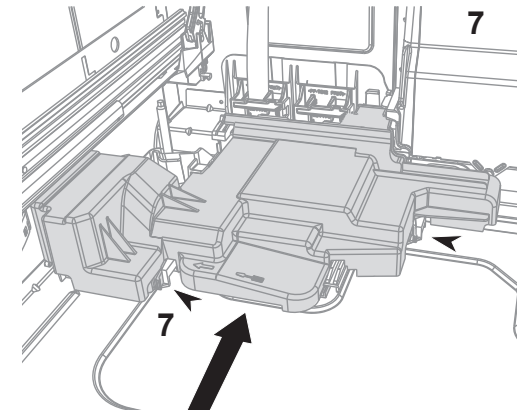
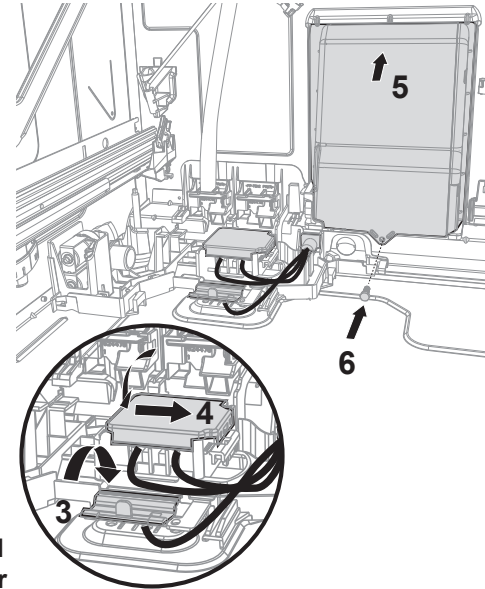
La conexión incorrecta del conductor de conexión a tierra del equipo puede provocar un riesgo de descarga eléctrica. Consulte a un electricista calificado o a un representante de servicio si tiene dudas sobre si el dispositivo está correctamente conectado a tierra.

Si el cableado doméstico no cuenta con un cable de 2 hilos con conexión a tierra, un instalador debe realizar una conexión a tierra. Cuando el cableado doméstico es de aluminio, asegúrese de usar un compuesto antioxidante y conectores de aluminio a cobre aprobados or UL.

- 1 Fit a suitable strain relief cable clamp for the conduit through the metal knockout.
Ensure wiring is routed through or under housing ribs.
 - 2 Screw down the black, white and green wires correctly.
 - 3 Push the plastic harness cover back over. It should clip back into place.
 - 4 Fold down and slide back the terminal block cover.
 - 5 Refit the electronics module back into position, being careful of wiring.
 - 6 Replace the screw securing the electronics module.
 - 7 Slide the access cover back, ensuring the 2 clips shown are fully locked in place.
- NOTE:** Use copper conductors only.



IMPORTANT: Ensure house wires are routed **UNDERNEATH** all other harness wiring from the electronics module.



⚠ WARNING

The improper connection of the grounding conductors can result in a risk of electric shock. Both ring terminals must be replaced and the Ground (green or bare) wire clamped under the Green Ground Screw.

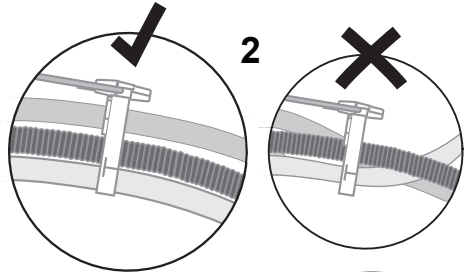
⚠ ADVERTENCIA

La conexión incorrecta del conductor de conexión a tierra del equipo puede provocar un riesgo de descarga eléctrica. Ambas terminales de anillo deben reemplazarse y el cable de tierra (verde o descubierto) debe quedar sujetado debajo del tornillo de conexión a tierra verde.

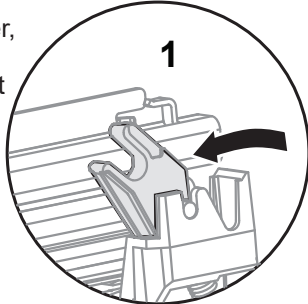
Installation Preparation

OPTIONAL - HARDWIRING PRIOR TO INSTALLATION - CONTINUED

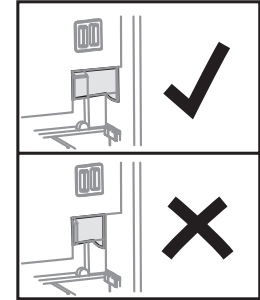
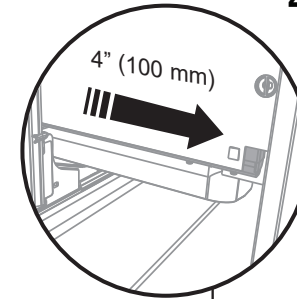
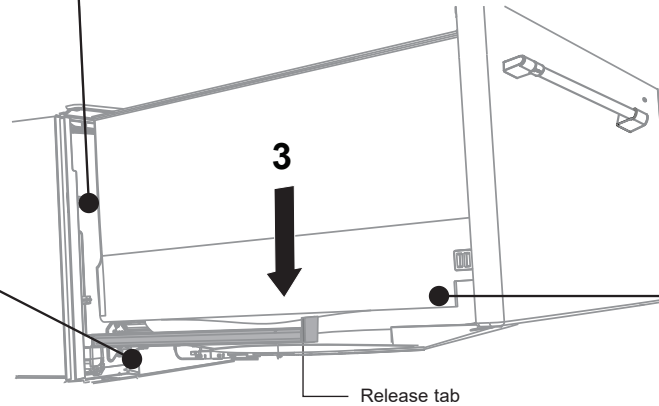
5 REFIT THE DRAWER ONTO THE RUNNERS AND CLOSE (Skip step if using the power cord.)



Before refitting the drawer, ensure the hoses are not twisted and the latches at the rear of each drawer runner are facing forward.



Lift or rotate counter-clockwise the drawer back onto the drawer runners on either side.

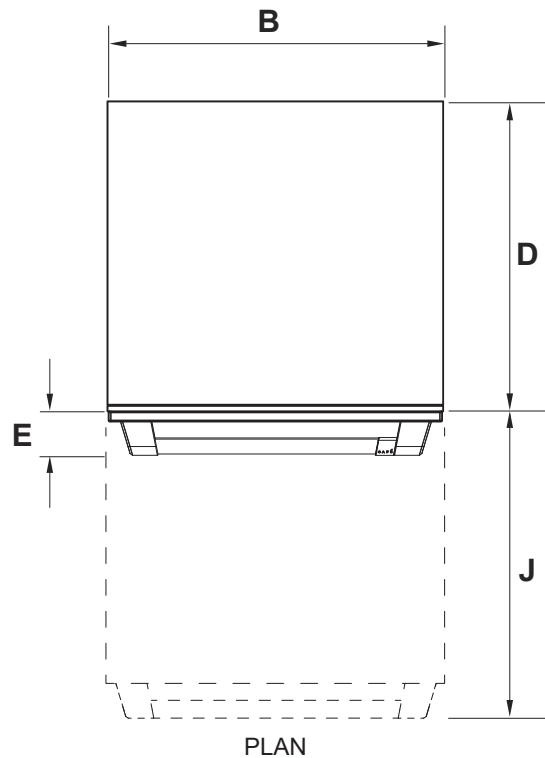
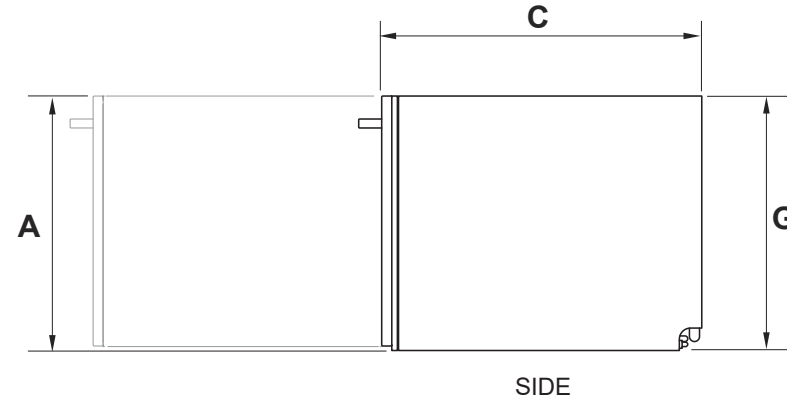
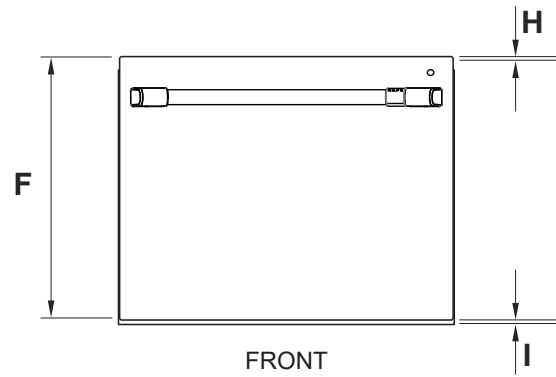


Pull the release tabs forward on both sides 4" (100 mm). Ensure the tabs are fully pulled forward and click into place.

Notes

Installation Preparation

PRODUCT DIMENSIONS



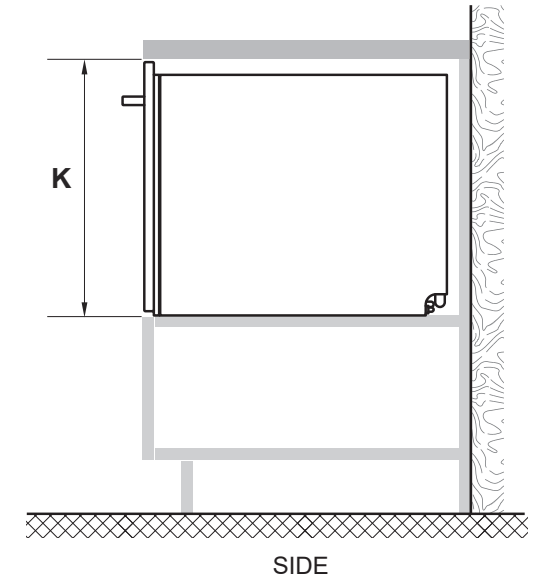
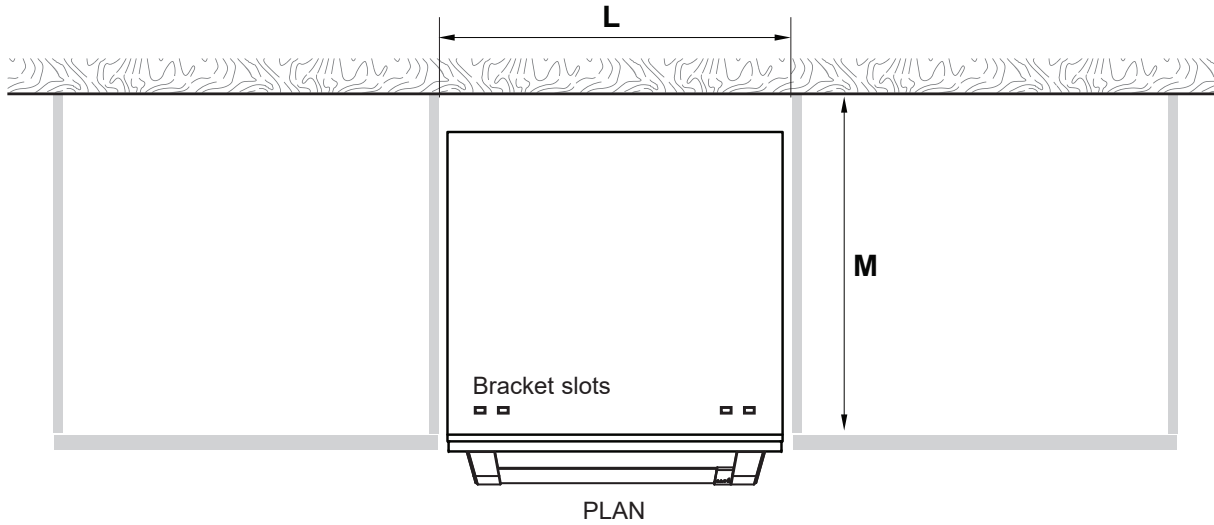
PRODUCT DIMENSIONS

	INCHES (MM)
A Overall height of product*	17-13/16" (453)
B Overall width of product	23-9/16" (599)
C Overall depth of product (excluding handle)	22-9/16" (573)
D Depth of chassis (to back of front drawer panel)	21-3/4" (553)
E Depth of drawer front panel (including handle)	3-7/16" (88)
F Height of drawer front panel	17-3/8" (442)
G Height of chassis ¹	17-13/16" (453)
H Height from top of drawer front panel to top of chassis	1/8" (3)
I Ventilation gap between drawer front panels	5/16" (8)
J Maximum extension of drawer	22-3/4" (578)

*Includes 1/16" (2 mm) high bracket slots

Installation Preparation

CABINETRY DIMENSIONS

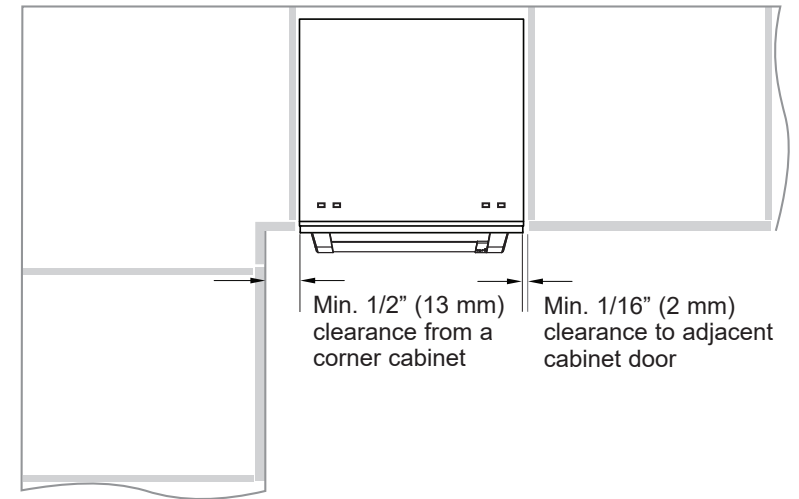


CABINETRY DIMENSIONS

INCHES (MM)

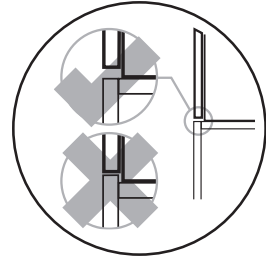
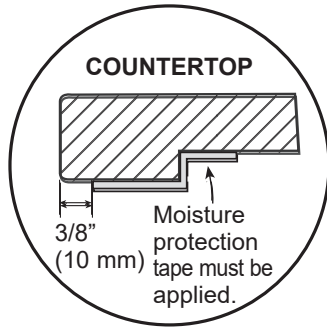
K	Inside height of cavity*	Min. 17-15/16" (456)
L	Inside width of cavity	23-5/8" (600)
M	Inside depth of cavity	Min. 22-13/16" (580)

Minimum clearances from adjacent cabinetry



Installation Preparation

CAVITY PREPARATION

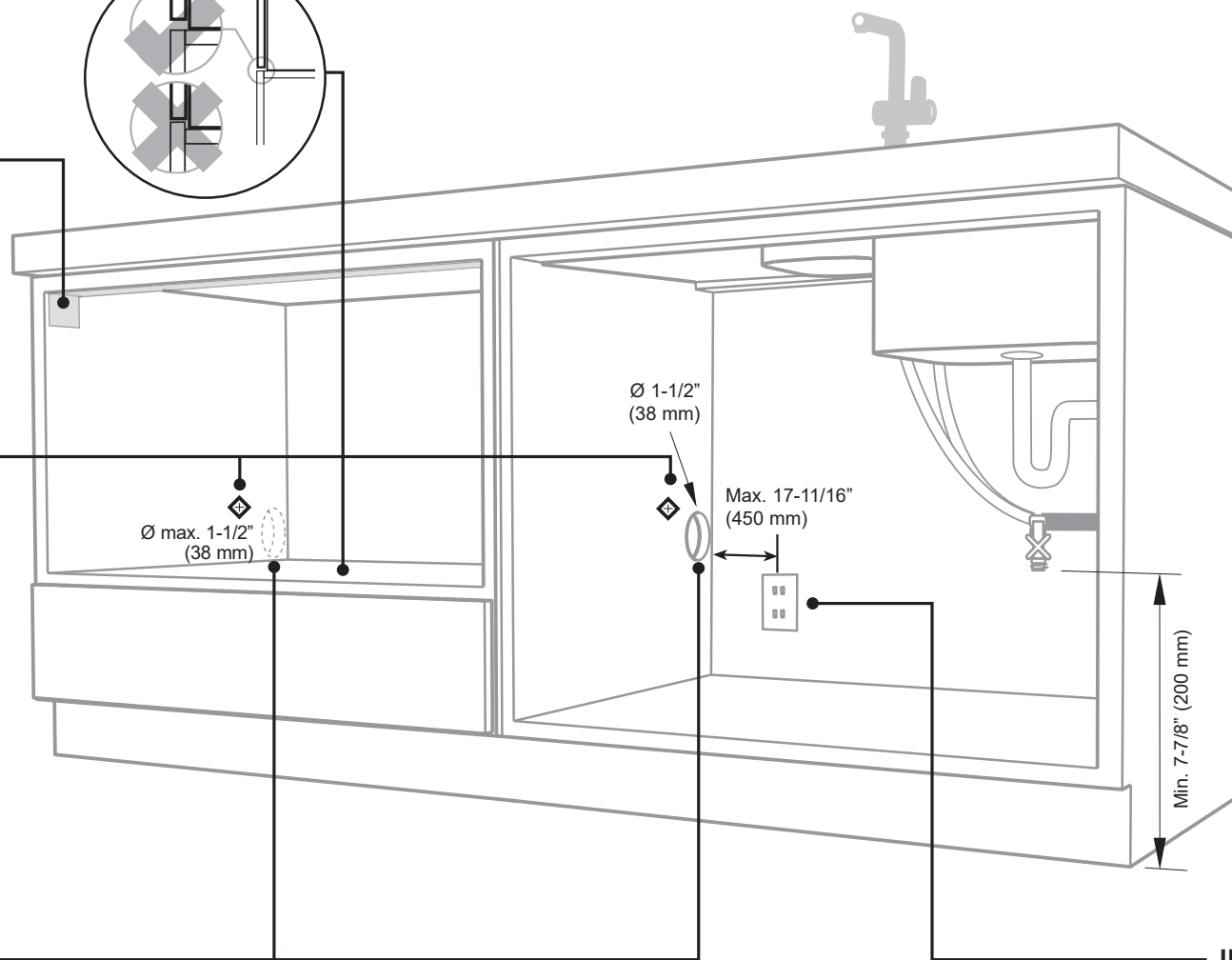
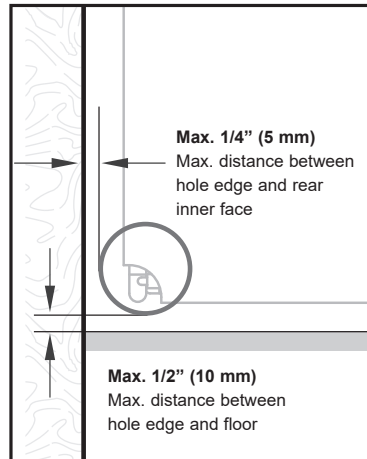


These marks indicate formed bracket screw locations, if securing by drawer removal.

If there is no side partition, you can construct timber bracing as something to secure into.

IMPORTANT

Incorrect placement of the hole will result in damage to hoses.



Water Connection

Recommended **HOT** (Maximum 140°F/60°C).
Supplied hose to suit 3/8" (9 mm) male compression fitting.

Water Pressure

Max. 1 MPa (145 psi)
Min. 0.03 MPa (4.3 psi)

Service Hole

Can be located on either side of dishwasher, close to the rear face and the shelf, as illustrated.

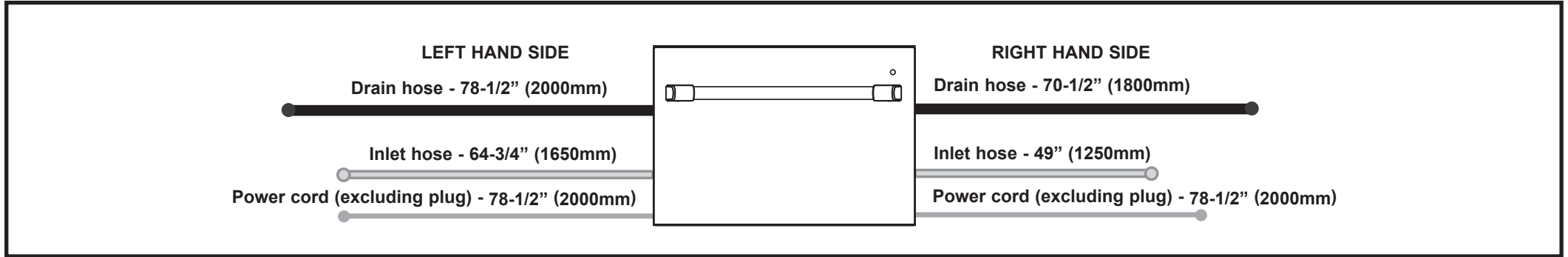
- If the hole is through wood, make sure its edges are smooth and rounded.

IMPORTANT

The power outlet must be located in a cabinet adjacent to the dishwasher cavity.
110-120 VAC max. 15 A

Installation Preparation

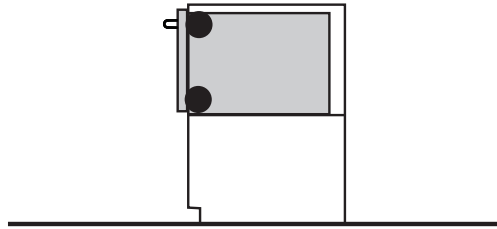
MAXIMUM DISTANCE OF HOSES AND CORD FROM CHASSIS EDGE



Installation Instructions

CHOOSE WHICH INSTALLATION METHOD A OR B (RECOMMENDED) IS MOST SUITABLE FOR YOUR CABINETRY

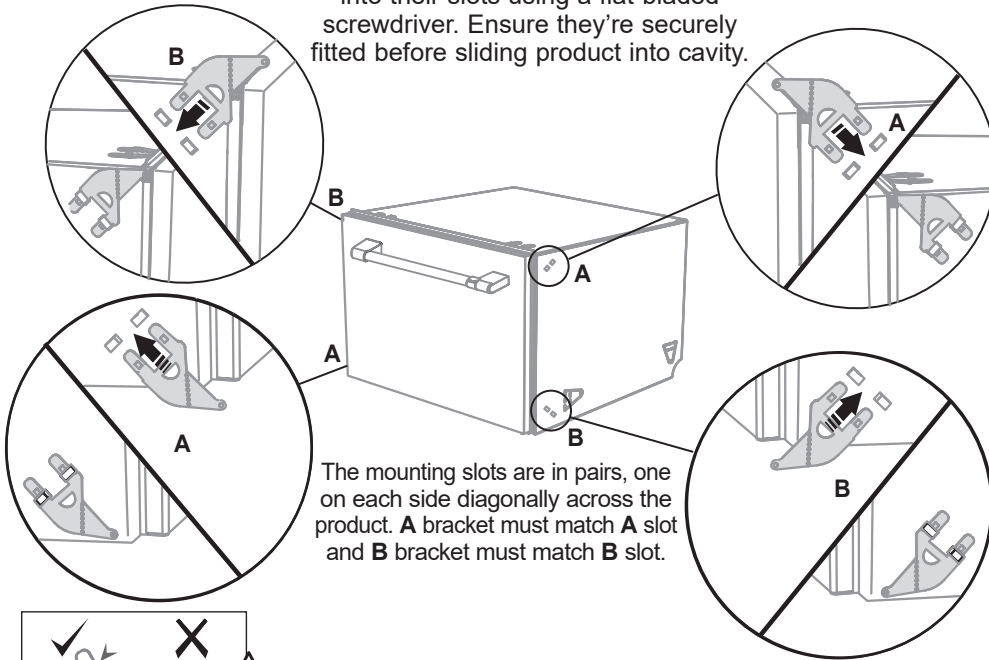
A METHOD (A) - SECURE WITHOUT DISHWASHER DRAWER REMOVAL (FRAMELESS CABINETRY ONLY)



OPTION A

A1 ATTACH SIDE MOUNTING BRACKETS

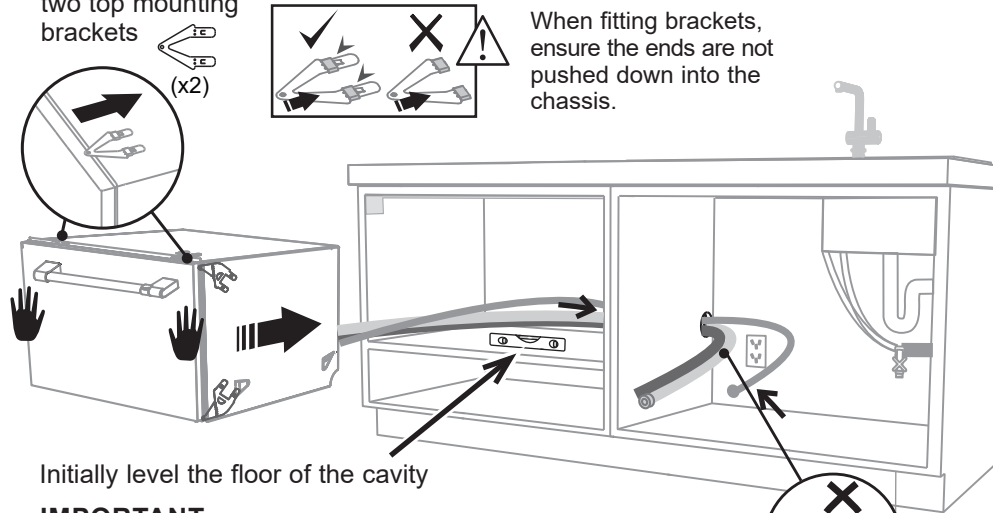
Clip all four side mounting brackets into their slots using a flat-bladed screwdriver. Ensure they're securely fitted before sliding product into cavity.



The mounting slots are in pairs, one on each side diagonally across the product. A bracket must match A slot and B bracket must match B slot.

A2 PULL HOSES THROUGH AND PUSH UNIT INTO THE CAVITY

Optional - Attach the two top mounting brackets



When fitting brackets, ensure the ends are not pushed down into the chassis.

Initially level the floor of the cavity

IMPORTANT

If product cannot be pushed in far enough, pull it out again and rearrange hoses and cord.

Do not use excessive force, as doing so may pinch the hoses and lead to incorrect operation.

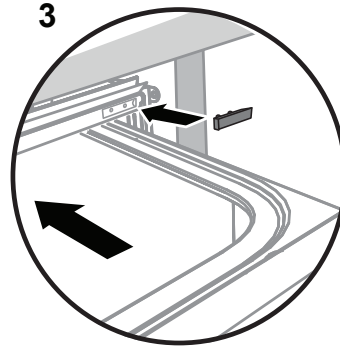
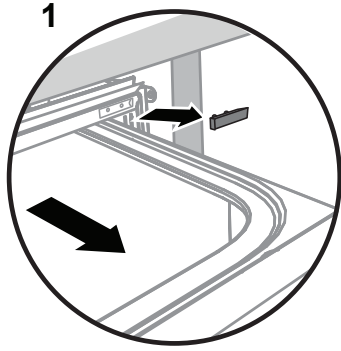
As you push product in, pull through hoses and cord, ensuring they don't get kinked or twisted.

Installation Instructions

OPTION A (CONTINUED)

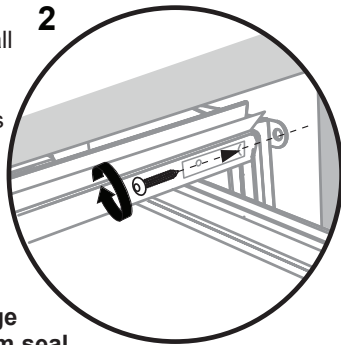
A3 SECURE TO THE SIDE CABINETRY - OPTION

Open the drawer halfway. Using a flat bladed screwdriver, pry the grey rubber plug out of the trim moulding.

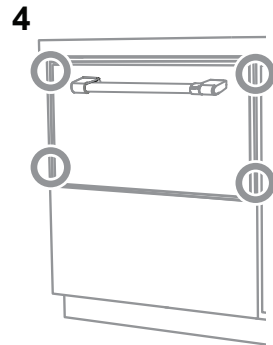


Replace the grey rubber plug back into the trim moulding and ensure the trim seal is facing forward.

Drill pilot holes and use a small Phillips screwdriver to drive screws through the trim moulding, securing the side mounting bracket to the cabinetry.

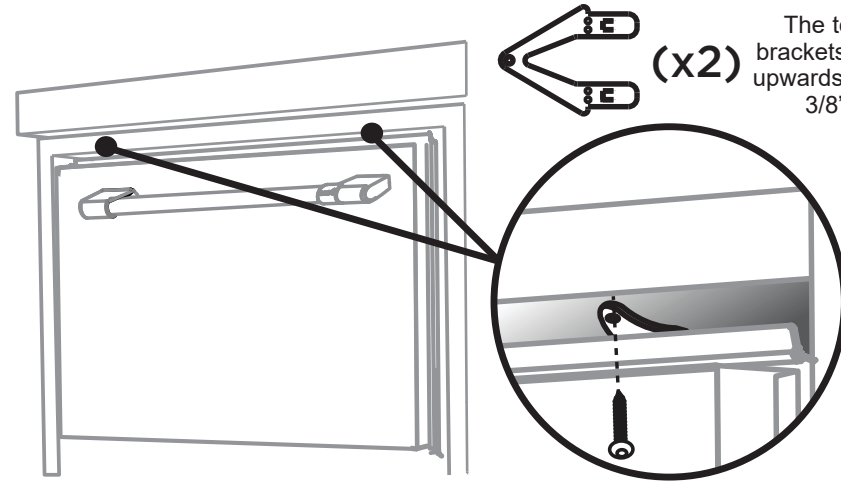


Do not damage the rubber trim seal.



Repeat for all four brackets.

SECURE TO THE ABOVE CABINETRY - OPTION

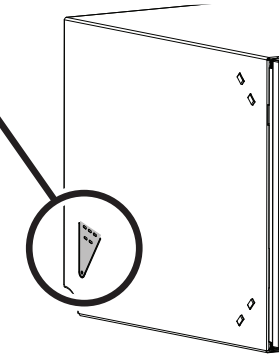


The top mounting brackets will only bend upwards a maximum of 3/8" (10 mm).

After securing to the above cabinetry, also secure the rear side mounting points.

On the inside, move the insulation to get to the side mounting points.

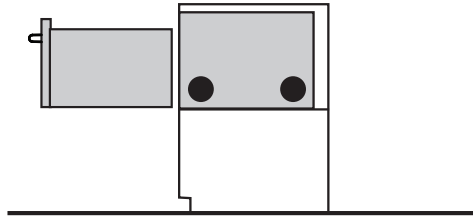
After securing to the side cabinetry, make sure the insulation is repositioned correctly back into place.



Installation Instructions

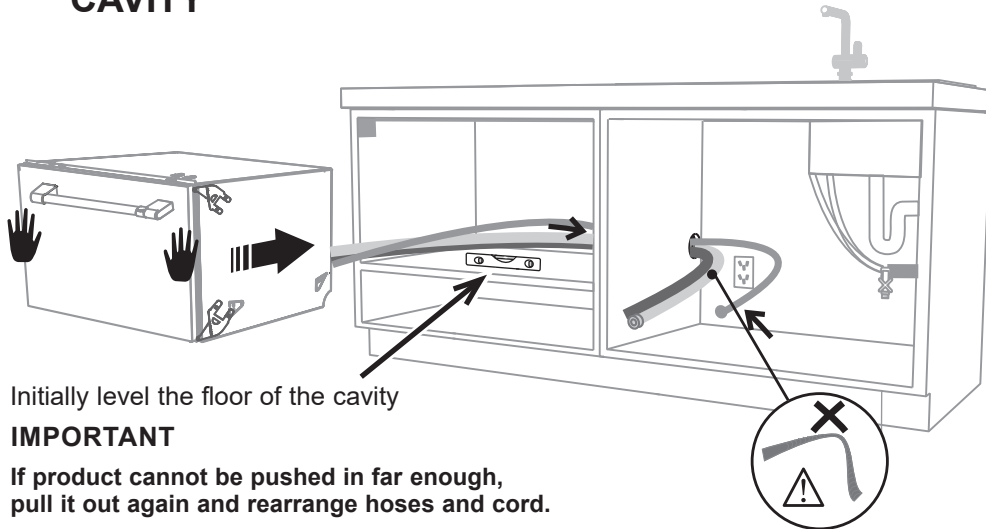
CHOOSE WHICH INSTALLATION METHOD A OR B (RECOMMENDED) IS MOST SUITABLE FOR YOUR CABINETRY

B RECOMMENDED METHOD (B) - SECURE BY REMOVING THE DISHWASHER DRAWER



OPTION B - RECOMMENDED METHOD

B1 PULL HOSES THROUGH AND PUSH UNIT INTO THE CAVITY



Initially level the floor of the cavity

IMPORTANT

If product cannot be pushed in far enough, pull it out again and rearrange hoses and cord.

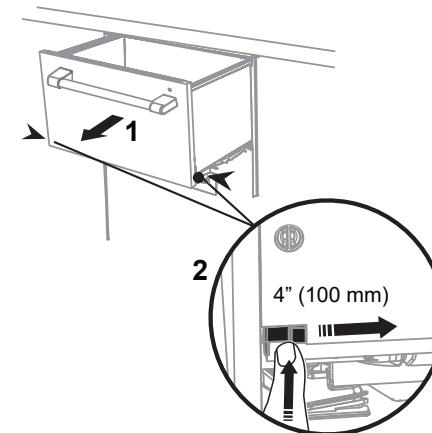
Do not use excessive force, as doing so may pinch the hoses and lead to incorrect operation.

As you push product in, pull through hoses and cord, ensuring they don't get kinked or twisted.

B2 REMOVE THE DISHWASHER DRAWER

In preparation of removing the dishwasher drawer, so as to not strain its rear connectors, place a sturdy box near the installation site to rest the drawer on after it is removed. Cover the box with a towel to provide a protective surface for the drawer to rest on.

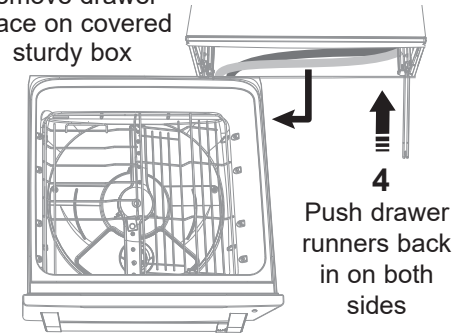
Pull the dishwasher drawer out until it stops.



Press the release tabs in on both sides and push them back to release drawer from its runners.

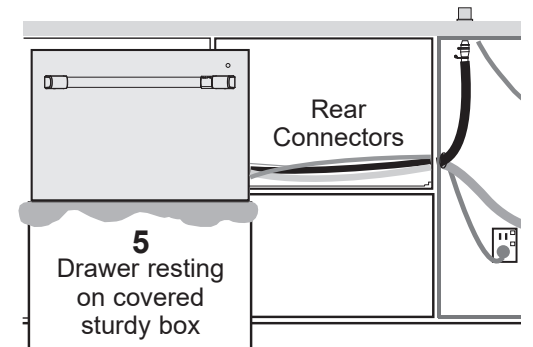
Lift the drawer off its runners and carefully place it **upright** on the covered sturdy box you had previously positioned nearby.

3 Remove drawer*
Place on covered sturdy box



4
Push drawer runners back in on both sides

*Do not move or rest the drawer too far to prevent strain on its rear connectors.



5
Drawer resting on covered sturdy box

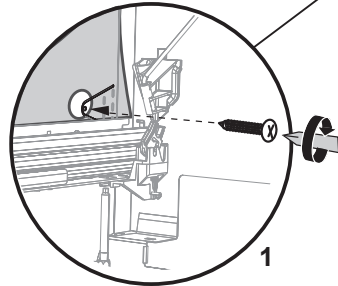
Installation Instructions

OPTION B - RECOMMENDED METHOD (CONTINUED)

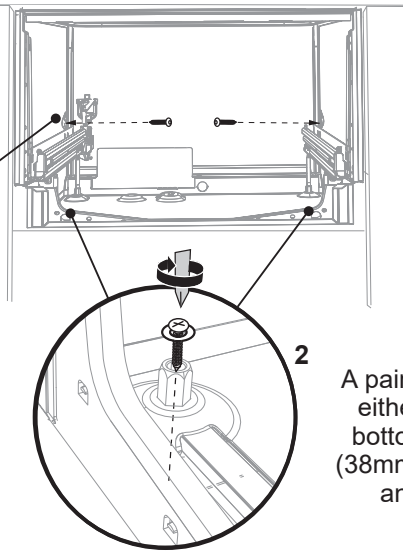
B3 SECURE TO THE SIDE CABINETRY

The product has three pairs of fixing points:

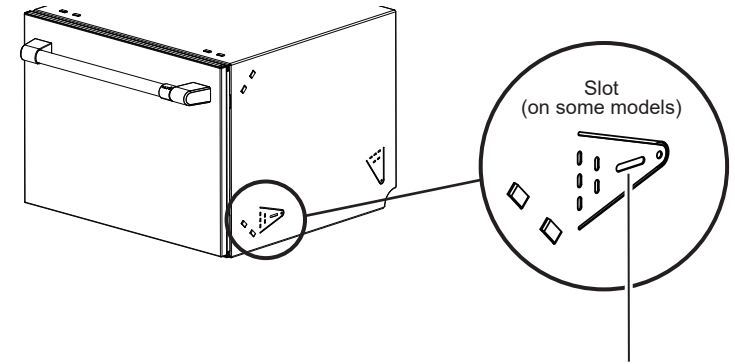
Ensure the sound insulation is repositioned correctly



Two pairs of formed brackets on either side of the chassis (use 5/8" (16mm) screws)

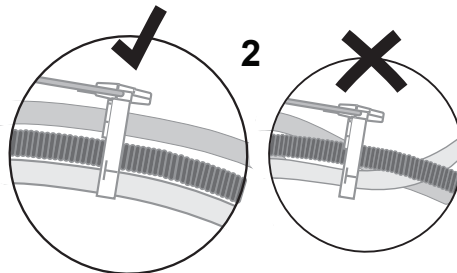


A pair of fixing holes either side on the bottom (use 1-1/2" (38mm) fixing screws and washers)



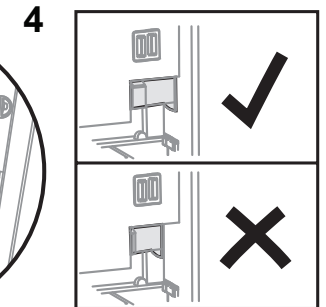
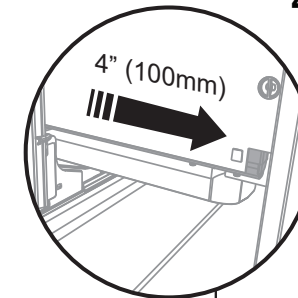
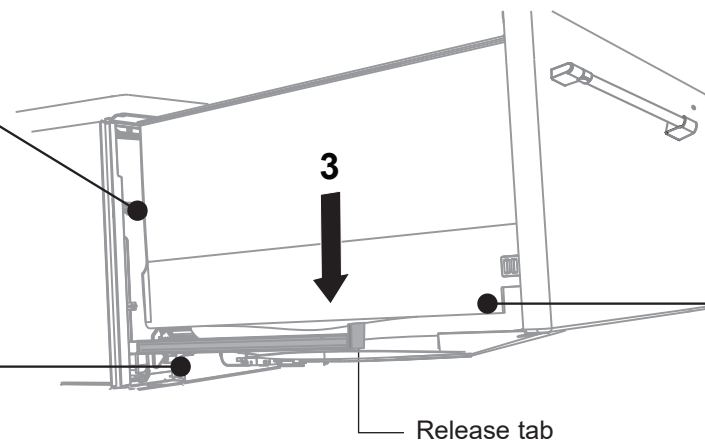
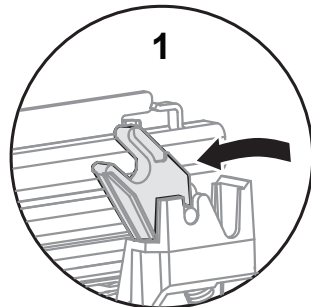
If your unit has this front mounting tab with the slot, it is beneficial to use a screw in the slot on each side first. Loosely screw the unit into place, replace the drawer and check the alignment. Correct any alignment issues, remove the drawer again, tighten the screws in the slots and then mount with screws in the rear tabs.

B4 REFIT THE DRAWER ONTO THE RUNNERS



Lift the drawer back onto the drawer runners on both sides.

Before refitting the drawer, ensure the hoses are not twisted and the latches at the rear of each drawer runner are facing forward.



Slip your finger under the slide and pull the release tabs forward 4" (100mm) on both sides. Ensure the tabs are fully pulled forward and click into place.

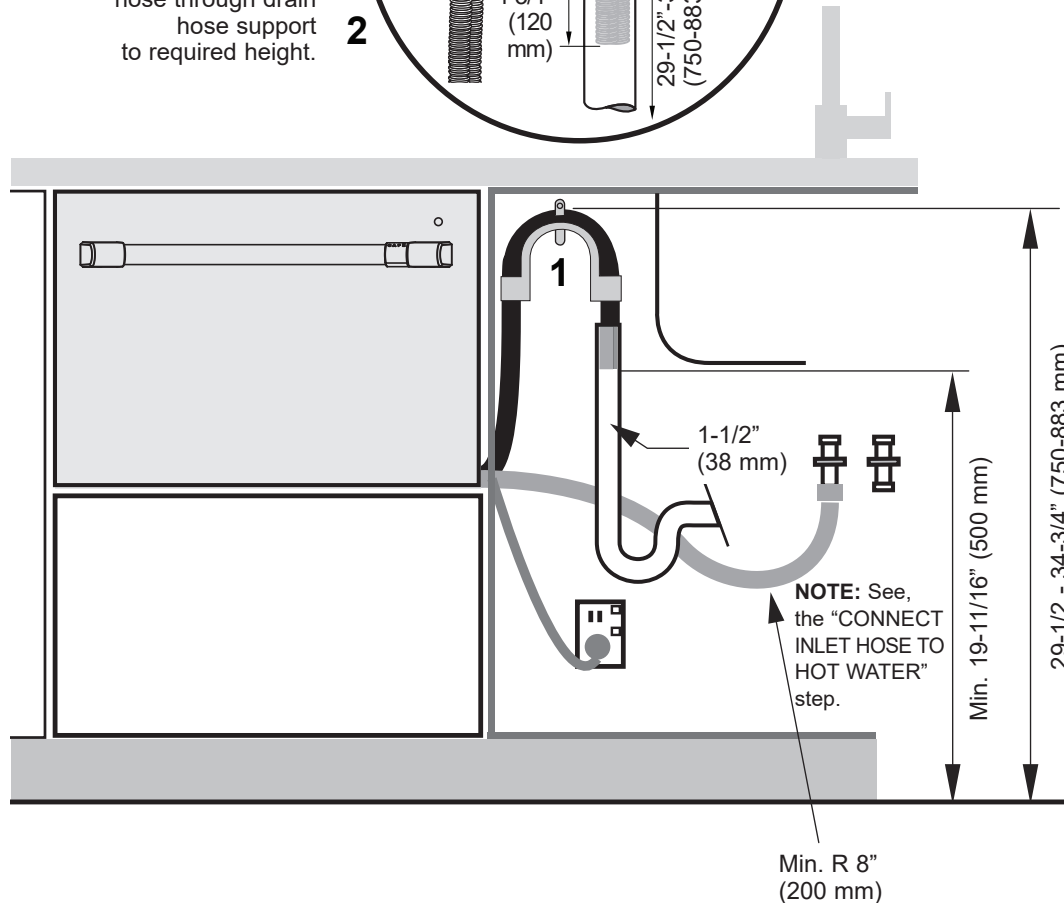
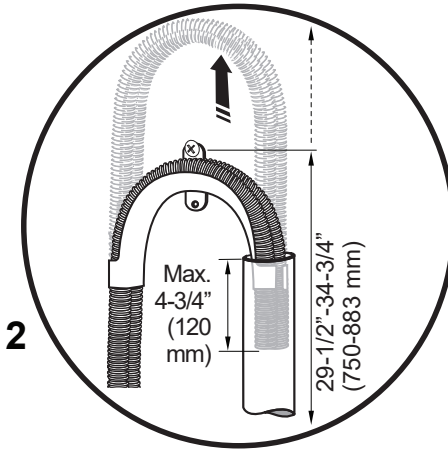
Installation Instructions

THERE ARE THREE DIFFERENT PLUMBING AND DRAINAGE OPTIONS - CHOOSE WHICH IS MOST SUITABLE

DRAINAGE OPTION 1 - Dishwasher and Ø 1-1/2" (38 mm) Standpipe

Screw Drain hose support to back wall at correct height.

If space is limited for fixing, push hose through drain hose support to required height.



IMPORTANT

Ensure that drain hose is installed as close to the underside of the countertop as possible. This will ensure no waste re-enters the drain hose in the event of poor flow or a blockage in the plumbing.

Ensure the drain hose does not extend into water retained in the trap; an air gap is required to prevent waste water from siphoning back into the tub.

IMPORTANT

Ensure that drain connection will comply with local plumbing regulations.

Installation Instructions

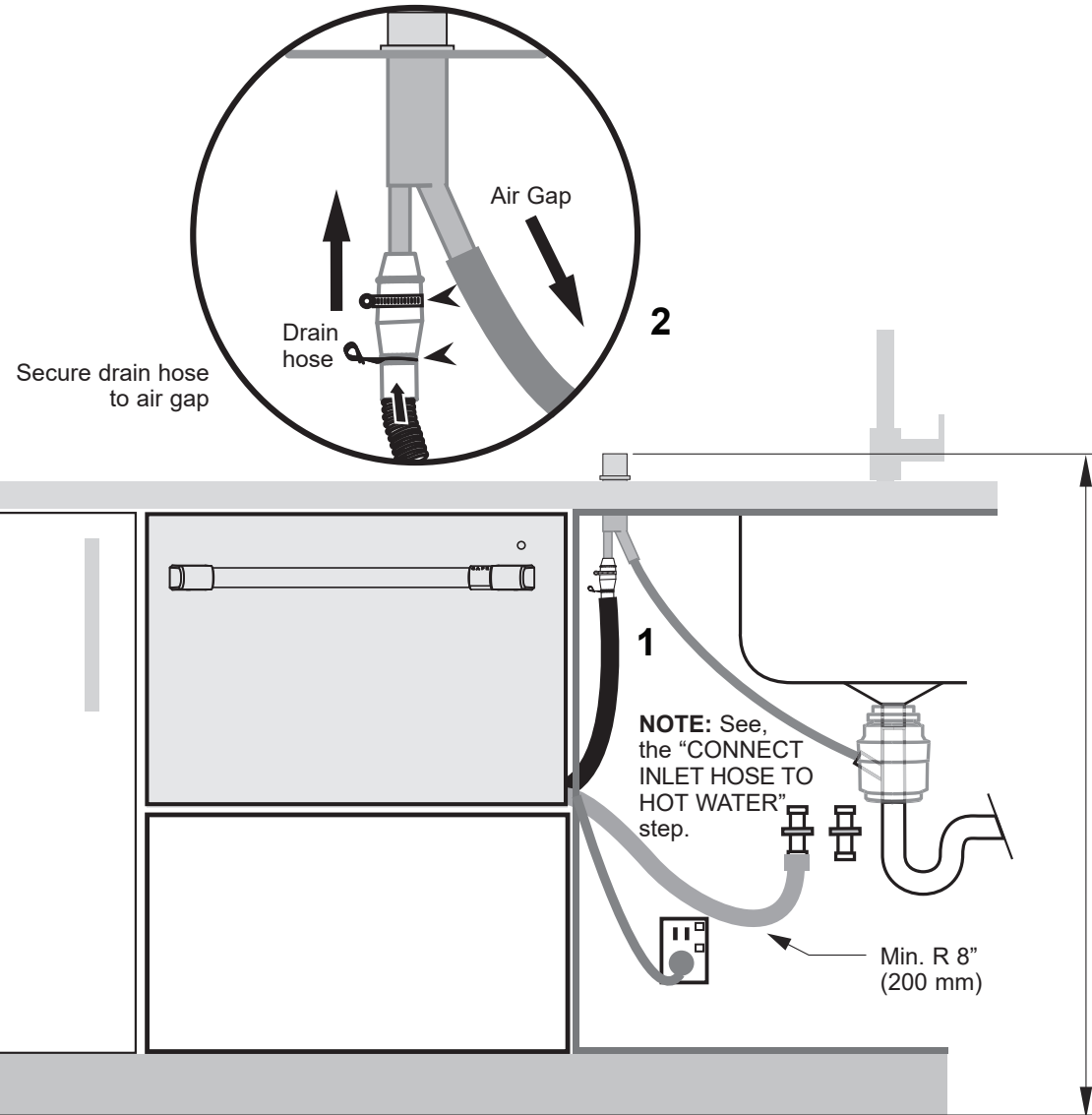
THERE ARE THREE DIFFERENT PLUMBING AND DRAINAGE OPTIONS - CHOOSE WHICH IS MOST SUITABLE

DRAINAGE OPTION 2 - Dishwasher using Air Gap with Drain Hose Joiner

IMPORTANT

We recommend the use of a commercially available Air Gap Kit.

When installing two single drawers, this provides totally separate draining for each drawer and eliminates possible cross draining problems



IMPORTANT

Ensure that drain connection will comply with local plumbing regulations.

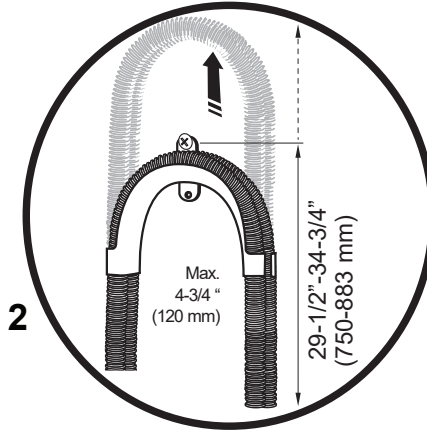
Installation Instructions

THERE ARE THREE DIFFERENT PLUMBING AND DRAINAGE OPTIONS - CHOOSE WHICH IS MOST SUITABLE

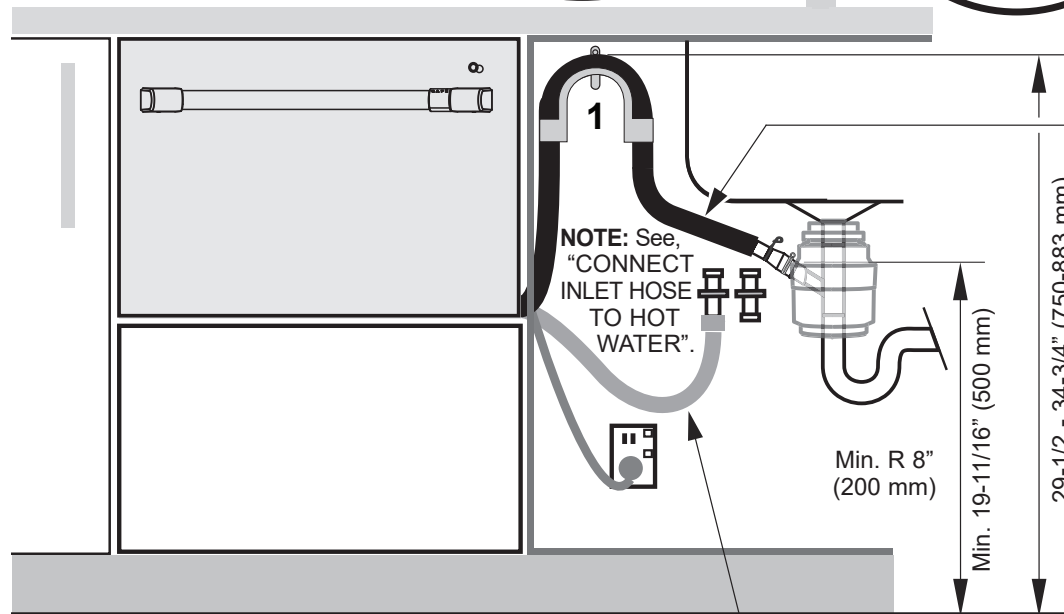
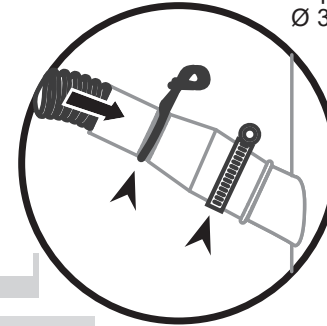
DRAINAGE OPTION 3 - Dishwasher using drain hose joiner onto sink trap/waste tee

Screw Drain hose support to back wall at correct height.

If space is limited for fixing, push hose through drain hose support to required height.



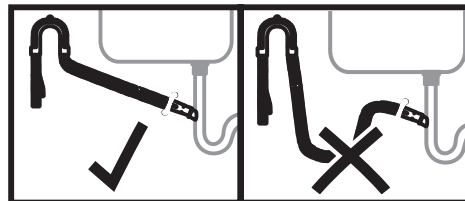
Supplied drain hose joiner to suit $\text{Ø } 3/4"$ (19 mm) waste tee



Ensure drain hose is routed straight to the joiner so that waste water does not accumulate in the hose. Remove excess drain hose material if necessary.

IMPORTANT

Ensure that drain connection will comply with local plumbing regulations.



Do not shorten the inlet hose.

Installation Instructions

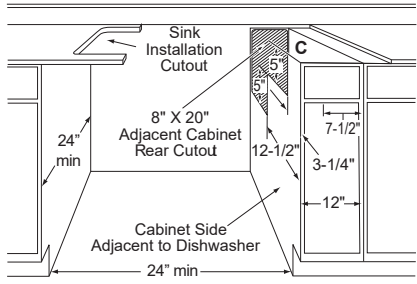
OPTIONAL - UNDER SINK INSTALLATION

UNDER SINK REQUIREMENTS AND DIMENSIONS

Under sink installation requires a base for the dishwasher drawer to rest on and be mounted to. It also requires side walls to be mounted to and a top filler face board of 10-1/4" Min. The base height can match your toekick height. If that is less than 6-1/16", the 10-1/4" filler face board will need to be increased by the same amount.

For example, if your toekick is a standard 4" height, the base would be built to 4" tall and to the face of the toekick. Then the filler face board would be 12-5/16". This lowers the dishwasher drawer slightly, but this would be a simple installation.

- The rough cabinet opening must be at least 24" deep, 24" wide and approx. 34-1/4" ± 1/4" height.
- This dishwasher fits under a special sink with a depth of 6" or less in a 1-1/2" countertop.
- The dishwasher must be installed so that drain hose is no more than 10' in length for proper drainage.
- The dishwasher must be fully enclosed on the top, sides and back, and must not support any part of the enclosure.
- The back wall should be free of pipes or wires.



ELECTRICAL CONNECTIONS TO DISHWASHER

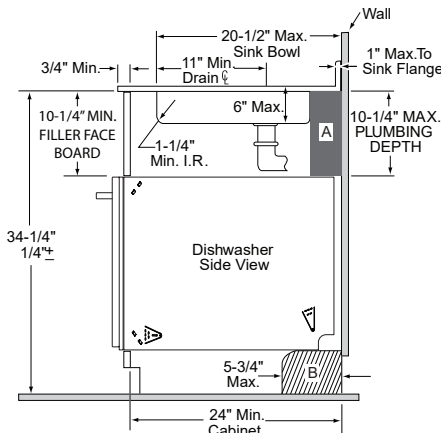
Electrical connection strain relief hole is on the rear left side of the dishwasher.

For direct connections, the cable must be routed as shown in the first section "**HARDWIRING PRIOR TO INSTALLATION**".

For power cord connections, install a 3-prong grounding type receptacle in the rear wall of the cabinet next to the dishwasher. The receptacle should be installed at least 6", but not more than 18" from the dishwasher cabinet.

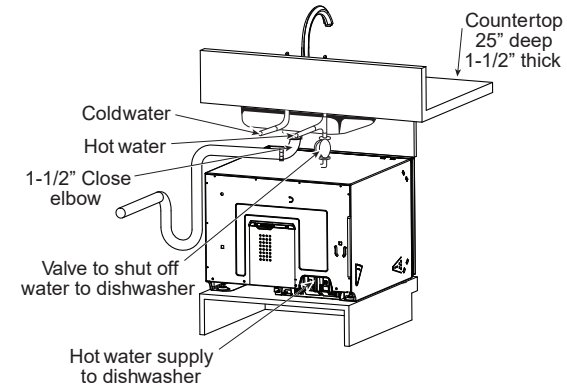
- Water line to sink faucet and drain from sink can be run through Area "A."
- Hot water line to dishwasher is installed in Area "B."
- Garbage disposer, water lines to faucet, waste trap, air gap and water shut-off valve are installed in a 12" wide cabinet, Area "C."
- Sink opening for garbage disposer must be dimensioned as shown (7-1/2") in Area "C." This will provide clearance for disposer and plumbing in Area "C" when using either single or double bowl sink.
- Adjacent cabinets should be square and plumb to ensure a good fit.

NOTE: A gap between the dishwasher front and the front of the base cabinet may result due to either the cabinet being less than 24" deep or the sink bowl not being installed to specifications. If the gap is more than 3/4", the sink bowl must be relocated to meet specified dimensions.

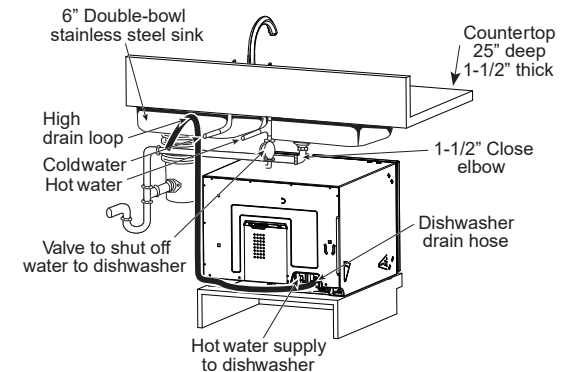


UNDER SINK UTILITY CONNECTIONS

- Sink faucet hot and cold water lines and the sink drain line must run above and adjacent to the dishwasher, not behind it. Refer to Areas A and C in Figure A on page 3 and Figure F1 below. This is necessary to provide clearance for the dishwasher when it is installed in the cabinet. Utility lines routed directly behind the dishwasher will interfere with placement of the dishwasher in the cabinet and cause it to extend beyond the adjacent cabinets.
- Figure illustrates an installation using a single bowl sink.



- Figure illustrates an installation using a double bowl sink, a disposer and a high drain loop.

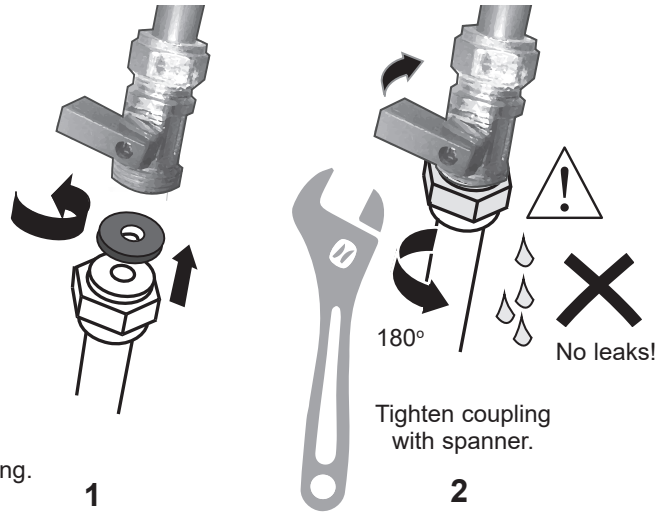


- Refer to this Installation Instructions for fill, drain and electrical connections.

Installation Instructions

CONNECT WATER AND SWITCH DISHWASHER ON

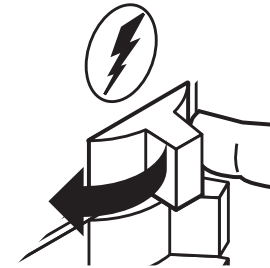
CONNECT INLET HOSE TO HOT WATER



Ensure the supplied rubber washer is fitted inside the coupling.

Tighten coupling with spanner.

SWITCH PRODUCT ON



TROUBLESHOOTING

- **Excessive water remaining above the filter plate, after the rinse cycle. (This is displayed as an A3 fault. See Owner's Manual, "How to attend to a fault".)**
Check for a kinked drain hose, blocked or incorrectly drilled out waste connection, highloop not properly installed, drain hose not routed correctly or spray arms not in place.
- **No water supply. (This is displayed as an A1 fault. See Owner's Manual, "How to attend to a fault".)**
Check water is connected and turned on.
- **The dishwasher is beeping continuously**
There is a fault. See Owner's Manual, "How to attend to a fault" for further information and instructions.
- **No program indicator lights up when the drawer is opened**
Ensure power is connected and is switched on. If it is and still no indicator lights up, see the "Preference Options" section of the **Quick Start Guide**.
An option called 'Open drawer auto power-on' may need to be turned on.
- **Water around water supply and drainage connections**
Check connections, existing plumbing and hoses for leaks. Check rubber washer and hose clamp are correctly fitted.
- **If product is tipping**
Ensure the product is secured to the cabinetry.
- **If front panels are misaligned**
Check and re-level product. Check the cabinetry is square. For Integrated models, check and adjust front panel alignment if necessary.
- **Drawer doesn't close properly**
Ensure nothing is obstructing the drawer from closing properly such as hoses or drawer latches.
- If a problem occurs, consult the 'Troubleshooting' section of the User guide.
- If after checking these points you still need assistance, please refer to the Owner's Manual for warranty details and your nearest Authorized Service Center, or contact us through our website, listed below.

Installation Instructions

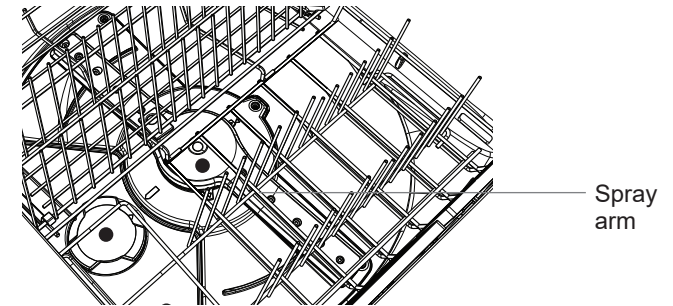
FINAL CHECKLIST

TO BE COMPLETED BY THE INSTALLER



- Check all parts are installed.
- Ensure that all panels and parts are secure and final electrical tests have been conducted in accordance with local electrical regulations.
- Ensure product is level, securely fastened to the cabinetry and opens and closes freely. The drawer must be free to fully close with no resistance from the cabinetry.
- Ensure inlet hose to water supply has supplied rubber washer fitted and that it is tightened a further half turn after seal contact.
- Ensure any knockouts or plugs in drain connection have been drilled out and drain connection has been made.
- The drain hose joiner must not support the weight of excess hose material. Keep drain hose as fully extended as possible to prevent sagging. Any excess length of drain hose should be kept on the dishwasher side of the highloop.
- If connecting the drain hose to the sink trap, ensure the highloop is a minimum 6" (150 mm) higher than the drain hose joiner.
- Ensure any packaging or tape securing the racks or spray arms is removed from the drawer.
- Water softener models only: adjust the water softener setting from the default setting to suit the water hardness of the area. See the **Quick Start Guide** and section "Water softener" in the **Owner's Manual**.

- Turn on the power and water supplies, then open the drawer. You should hear a beep and see a program indicator light up on the internal control panel.
- Check the spray arms are in place, mounted correctly and free to rotate, by physically rotating by hand.



- Add three cups of water into the drawer. Press >> until the indicator of the **Rinse** program lights up. Close the drawer and press ▶|| to start the program.
- After the **Rinse** program has finished, ensure the dishwasher has run and drained correctly.
- Check the water supply has correctly shut off and the drainage connection for leakage.

