

Installation Instructions

Range Hood Connection to Wall Switch

JVX3240, JVX3300, JVX5305 and JVX5365

If you have questions, call GE Appliances at 800.GE.CARES (800.432.2737).

BEFORE YOU BEGIN

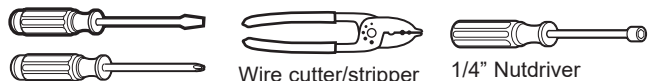
Read these instructions carefully and completely.

- **IMPORTANT** — Save these instructions for local inspector's use.
- **IMPORTANT** — Observe all governing codes and ordinances.
- **Note to Installer** – Be sure to leave these instructions with the consumer.
- **Note to Consumer** – Keep these instructions for future reference.
- Proper installation is the responsibility of the installer
- Product failure due to improper installation is not covered under the Warranty.

⚠ WARNING TO REDUCE THE RISK OF FIRE, ELECTRIC SHOCK OR INJURY TO PERSONS, OBSERVE THE FOLLOWING:

- A** Installation work and electrical wiring must be done by qualified person(s) in accordance with all applicable codes and standards, including fire-rated construction.
- B** When cutting or drilling into wall or ceiling, do not damage electrical wiring and other hidden utilities.

TOOLS NEEDED



Flat blade and Phillips
Head Screwdrivers

Wire cutter/stripper

1/4" Nutdriver

FOR YOUR SAFETY

⚠ WARNING Before beginning the installation, switch power off at service panel and lock the service disconnecting means to prevent power from being switched on accidentally. When the service disconnecting means cannot be locked, securely fasten a prominent warning device, such as a tag, to the service panel.

POWER SUPPLY

IMPORTANT – (Please read carefully)

⚠ WARNING FOR PERSONAL SAFETY, THIS APPLIANCE MUST BE PROPERLY GROUNDED.

Remove house fuse or open circuit breaker before beginning installation.

Do not use an extension cord or adapter plug with this appliance. Follow National Electrical Codes or prevailing local codes and ordinances.

Electrical supply

These vent hoods must be supplied with 120V, 60Hz, and connected to an individual, properly grounded branch circuit, and protected by a 15 or 20 amp circuit breaker or time delay fuse.

- Wiring must be 2 wire with ground.
- If the electrical supply does not meet the above requirements, call a licensed electrician before proceeding.
- Route house wiring as close to the installation location as possible in the ceiling or wall.
- Connect the wiring to the house wiring in accordance with local codes.

Grounding instructions

The grounding conductor must be connected to a ground metal, permanent wiring system, or an equipment-grounding terminal or lead on the hood.

⚠ WARNING The improper connection of the equipment-grounding conductor can result in a risk of electric shock. Check with a qualified electrician or service representative if you are in doubt whether the appliance is properly grounded.

Installation Instructions

Before getting started, check the wiring diagram number on your hood to make sure these install instructions apply to your model

CONNECTION METHOD FOR JVX3240 AND JVX3300

PARTS NEEDED

- 2-Position and 3-Position wall switches.
- Electrical wire to connect to wall switch in accordance with local codes.
- Wire nuts. Use appropriate wire nuts for size of the electrical wire.
- 18 gage white wire.

This connection method allows full control of the range hood using wall switches. However, the rocker switch on the range hood will be disconnected if this method is used for connection of range hood to wall switch.

Step 1: To establish connection of hood fan to wall switch, locate the hood junction box and remove its cover.

Step 2: Disconnect the **pink** wire in the junction box coming from the motor from the **red** wire coming from 3-position rocker switch on the range hood. Cap the **red** wire coming from 3-position rocker using appropriate size wire nut.

Step 3: Connect the **pink** wire in the junction box coming from the motor to a 3-position wall switch. This will allow control of high fan speed.

Step 4: Disconnect the **grey** wire in the junction box coming from the motor from the **black** wire coming from 3-position rocker switch on the range hood. Cap the **black** wire coming from 3-position rocker using appropriate size wire nut.

Step 5: Connect the **grey** wire in the junction box coming from the motor to a 3-position wall switch. This will allow control of low fan speed.

Step 6: Connect a **black** wire from hot on 3 position wall switch for fan to the **black** hot wire in the junction box.

Step 7: Disconnect the **orange** wire in the junction box from the **white** wire coming from the motor and cap the **orange** wire using appropriate size wire nut.

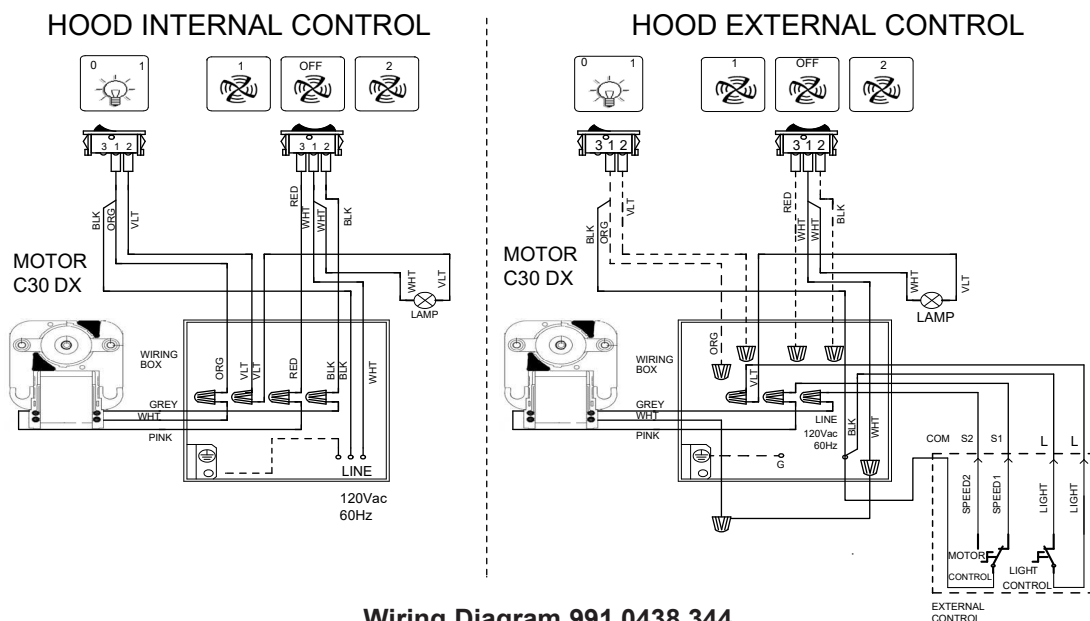
Step 8: Connect an 18 gage **white** wire to the white wire coming from the motor using appropriate size wire nut at one end. At the other end connect the 18 gage **white** wire to the neutral **white** wire in the junction box using appropriate size wire nut.

Step 9: To establish connection of hood lights to wall switch, connect a **black** wire from hot on 2 position wall switch for light to the **black** hot wire in the junction box.

Step 10: Disconnect the **violet** wire in the junction box coming from the lamps from the **violet** wire coming from 2 position rocker switch on the range hood. Cap the **violet** wire coming from 2 position rocker using appropriate size wire nut.

Step 11: Connect the **violet** wire in the junction box coming from the lamps to the 2 position wall switch.

Step 12: Re-install the junction box cover using the screws.



Wiring Diagram 991.0438.344

Installation Instructions

CONNECTION METHOD FOR JVX5305 AND JVX5365

PARTS NEEDED

- 2-Position wall switch - Qty (2).
- Electrical wire to connect to wall switch in accordance with local codes.
- Wire nuts. Use appropriate wire nuts for size of the electrical wire.
- 18 gage black wire.

This connection method allows switching fan and lights on or off on the range hood using wall switch only. The rocker switch on the range hood will function and must be kept in on position to allow control of range hood using wall switch. For fan, the wall switch will turn the fan to speed pre-selected on range hood rocker.

Step 1: To establish connection of hood fan to wall switch, locate the hood junction box and remove its cover.

Step 2: Remove the access panel in the hood to access the wiring attached to the range hood rockers.

Step 3: Connect the **black** wire in the junction box coming from the fan range hood rocker to 2 position wall switch.

Step 4: Run power to the 2 position wall switch to control the fan using wall switch.

Step 5: To establish connection of hood lights to wall switch, cut the **black** wire coming from the light range hood rocker to the middle connector on fan range hood rocker and cap the end attached to the fan range hood rocker using appropriate size wire nut.

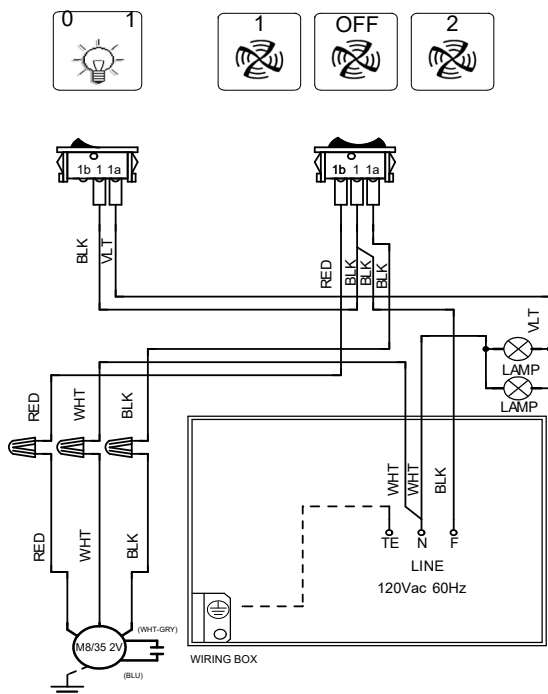
Step 6: Connect a **black** 24" min. length 18 gage wire to the **black** wire that was cut coming from the light range hood rocker using appropriate size wire nut. Run the **black** wire through the conduit into the junction box to make sure the wire is not exposed to any sharp edges.

Step 7: Connect the **black** wire added into the junction box to 2 position wall switch.

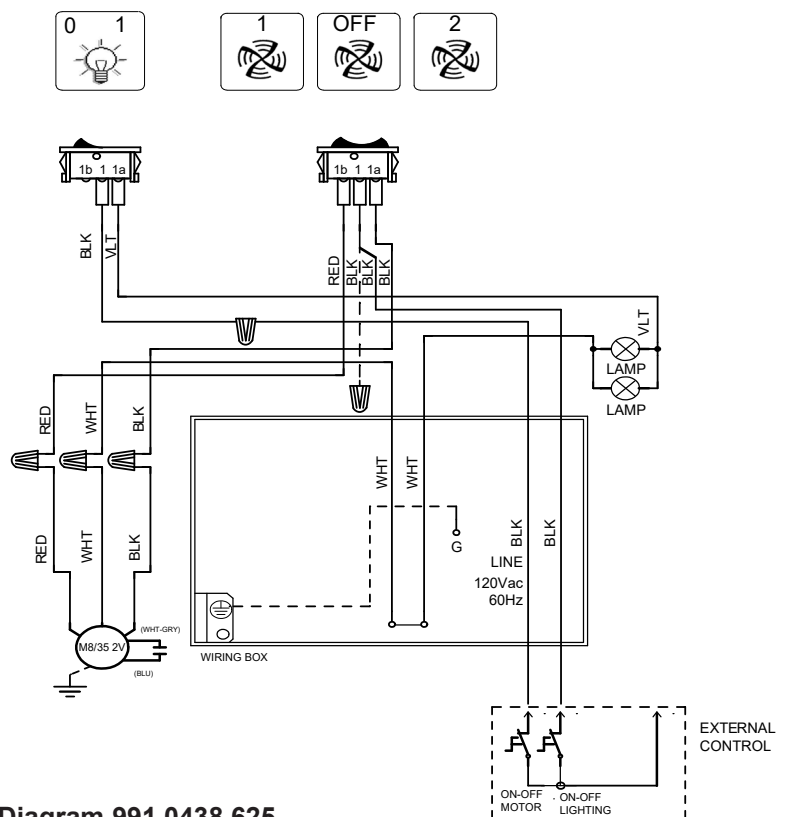
Step 8: Run power to the 2 position wall switch to control the lights using wall switch.

Step 9: Re-install the access panel and junction box cover using the screws.

HOOD INTERNAL CONTROL



HOOD EXTERNAL CONTROL



Wiring Diagram 991.0438.625

Notes
